

WIRING SYSTEM SECTION

WIRING SYSTEM

WI

This service manual has been prepared to provide SUBARU service personnel with the necessary information and data for the correct maintenance and repair of SUBARU vehicles.

This manual includes the procedures for maintenance, disassembling, reassembling, inspection and adjustment of components and diagnostics for guidance of experienced mechanics.

Please peruse and utilize this manual fully to ensure complete repair work for satisfying our customers by keeping their vehicle in optimum condition. When replacement of parts during repair work is needed, be sure to use SUBARU genuine parts.

All information, illustration and specifications contained in this manual are based on the latest product information available at the time of publication approval.

WIRING SYSTEM



	Page
1. Basic Diagnostic Procedure	3
2. Working Precautions	15
3. Power Supply Circuit	16
4. Ground Distribution Circuit	30
5. Airbag System	51
6. Air Conditioning System	59
7. Anti-lock Brake System	73
8. AT Control System	78
9. Audio System	116
10. CAN Communication System	124
11. Charging System	128
12. Clock System	129
13. Combination Meter	130
14. Cruise Control System	134
15. Coolant Temperature System	149
16. Engine Electrical System	150
17. Fuel Gauge System	239
18. Full Time Dual-range System	240
19. Front Accessory Power Supply Socket System	242
20. Headlight Beam Leveler System	243
21. Horn System	245
22. Immobilizer System	246
23. Keyless Entry System	248
24. Back-up Light System	257
25. Clearance Light and Illumination Light System	259
26. Front Fog Light System	267
27. Headlight System	269
28. Interior Light System	271
29. Rear Fog Light System	279
30. Stop Light System	281
31. Turn Signal Light and Hazard Light System	282
32. Navigation System	286
33. Oil Pressure Warning Light System	290
34. Parking Brake / Brake Fluid Level Warning Light System	291
35. Power Seat System	293
36. Power Window System	294
37. Radiator Fan System	302
38. Rear Window Defogger System	304
39. Remote Control Mirror System	306
40. Seat Belt Warning System	308
41. Seat Heater System	310
42. Starter System	312
43. Sunroof System	316

44.	Vehicle Dynamics Control System	318
45.	Front Wiper and Washer System	324
46.	Rear Wiper and Washer System.....	326
47.	Wiper Deicer System	328
48.	Alarm Control System	329
49.	Rear Accessory Power Supply System.....	330
50.	Harness Components Location.....	331
51.	Front Wiring Harness	335
52.	Bulkhead Wiring Harness (In Engine Compartment)	337
53.	Bulkhead Wiring Harness (In Compartment)	343
54.	Engine Wiring Harness and Transmission Cord	349
55.	Instrument Panel Wiring Harness	357
56.	Rear Wiring Harness	361
57.	Door Cord.....	367
58.	Rear Wiring Harness and Trunk Lid Cord	371
59.	Rear Wiring Harness and Rear Gate Cord	373

1. Basic Diagnostic Procedure

A: BASIC PROCEDURES

1. GENERAL DESCRIPTION

The most important purpose of diagnostics is to determine which part is malfunctioning quickly, to save time and labor.

2. IDENTIFICATION OF TROUBLE SYMPTOM

Determine what the problem is based on the symptom.

3. PROBABLE CAUSE OF TROUBLE

Look at the wiring diagram and check the system's circuit. Then check the switch, relay, fuse, ground, etc.

4. LOCATION AND REPAIR OF TROUBLE

- 1) Using the diagnostics, narrow down the causes.
- 2) If necessary, use a voltmeter, ohmmeter, etc.
- 3) Before replacing certain component parts (switch, relay, etc.), check the power supply, ground, for open wiring harness, poor connectors, etc. If no problem is encountered, check the component parts.

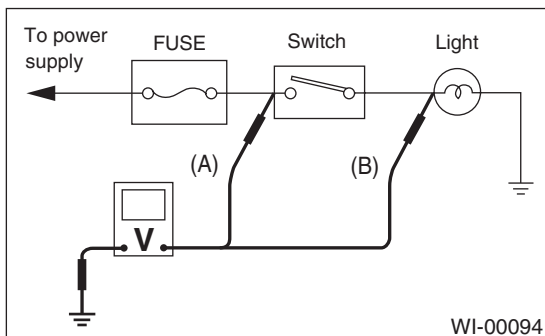
5. SYSTEM OPERATION CHECK

After repairing, ensure that the system operates properly.

B: BASIC INSPECTION

1. VOLTAGE MEASUREMENT

- 1) Using a voltmeter, connect the negative lead to a good ground point or negative battery terminal and the positive lead to the connector or component terminal.
- 2) Contact the positive lead of the voltmeter on connector (A). The voltmeter will indicate a voltage.
- 3) Shift the positive lead to connector (B). The voltmeter will indicate no voltage.



- 4) With the test set-up held as it is, turn the switch ON. The voltmeter will indicate a voltage and, at the same time, the light will come on.

- 5) The circuit is in good order. If a problem such as a light failing to illuminate occurs, use the procedures outlined above to track down the malfunction.

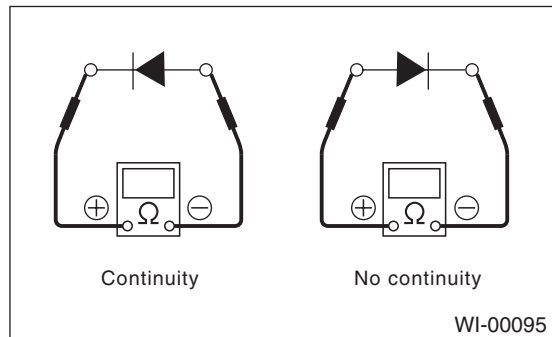
2. CIRCUIT CONTINUITY CHECKS

- 1) Disconnect the battery terminal or connector so there is no voltage between the check points. Contact the two leads of an ohmmeter to each of the check points.

If the circuit has diodes, reverse the two leads and check again.

- 2) Use an ohmmeter to check for diode continuity. When contacting the negative lead to the diode positive side and the positive lead to the negative side, there should be continuity.

When contacting the two leads in reverse, there should be no continuity.



- 3) Symbol "○ — ○" indicates that continuity exists between two points or terminals. For example, when a switch position is at "3", continuity exists among terminals 1, 3 and 6, as shown in the table below.

Terminal Switch Position	1	2	3	4	5	6
OFF						
1	○ — ○				○ — ○	
2	○ — ○			○ — ○		○ — ○
3	○ — ○		○ — ○			○ — ○
4	○ — ○	○ — ○				○ — ○

WI-00096

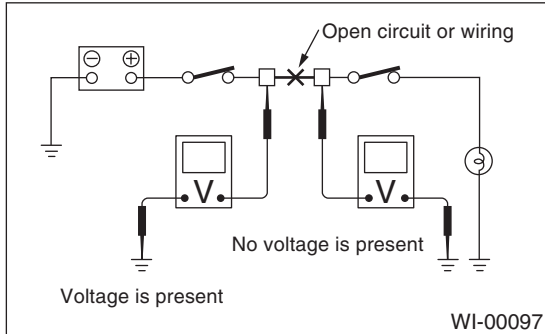
Basic Diagnostic Procedure

WIRING SYSTEM

3. HOW TO DETERMINE AN OPEN CIRCUIT

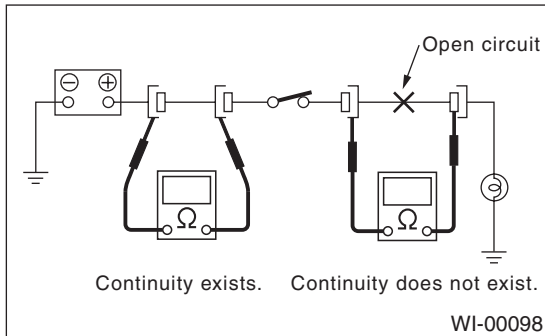
1) WITH VOLTMETER:

An open circuit is determined by measuring the voltage between respective connectors and ground using a voltmeter, starting with the connector closest to the power supply. The power supply must be turned ON so that current flows in the circuit. If voltage is not present between a particular connector and ground, the circuit between that connector and the previous connector is open.



2) WITH OHMMETER:

Disconnect all connectors affected, and check continuity in the wiring between adjacent connectors. When the ohmmeter indicates "infinite", the wiring is open.

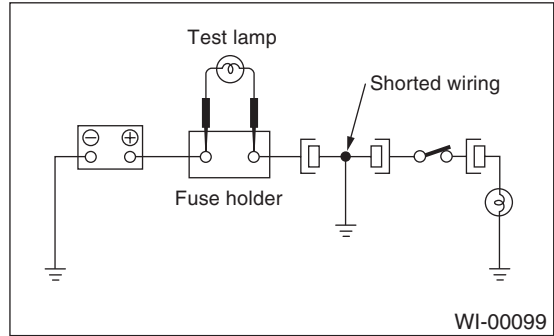


4. HOW TO DETERMINE A SHORT CIRCUIT

1) WITH TEST LIGHT:

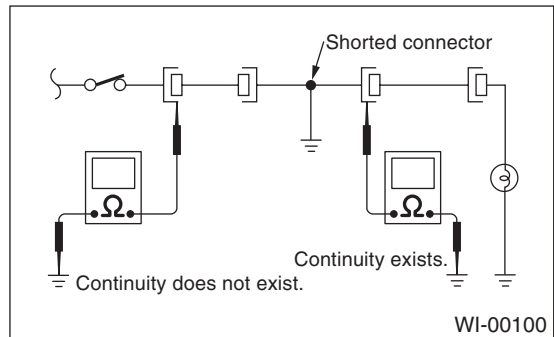
Connect a test light (rated at approx. 3 watts) in place of the blown fuse and allow current to flow through the circuit. Disconnect one connector at a time from the circuit. Starting with the one located farthest from the power supply. If the test light goes out when a connector is disconnected, the wiring

between that connector and the next connector (farther from the power supply) is shorted.



2) WITH OHMMETER:

Disconnect all affected connectors, and check continuity between each connector and ground. When the ohmmeter indicates continuity between a particular connector and a ground, that connector is shorted.



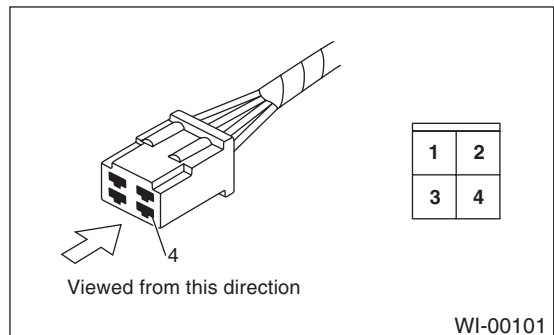
C: HOW TO READ WIRING DIAGRAMS

1. WIRING DIAGRAM

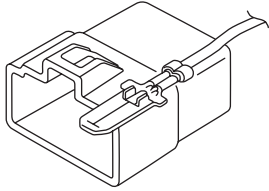
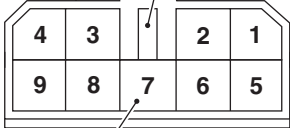
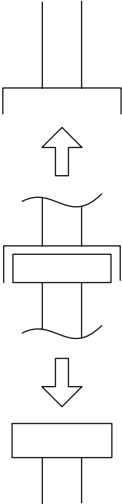
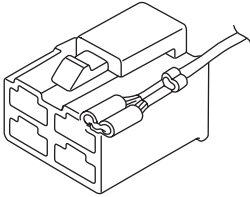

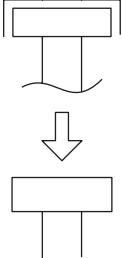
The wiring diagram of each system is illustrated so that you can understand the path through which the electric current flows from the battery.

Sketches and codes are used in the diagrams. They should read as follows:

- Each connector and its terminal position are indicated by a sketch of the connector in a disconnected state which is viewed from the front.

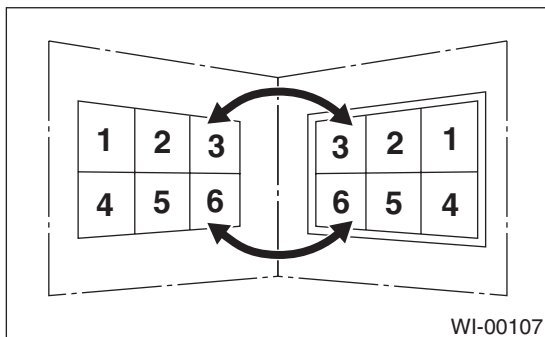


- The number of poles or pins, presence of a lock are indicated in the sketch of each connector. In the sketch, the highest pole number refers to the number of poles which the connector has. For example, the sketch of the connector shown in figure indicates the connector has 9 poles.

Connector used in vehicle	Connector shown in wiring diagram		
	Sketch	Symbol	Number of poles
	<p>Double frames</p>  <p>Indicates a lock is included.</p> <p>Indicates the number of poles.</p>		Numbered in order from upper right to lower left.
	<p>Indicates a lock is included.</p>  <p>Single frame</p>		Numbered in order from upper left to lower right

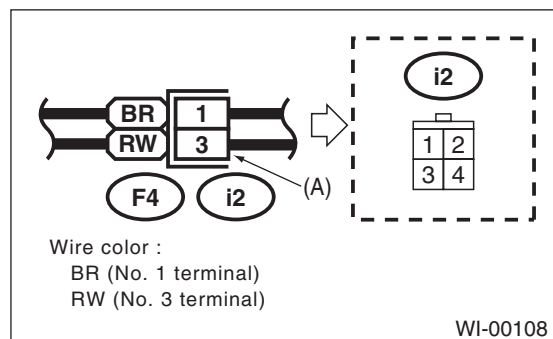
WI-00102

- When one set of connectors is viewed from the front side, the pole numbers of one connector are symmetrical to those of the other. When these two connectors are connected as a unit, the poles which have the same number are joined.



NOTE:

A wire which runs in one direction from a connector terminal sometimes may have a different color from that which runs in the other direction from that terminal.



• WIRING DIAGRAM:

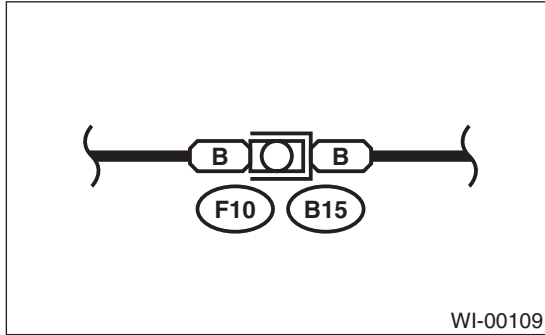
The connectors are numbered along with the number of poles, external colors, and mating connections in the accompanying list.

- The sketch of each connector in the wiring diagram usually shows the (A) side of the connector. The relationship between the wire color, terminal number and connector is described in the figure.

Basic Diagnostic Procedure

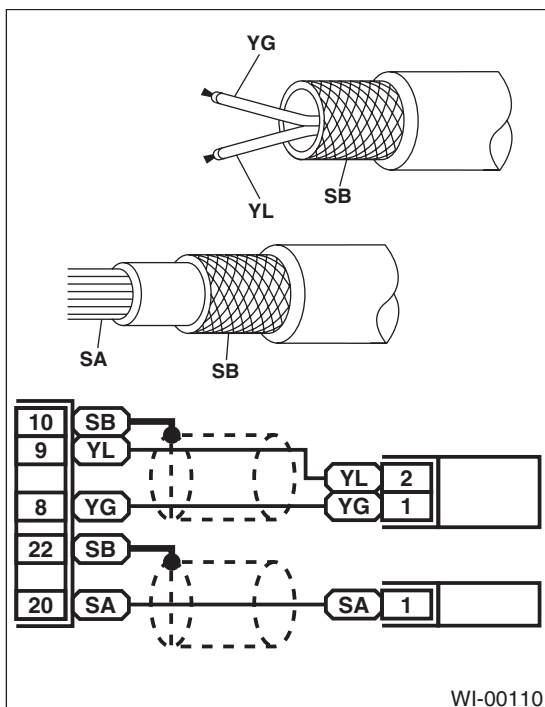
WIRING SYSTEM

- In the wiring diagram, connectors which have no terminal number refer to one-pole types. Sketches of these connectors are omitted intentionally.

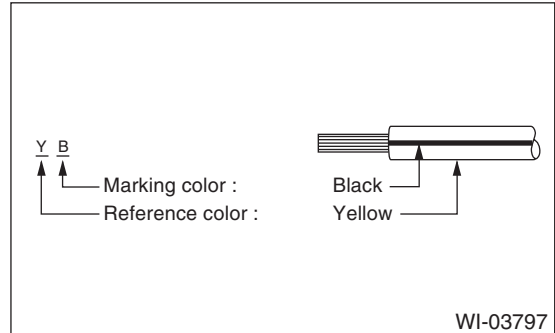


- The following color codes are used to indicate the colors of the wires.

Color code	Color
L	Blue
B	Black
Y	Yellow
G	Green
R	Red
W	White
Br	Brown
Lg	Light green
Gr	Gray
P	Pink
Or	Orange
Sb	Light blue
V	Purple
SA	Sealed (Inner)
SB	Sealed (Outer)



- The wire color code, which consists of two letters (or three letters including Br or Lg), indicates the standard color (base color of the wire covering) by its first letter and the stripe marking by its second letter.



- The table lists the nominal sectional areas and allowable currents of the wires.

CAUTION:

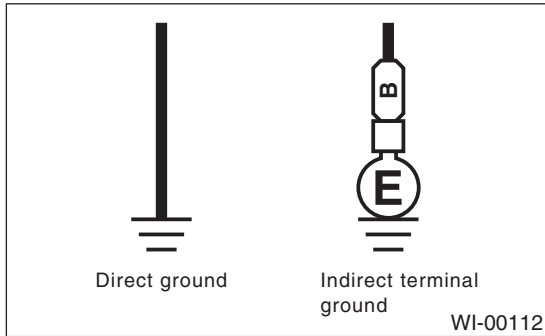
When replacing or repairing a wire, be sure to use the same size and type of the wire which was originally used.

NOTE:

- The allowable current in the table indicates the tolerable amperage of each wire at an ambient temperature of 40°C (104°F).
- The allowable current changes with ambient temperature. Also, it changes if a bundle of more than two wires is used.

Nominal sectional area mm ²	No. of strands/ strand diameter	Outside diameter of wiring mm	Allowable current Amps/ 40°C (104°F)
0.3	7/0.26	1.8	7
0.5	7/0.32	2.2 (or 2.0)	12
0.75	30/0.18	2.6 (or 2.4)	16
0.85	11/0.32	2.4 (or 2.2)	16
1.25	16/0.32	2.7 (or 2.5)	21
2	26/0.32	3.1 (or 2.9)	28
3	41/0.32	3.8 (or 3.6)	38
5	65/0.32	4.6 (or 4.4)	51
8	50/0.45	5.5	67

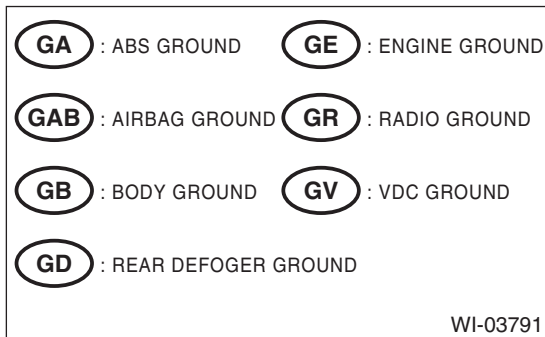
- Each unit is either directly grounded to the body or indirectly grounds through a harness ground terminal. Different symbols are used in the wiring diagram to identify the two grounding systems.



- The ground points shown in the wiring diagram refer to the following:

NOTE:

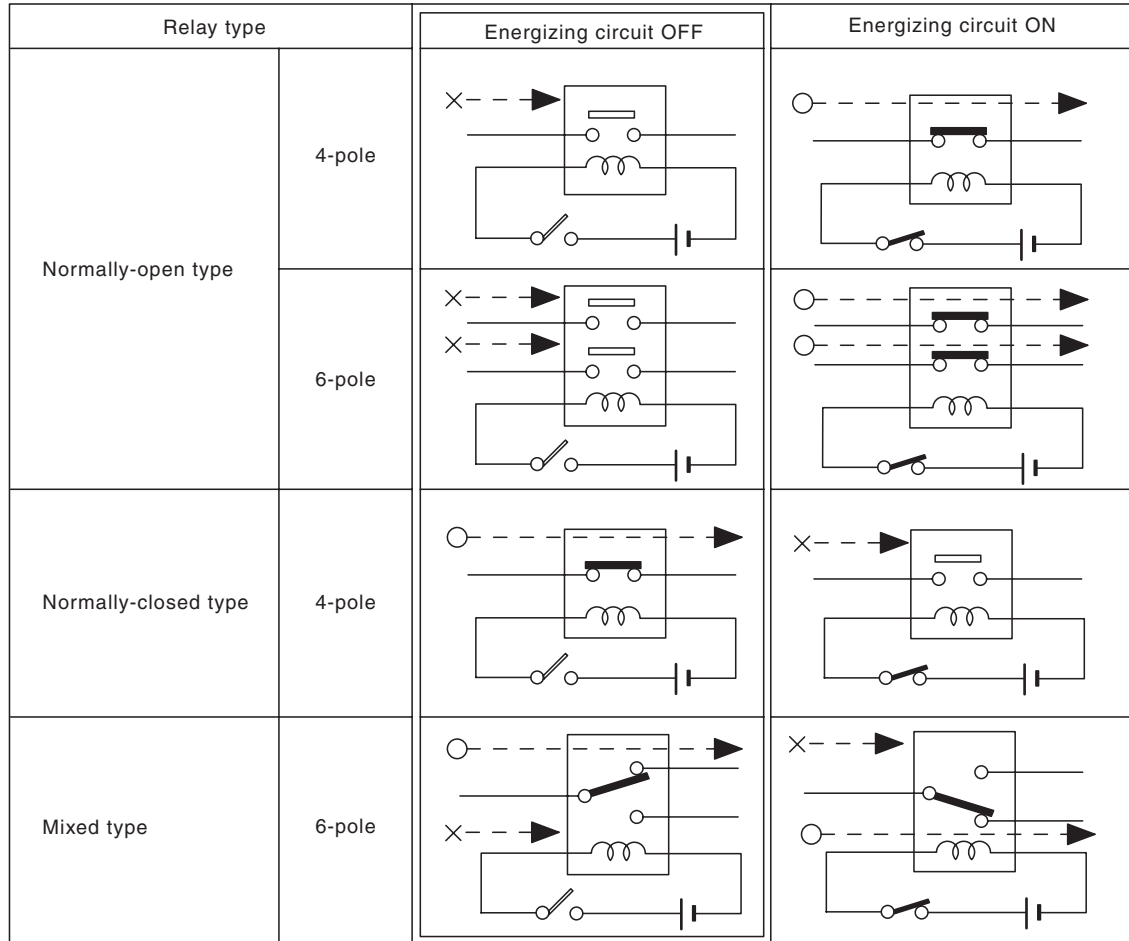
All wiring harnesses are provided with a ground point which should be securely connected.



Basic Diagnostic Procedure

WIRING SYSTEM

- Relays are classified as normally-open or normally-closed.
- The normally-closed relay has one or more contacts. The wiring diagram shows the relay mode when the energizing circuit is OFF.



Key to symbols:

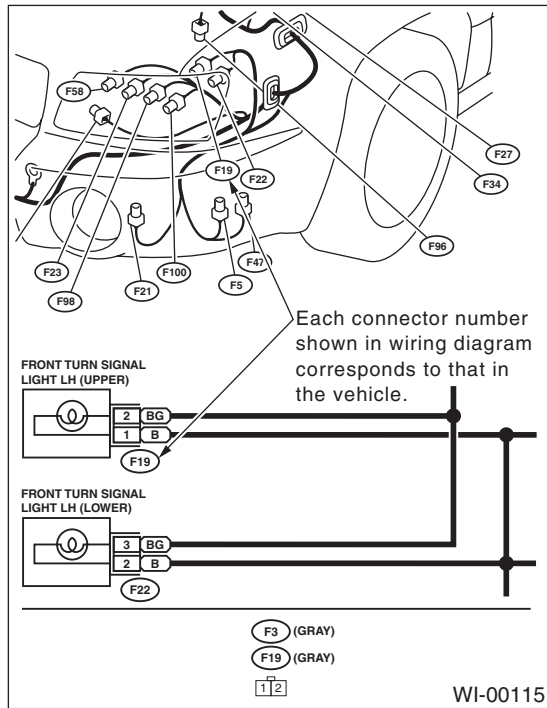
○ —▶ : Current flows.

× —▶ : Current does not flow.

WI-00114

- Each connector number shown in the wiring diagram corresponds to that in the wiring harness. The location of each connector in the actual vehicle is determined by reading the first character of the connector (for example, a “F” for F8, “i” for i16, etc.) and the type of wiring harness. The first character of each connector number corresponds to the area or system of the vehicle.

Symbol	Wiring harness and cord
F	Front wiring harness
B	Bulkhead wiring harness
E	Engine wiring harness
T	Transmission cord
D	Door cord LH & RH, Rear gate cord Rear door cord LH & RH, Rear defogger cord
i	Instrument panel wiring harness
R	Rear wiring harness, Fuel tank cord, Roof cord, Rear gate cord, Rear defogger ground cord (Sedan model)
AB	Airbag wiring harness

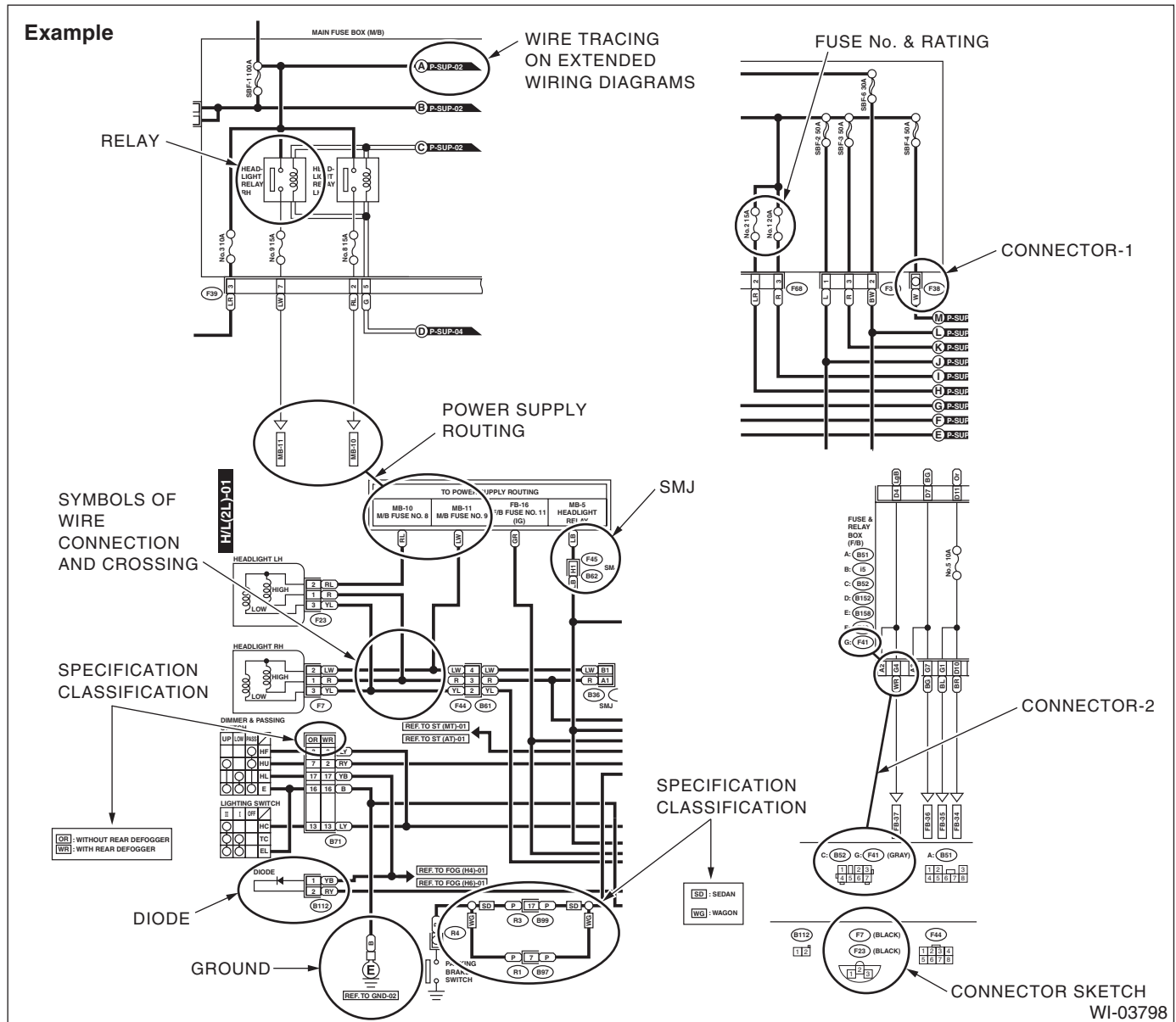


Basic Diagnostic Procedure

WIRING SYSTEM

D: SYMBOLS IN WIRING DIAGRAMS

A number of symbols are used in each wiring diagram to easily identify parts or circuits.



1. RELAY

A symbol used to indicate a relay.

2. CONNECTOR 1

The sketch of the connector indicates the one-pole types.

3. WIRING CONNECTION

Some wiring diagrams are indicated in foldouts for convenience. Wiring destinations are indicated where necessary by corresponding symbols. (When two pages are needed for clear indication)

4. FUSE No. & RATING

The "FUSE No. & RATING" corresponds with that used in the fuse box (main fuse box, fuse and joint box).

5. CONNECTOR 2

- Each connector is indicated by a symbol.
- Each terminal number is indicated in the corresponding wiring diagram in an abbreviated form.
- For example, terminal number "G4" refers to No. 4 terminal of connector (G: F41) shown in the connector sketch.

6. CONNECTOR SKETCH

- Each connector sketch clearly identifies the shape and color of a connector as well as terminal locations. Non-colored connectors are indicated in natural color.
- When more than two types of connector number are indicated in a connector sketch, it means that the same type connectors are used.

7. GROUND

Each grounding point can be located easily by referring to the corresponding wiring harness.

8. DIODE

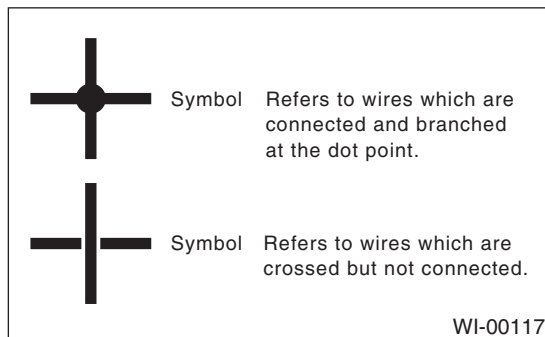
A symbol is used to indicate a diode.

9. WIRE TRACING ON EXTENDED WIRING DIAGRAMS

For a wiring diagram extending over at least two pages, a symbol (consisting of the same characters with arrows), facilitates wire tracing from one page to the next.

A ↔ A, B ↔ B

10. SYMBOLS OF WIRE CONNECTION AND CROSSING



11. DC POWER SUPPLY CIRCUIT

A symbol is used to indicate the power supply in each wiring diagram.

“MB-5”, “MB-6”, etc., which are used as power-supply symbols throughout the text, correspond with those shown in the “DC POWER SUPPLY CIRCUIT” in the wiring diagram.

Accordingly, using the “DC POWER SUPPLY CIRCUIT” and wiring diagrams permits service personnel to understand the entire electrical arrangement of a system.

12. CLASSIFICATION BY SPECIFICATION

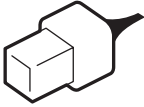
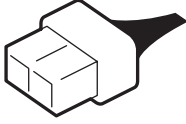
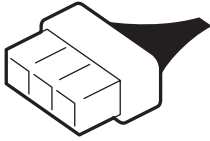

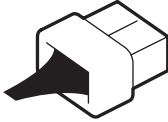
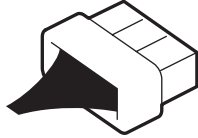
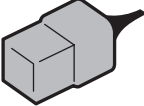
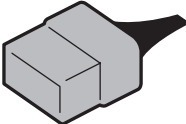
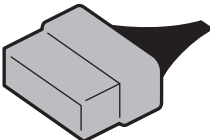


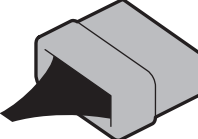
When the wiring diagram differ according to vehicle specifications, the specification difference is described by using abbreviations.






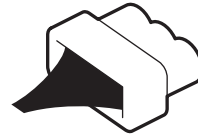


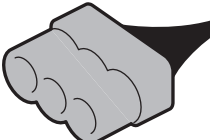


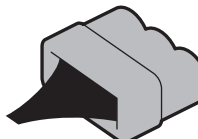
Basic Diagnostic Procedure

WIRING SYSTEM

E: CONNECTOR SYMBOL IN WIRING HARNESS

A number of connector symbols are used in each wiring diagram to easily identify the wiring harness connectors.

Standard type: Female		
Pole: From 1 to 8	Pole: From 9 to 20	Pole: More than 21
		
		
Standard type: Male		
		
		

Water proof type: Female		
Pole: From 1 to 8	Pole: From 9 to 20	Pole: More than 21
		
		
Water proof type: Male		
		
		

Basic Diagnostic Procedure

WIRING SYSTEM

F: ABBREVIATION IN WIRING DIAGRAMS

Abbr.	Full name
ABS	Antilock Brake System
ACC	Accessory
A/C	Air conditioner
AD	Auto Down
AT	Automatic transmission
AU	Auto Up
A/B	Airbag
A/F	Air/Fuel (Air fuel ratio sensor)
ATF	Automatic transmission fluid
AWD	All Wheel Drive
B, BAT	Battery
CPC	Canister Purge Control
D	Drive Range
DN	Down
E	Ground
ELR	Emergency Locking Retractor
F/B	Fuse & Relay box
FL1.5	Fusible Link 1.5 mm ²
H/L	Headlight
I/F	Interface
IG	Ignition
Illumi.	Illumination
INT	Intermittent
LH	Left Hand
Lo	Low
M	Motor
M/B	Main fuse box
MG	Magnet
Mi	Middle
MT	Manual transmission
N	Neutral Range
OCV	Oil flow control solenoid valve
OP	Optional Parts or Open
P	Parking Range
PASS	Passing
R	Reverse Range
RH	Right Hand
SBF	Slow Blow Fuse
ST	Starter
SW	Switch
TGV	Tumble generated valve
U, UP	Up
VDC	Vehicle Dynamics Control
VVL	Variable Valve Lift
WASH	Washer

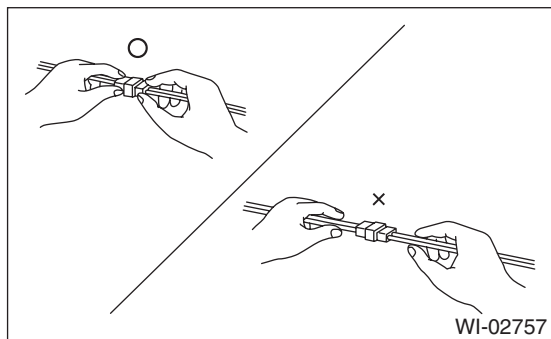
2. Working Precautions

A: PRECAUTIONS WHEN WORKING WITH THE PARTS MOUNTED ON THE VEHICLE

- 1) When working under a vehicle which is jacked-up, always be sure to use rigid rack.
- 2) The parking brake must always be applied during working. Also, in automatic transmission vehicles, keep the select lever set to the P (Parking) range.
- 3) Be sure the workshop is properly ventilated when running the engine. Further, be careful not to touch the belt or fan while the engine is operating.
- 4) Be careful not to touch hot metal parts, especially the radiator and exhaust system immediately after the engine has been turned off.

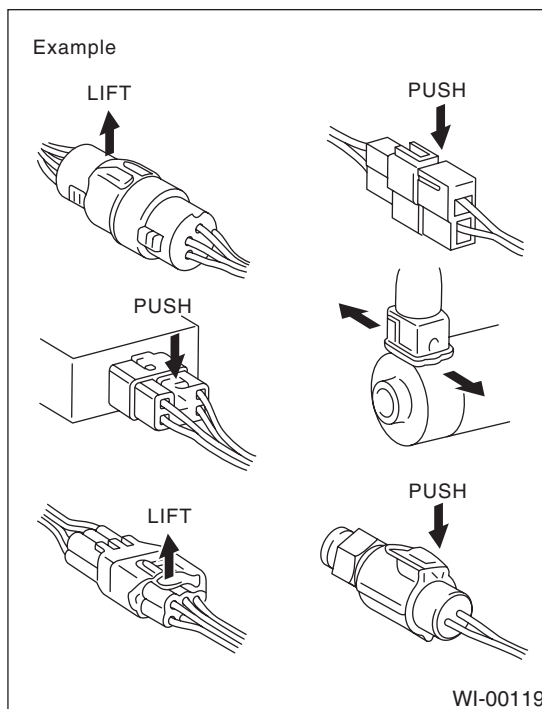
B: PRECAUTIONS IN TROUBLE DIAGNOSIS AND REPAIR OF ELECTRIC PARTS

- 1) The battery cable must be disconnected from the battery's (-) terminal, and the ignition switch must be set to the OFF position, unless otherwise required by the diagnostics.
- 2) Securely fasten the wiring harness with clamps and slips so that the harness does not interfere with the body end parts or edges and bolts or screws.
- 3) When installing parts, be careful not to catch them on the wiring harness.
- 4) When disconnecting a connector, do not pull the wires, but pull while holding the connector body.



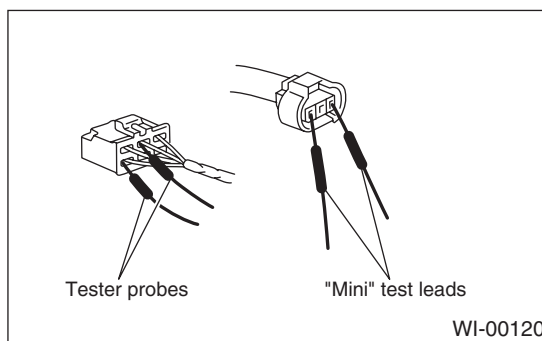
- 5) Some connectors are provided with a lock. One type of such a connector is disconnected by pushing the lock, and the other, by moving the lock up. In either type the lock shape must be identified before attempting to disconnect the connector.

To connect, insert the connector until it snaps and confirm that it is tightly connected.



- 6) When checking continuity between connector terminals, or measuring voltage across the terminal and ground, always contact tester probe(s) on terminals from the wiring connection side. If the probe is too thick to gain access to the terminal, use "mini" test leads.

To check water-proof connectors (which are not measurable from the wiring side), contact test probes on the terminal side. Be careful not to bend or damage the terminals.



- 7) Sensors, relays, electrical unit, etc., are sensitive to strong impacts. Handle them with care so that they are not dropped or mishandled.

Power Supply Circuit

WIRING SYSTEM

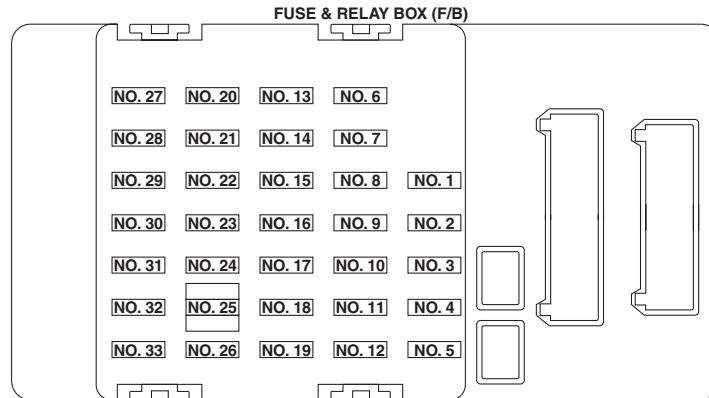
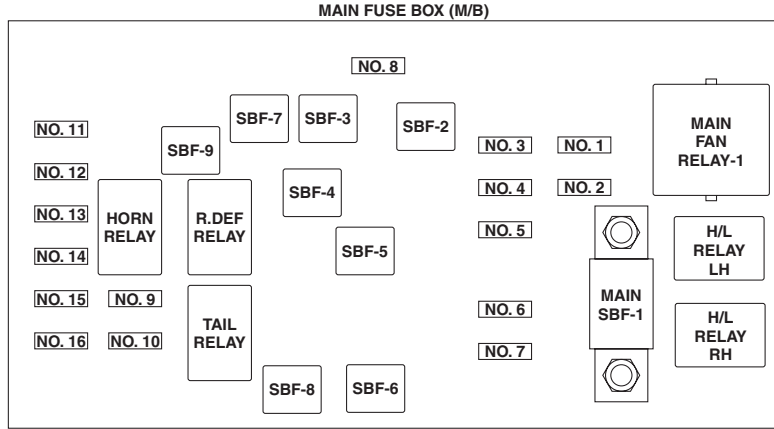
3. Power Supply Circuit

A: WIRING DIAGRAM

1. LHD MODEL

P-SUP(L)-01

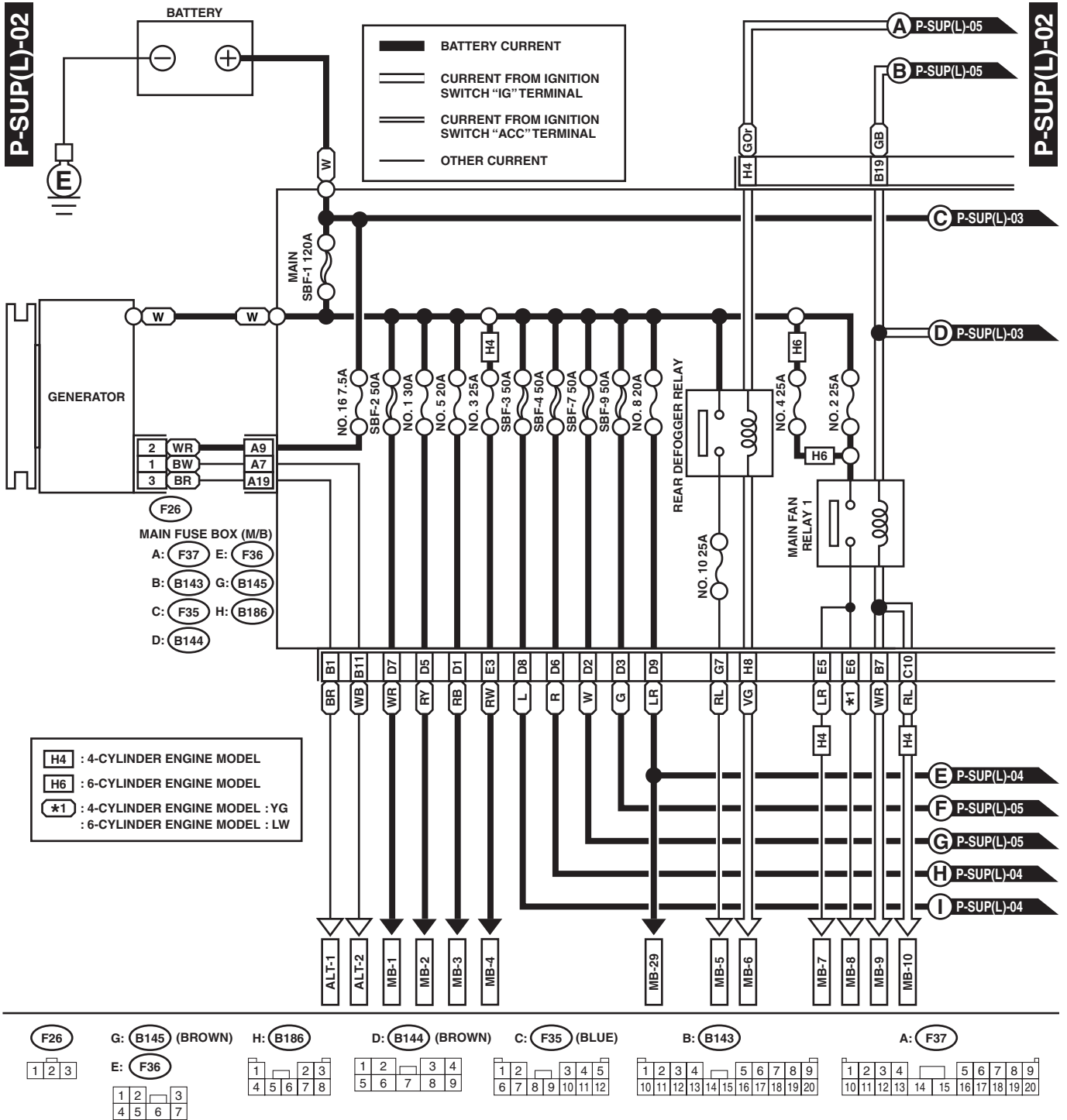
P-SUP(L)-01



WI-03895

Power Supply Circuit

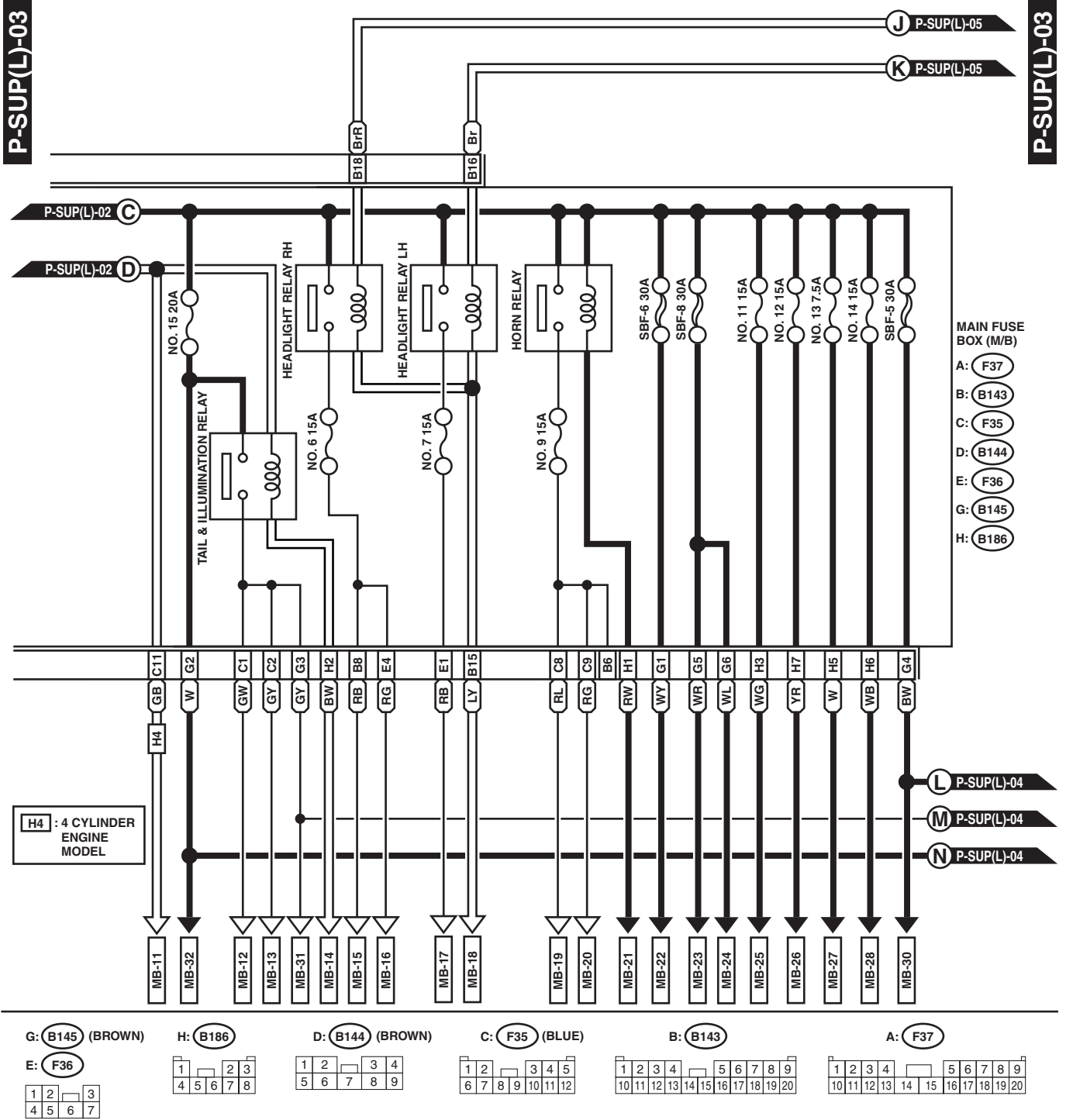
WIRING SYSTEM



WI-03896

Power Supply Circuit

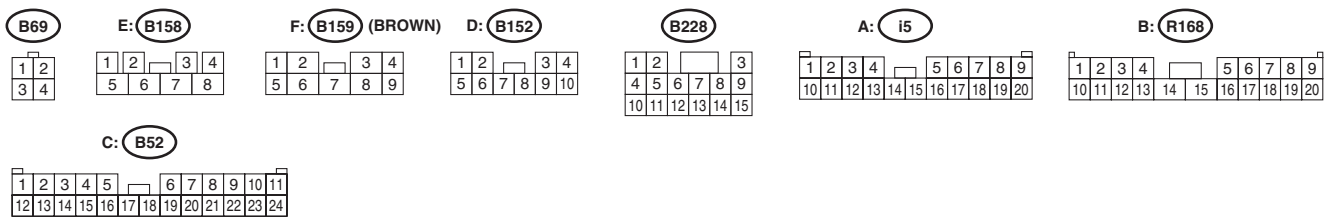
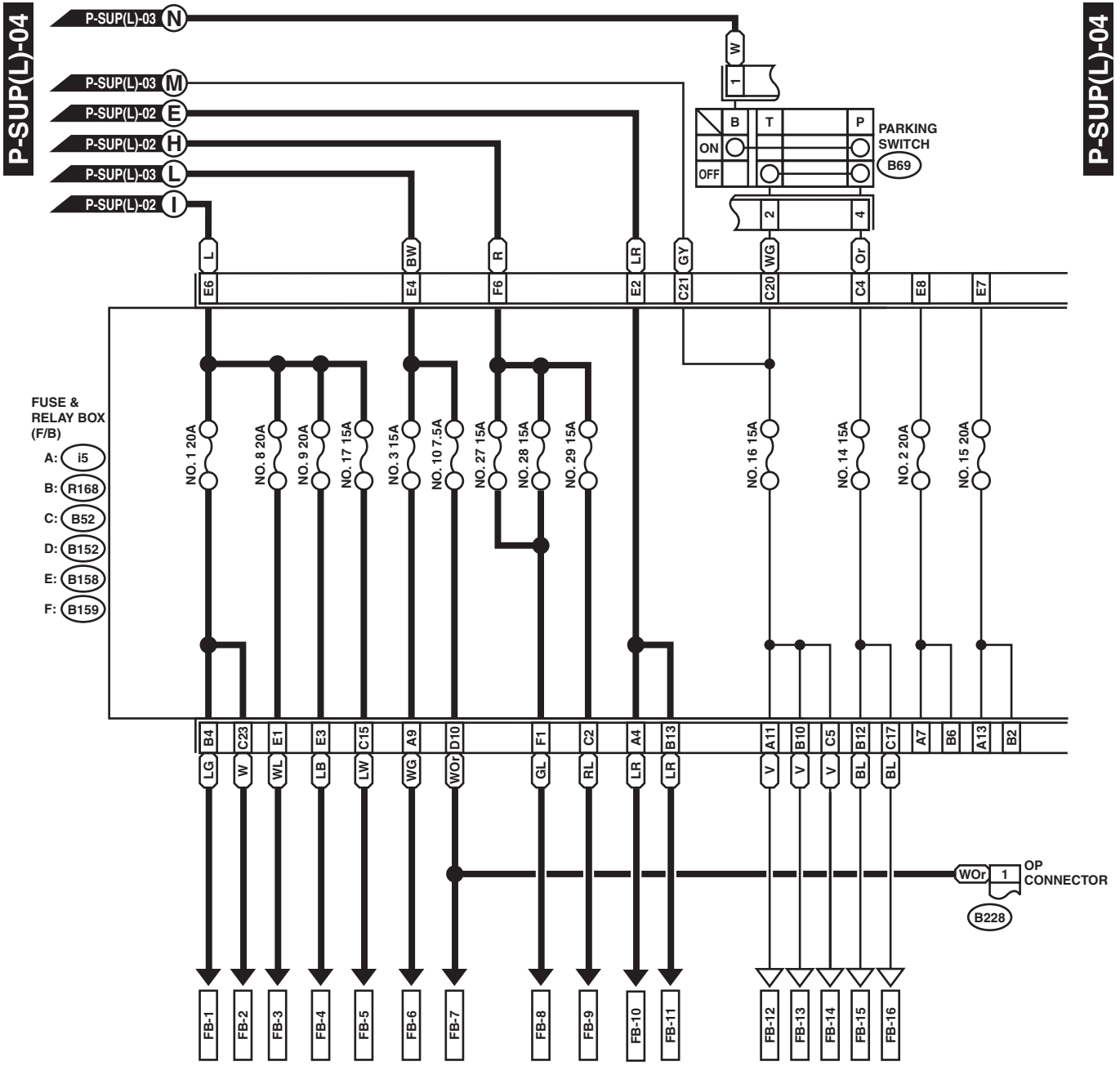
WIRING SYSTEM



WI-03897

Power Supply Circuit

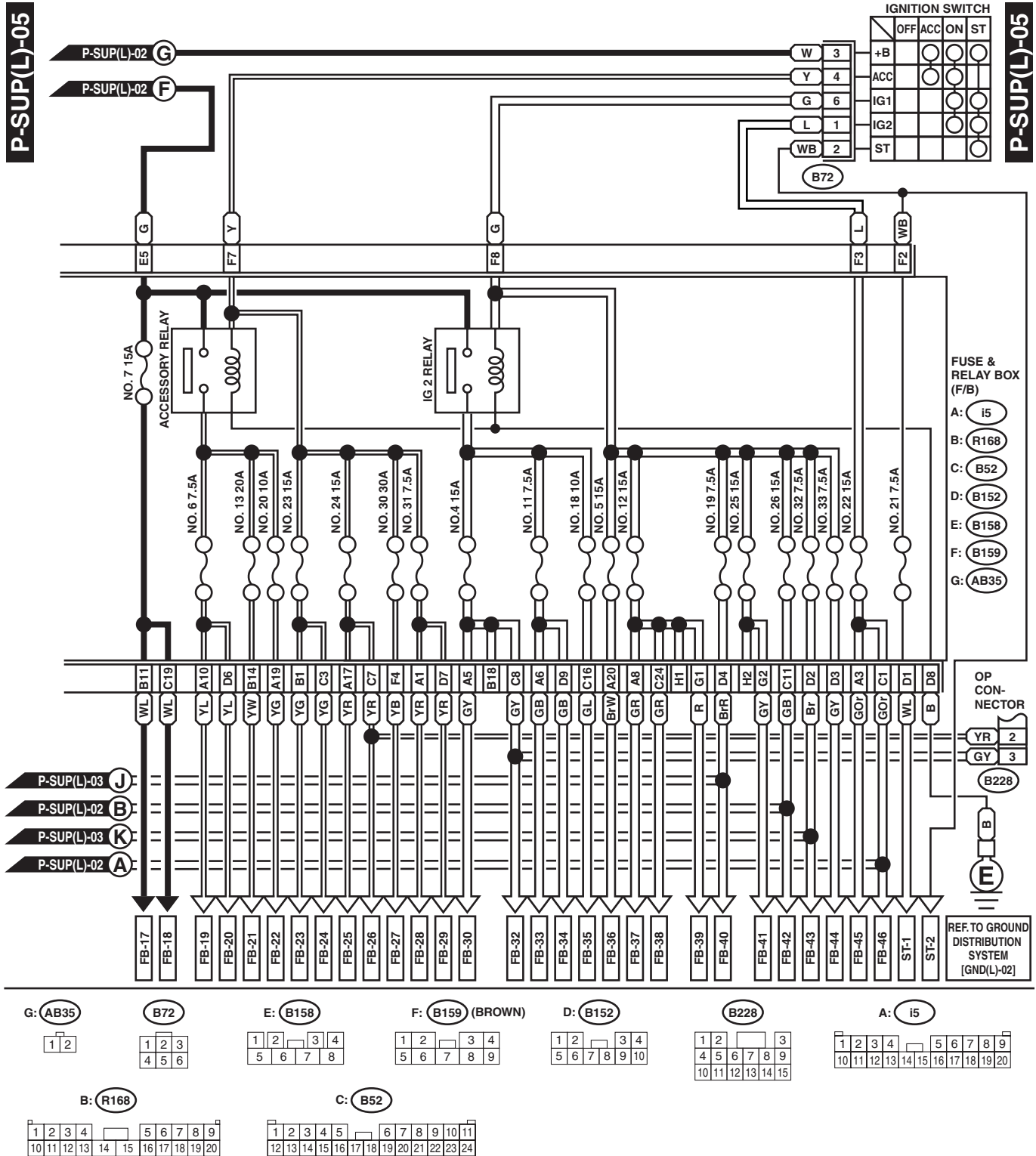
WIRING SYSTEM



WI-03898

Power Supply Circuit

WIRING SYSTEM



WI-03899

Power Supply Circuit

WIRING SYSTEM

No.	Load
MB-1	ABS control module VDC control module
MB-2	ABS control module VDC control module
MB-4	Sub fan relay
MB-5	Mirror heater relay Rear defogger
MB-6	Body integrated unit
MB-7	Main fan relay 2
MB-8	Main fan motor PWM controller
MB-9	ECM
MB-10	Main fan relay 2
MB-11	Main fan relay 2
MB-12	Headlight leveler LH
MB-13	Headlight leveler RH
MB-14	Lighting switch OP connector
MB-15	Body integrated unit Combination meter
MB-16	Headlight LH
MB-17	Headlight RH
MB-18	Dimmer/Passing switch Lighting diode OP connector
MB-19	Horn (HI)
MB-20	Horn (LO)
MB-21	Body integrated unit Horn switch
MB-22	Oxygen (A/F) sensor relay Main relay
MB-23	Oxygen (A/F) sensor relay Main relay Main relay 2
MB-24	Electronic throttle control relay
MB-25	Fuel pump relay
MB-26	TCM
MB-27	Data link connector ECM
MB-28	Body integrated unit Key switch illumination Key warning switch Turn signal and hazard unit
MB-29	Auto A/C control unit Body integrated unit Interior light Spot map light
MB-30	Power window circuit breaker
MB-31	F/B fuse No. 16 Headlight leveler switch Parking light switch
MB-32	Parking light switch
ALT-1	ECM
ALT-2	Combination meter OP connector

No.	Load
ST-1	ECM (AT) Starter relay
ST-2	Starter relay
FB-2	Rear fog light relay
FB-3	Stop light switch
FB-4	Mirror heater relay Wiper deicer relay
FB-5	Seat heater relay
FB-6	Body integrated unit
FB-8	Blower fan relay
FB-9	Front fog light relay
FB-10	Audio Clock Keyless entry control module Navigation unit Step light LH Step light RH TV monitor
FB-11	Luggage room light (Wagon model) Trunk room light (Sedan model)
FB-12	Clock
FB-13	Seat heater switch
FB-14	Front fog light relay Rear fog light relay OP connector
FB-17	Combination meter
FB-18	Body integrated unit LAN unit
FB-19	Remote controlled mirror switch
FB-20	Seat heater relay Vanity mirror illumination LH Vanity mirror illumination RH
FB-21	Luggage room power socket Seat heater switch
FB-22	Front accessory power supply socket
FB-23	Rear wiper motor
FB-24	Body integrated unit Rear washer motor
FB-25	Audio Clock Distributor Navigation unit TV monitor Front washer motor
FB-26	OP connector
FB-27	Front wiper motor Front wiper switch Front washer motor
FB-28	Body integrated unit A/C control panel
FB-29	Auto A/C control unit TCM
FB-30	TV monitor

Power Supply Circuit

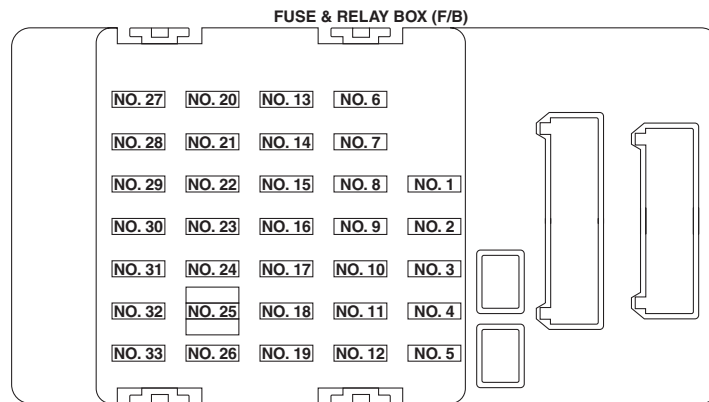
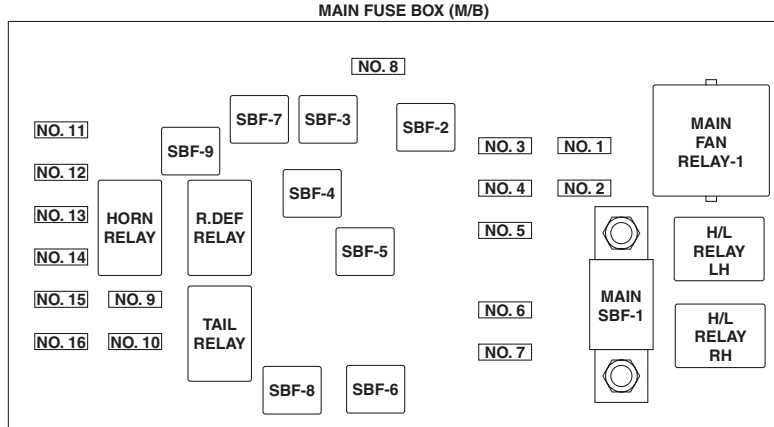
WIRING SYSTEM

No.	Load
FB-32	Brake switch Clutch switch (MT/Cruise) ECM OP connector Line end check connector Seat belt warning light Sunroof control unit Sunroof switch Wiper deicer relay
FB-33	Clock
FB-34	Turn signal and hazard unit
FB-35	Back-up light relay (5-speed AT model) Back-up light switch (MT model) Inhibitor switch (4-speed AT model)
FB-36	Combination meter
FB-37	Body integrated unit
FB-38	ECM Fuel pump relay Ignition coil & ignitor P-VIGN relay Rear vehicle speed sensor (4-speed AT model) TCM
FB-39	Airbag control module
FB-41	Airbag control module
FB-42	Power window relay
FB-44	ABS control module VDC control module
FB-45	A/C control panel
FB-46	A/C relay Auto A/C control module Blower fan relay FRESH/RECIRC actuator Mode actuator Pressure switch Sub fan relay Heater cock solenoid

2. RHD MODEL

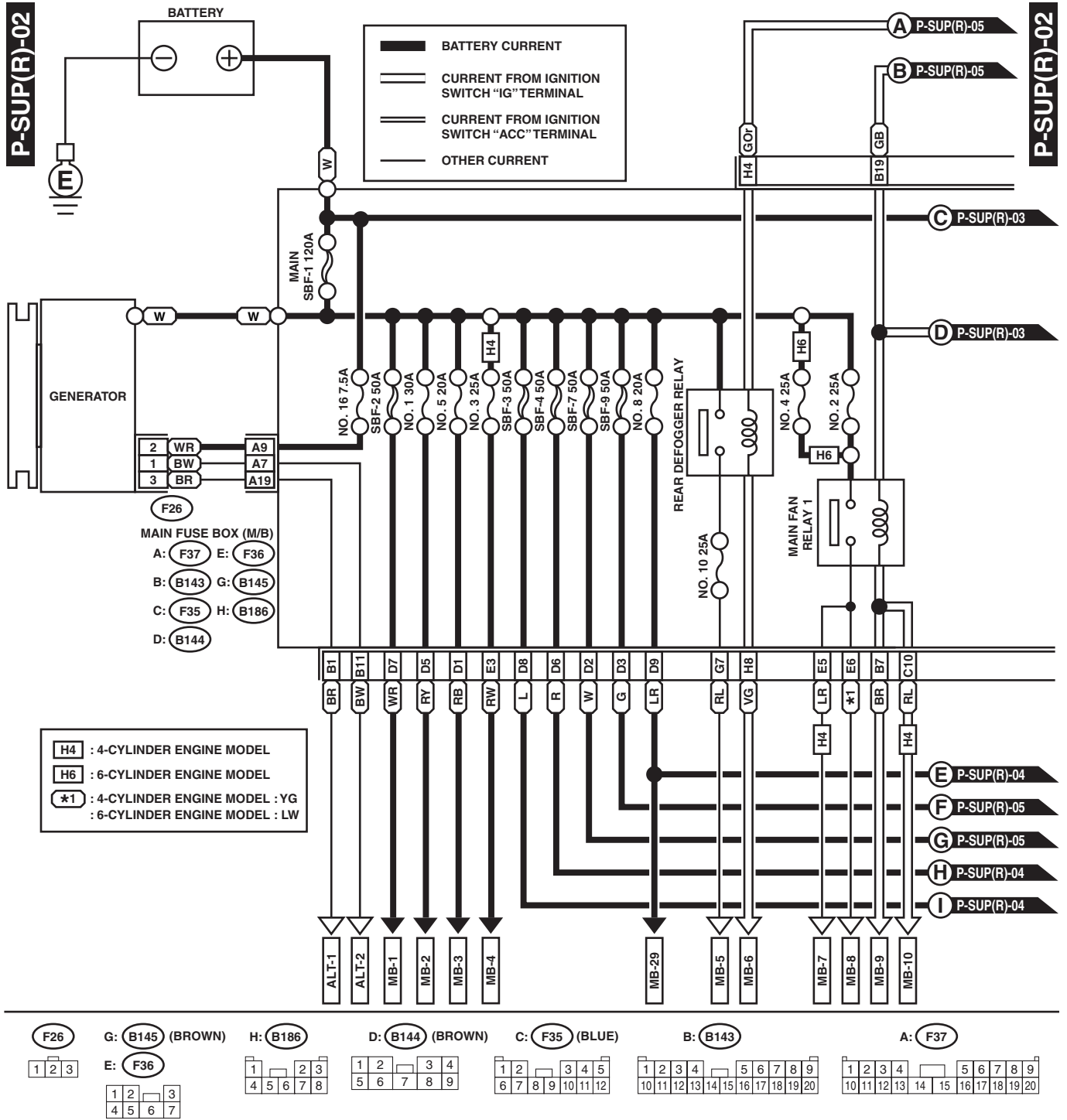
P-SUP(R)-01

P-SUP(R)-01



Power Supply Circuit

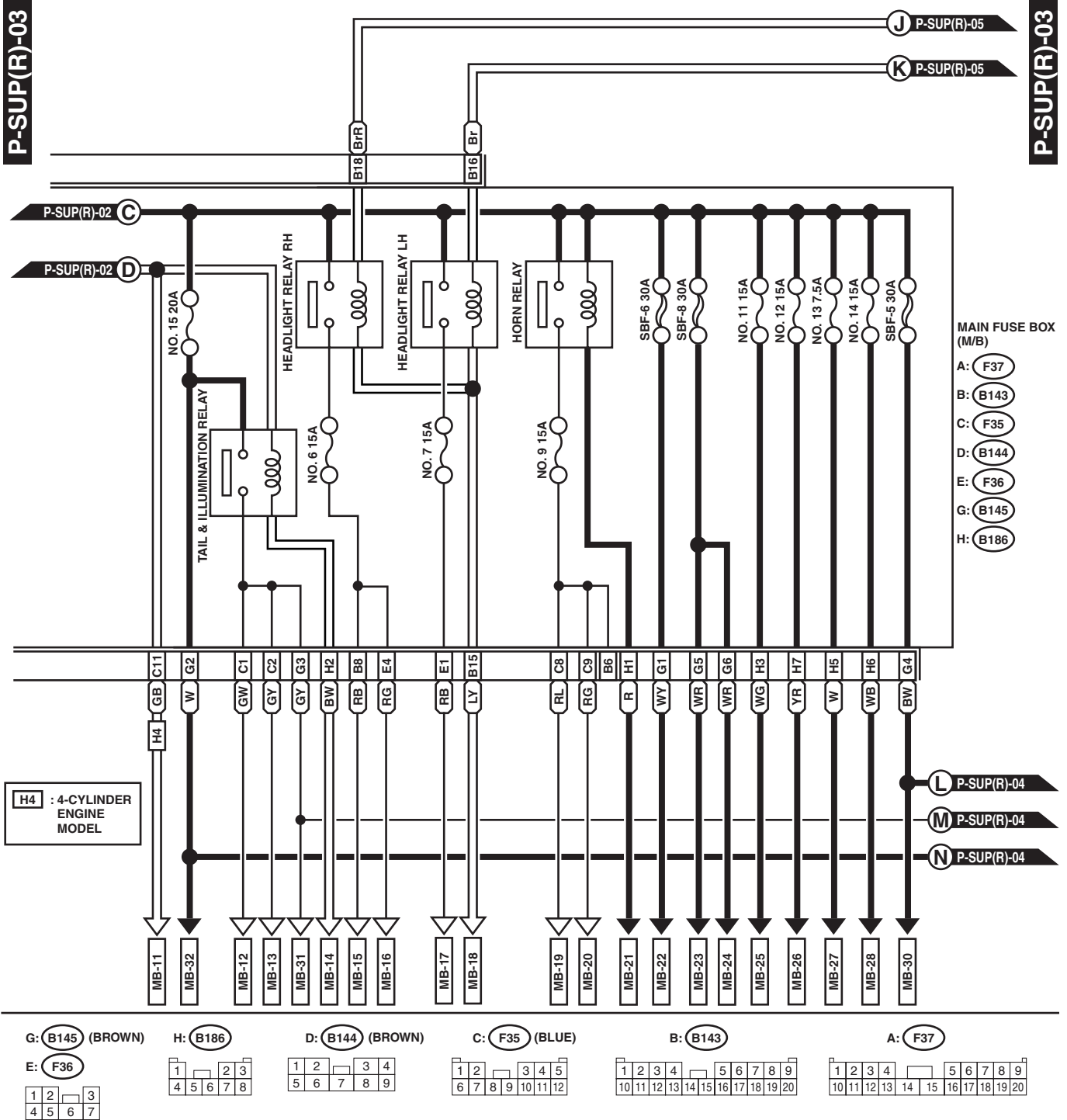
WIRING SYSTEM



WI-03901

Power Supply Circuit

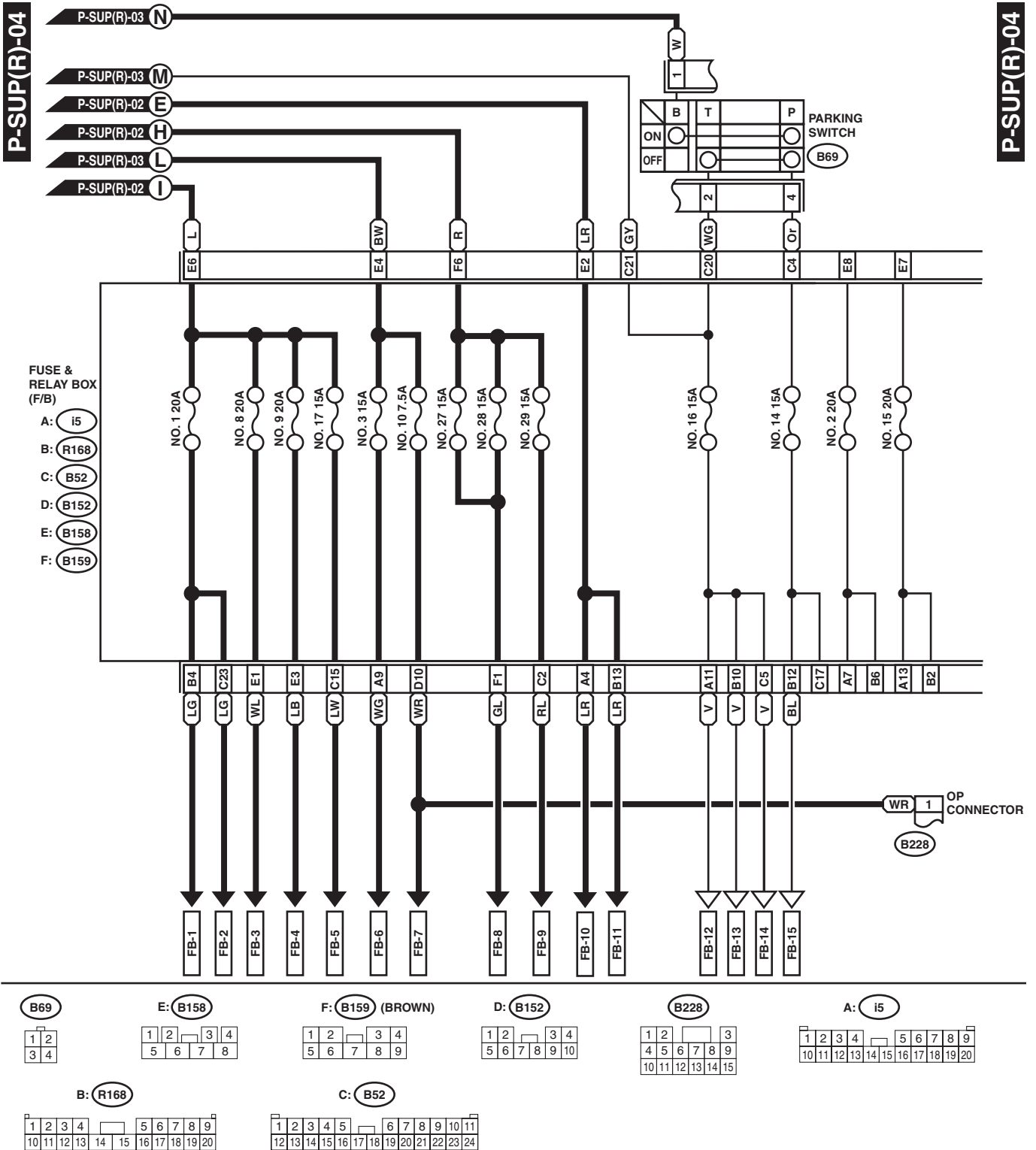
WIRING SYSTEM



WI-03902

Power Supply Circuit

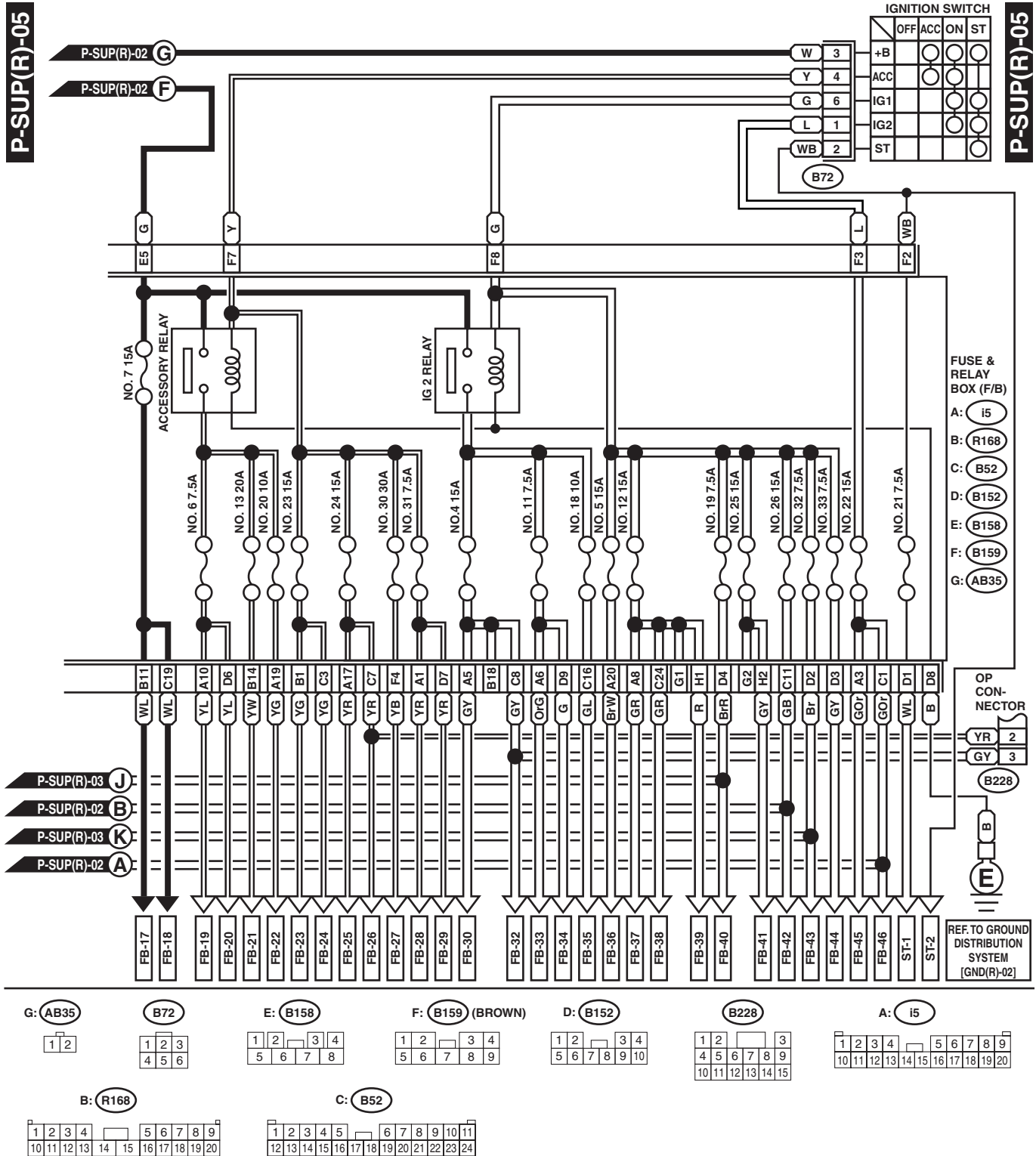
WIRING SYSTEM



WI-03903

Power Supply Circuit

WIRING SYSTEM



WI-03904

Power Supply Circuit

WIRING SYSTEM

No.	Load
MB-1	ABS control module VDC control module
MB-2	ABS control module VDC control module
MB-3	Audio amplifier (Model with McIntosh)
MB-4	Sub fan relay
MB-5	Mirror heater relay Rear defogger
MB-6	Body integrated unit
MB-7	Main fan relay 2
MB-8	Main fan motor PWM controller
MB-9	ECM
MB-10	Main fan relay 2
MB-11	Main fan relay 2
MB-12	Headlight leveler LH
MB-13	Headlight leveler RH
MB-14	Lighting switch OP connector
MB-15	Body integrated unit Combination meter
MB-16	Headlight LH
MB-17	Headlight RH
MB-18	Dimmer/passing switch Lighting diode OP connector
MB-19	Horn (HI)
MB-20	Horn (LO)
MB-21	Body integrated unit Horn switch
MB-22	Oxygen (A/F) sensor relay Main relay
MB-23	Oxygen (A/F) sensor relay Main relay Main relay 2
MB-24	Electronic throttle control relay
MB-25	Fuel pump relay
MB-26	TCM
MB-27	Data link connector ECM
MB-28	Alarm control module Body integrated unit Key switch illumination Key warning switch Turn signal and hazard unit
MB-29	Alarm control module Auto A/C control module Body integrated unit Interior light Spot map light
MB-30	Power window circuit breaker
MB-31	F/B fuse No. 16 Headlight leveler switch Parking light switch
MB-32	Parking light switch

No.	Load
ALT-1	ECM
ALT-2	Combination meter OP connector
ST-1	ECM (AT) Starter relay
ST-2	Starter relay
FB-2	Rear fog light relay
FB-3	Stop light switch
FB-4	Mirror heater relay Wiper deicer relay
FB-5	Seat heater relay
FB-6	Body integrated unit
FB-8	Blower fan relay
FB-9	Front fog light relay
FB-10	Audio Clock Keyless entry control module Navigation unit Step light LH Step light RH TV monitor
FB-11	Luggage room light (Wagon model) Trunk room light (Sedan model) Seat belt buzzer
FB-12	Clock
FB-13	Seat heater switch
FB-14	Front fog light relay Rear fog light relay OP connector
FB-17	Combination meter
FB-18	Body integrated unit LAN unit
FB-19	Remote controlled mirror switch
FB-20	Seat heater relay Vanity mirror illumination LH Vanity mirror illumination RH
FB-21	Luggage room power socket Seat heater switch
FB-22	Front accessory power supply socket
FB-23	Rear wiper motor
FB-24	Body integrated unit Rear washer motor
FB-25	Audio Clock Distributor Navigation unit TV monitor Front washer motor
FB-26	OP connector
FB-27	Front wiper motor Front wiper switch Front washer motor
FB-28	Body integrated unit A/C control panel
FB-29	Auto A/C control module TCM

Power Supply Circuit

WIRING SYSTEM

No.	Load
FB-30	TV monitor
FB-32	Alarm control module Brake switch Clutch switch (MT/Cruise) ECM OP connector Line end check connector Seat belt warning light Sunroof control unit Sunroof switch Wiper deicer relay
FB-33	Clock
FB-34	Turn signal and hazard unit
FB-35	Back-up light relay (5-speed AT model) Back-up light switch (MT model) Inhibitor switch (4-speed AT model)
FB-36	Combination meter
FB-37	Body integrated unit
FB-38	ECM Fuel pump relay Ignition coil No. 1 Ignition coil No. 2 Ignition coil No. 3 Ignition coil No. 4 Ignition coil & ignitor P-VIGN relay Rear vehicle speed sensor (4-speed AT model) TCM
FB-39	Airbag control module
FB-41	Airbag control module
FB-42	Power window relay
FB-44	ABS control module VDC control module
FB-45	A/C control panel
FB-46	A/C relay Auto A/C control module Blower fan relay FRESH/RECIRC actuator Mode actuator Pressure switch Sub fan relay Heater cock solenoid

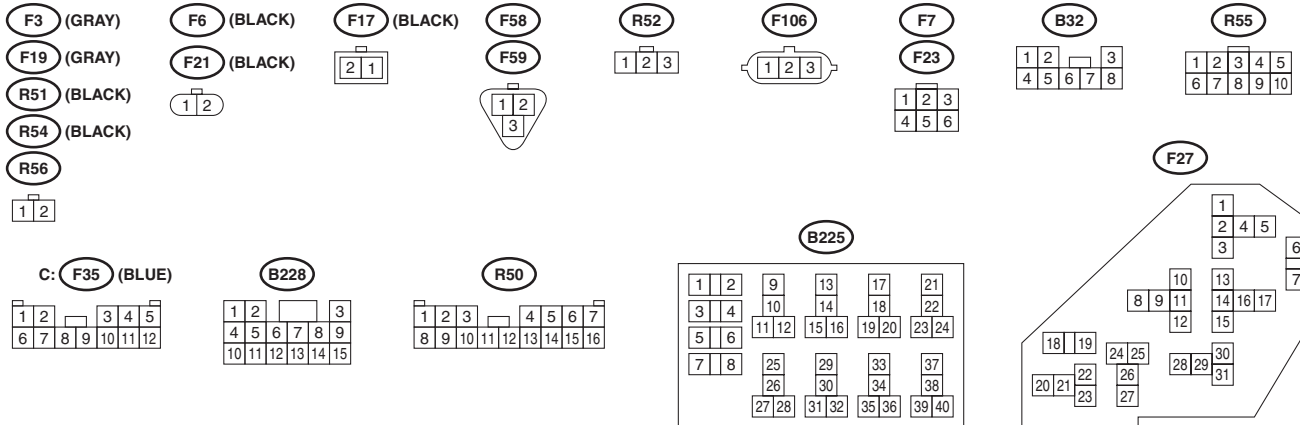
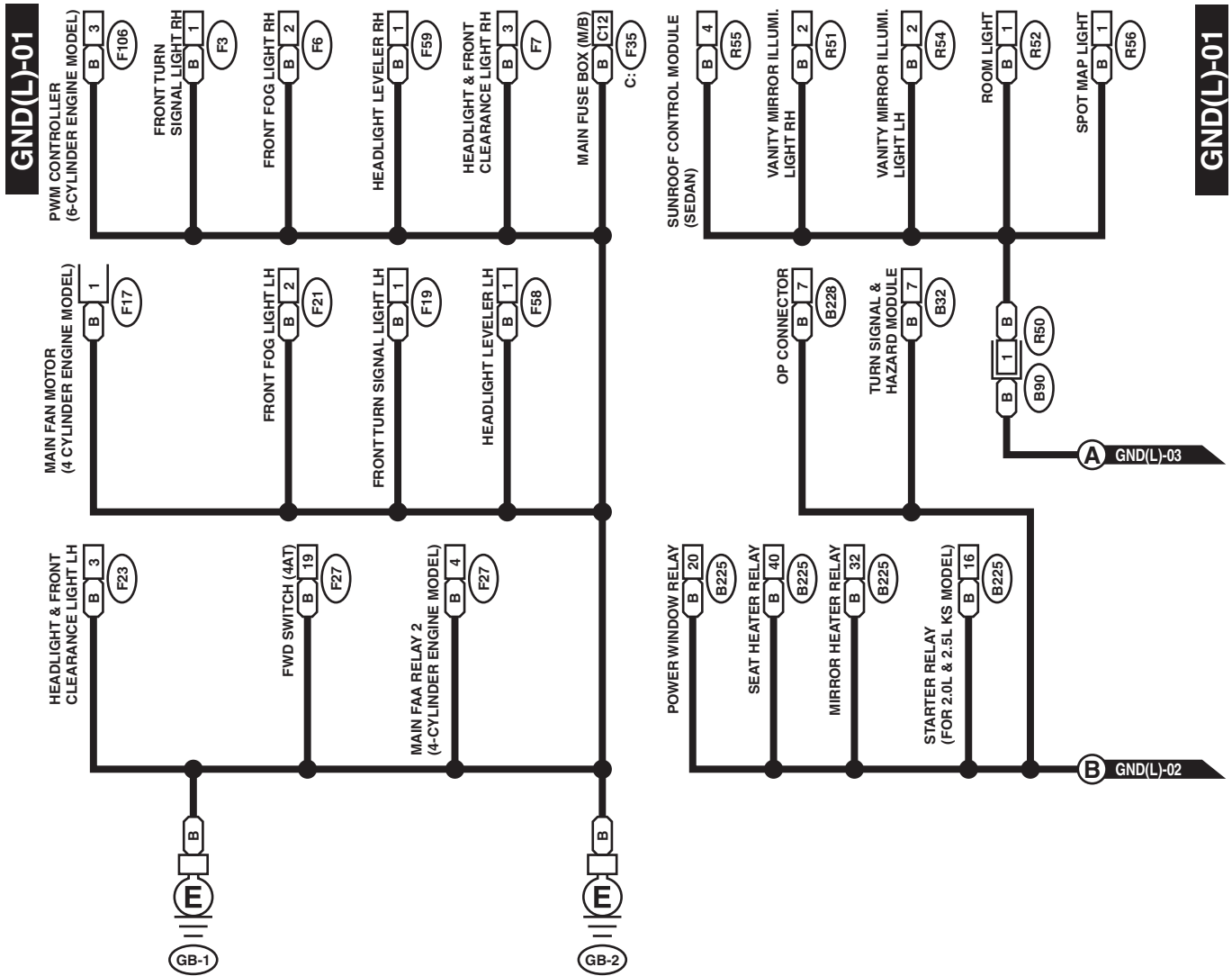
Ground Distribution Circuit

WIRING SYSTEM

4. Ground Distribution Circuit

A: WIRING DIAGRAM

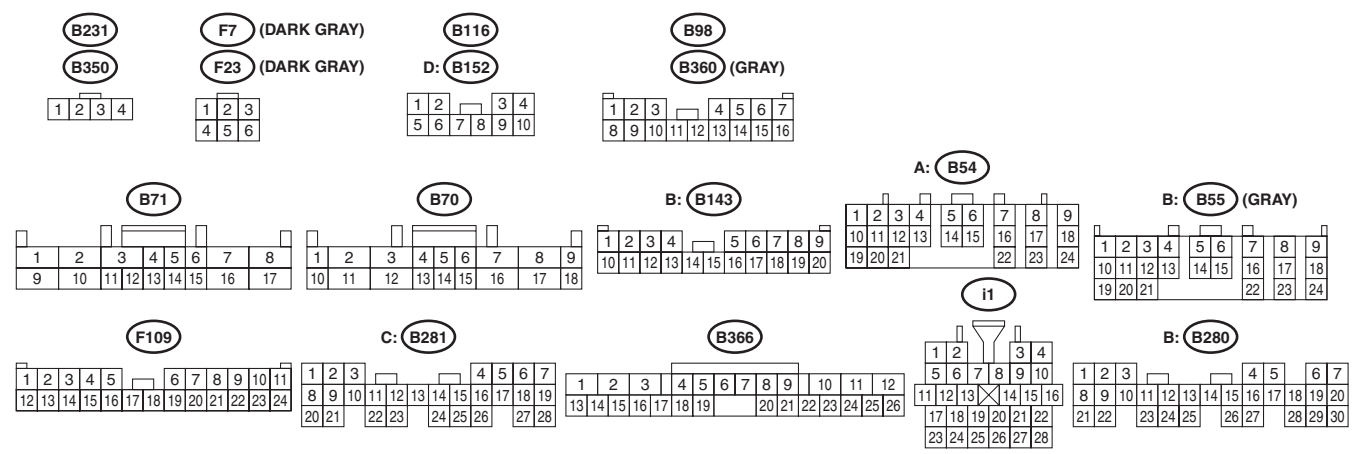
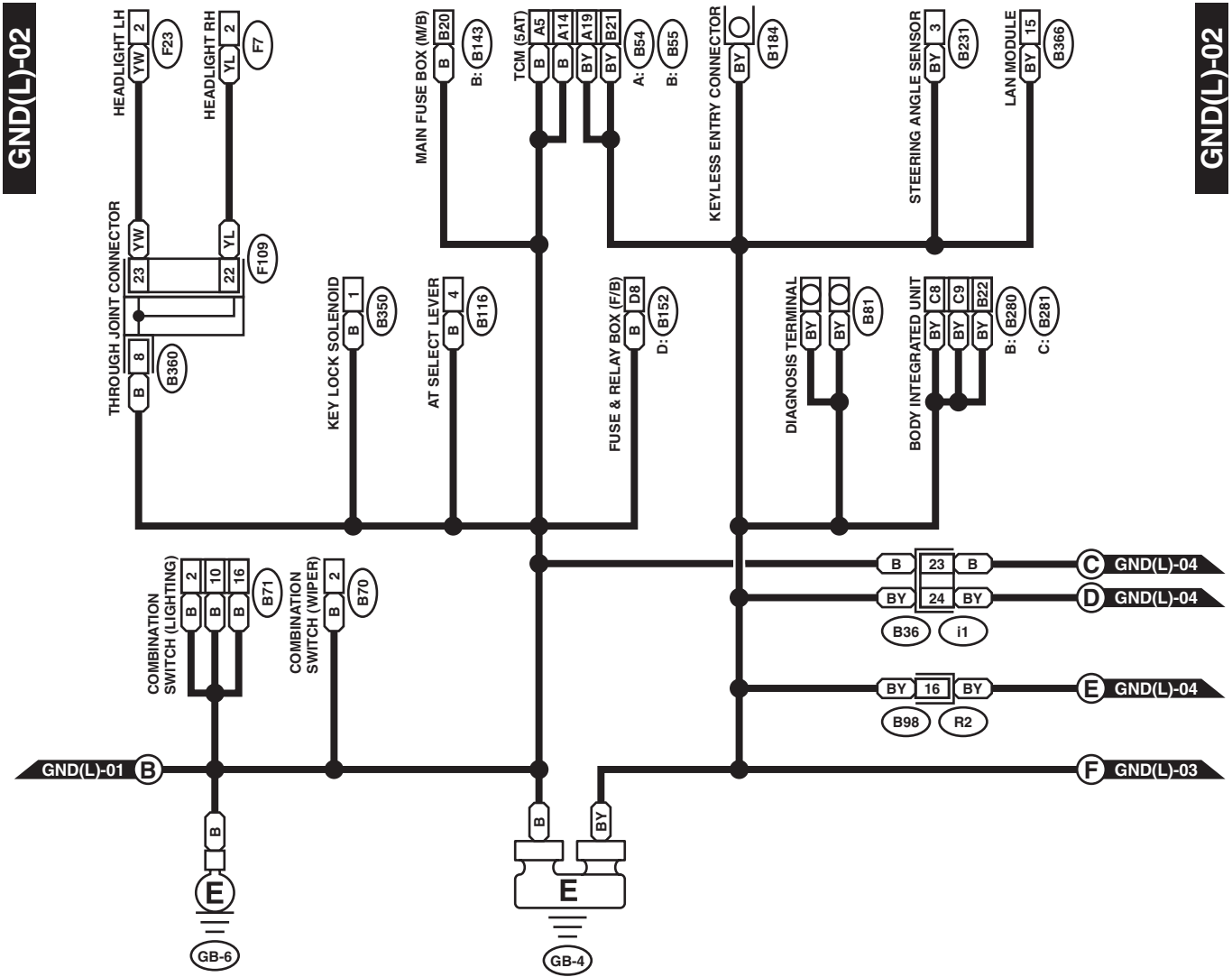
1. LHD CHASSIS GROUND



WI-03905

Ground Distribution Circuit

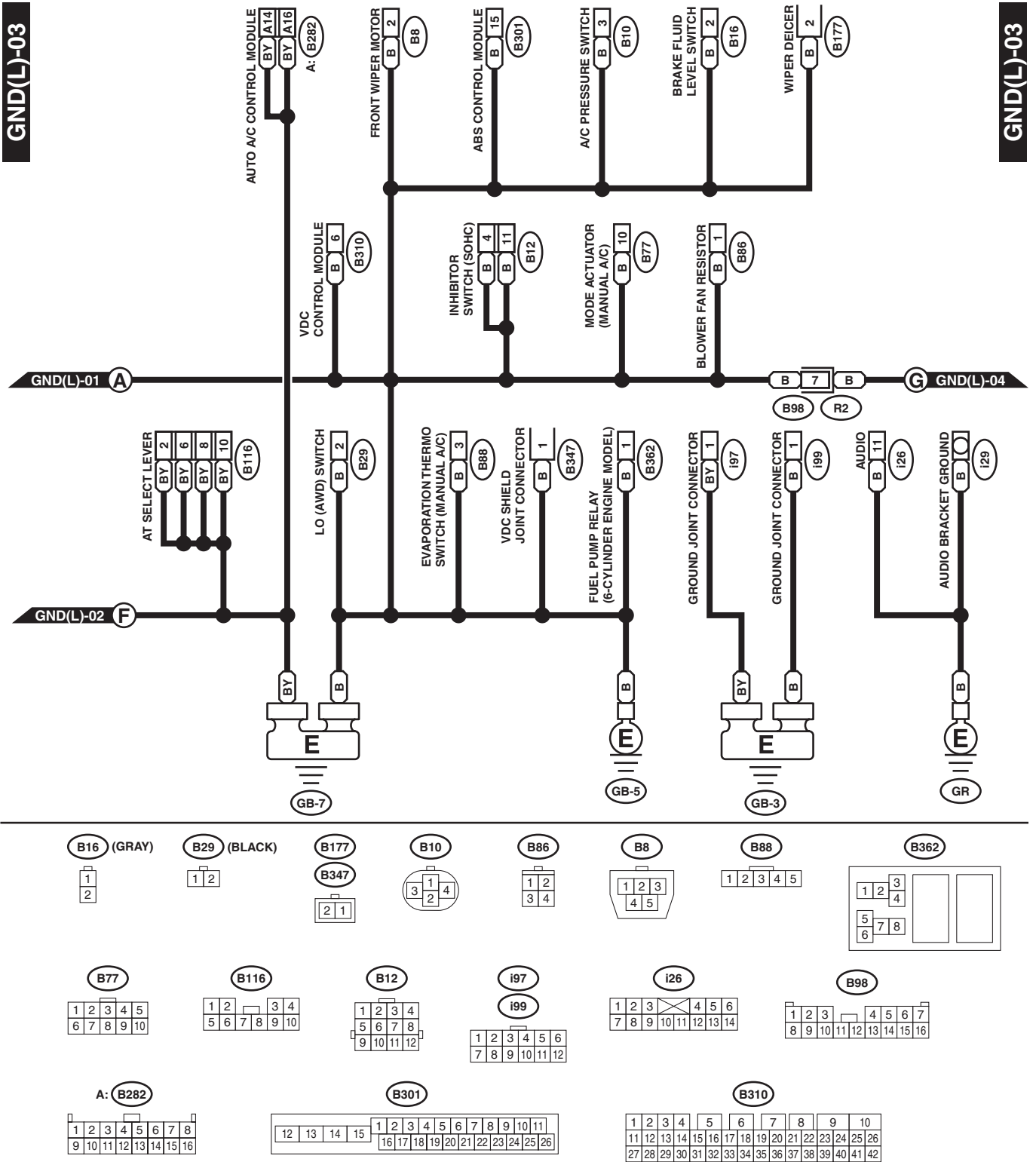
WIRING SYSTEM



WI-03906

Ground Distribution Circuit

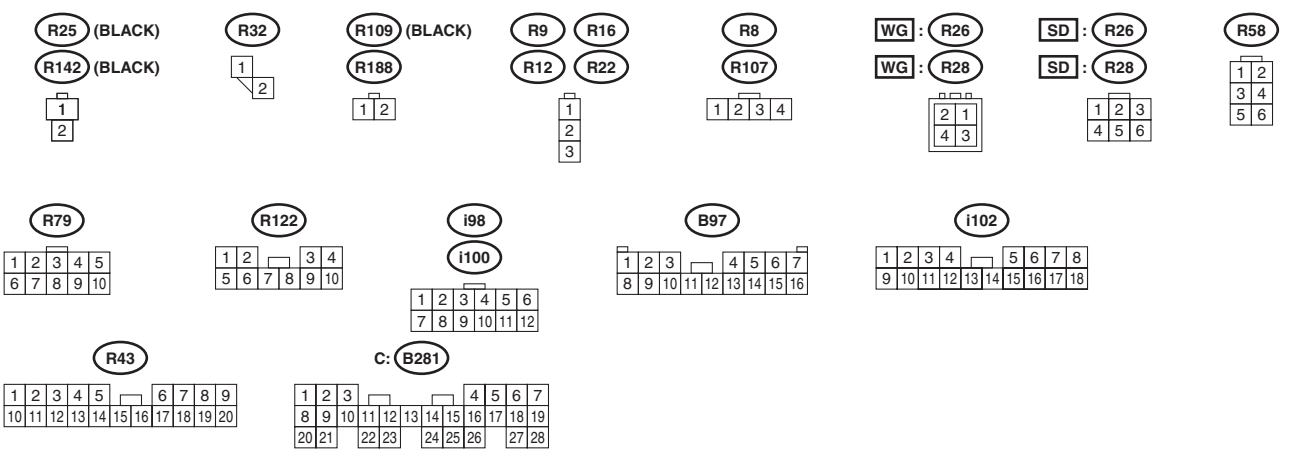
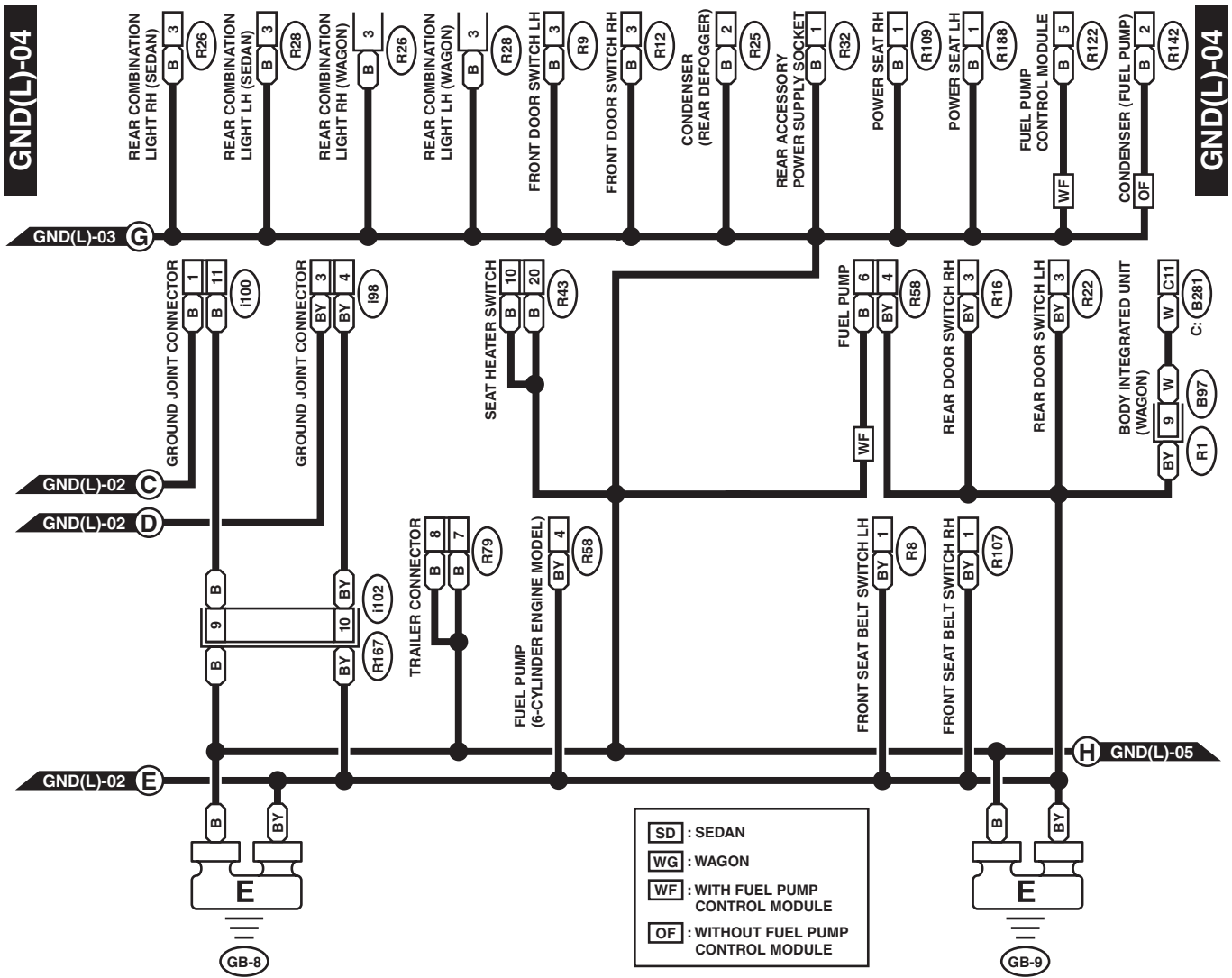
WIRING SYSTEM



WI-03907

Ground Distribution Circuit

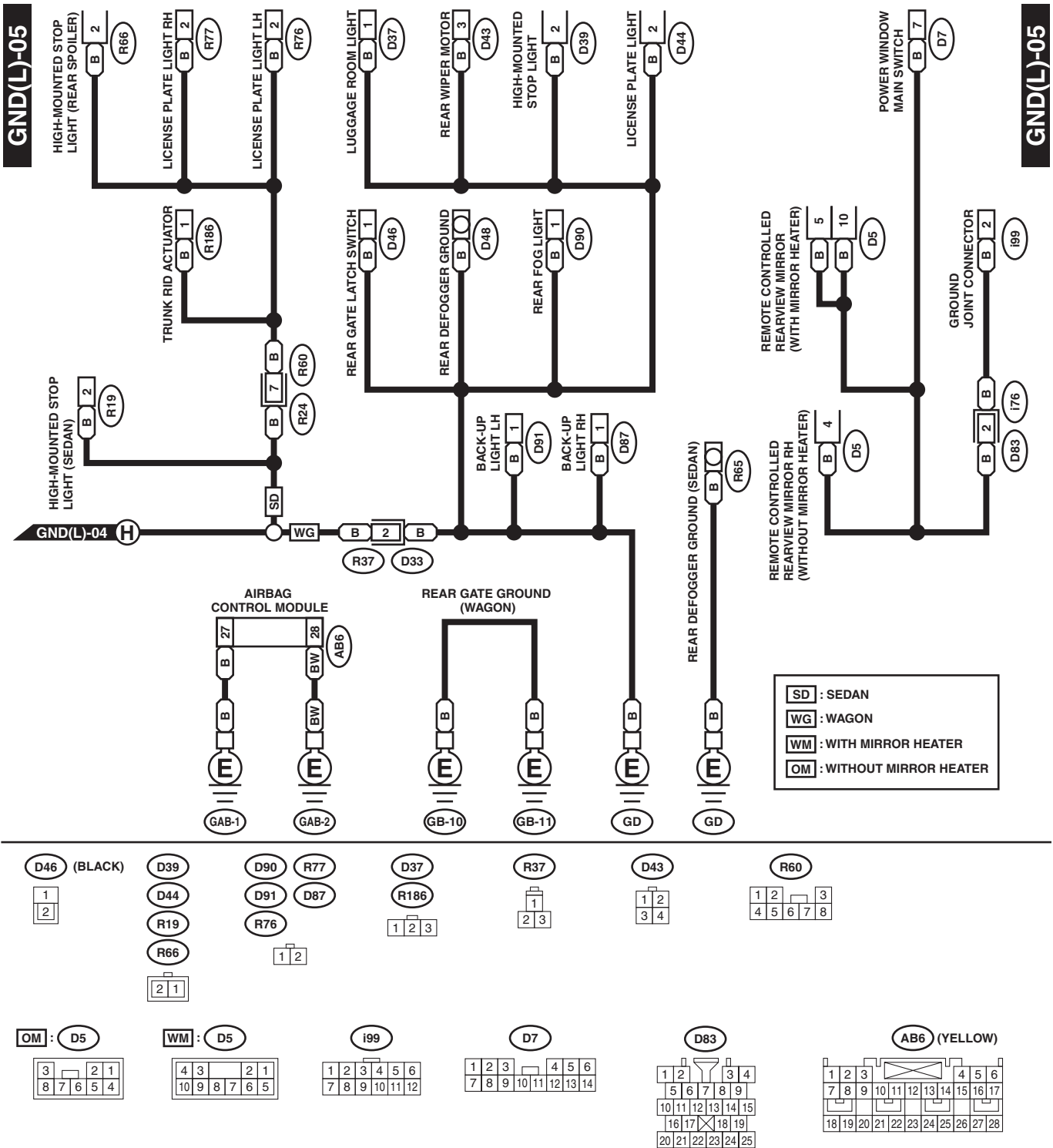
WIRING SYSTEM



WI-03908

Ground Distribution Circuit

WIRING SYSTEM

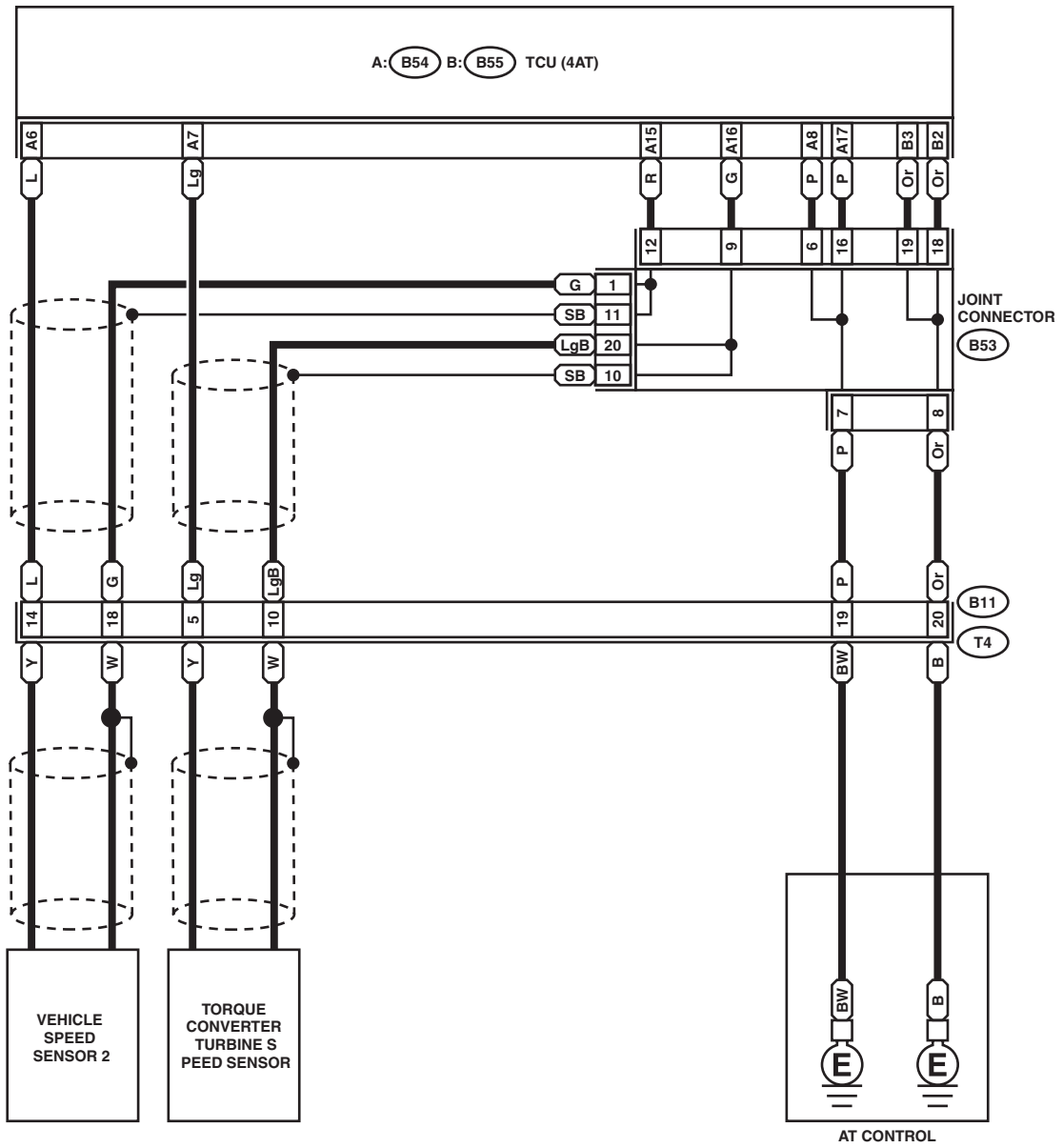


WI-03909

2. LHD AT TRANSMISSION GROUND (4AT MODEL)

GND(L)-06

GND(L)-06



B53

1	2	3	4	5	6	7	8	9	10
11	12	13	14	15	16	17	18	19	20

B11 (GRAY)

1	2	3	4
5	6	7	8
9	10	11	12
13	14	15	16
17	18	19	20

A: B54

1	2	3	4	5	6	7
8	9	10	11	12	13	14
15	16	17	18	19	20	21
22	23	24				

B: B55

1	2	3	4	5	6	7	8	9
10	11	12	13	14	15	16	17	18
19	20	21	22	23	24	25	26	27
28	29	30	31					

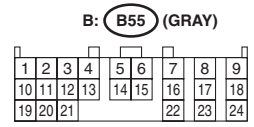
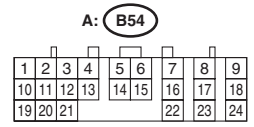
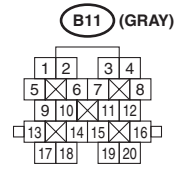
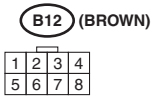
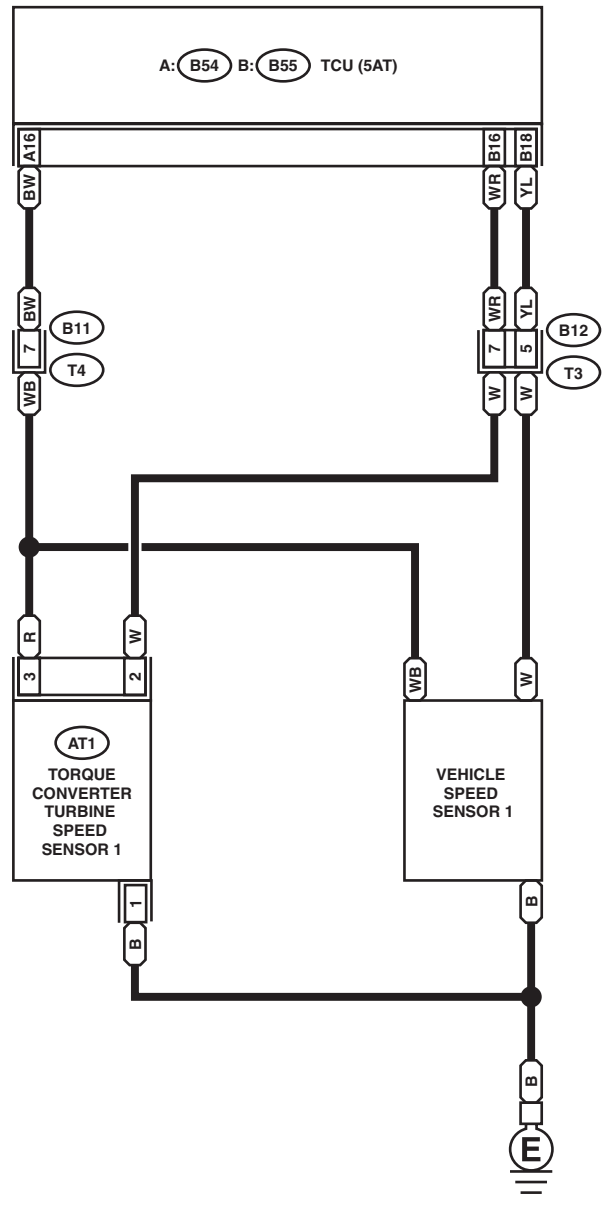
Ground Distribution Circuit

WIRING SYSTEM

3. LHD AT TRANSMISSION GROUND (5AT MODEL)

GND(L)-07

GND(L)-07



WI-03911

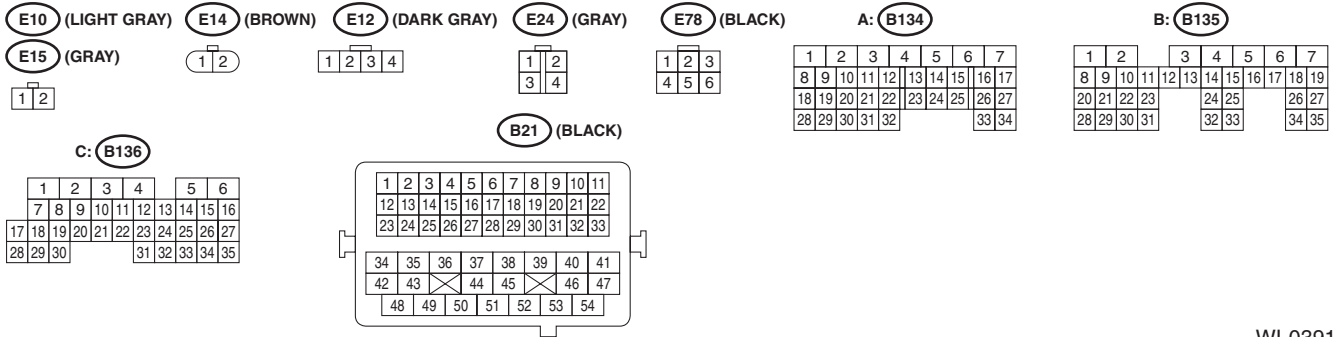
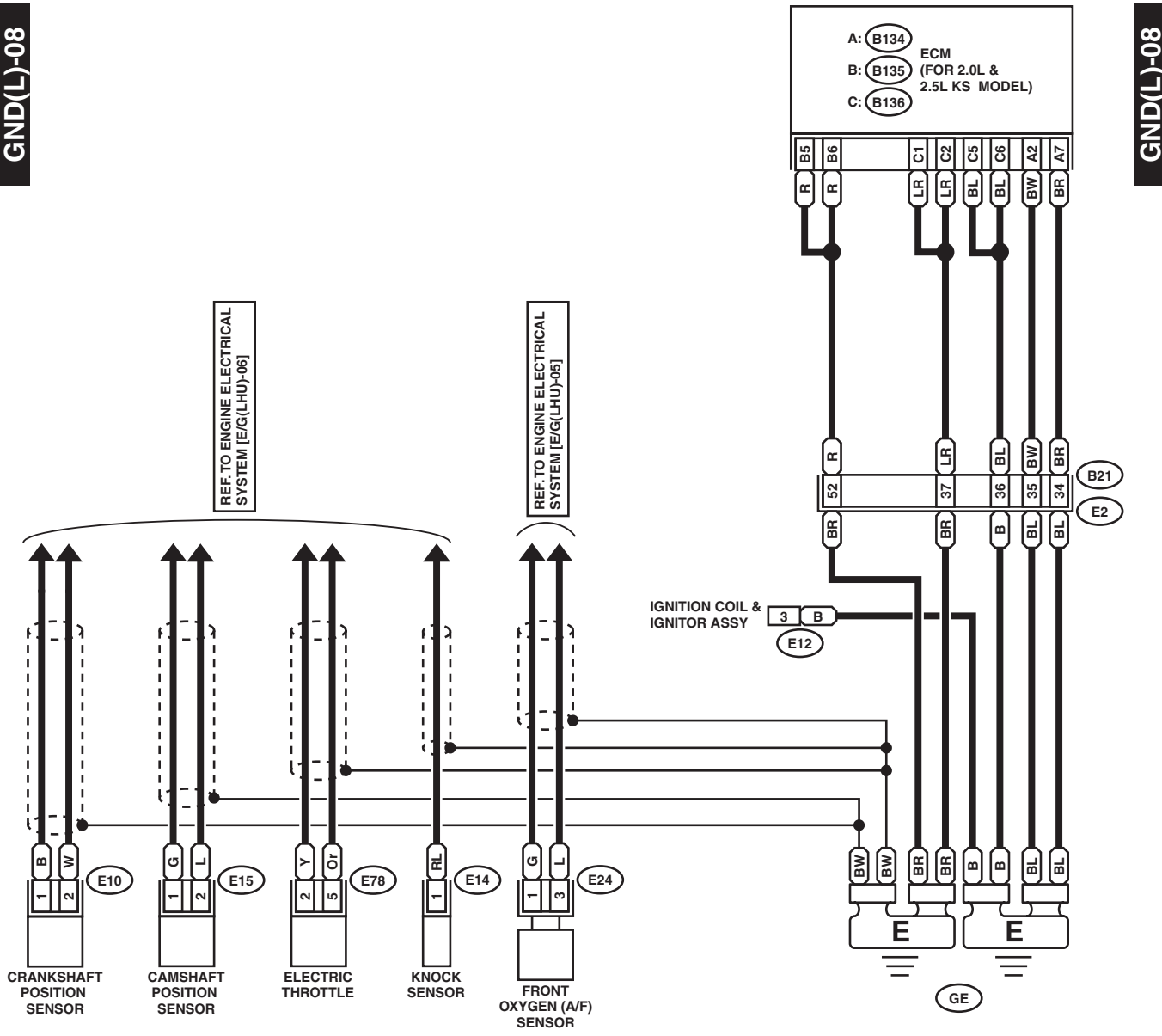
Ground Distribution Circuit

WIRING SYSTEM

4. LHD ENGINE GROUND (2.0 L MODEL AND 2.5 L KS MODEL)

GND(L)-08

GND(L)-08



WI-03912

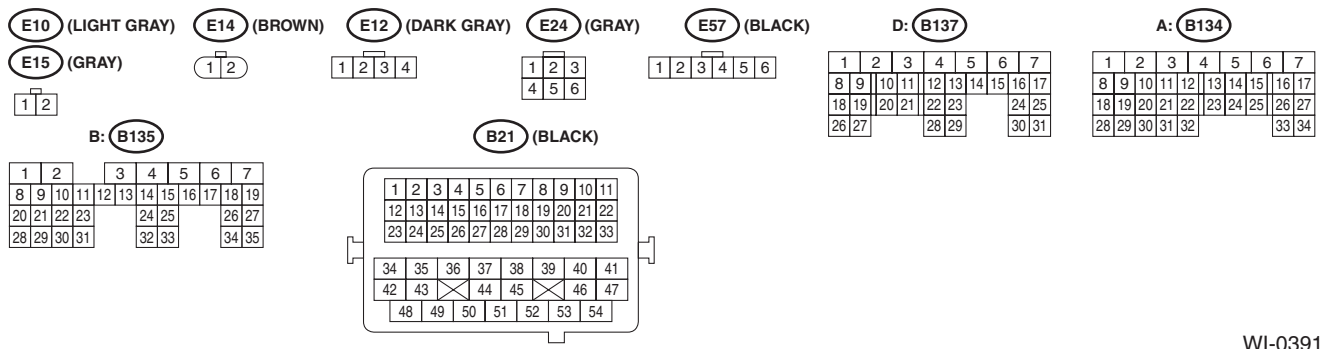
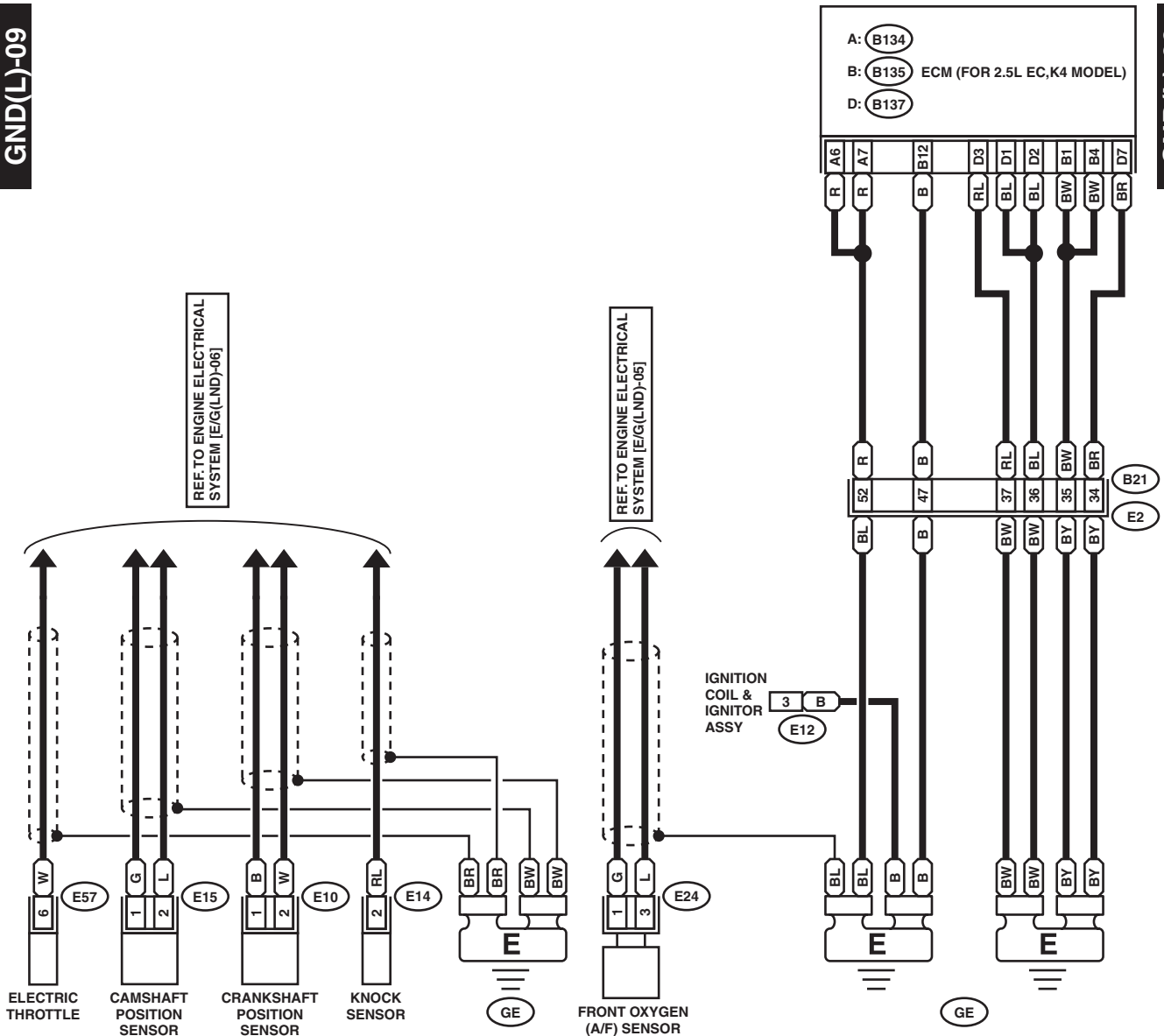
Ground Distribution Circuit

WIRING SYSTEM

5. LHD ENGINE GROUND (2.5 L EC, K4 MODEL)

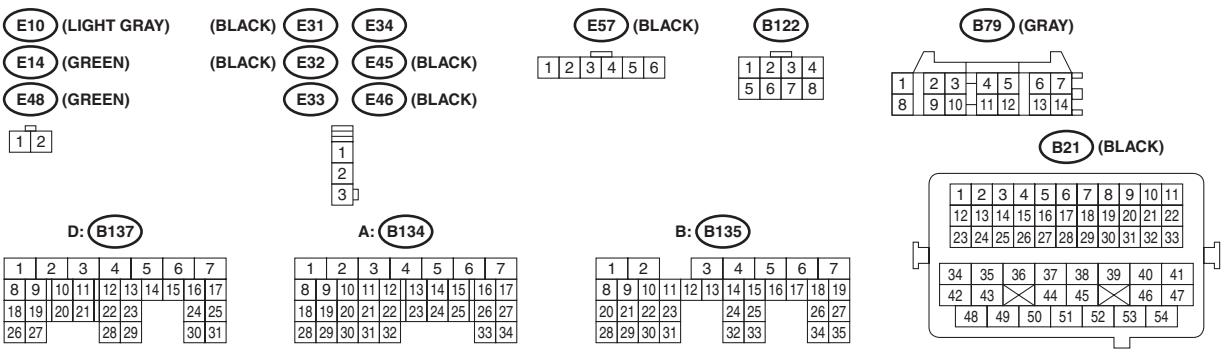
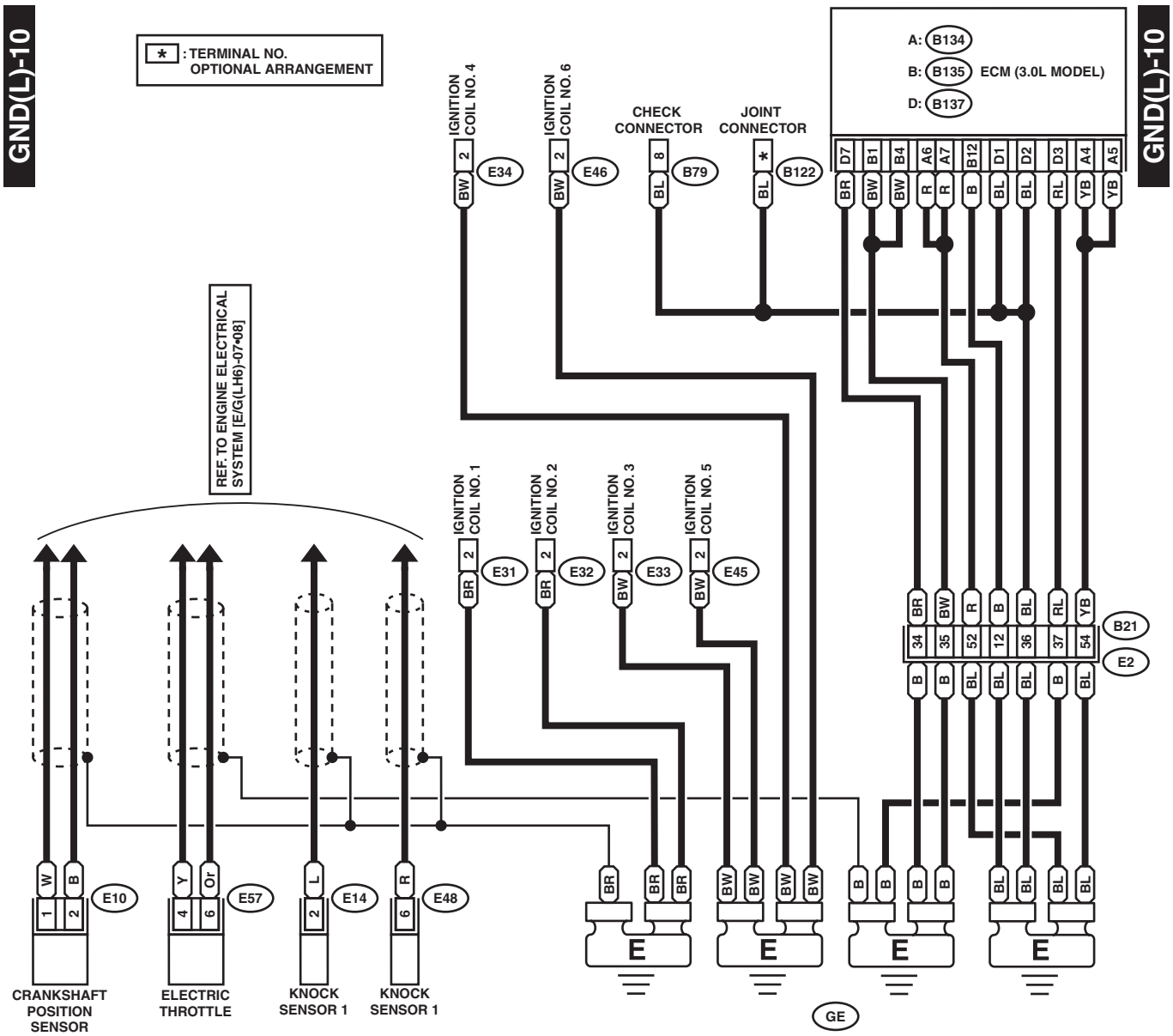
GND(L)-09

GND(L)-09



WI-03913

6. LHD ENGINE GROUND (3.0 L MODEL)

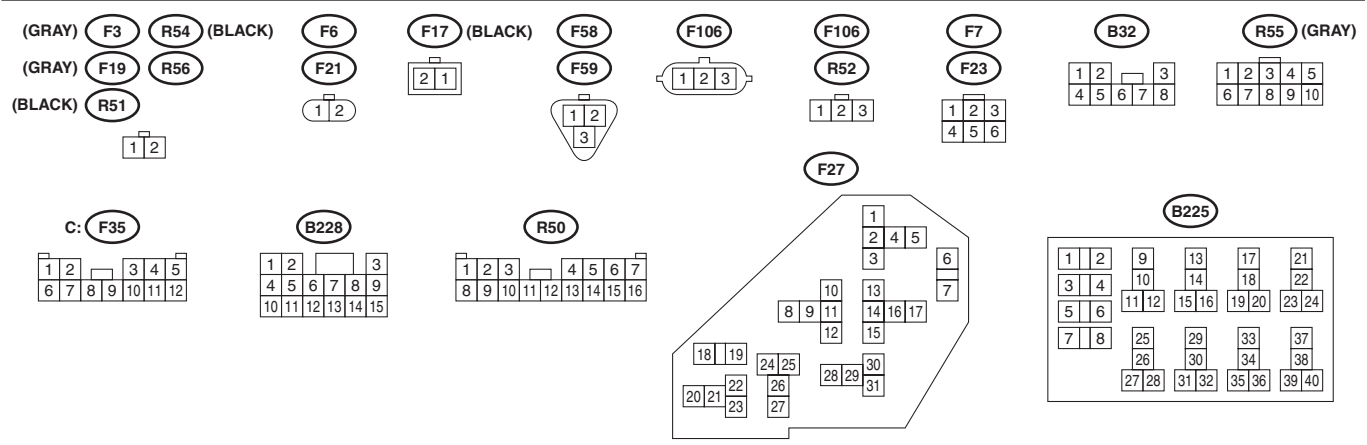
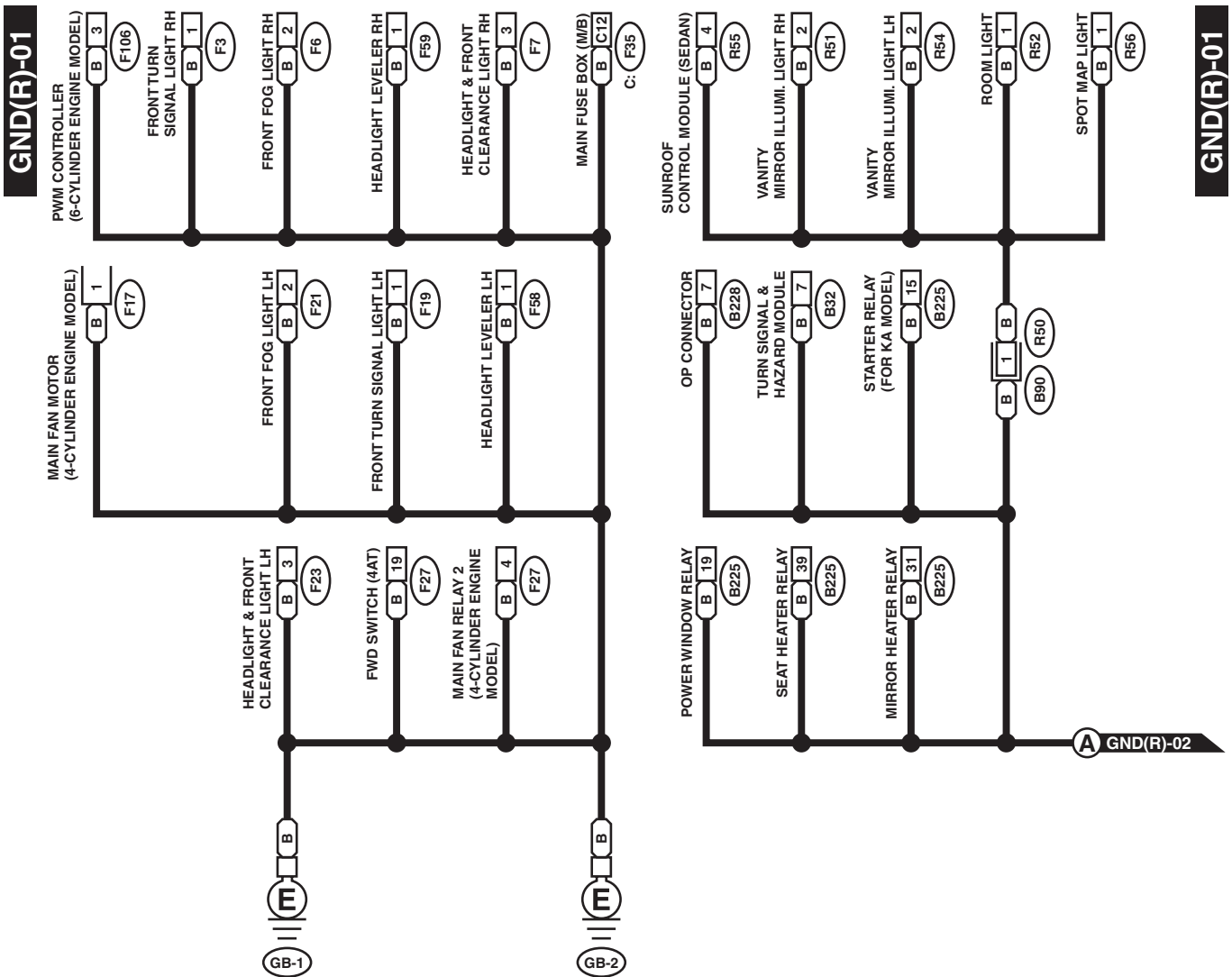


WI-03914

Ground Distribution Circuit

WIRING SYSTEM

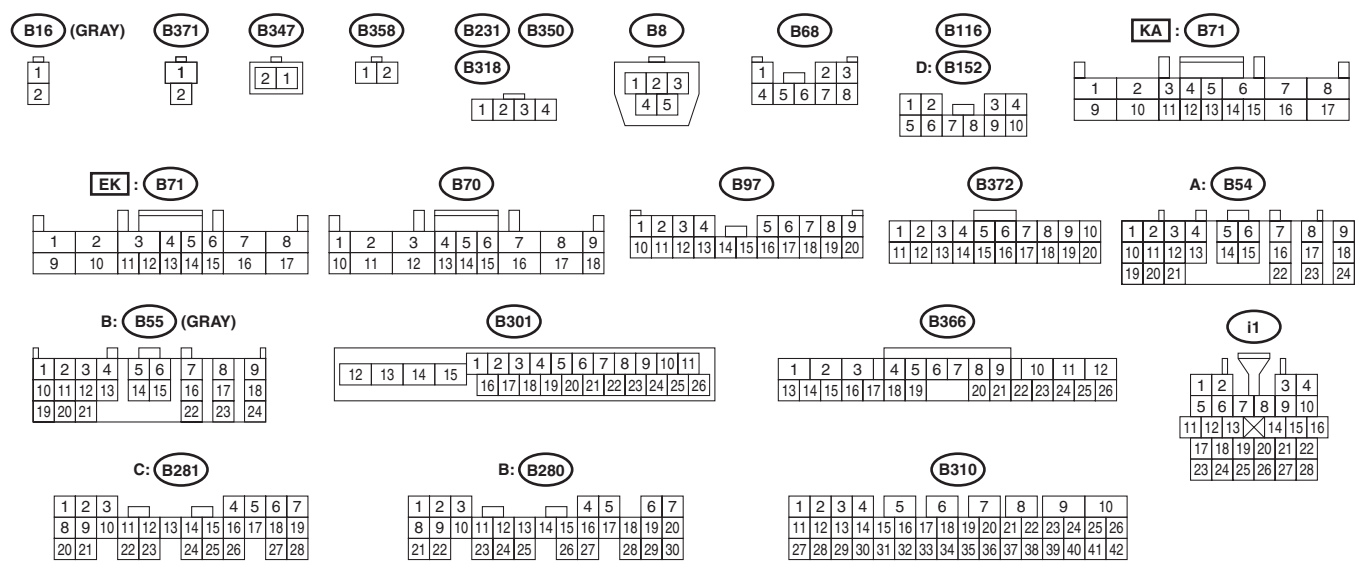
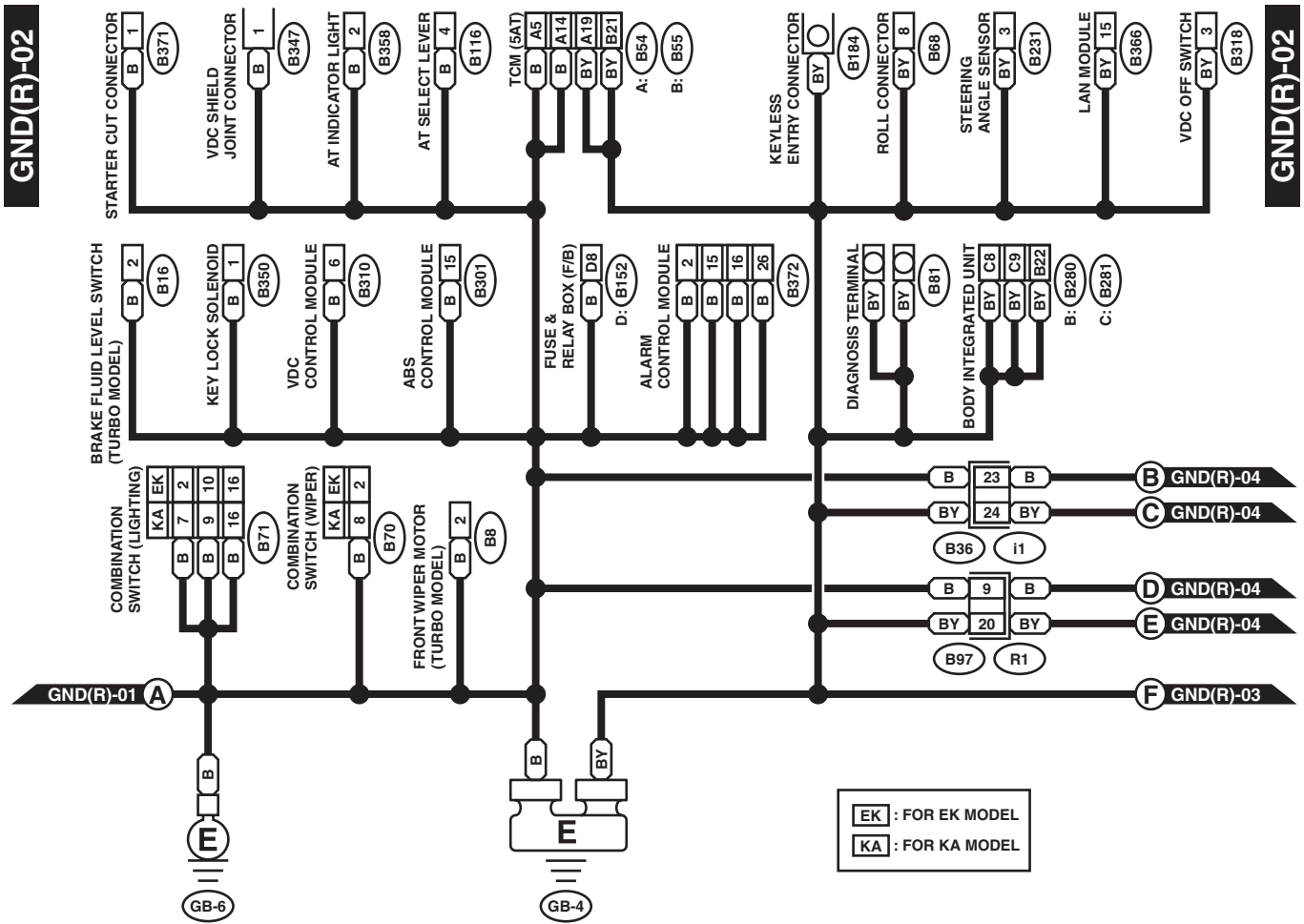
7. RHD CHASSIS GROUND



WI-03915

Ground Distribution Circuit

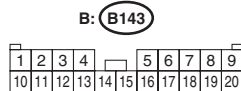
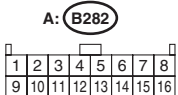
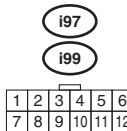
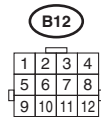
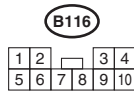
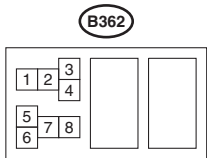
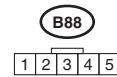
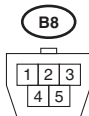
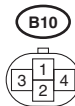
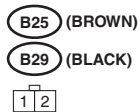
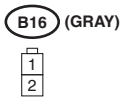
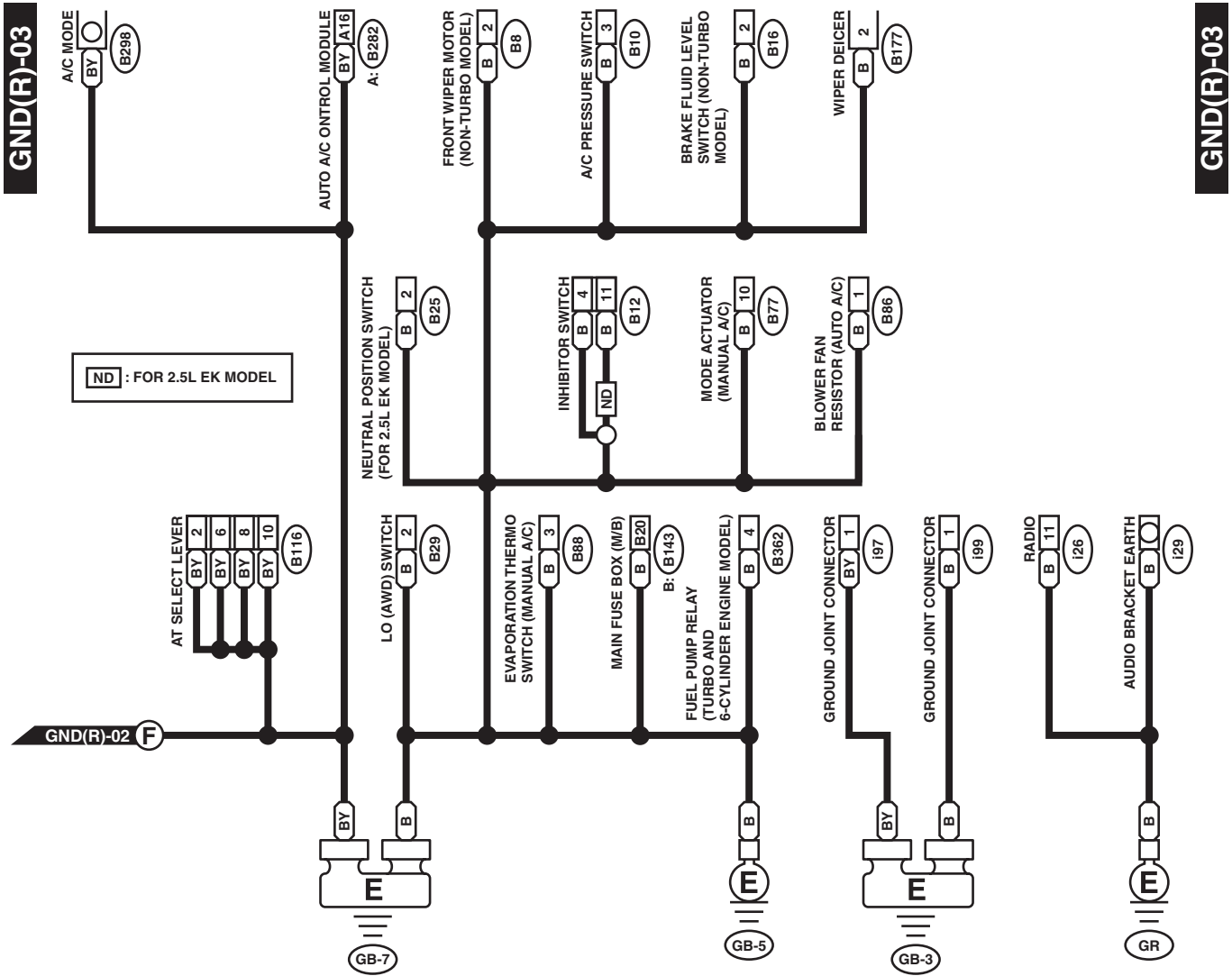
WIRING SYSTEM



WI-03916

Ground Distribution Circuit

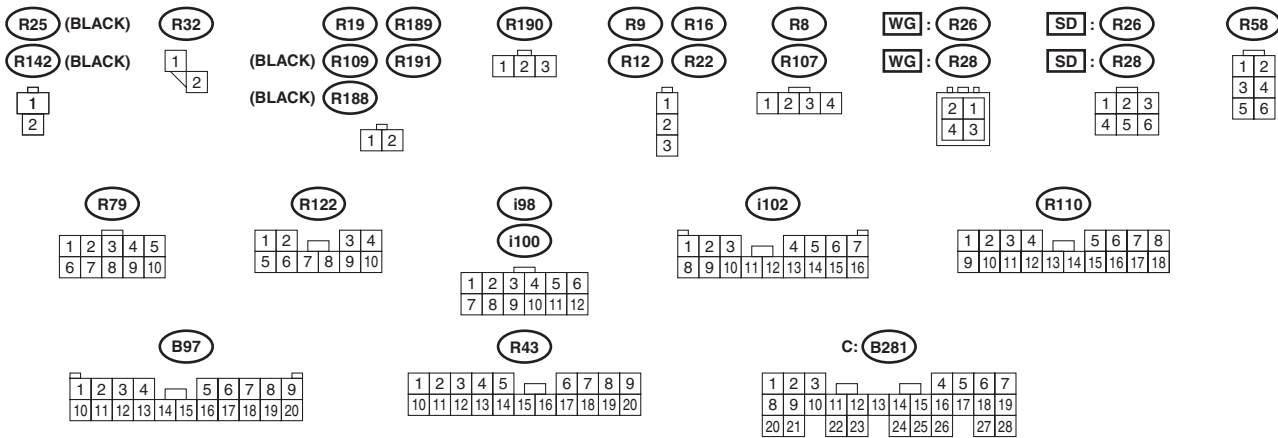
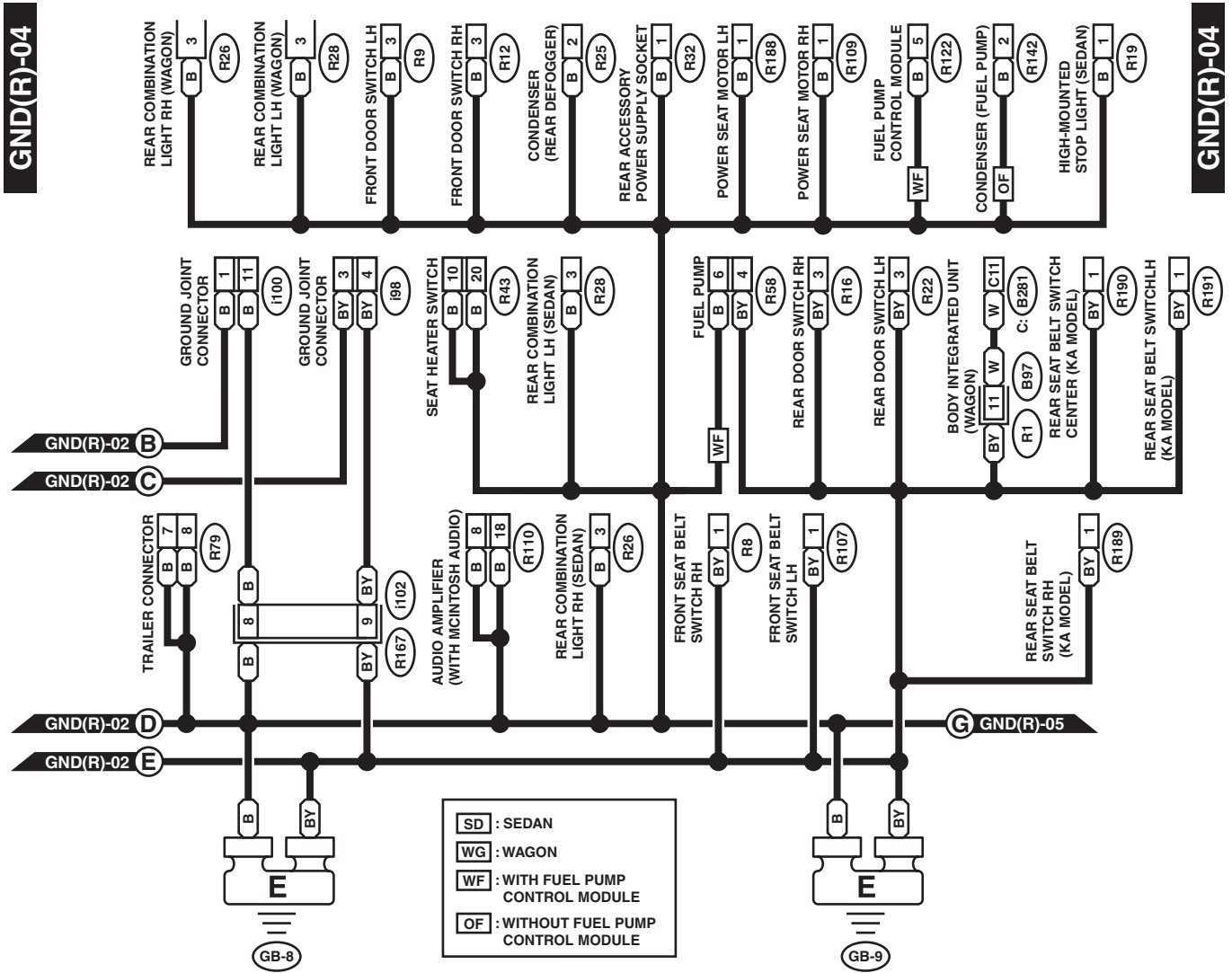
WIRING SYSTEM



WI-03917

Ground Distribution Circuit

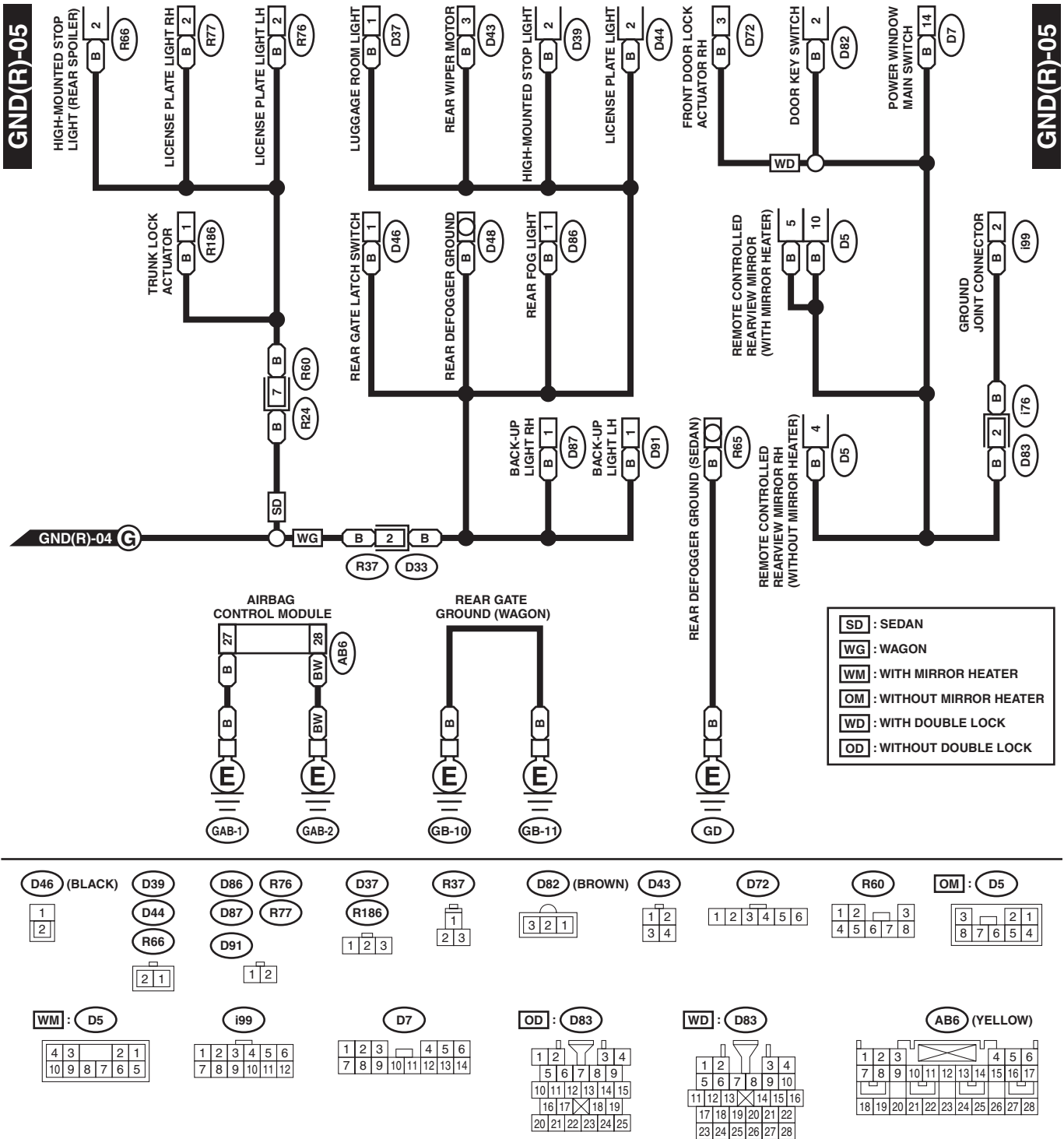
WIRING SYSTEM



WI-03918

Ground Distribution Circuit

WIRING SYSTEM

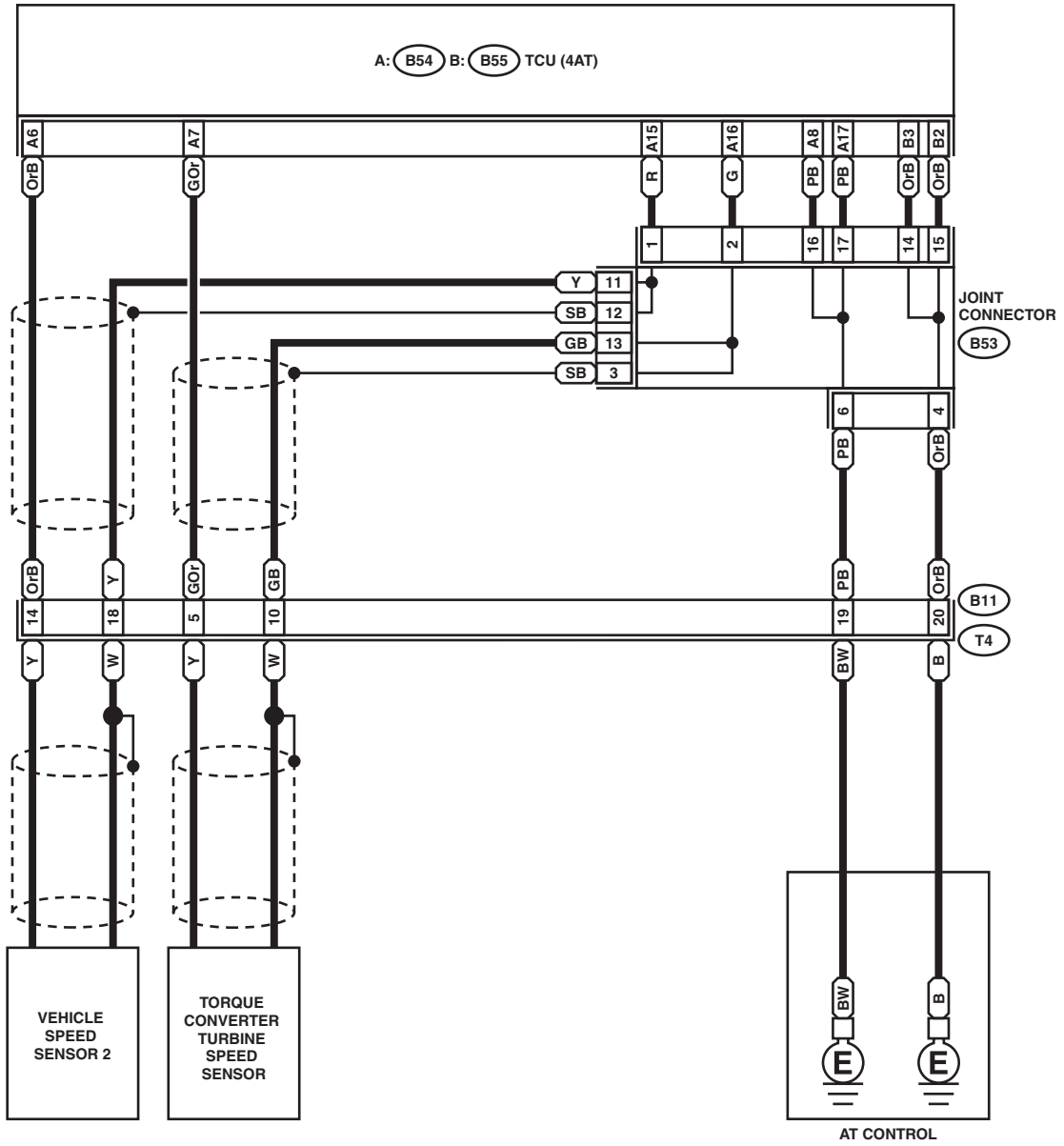


WI-03919

8. RHD AT TRANSMISSION GROUND (4AT MODEL)

GND(R)-06

GND(R)-06



B53

1	2	3	4	5	6	7	8	9	10
11	12	13	14	15	16	17	18	19	20

B11 (GRAY)

1	2	3	4
5	6	7	8
9	10	11	12
13	14	15	16
17	18	19	20

A: B54

1	2	3	4	5	6	7
8	9	10	11	12	13	14
15	16	17	18	19	20	21
22	23	24	25	26	27	28

B: B55

1	2	3	4	5	6	7	8	9
10	11	12	13	14	15	16	17	18
19	20	21	22	23	24	25	26	27
28	29	30	31	32	33	34	35	36

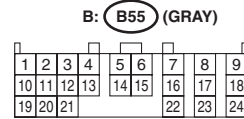
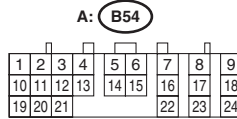
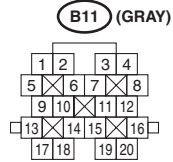
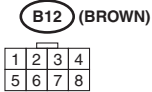
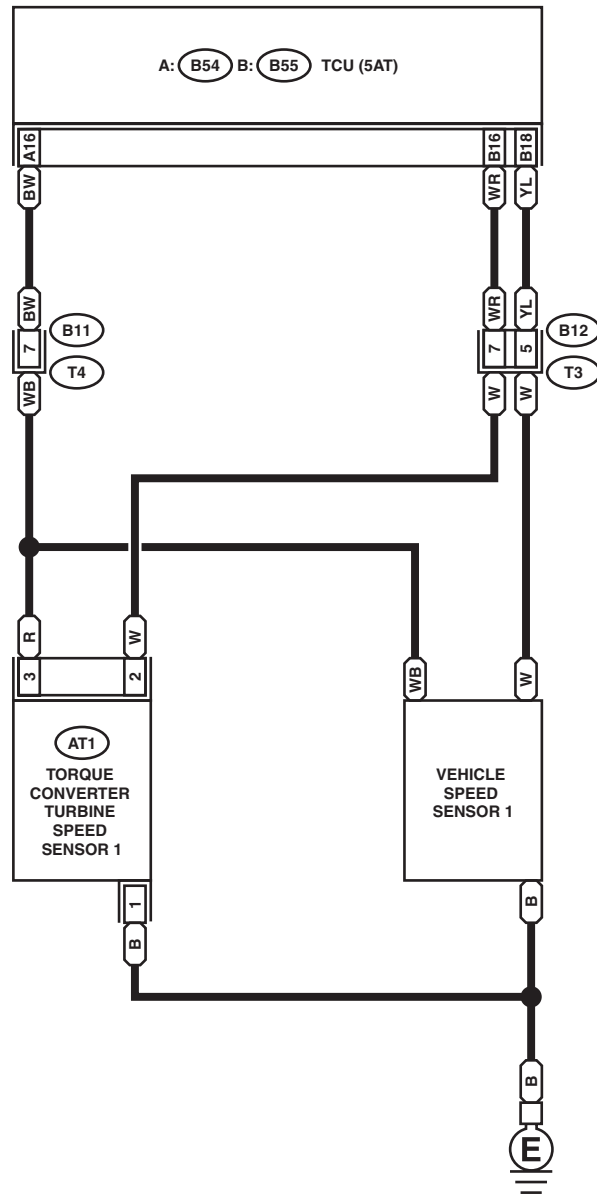
Ground Distribution Circuit

WIRING SYSTEM

9. RHD AT TRANSMISSION GROUND (5AT MODEL)

GND(R)-07

GND(R)-07



WI-03921

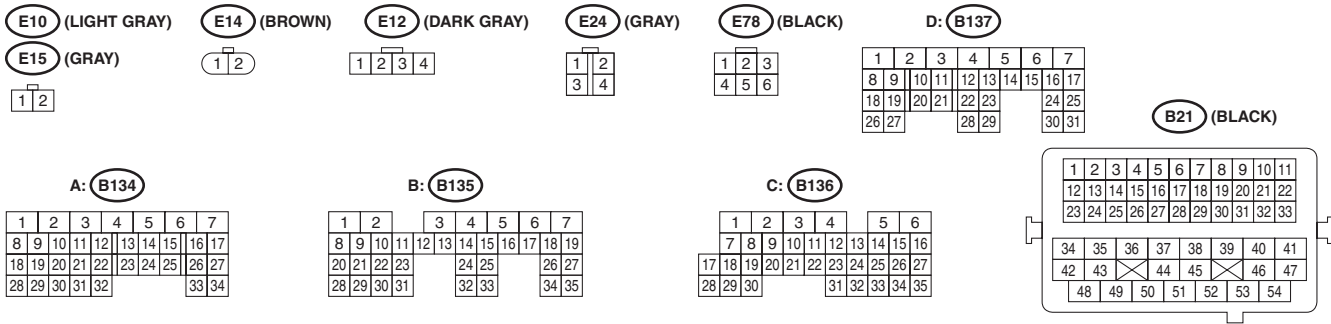
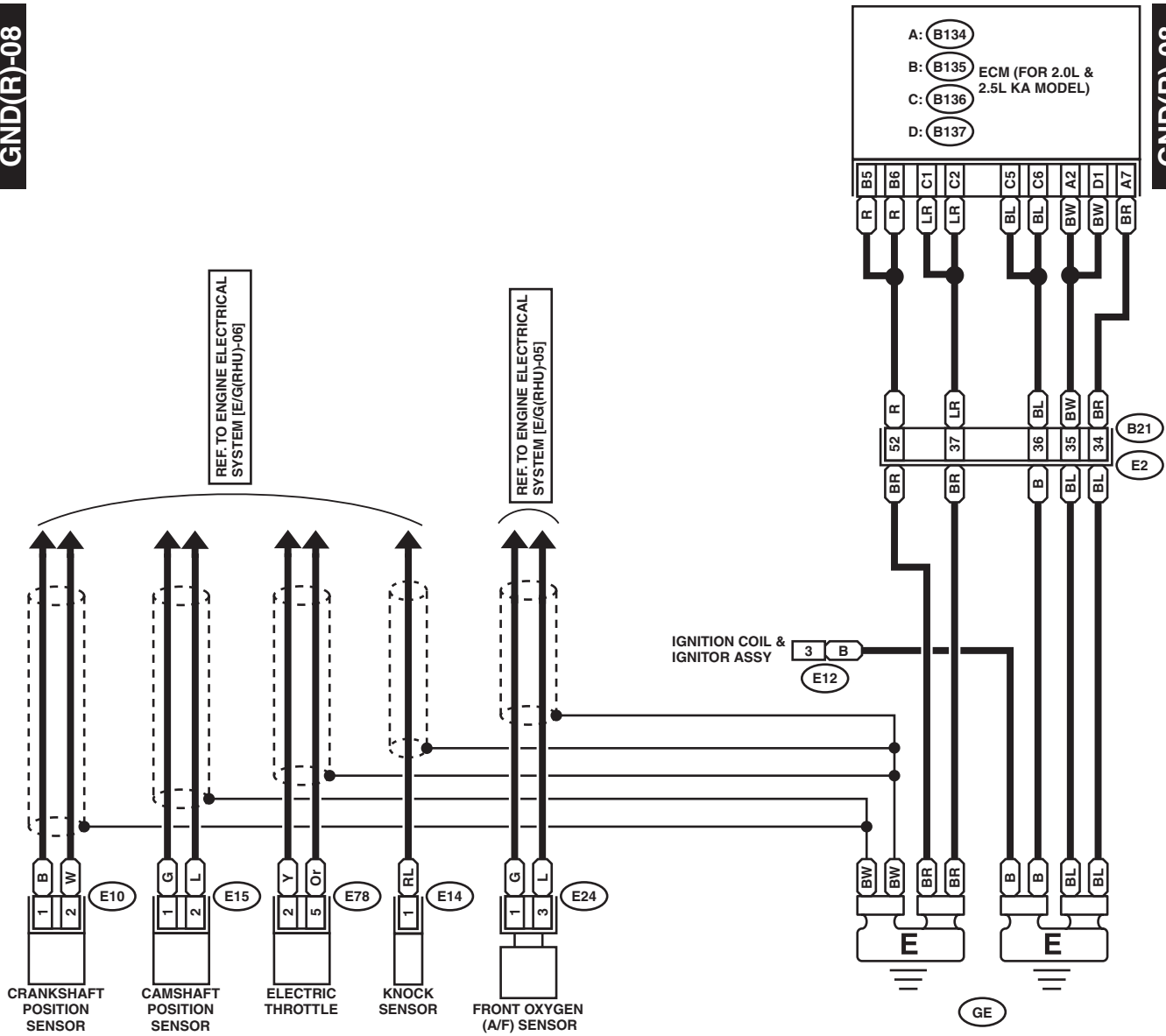
Ground Distribution Circuit

WIRING SYSTEM

10.RHD ENGINE GROUND (2.0 L NON-TURBO MODEL AND 2.5 L KA MODEL)

GND(R)-08

GND(R)-08



WI-03922

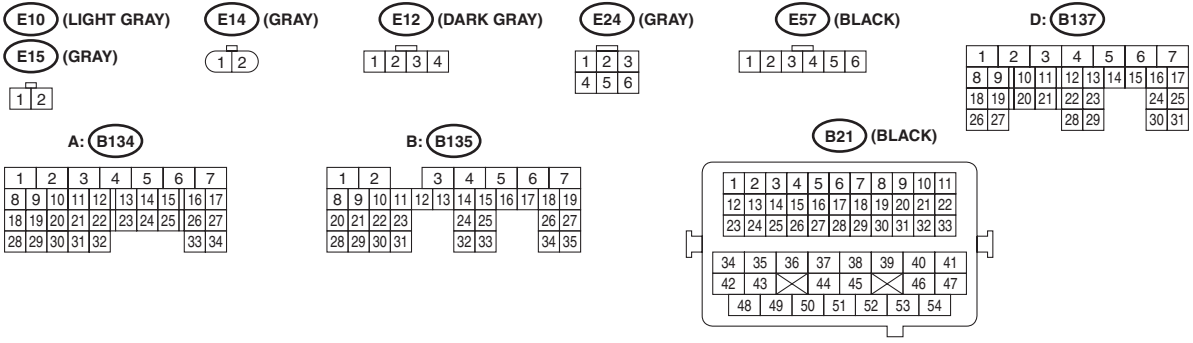
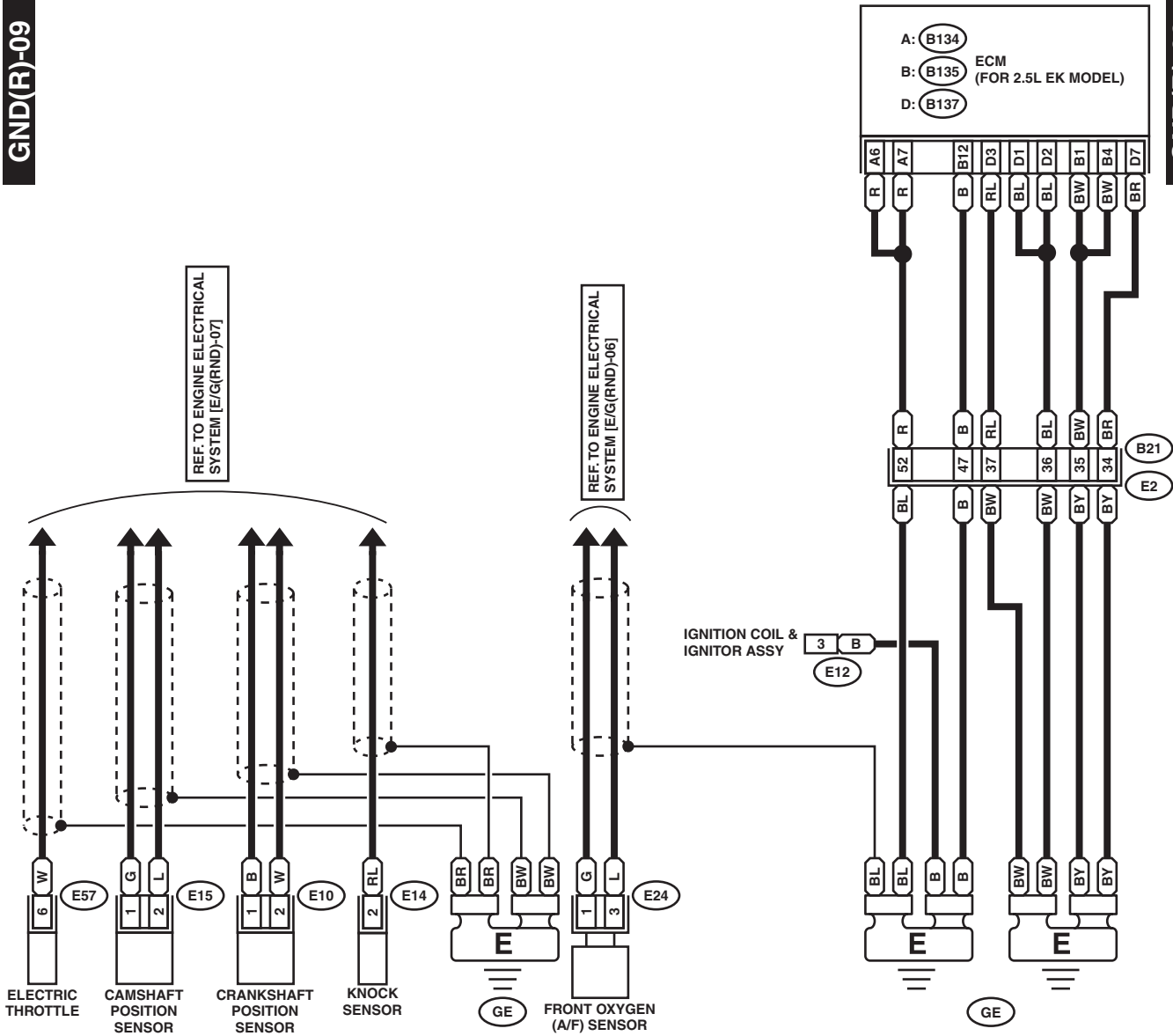
Ground Distribution Circuit

WIRING SYSTEM

11.RHD ENGINE GROUND (3.0 L EK MODEL)

GND(R)-09

GND(R)-09

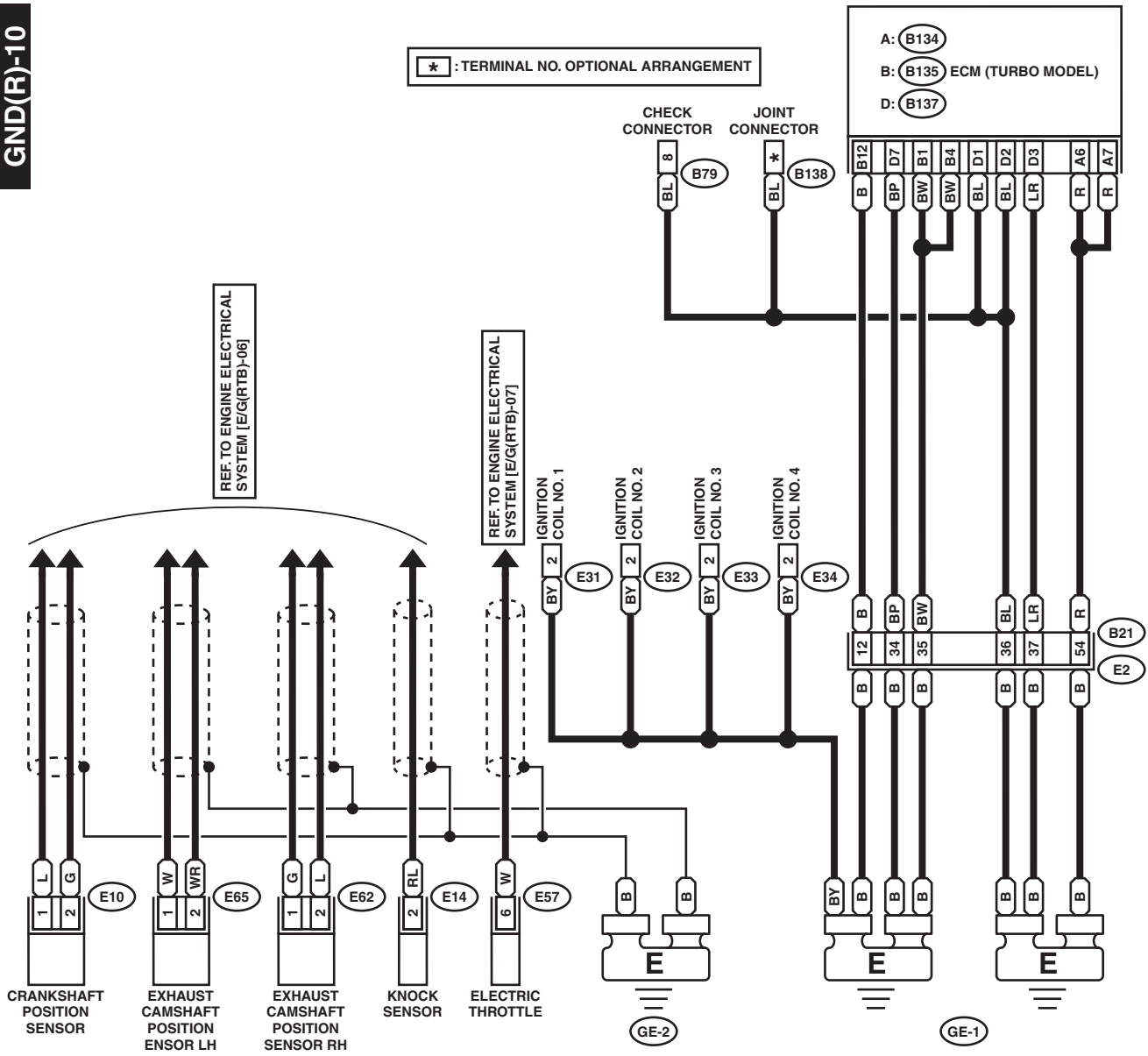


WI-03923

12.RHD ENGINE GROUND (TURBO MODEL)

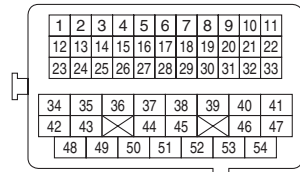
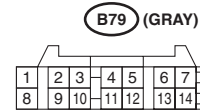
GND(R)-10

GND(R)-10



- (E10) (DARK GRAY)
- (E14) (BROWN)
- (E62) (LIGHT GRAY)
- (E65) (LIGHT GRAY)

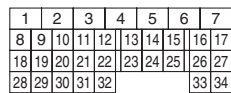
- (E31)
- (E32)
- (E33) (BLACK)
- (E34) (BLACK)



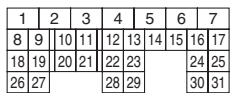
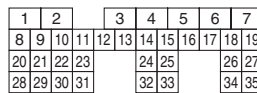
D: (B137)



A: (B134)



B: (B135)

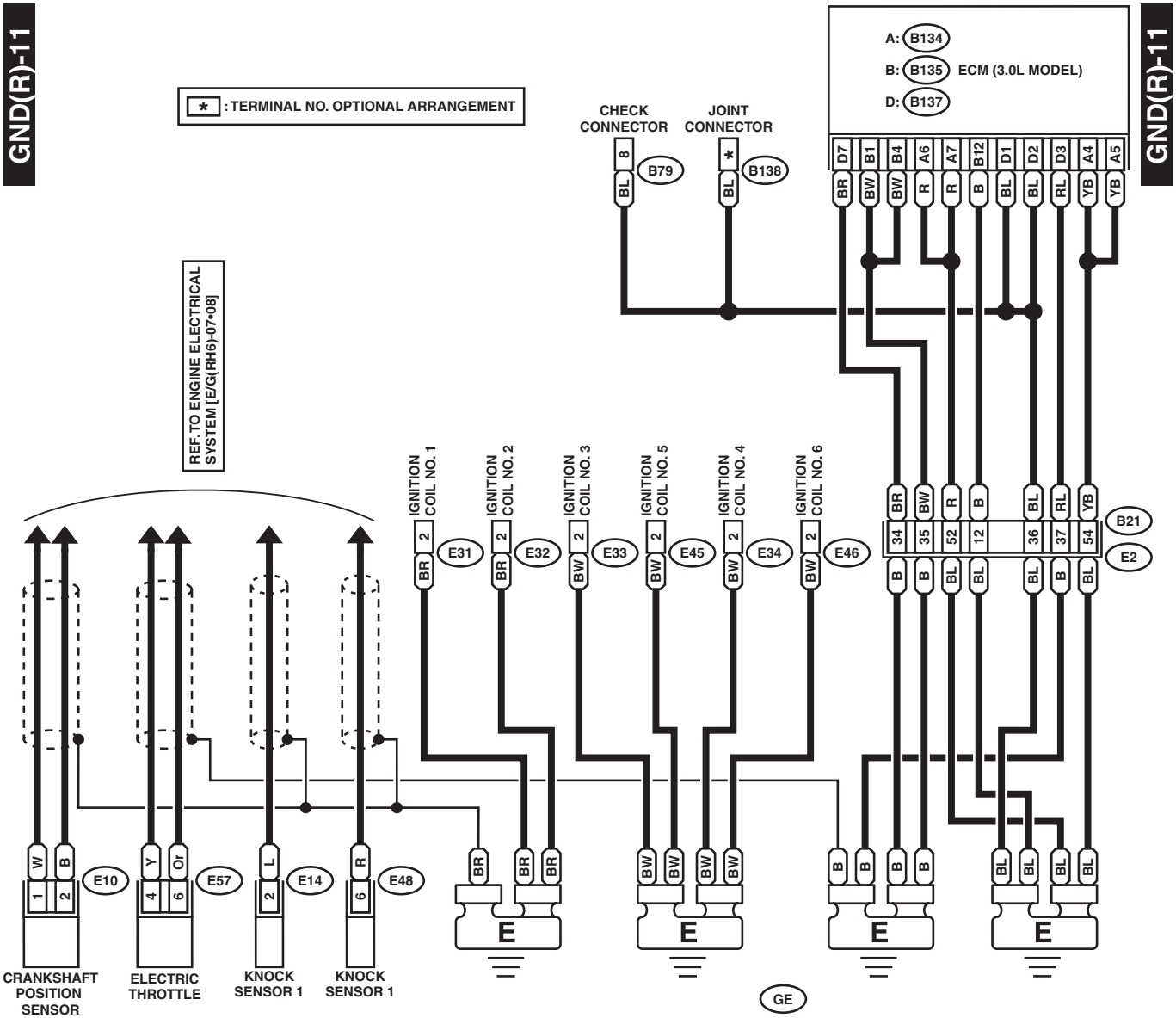


WI-03924

Ground Distribution Circuit

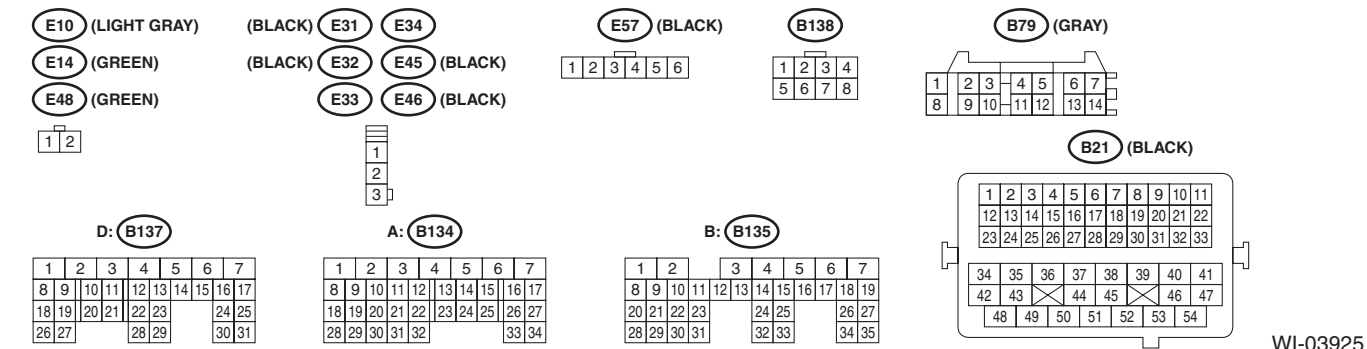
WIRING SYSTEM

13.RHD ENGINE GROUND (3.0 L MODEL)



* : TERMINAL NO. OPTIONAL ARRANGEMENT

REF. TO ENGINE ELECTRICAL SYSTEM [E/G(RH6)-07-08]

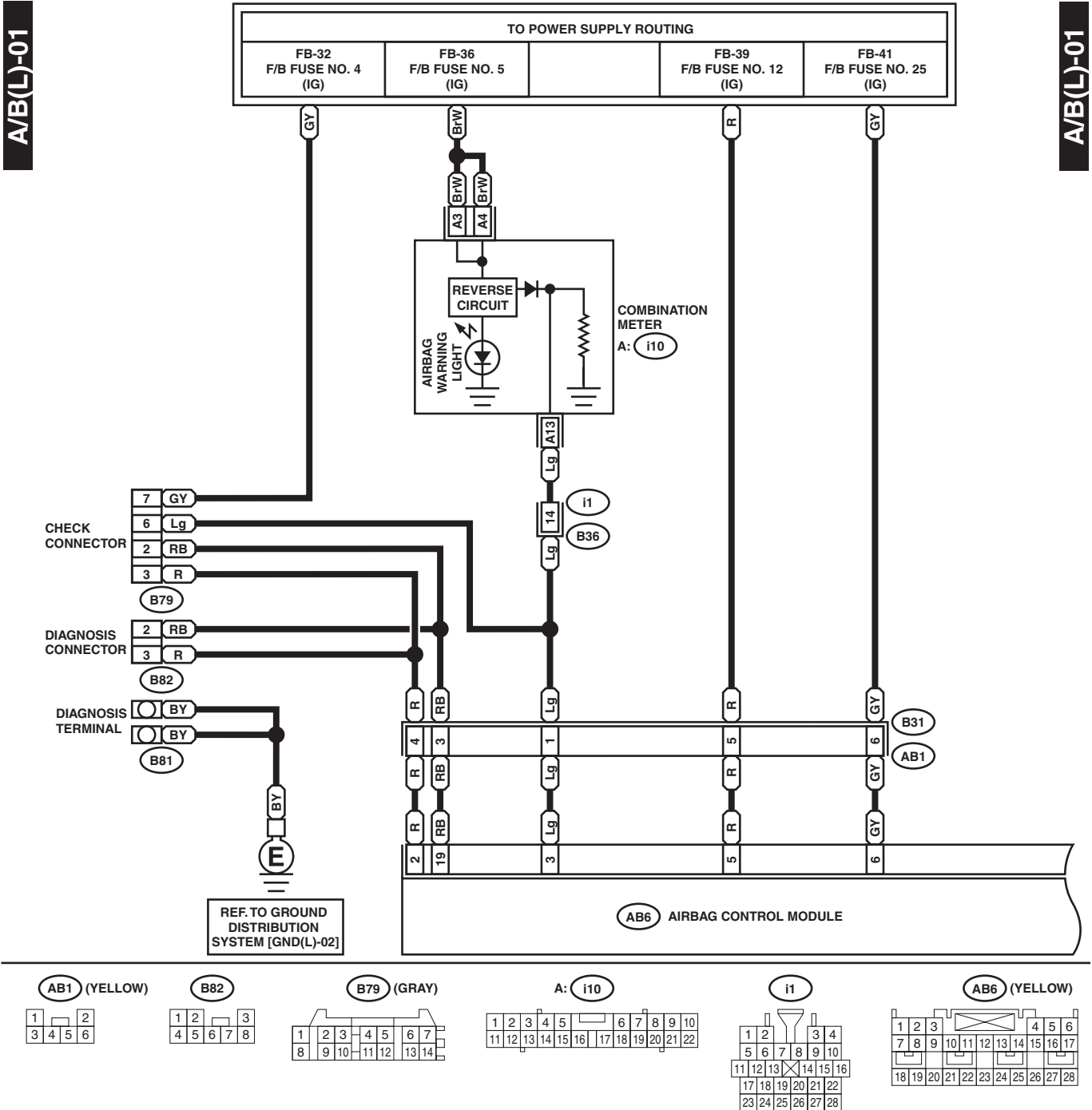


WI-03925

5. Airbag System

A: WIRING DIAGRAM

1. LHD MODEL

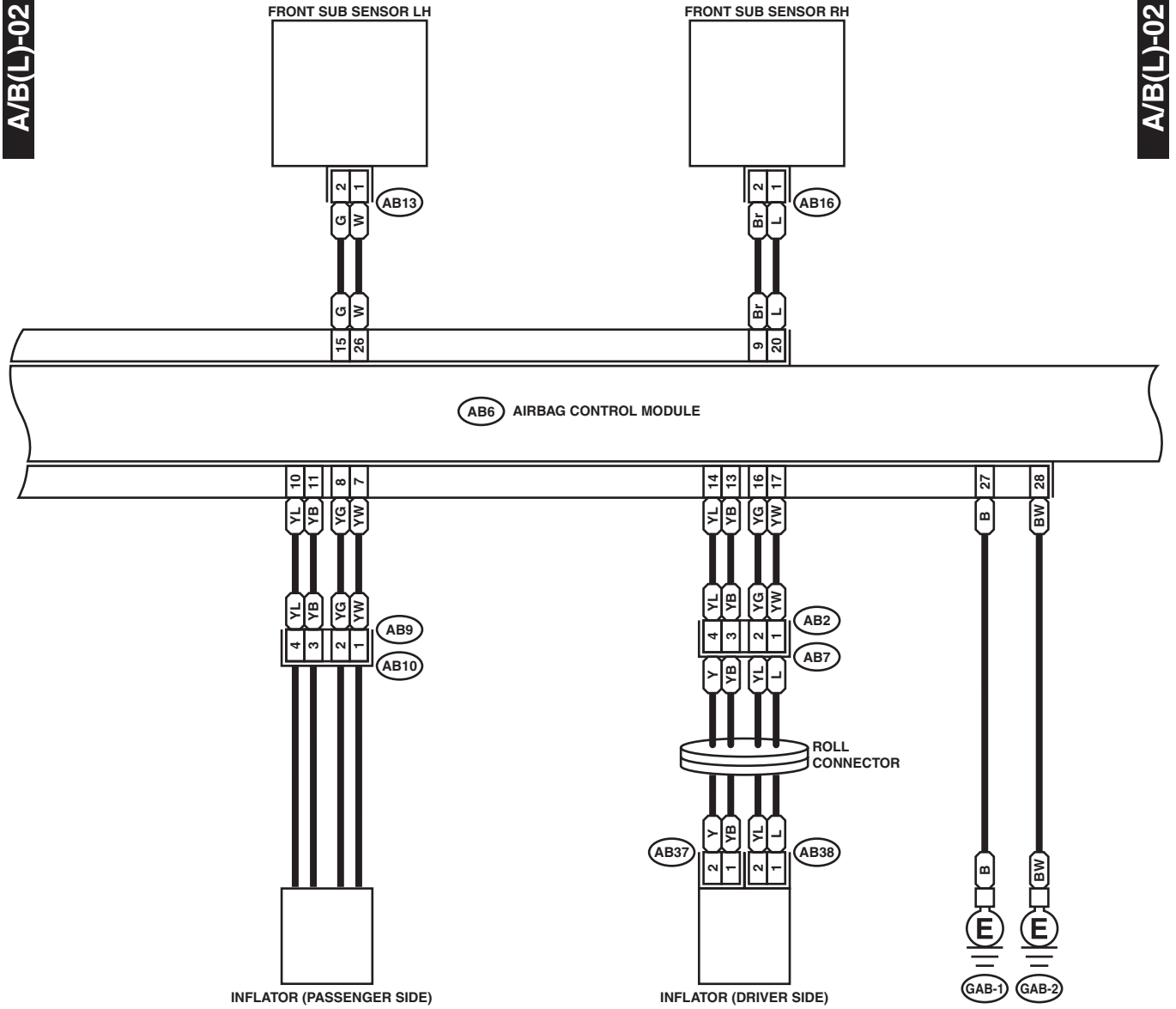


Airbag System

WIRING SYSTEM

A/B(L)-02

A/B(L)-02



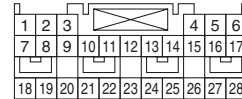
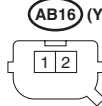
AB37 (ORANGE)

AB38 (BLACK)

AB13 (YELLOW)

AB2 (YELLOW)

AB6 (YELLOW)

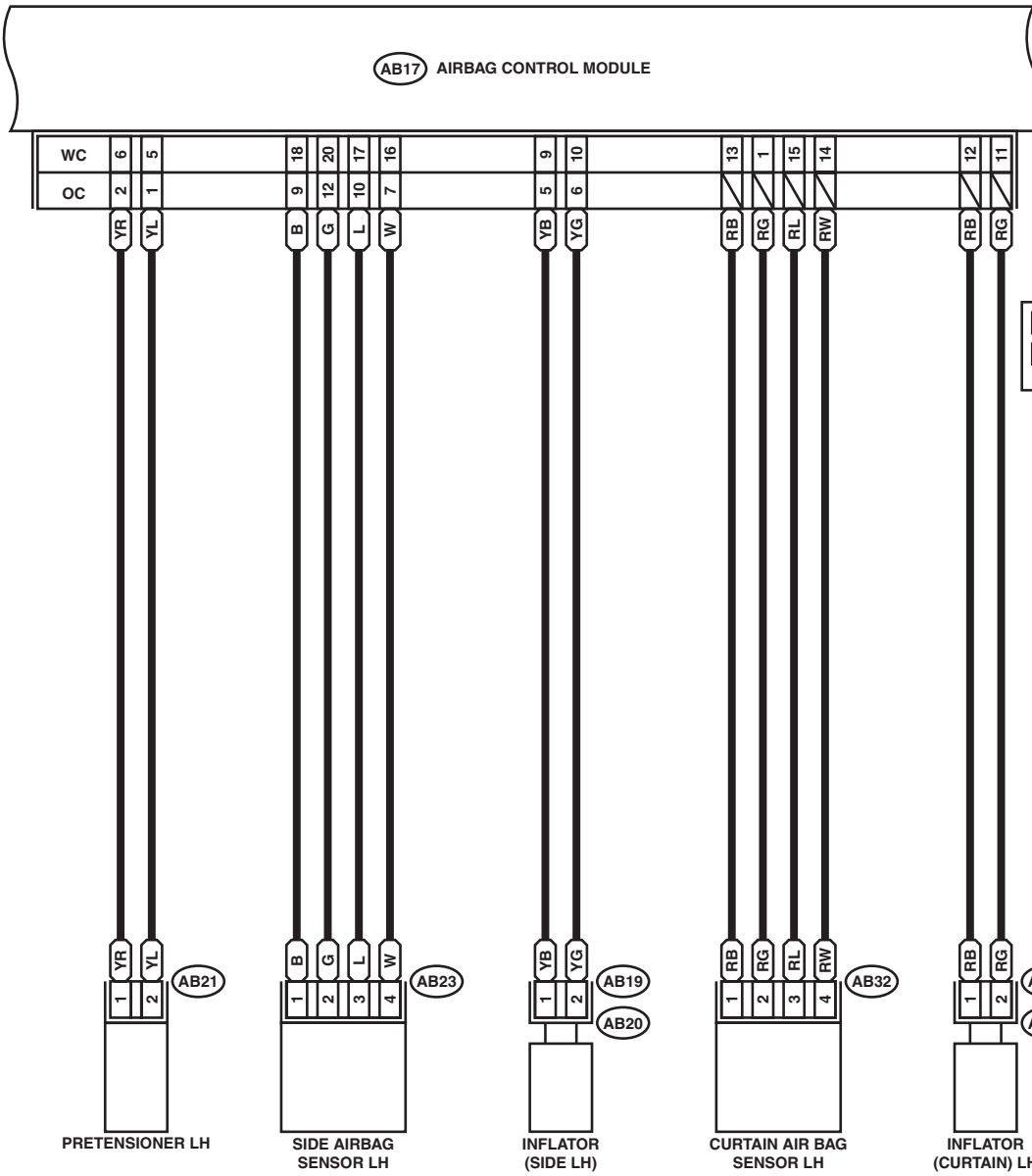


WI-03927

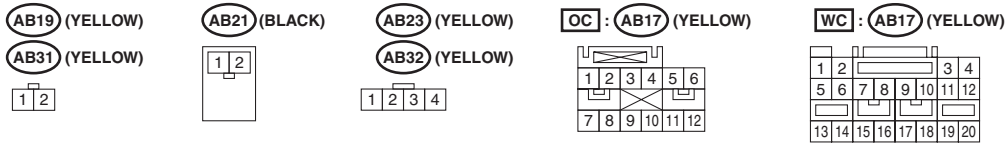
Airbag System

A/B(L)-03

A/B(L)-03

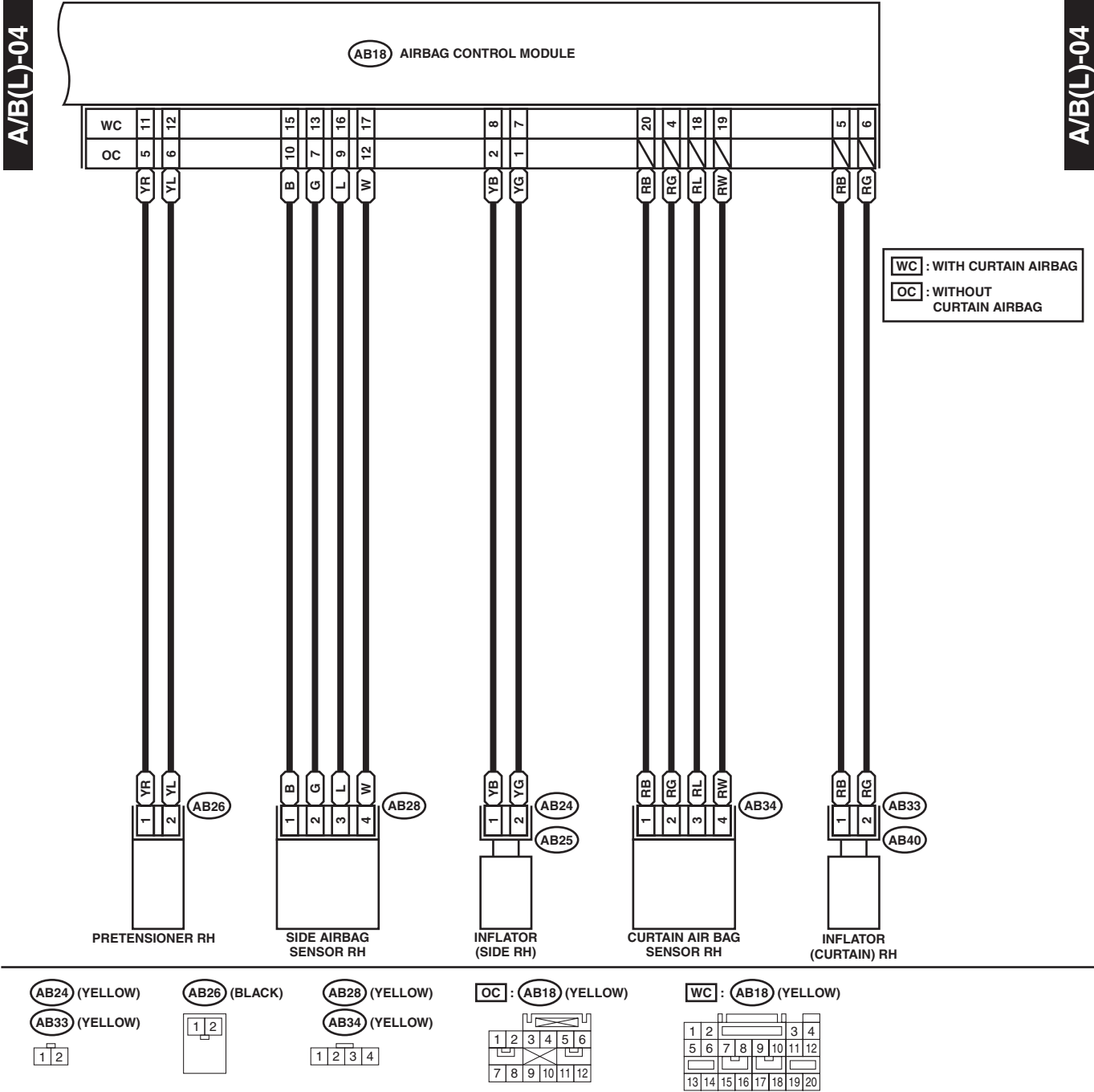


WC : WITH CURTAIN AIRBAG
OC : WITHOUT CURTAIN AIRBAG



Airbag System

WIRING SYSTEM



WI-03929

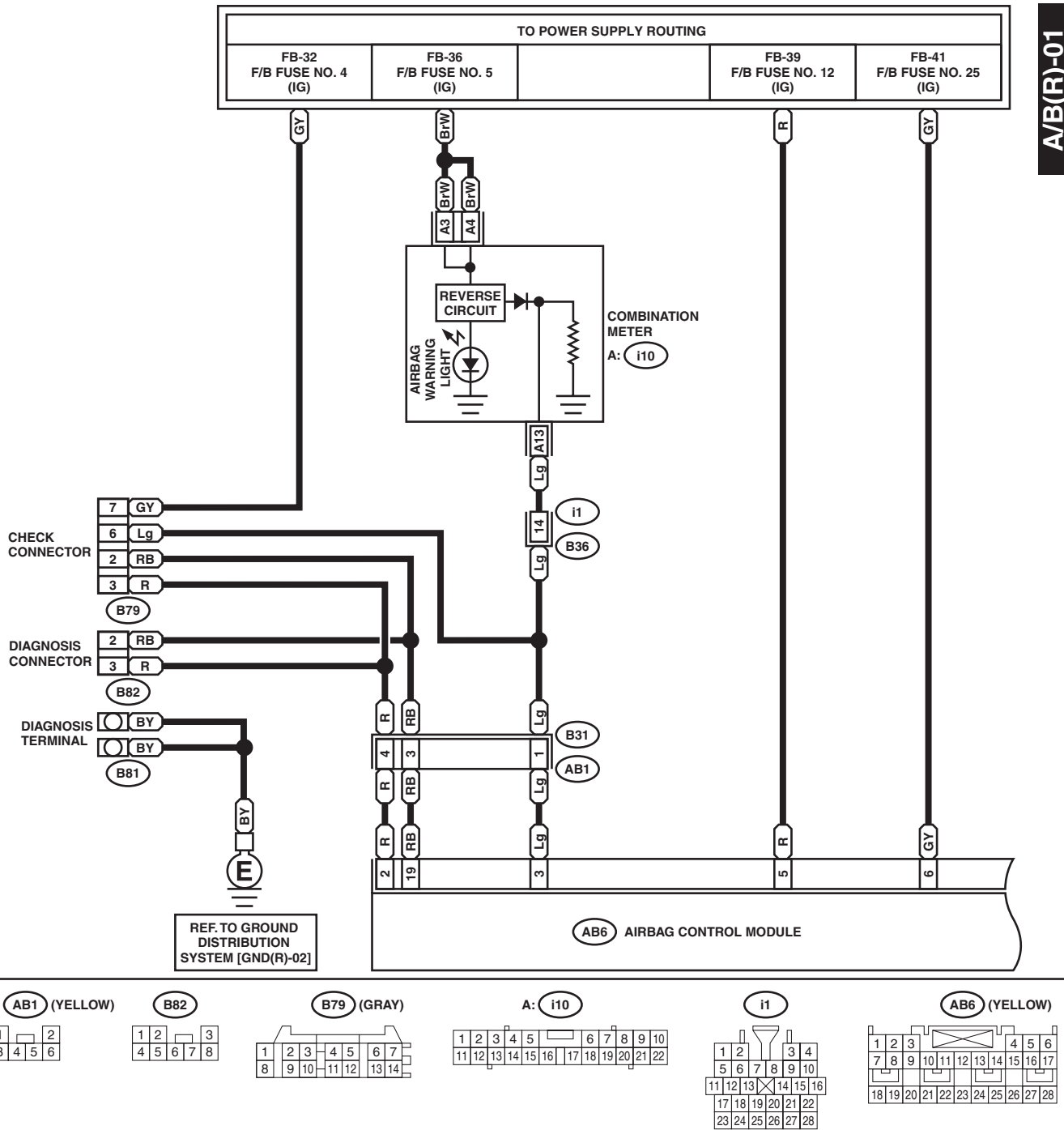
Airbag System

WIRING SYSTEM

2. RHD MODEL

A/B(R)-01

A/B(R)-01



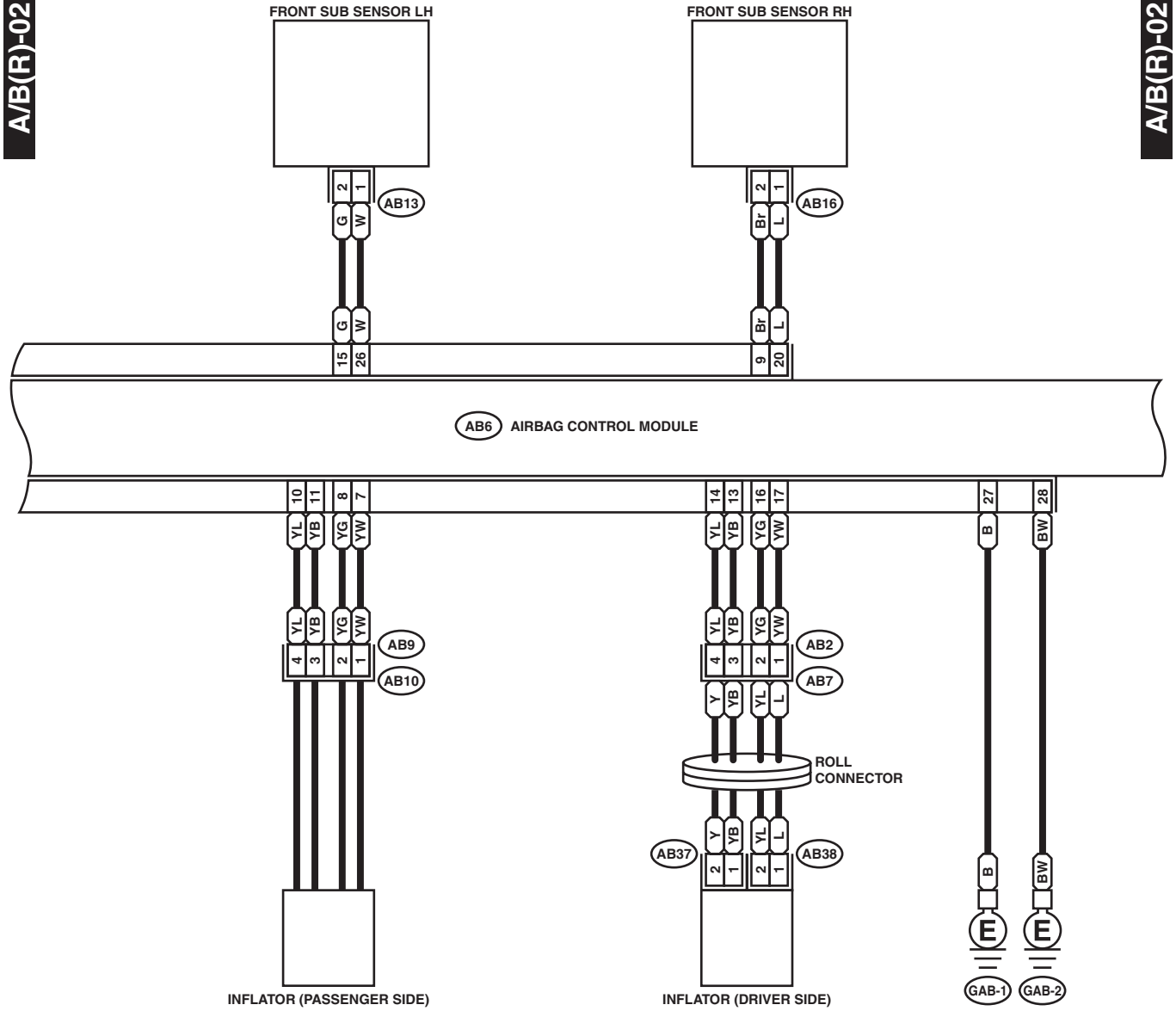
WI-03930

Airbag System

WIRING SYSTEM

A/B(R)-02

A/B(R)-02



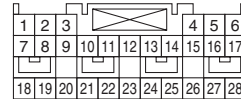
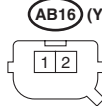
AB37 (ORANGE)

AB38 (BLACK)

AB13 (YELLOW)

AB2 (YELLOW)

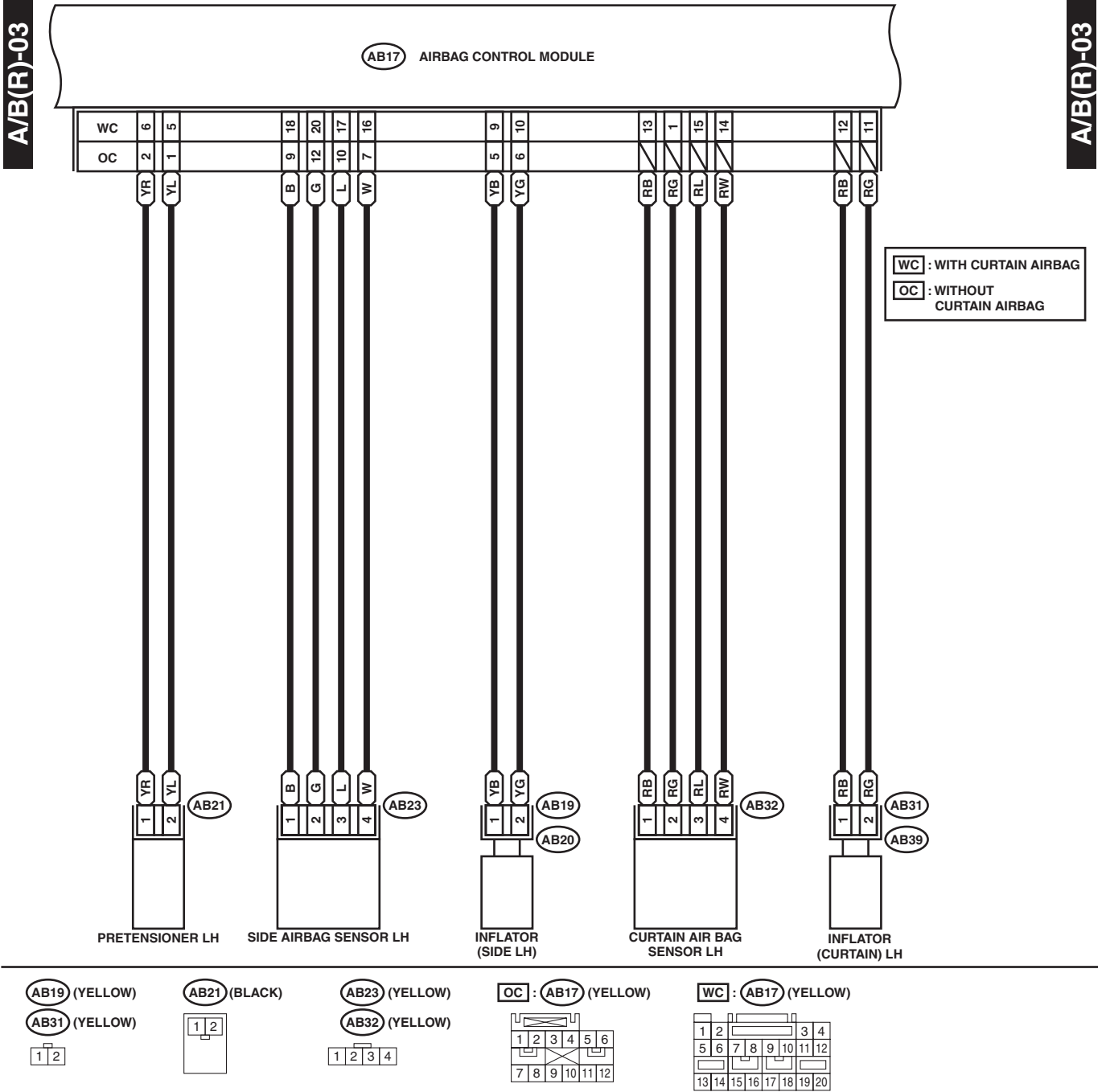
AB6 (YELLOW)



WI-03931

Airbag System

WIRING SYSTEM



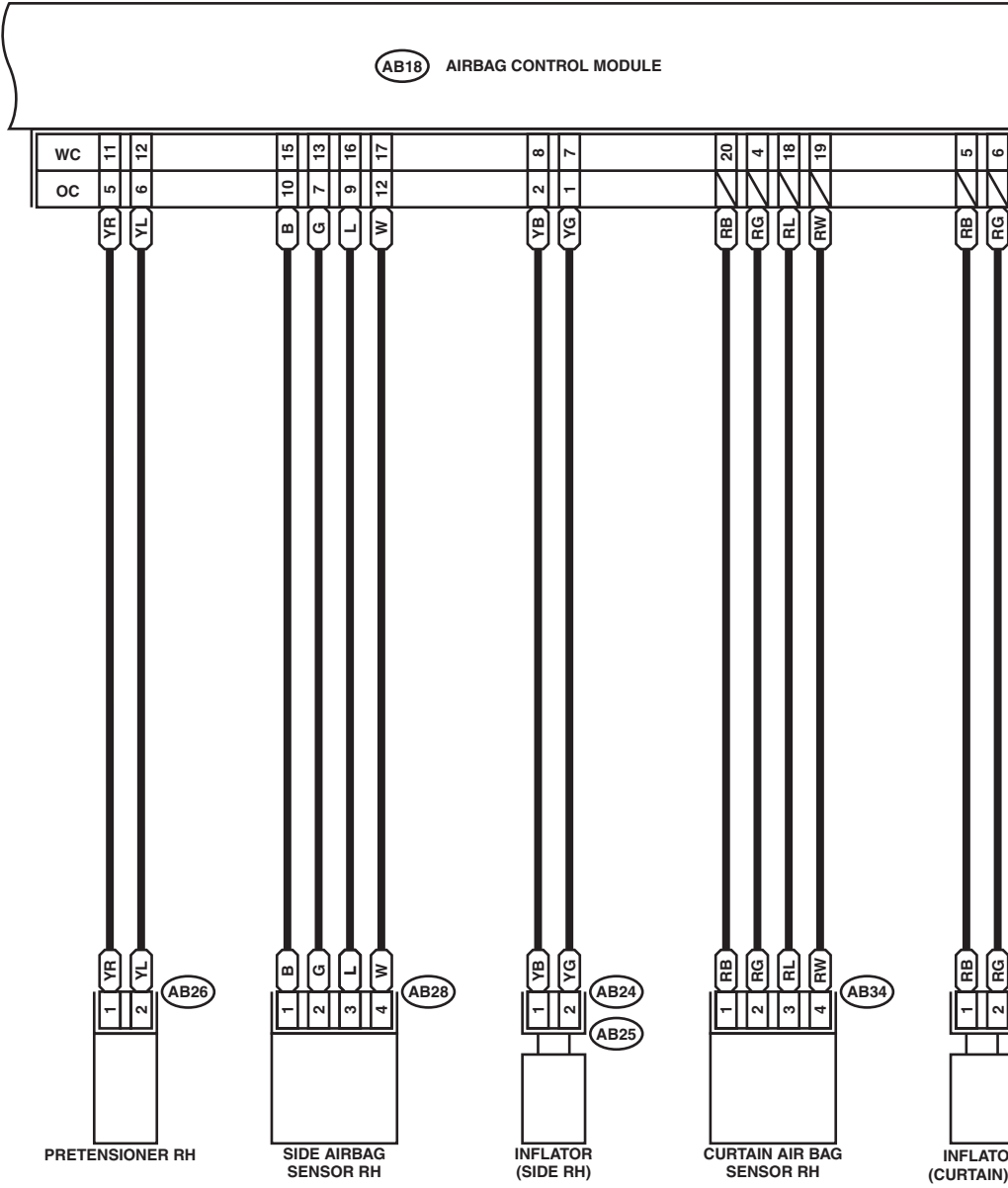
WI-03932

Airbag System

WIRING SYSTEM

A/B(R)-04

A/B(R)-04



WC : WITH CURTAIN AIRBAG
OC : WITHOUT CURTAIN AIRBAG

AB24 (YELLOW)

AB26 (BLACK)

AB28 (YELLOW)

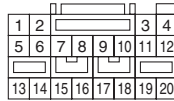
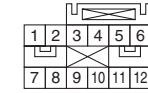
OC : AB18 (YELLOW)

WC : AB18 (YELLOW)

AB33 (YELLOW)



AB34 (YELLOW)



WI-03933

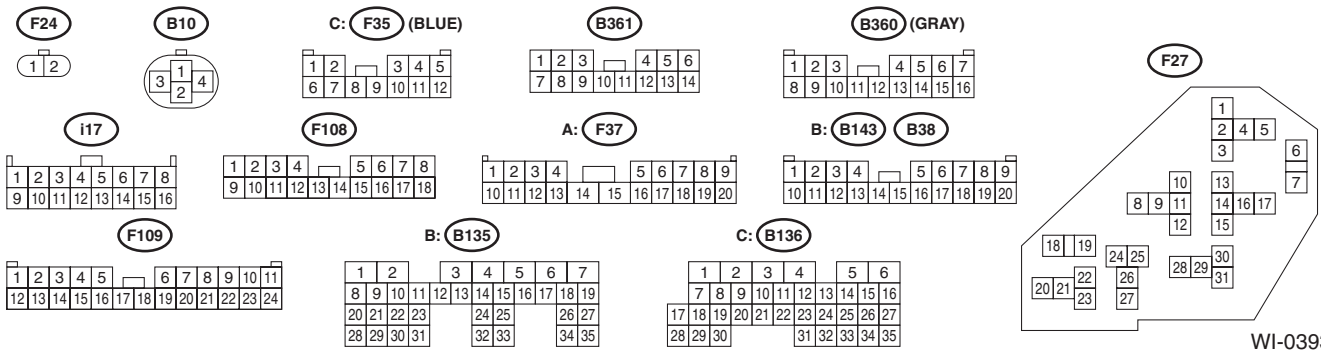
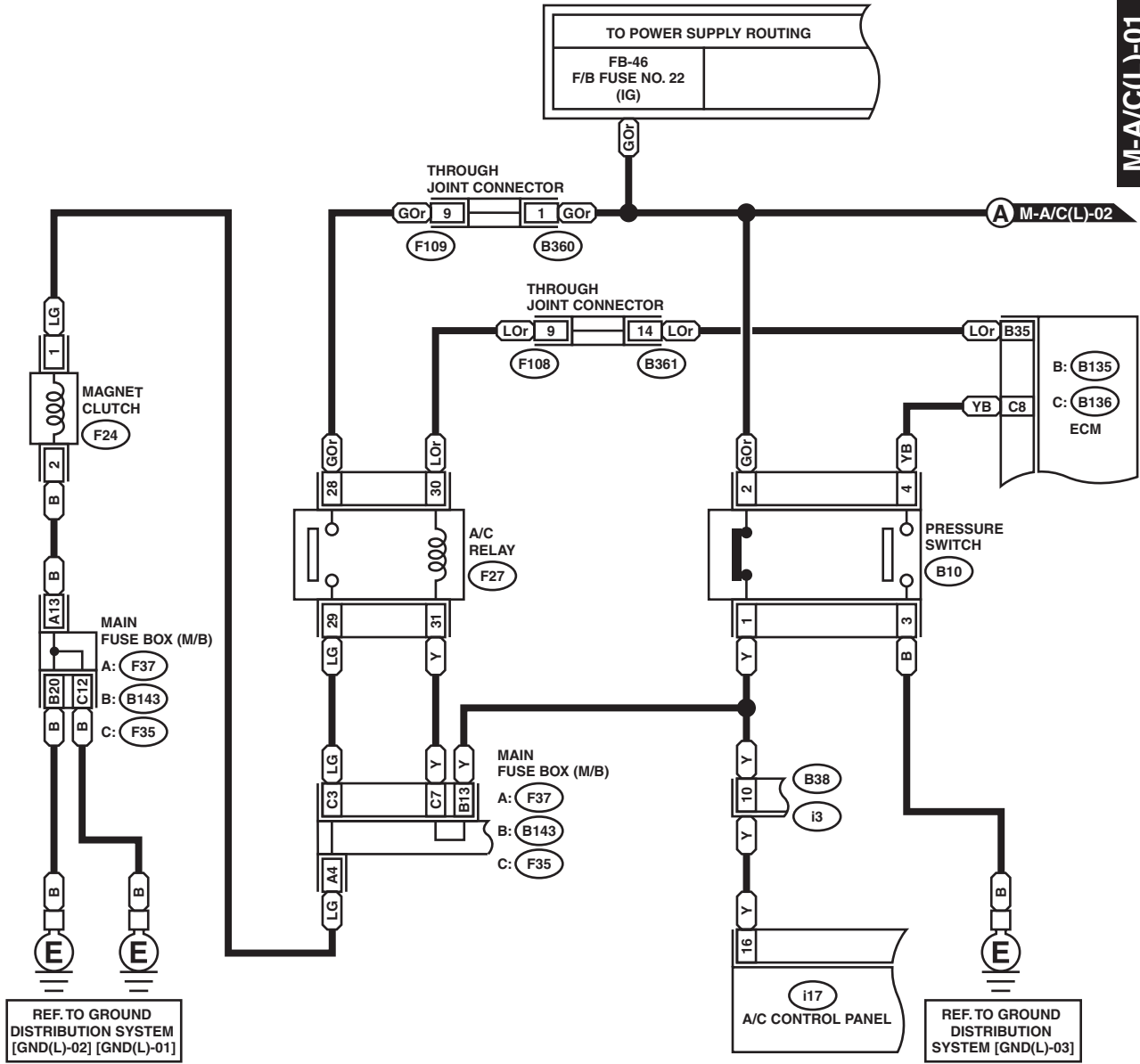
6. Air Conditioning System

A: WIRING DIAGRAM

1. MANUAL A/C LHD MODEL

M-A/C(L)-01

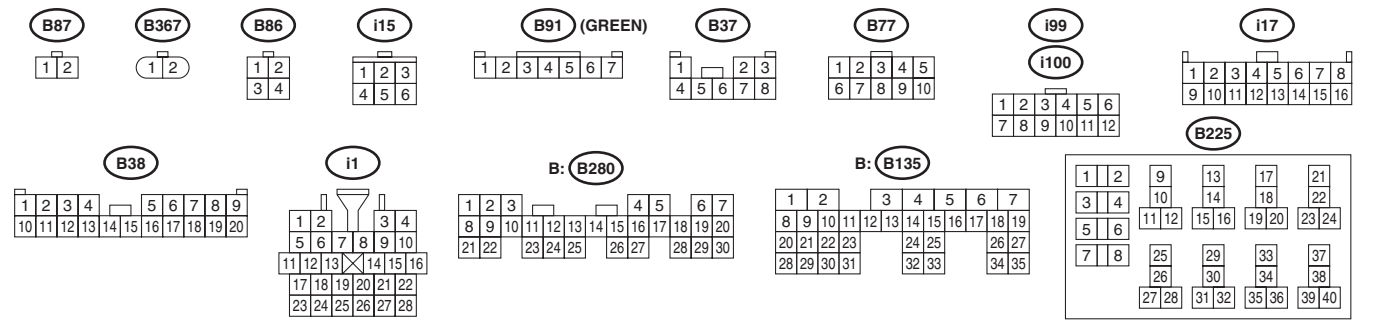
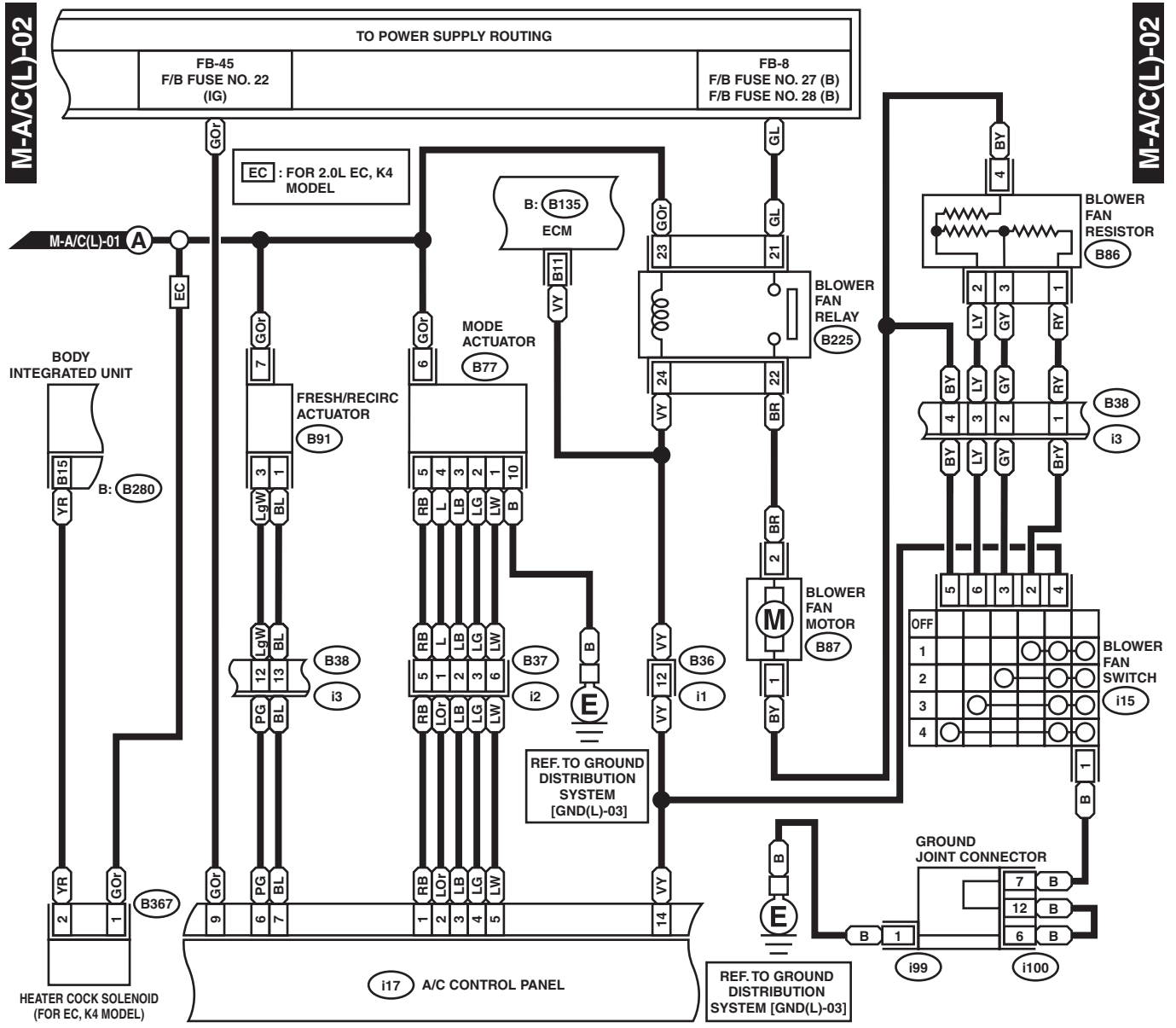
M-A/C(L)-01



WI-03934

Air Conditioning System

WIRING SYSTEM



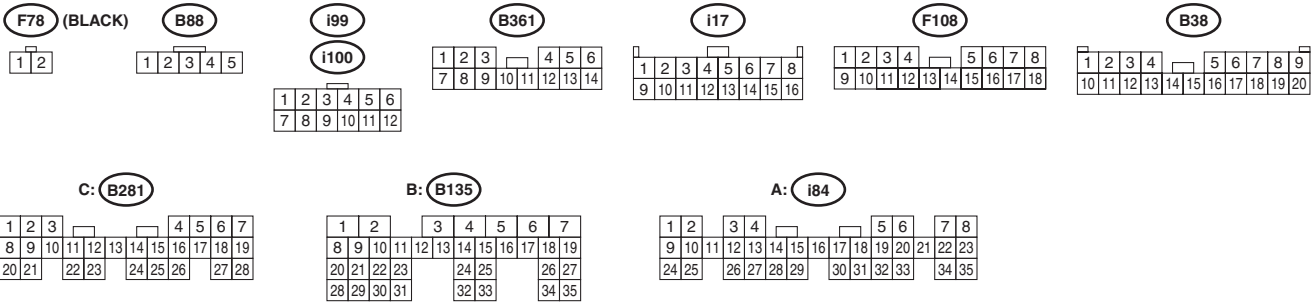
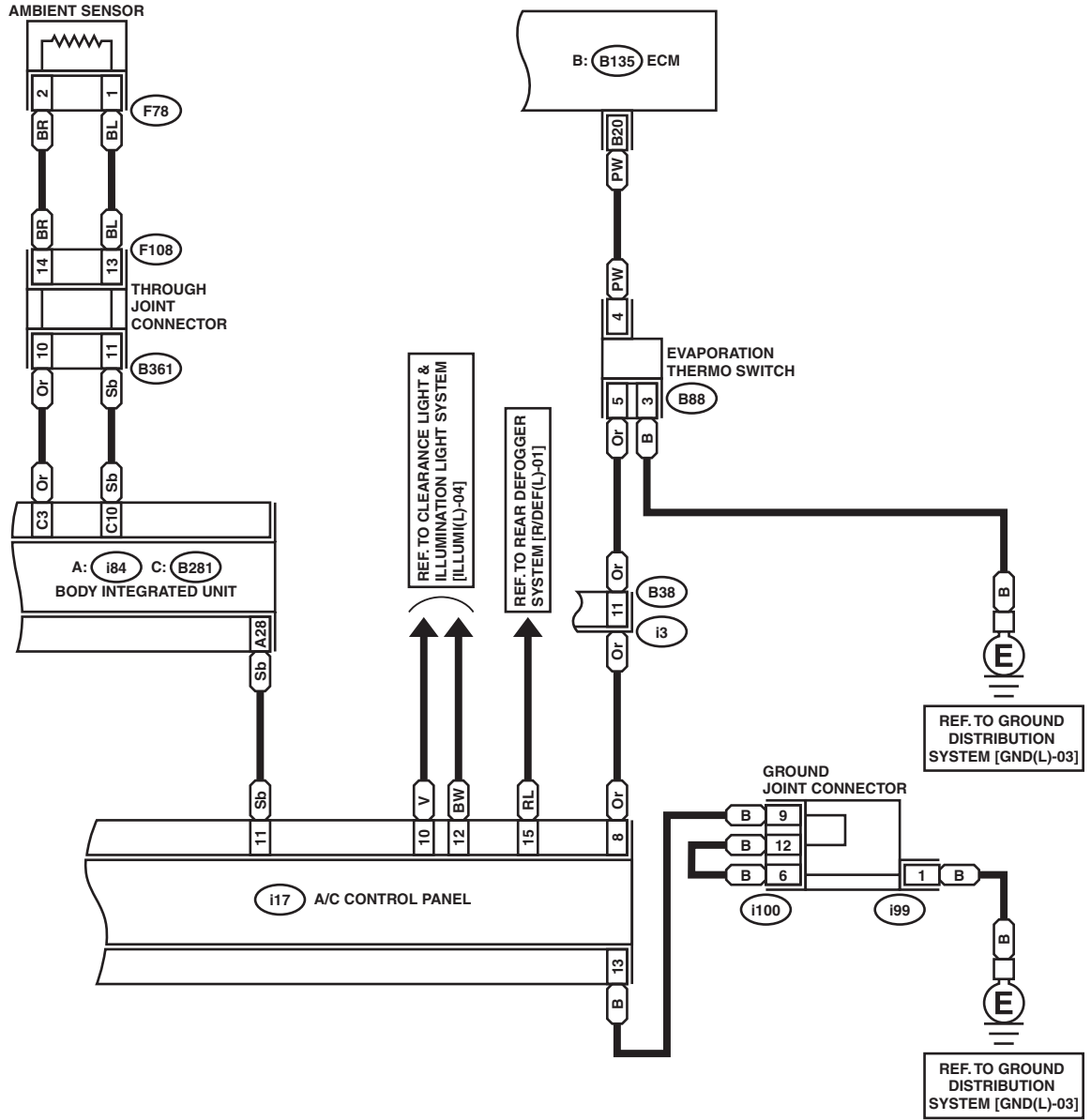
WI-03935

Air Conditioning System

WIRING SYSTEM

M-A/C(L)-03

M-A/C(L)-03

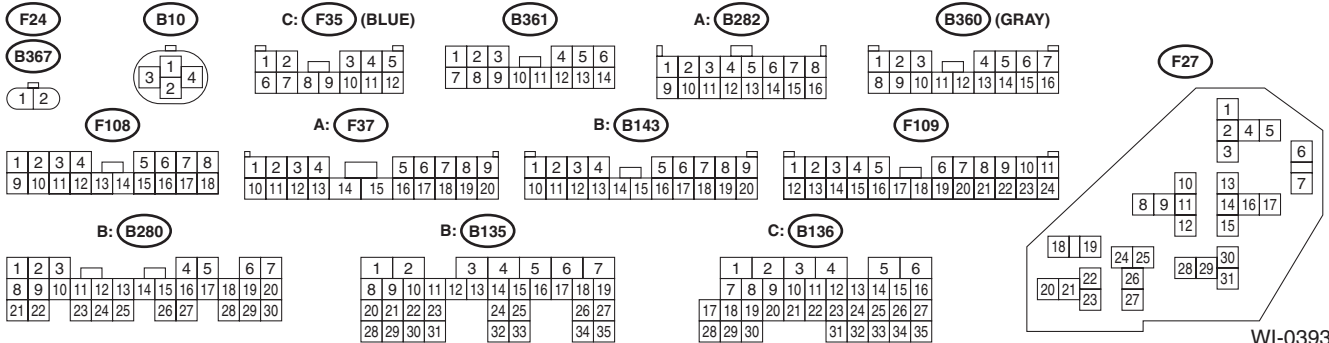
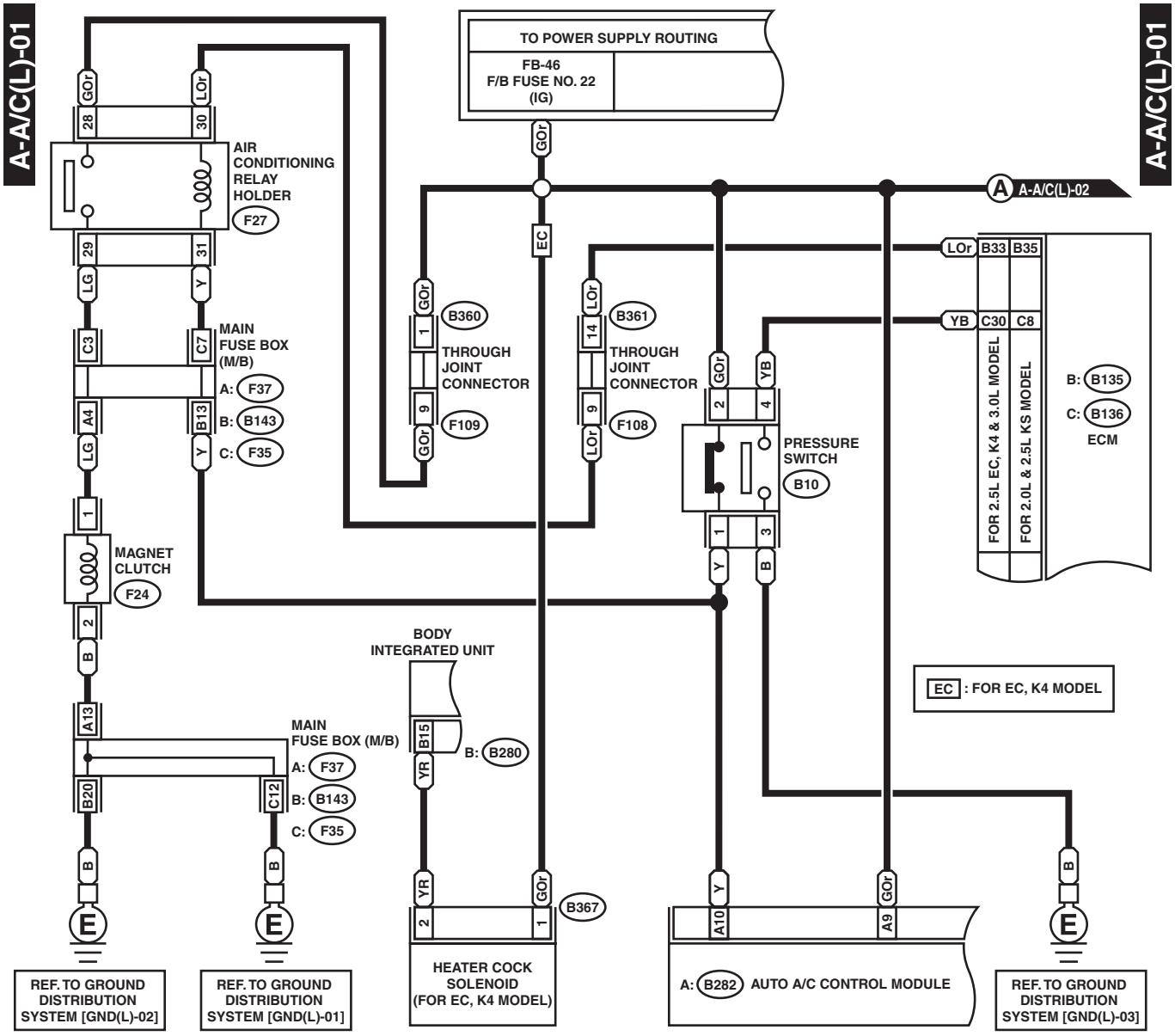


WI-03936

Air Conditioning System

WIRING SYSTEM

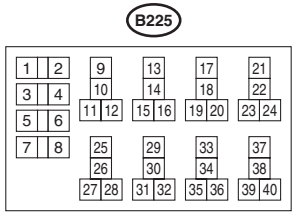
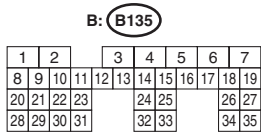
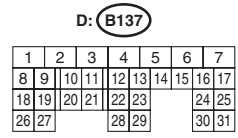
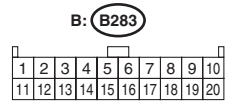
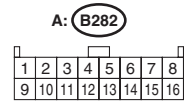
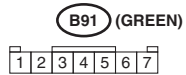
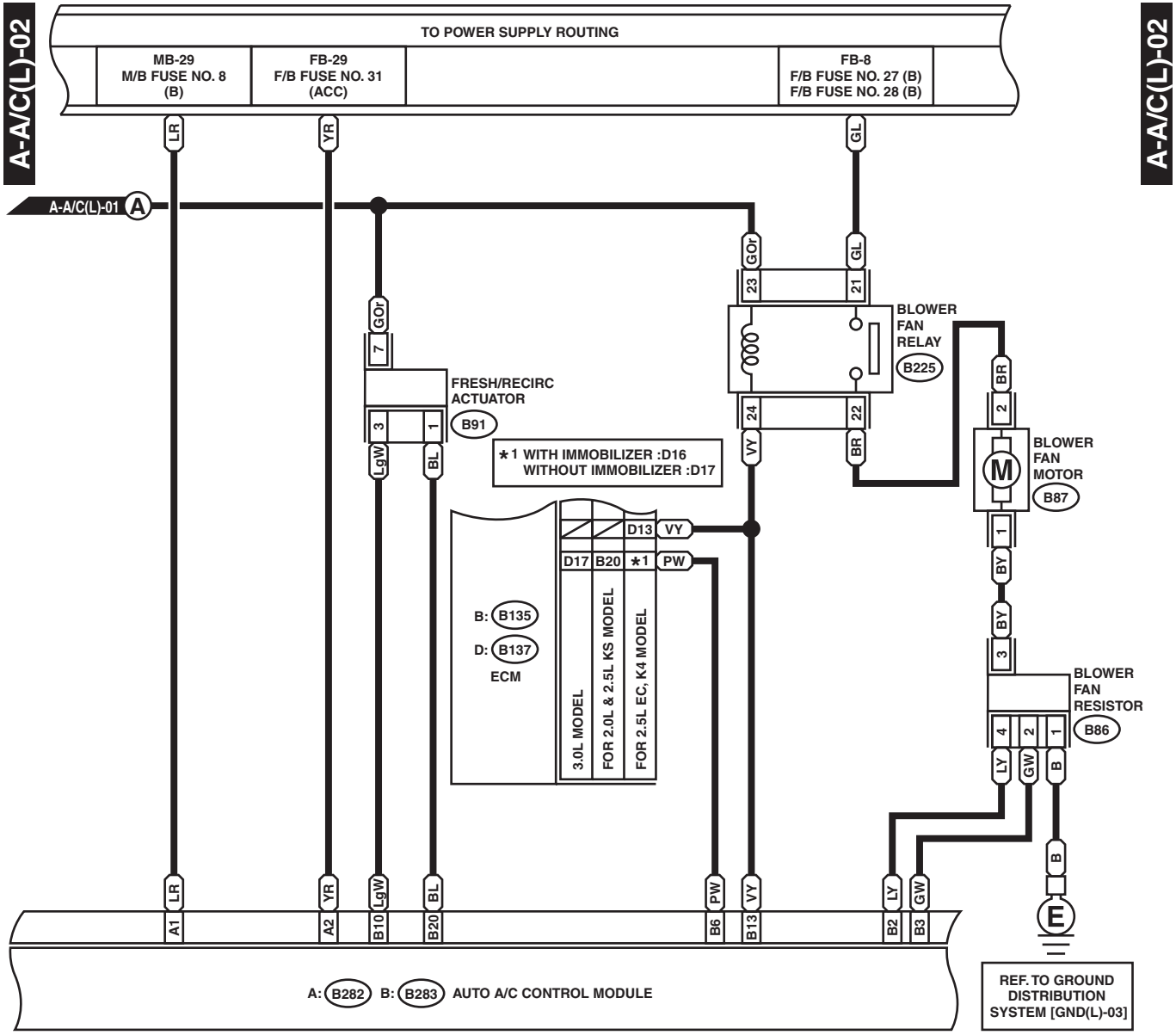
2. AUTO A/C LHD MODEL



WI-03937

Air Conditioning System

WIRING SYSTEM



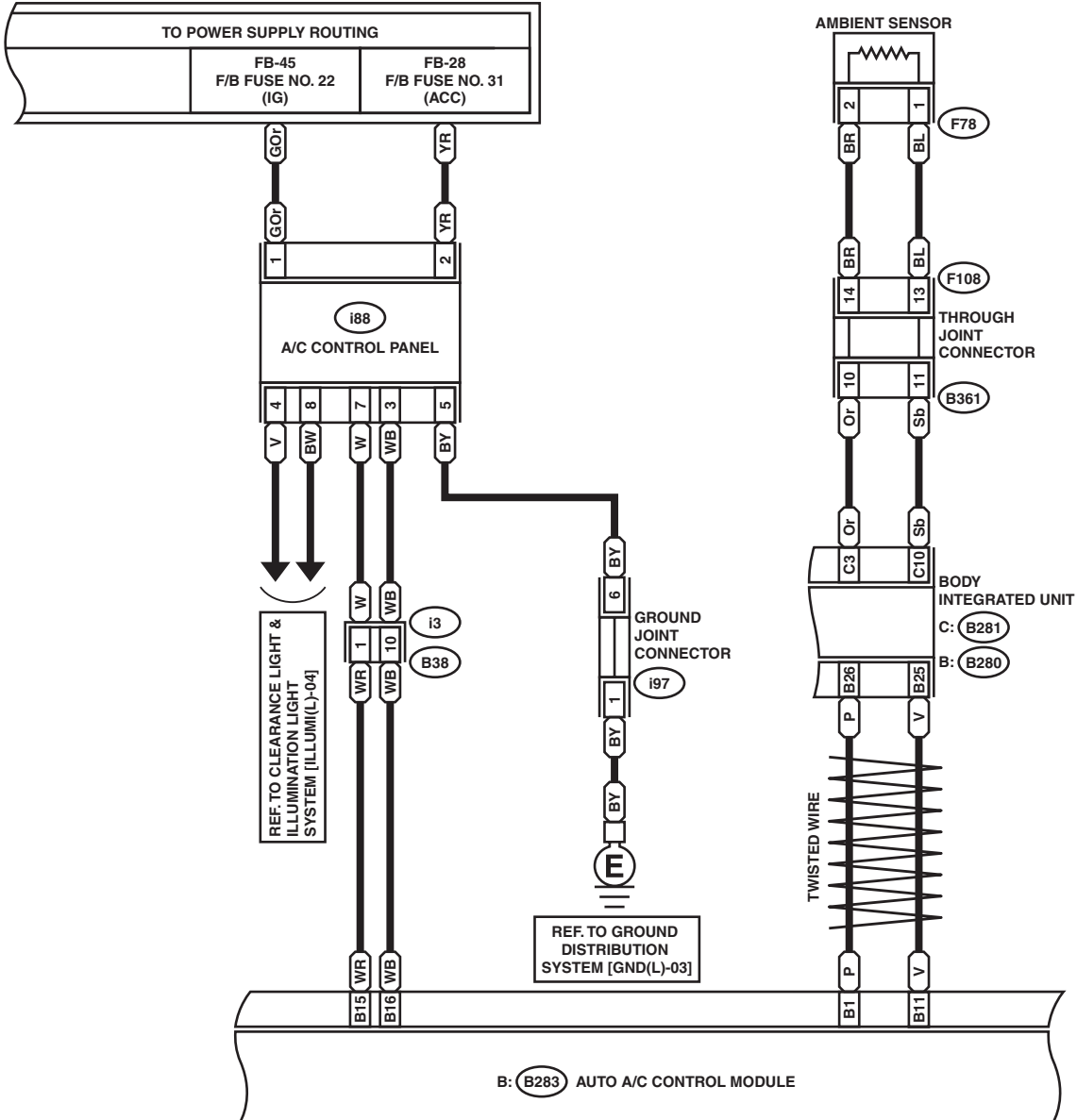
WI-03938

Air Conditioning System

WIRING SYSTEM

A-A/C(L)-03

A-A/C(L)-03



F78 (BLACK)

1	2
---	---

i88

1	2	3	4
5	6	7	8

i97

1	2	3	4	5	6
7	8	9	10	11	12

B361

1	2	3		4	5	6	
7	8	9	10	11	12	13	14

F108

1	2	3	4		5	6	7	8	
9	10	11	12	13	14	15	16	17	18

B38

1	2	3	4		5	6	7	8	9	
10	11	12	13	14	15	16	17	18	19	20

B: B283

1	2	3	4	5		6	7	8	9	10
11	12	13	14	15	16	17	18	19	20	

C: B281

1	2	3			4	5	6	7			
8	9	10	11	12	13	14	15	16	17	18	19
20	21	22	23	24	25	26	27	28			

B: B280

1	2	3			4	5	6	7				
8	9	10	11	12	13	14	15	16	17	18	19	20
21	22	23	24	25	26	27	28	29	30			

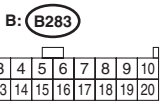
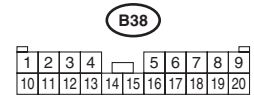
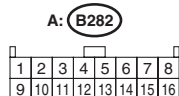
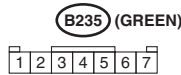
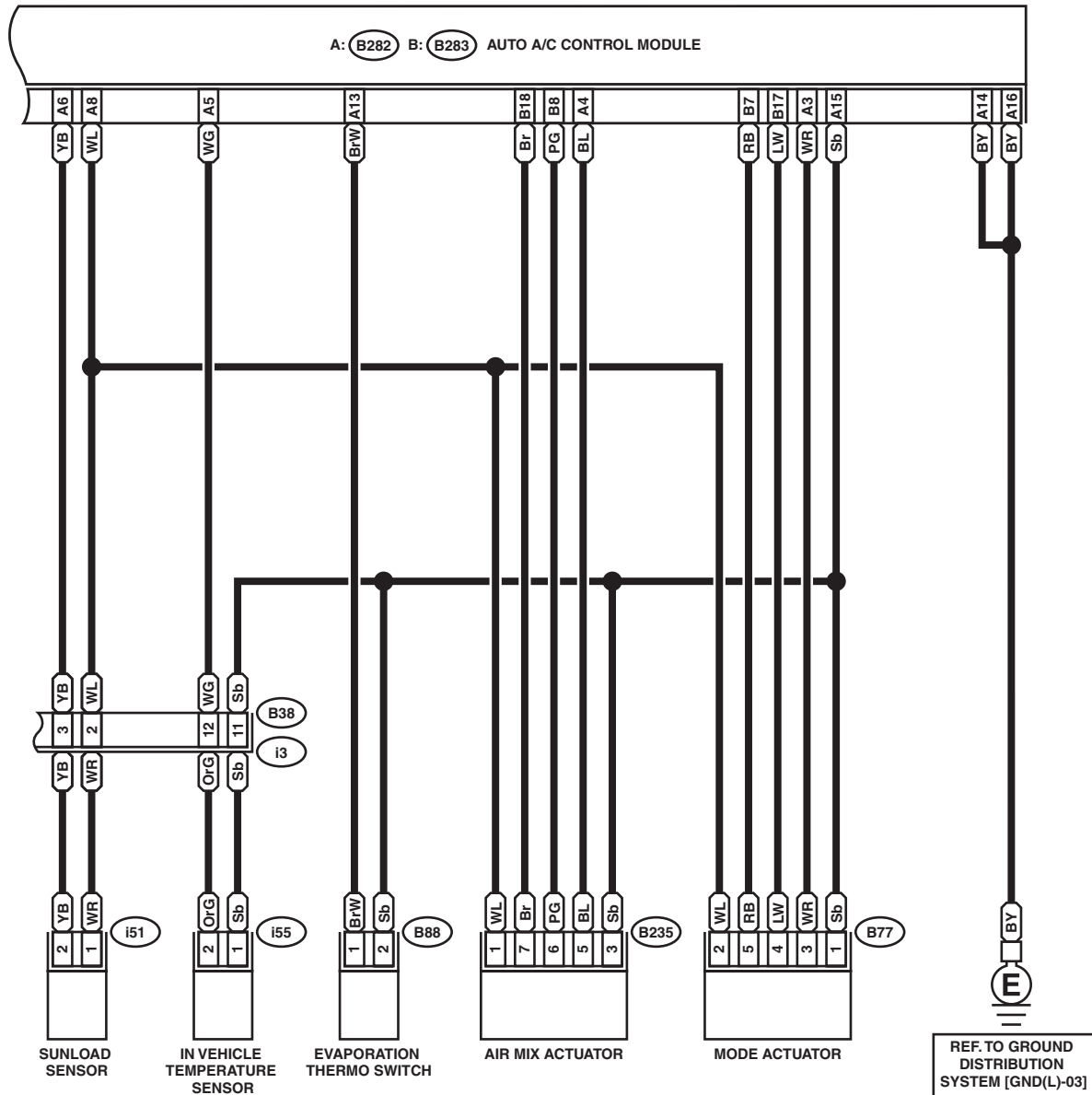
WI-03939

Air Conditioning System

WIRING SYSTEM

A-A/C(L)-04

A-A/C(L)-04



WI-03940

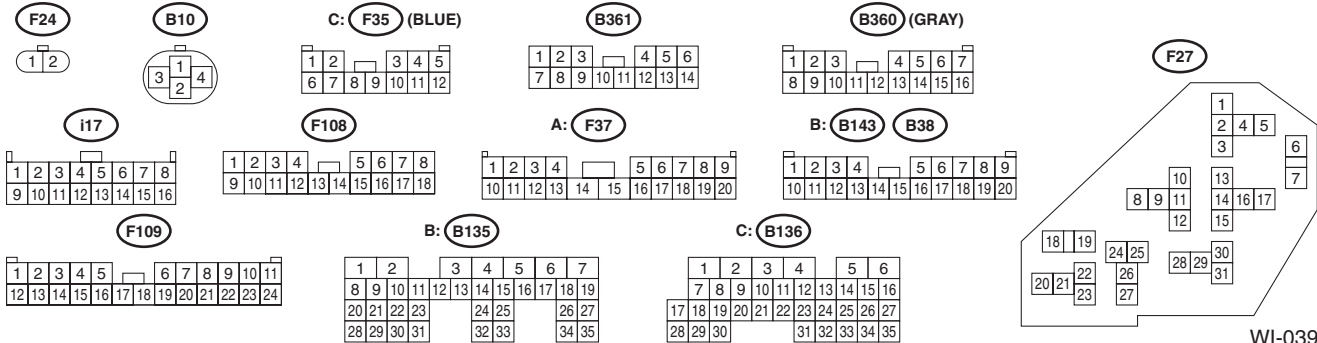
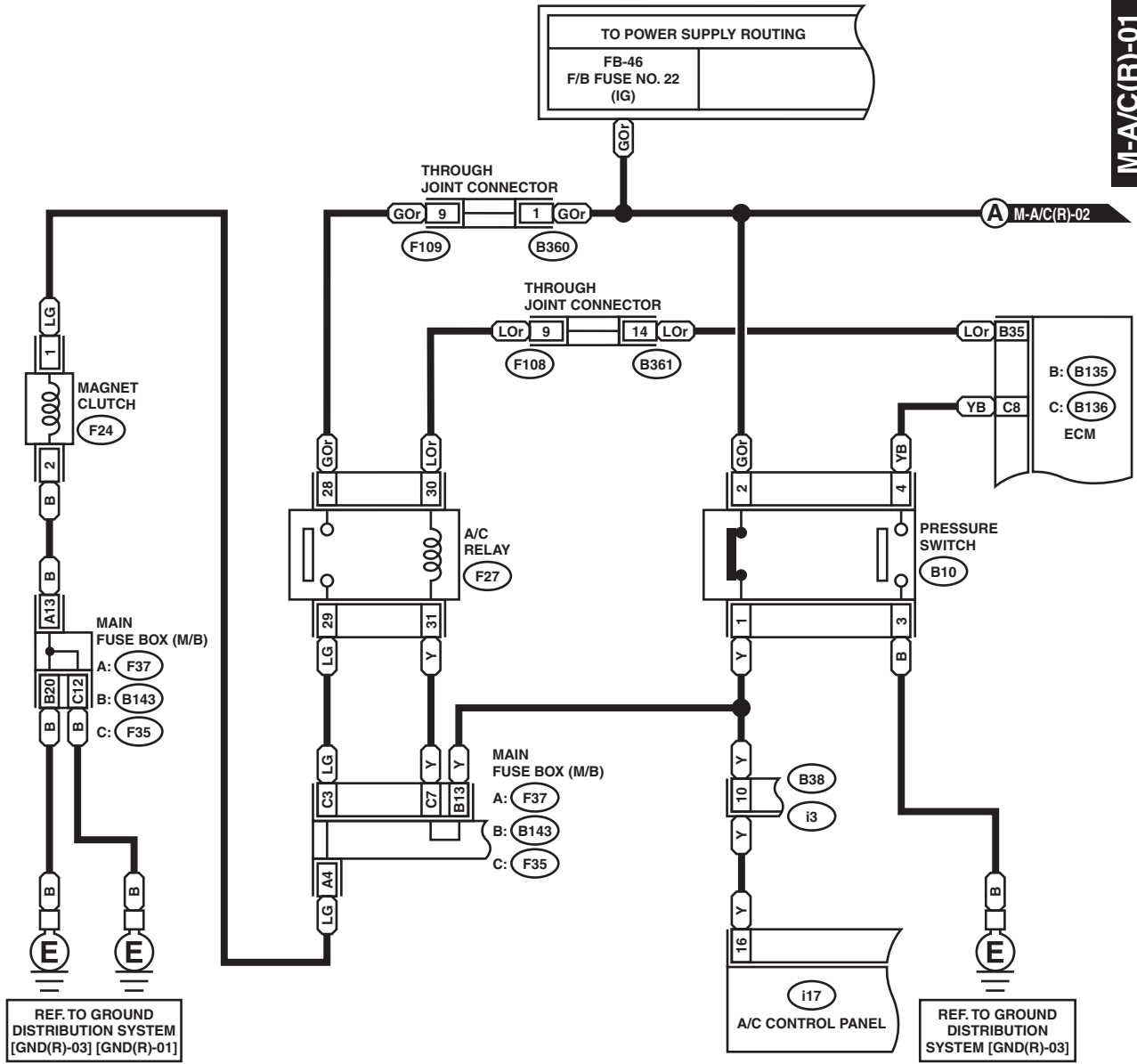
Air Conditioning System

WIRING SYSTEM

3. MANUAL A/C RHD MODEL

M-A/C(R)-01

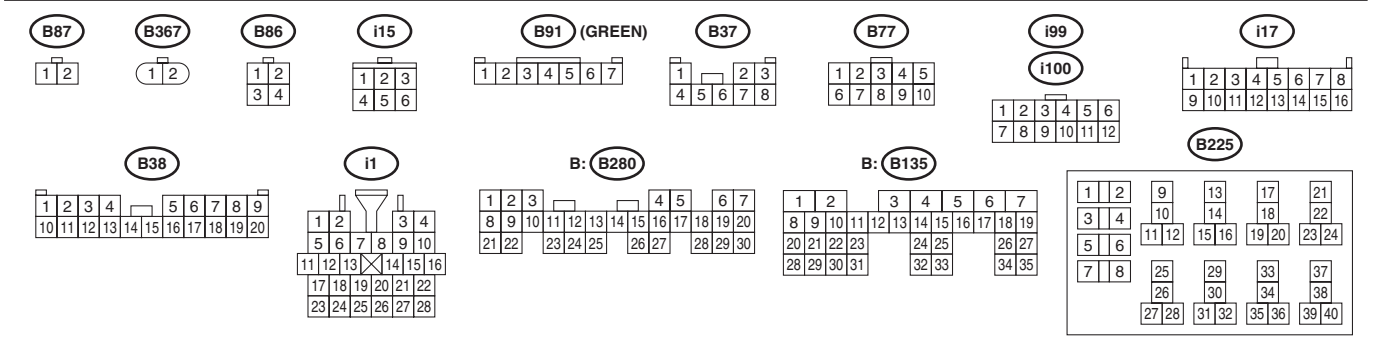
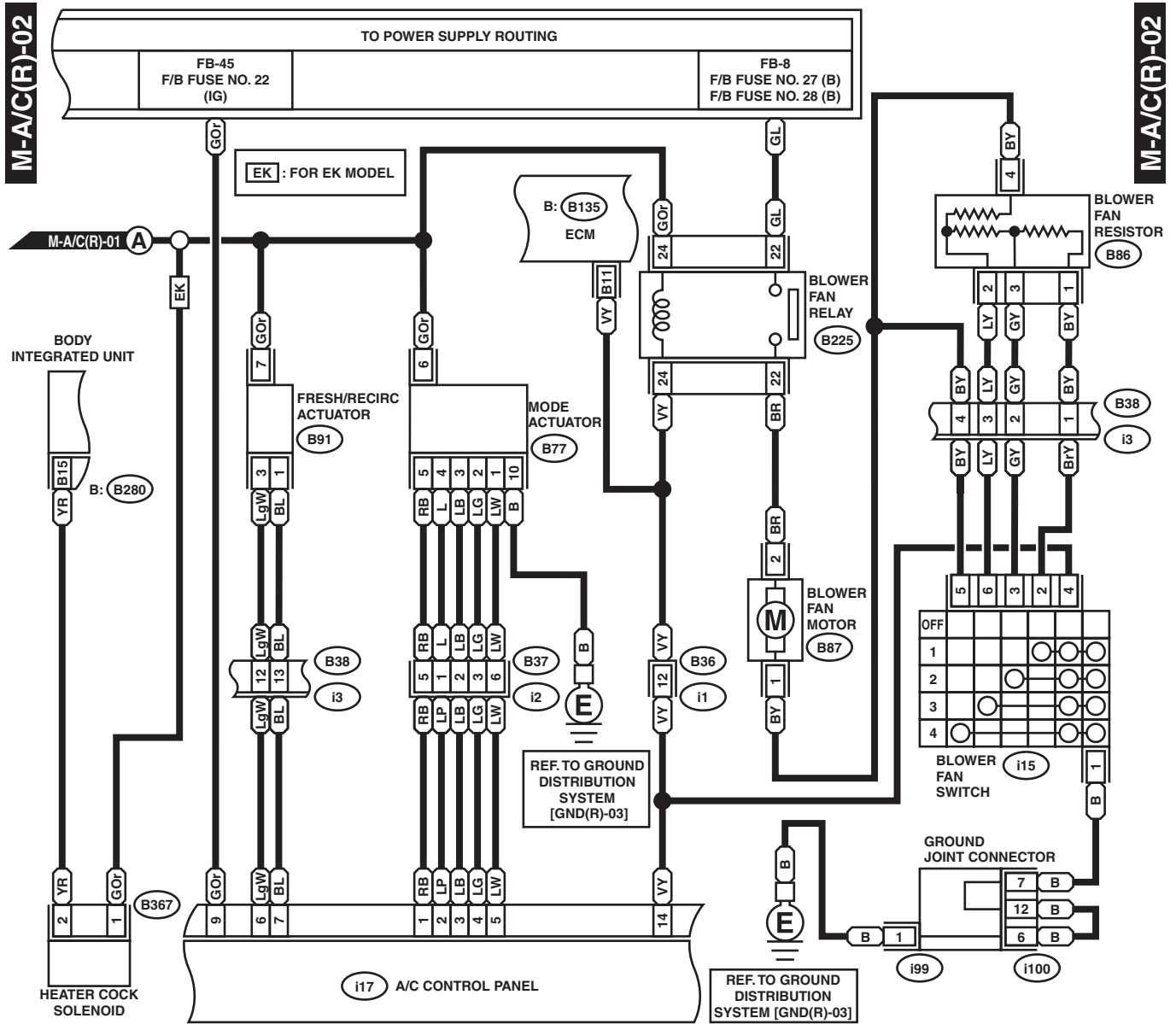
M-A/C(R)-01



WI-03941

Air Conditioning System

WIRING SYSTEM



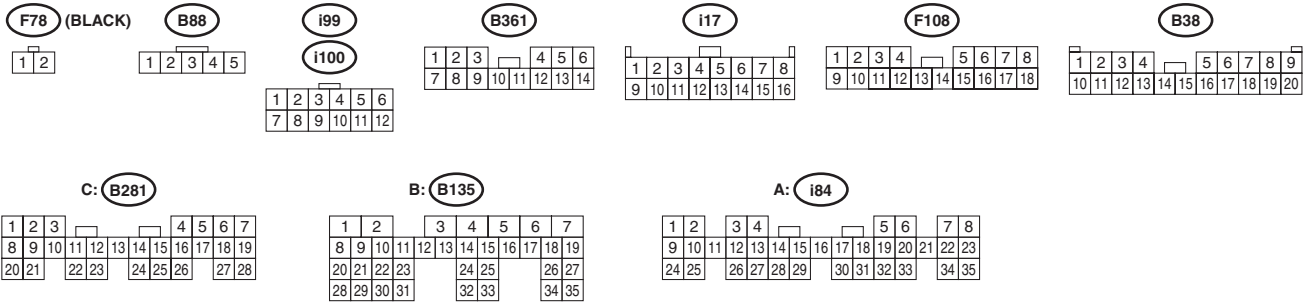
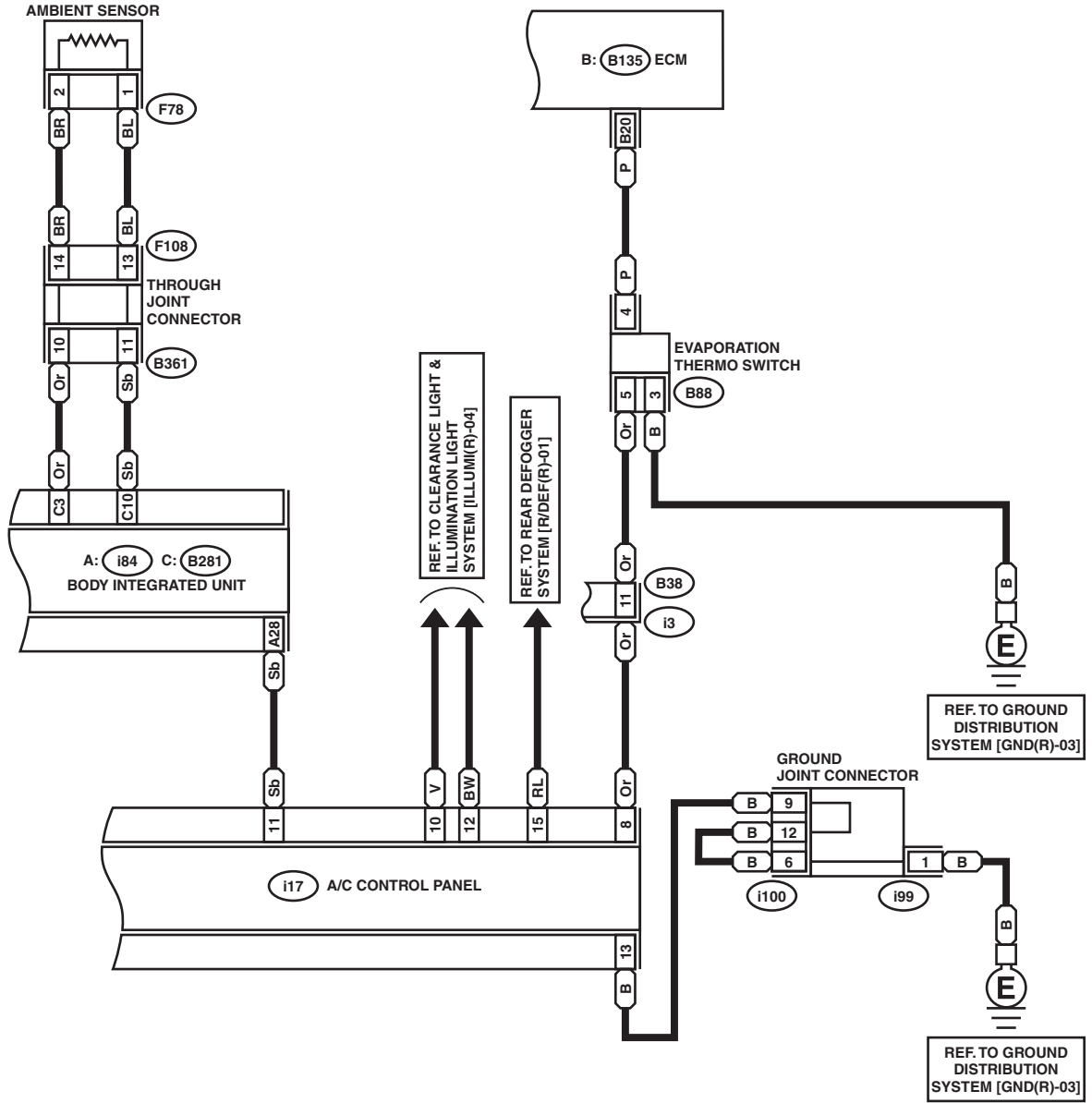
WI-03942

Air Conditioning System

WIRING SYSTEM

M-A/C(R)-03

M-A/C(R)-03

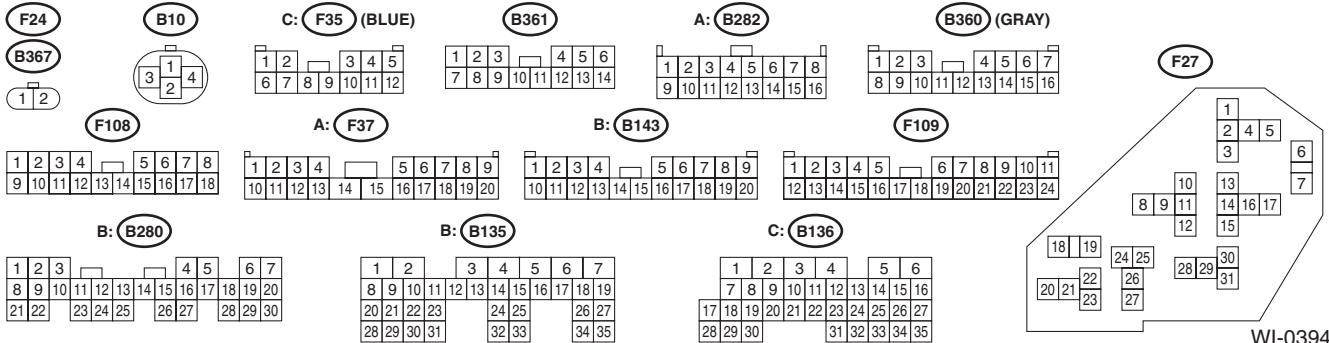
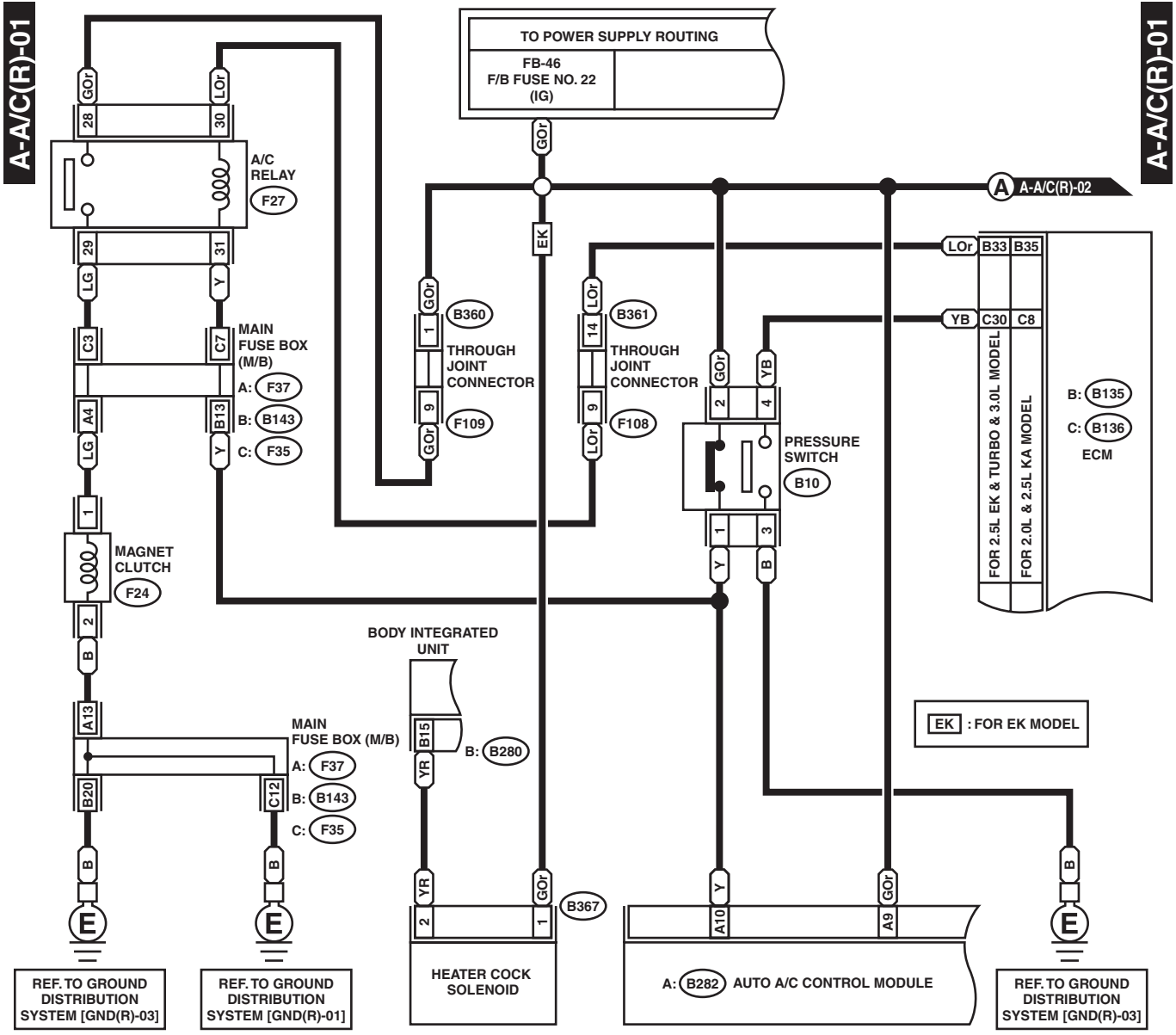


WI-03943

Air Conditioning System

WIRING SYSTEM

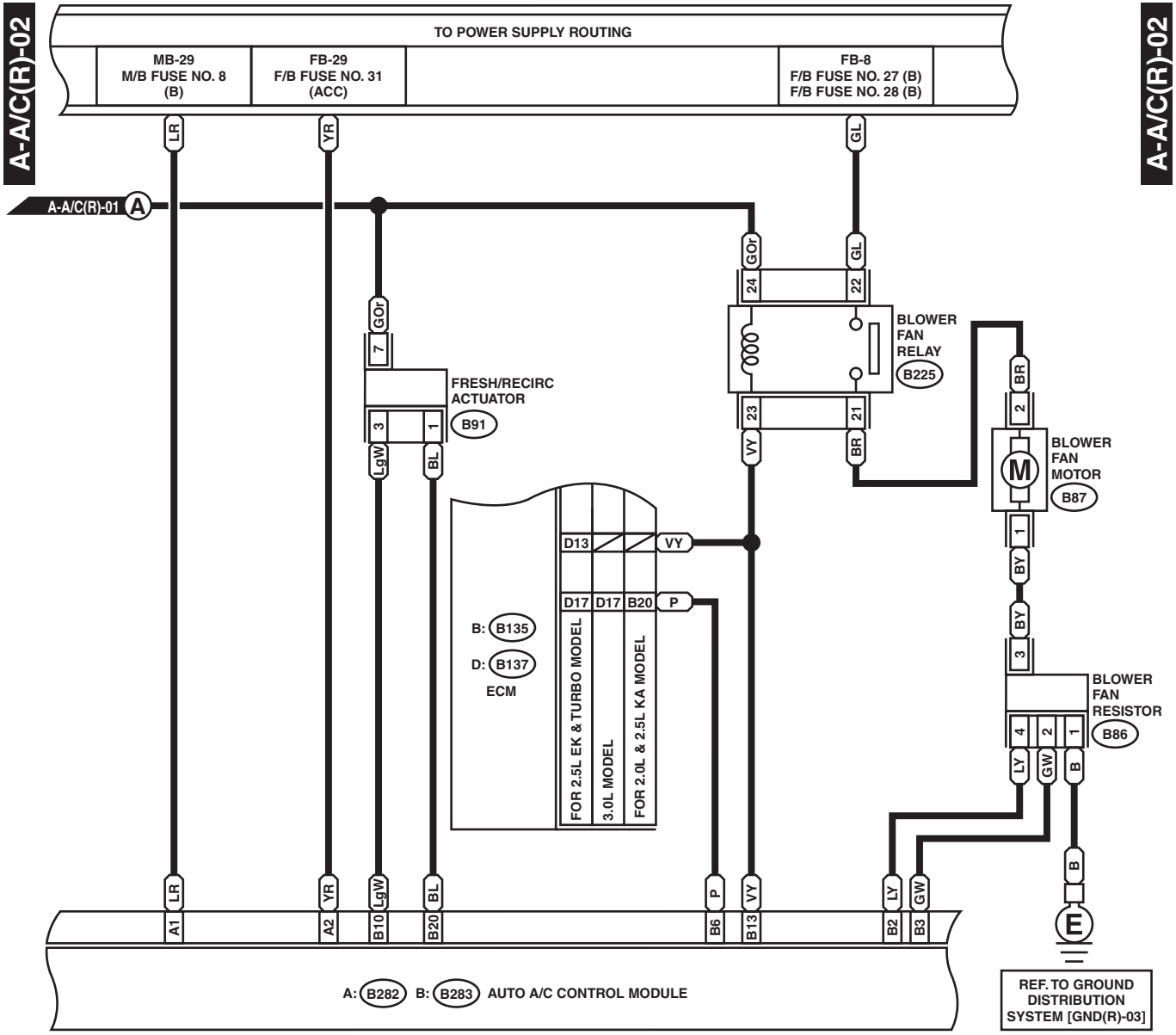
4. AUTO A/C RHD MODEL



WI-03944

Air Conditioning System

WIRING SYSTEM



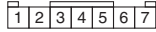
B87



B86



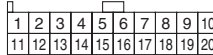
B91 (GREEN)



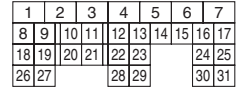
A: B282



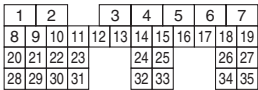
B: B283



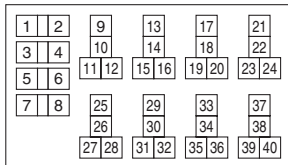
D: B137



B: B135



B225



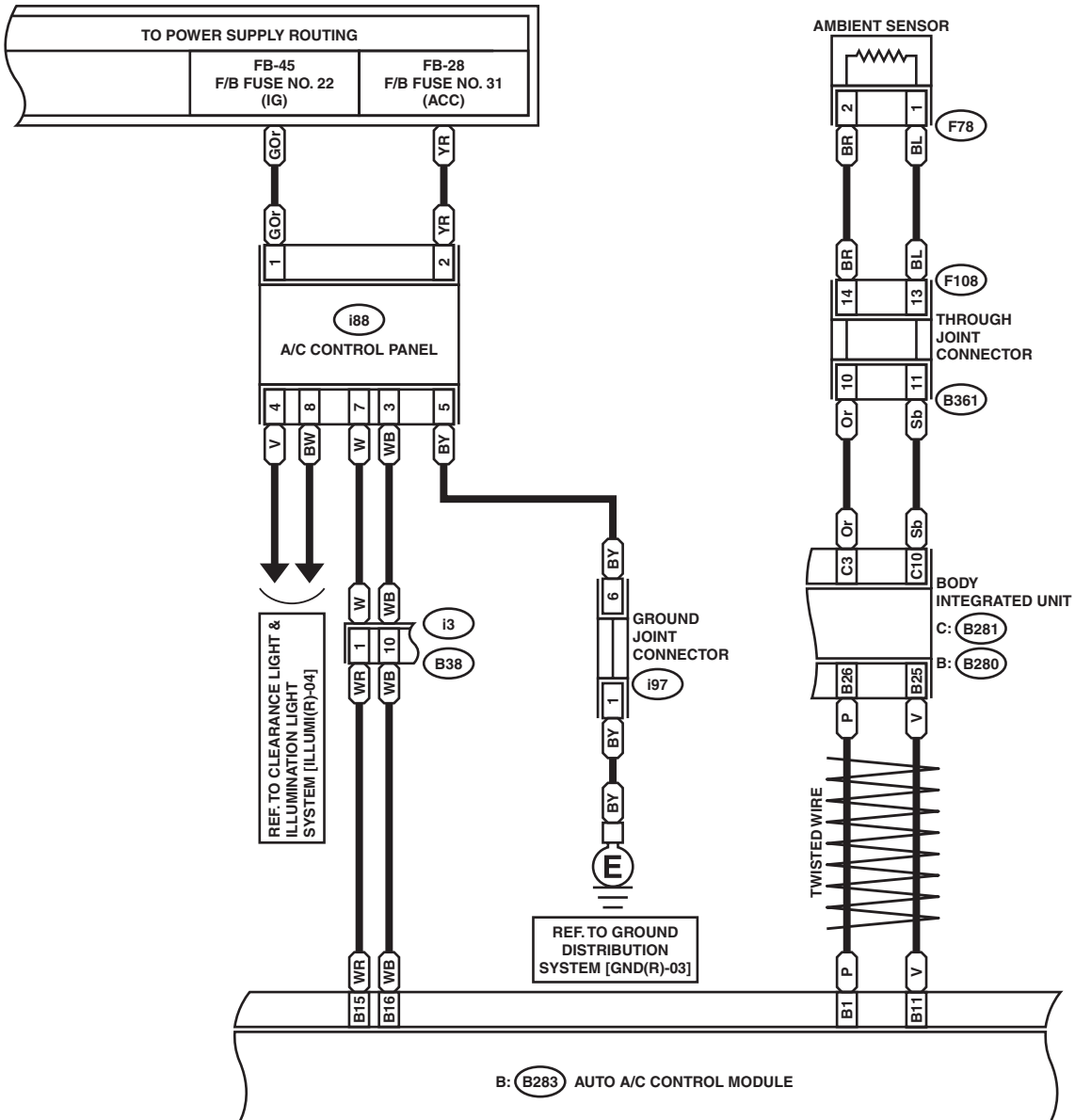
WI-03945

Air Conditioning System

WIRING SYSTEM

A-A/C(R)-03

A-A/C(R)-03



F78 (BLACK)

1	2
---	---

i88

1	2	3	4
5	6	7	8

i97

1	2	3	4	5	6
7	8	9	10	11	12

B361

1	2	3		4	5	6	
7	8	9	10	11	12	13	14

F108

1	2	3	4		5	6	7	8	
9	10	11	12	13	14	15	16	17	18

B38

1	2	3	4		5	6	7	8	9	
10	11	12	13	14	15	16	17	18	19	20

B: (B283)

1	2	3	4	5		6	7	8	9	10
11	12	13	14	15	16	17	18	19	20	

C: (B281)

1	2	3			4	5	6	7			
8	9	10	11	12	13	14	15	16	17	18	19
20	21	22	23	24	25	26	27	28			

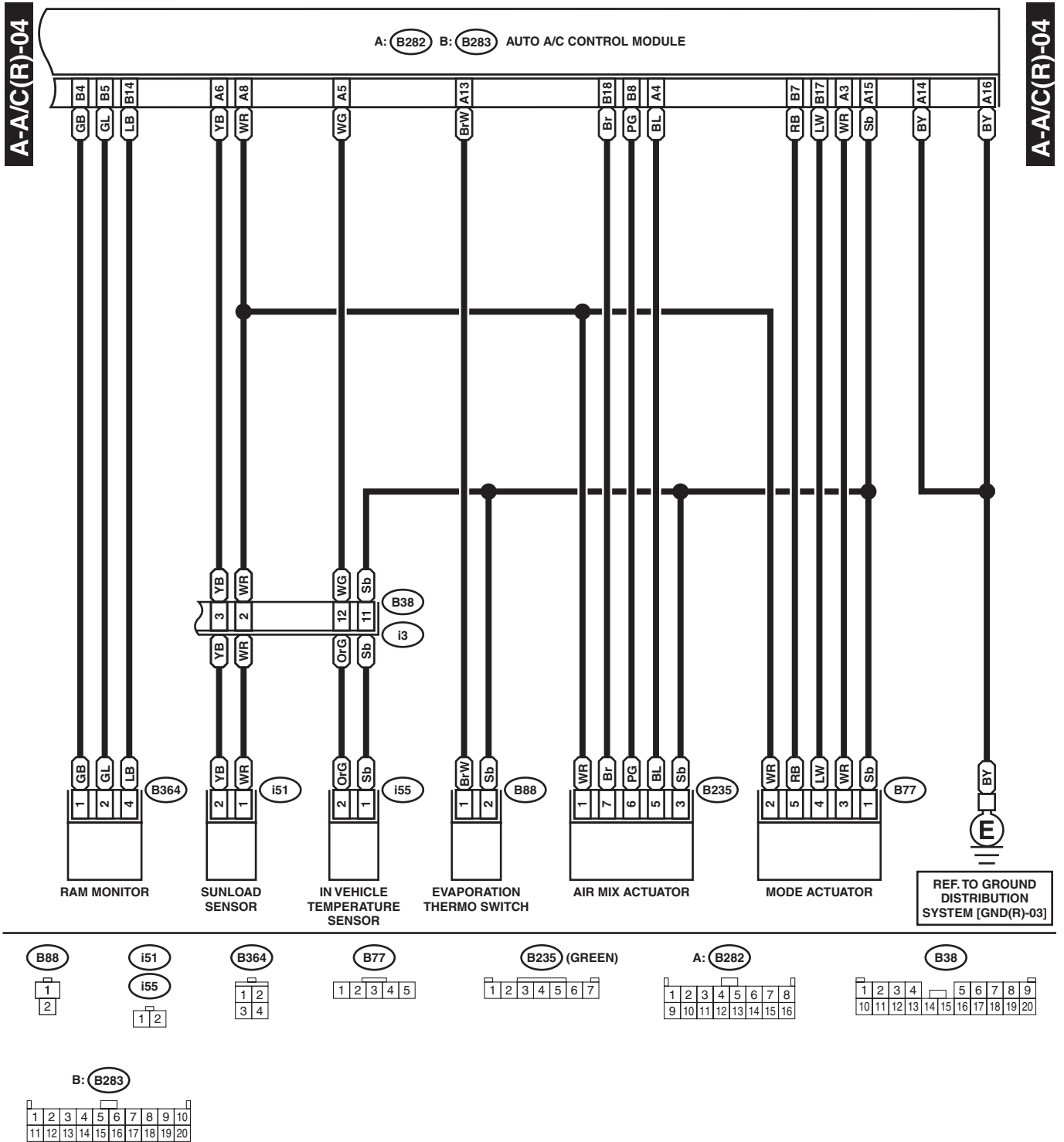
B: (B280)

1	2	3			4	5	6	7				
8	9	10	11	12	13	14	15	16	17	18	19	20
21	22	23	24	25	26	27	28	29	30			

WI-03946

Air Conditioning System

WIRING SYSTEM

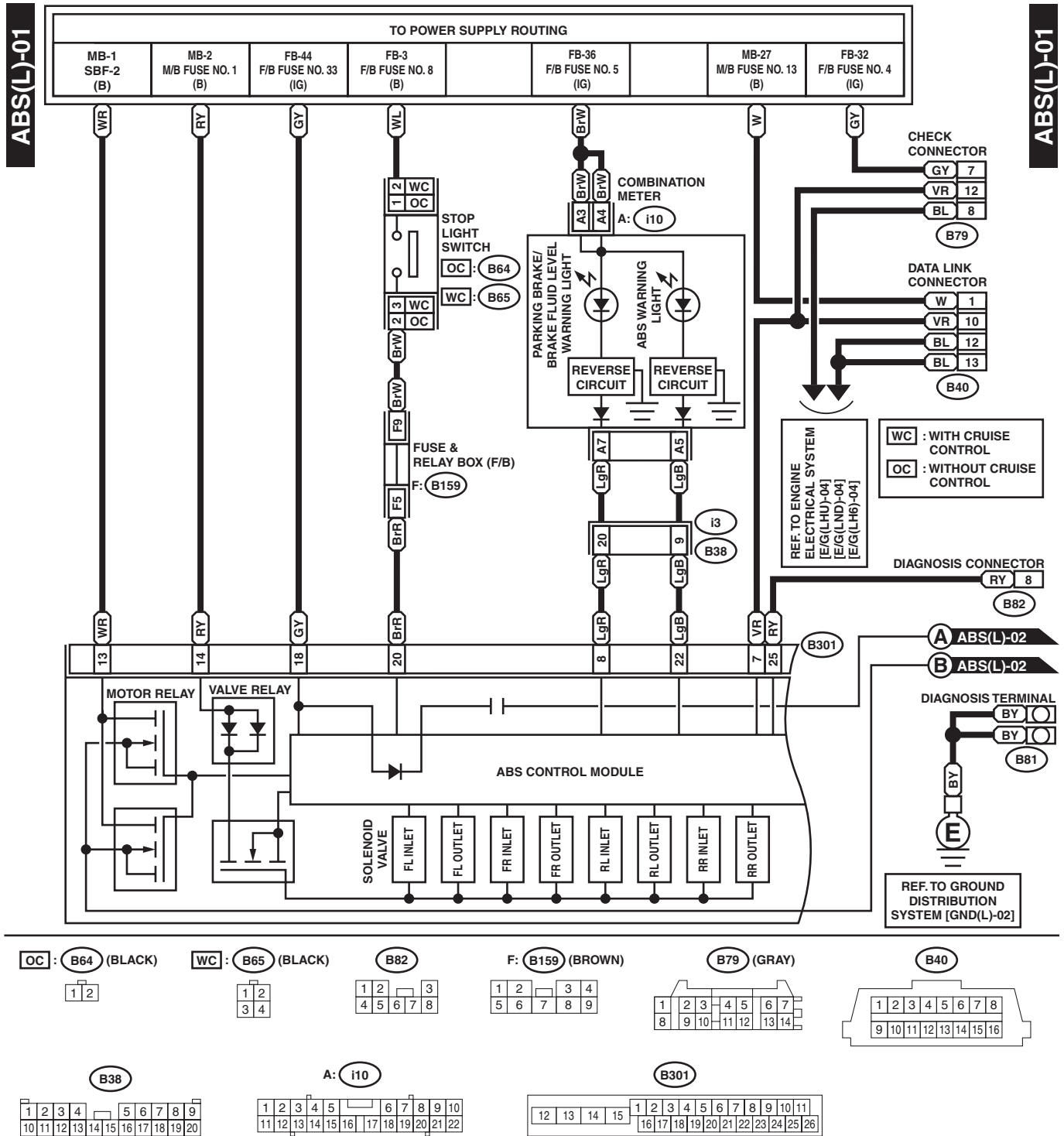


WI-03947

7. Anti-lock Brake System

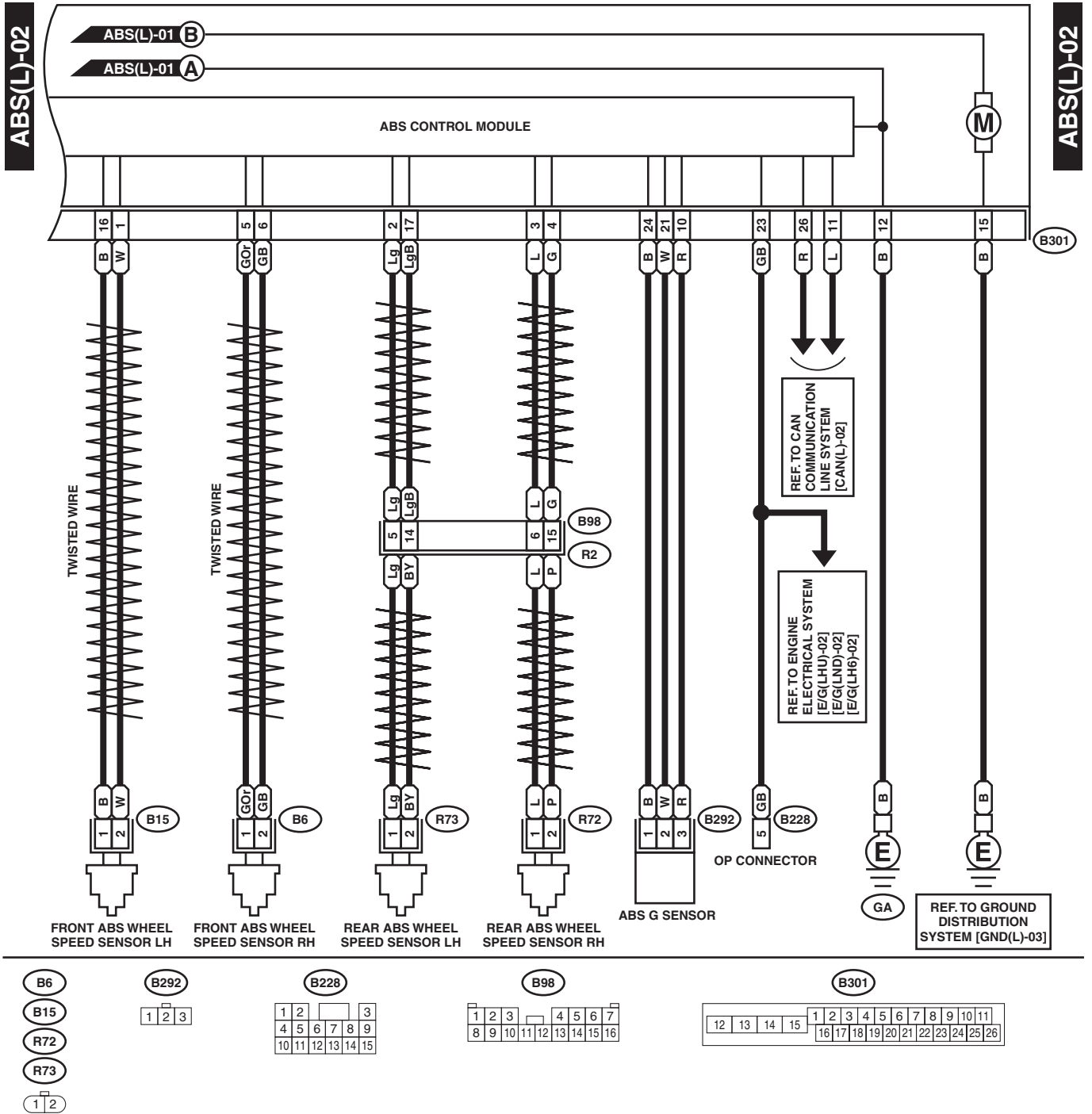
A: WIRING DIAGRAM

1. LHD MODEL



Anti-lock Brake System

WIRING SYSTEM

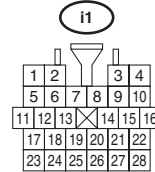
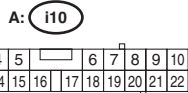
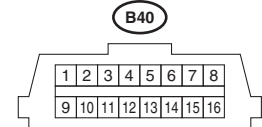
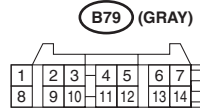
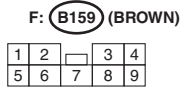
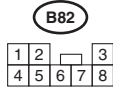
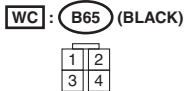
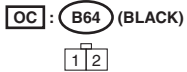
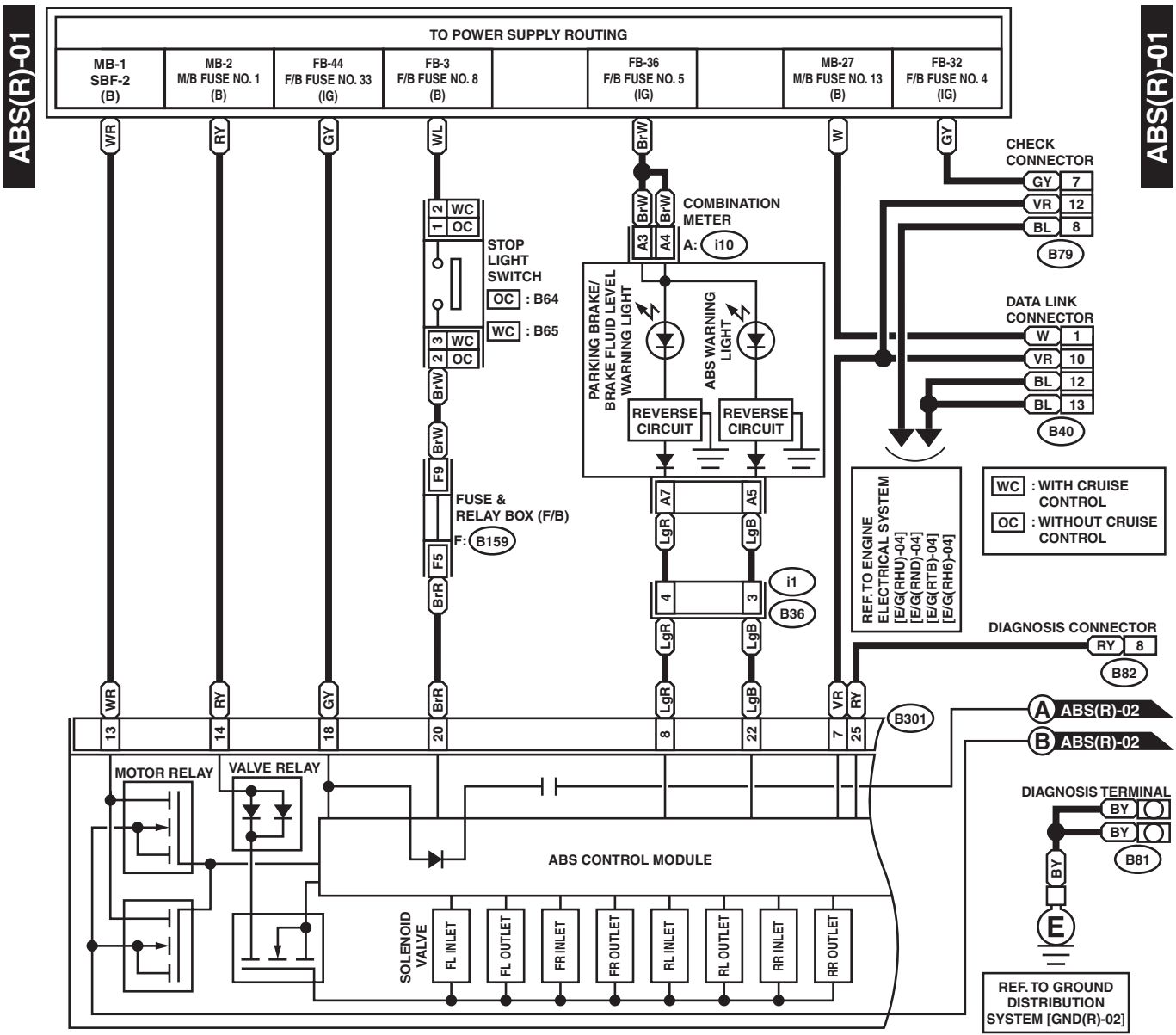


WI-03949

Anti-lock Brake System

WIRING SYSTEM

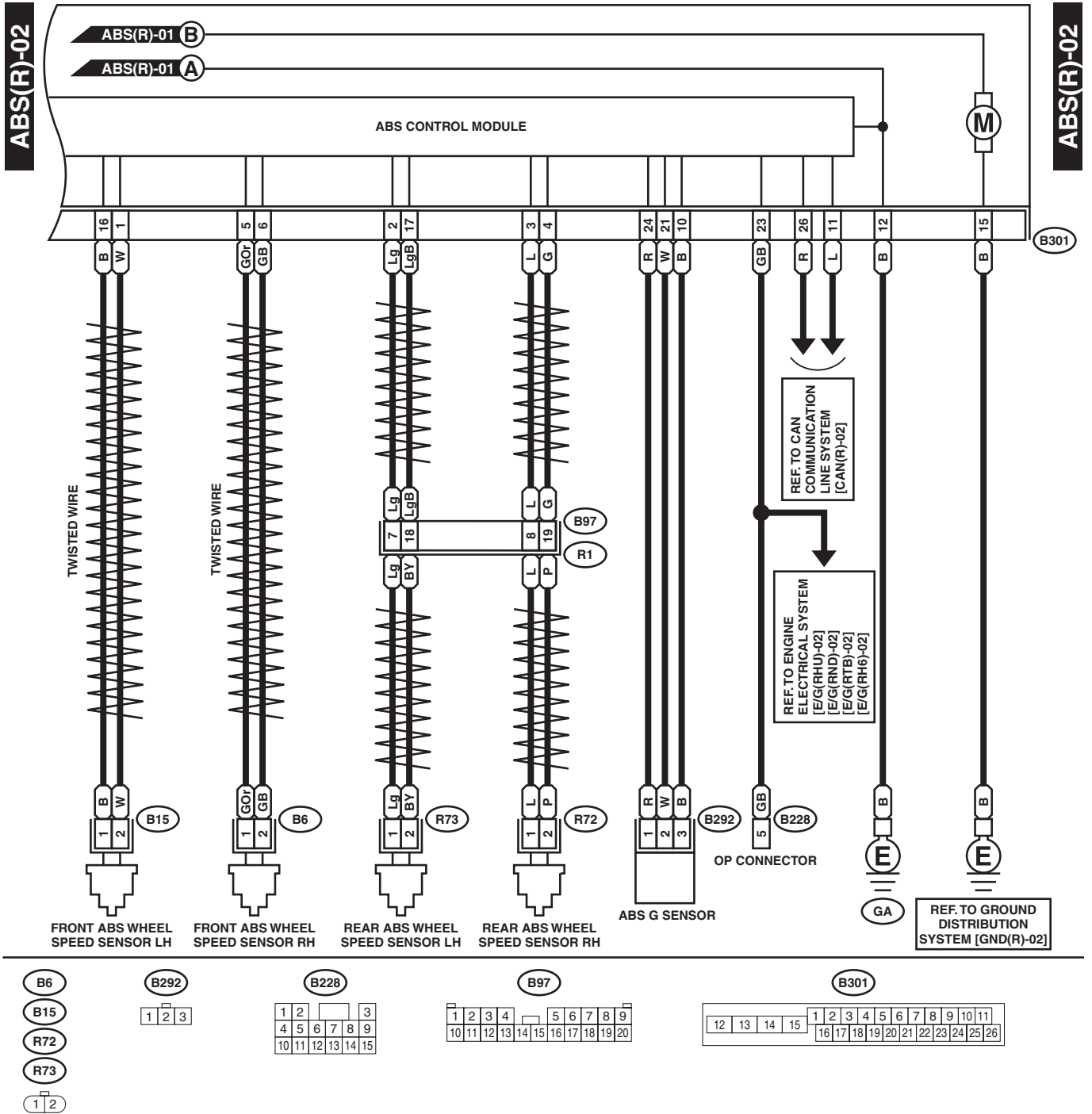
2. RHD MODEL



WI-03950

Anti-lock Brake System

WIRING SYSTEM



WI-03951

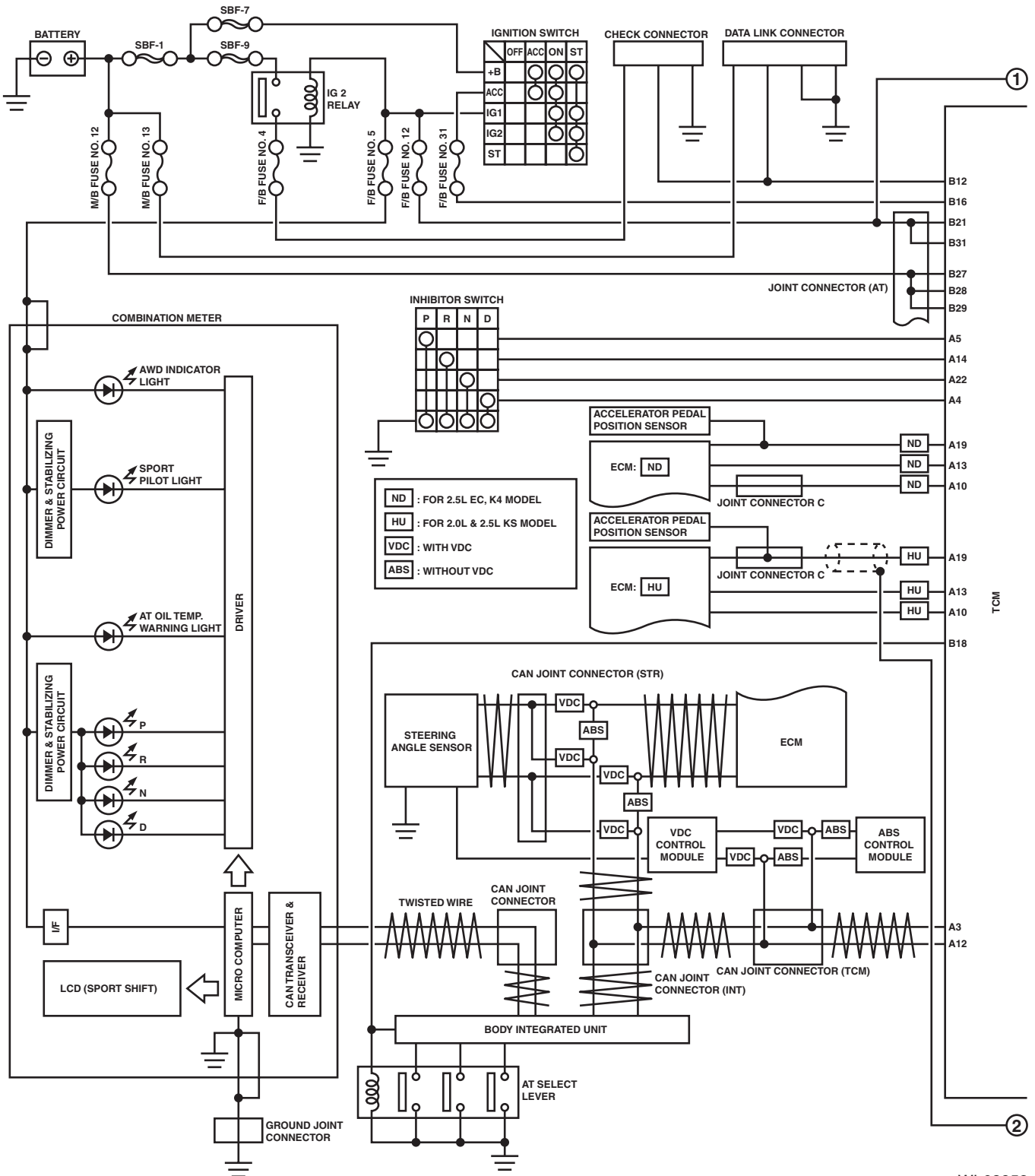
AT Control System

WIRING SYSTEM

8. AT Control System

A: WIRING DIAGRAM

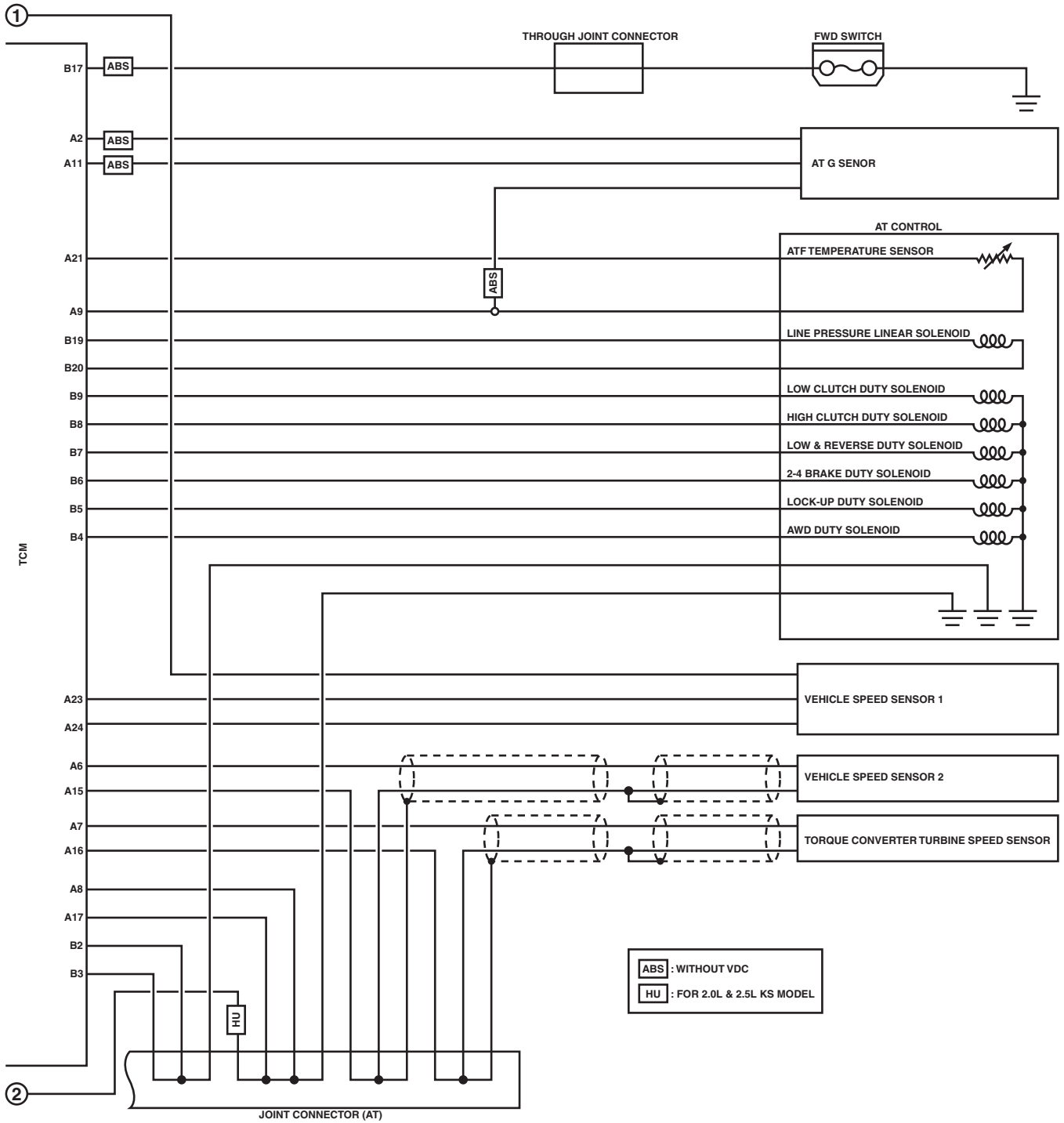
1. LHD 4AT MODEL



WI-03952

AT Control System

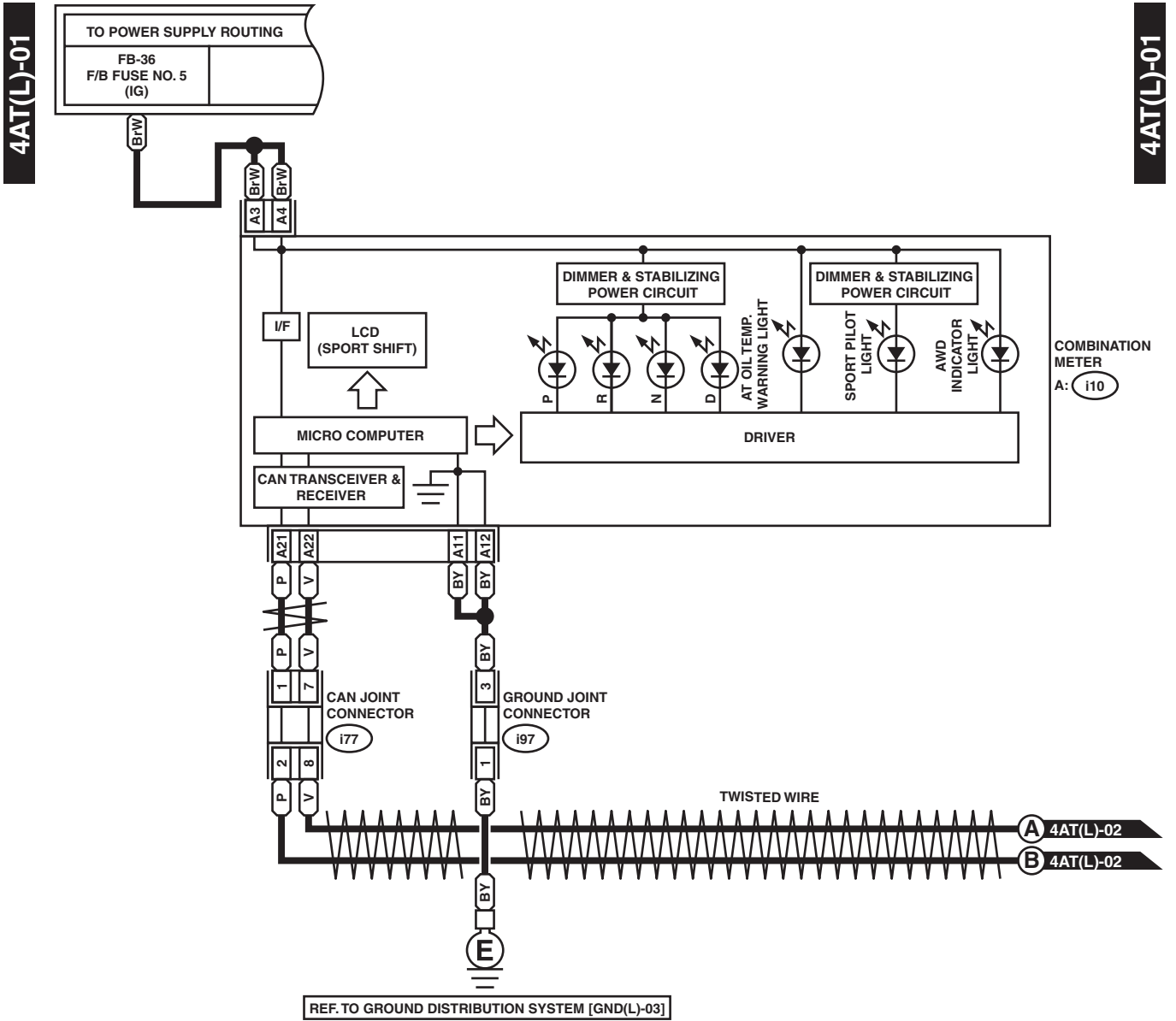
WIRING SYSTEM



WI-03953

AT Control System

WIRING SYSTEM



i77

1	2	3	4	5	6	7	8	9	10	11	12
---	---	---	---	---	---	---	---	---	----	----	----

i97

1	2	3	4	5	6
7	8	9	10	11	12

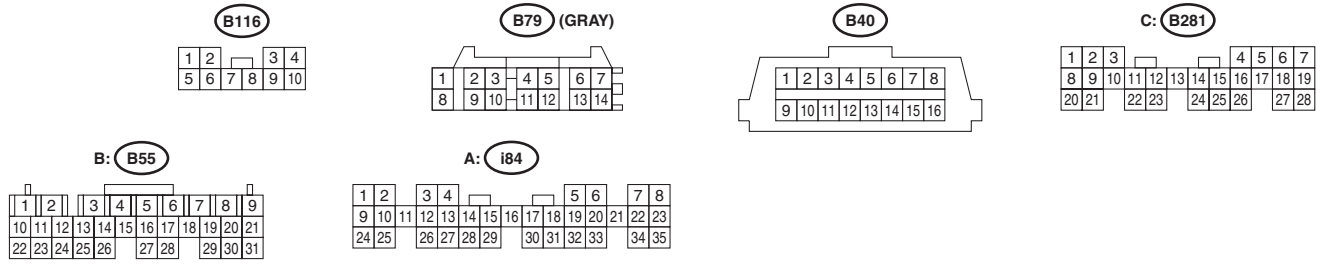
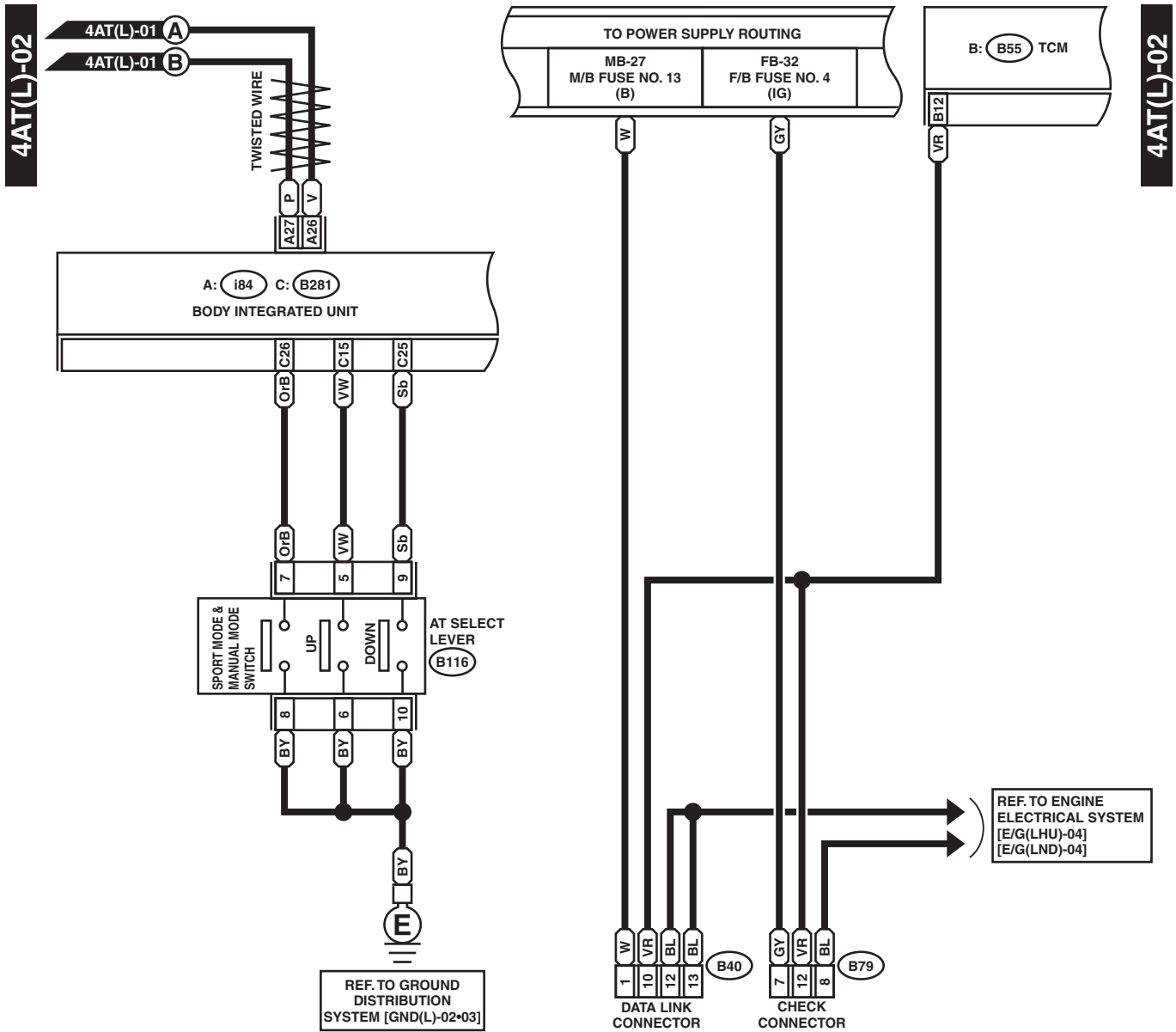
A: i10

1	2	3	4	5	6	7	8	9	10		
11	12	13	14	15	16	17	18	19	20	21	22

WI-03954

AT Control System

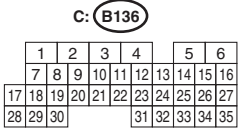
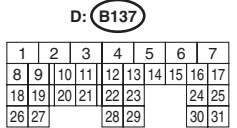
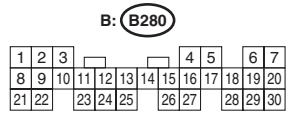
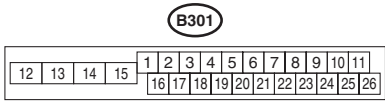
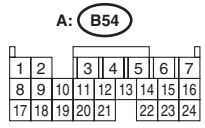
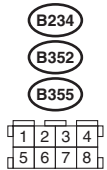
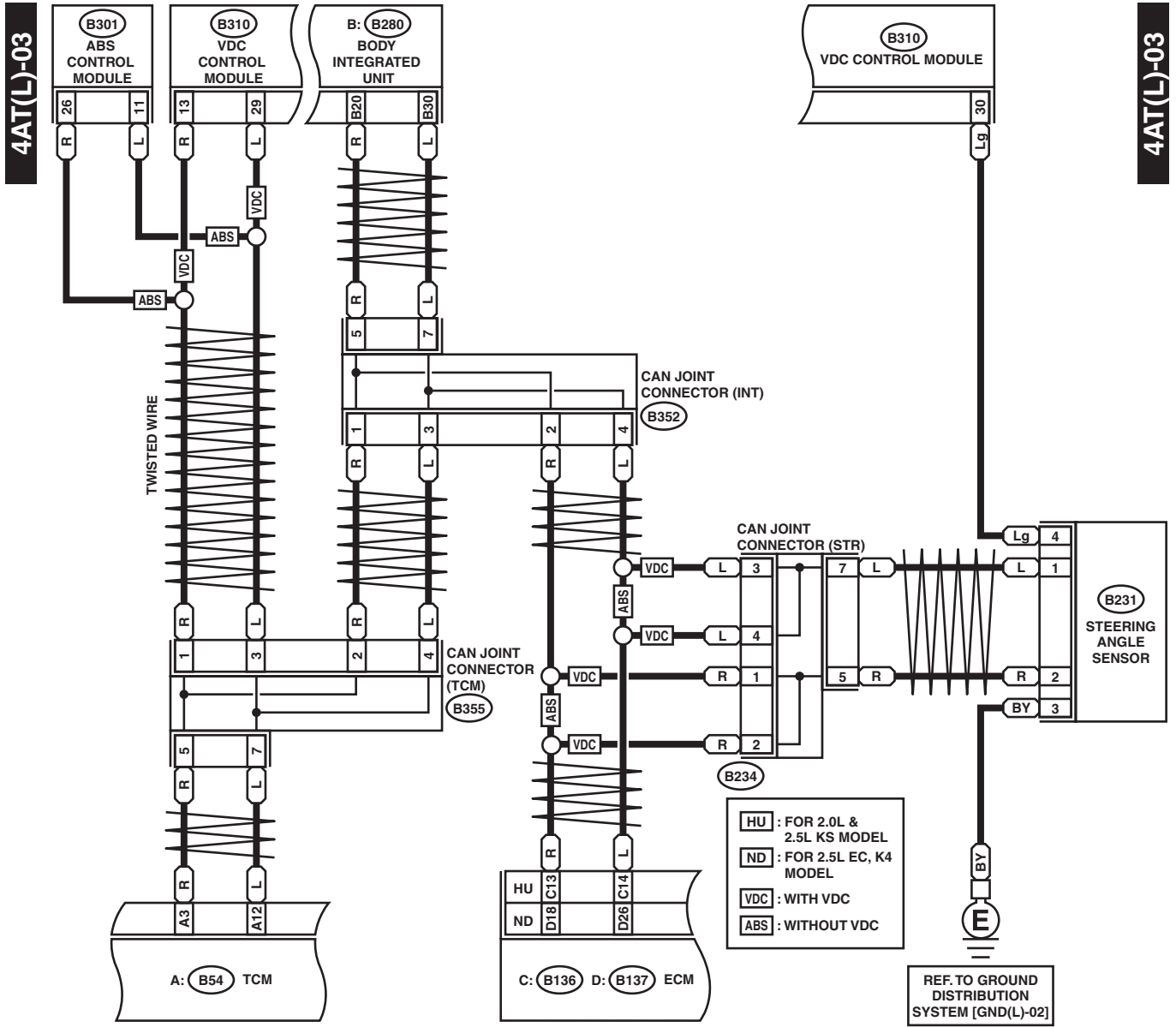
WIRING SYSTEM



WI-03955

AT Control System

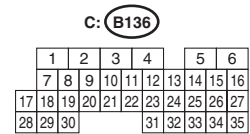
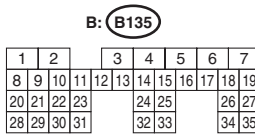
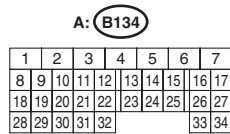
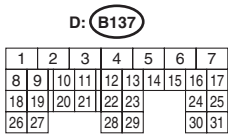
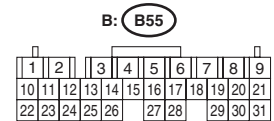
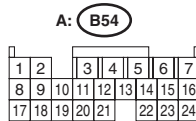
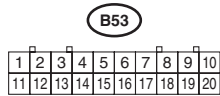
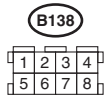
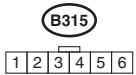
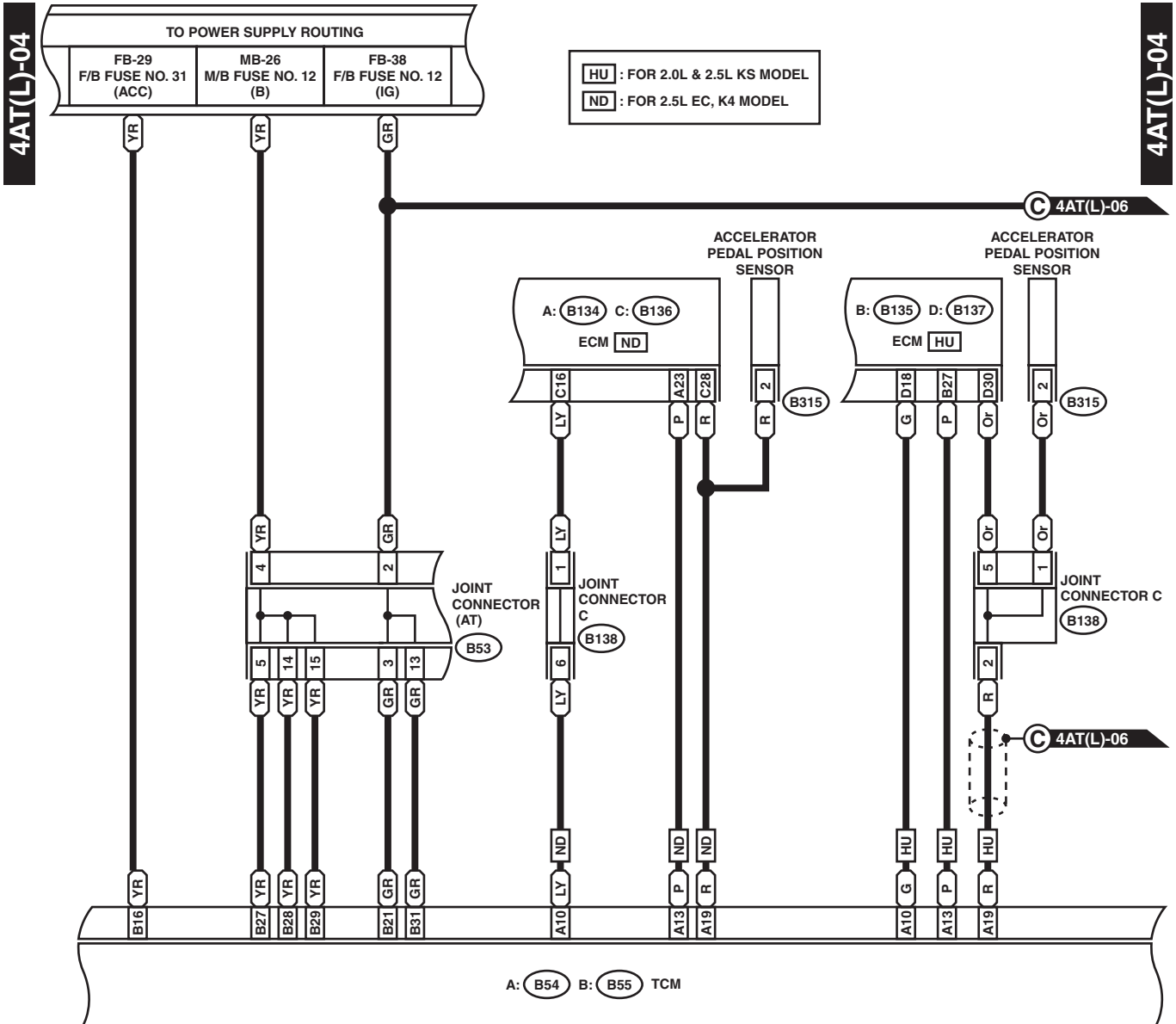
WIRING SYSTEM



WI-03956

AT Control System

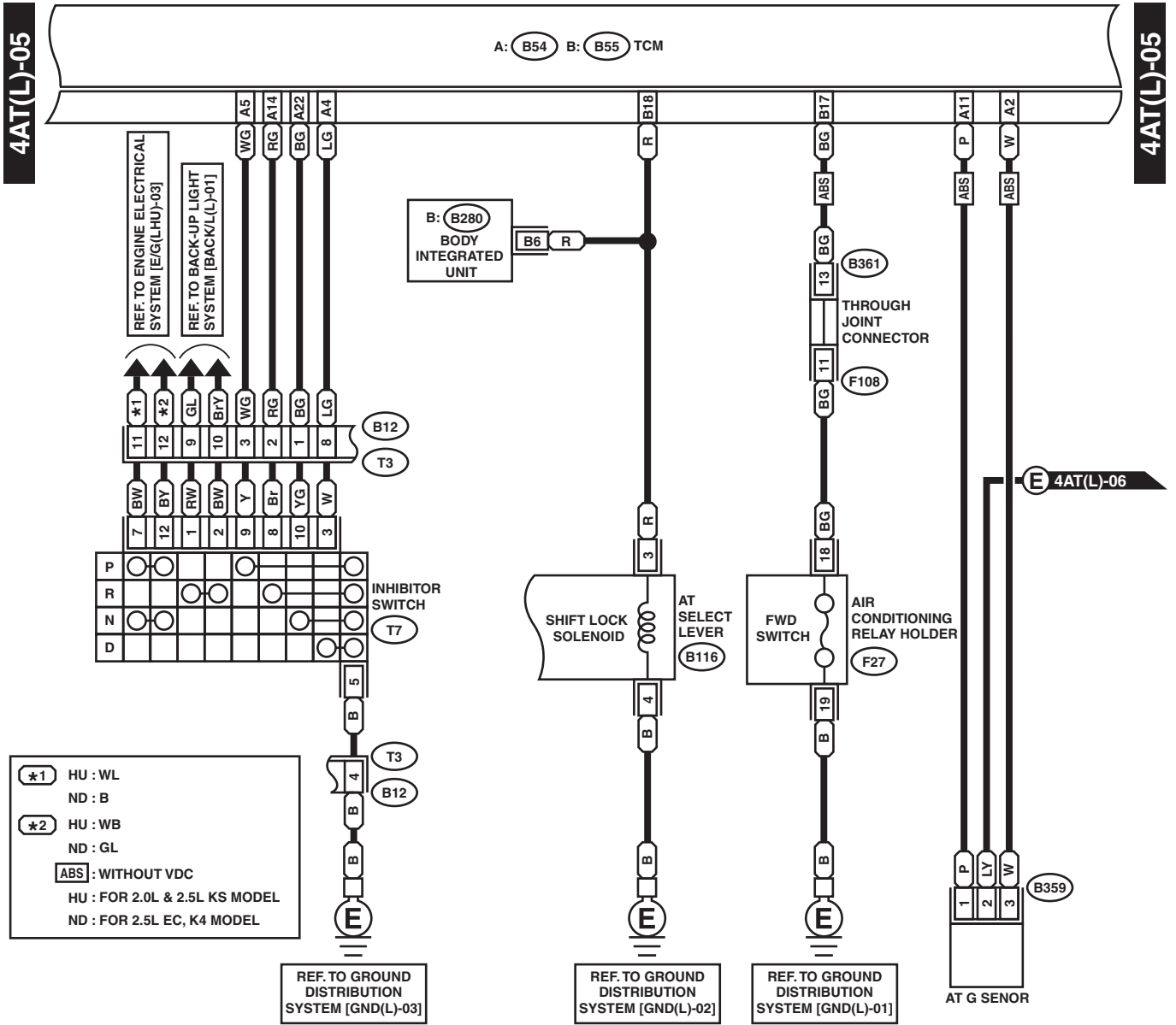
WIRING SYSTEM



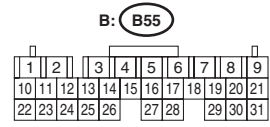
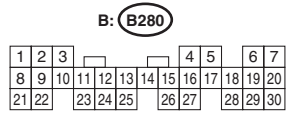
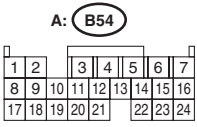
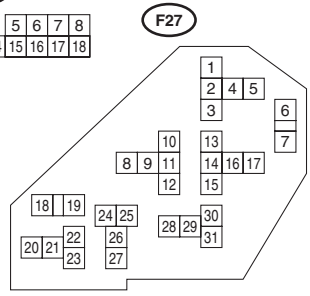
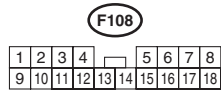
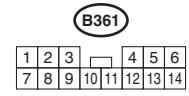
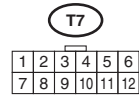
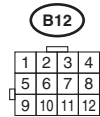
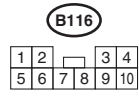
WI-03957

AT Control System

WIRING SYSTEM



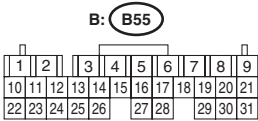
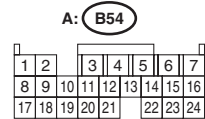
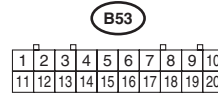
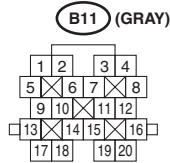
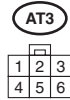
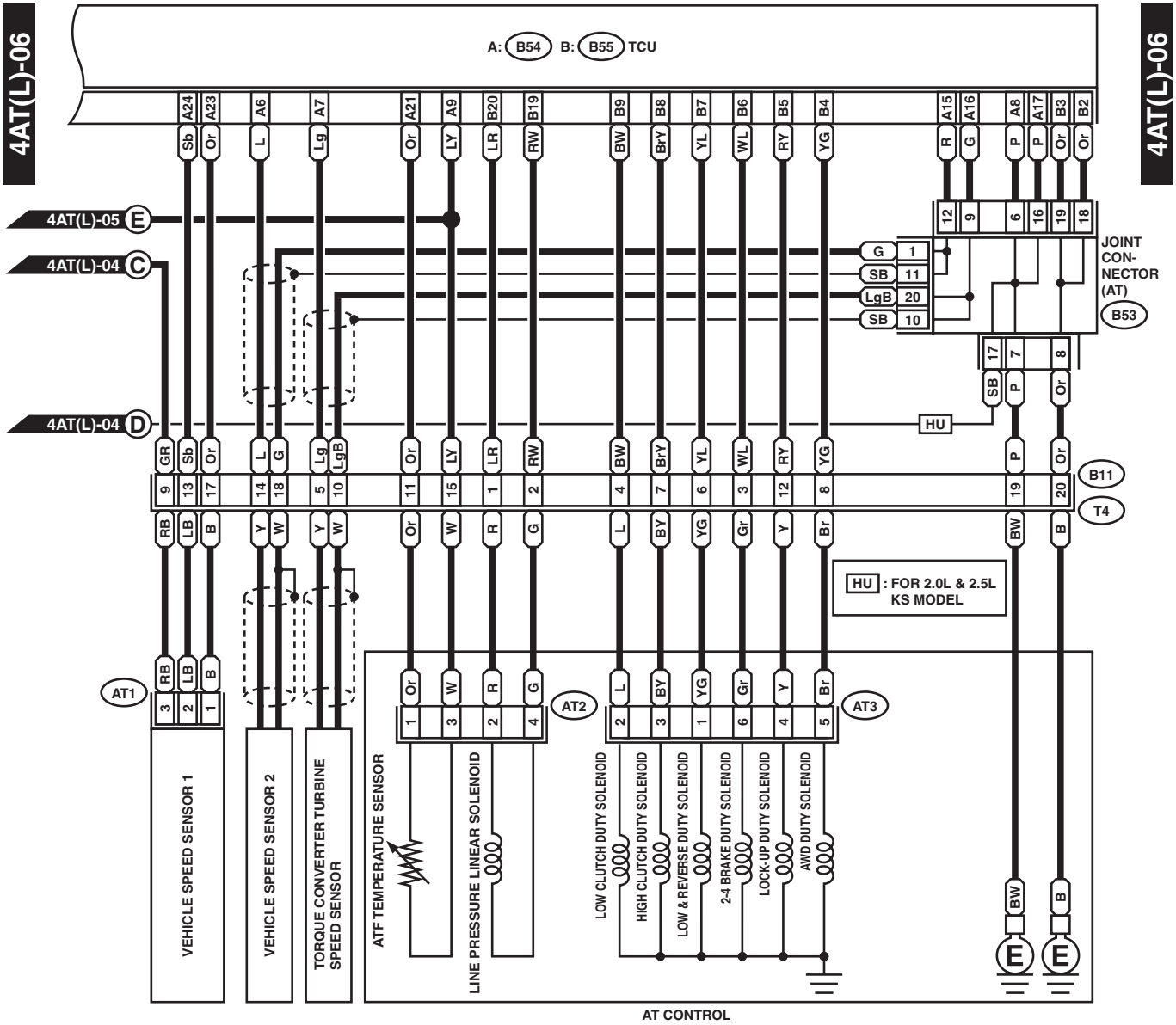
- *1 HU : WL
ND : B
- *2 HU : WB
ND : GL
- ABS : WITHOUT VDC
- HU : FOR 2.0L & 2.5L KS MODEL
- ND : FOR 2.5L EC, K4 MODEL



WI-03958

AT Control System

WIRING SYSTEM

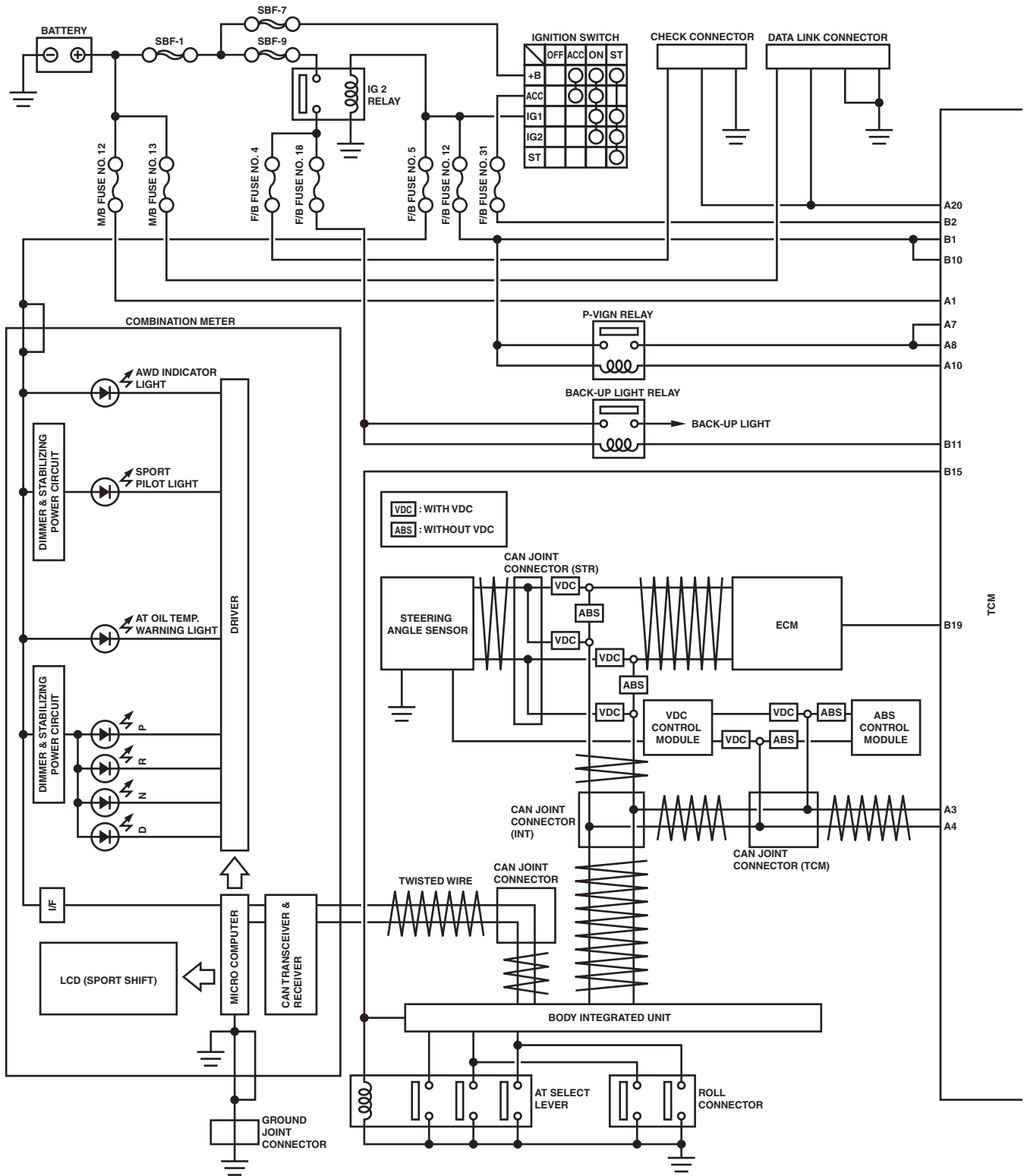


WI-03959

AT Control System

WIRING SYSTEM

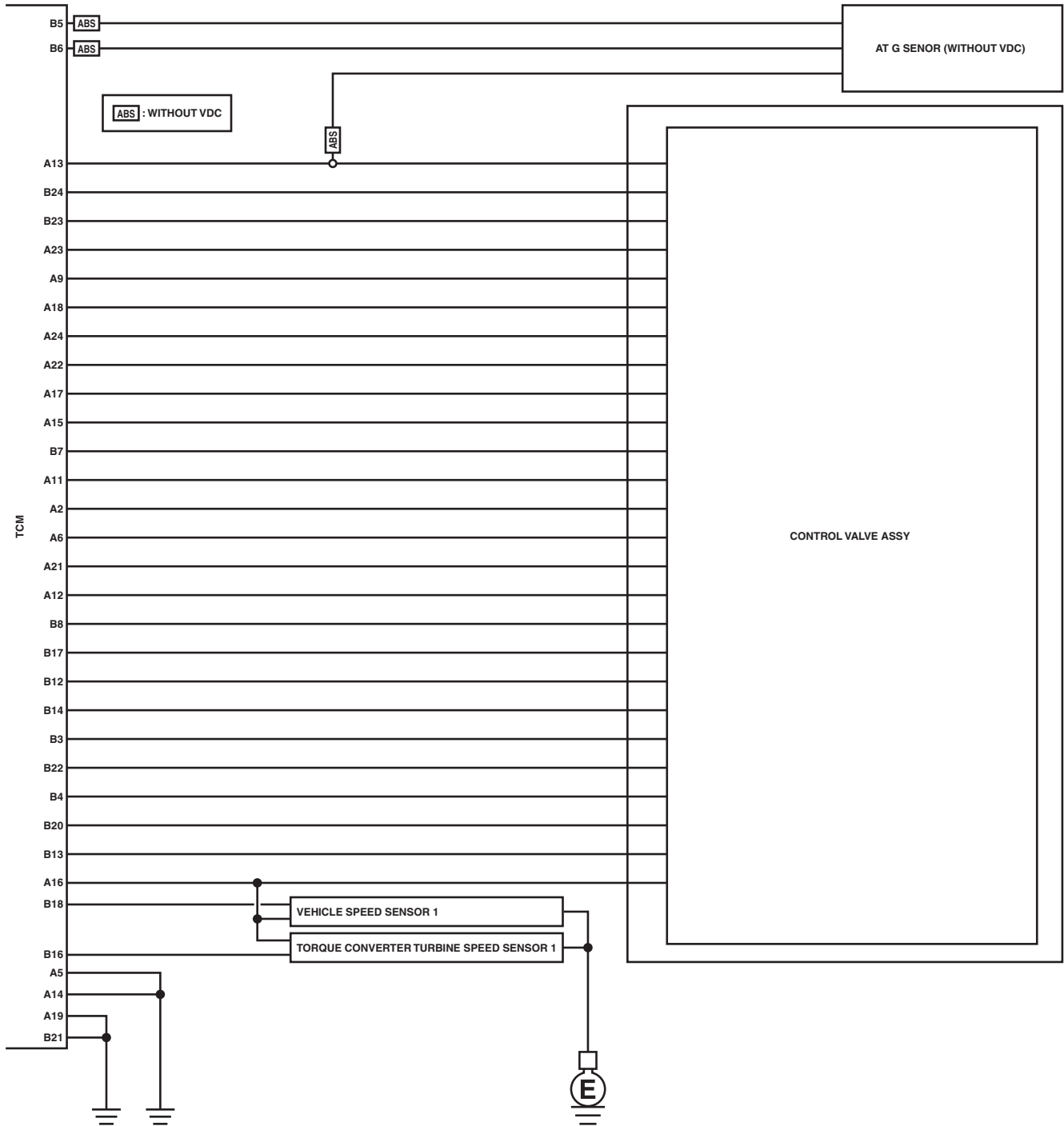
2. LHD 5AT MODEL



WI-03960

AT Control System

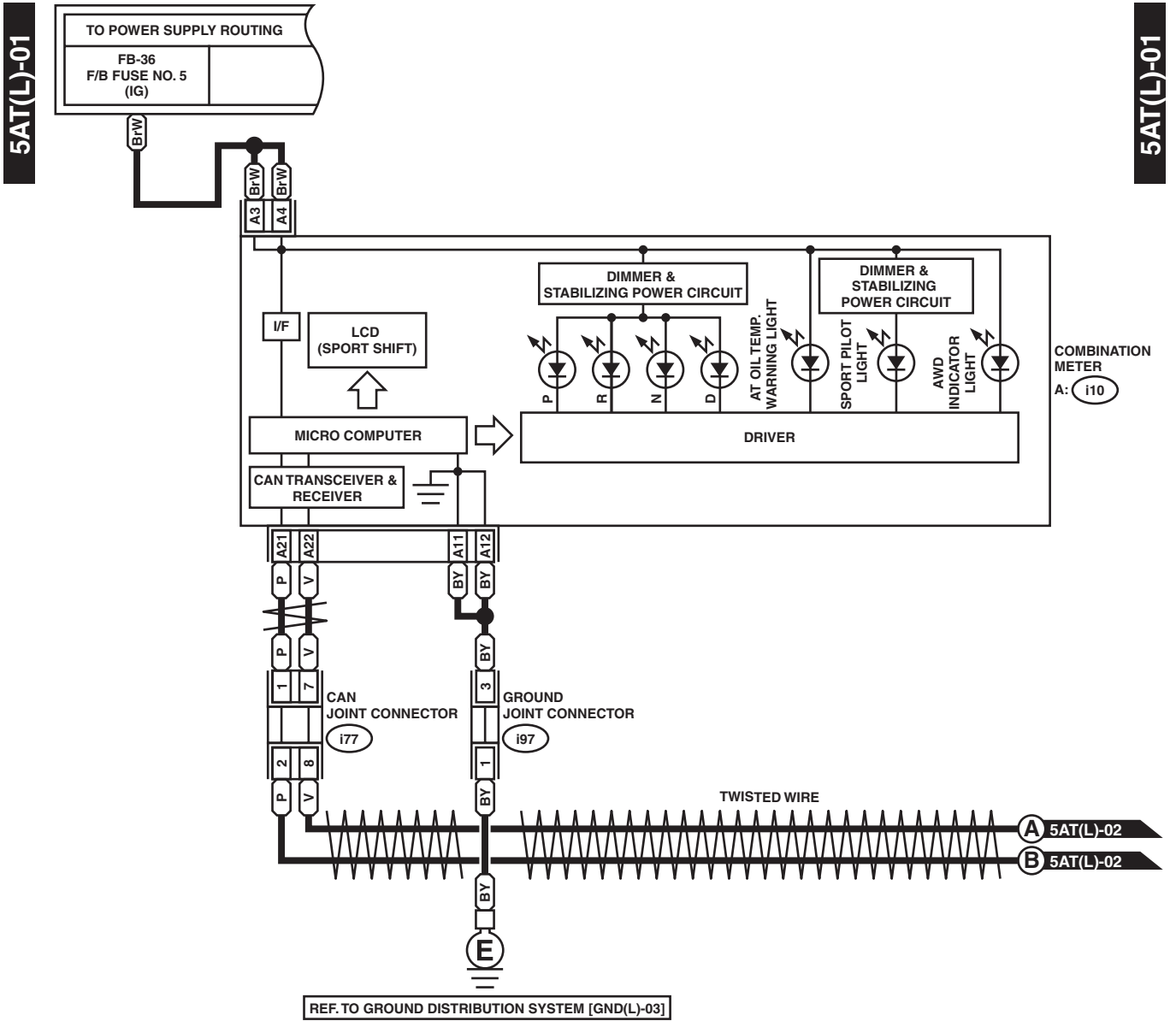
WIRING SYSTEM



WI-03961

AT Control System

WIRING SYSTEM



i77

1	2	3	4	5	6	7	8	9	10	11	12
---	---	---	---	---	---	---	---	---	----	----	----

i97

1	2	3	4	5	6
7	8	9	10	11	12

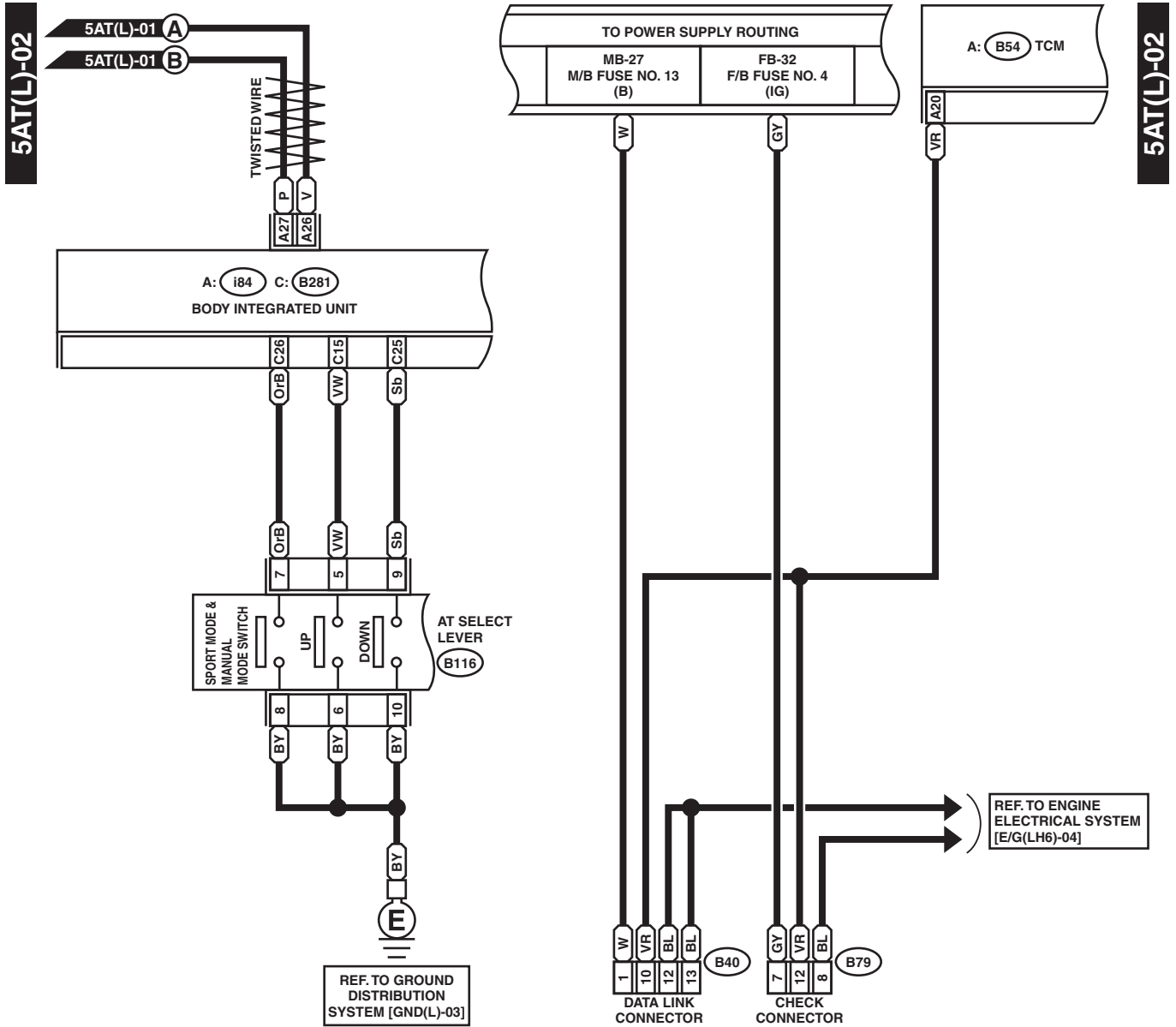
A: i10

1	2	3	4	5	6	7	8	9	10		
11	12	13	14	15	16	17	18	19	20	21	22

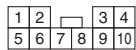
WI-03962

AT Control System

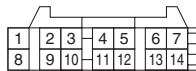
WIRING SYSTEM



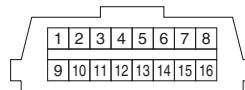
(B116)



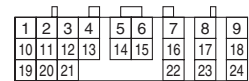
(B79) (GRAY)



(B40)



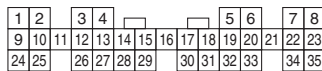
A: B54



C: B281



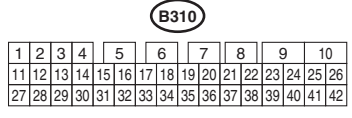
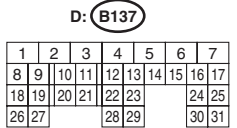
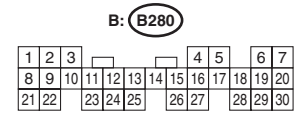
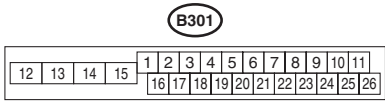
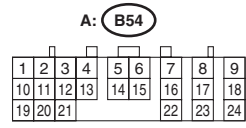
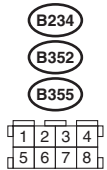
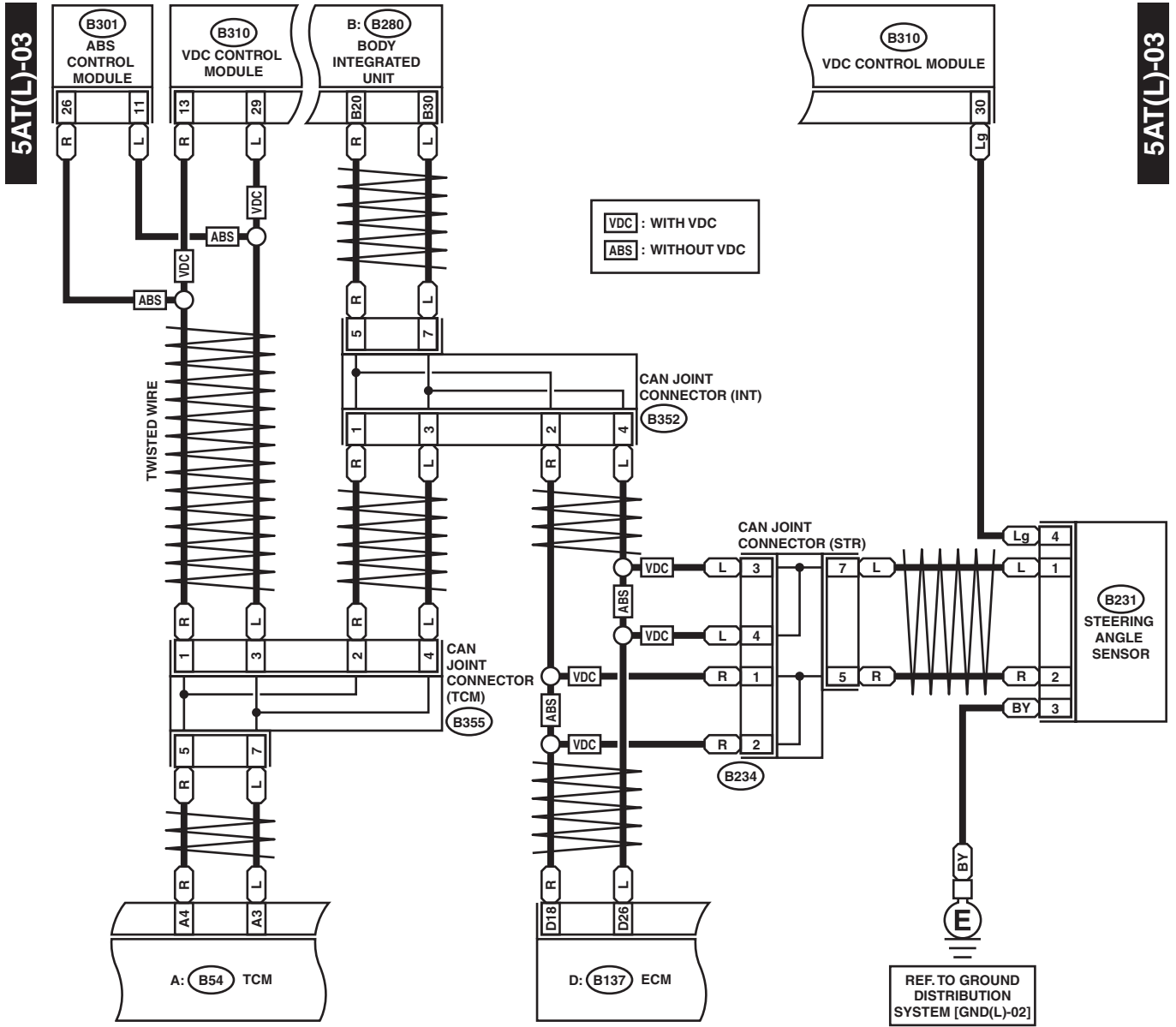
A: i84



WI-03963

AT Control System

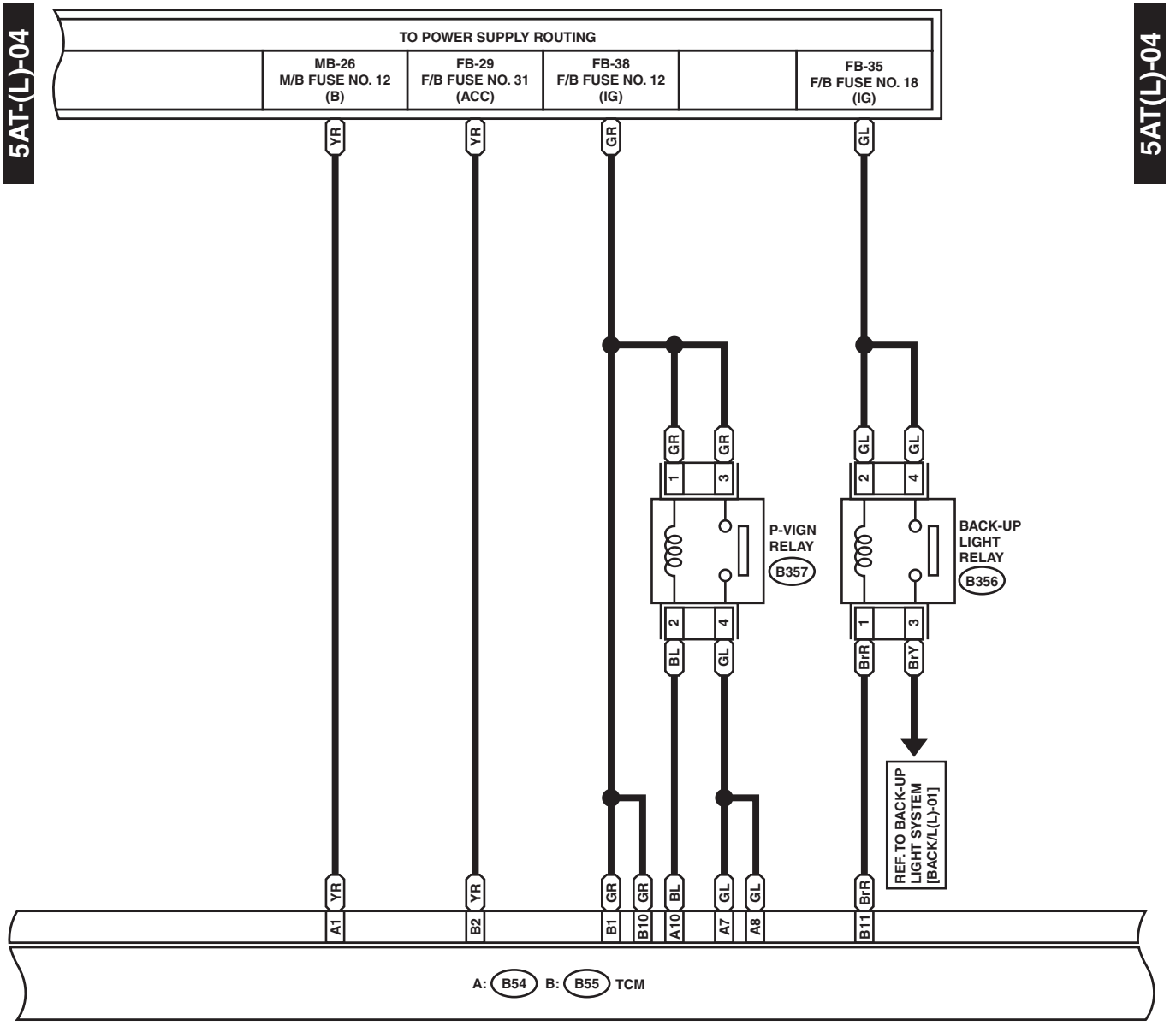
WIRING SYSTEM



WI-03964

AT Control System

WIRING SYSTEM

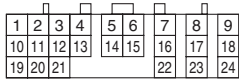


B356

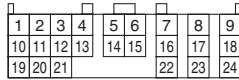
B357



A: B54



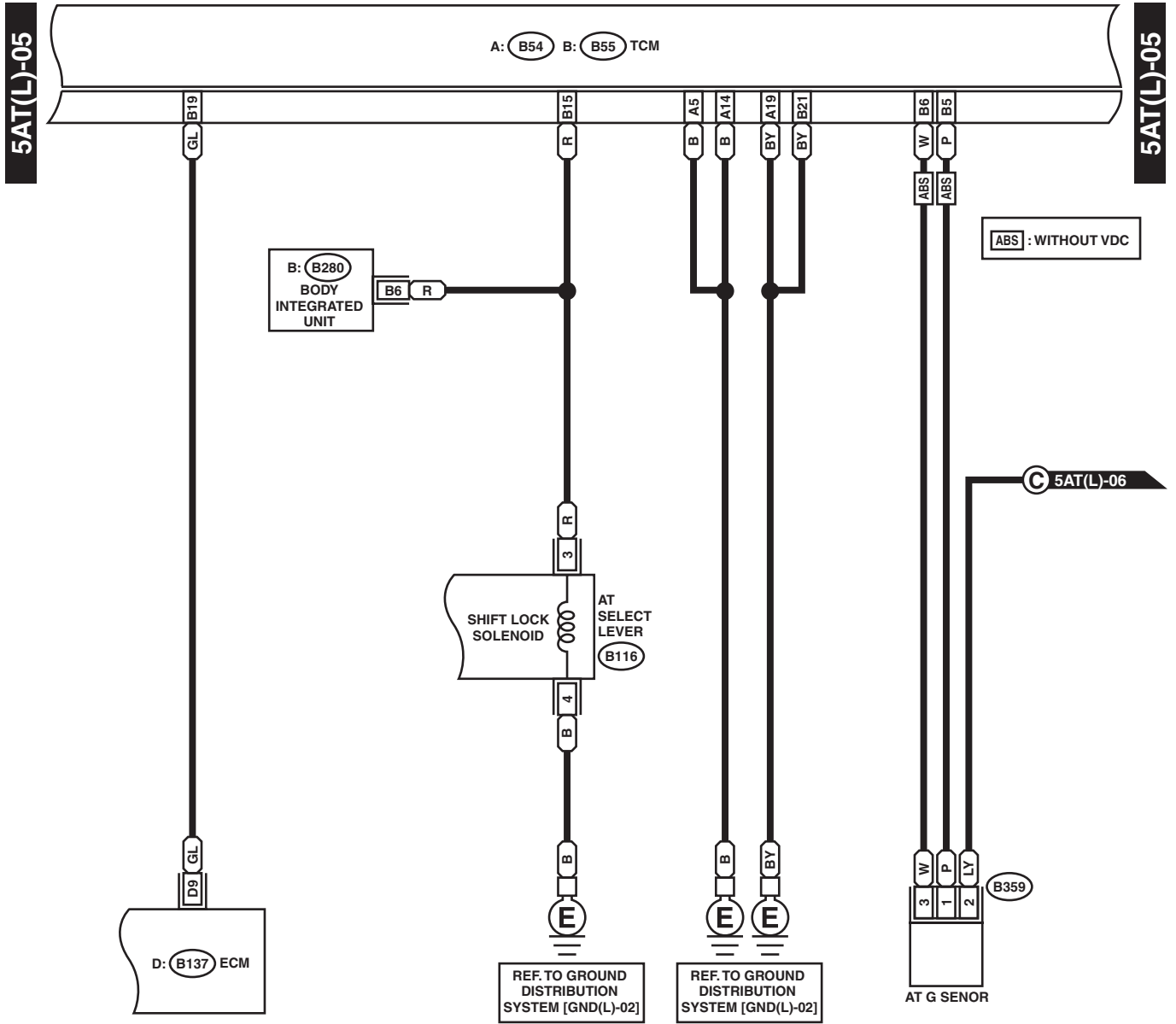
B: B55 (GRAY)



WI-03965

AT Control System

WIRING SYSTEM



B359

1	2	3
---	---	---

B116

1	2	3	4
5	6	7	8
9	10		

A: B54

1	2	3	4	5	6	7	8	9
10	11	12	13	14	15	16	17	18
19	20	21				22	23	24

B: B55 (GRAY)

1	2	3	4	5	6	7	8	9
10	11	12	13	14	15	16	17	18
19	20	21				22	23	24

B: B280

1	2	3			4	5	6	7
8	9	10	11	12	13	14	15	16
17	18	19	20	21	22	23	24	25
26	27	28	29	30	31			

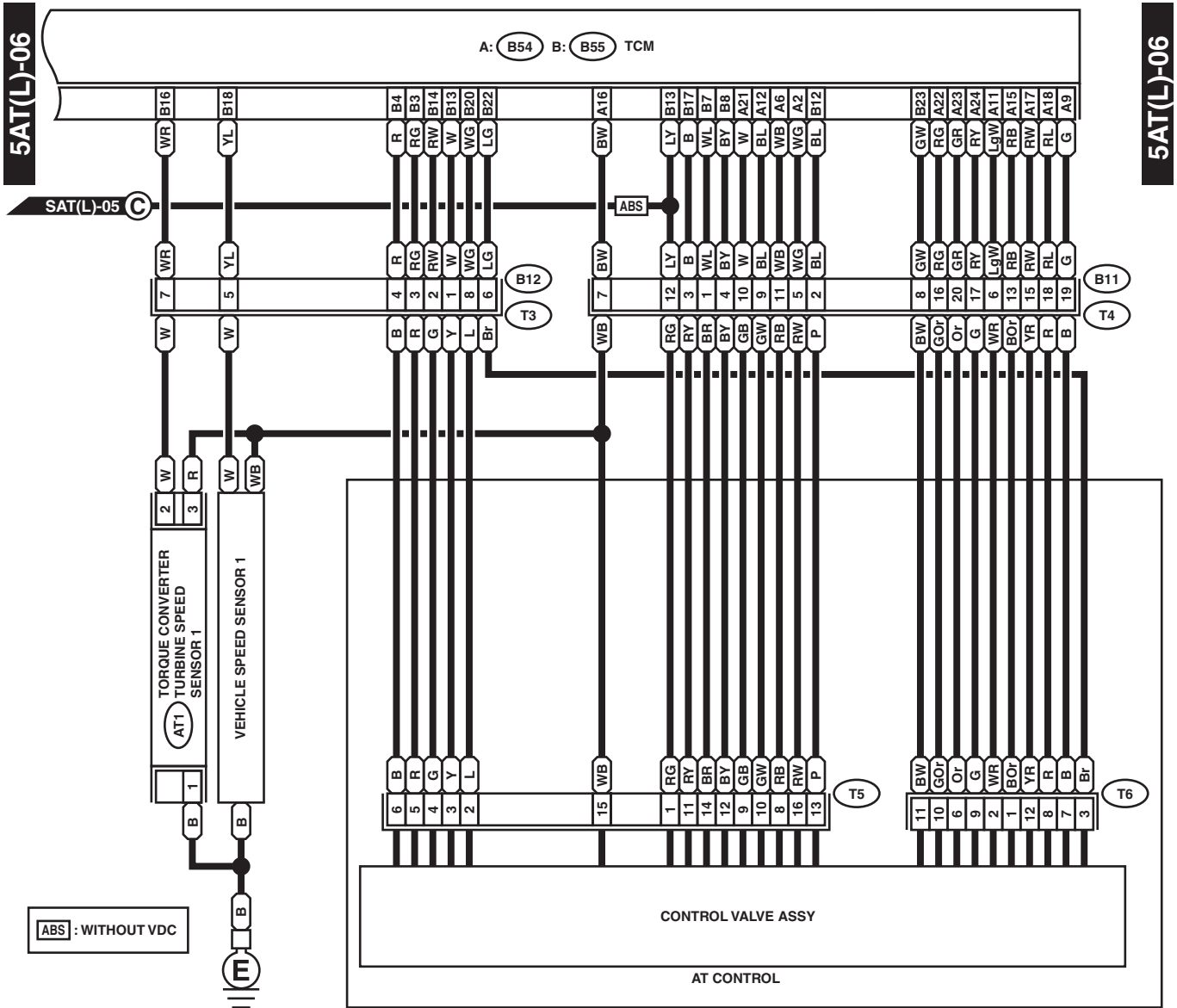
D: B137

1	2	3	4	5	6	7
8	9	10	11	12	13	14
15	16	17	18	19	20	21
22	23	24	25	26	27	28
29	30	31				

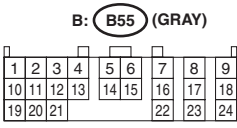
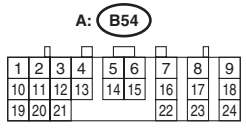
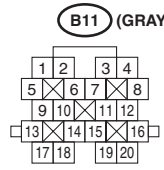
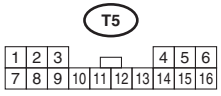
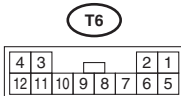
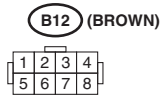
WI-03966

AT Control System

WIRING SYSTEM



5AT(L)-06

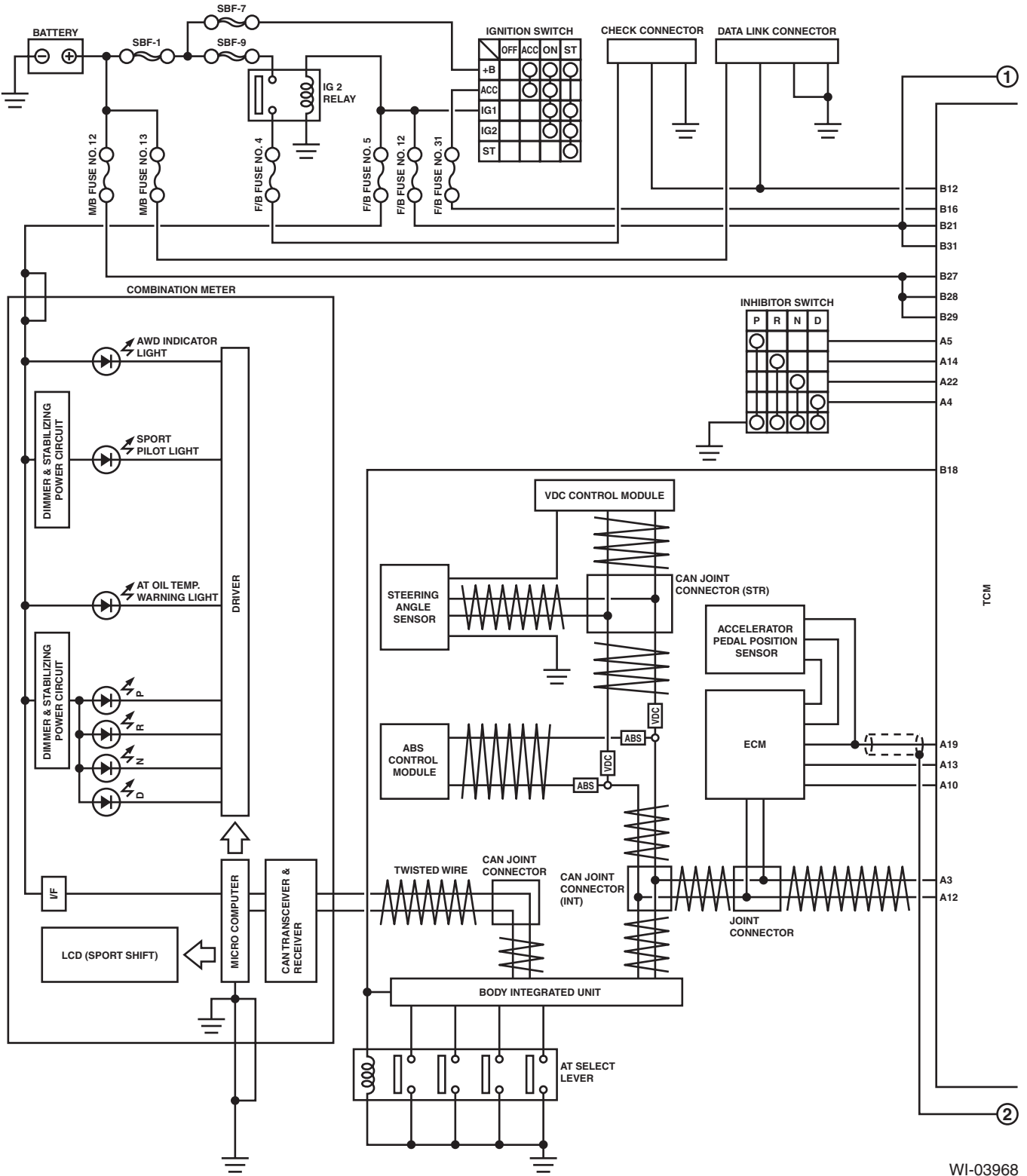


WI-03967

AT Control System

WIRING SYSTEM

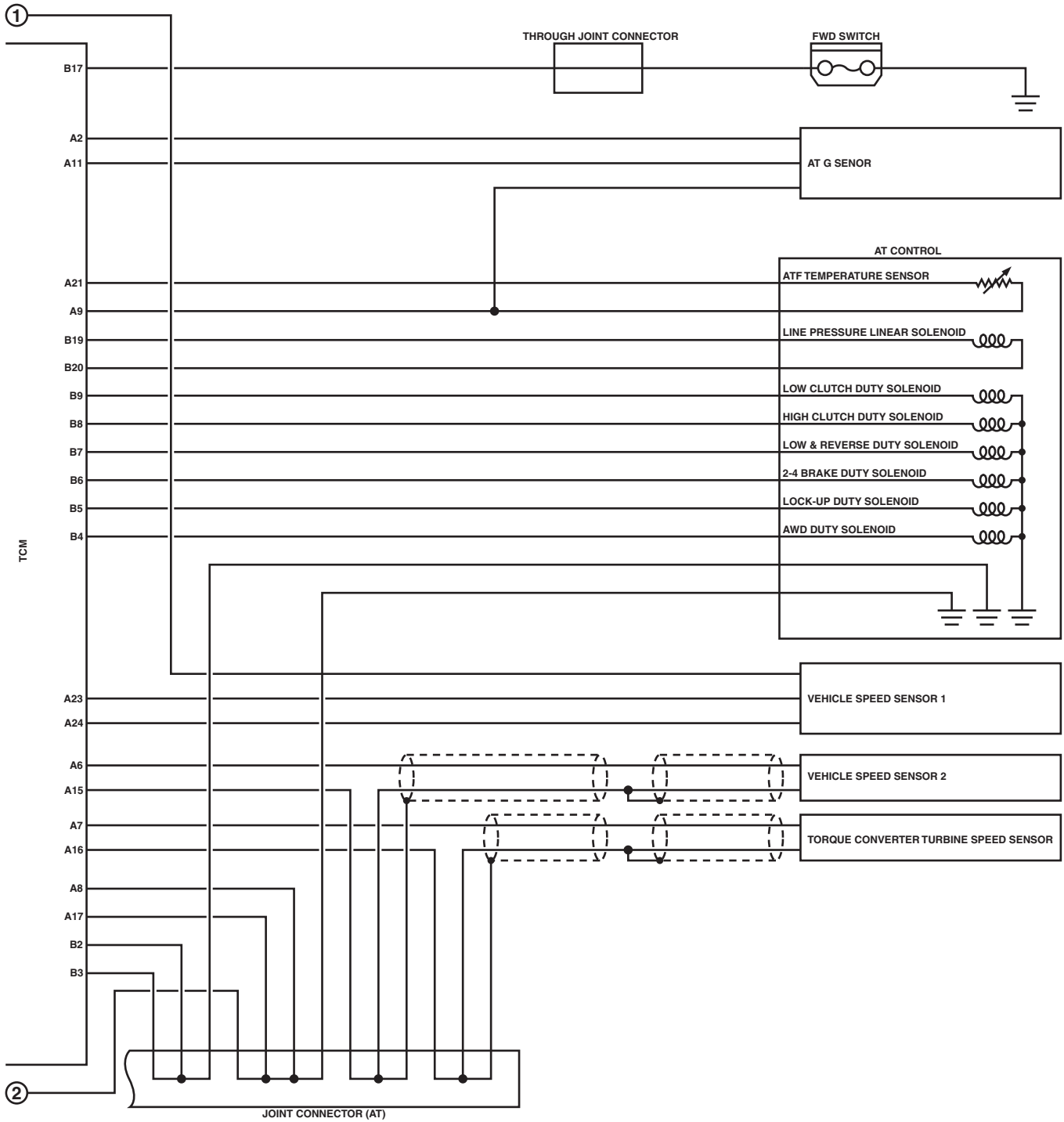
3. RHD 4AT MODEL (2.0 L NON-TURBO MODEL AND 2.5 L KA MODEL)



WI-03968

AT Control System

WIRING SYSTEM



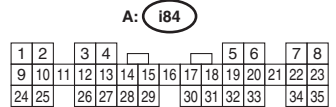
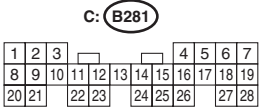
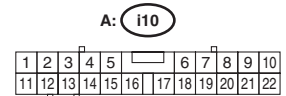
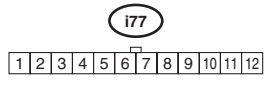
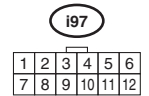
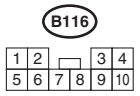
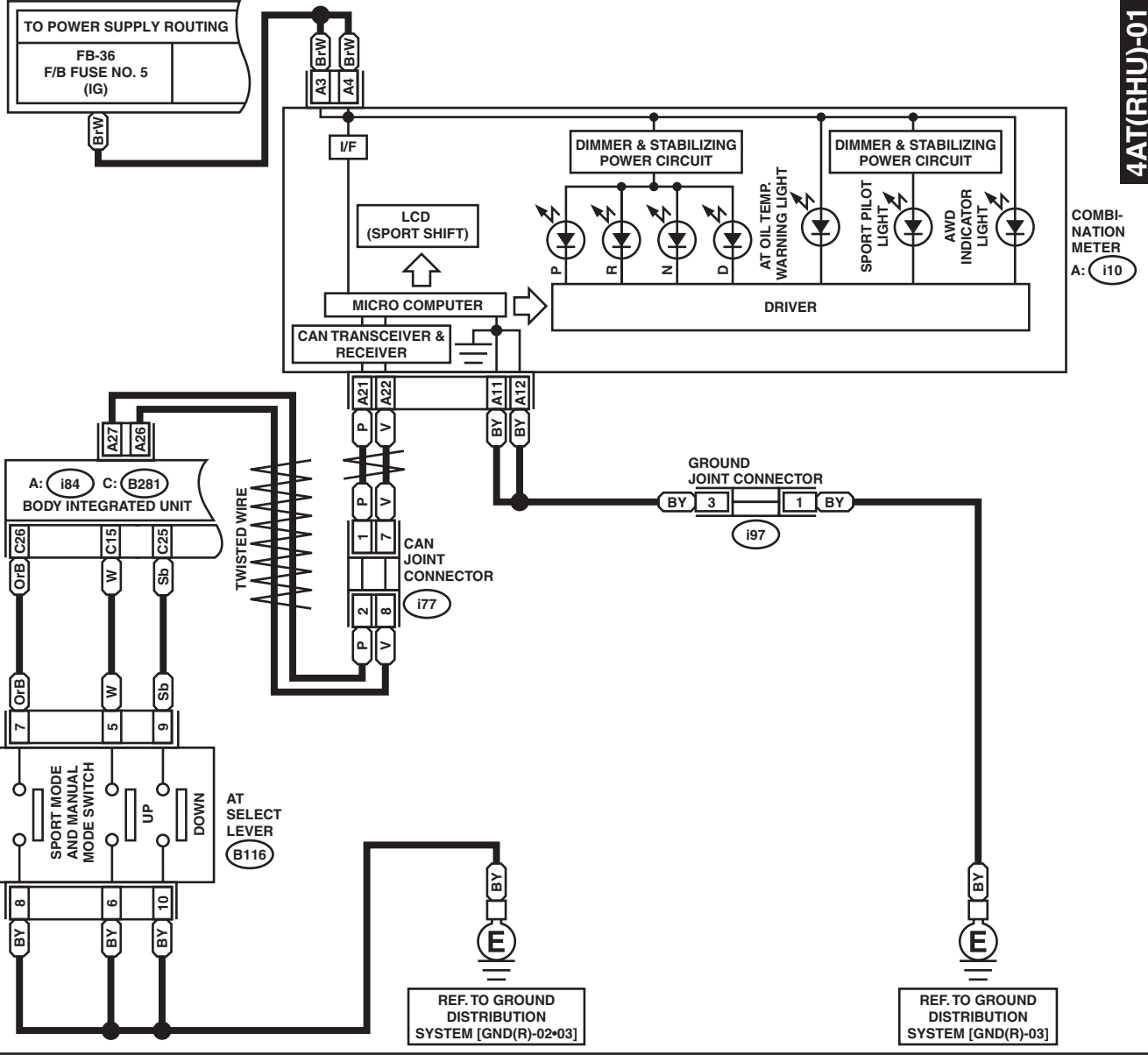
WI-03969

AT Control System

WIRING SYSTEM

4AT(RHU)-01

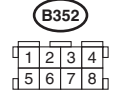
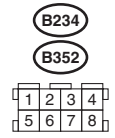
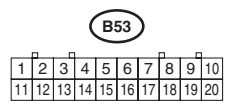
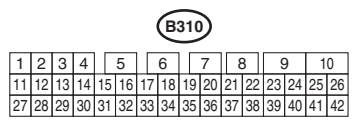
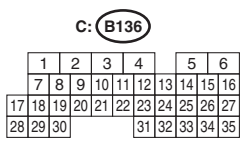
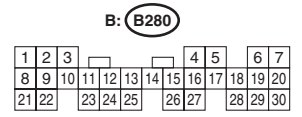
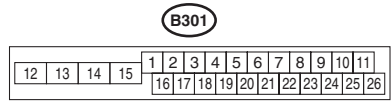
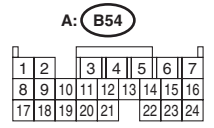
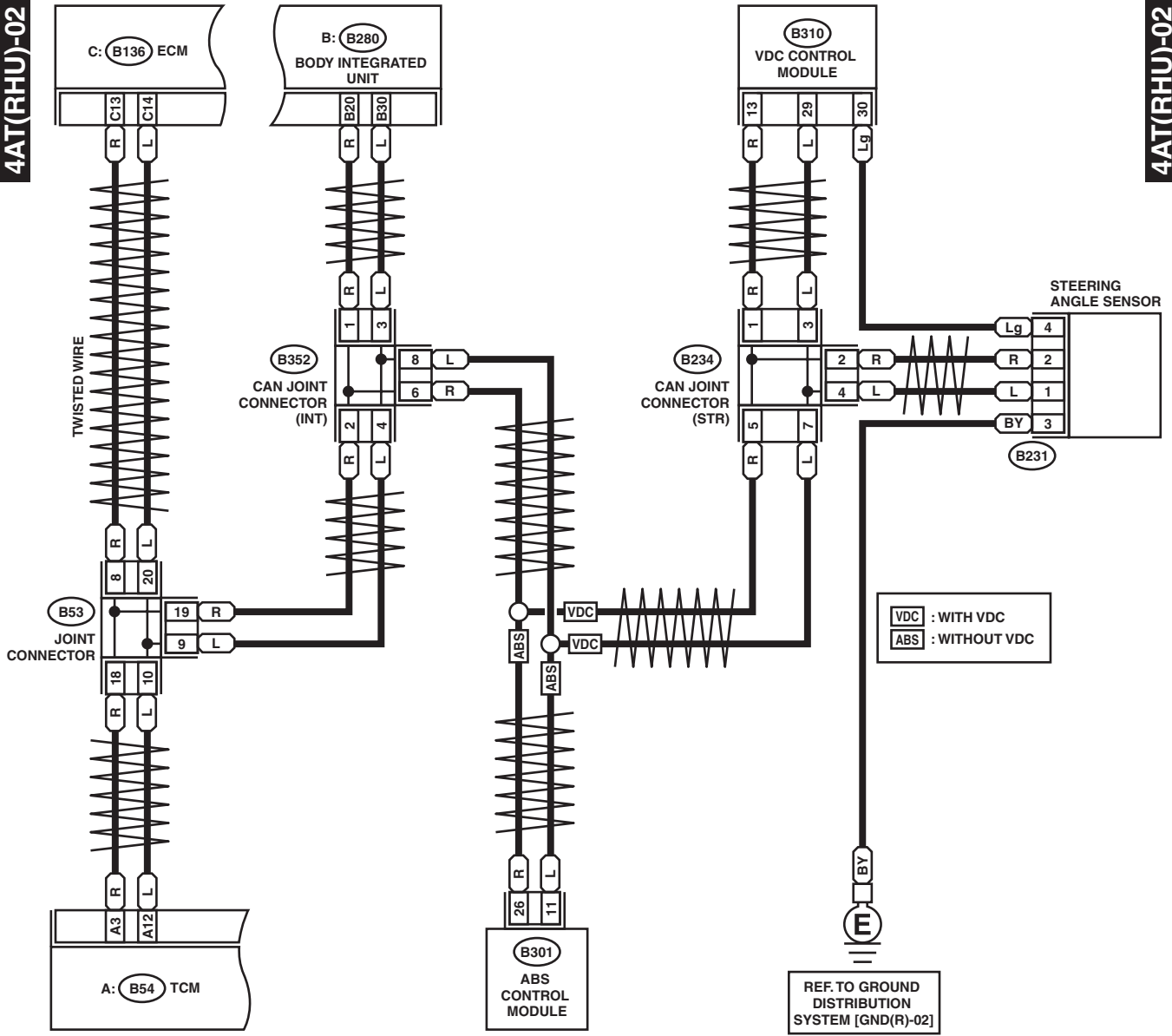
4AT(RHU)-01



WI-03970

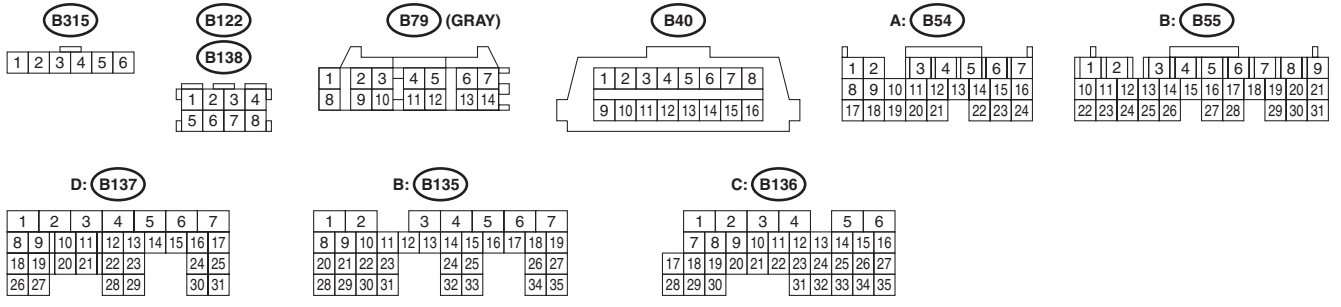
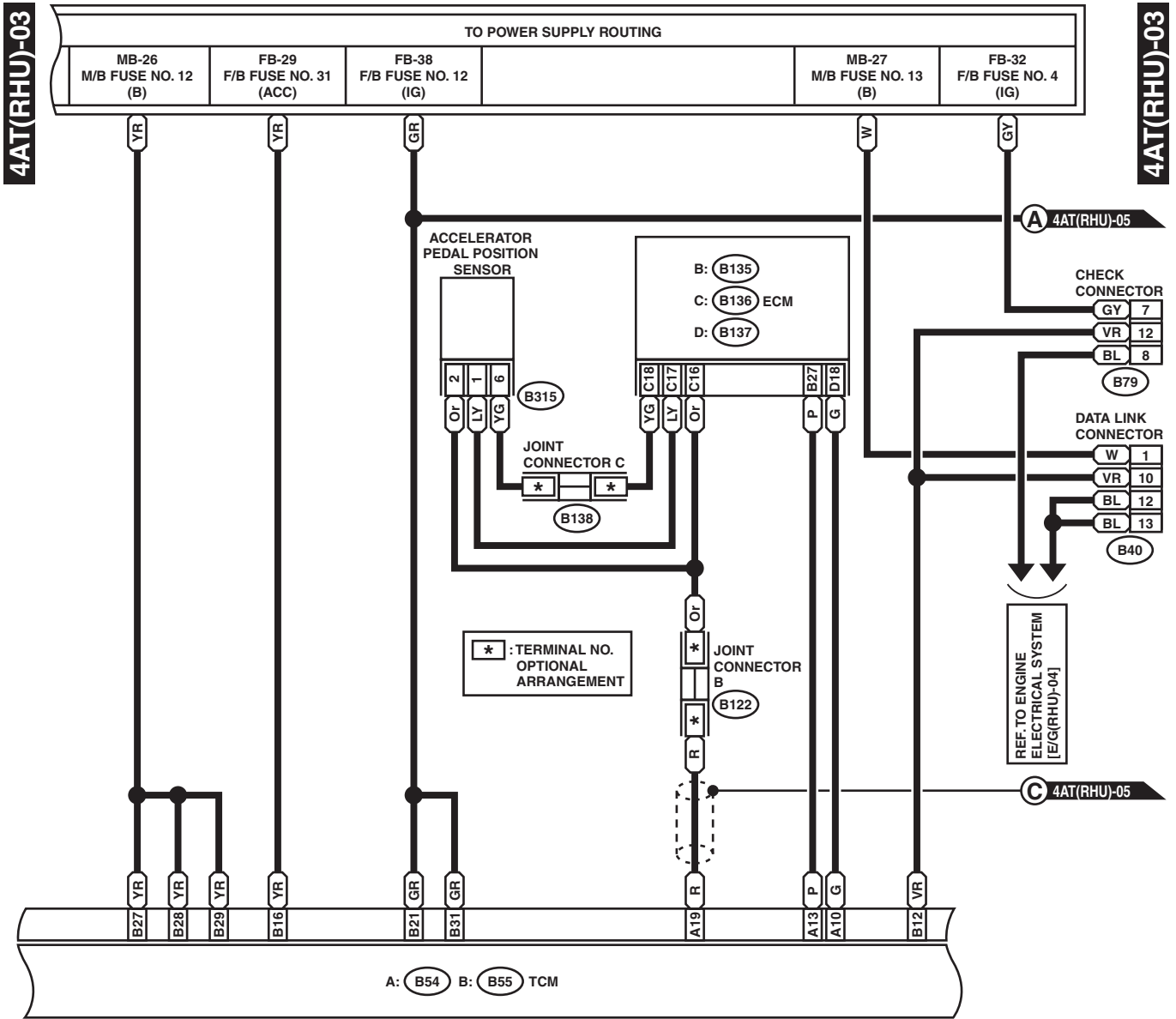
4AT(RHU)-02

4AT(RHU)-02



AT Control System

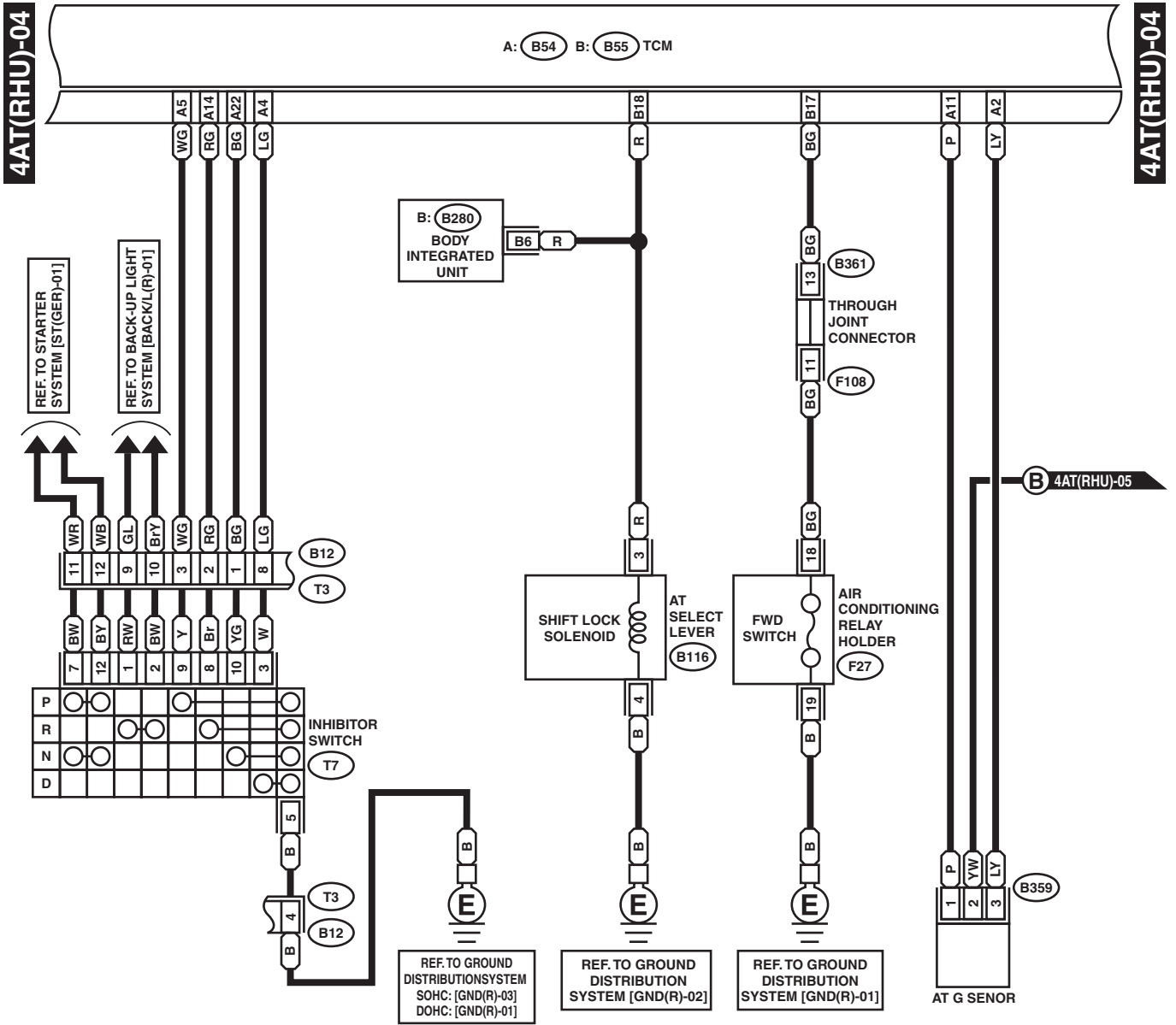
WIRING SYSTEM



WI-03972

AT Control System

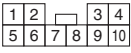
WIRING SYSTEM



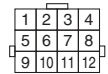
(B359)



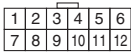
(B116)



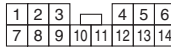
(B12)



(T7)



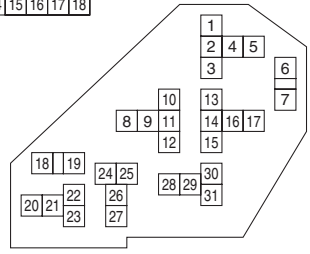
(B361)



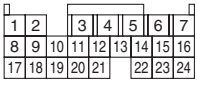
(F108)



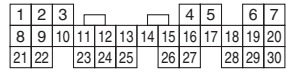
(F27)



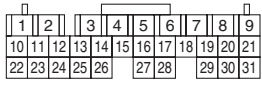
A: (B54)



B: (B280)



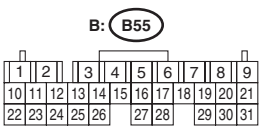
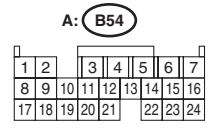
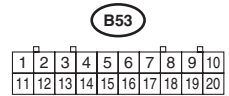
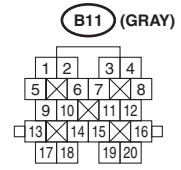
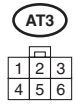
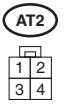
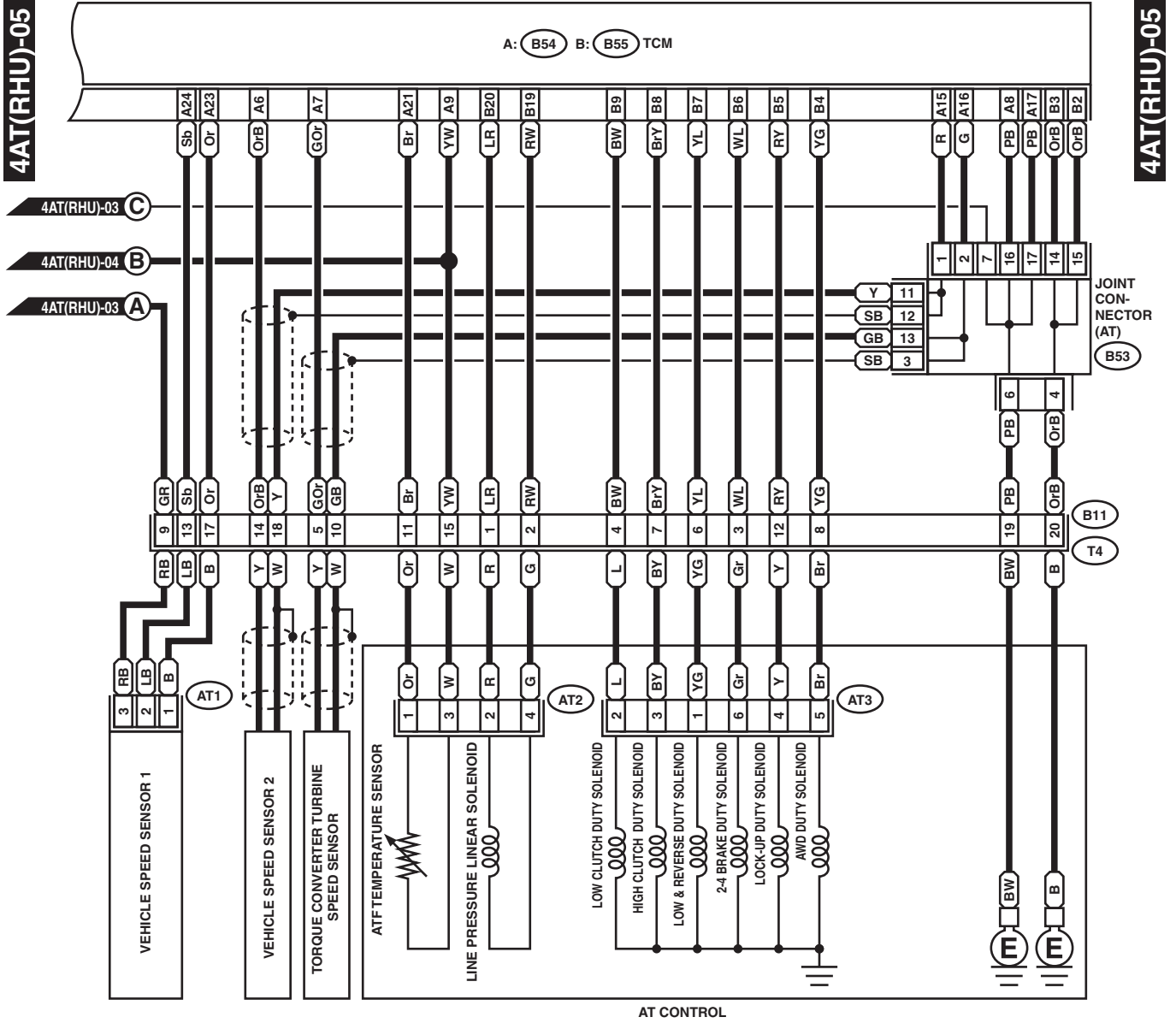
B: (B55)



WI-03973

AT Control System

WIRING SYSTEM

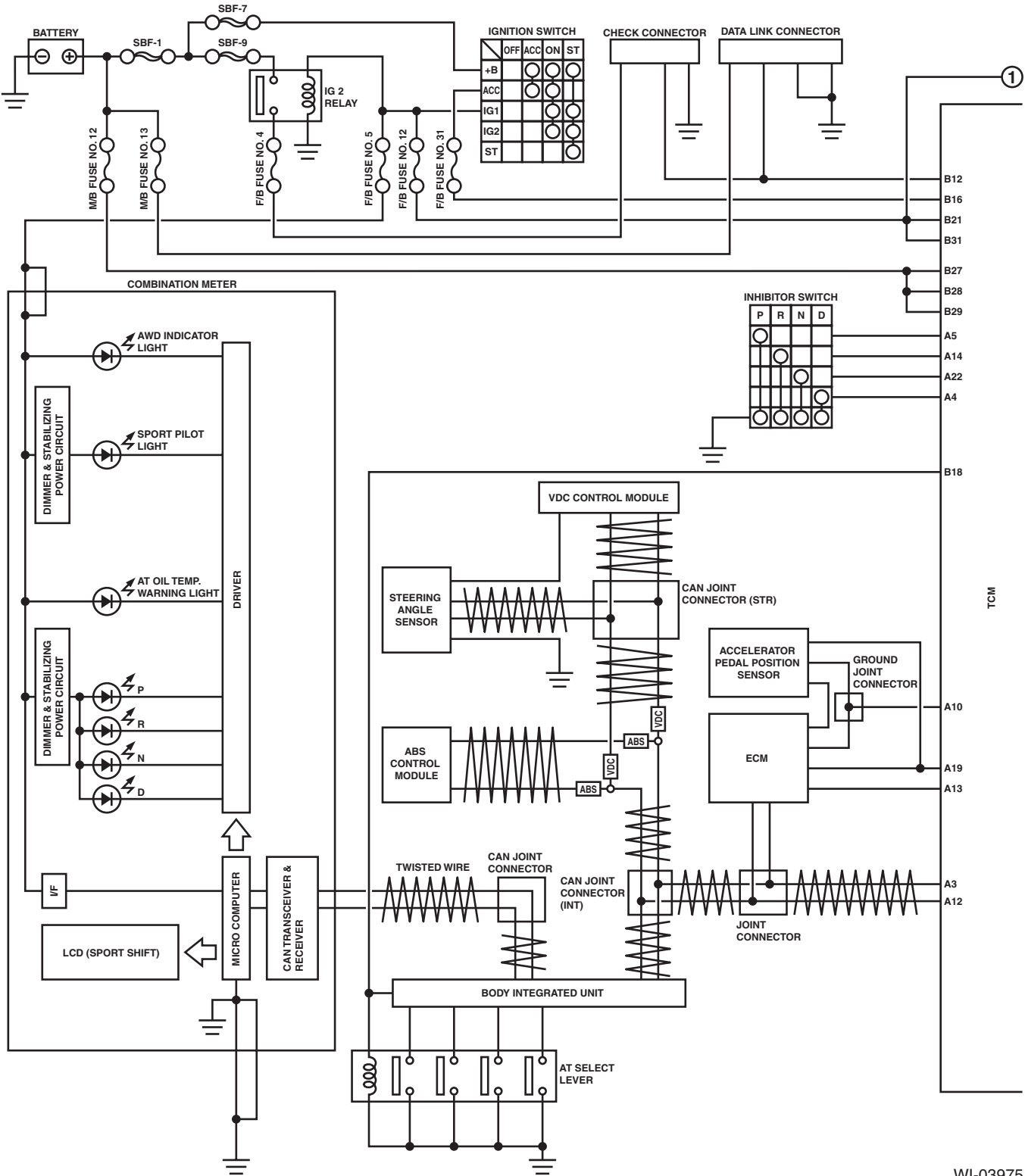


WI-03974

AT Control System

WIRING SYSTEM

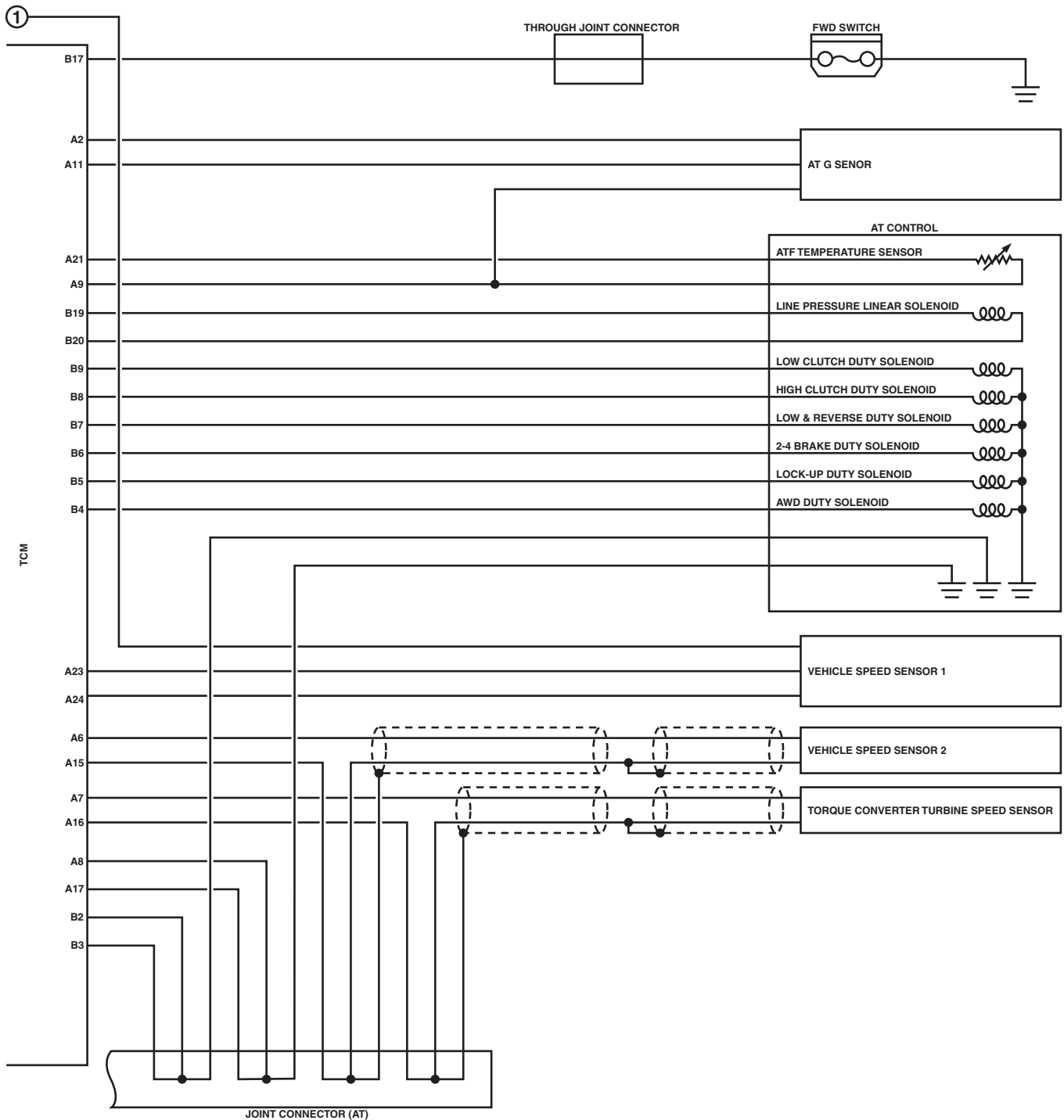
4. RHD 4AT MODEL (2.5 L EK MODEL)



WI-03975

AT Control System

WIRING SYSTEM



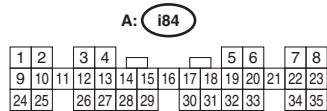
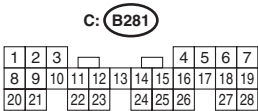
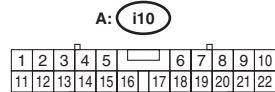
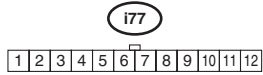
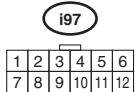
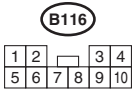
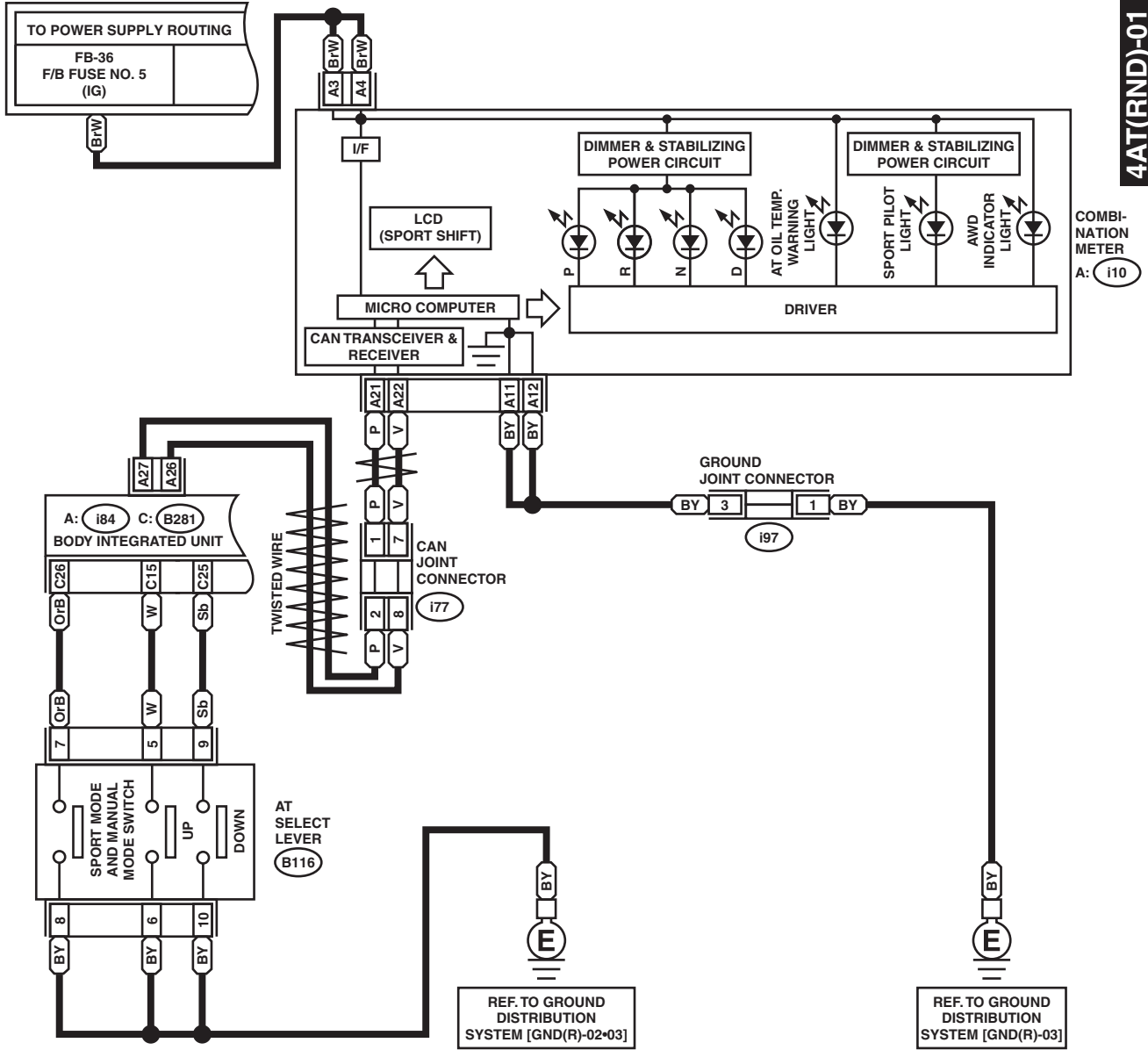
WI-04300

AT Control System

WIRING SYSTEM

4AT(RND)-01

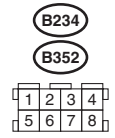
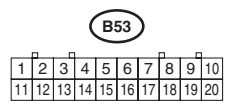
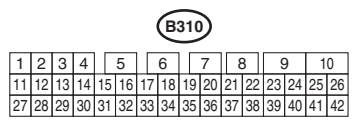
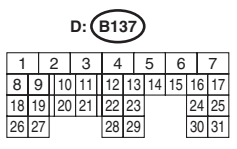
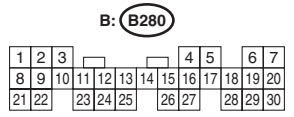
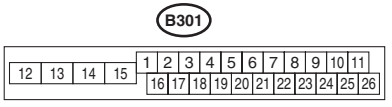
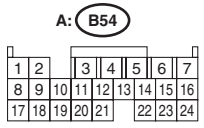
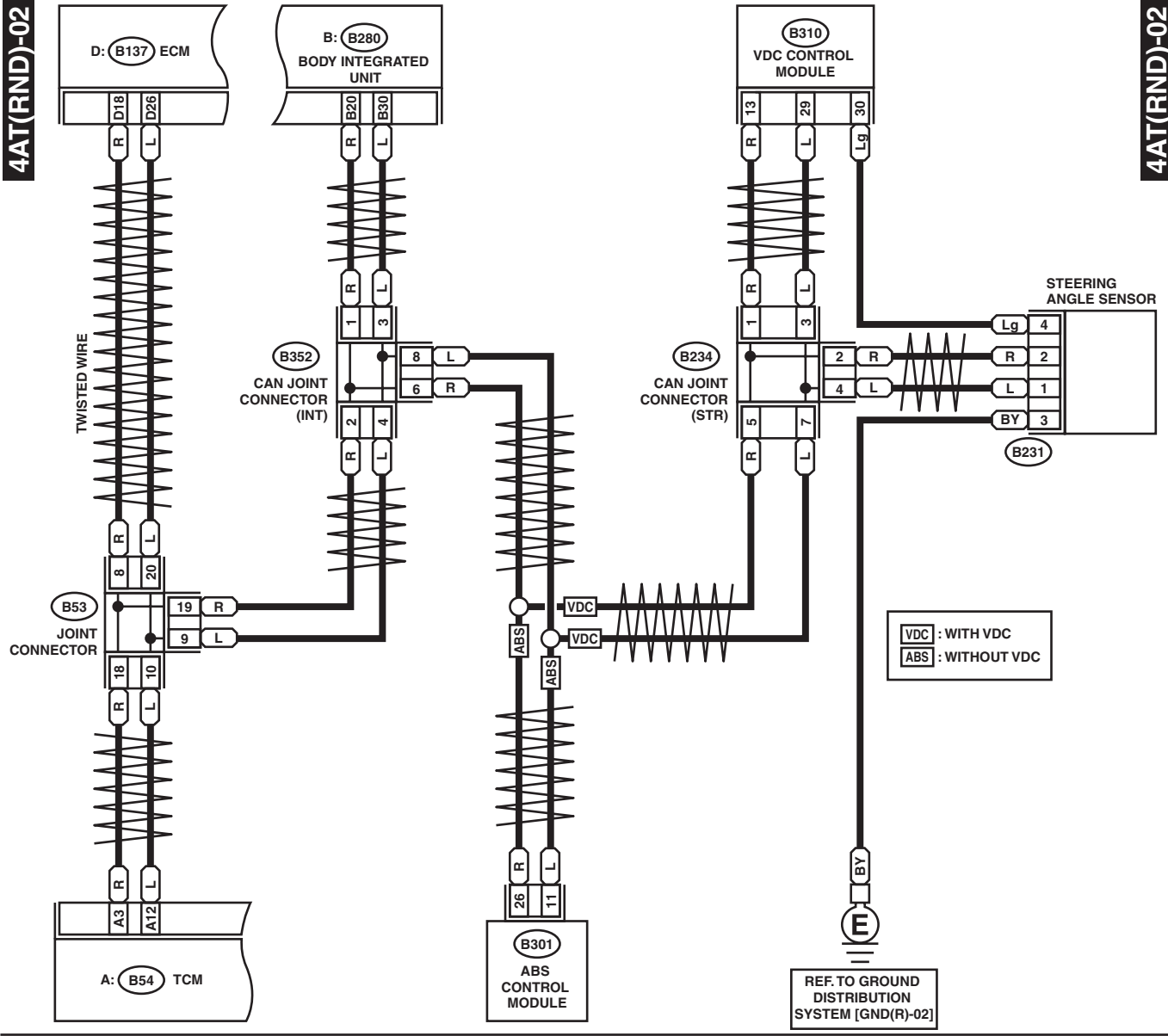
4AT(RND)-01



WI-03976

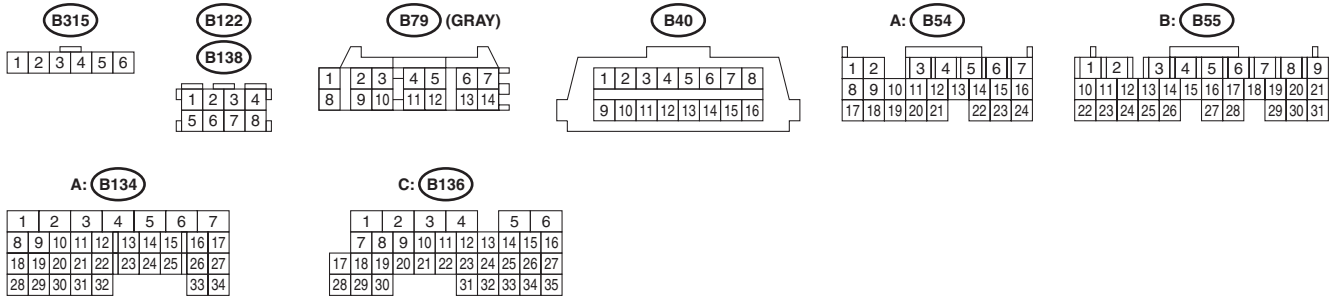
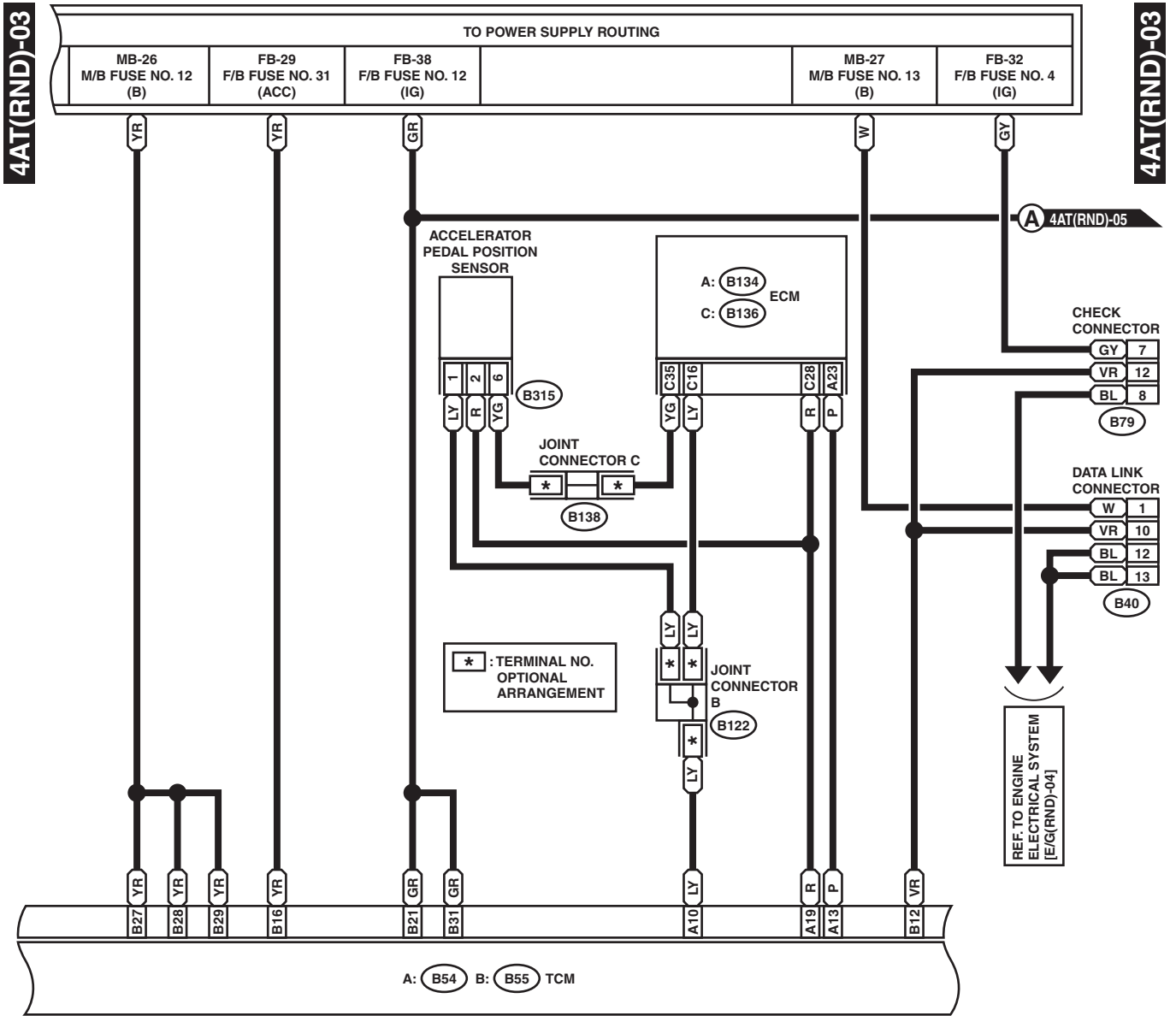
4AT(RND)-02

4AT(RND)-02



AT Control System

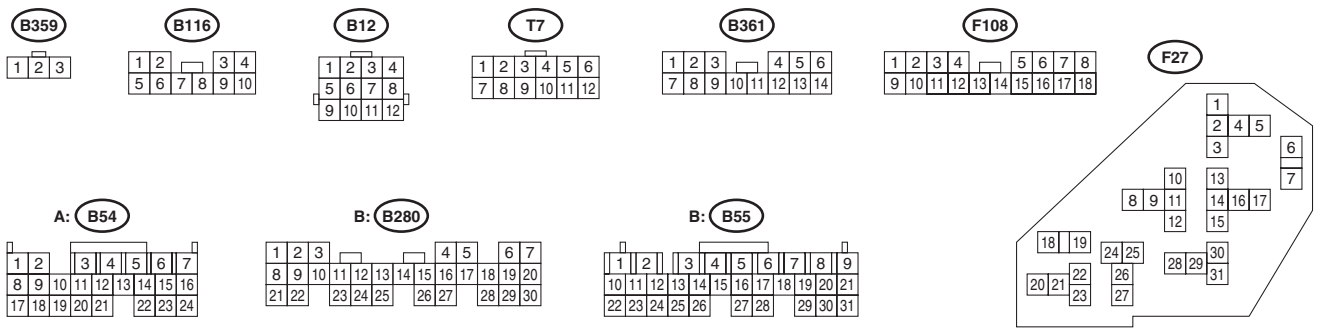
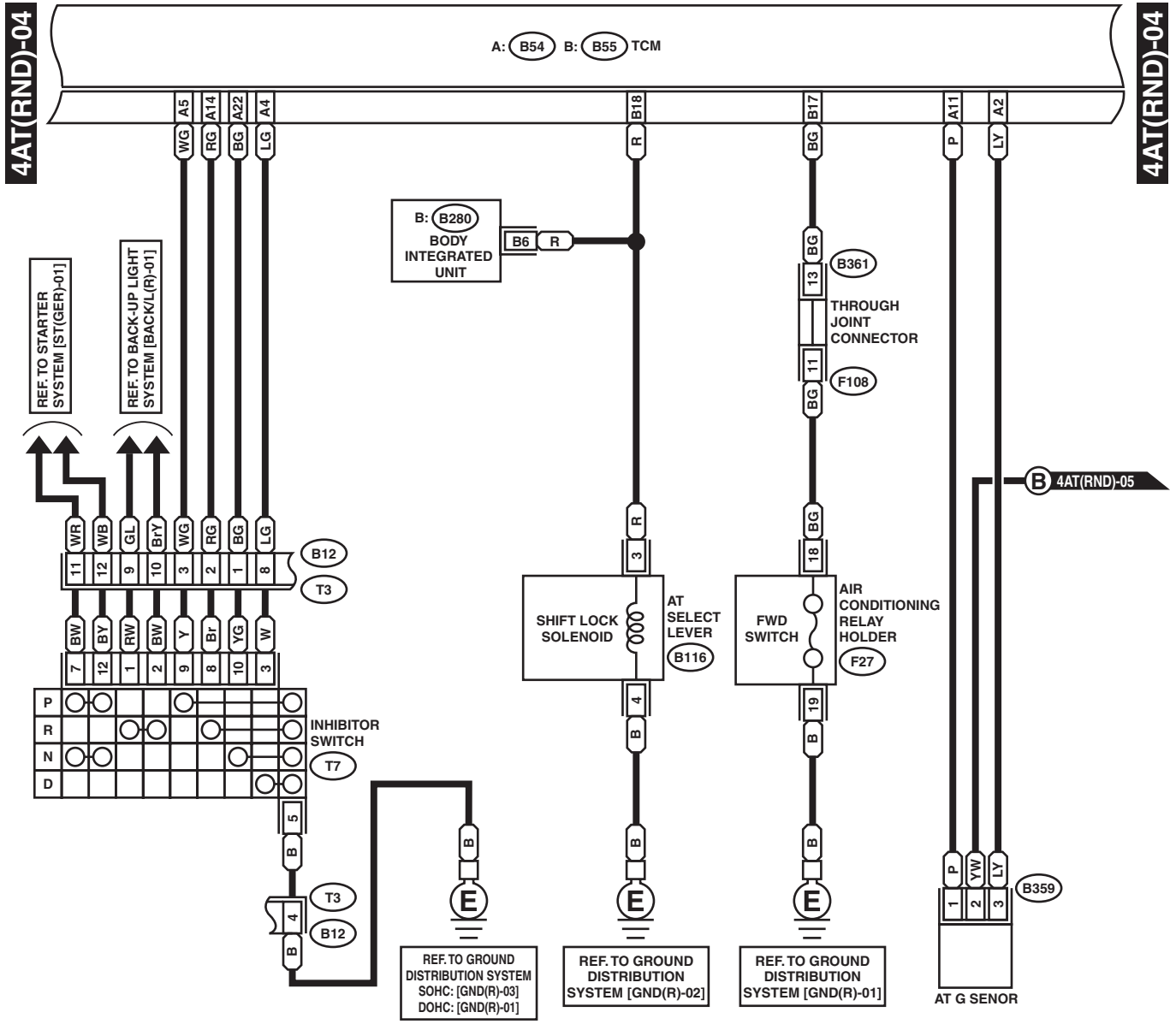
WIRING SYSTEM



WI-03978

AT Control System

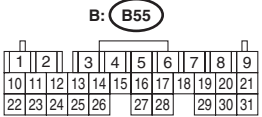
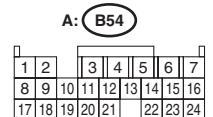
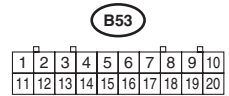
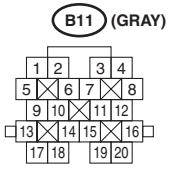
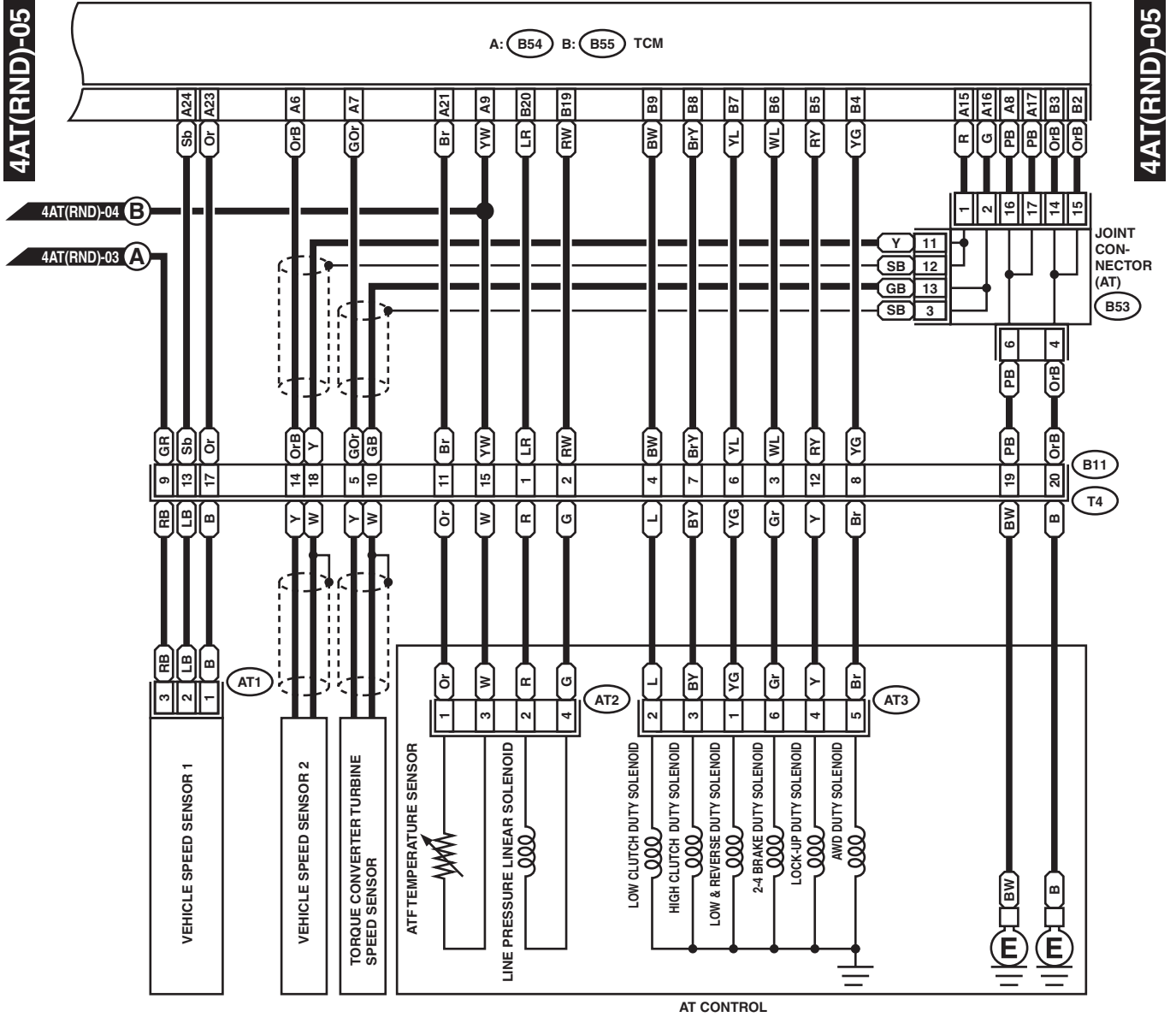
WIRING SYSTEM



WI-03979

AT Control System

WIRING SYSTEM

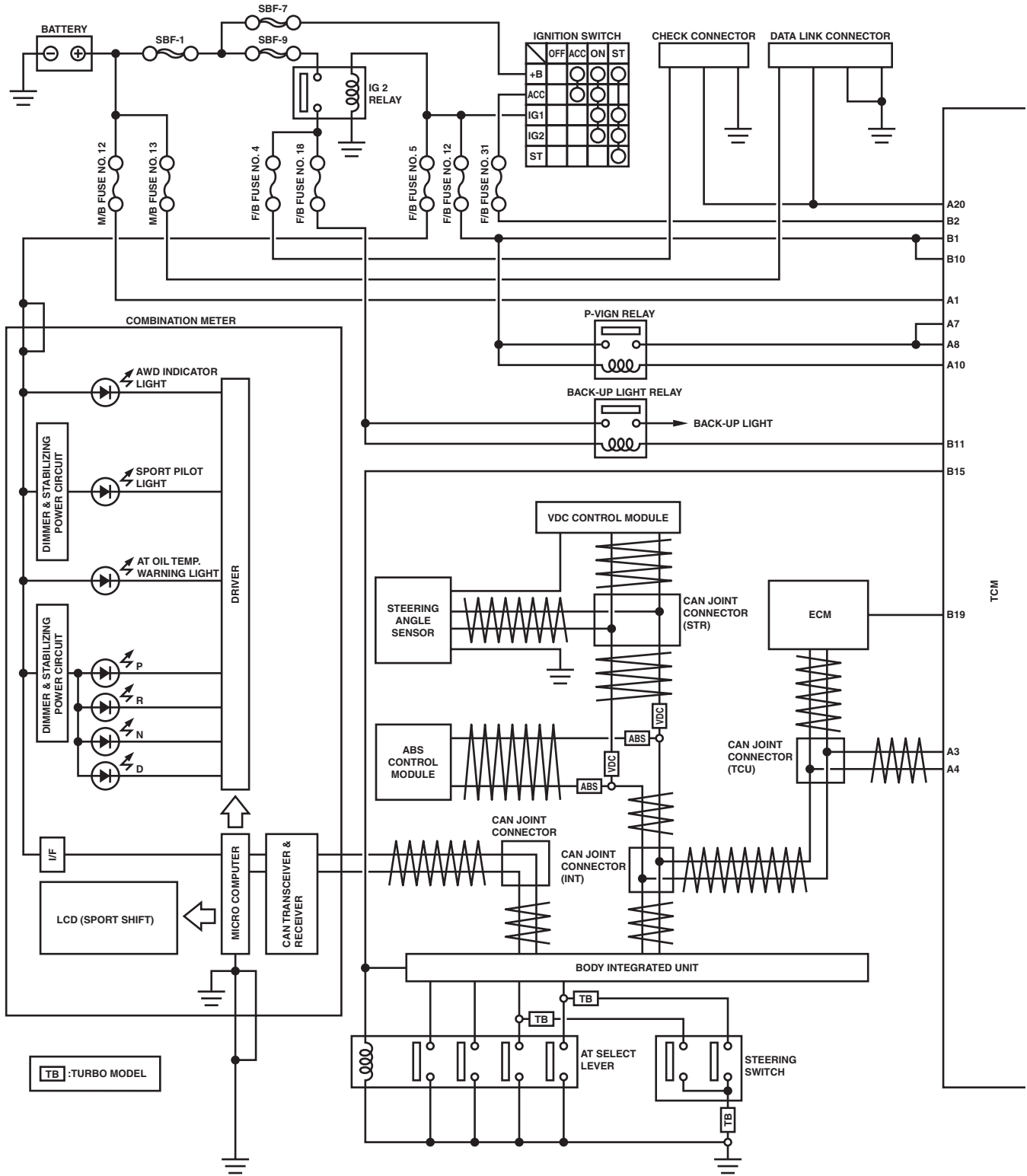


WI-03980

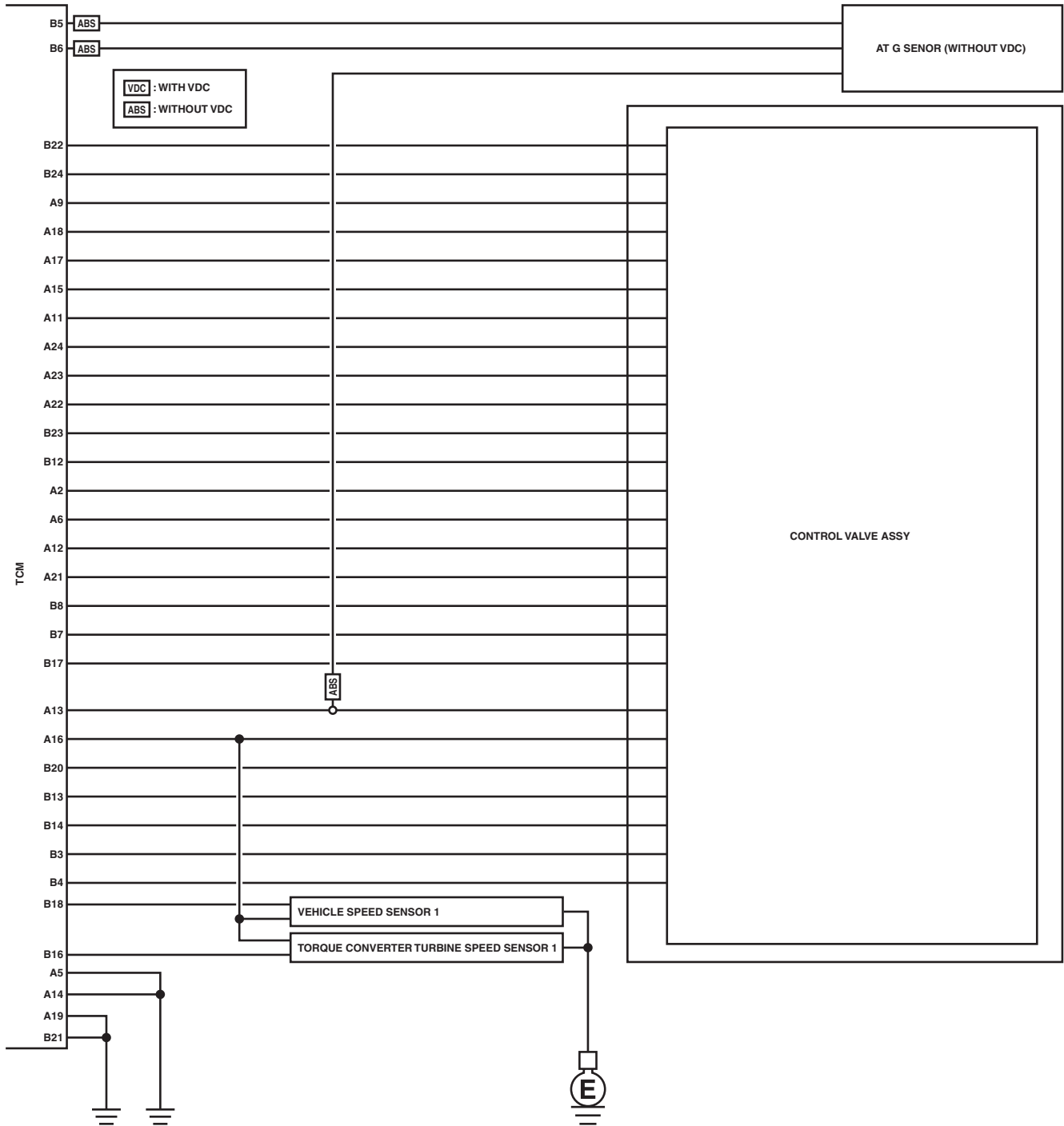
AT Control System

WIRING SYSTEM

5. RHD 5AT MODEL



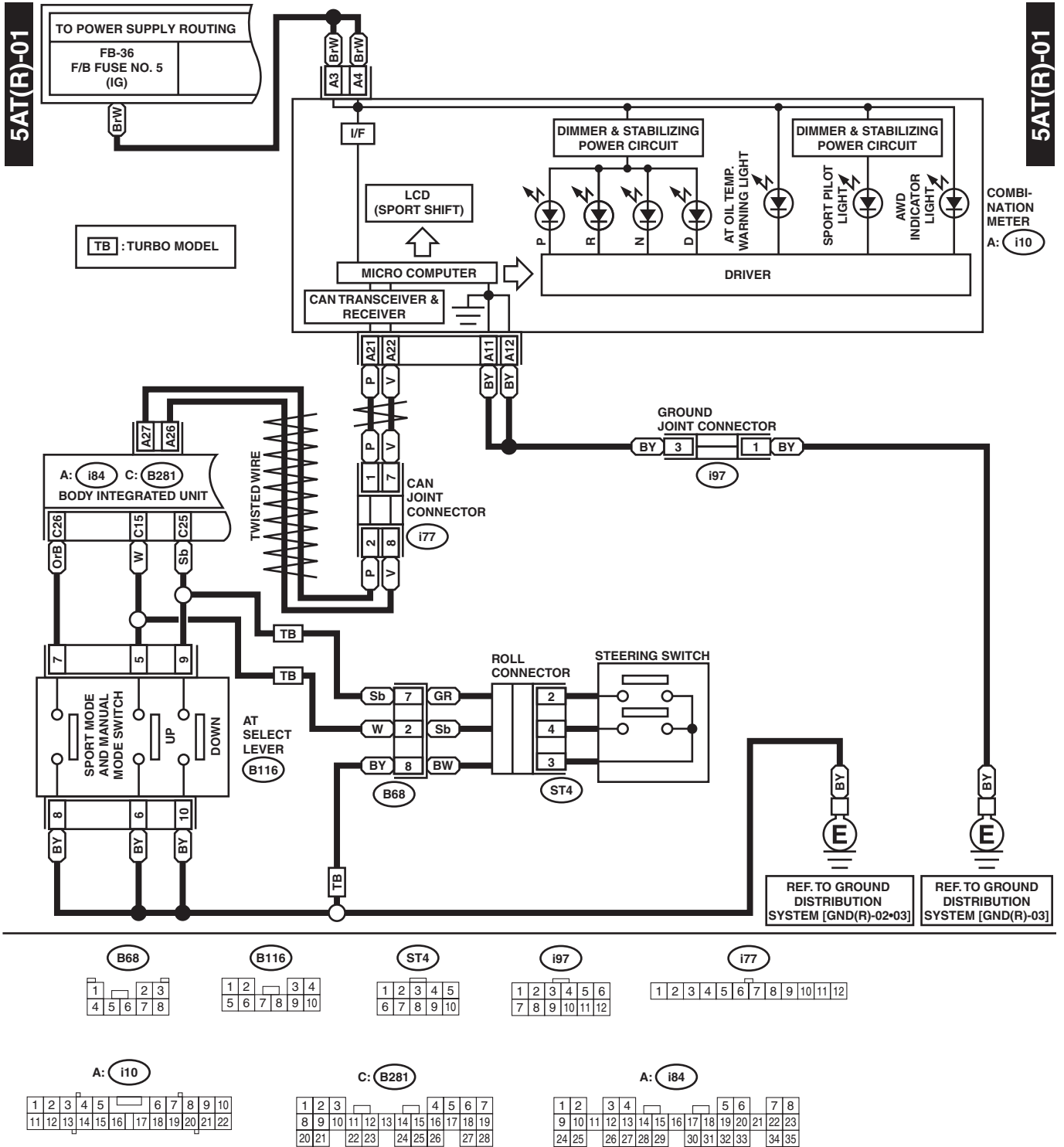
WI-03981



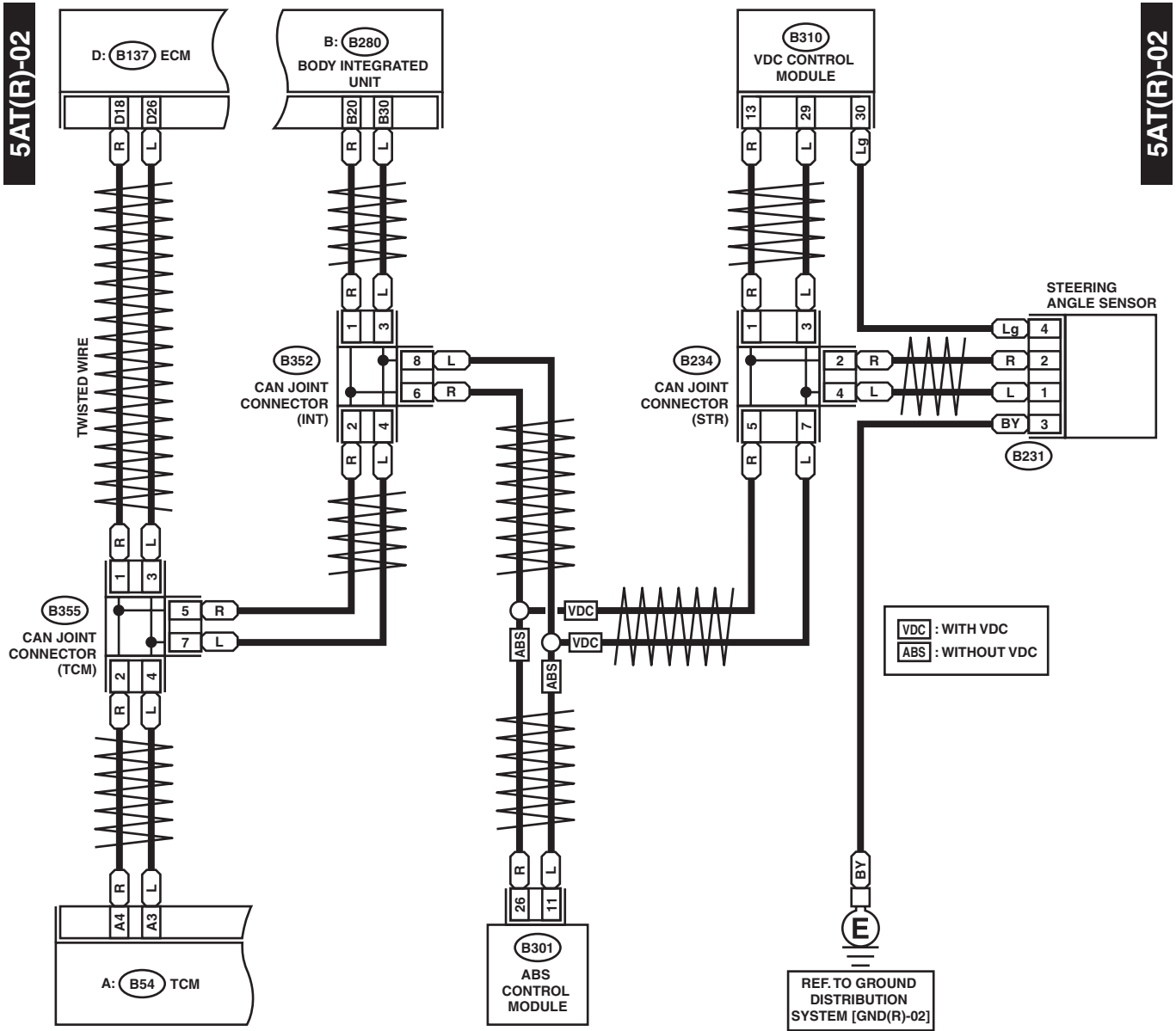
WI-03982

AT Control System

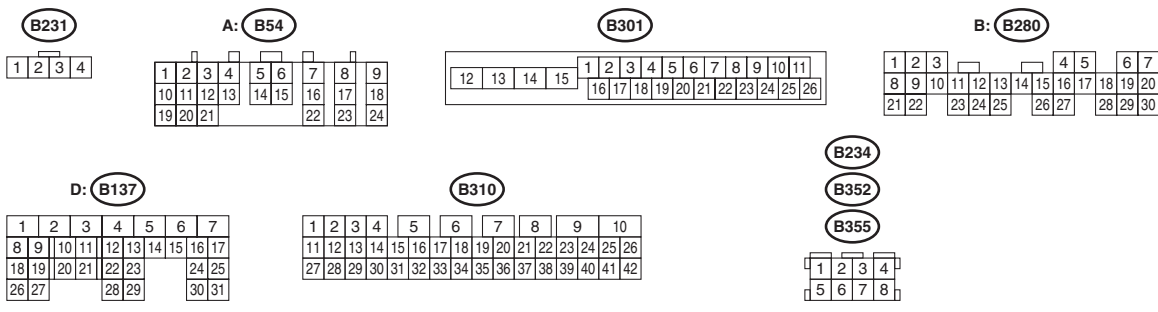
WIRING SYSTEM



WI-03983



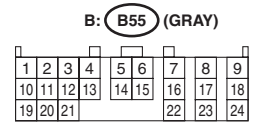
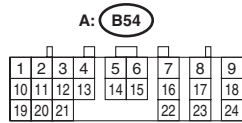
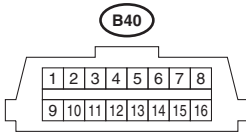
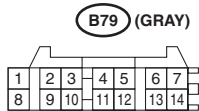
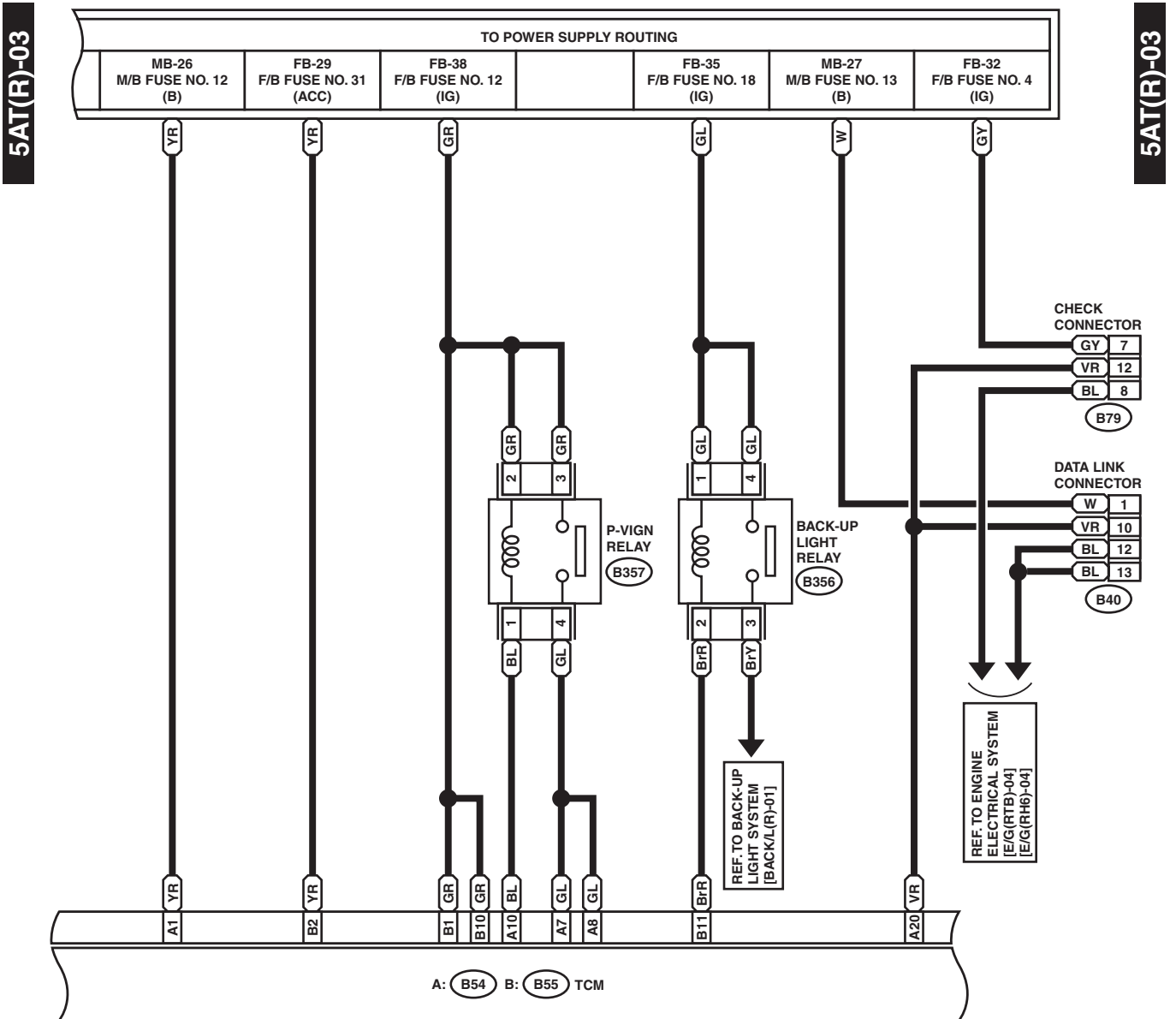
5AT(R)-02



WI-03984

AT Control System

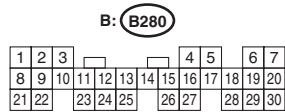
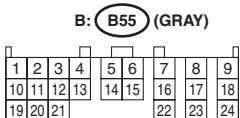
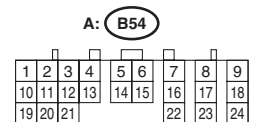
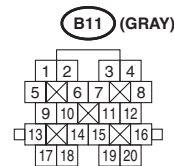
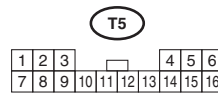
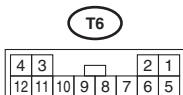
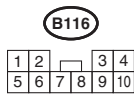
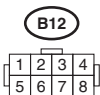
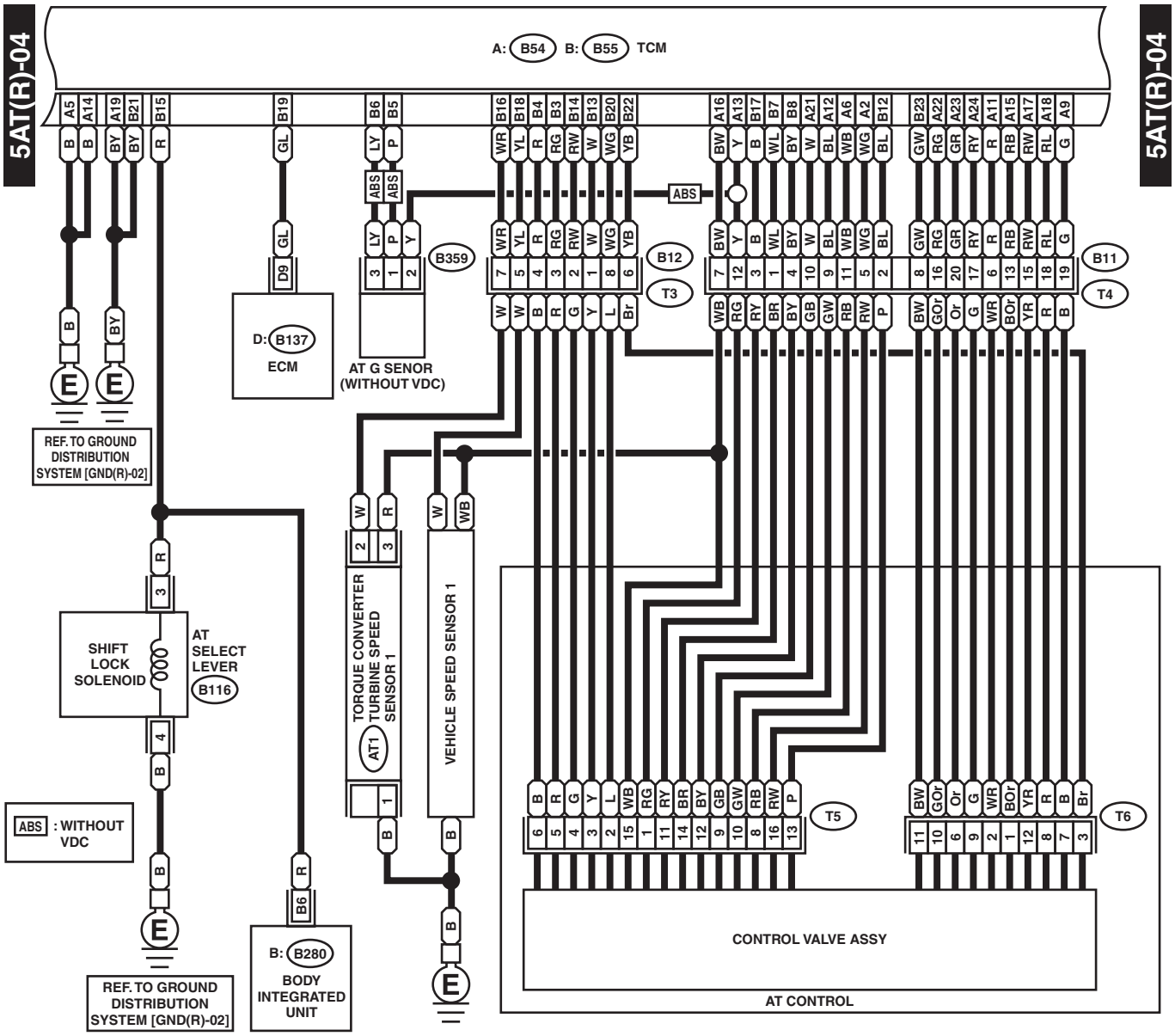
WIRING SYSTEM



WI-03985

AT Control System

WIRING SYSTEM



WI-03986

WIRING SYSTEM SECTION

WIRING SYSTEM

WI

This service manual has been prepared to provide SUBARU service personnel with the necessary information and data for the correct maintenance and repair of SUBARU vehicles.

This manual includes the procedures for maintenance, disassembling, reassembling, inspection and adjustment of components and diagnostics for guidance of experienced mechanics.

Please peruse and utilize this manual fully to ensure complete repair work for satisfying our customers by keeping their vehicle in optimum condition. When replacement of parts during repair work is needed, be sure to use SUBARU genuine parts.

All information, illustration and specifications contained in this manual are based on the latest product information available at the time of publication approval.

WIRING SYSTEM



	Page
1. Basic Diagnostic Procedure	3
2. Working Precautions	15
3. Power Supply Circuit	16
4. Ground Distribution Circuit	30
5. Airbag System	51
6. Air Conditioning System	59
7. Anti-lock Brake System	73
8. AT Control System	78
9. Audio System	116
10. CAN Communication System	124
11. Charging System	128
12. Clock System	129
13. Combination Meter	130
14. Cruise Control System	134
15. Coolant Temperature System	149
16. Engine Electrical System	150
17. Fuel Gauge System	239
18. Full Time Dual-range System	240
19. Front Accessory Power Supply Socket System	242
20. Headlight Beam Leveler System	243
21. Horn System	245
22. Immobilizer System	246
23. Keyless Entry System	248
24. Back-up Light System	257
25. Clearance Light and Illumination Light System	259
26. Front Fog Light System	267
27. Headlight System	269
28. Interior Light System	271
29. Rear Fog Light System	279
30. Stop Light System	281
31. Turn Signal Light and Hazard Light System	282
32. Navigation System	286
33. Oil Pressure Warning Light System	290
34. Parking Brake / Brake Fluid Level Warning Light System	291
35. Power Seat System	293
36. Power Window System	294
37. Radiator Fan System	302
38. Rear Window Defogger System	304
39. Remote Control Mirror System	306
40. Seat Belt Warning System	308
41. Seat Heater System	310
42. Starter System	312
43. Sunroof System	316

44.	Vehicle Dynamics Control System	318
45.	Front Wiper and Washer System	324
46.	Rear Wiper and Washer System.....	326
47.	Wiper Deicer System	328
48.	Alarm Control System	329
49.	Rear Accessory Power Supply System.....	330
50.	Harness Components Location.....	331
51.	Front Wiring Harness	335
52.	Bulkhead Wiring Harness (In Engine Compartment)	337
53.	Bulkhead Wiring Harness (In Compartment)	343
54.	Engine Wiring Harness and Transmission Cord	349
55.	Instrument Panel Wiring Harness	357
56.	Rear Wiring Harness	361
57.	Door Cord.....	367
58.	Rear Wiring Harness and Trunk Lid Cord	371
59.	Rear Wiring Harness and Rear Gate Cord	373

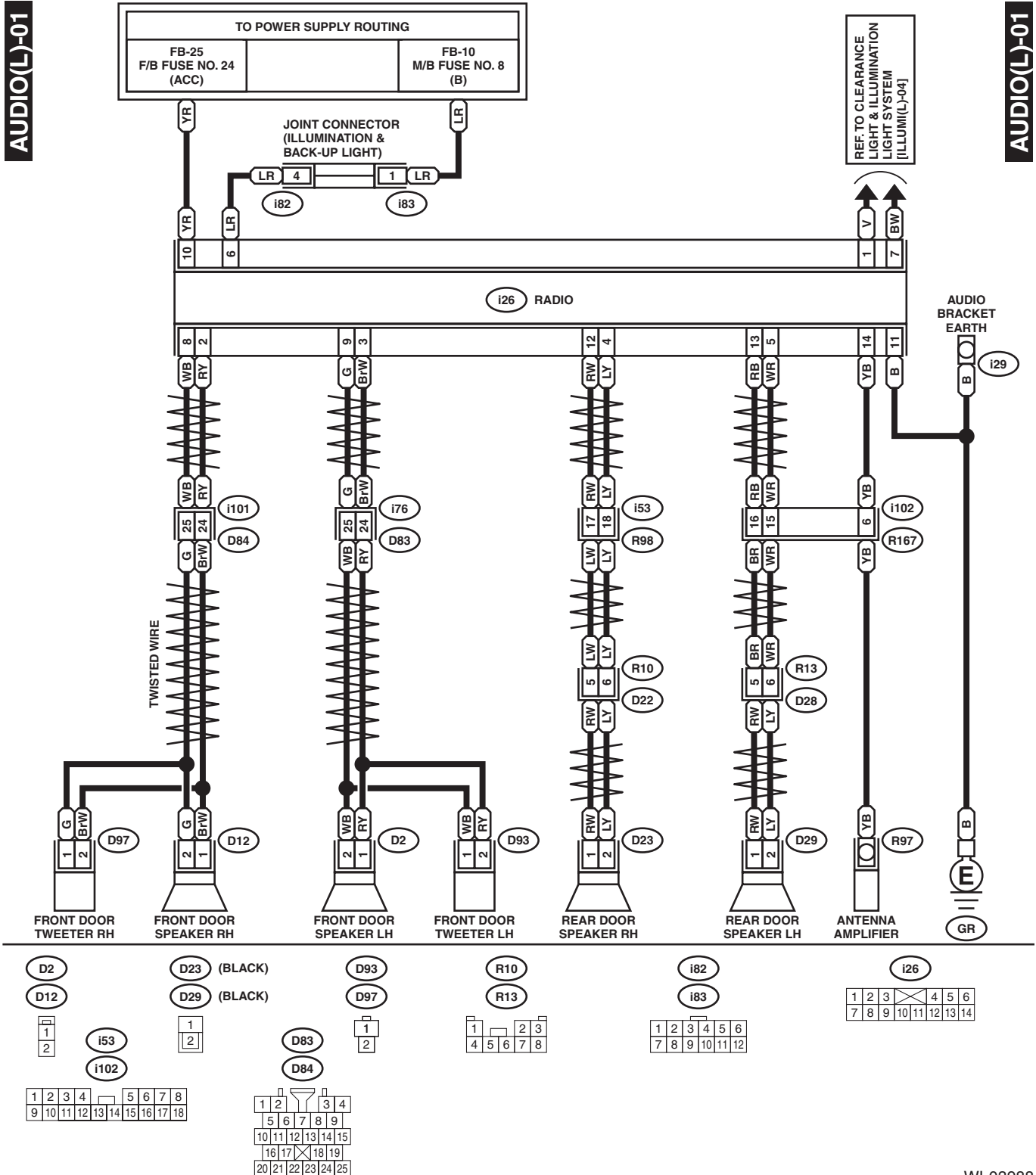
Audio System

WIRING SYSTEM

9. Audio System

A: WIRING DIAGRAM

1. LHD MODEL

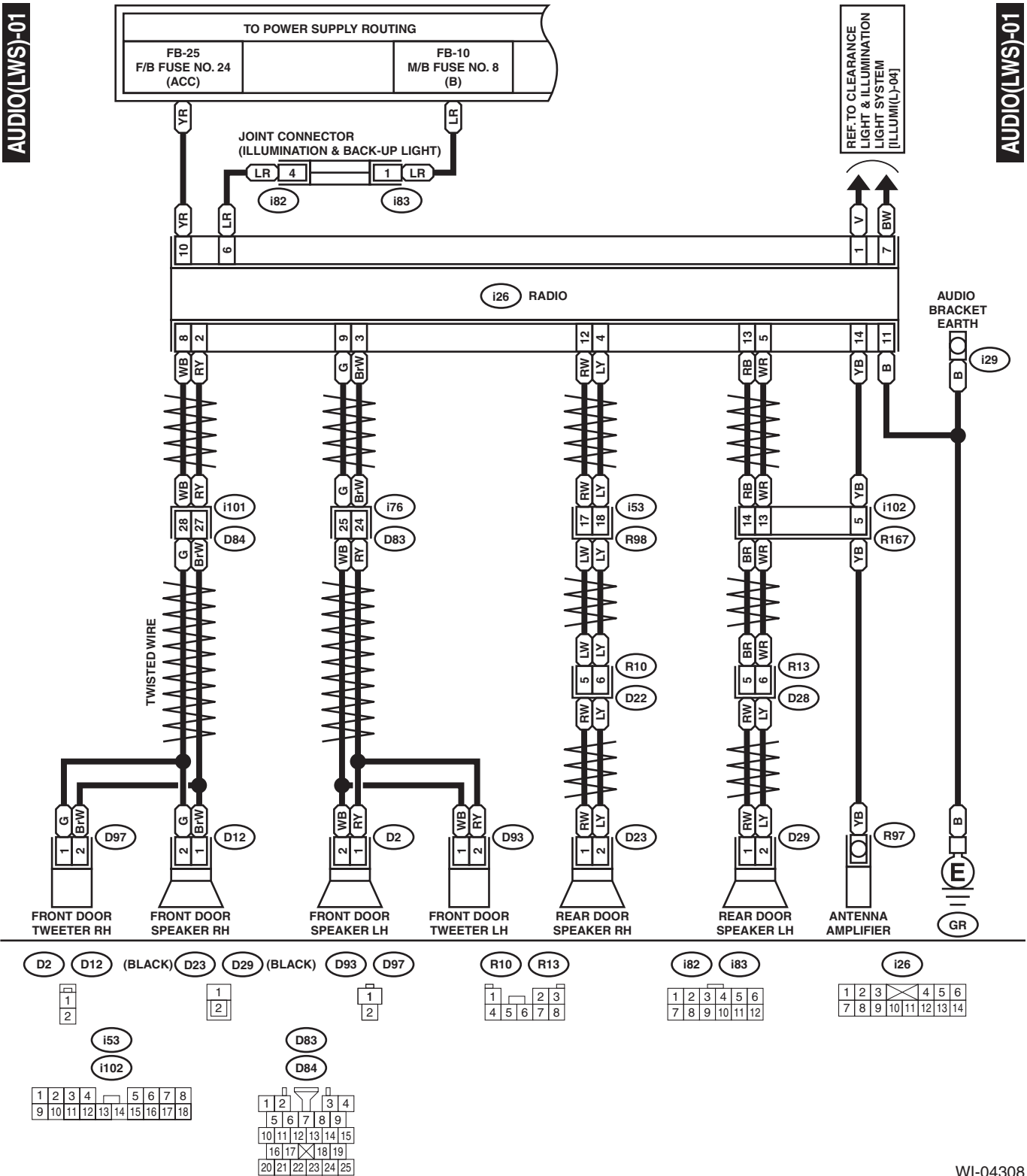


WI-03988

2. LHD MODEL WITH SATELLITE SWITCH

AUDIO(LWS)-01

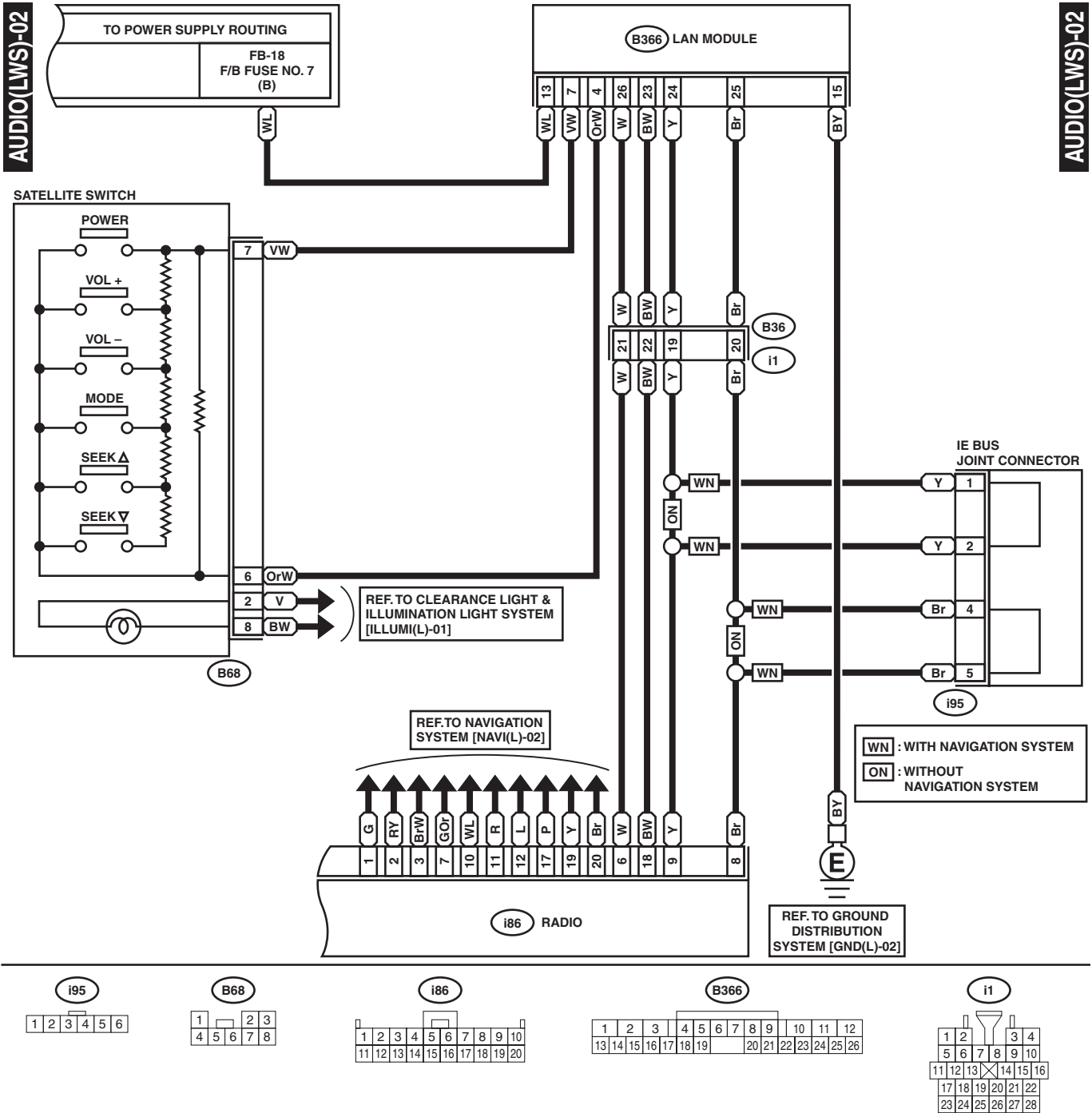
AUDIO(LWS)-01



WI-04308

Audio System

WIRING SYSTEM



WI-04309

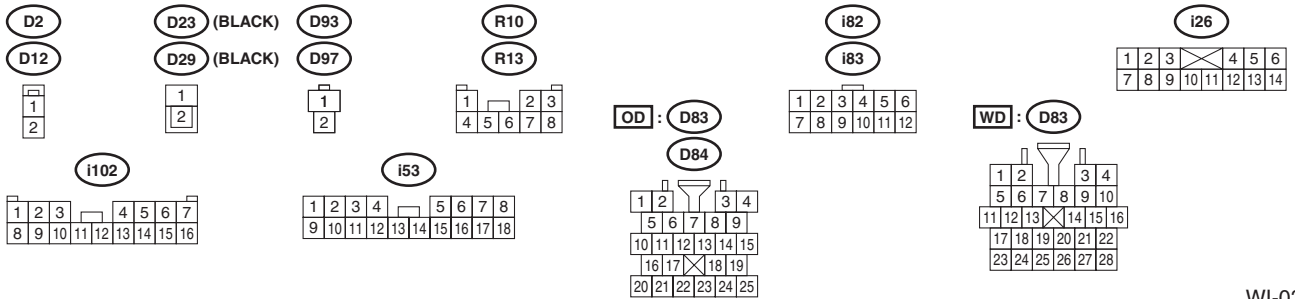
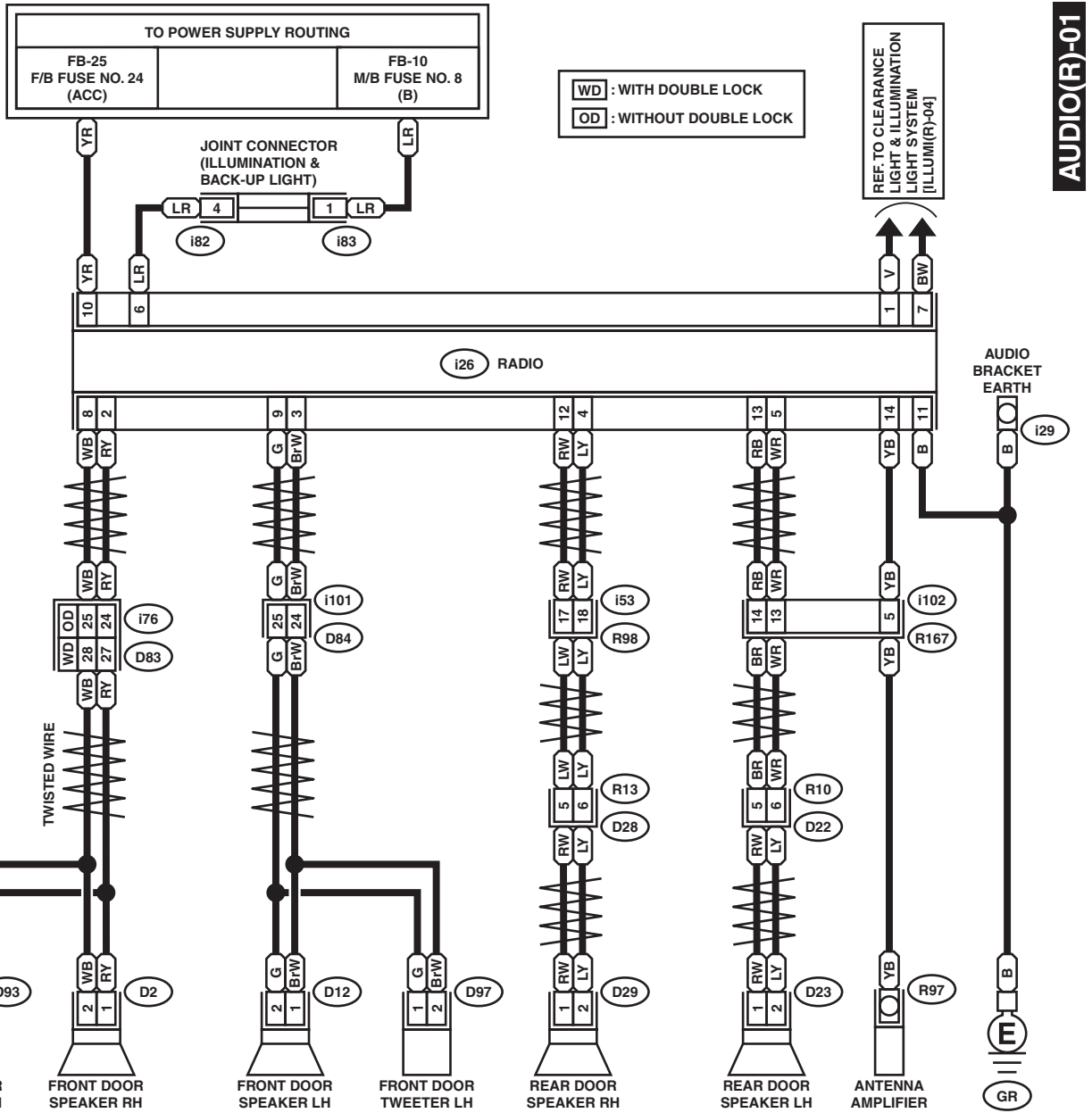
Audio System

WIRING SYSTEM

3. RHD MODEL

AUDIO(R)-01

AUDIO(R)-01



WI-03989

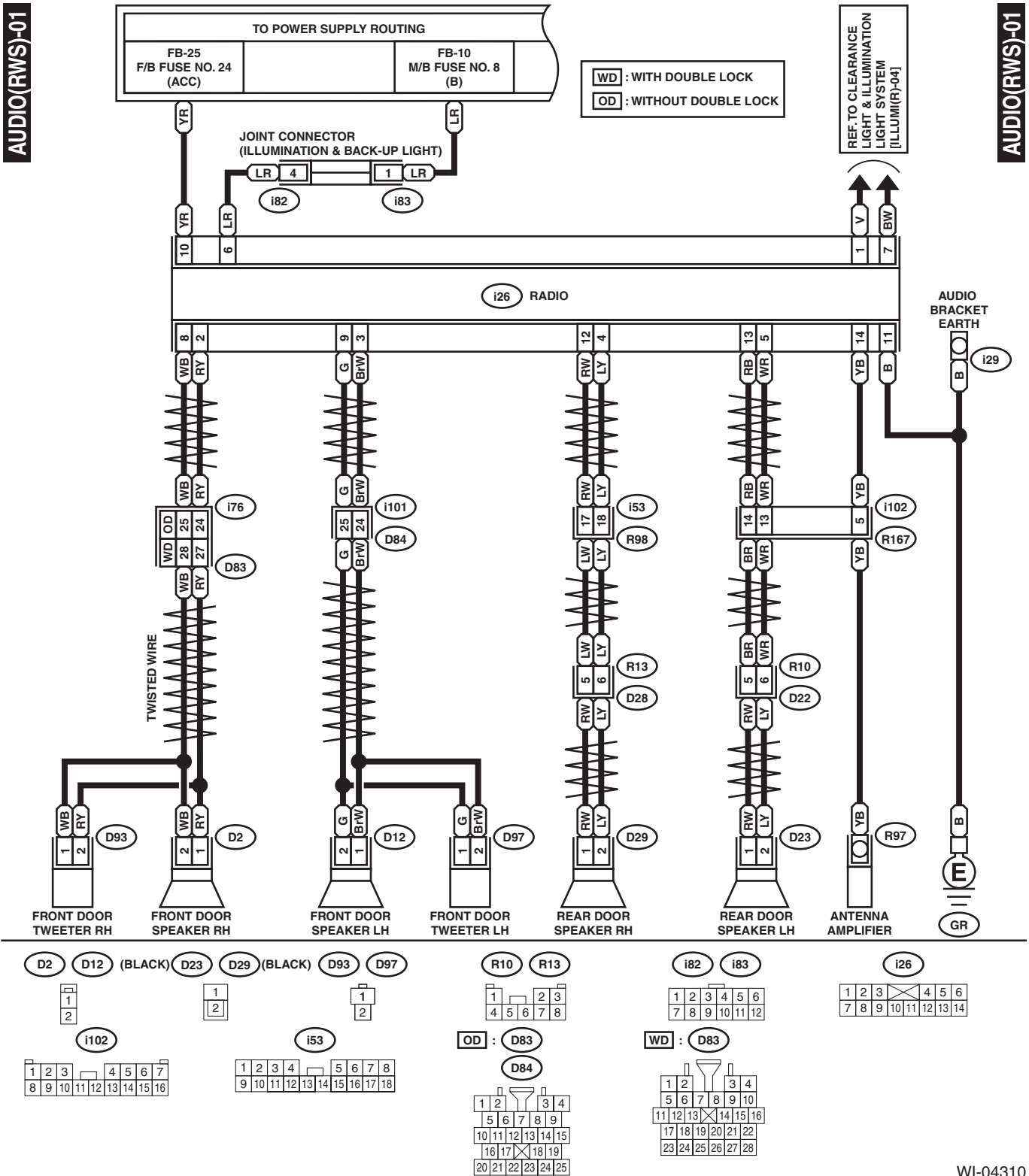
Audio System

WIRING SYSTEM

4. RHD MODEL WITH SATELLITE SWITCH

AUDIO(RWS)-01

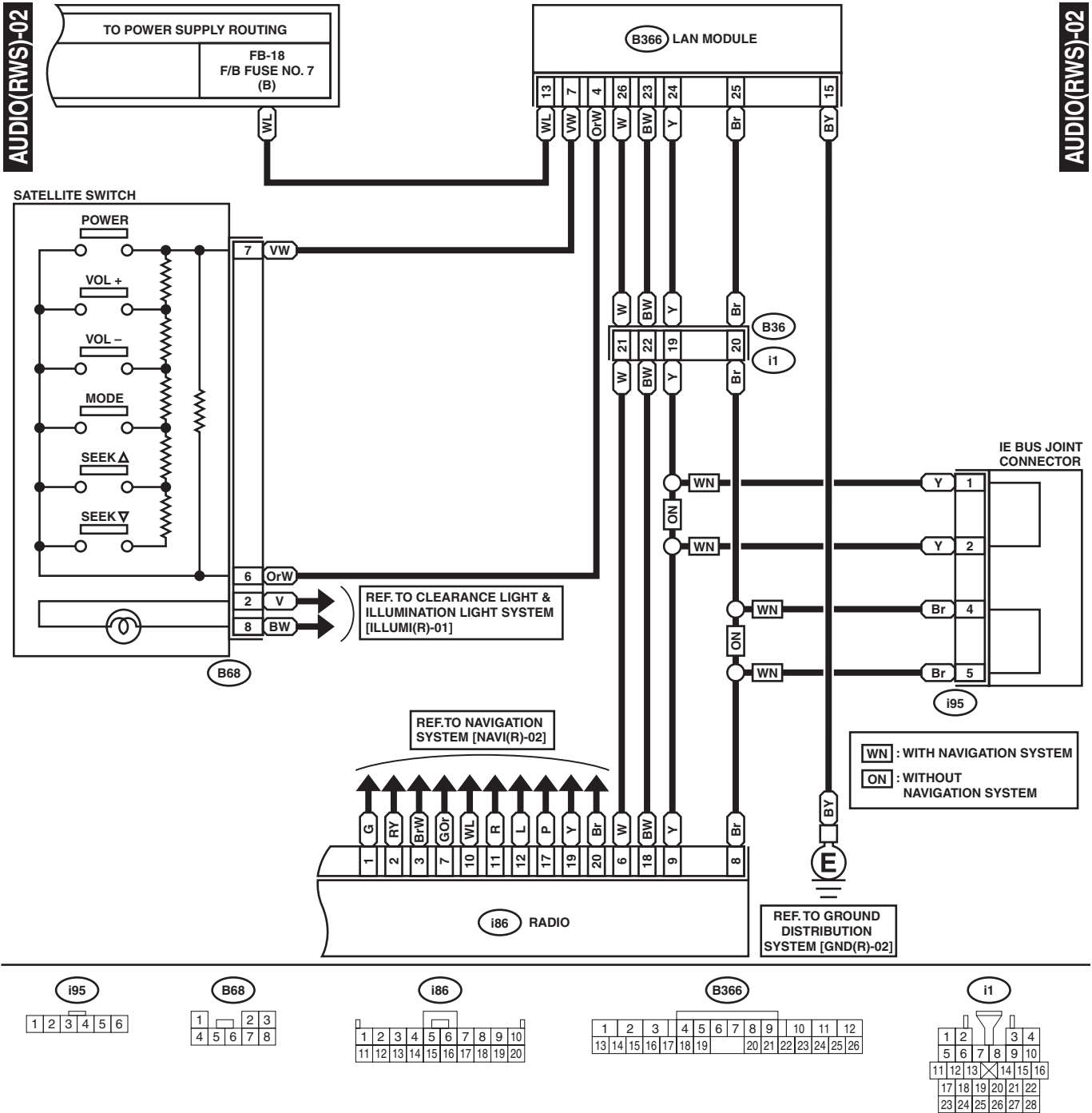
AUDIO(RWS)-01



WI-04310

Audio System

WIRING SYSTEM



WI-04311

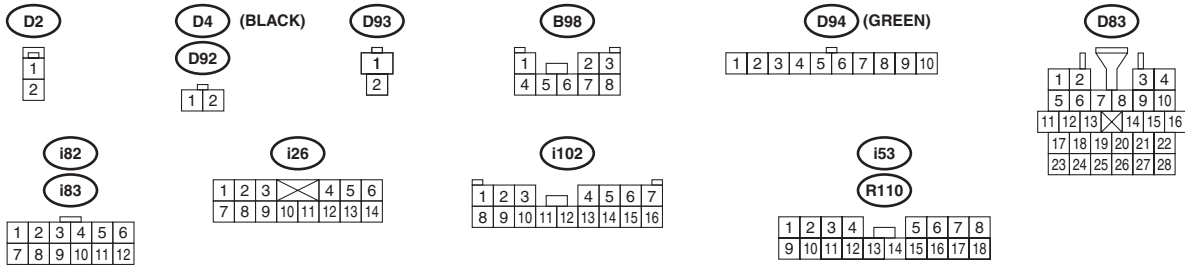
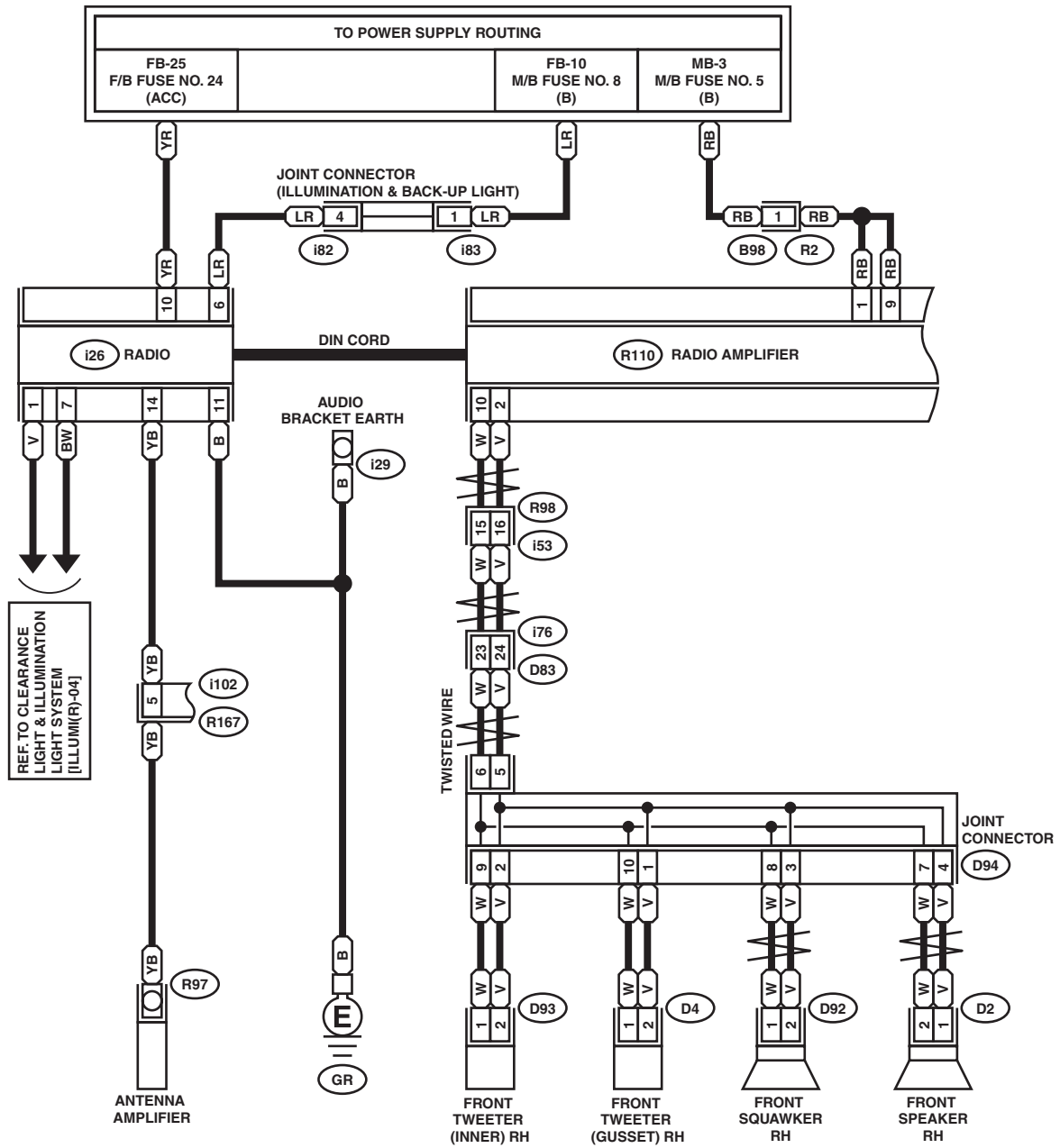
Audio System

WIRING SYSTEM

5. RHD MODEL WITH MCINTOSH

AUDIO(RM)-01

AUDIO(RM)-01



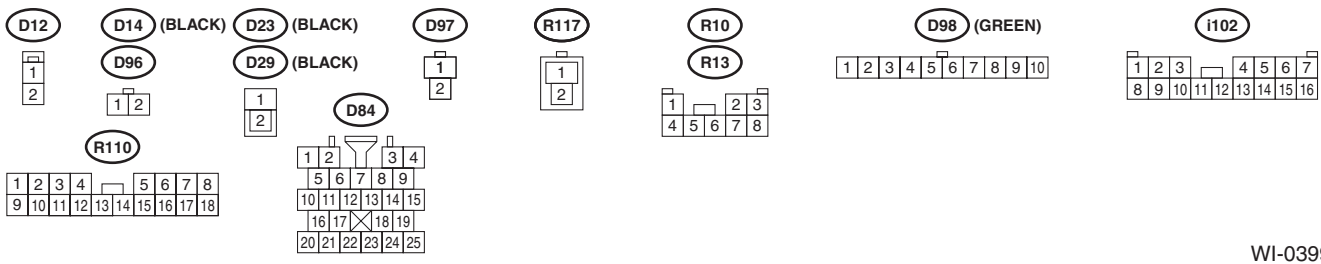
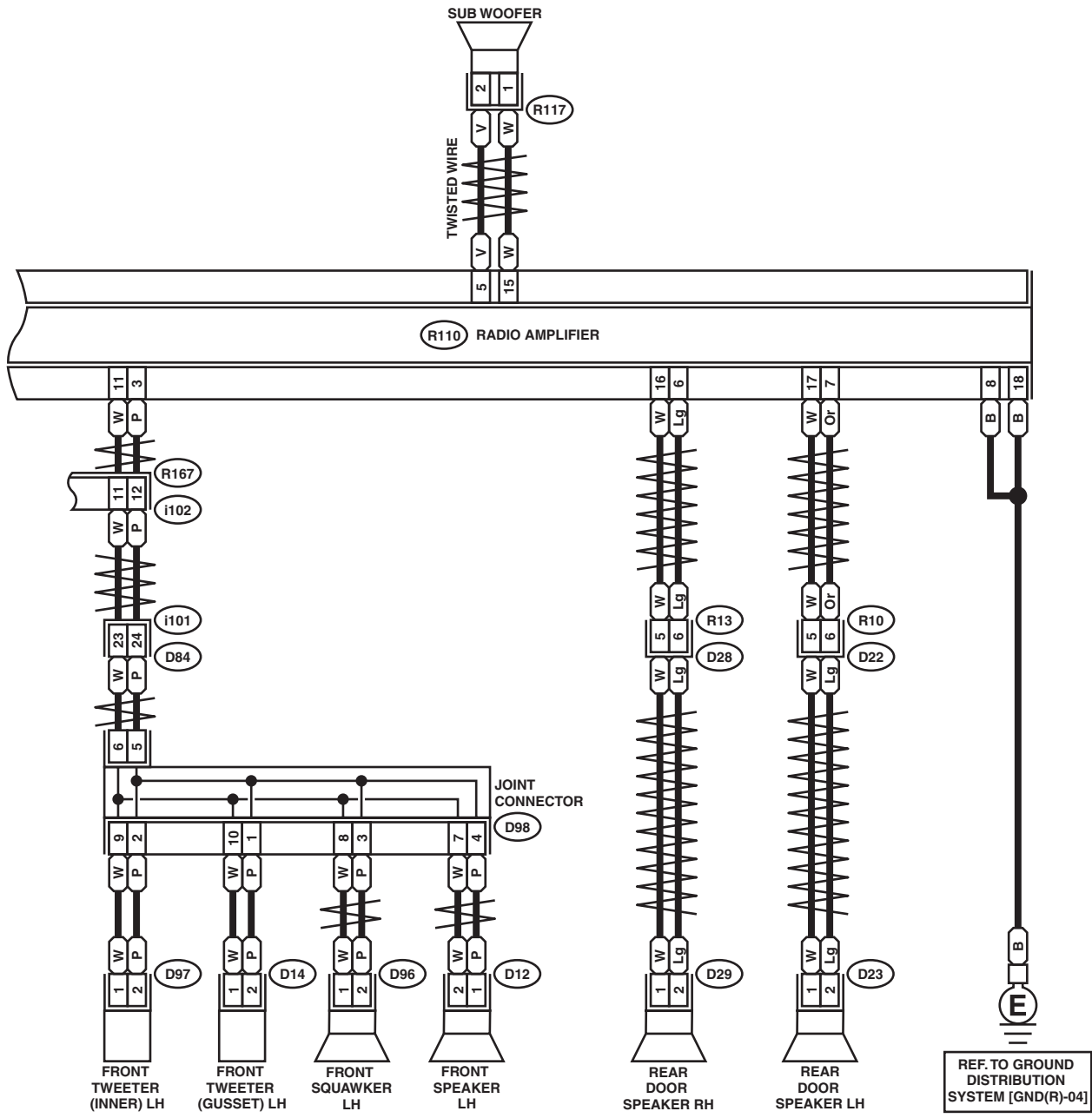
WI-03990

Audio System

WIRING SYSTEM

AUDIO(RM)-02

AUDIO(RM)-02



WI-03991

CAN Communication System

WIRING SYSTEM

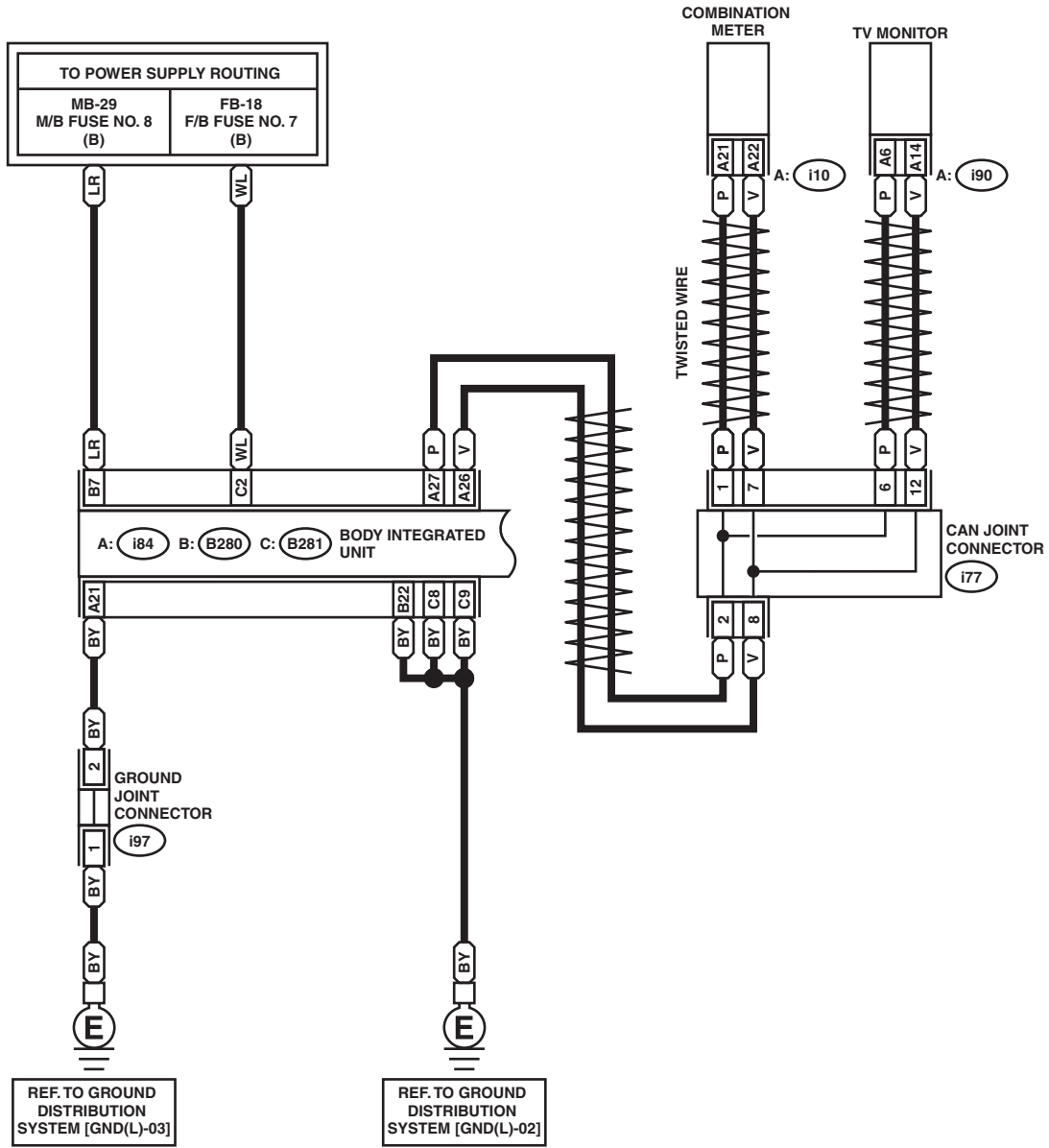
10. CAN Communication System

A: WIRING DIAGRAM

1. LHD MODEL

CAN(L)-01

CAN(L)-01



i77

i97

A: i90

A: i10

1	2	3	4	5	6	7	8	9	10	11	12
---	---	---	---	---	---	---	---	---	----	----	----

1	2	3	4	5	6
7	8	9	10	11	12

1	2	3	4	5	6	7	8
9	10	11	12	13	14	15	16

1	2	3	4	5	6	7	8	9	10		
11	12	13	14	15	16	17	18	19	20	21	22

C: B281

B: B280

A: i84

1	2	3	4	5	6	7					
8	9	10	11	12	13	14	15	16	17	18	19
20	21	22	23	24	25	26	27	28			

1	2	3	4	5	6	7						
8	9	10	11	12	13	14	15	16	17	18	19	20
21	22	23	24	25	26	27	28	29	30			

1	2	3	4	5	6	7	8							
9	10	11	12	13	14	15	16	17	18	19	20	21	22	23
24	25	26	27	28	29	30	31	32	33	34	35			

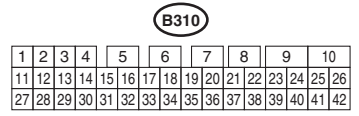
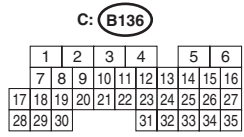
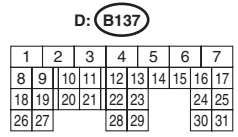
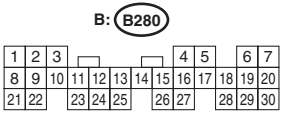
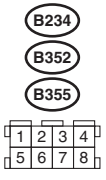
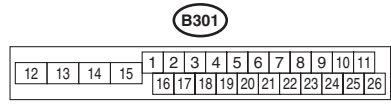
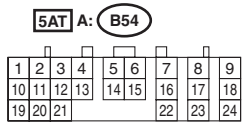
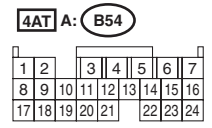
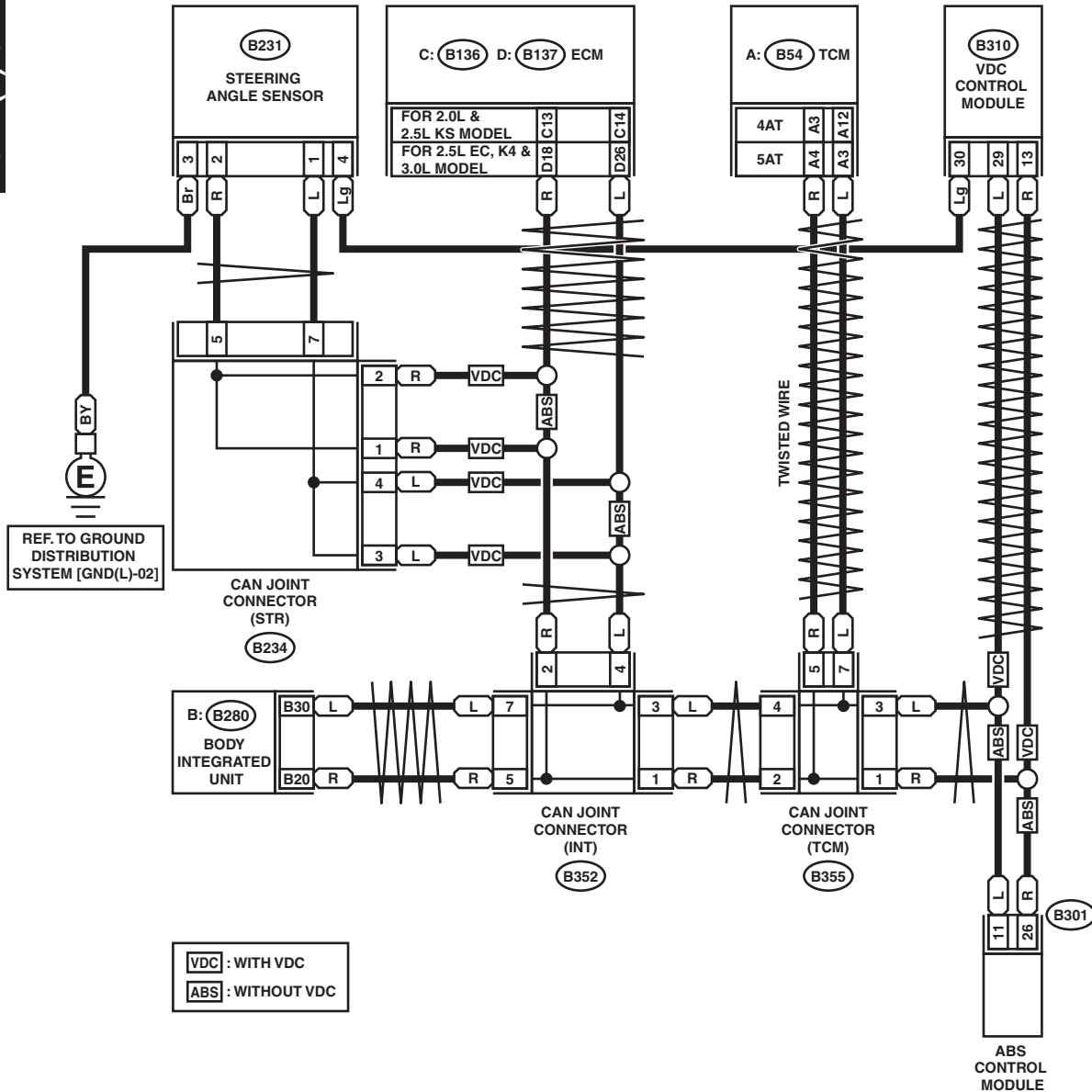
WI-03992

CAN Communication System

WIRING SYSTEM

CAN(L)-02

CAN(L)-02



WI-03993

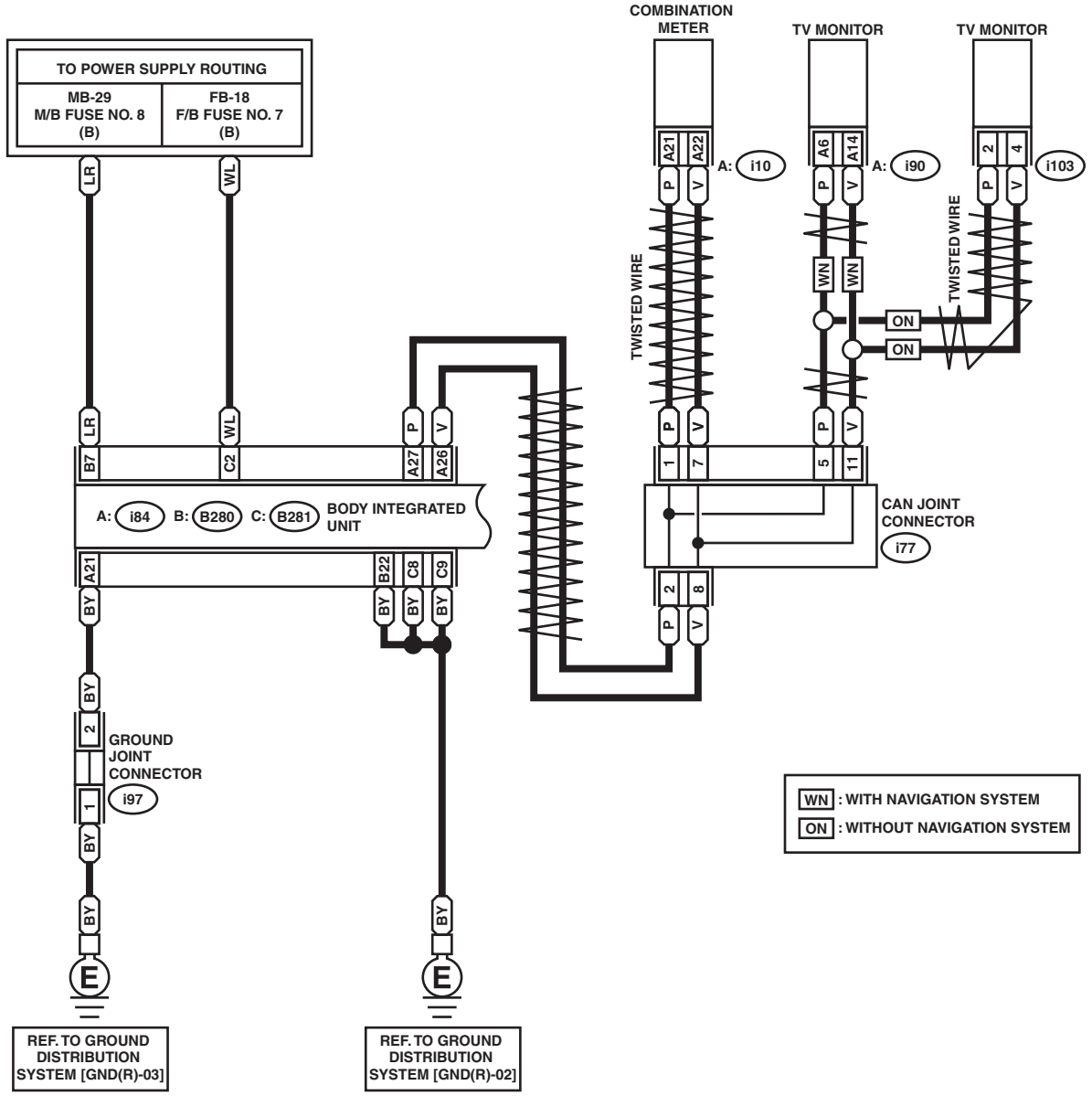
CAN Communication System

WIRING SYSTEM

2. RHD MODEL

CAN(R)-01

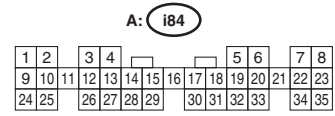
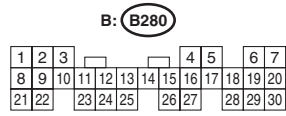
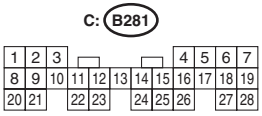
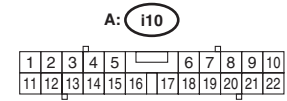
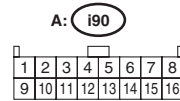
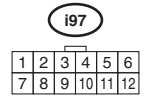
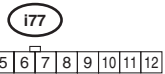
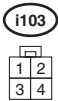
CAN(R)-01



REF. TO GROUND DISTRIBUTION SYSTEM [GND(R)-03]

REF. TO GROUND DISTRIBUTION SYSTEM [GND(R)-02]

WN : WITH NAVIGATION SYSTEM
ON : WITHOUT NAVIGATION SYSTEM

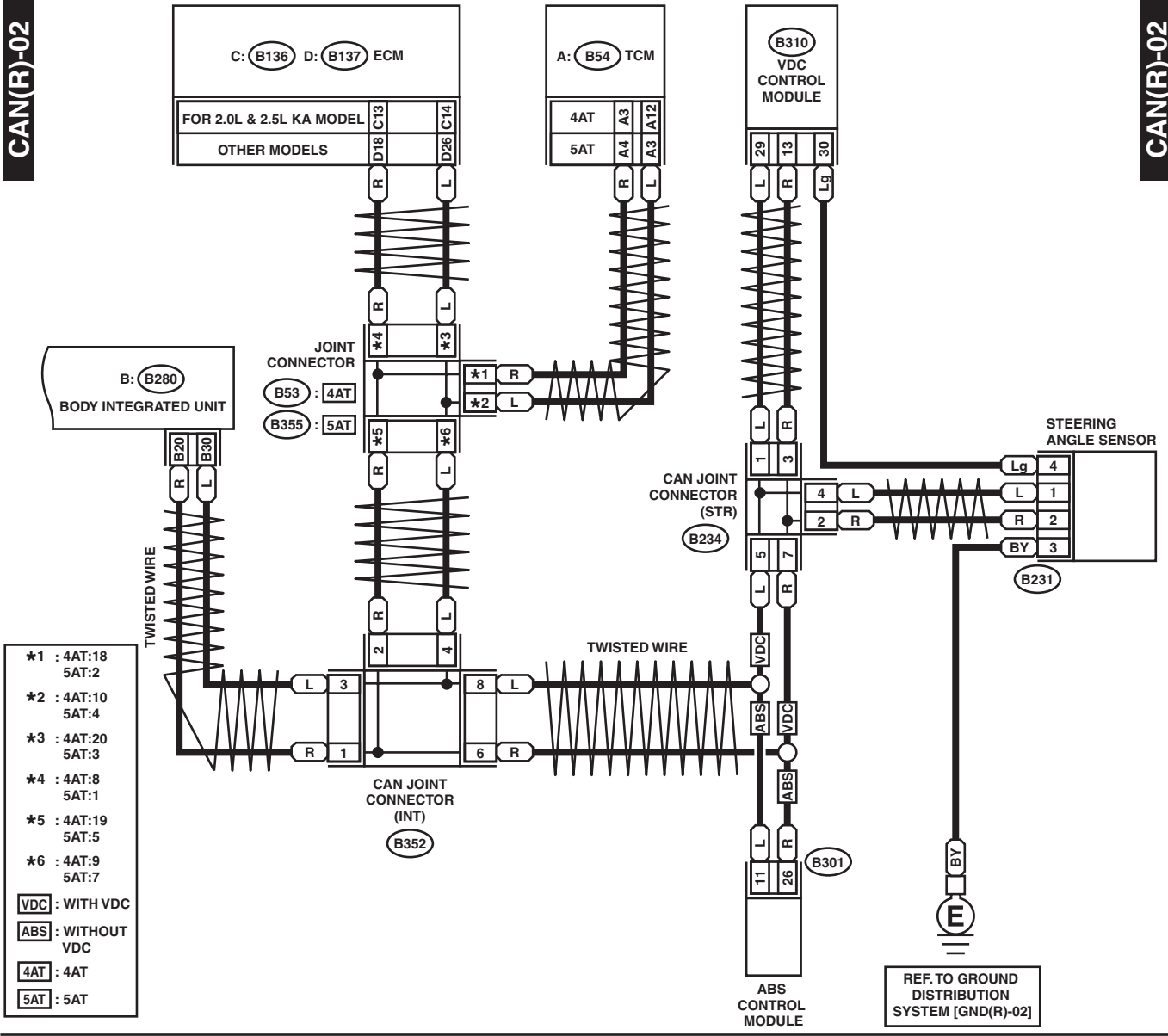


CAN Communication System

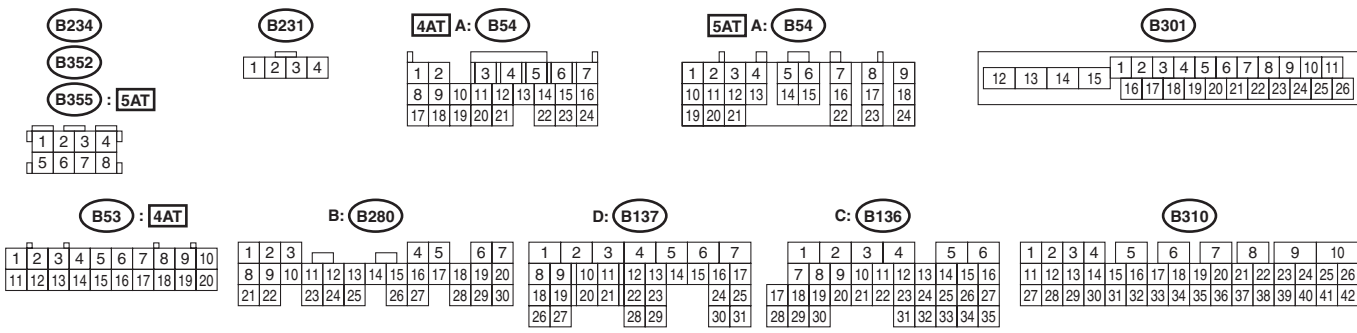
WIRING SYSTEM

CAN(R)-02

CAN(R)-02



- *1 : 4AT:18
5AT:2
- *2 : 4AT:10
5AT:4
- *3 : 4AT:20
5AT:3
- *4 : 4AT:8
5AT:1
- *5 : 4AT:19
5AT:5
- *6 : 4AT:9
5AT:7
- [VDC] : WITH VDC
- [ABS] : WITHOUT VDC
- [4AT] : 4AT
- [5AT] : 5AT



WI-03995

Charging System

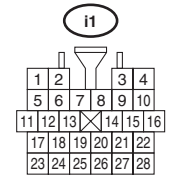
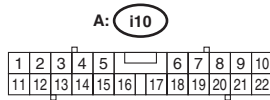
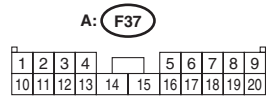
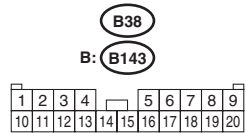
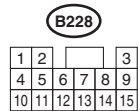
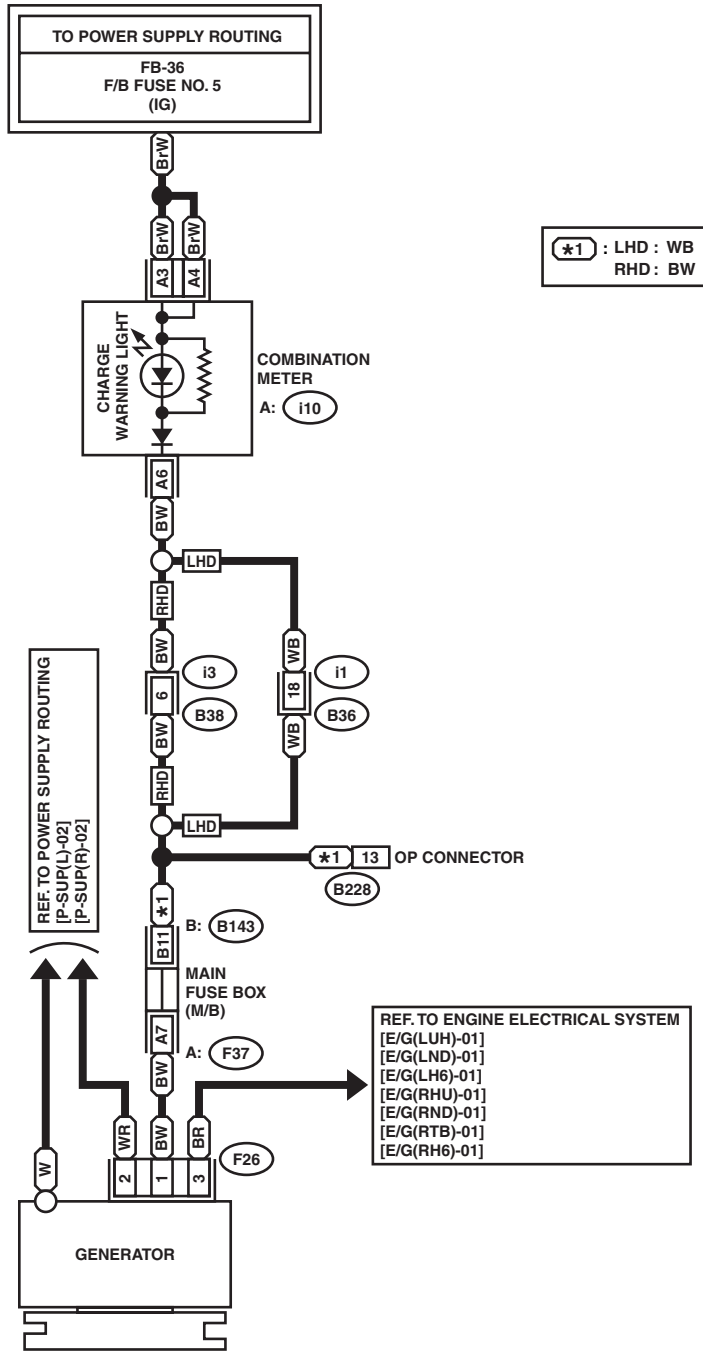
WIRING SYSTEM

11. Charging System

A: WIRING DIAGRAM

CHG-01

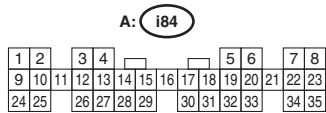
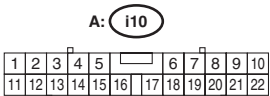
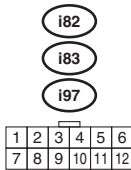
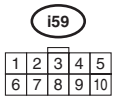
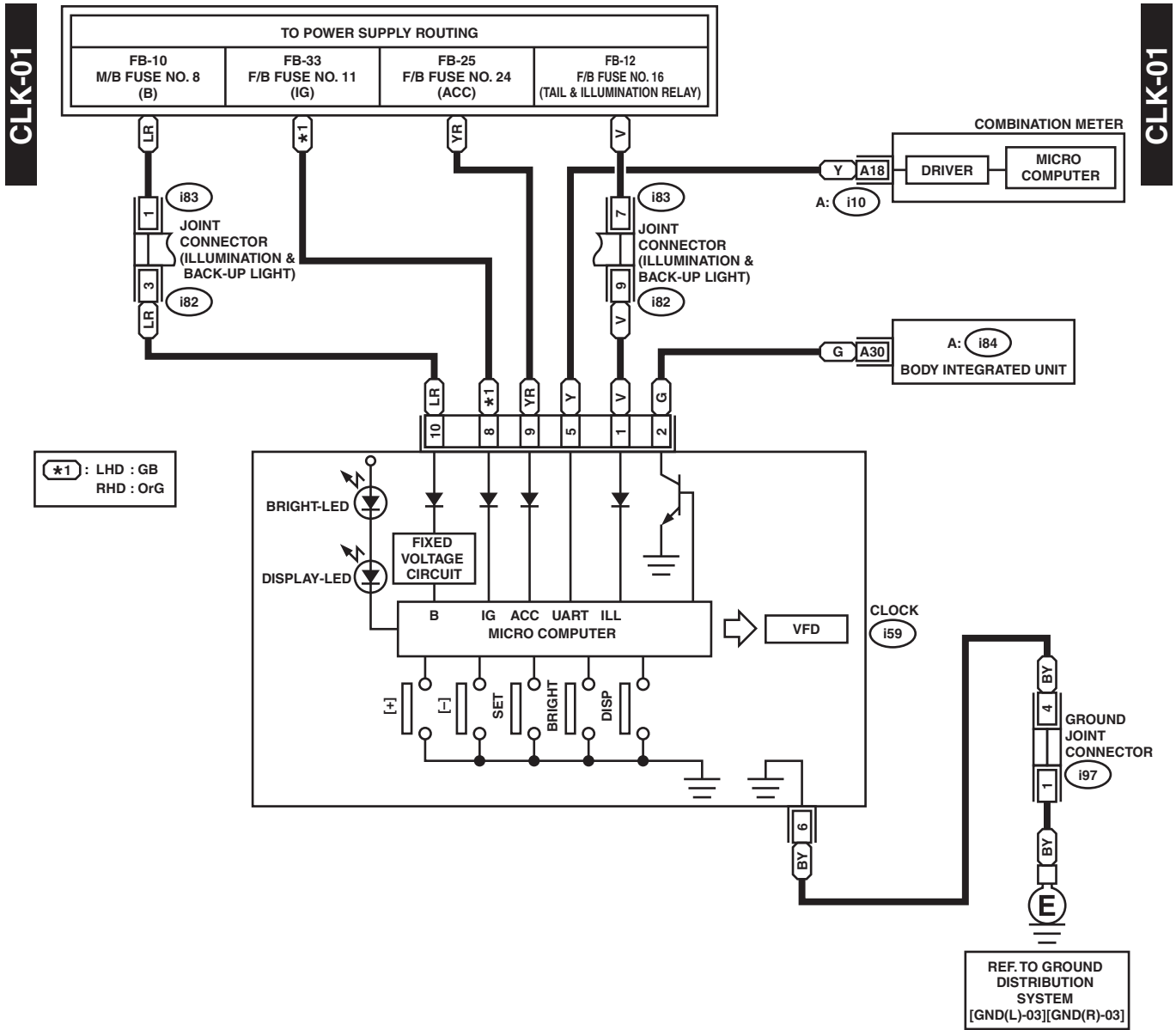
CHG-01



WI-03996

12.Clock System

A: WIRING DIAGRAM

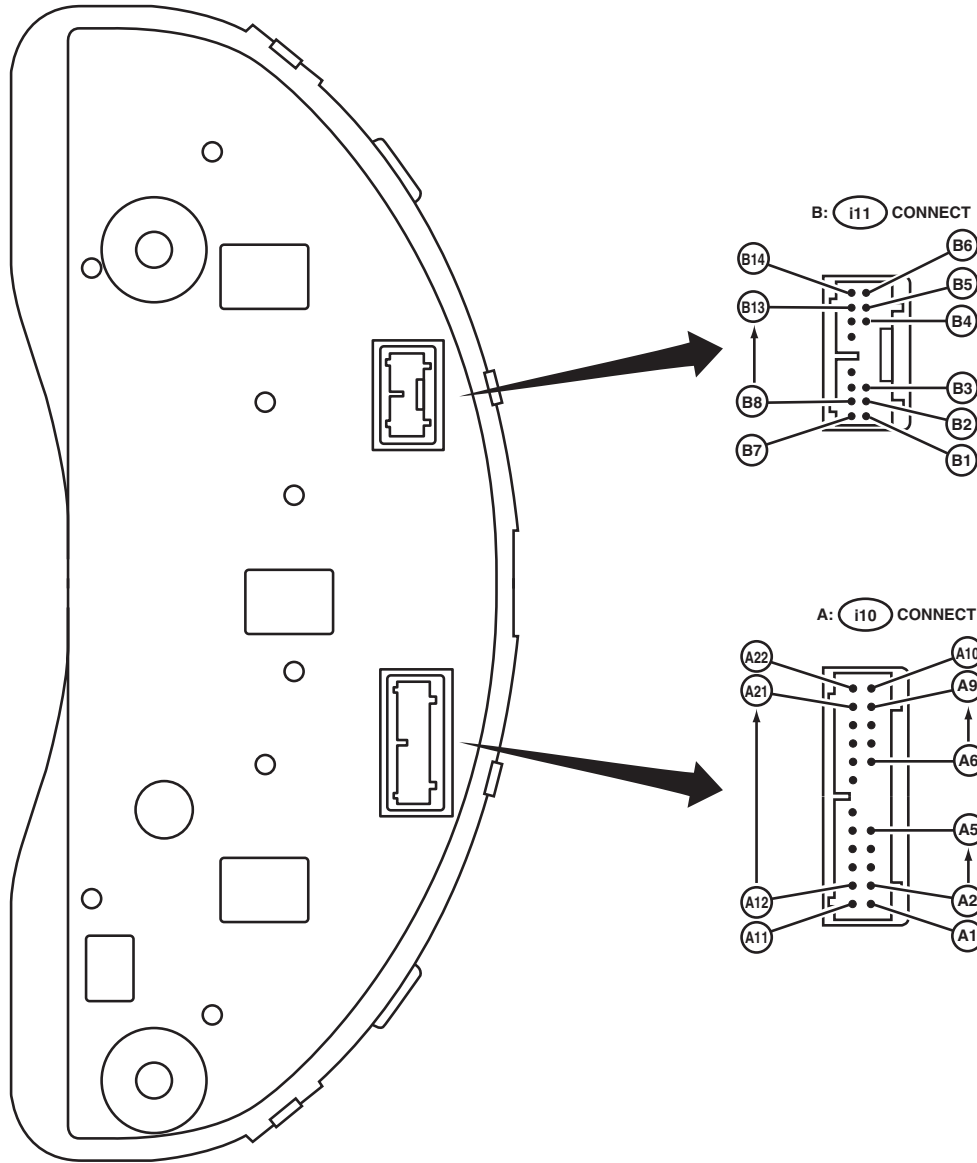


13. Combination Meter

A: WIRING DIAGRAM

METER-01

METER-01

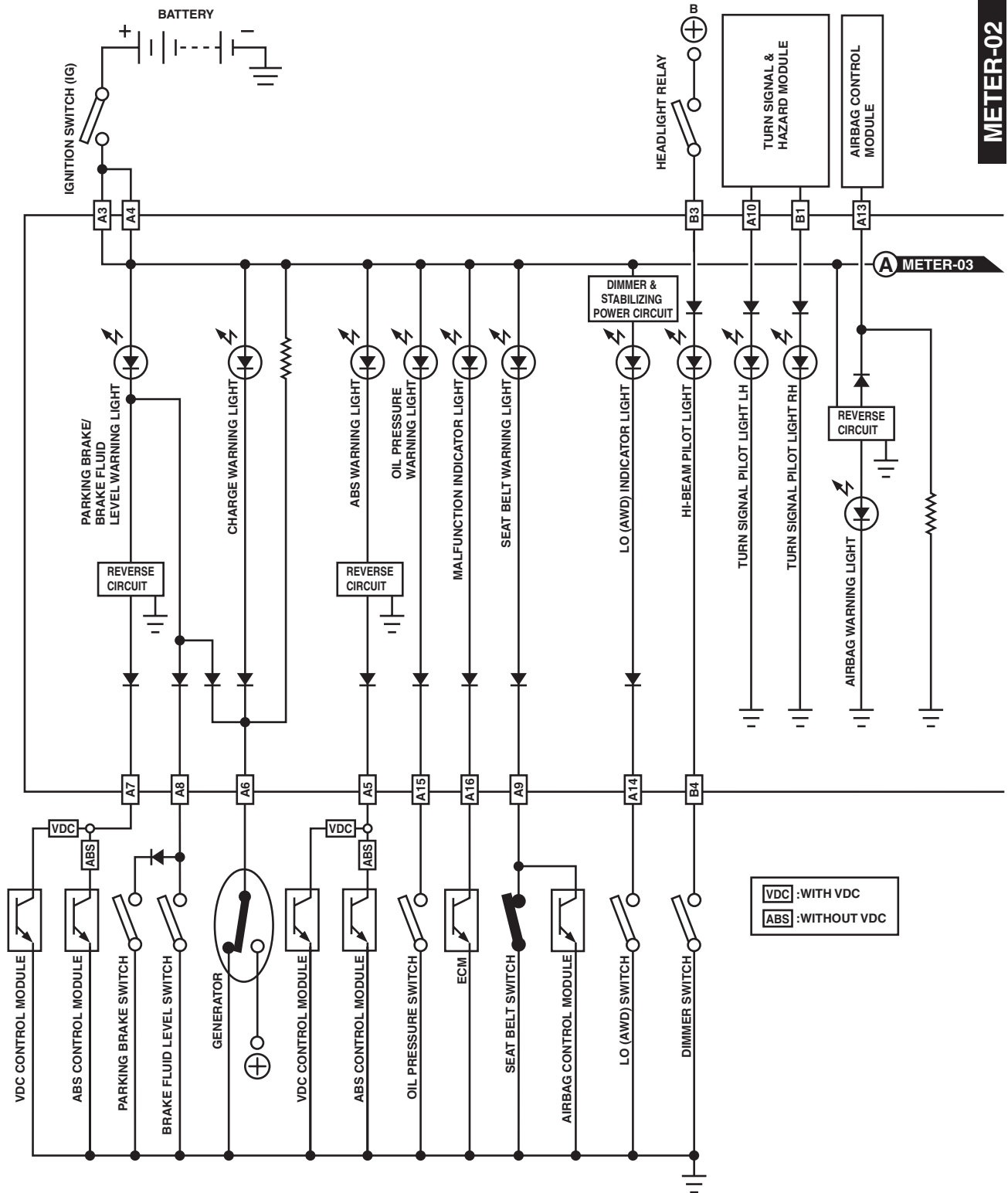


Combination Meter

WIRING SYSTEM

METER-02

METER-02

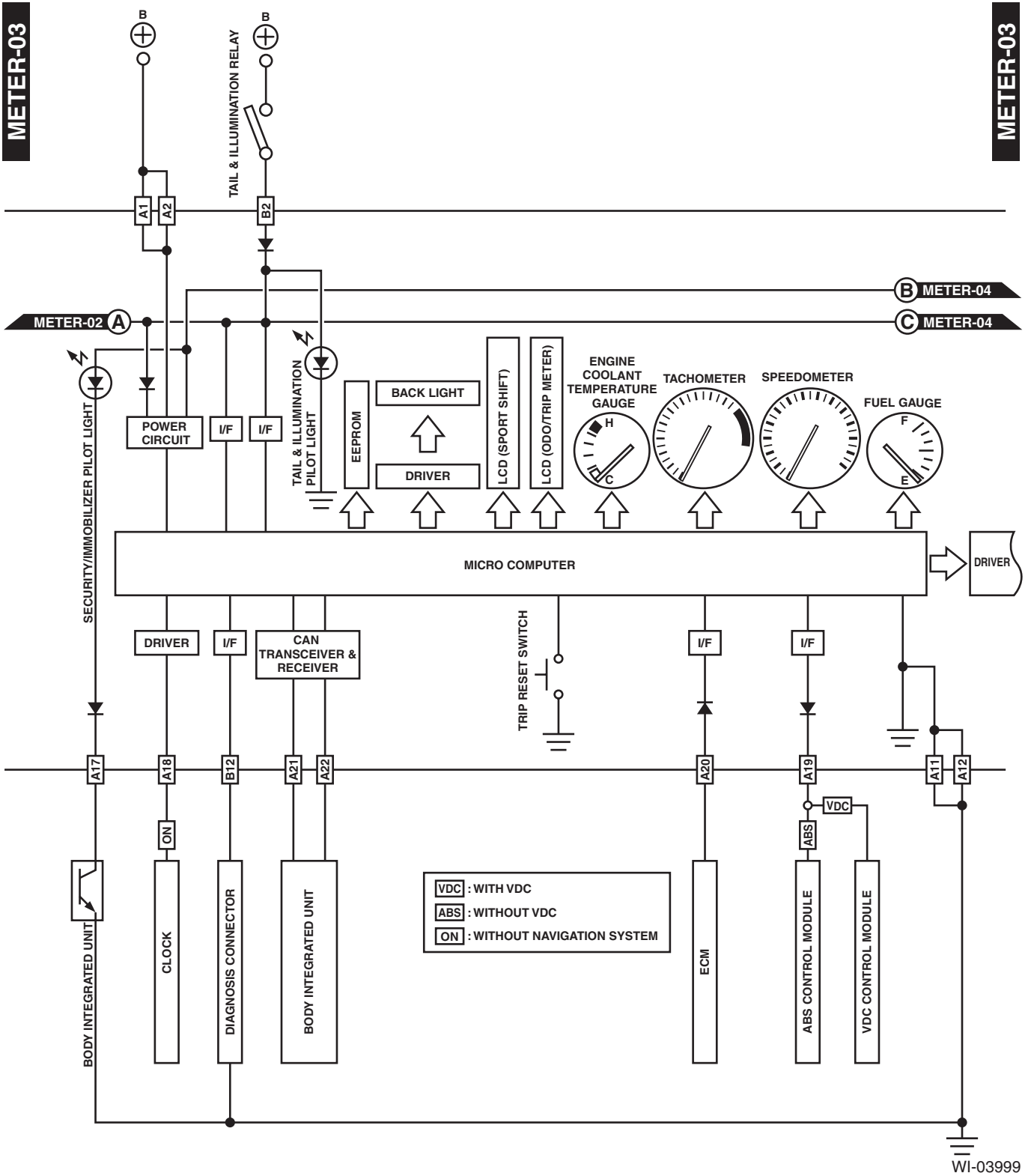


METER-03

WI-03998

Combination Meter

WIRING SYSTEM

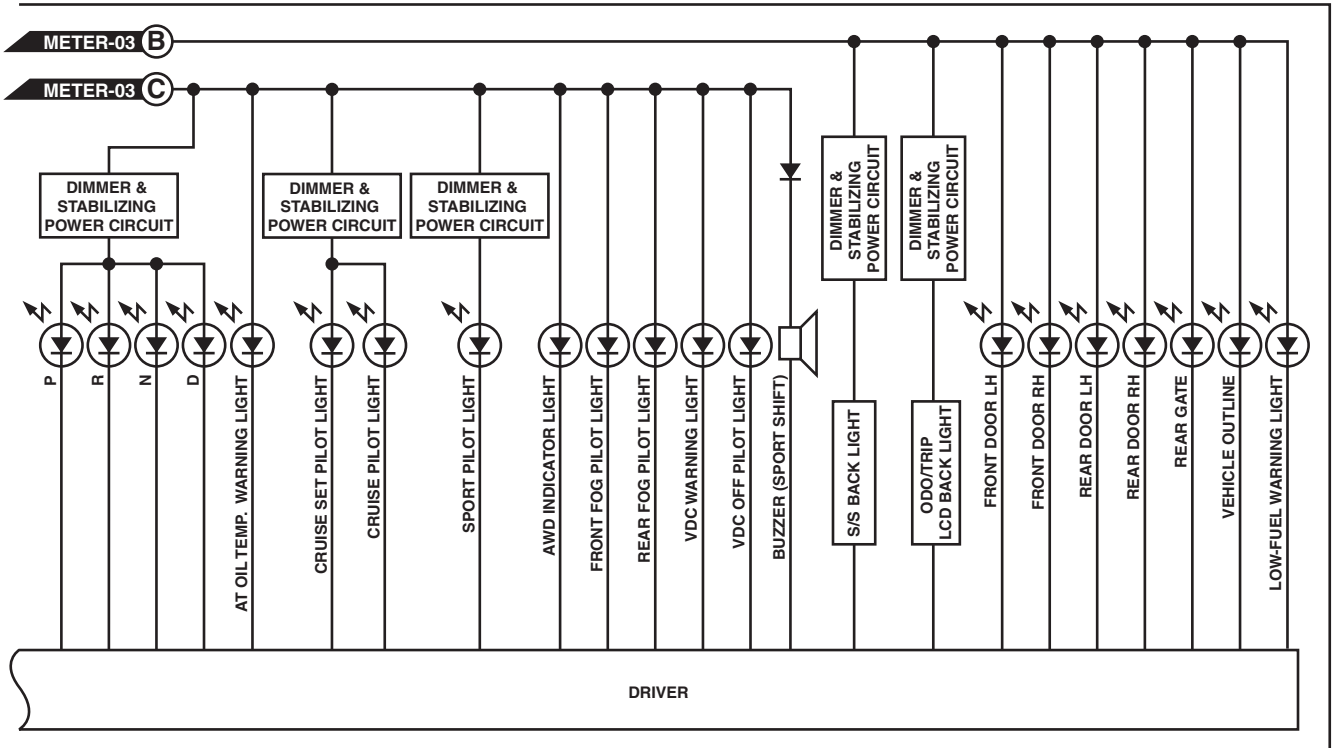


Combination Meter

WIRING SYSTEM

METER-04

METER-04



WI-04000

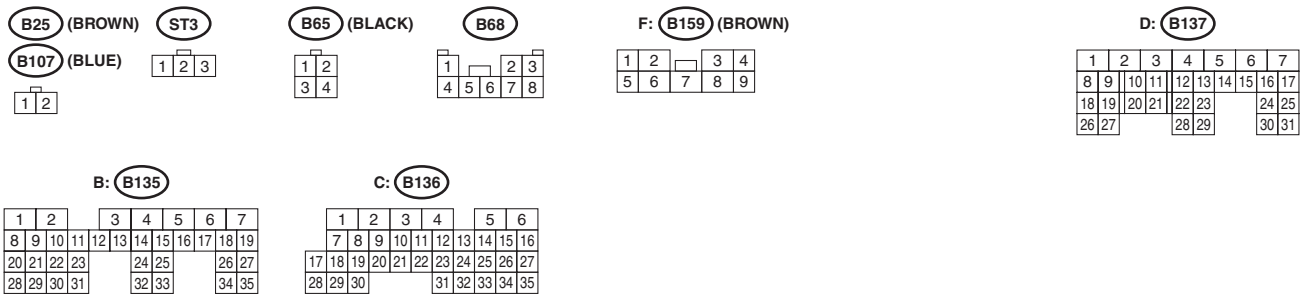
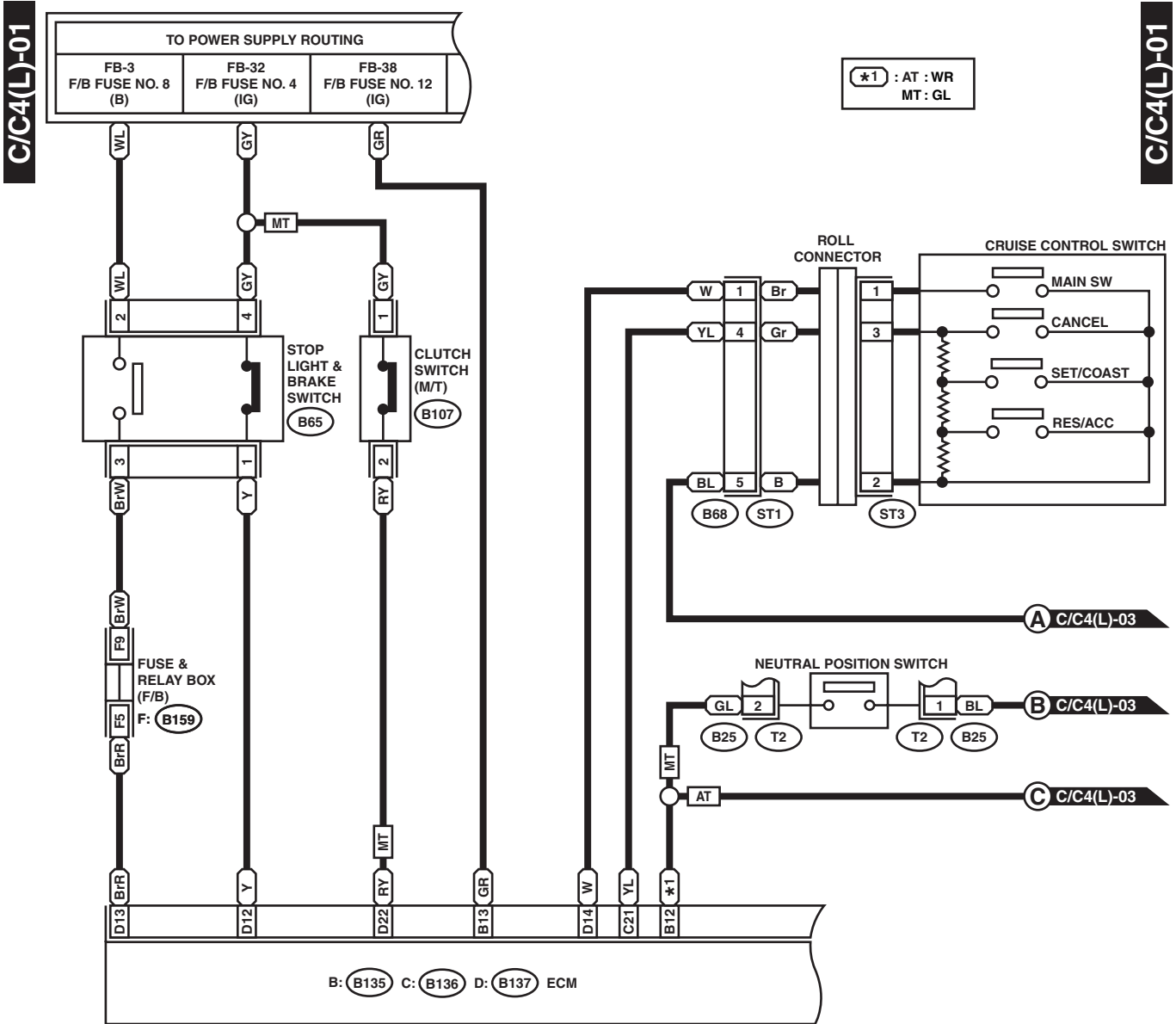
Cruise Control System

WIRING SYSTEM

14. Cruise Control System

A: WIRING DIAGRAM

1. LHD 2.0 L MODEL AND 2.5 L KS MODEL



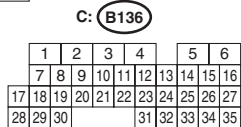
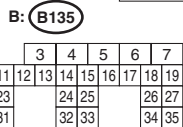
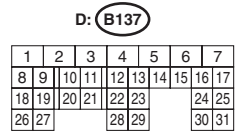
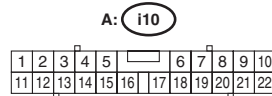
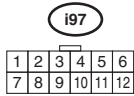
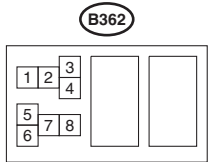
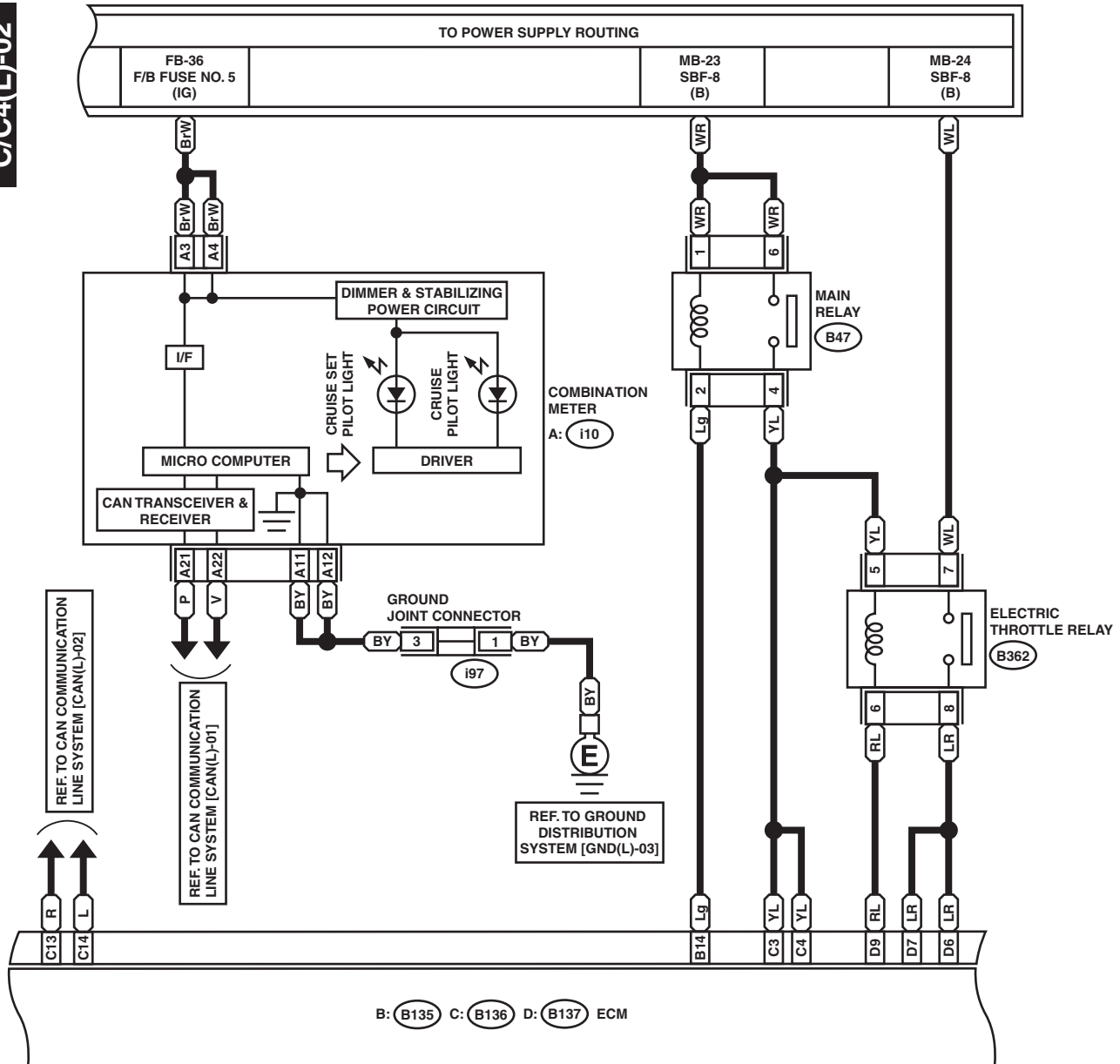
WI-04001

Cruise Control System

WIRING SYSTEM

C/C4(L)-02

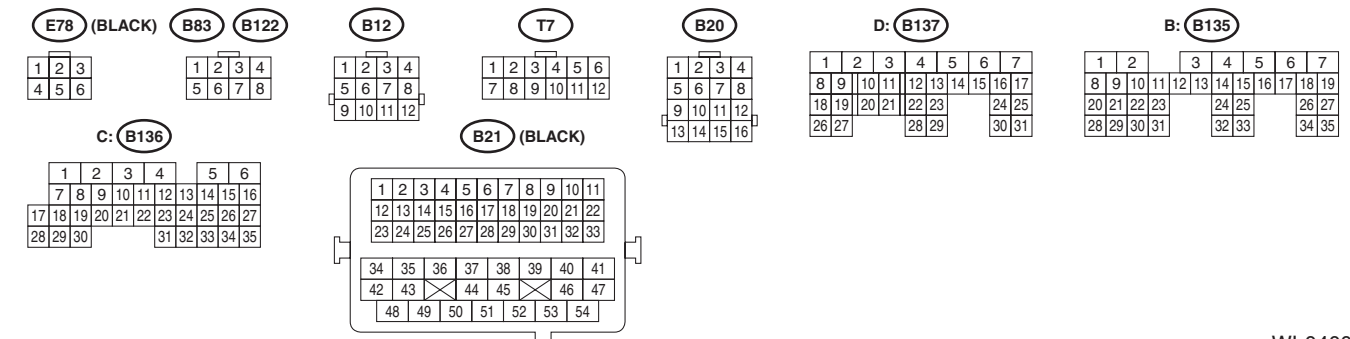
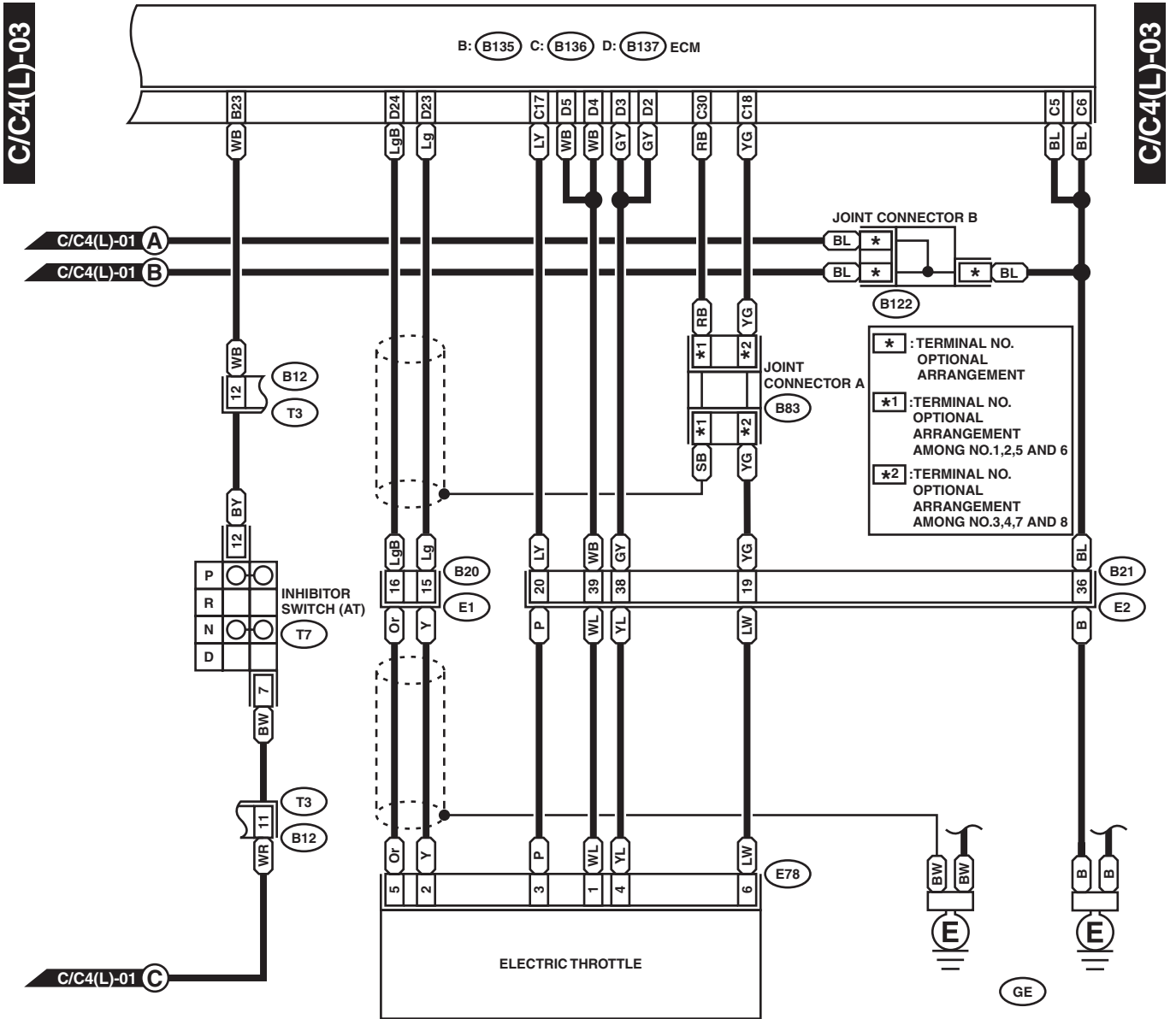
C/C4(L)-02



WI-04002

Cruise Control System

WIRING SYSTEM

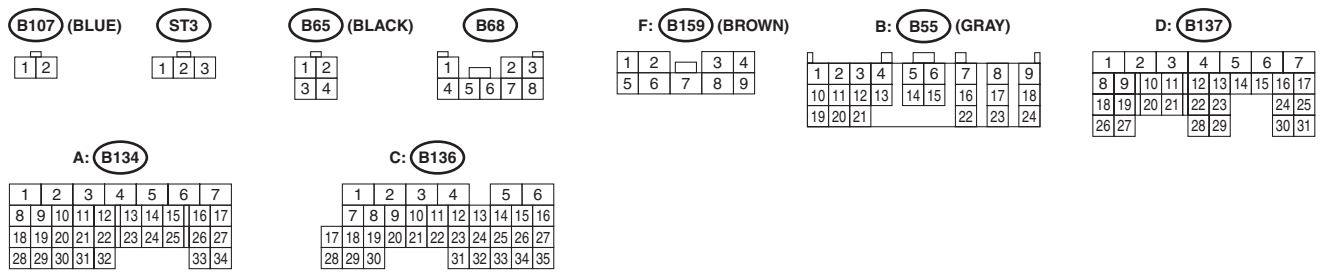
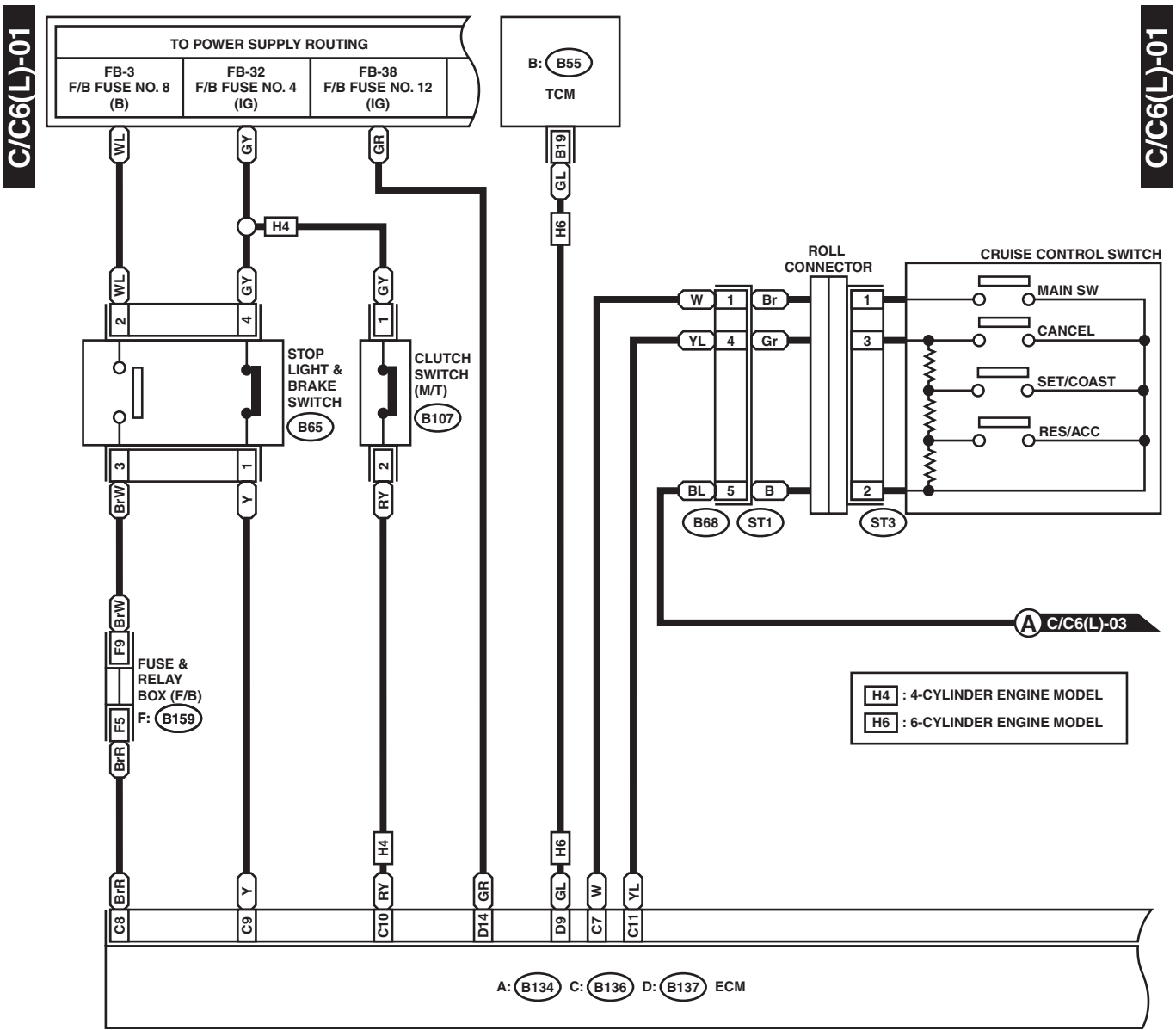


WI-04003

Cruise Control System

WIRING SYSTEM

2. LHD 2.5 L EC, K4 MODEL AND 3.0 L MODEL



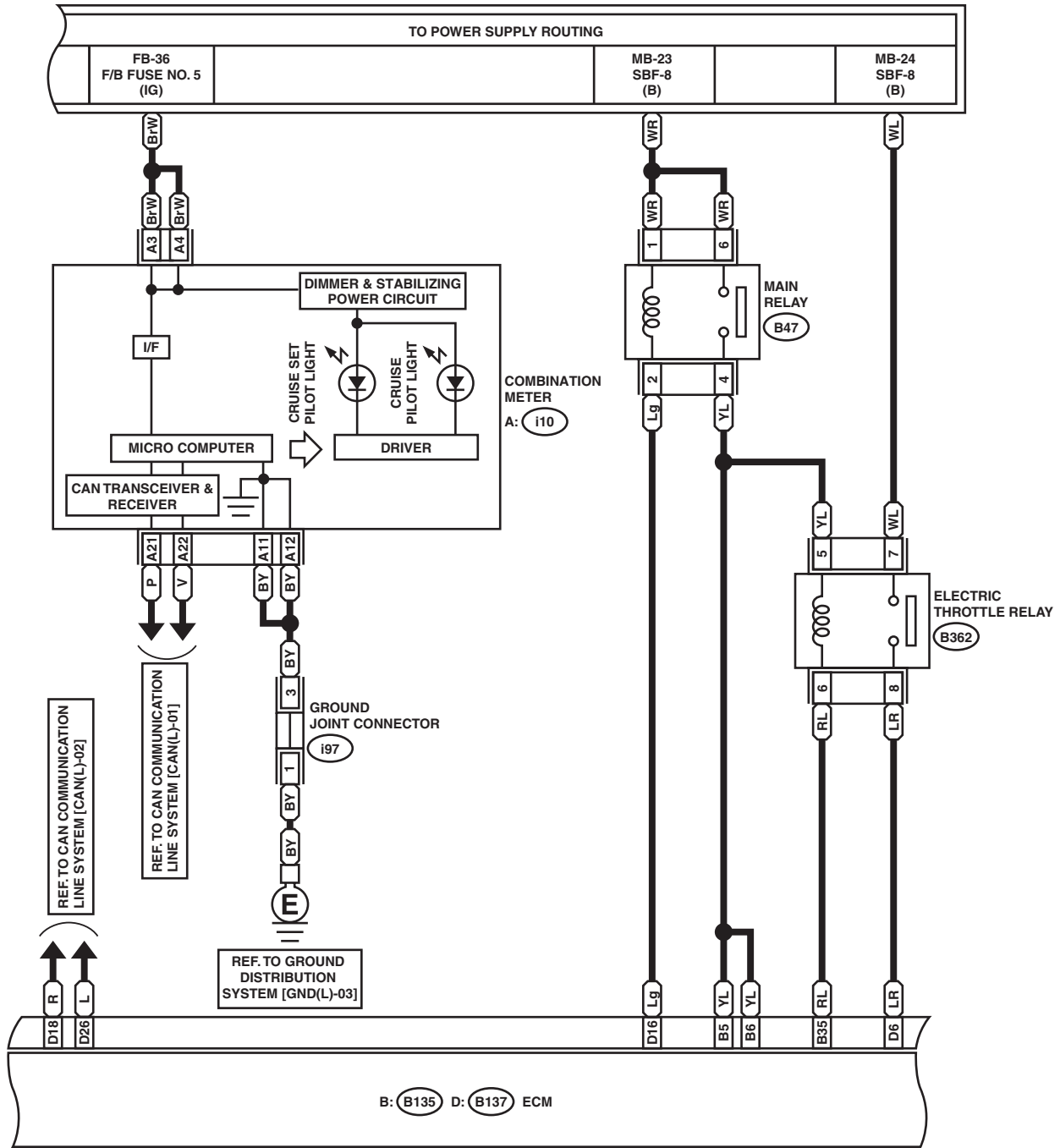
WI-04004

Cruise Control System

WIRING SYSTEM

C/C6(L)-02

C/C6(L)-02



B47

1	2
3	4
5	6

B362

1	2	3
4		
5	7	8
6		

i97

1	2	3	4	5	6
7	8	9	10	11	12

A: i10

1	2	3	4	5	6	7	8	9	10		
11	12	13	14	15	16	17	18	19	20	21	22

D: B137

1	2	3	4	5	6	7			
8	9	10	11	12	13	14	15	16	17
18	19	20	21	22	23	24	25	26	27
28	29	30	31						

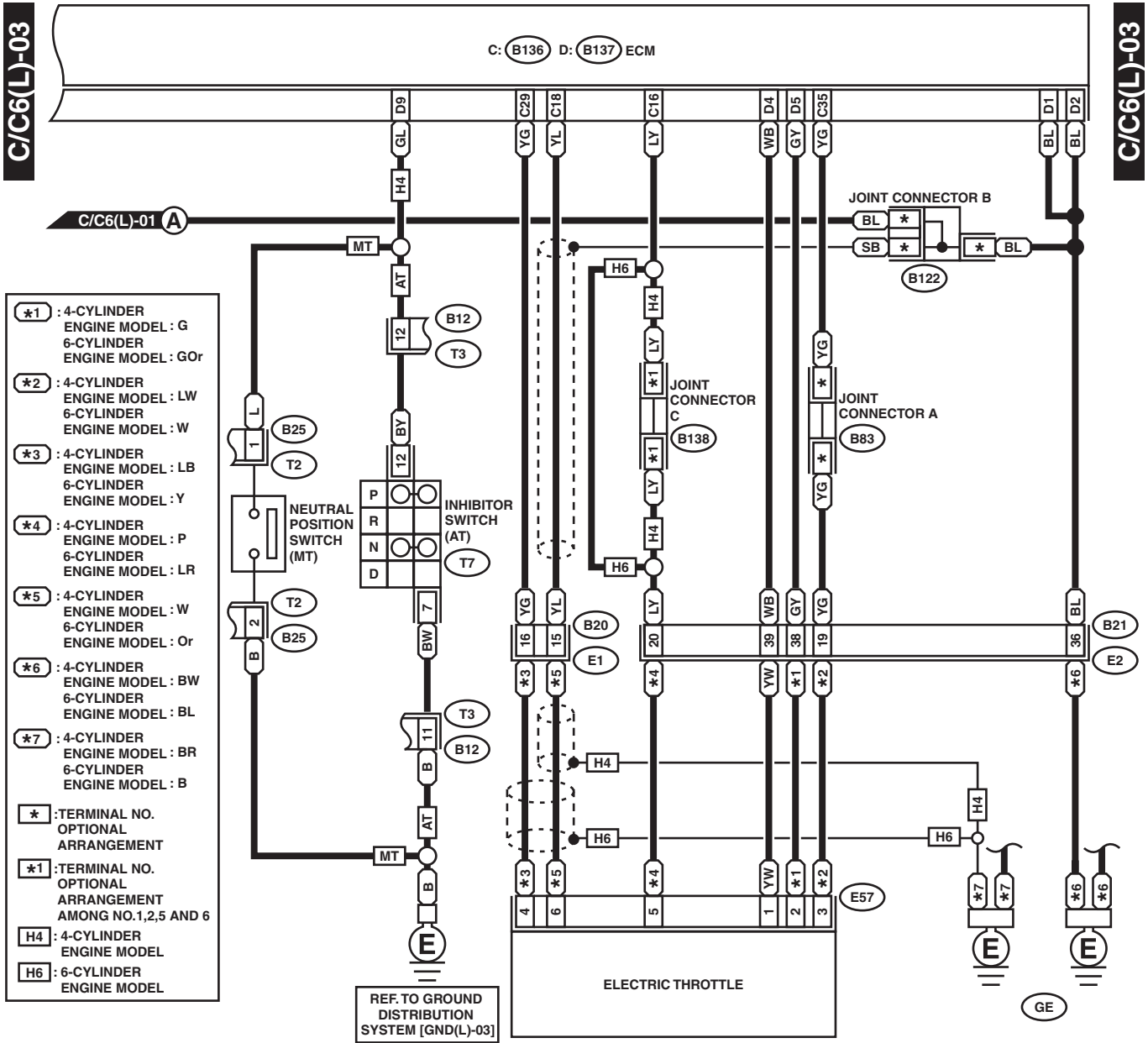
B: B135

1	2	3	4	5	6	7					
8	9	10	11	12	13	14	15	16	17	18	19
20	21	22	23	24	25	26	27	28	29	30	31
32	33	34	35								

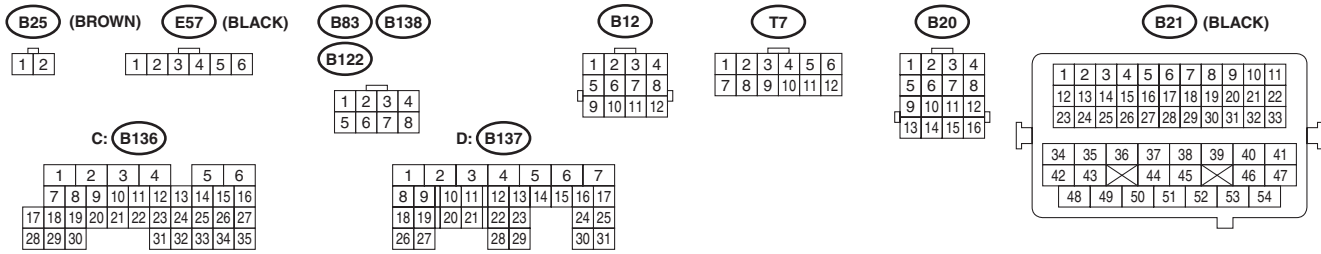
WI-04005

Cruise Control System

WIRING SYSTEM



- *1 : 4-CYLINDER ENGINE MODEL : G
6-CYLINDER ENGINE MODEL : GO
- *2 : 4-CYLINDER ENGINE MODEL : LW
6-CYLINDER ENGINE MODEL : W
- *3 : 4-CYLINDER ENGINE MODEL : LB
6-CYLINDER ENGINE MODEL : Y
- *4 : 4-CYLINDER ENGINE MODEL : P
6-CYLINDER ENGINE MODEL : LR
- *5 : 4-CYLINDER ENGINE MODEL : W
6-CYLINDER ENGINE MODEL : Or
- *6 : 4-CYLINDER ENGINE MODEL : BW
6-CYLINDER ENGINE MODEL : BL
- *7 : 4-CYLINDER ENGINE MODEL : BR
6-CYLINDER ENGINE MODEL : B
- * : TERMINAL NO. OPTIONAL ARRANGEMENT
- *1 : TERMINAL NO. OPTIONAL ARRANGEMENT AMONG NO.1,2,5 AND 6
- H4 : 4-CYLINDER ENGINE MODEL
- H6 : 6-CYLINDER ENGINE MODEL

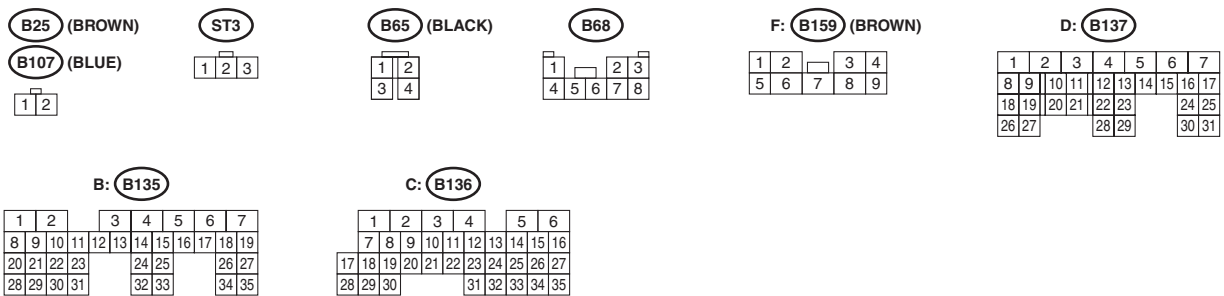
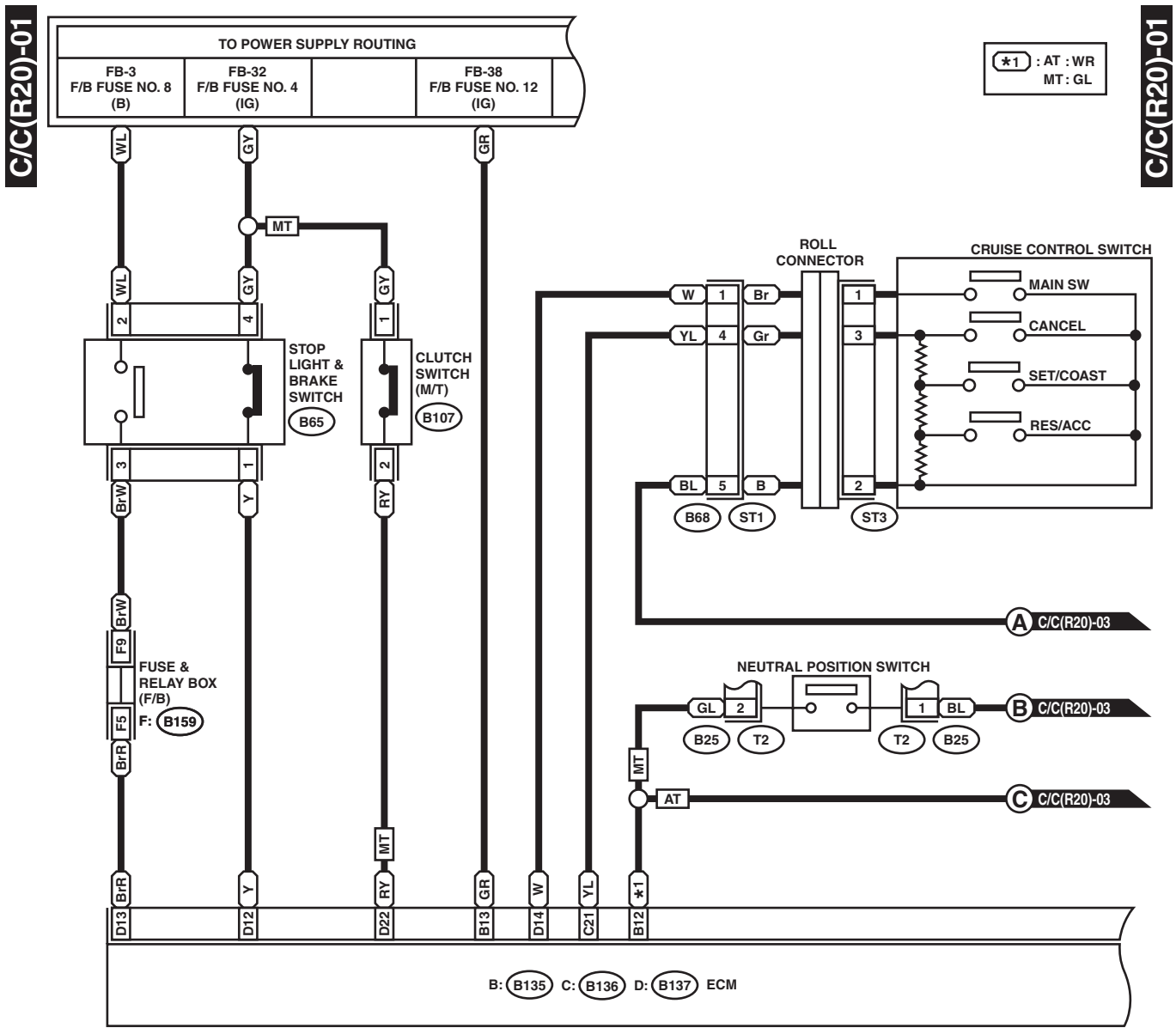


WI-04006

Cruise Control System

WIRING SYSTEM

3. RHD 2.0 L NON-TURBO MODEL AND 2.5 L KA MODEL



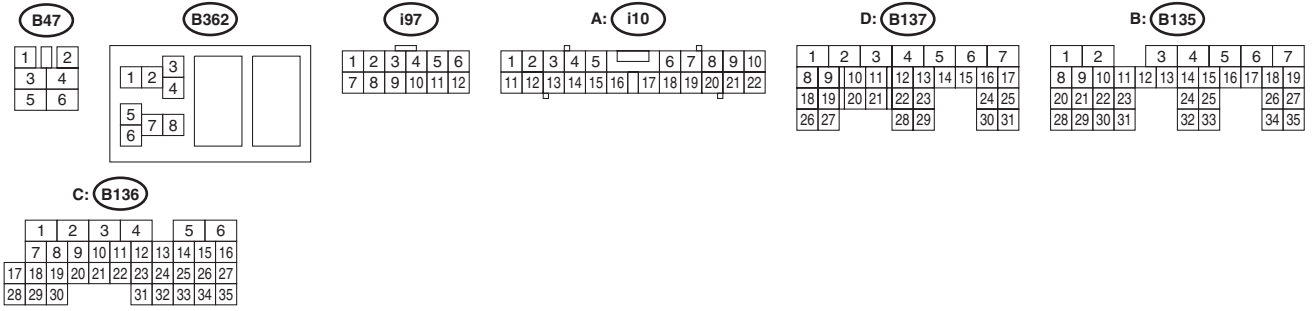
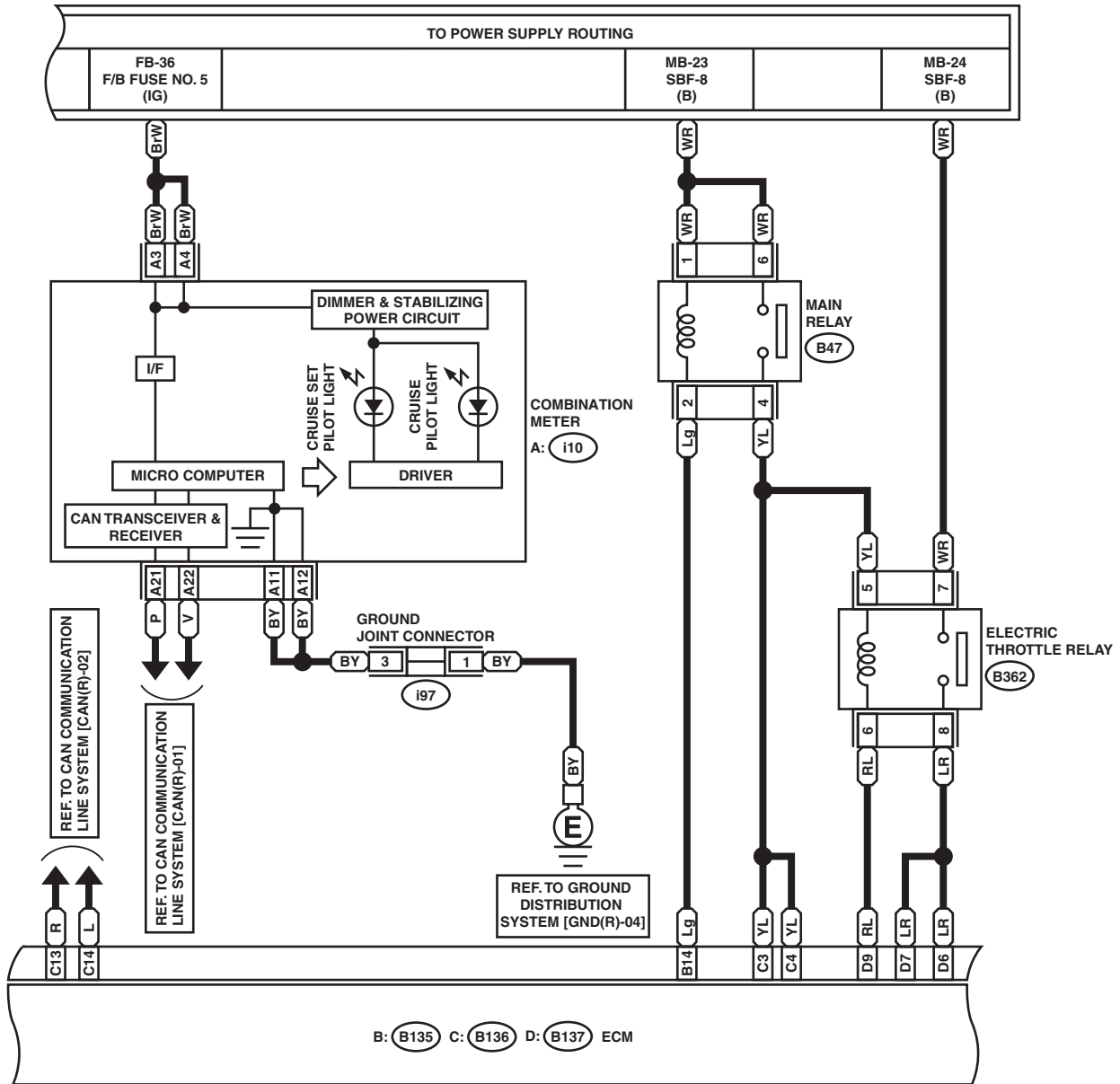
WI-04007

Cruise Control System

WIRING SYSTEM

C/C(R20)-02

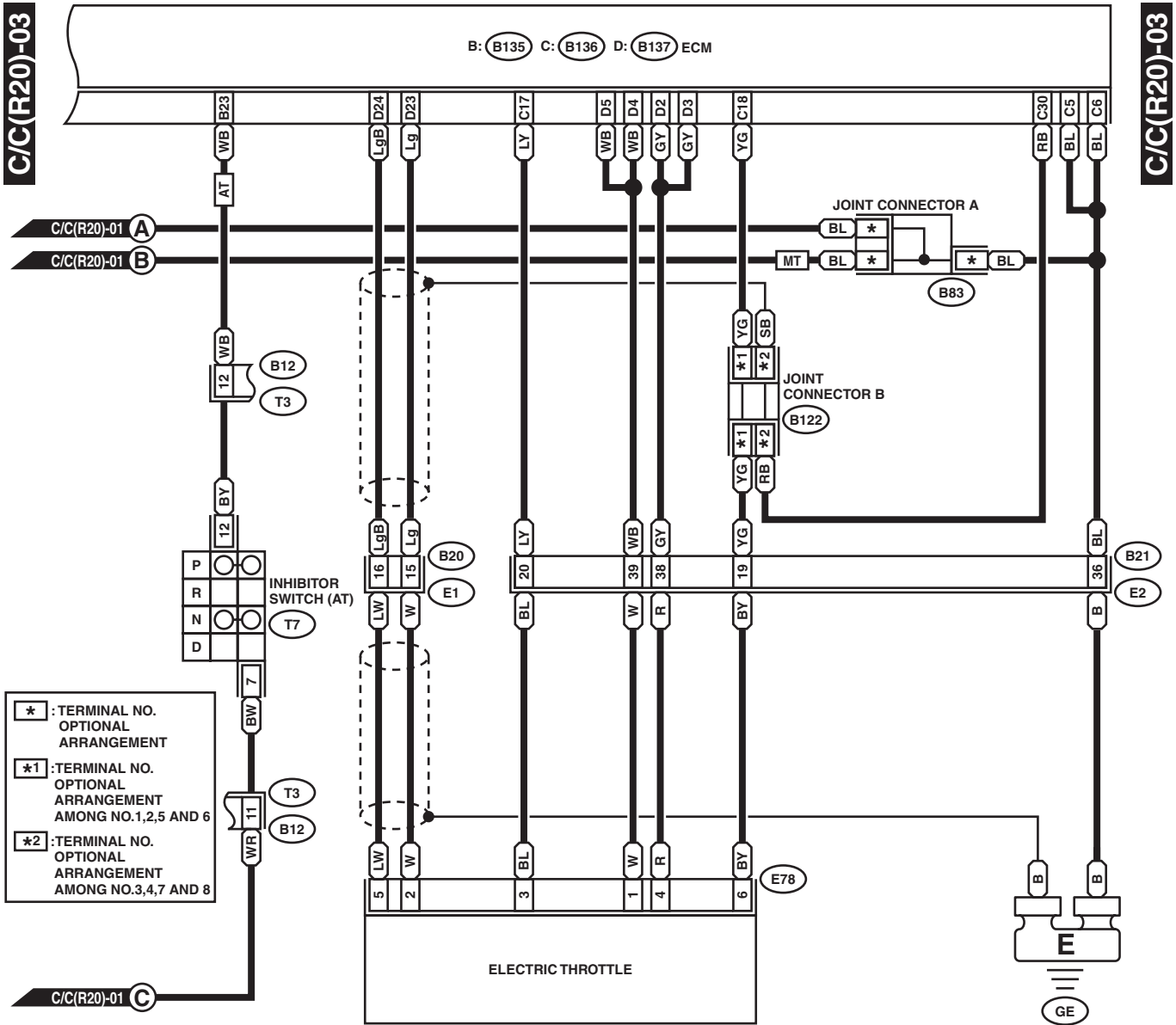
C/C(R20)-02



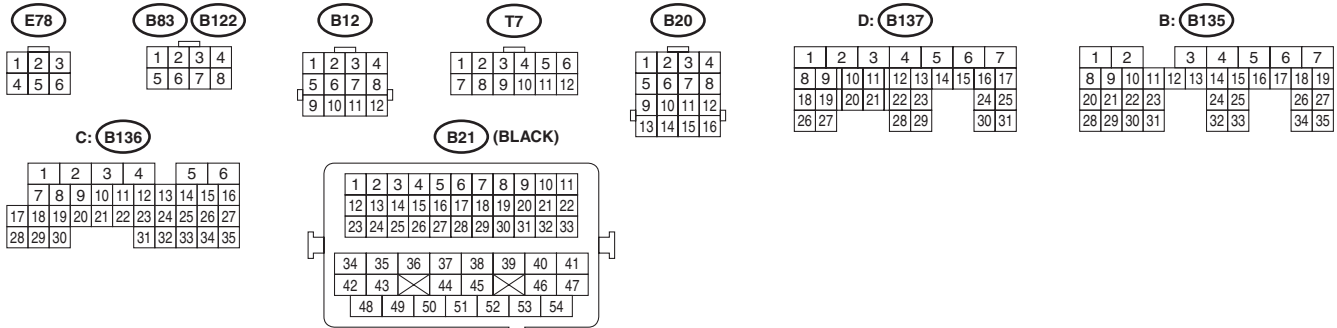
WI-04008

Cruise Control System

WIRING SYSTEM

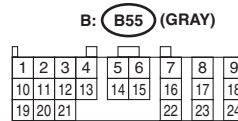
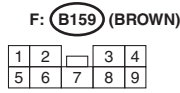
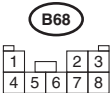
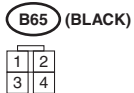
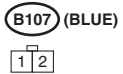
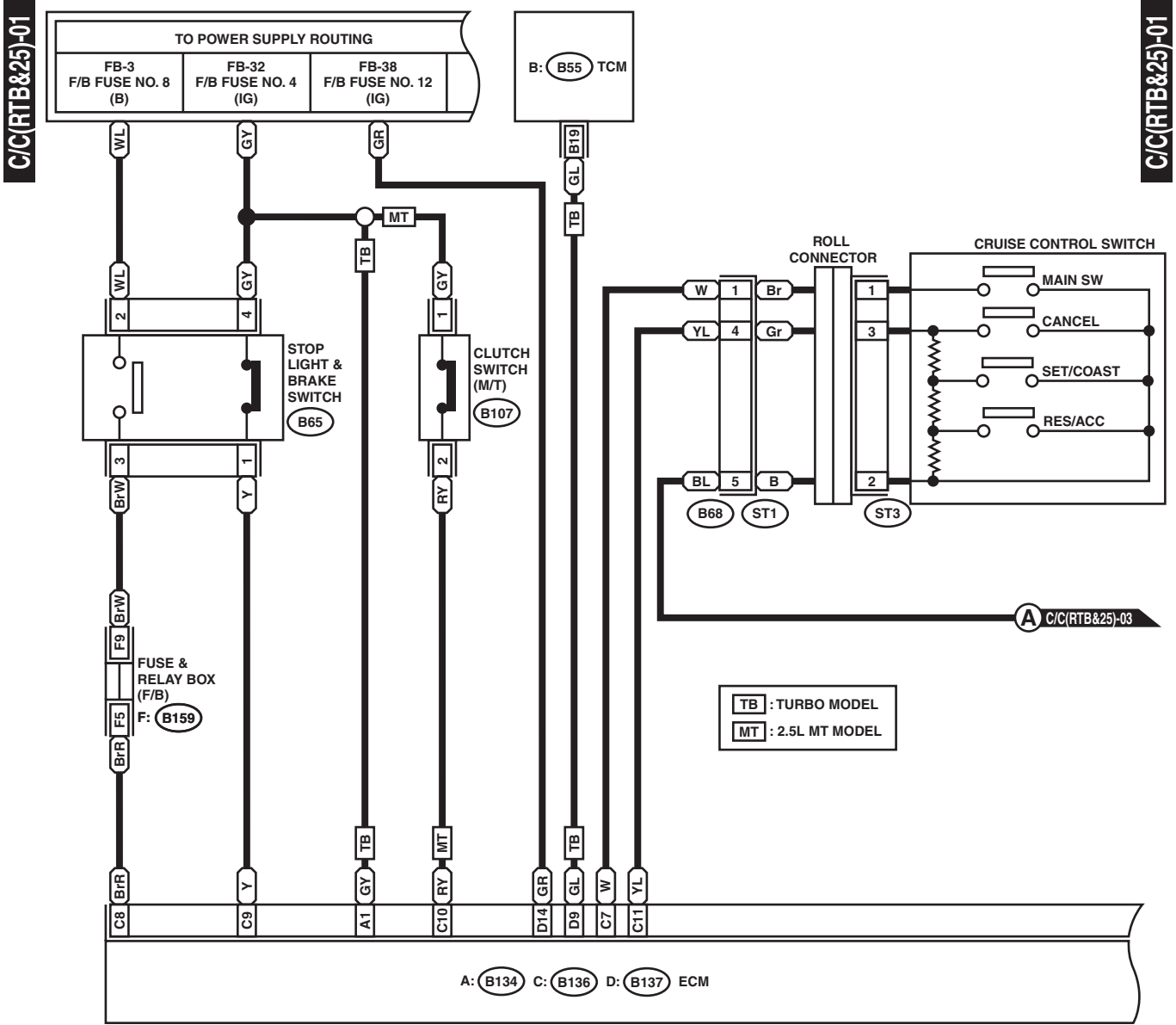


- * : TERMINAL NO. OPTIONAL ARRANGEMENT
- *1 : TERMINAL NO. OPTIONAL ARRANGEMENT AMONG NO.1,2,5 AND 6
- *2 : TERMINAL NO. OPTIONAL ARRANGEMENT AMONG NO.3,4,7 AND 8

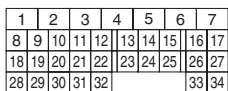


WI-04009

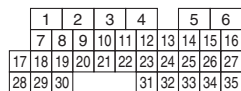
4. RHD 2.5 L EK AND TURBO MODEL



A: B134



C: B136

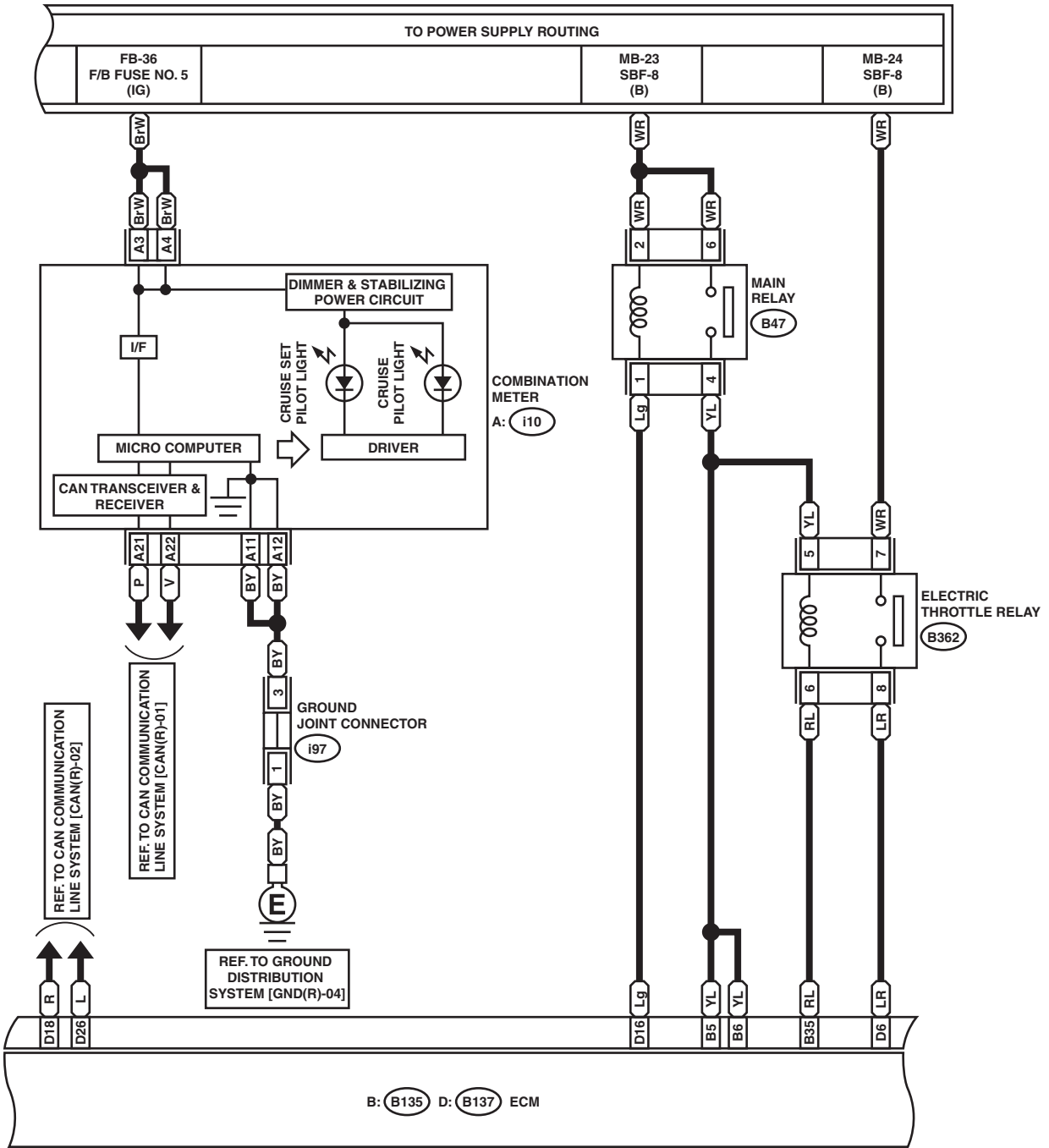


Cruise Control System

WIRING SYSTEM

C/C(RTB&25)-02

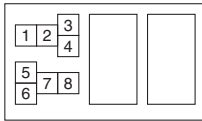
C/C(RTB&25)-02



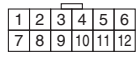
B47



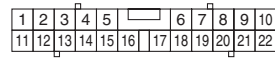
B362



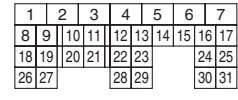
i97



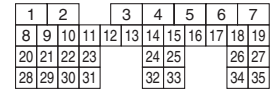
A: i10



D: B137



B: B135



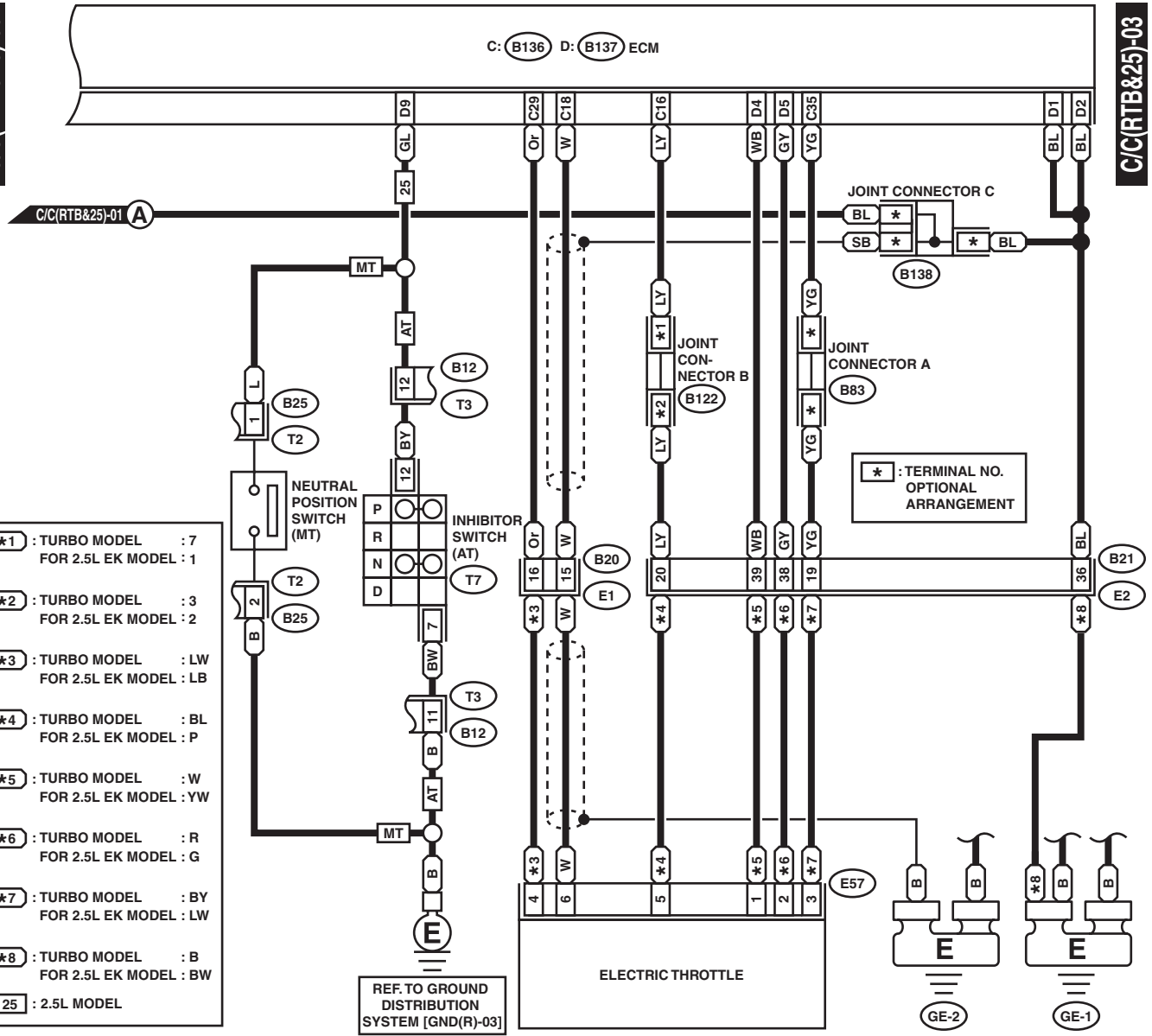
WI-04011

Cruise Control System

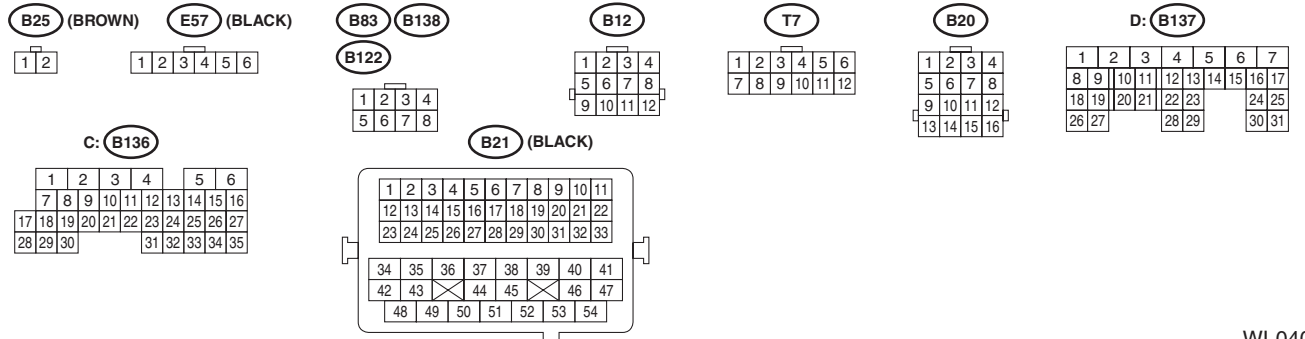
WIRING SYSTEM

C/C(RTB&25)-03

C/C(RTB&25)-03



- *1 : TURBO MODEL : 7
FOR 2.5L EK MODEL : 1
- *2 : TURBO MODEL : 3
FOR 2.5L EK MODEL : 2
- *3 : TURBO MODEL : LW
FOR 2.5L EK MODEL : LB
- *4 : TURBO MODEL : BL
FOR 2.5L EK MODEL : P
- *5 : TURBO MODEL : W
FOR 2.5L EK MODEL : YW
- *6 : TURBO MODEL : R
FOR 2.5L EK MODEL : G
- *7 : TURBO MODEL : BY
FOR 2.5L EK MODEL : LW
- *8 : TURBO MODEL : B
FOR 2.5L EK MODEL : BW
- 25 : 2.5L MODEL

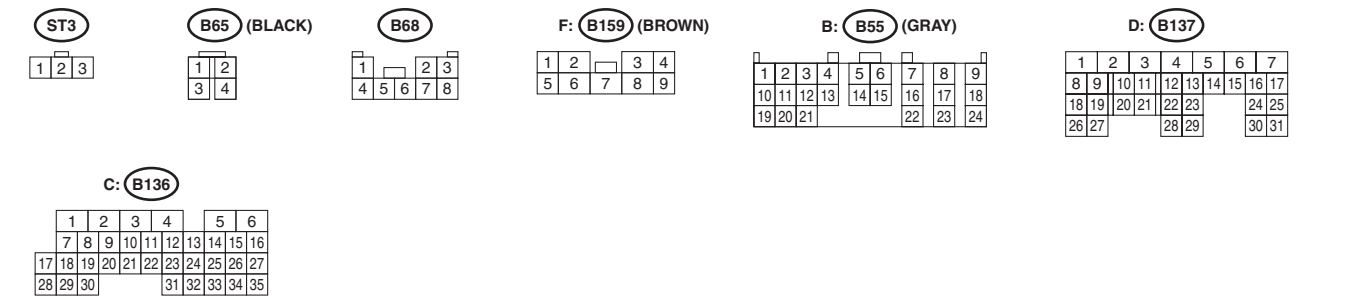
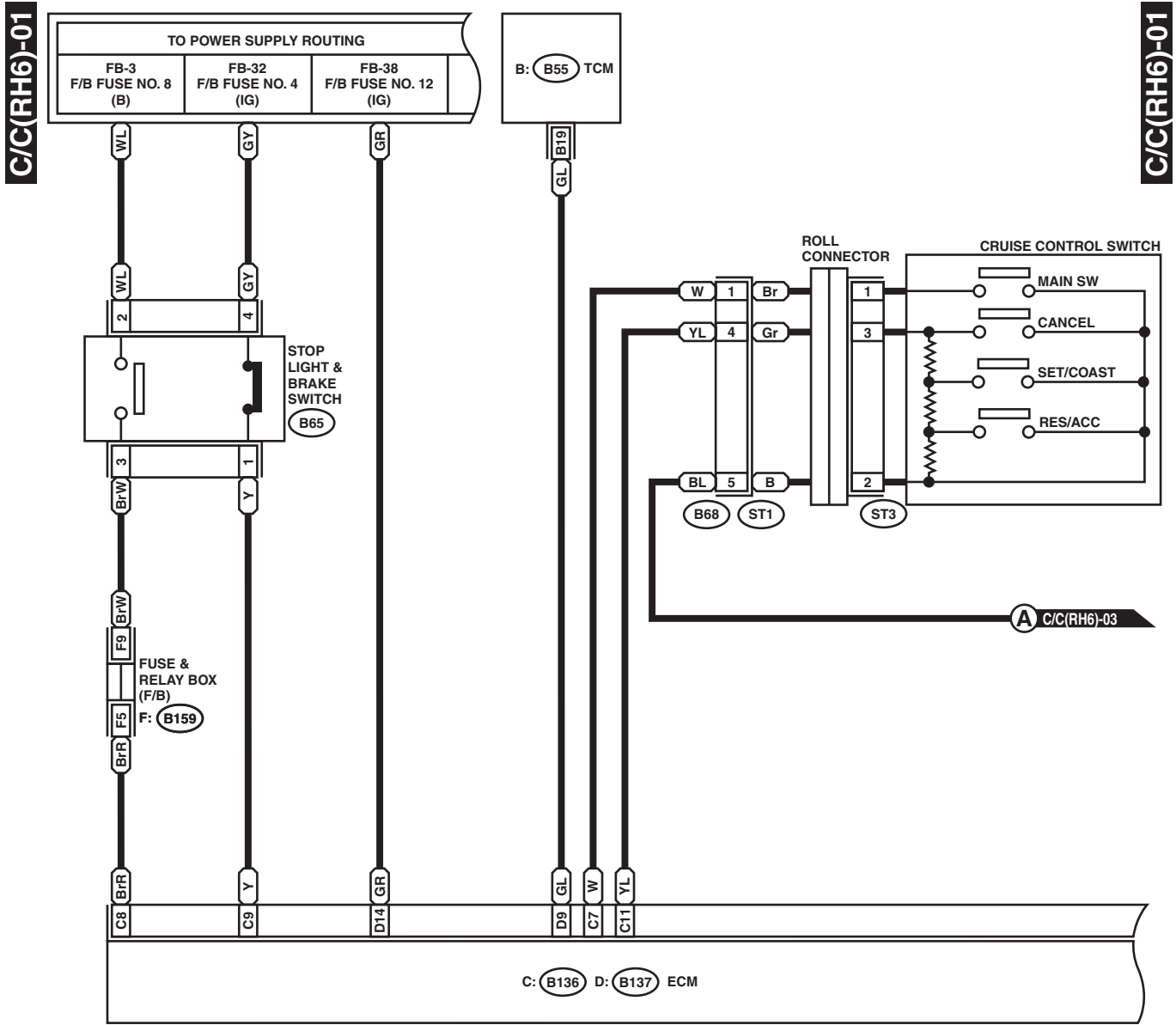


WI-04012

Cruise Control System

WIRING SYSTEM

5. RHD 3.0 L MODEL



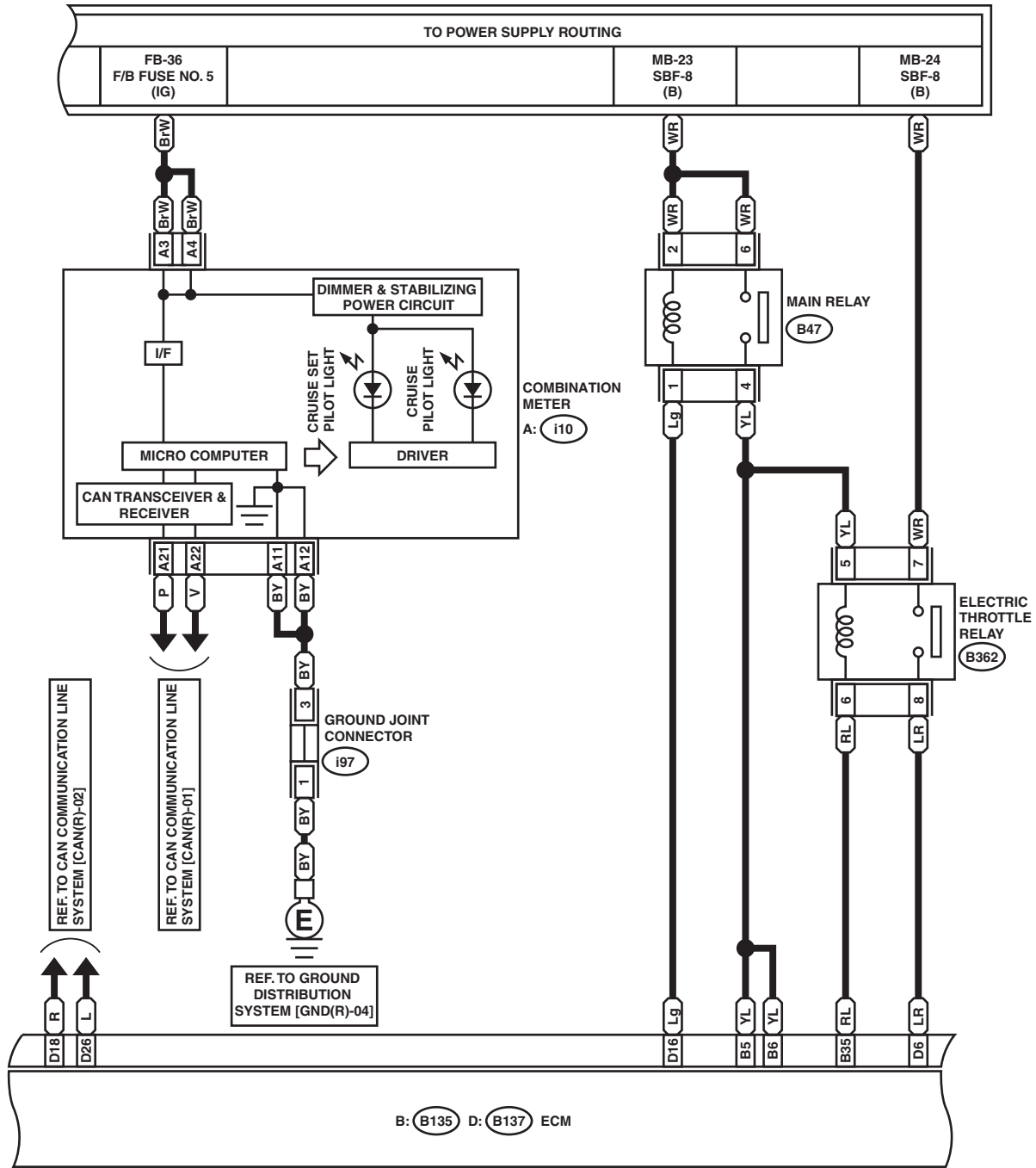
WI-04013

Cruise Control System

WIRING SYSTEM

C/C(RH6)-02

C/C(RH6)-02



B47

1	2
3	4
5	6

B362

1	2	3
4	5	6
7	8	
9	10	

i97

1	2	3	4	5	6
7	8	9	10	11	12

A: i10

1	2	3	4	5	6	7	8	9	10		
11	12	13	14	15	16	17	18	19	20	21	22

D: B137

1	2	3	4	5	6	7			
8	9	10	11	12	13	14	15	16	17
18	19	20	21	22	23	24	25	26	27
28	29	30	31						

B: B135

1	2	3	4	5	6	7					
8	9	10	11	12	13	14	15	16	17	18	19
20	21	22	23	24	25	26	27	28	29	30	31
32	33	34	35								

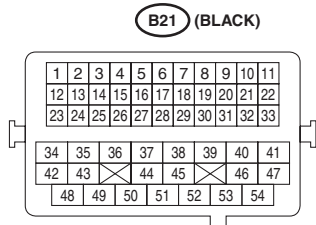
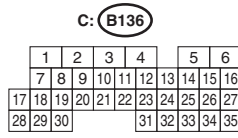
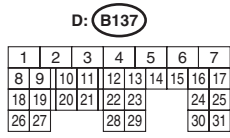
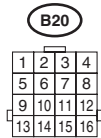
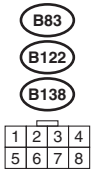
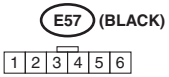
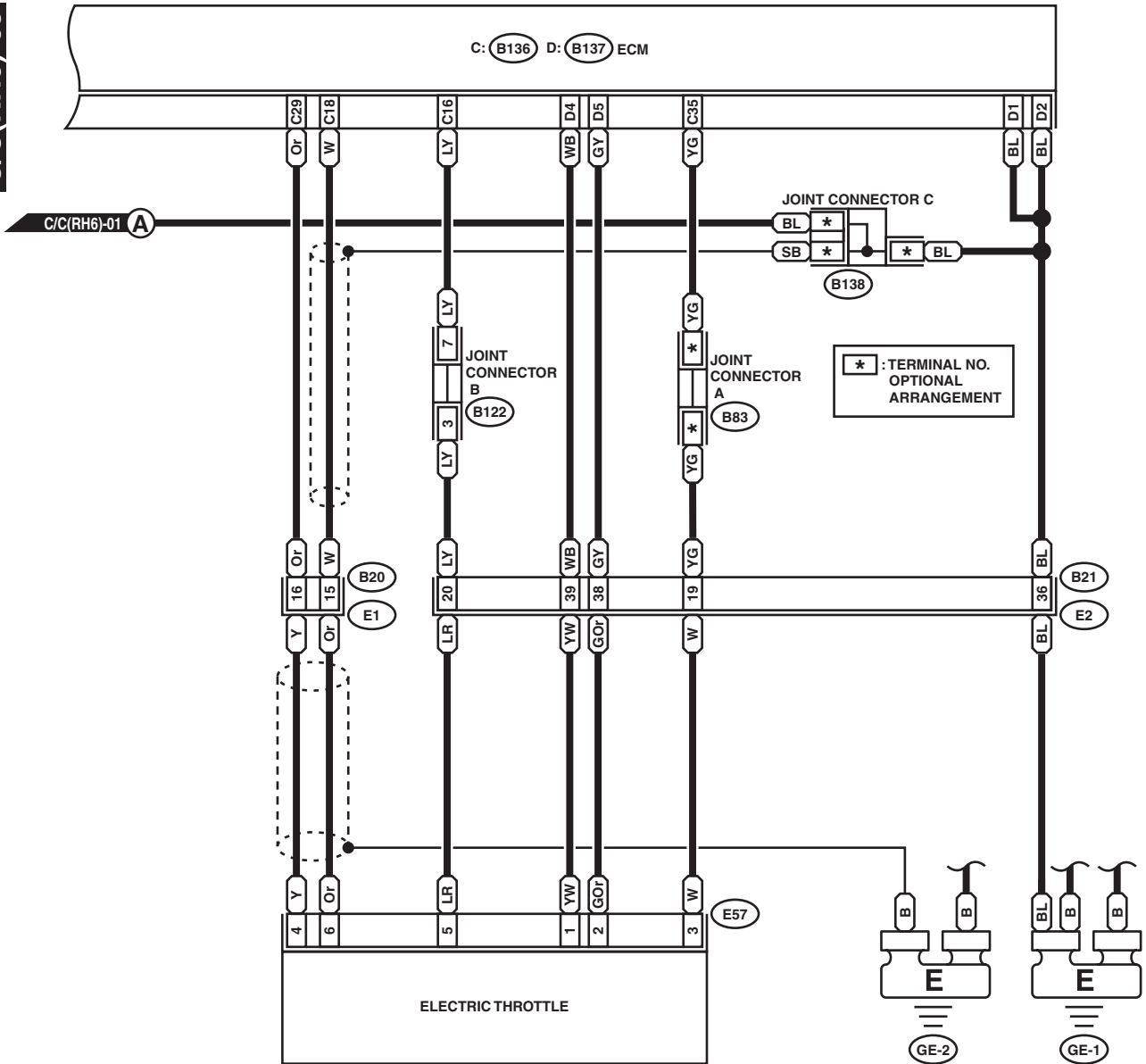
WI-04014

Cruise Control System

WIRING SYSTEM

C/C(RH6)-03

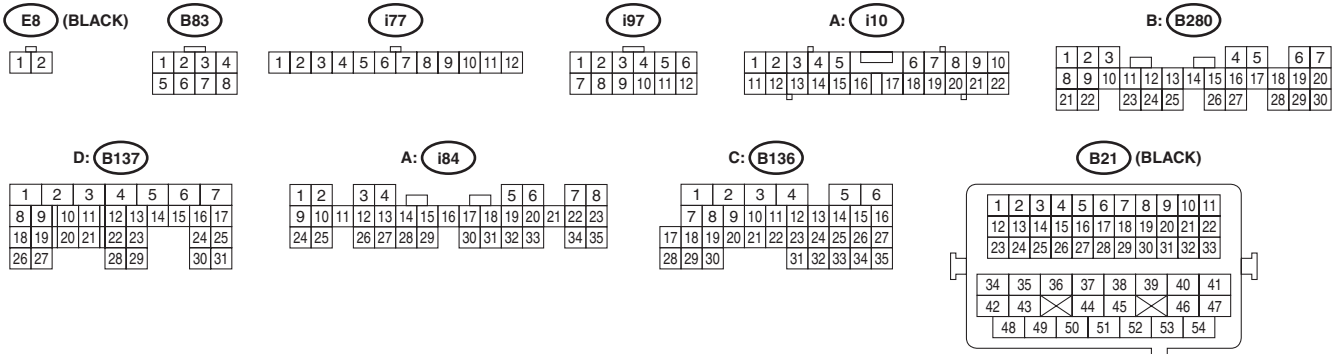
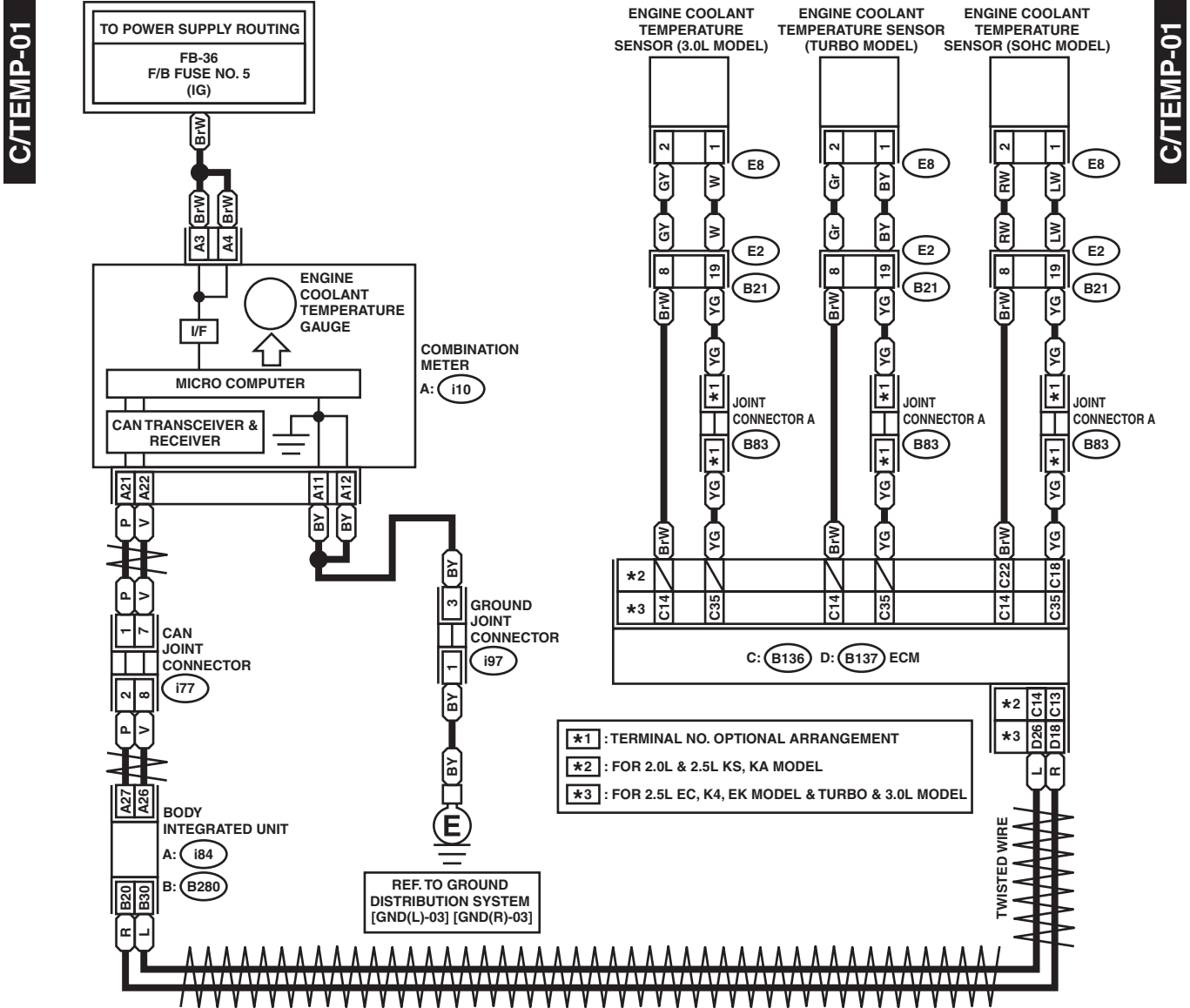
C/C(RH6)-03



WI-04015

15. Coolant Temperature System

A: WIRING DIAGRAM



WI-04016

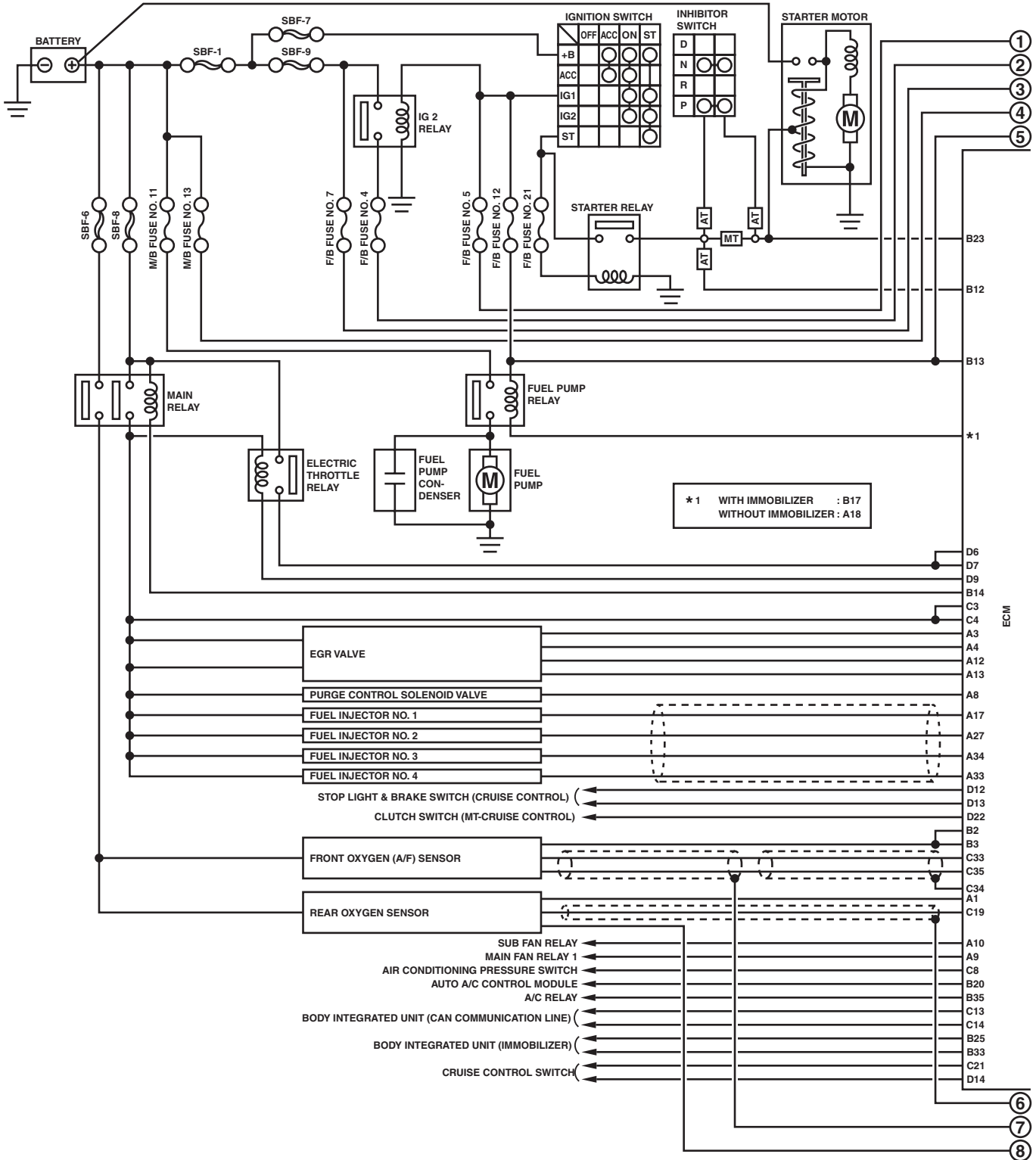
Engine Electrical System

WIRING SYSTEM

16.Engine Electrical System

A: WIRING DIAGRAM

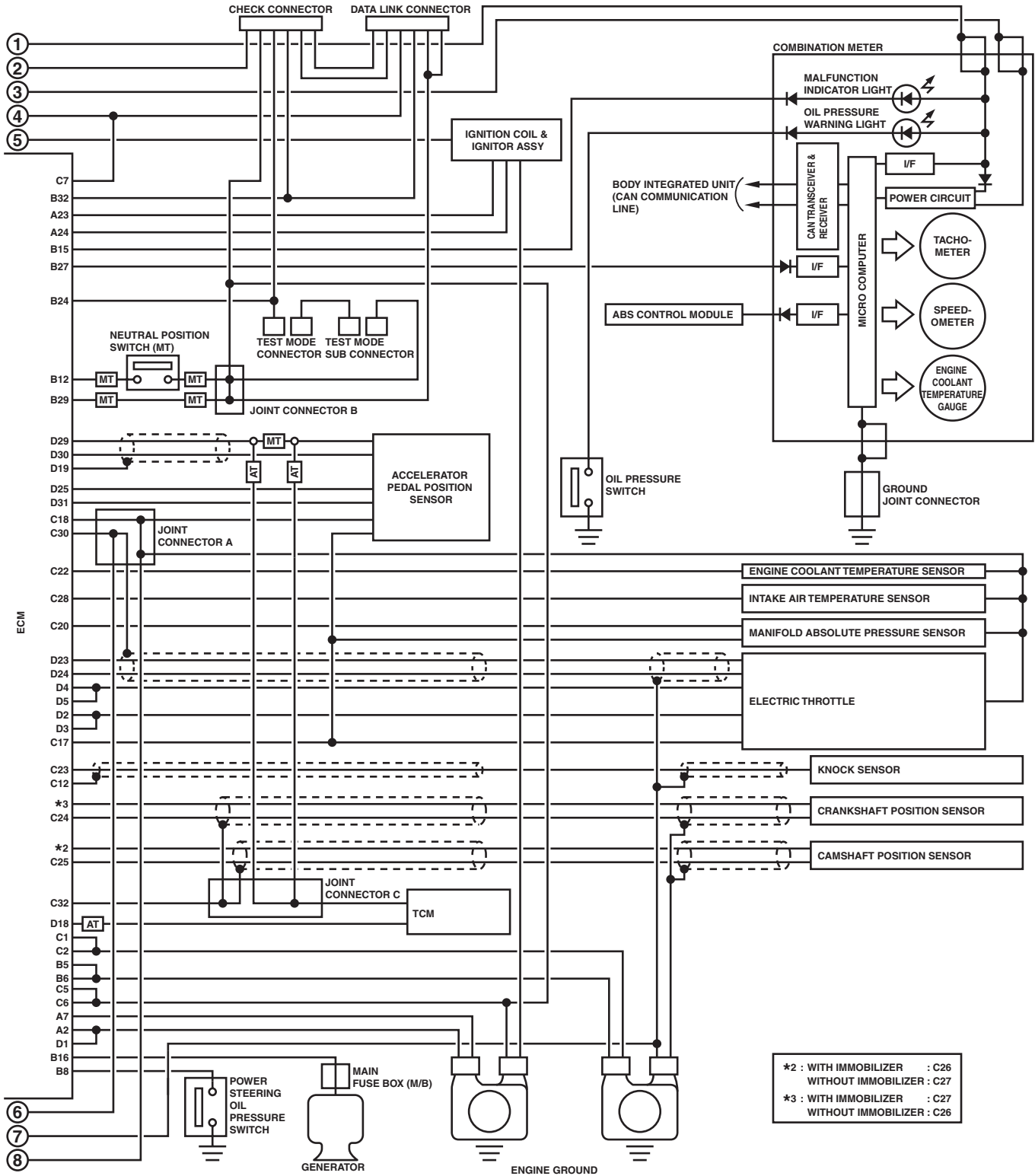
1. LHD 2.0 L MODEL AND 2.5 L KS MODEL



WI-04017

Engine Electrical System

WIRING SYSTEM



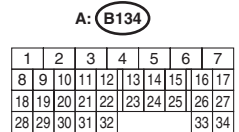
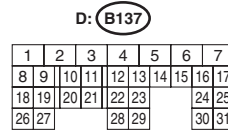
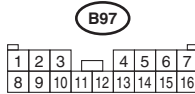
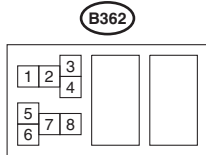
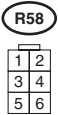
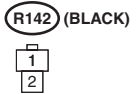
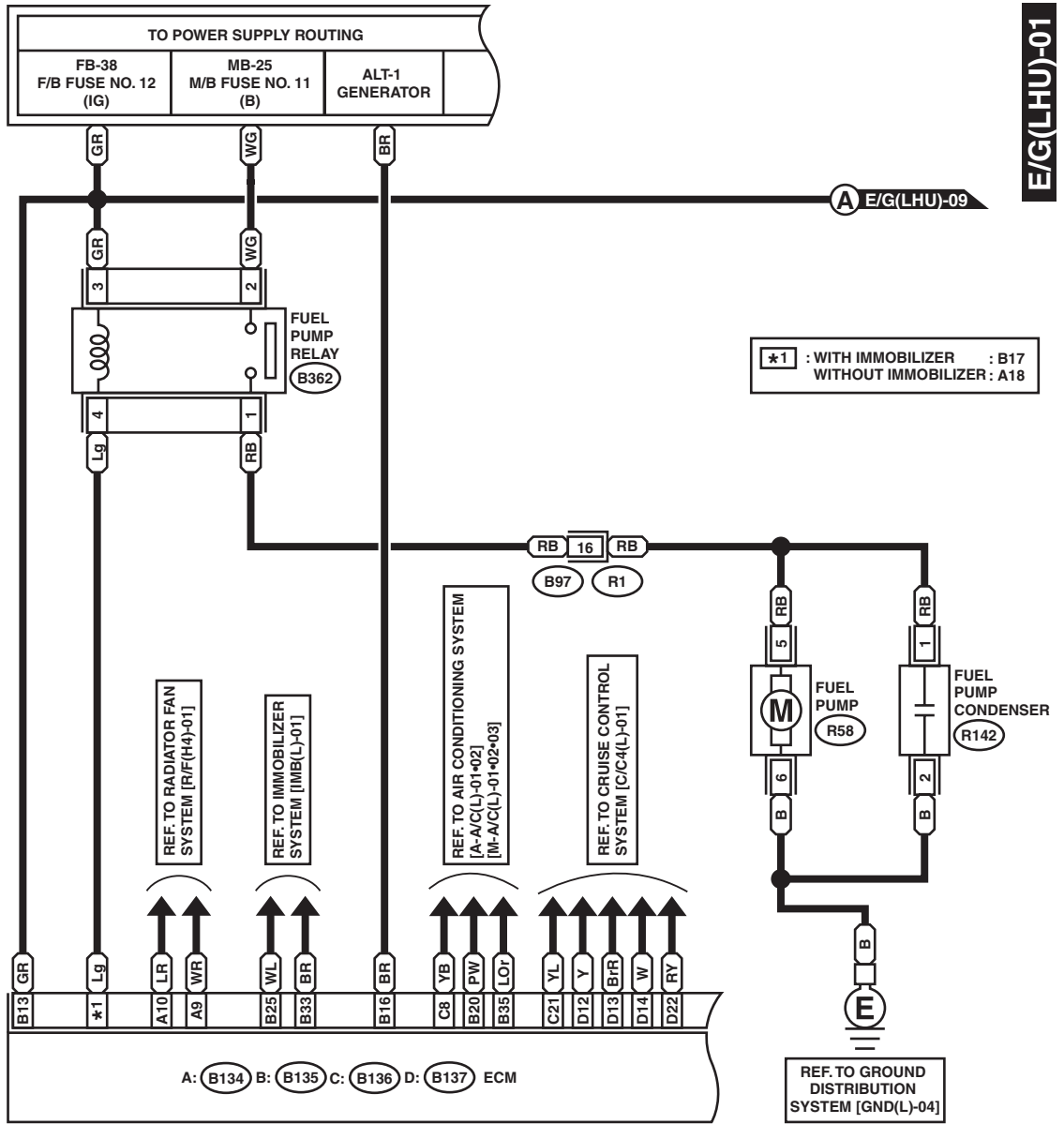
WI-04018

Engine Electrical System

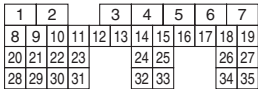
WIRING SYSTEM

E/G(LHU)-01

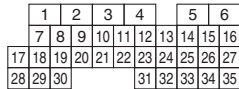
E/G(LHU)-01



B: B135



C: B136



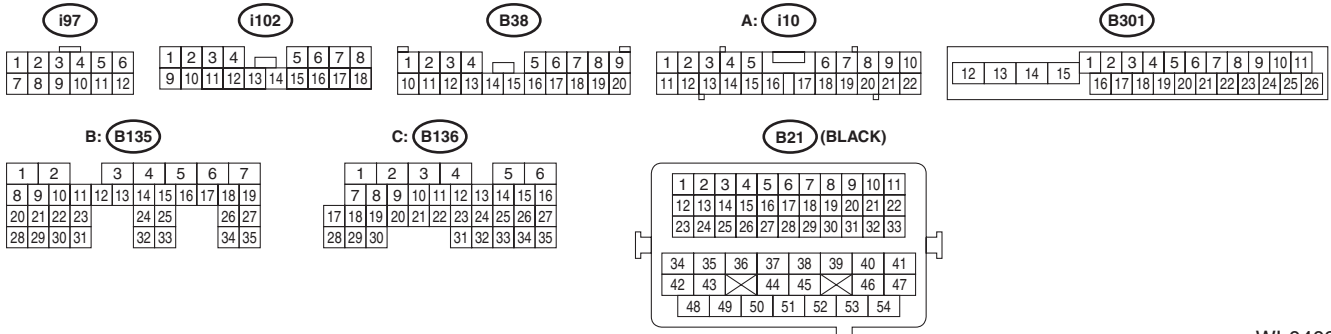
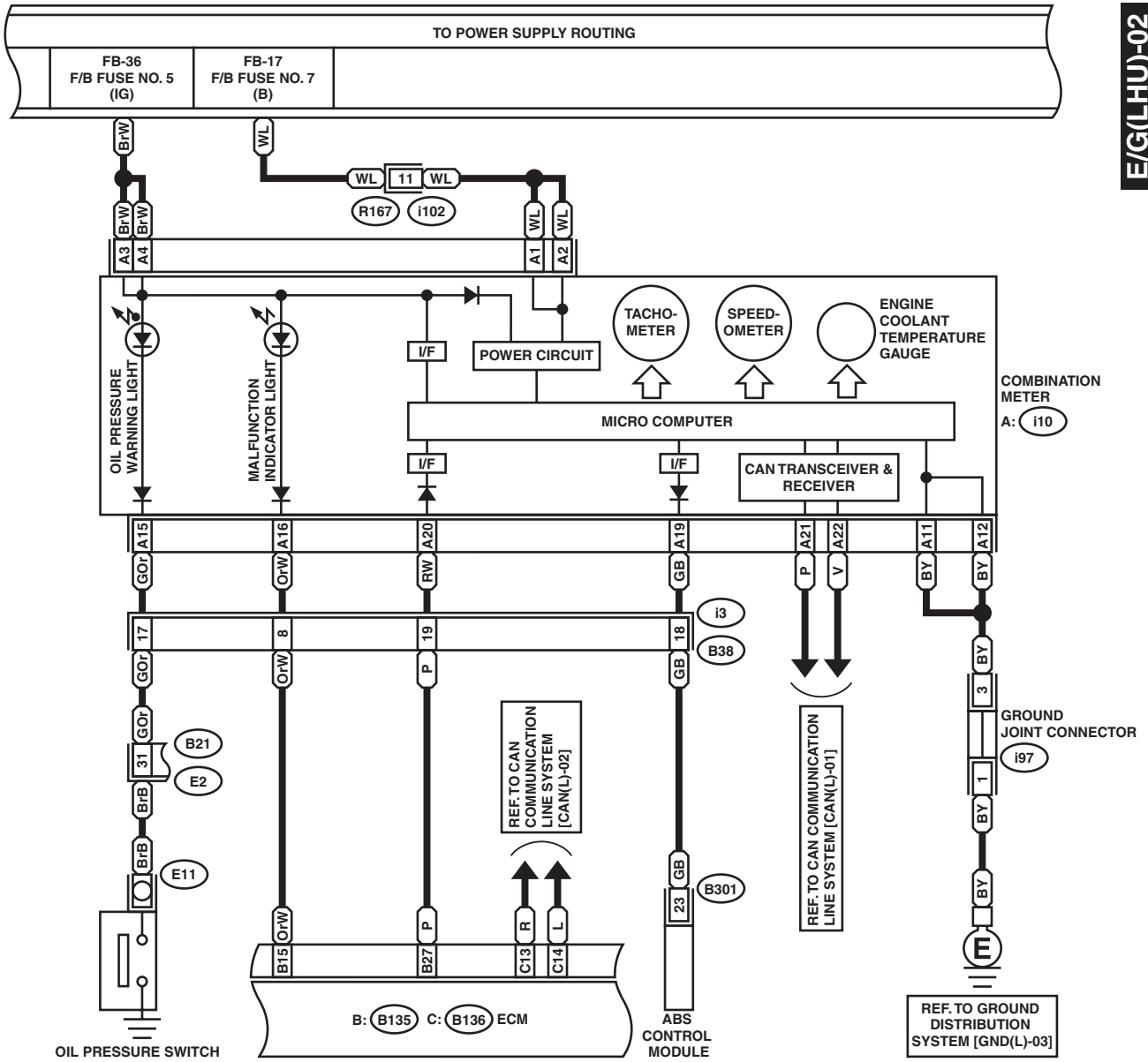
WI-04019

Engine Electrical System

WIRING SYSTEM

E/G(LHU)-02

E/G(LHU)-02



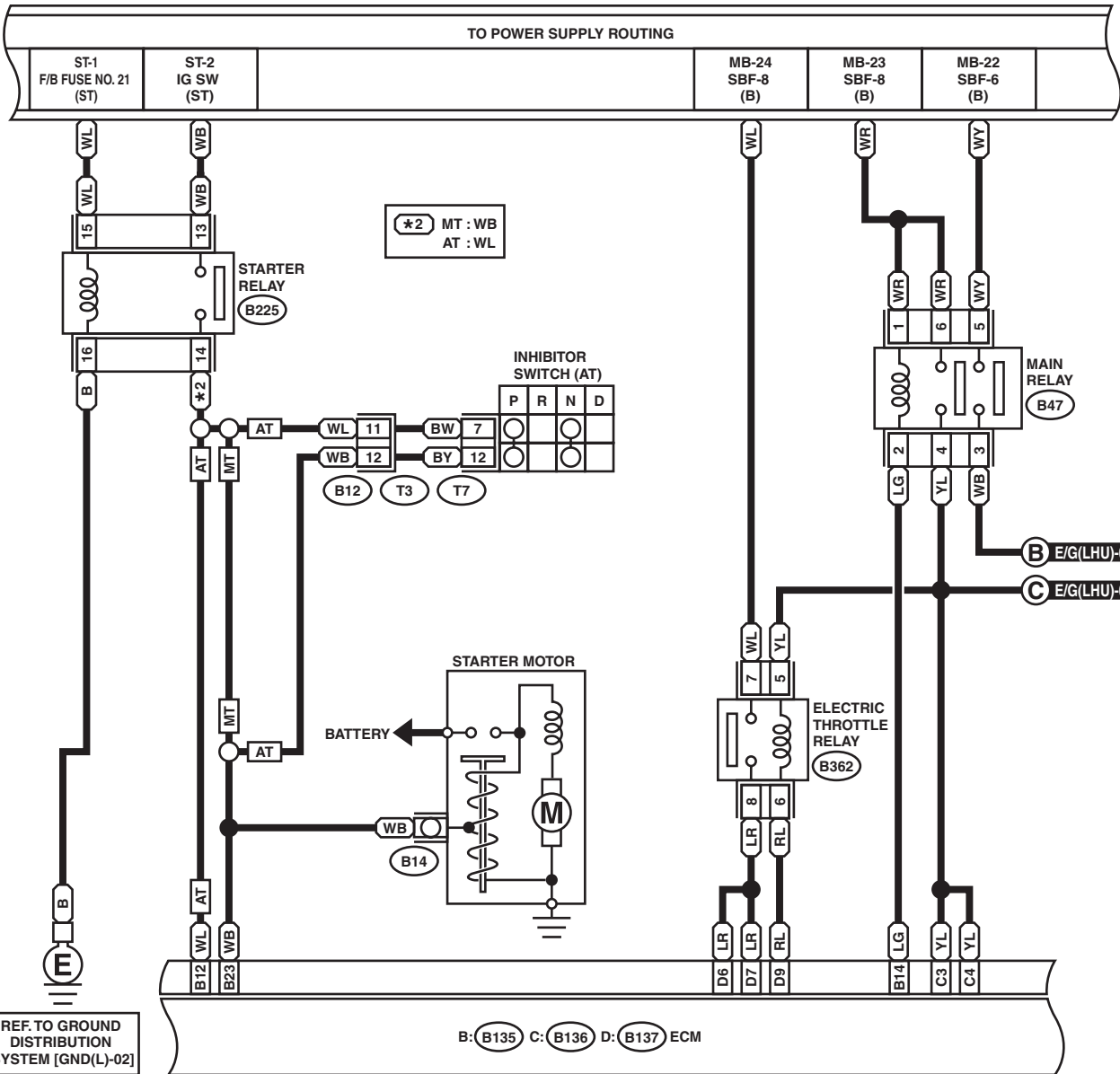
WI-04020

Engine Electrical System

WIRING SYSTEM

E/G(LHU)-03

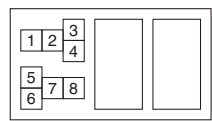
E/G(LHU)-03



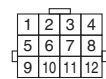
B47 (BROWN)



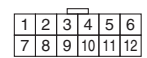
B362



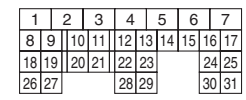
B12



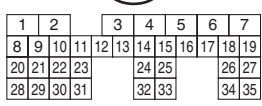
T7



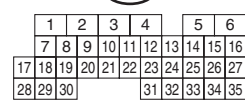
D: B137



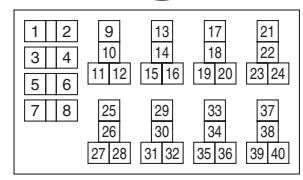
B: B135



C: B136



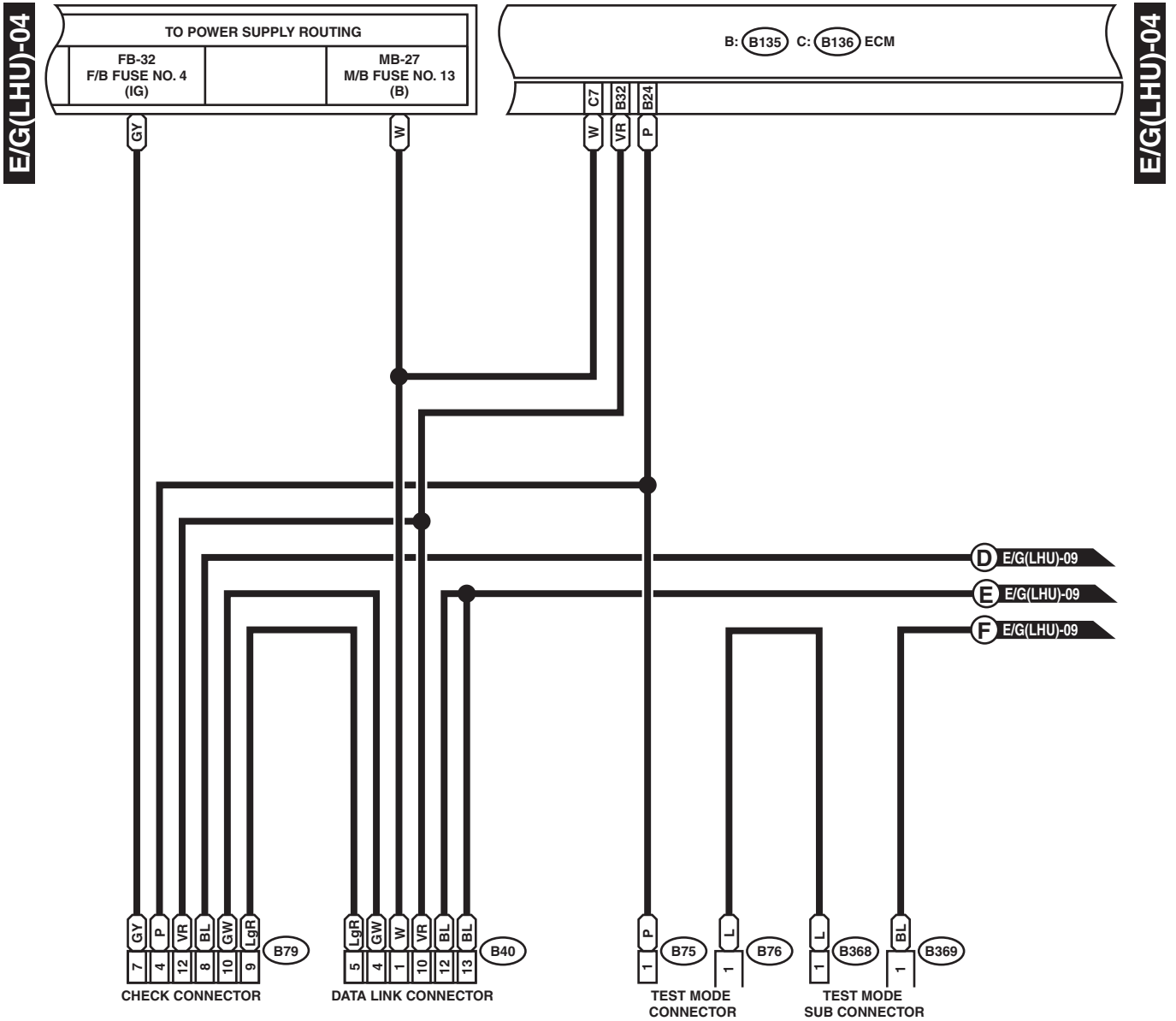
B225



WI-04021

Engine Electrical System

WIRING SYSTEM



B75 (GREEN)

B76 (GREEN)

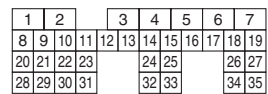
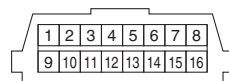
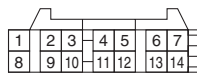
B79 (GRAY)

B40

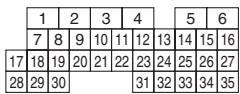
B: B135

B368 (GREEN)

B369 (GREEN)



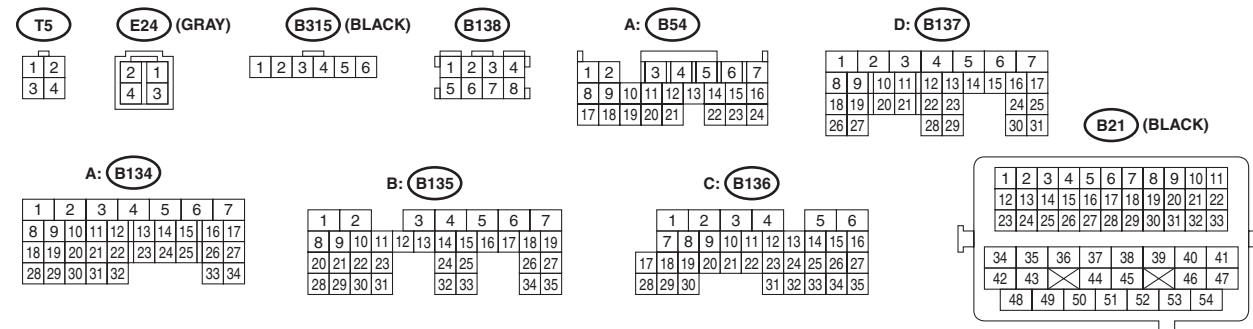
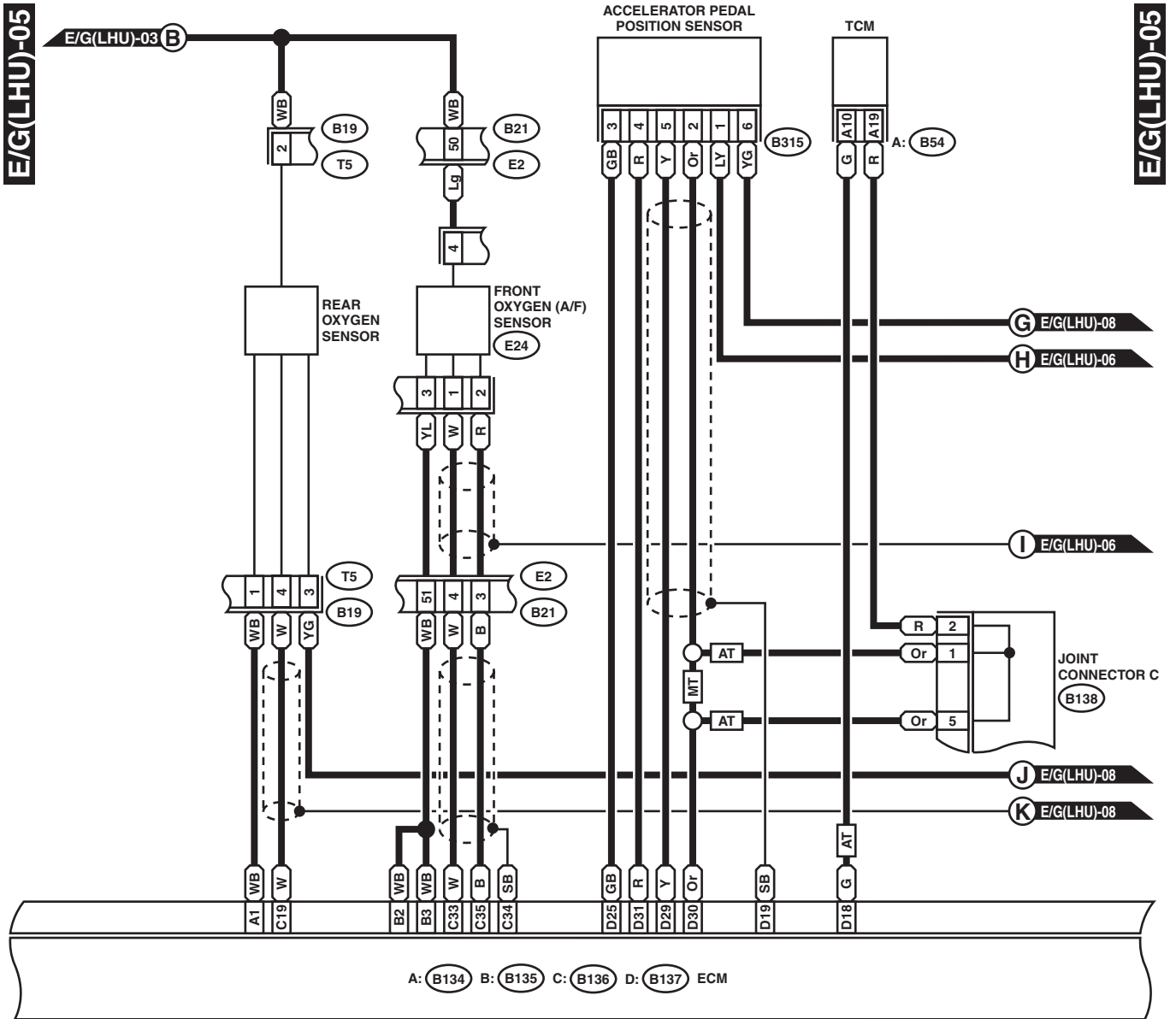
C: B136



WI-04022

Engine Electrical System

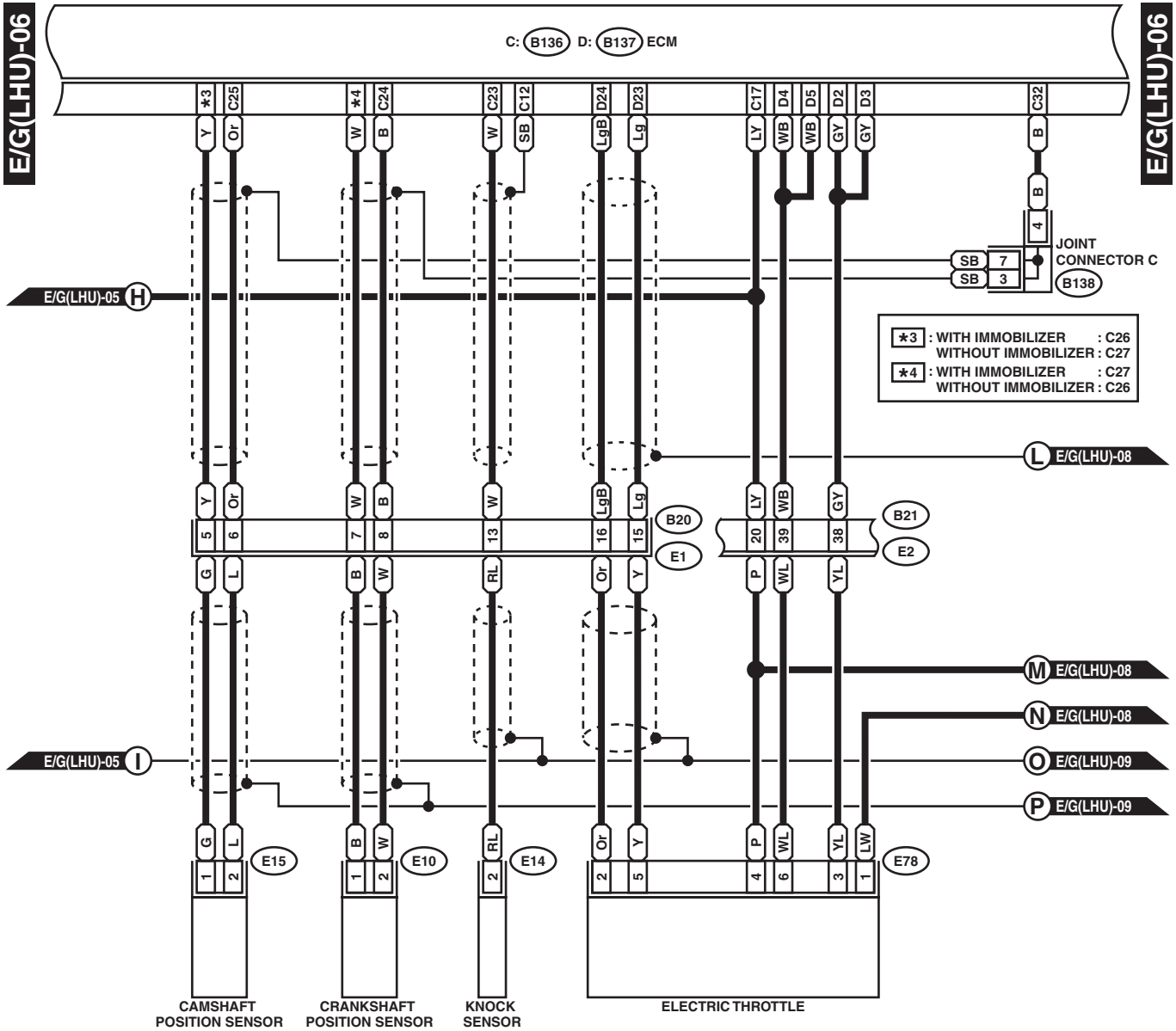
WIRING SYSTEM



WI-04023

Engine Electrical System

WIRING SYSTEM



E10 (LIGHT GRAY)

E14 (BROWN)

E78 (BLACK)

B138

B20

D: **B137**

E15 (GRAY)

1 2

1	2	3
4	5	6

1	2	3	4
5	6	7	8

1	2	3	4
5	6	7	8
9	10	11	12
13	14	15	16

1	2	3	4	5	6	7
8	9	10	11	12	13	14
15	16	17	18	19	20	21
22	23	24	25	26	27	28
29	30	31	32	33	34	35

C: **B136**

B21 (BLACK)

1	2	3	4	5	6
7	8	9	10	11	12
13	14	15	16	17	18
19	20	21	22	23	24
25	26	27	28	29	30
31	32	33	34	35	

1	2	3	4	5	6	7	8	9	10	11
12	13	14	15	16	17	18	19	20	21	22
23	24	25	26	27	28	29	30	31	32	33
34	35	36	37	38	39	40	41			
42	43	44	45	46	47					
48	49	50	51	52	53	54				

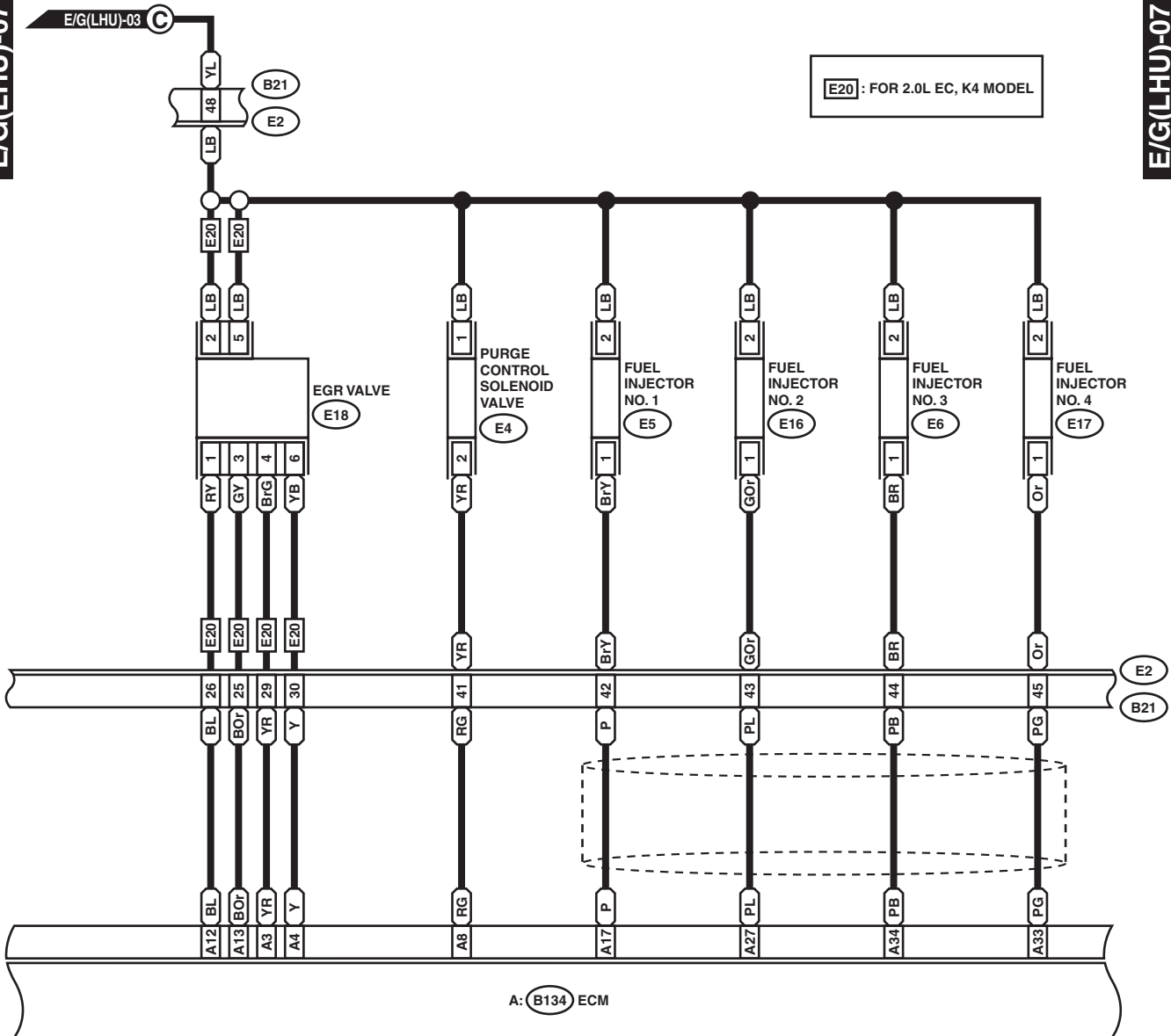
WI-04024

Engine Electrical System

WIRING SYSTEM

E/G(LHU)-07

E/G(LHU)-07



E20 : FOR 2.0L EC, K4 MODEL

E4 (BLUE)
1 2

E5 (LIGHT GRAY)
E6 (LIGHT GRAY)
E16 (LIGHT GRAY)
E17 (LIGHT GRAY)
1 2

E18 (DARK GRAY)
1 2 3
4 5 6

A: B134

1	2	3	4	5	6	7
8	9	10	11	12	13	14
15	16	17	18	19	20	21
22	23	24	25	26	27	28
29	30	31	32	33	34	

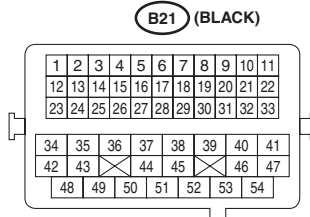
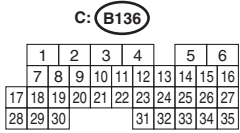
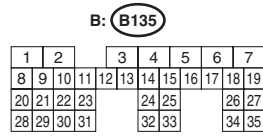
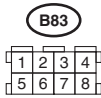
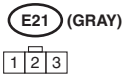
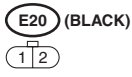
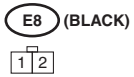
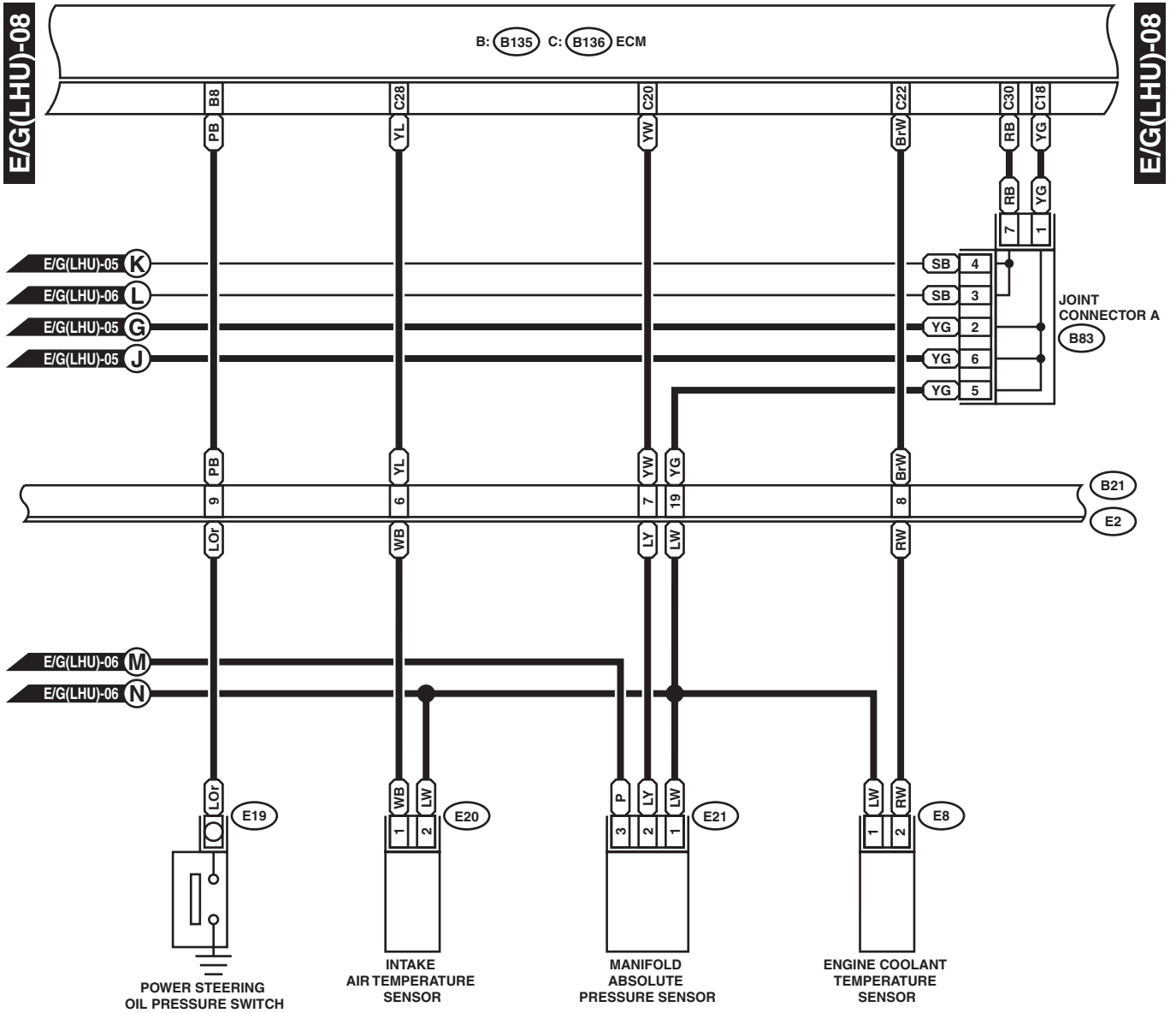
B21 (BLACK)

1	2	3	4	5	6	7	8	9	10	11
12	13	14	15	16	17	18	19	20	21	22
23	24	25	26	27	28	29	30	31	32	33
34	35	36	37	38	39	40	41			
42	43	44	45	46	47					
48	49	50	51	52	53	54				

WI-04025

Engine Electrical System

WIRING SYSTEM



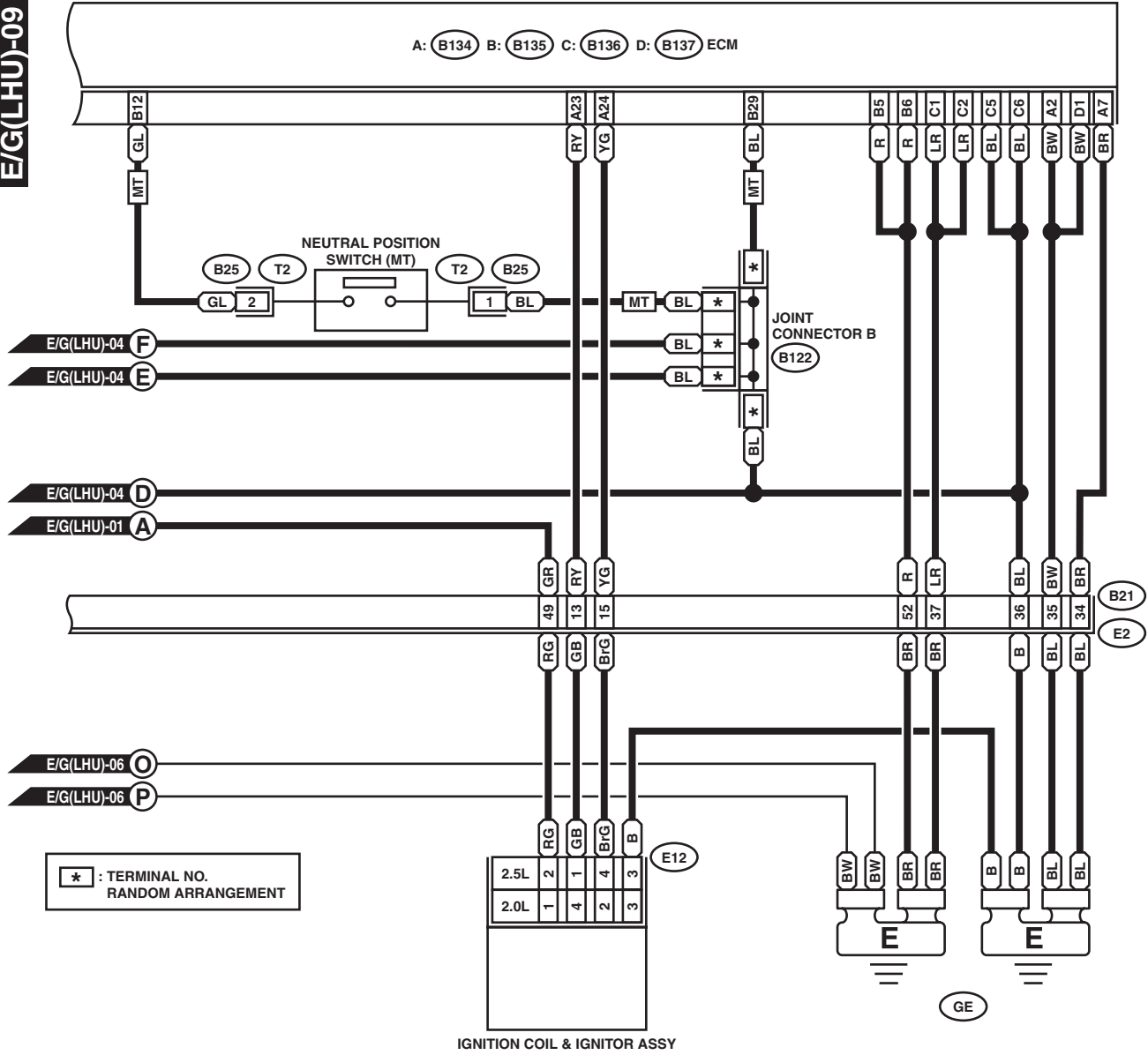
WI-04026

Engine Electrical System

WIRING SYSTEM

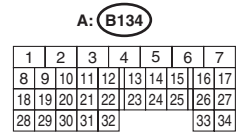
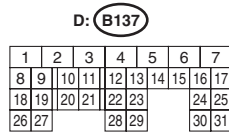
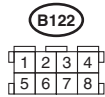
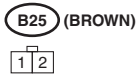
E/G(LHU)-09

E/G(LHU)-09

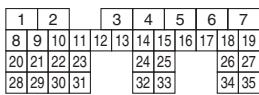


* : TERMINAL NO. RANDOM ARRANGEMENT

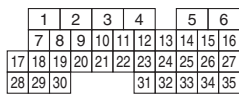
IGNITION COIL & IGNITOR ASSY



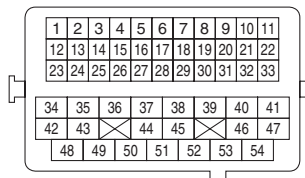
B: B135



C: B136



B21 (BLACK)

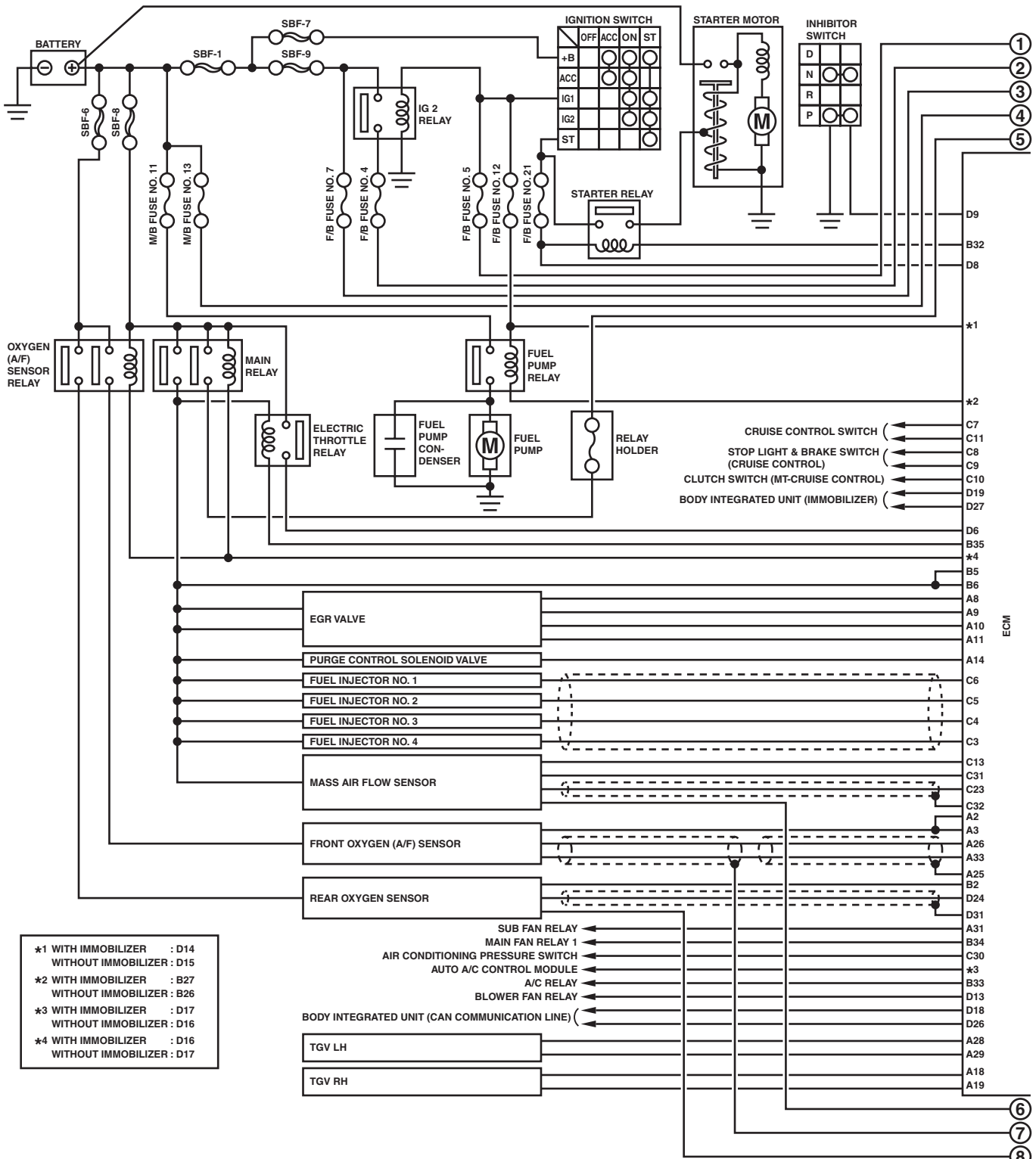


WI-04027

Engine Electrical System

WIRING SYSTEM

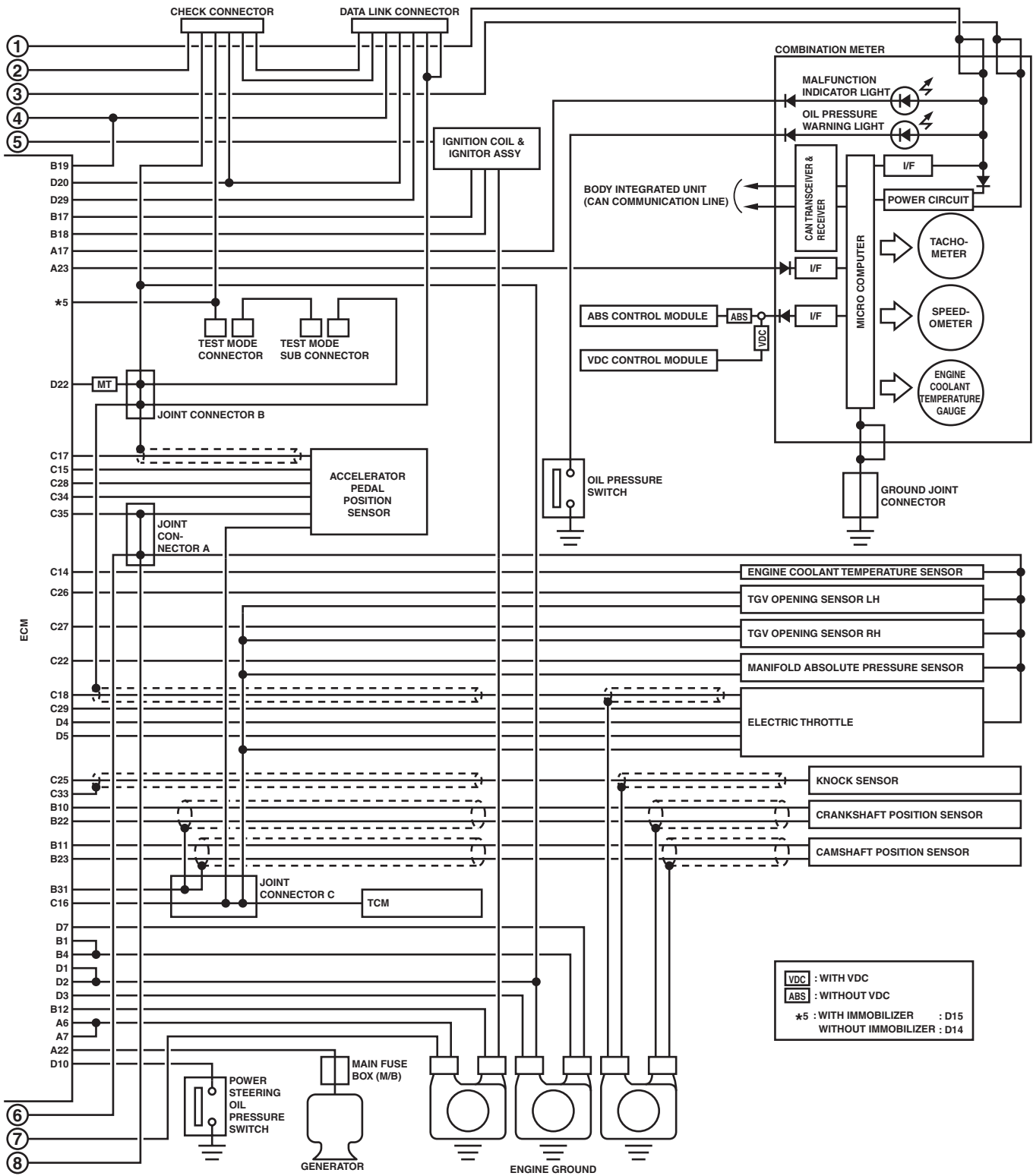
2. LHD 2.5 L EC, K4 MODEL



WI-04028

Engine Electrical System

WIRING SYSTEM



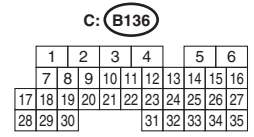
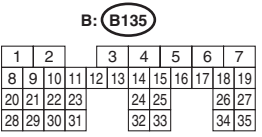
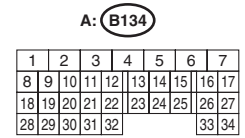
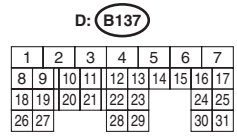
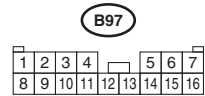
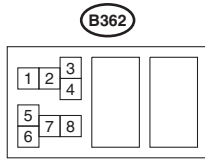
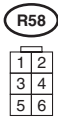
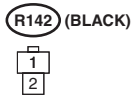
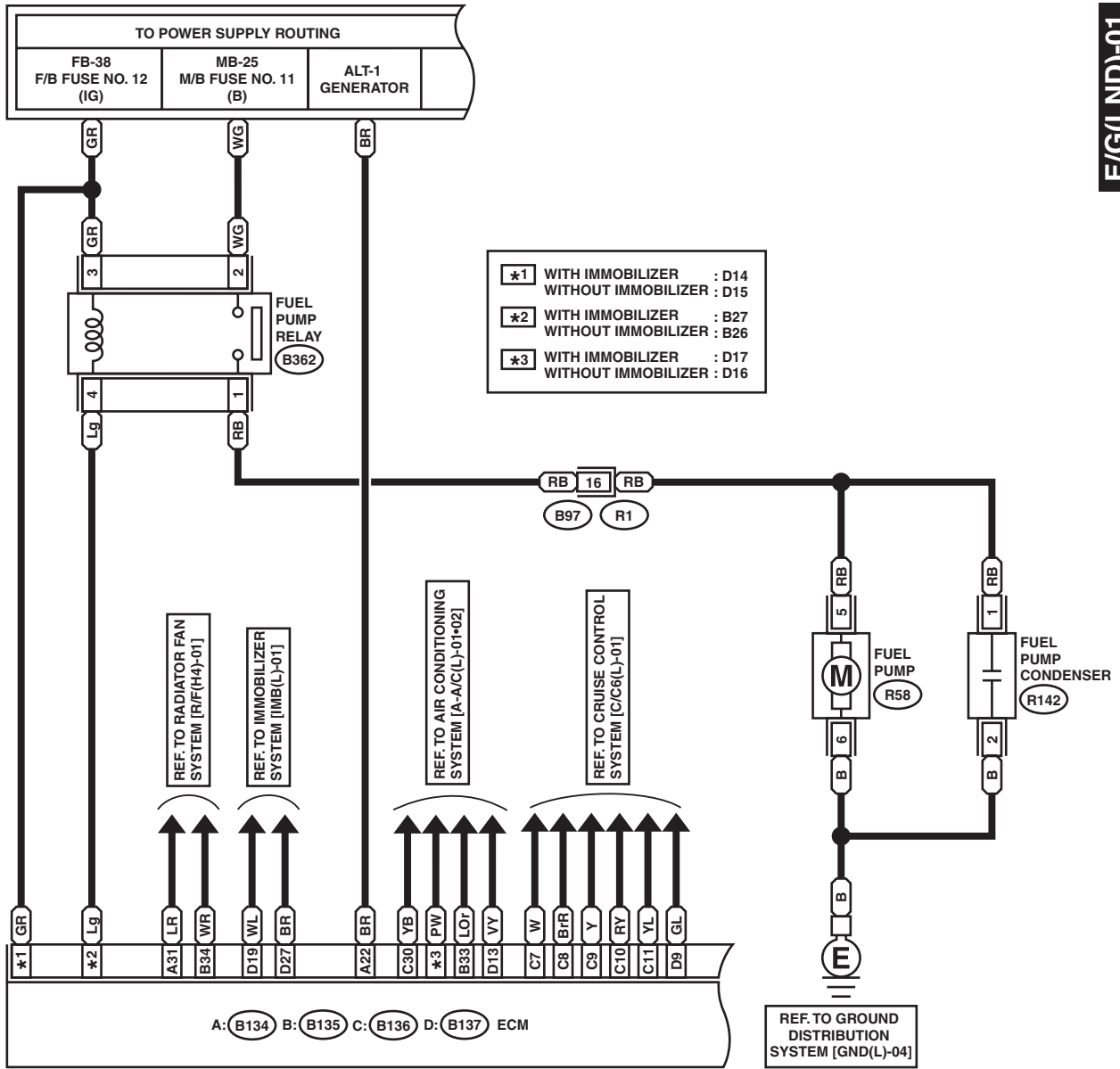
WI-04029

Engine Electrical System

WIRING SYSTEM

E/G(LND)-01

E/G(LND)-01



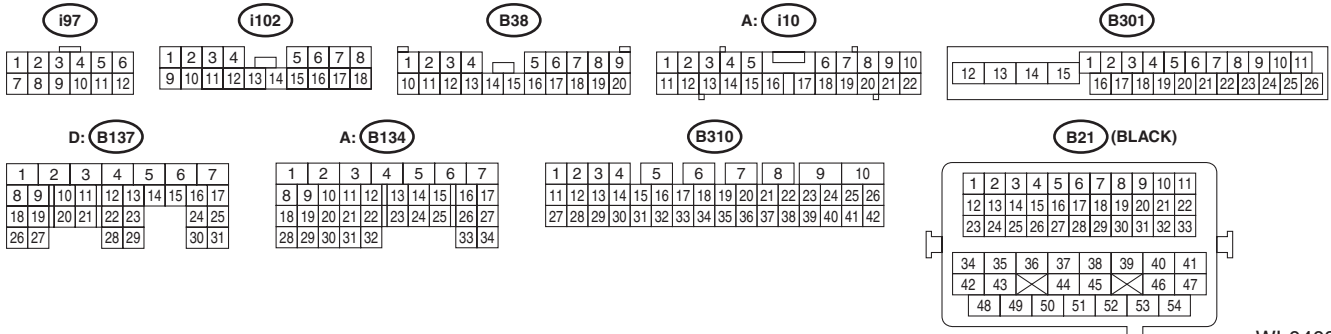
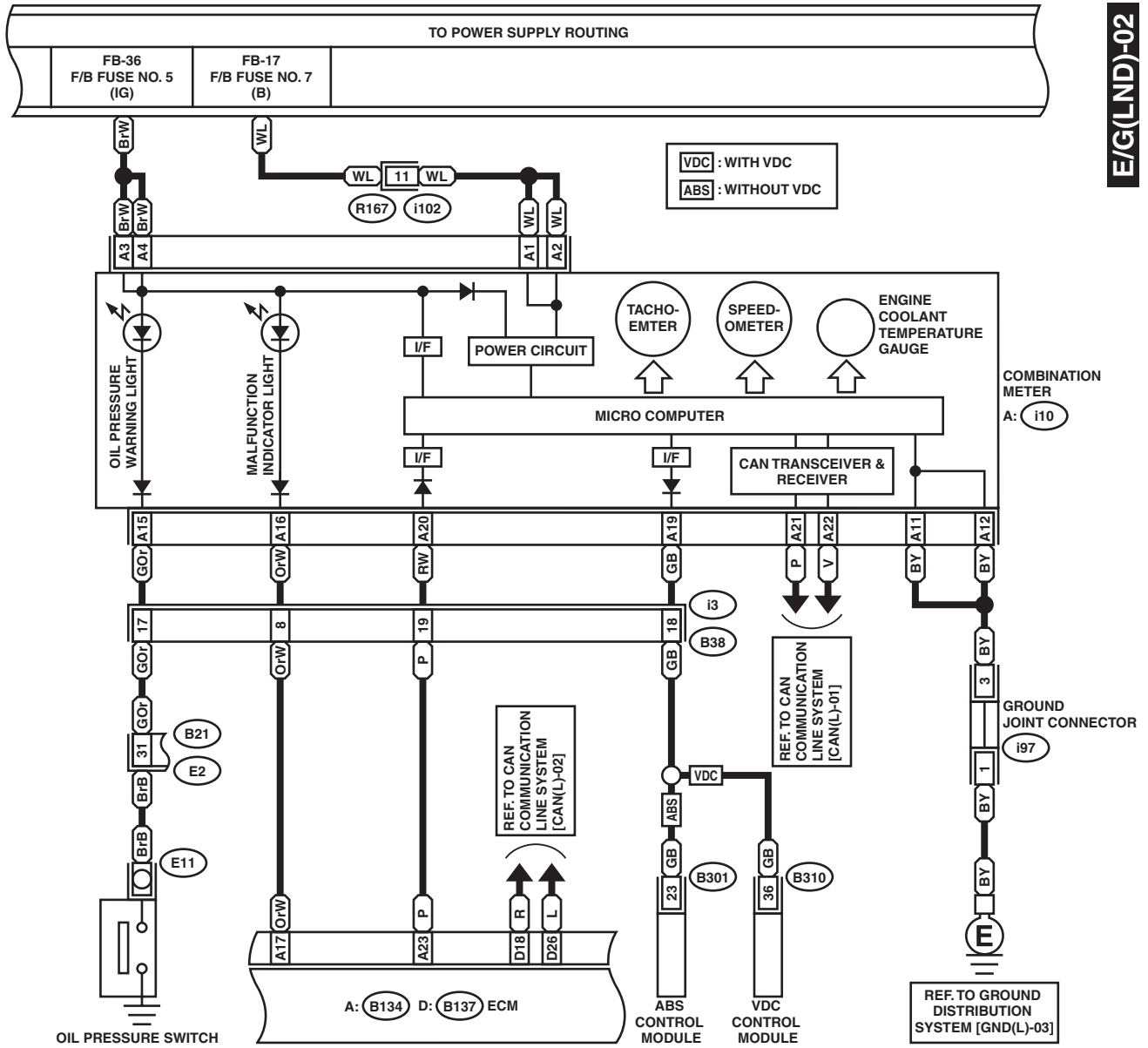
WI-04030

Engine Electrical System

WIRING SYSTEM

E/G(LND)-02

E/G(LND)-02



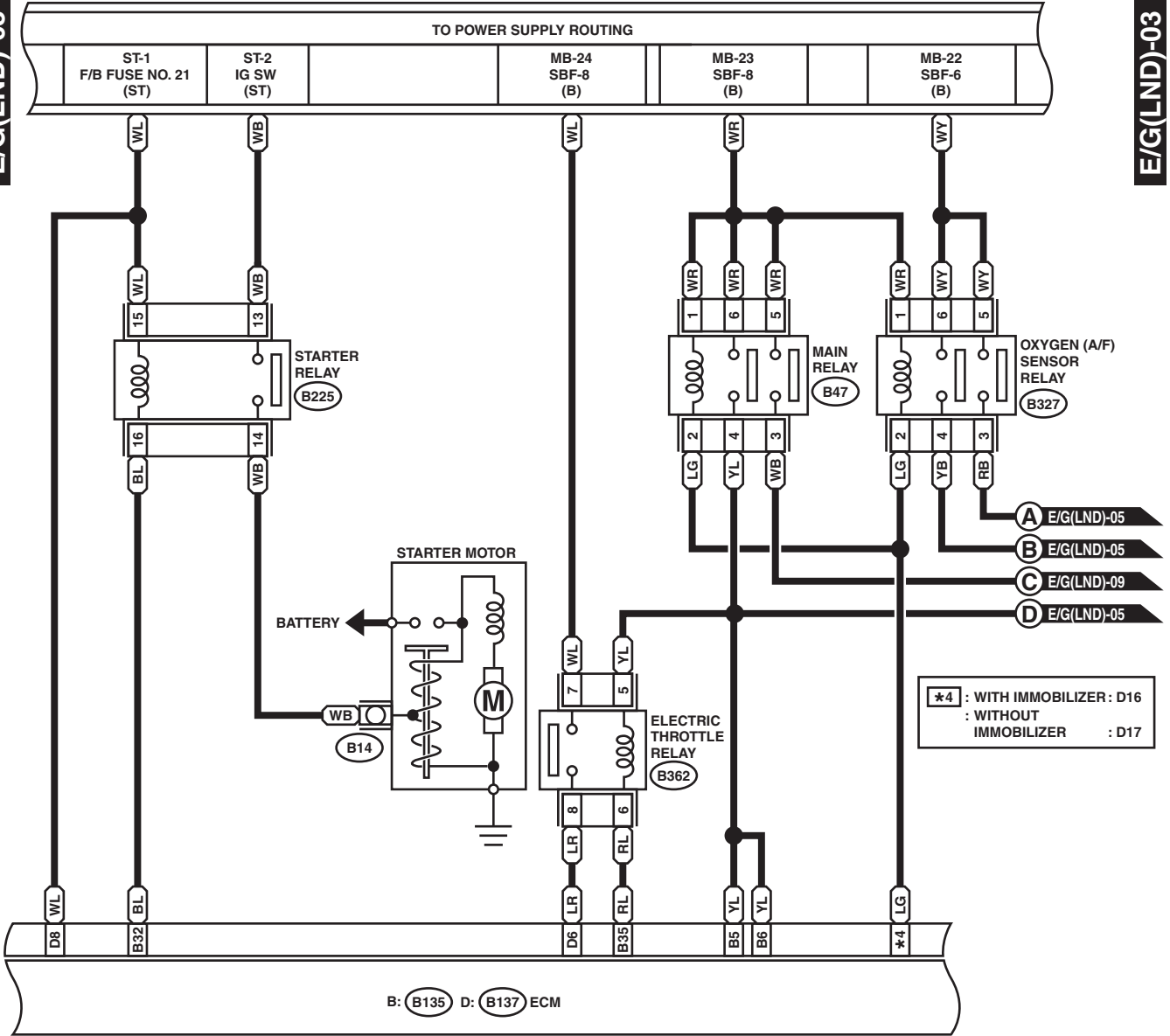
WI-04031

Engine Electrical System

WIRING SYSTEM

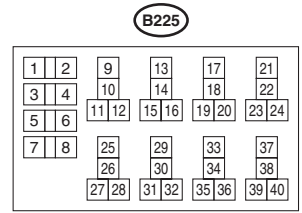
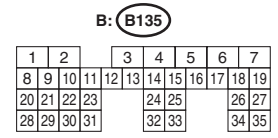
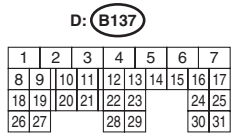
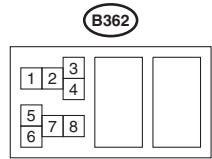
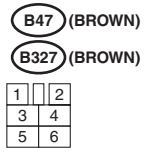
E/G(LND)-03

E/G(LND)-03



- A E/G(LND)-05
- B E/G(LND)-05
- C E/G(LND)-09
- D E/G(LND)-05

★4 : WITH IMMOBILIZER : D16
: WITHOUT IMMOBILIZER : D17



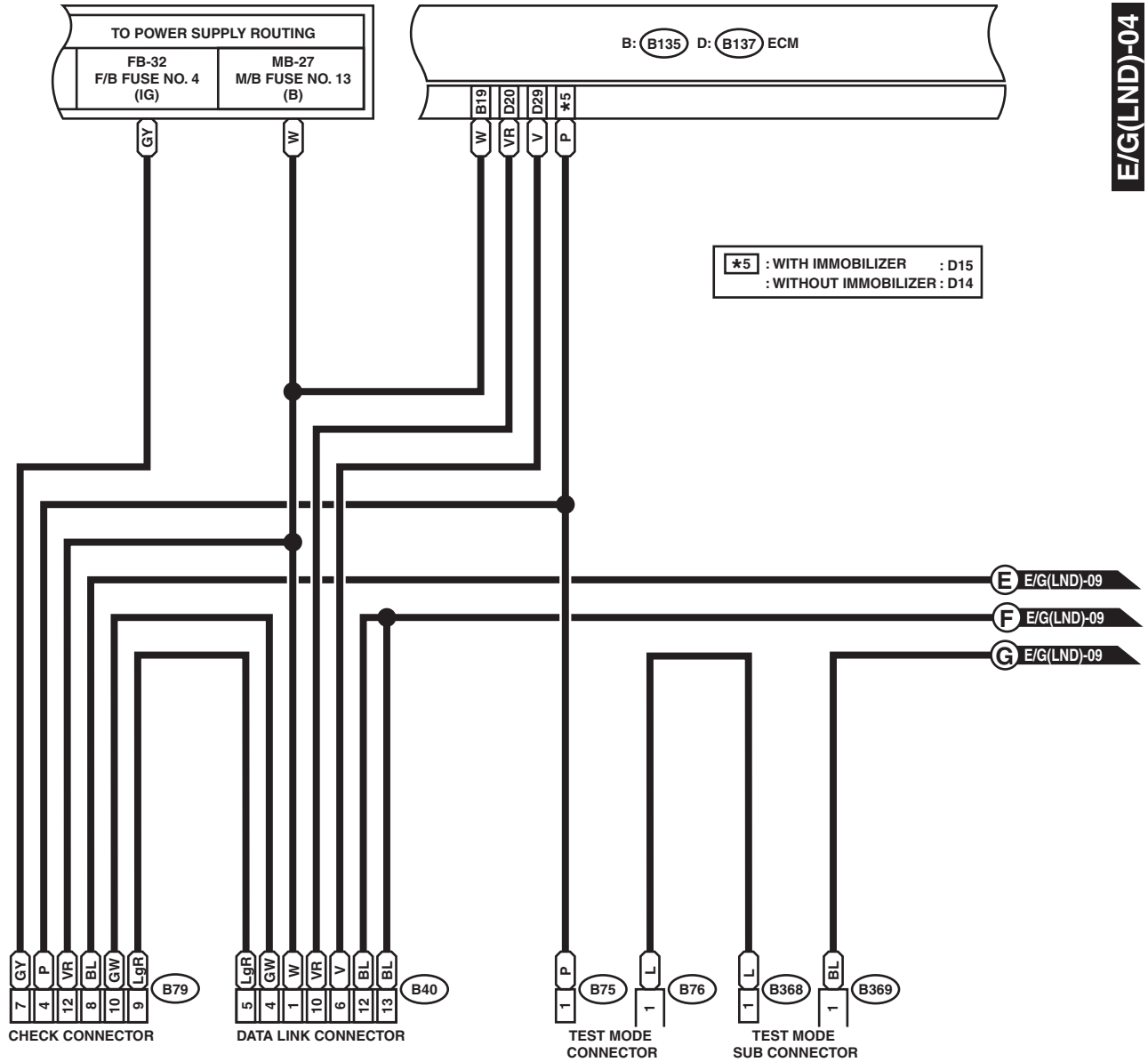
WI-04032

Engine Electrical System

WIRING SYSTEM

E/G(LND)-04

E/G(LND)-04



★5 : WITH IMMOBILIZER : D15
: WITHOUT IMMOBILIZER : D14

B75 (GREEN)

B76 (GREEN)

B79 (GRAY)

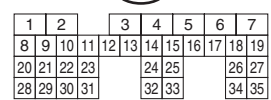
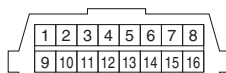
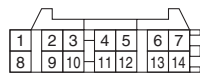
B40

D: B137

B: B135

B368 (GREEN)

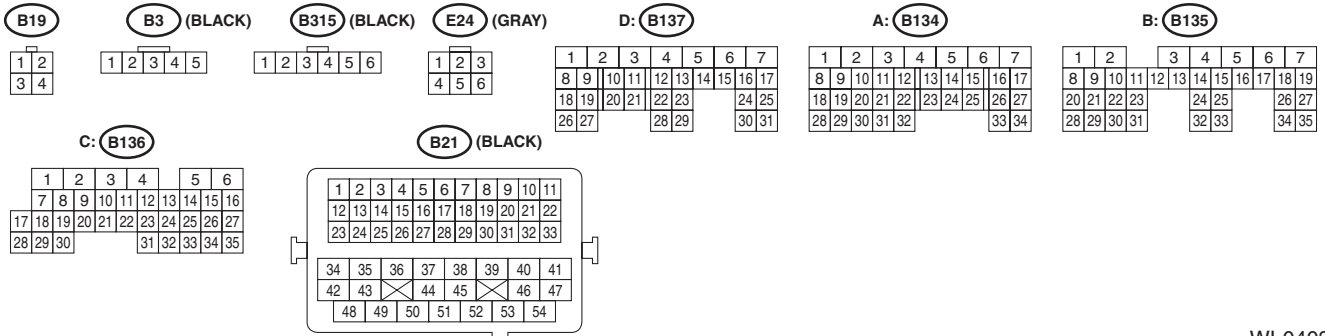
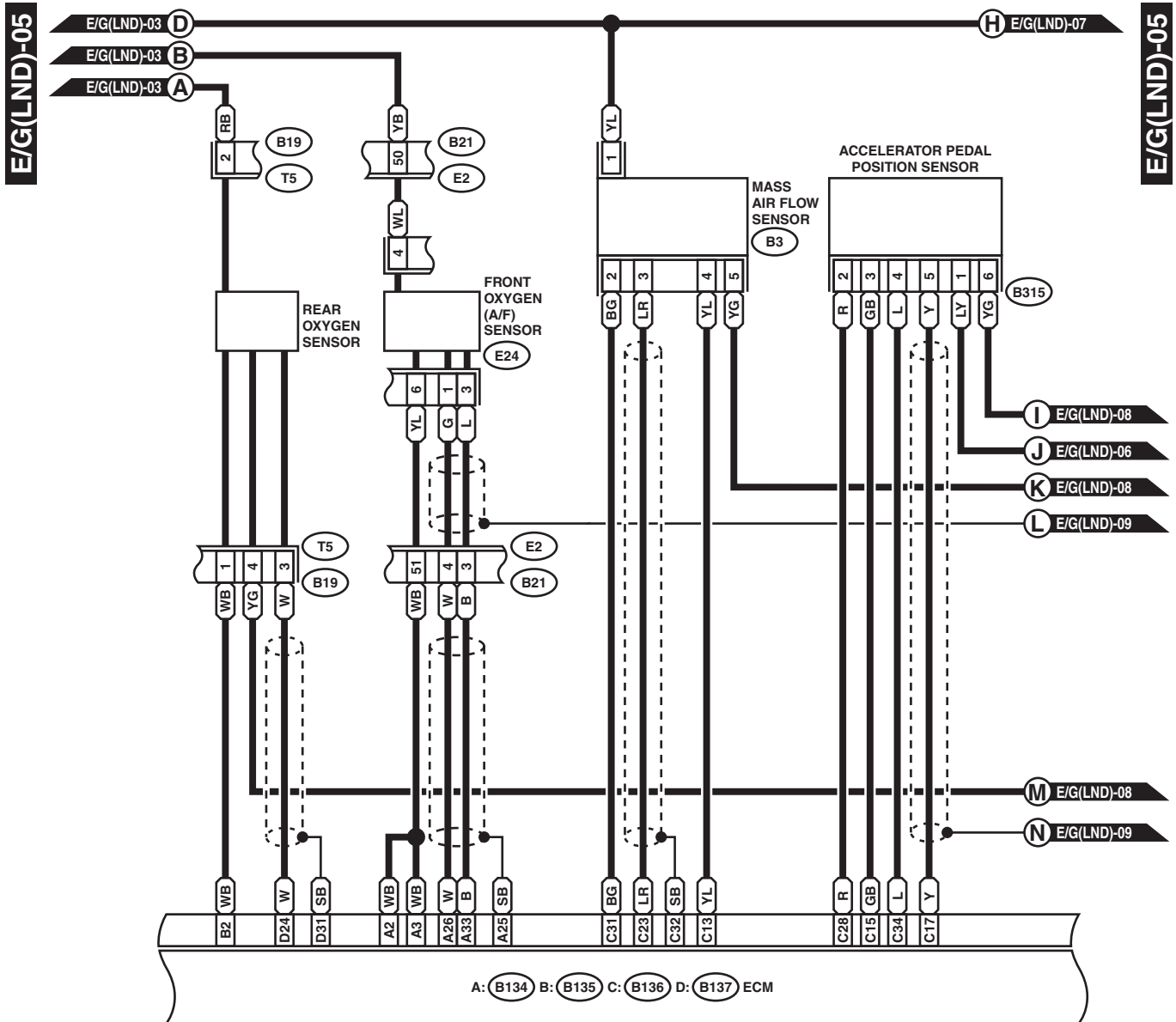
B369 (GREEN)



WI-04033

Engine Electrical System

WIRING SYSTEM



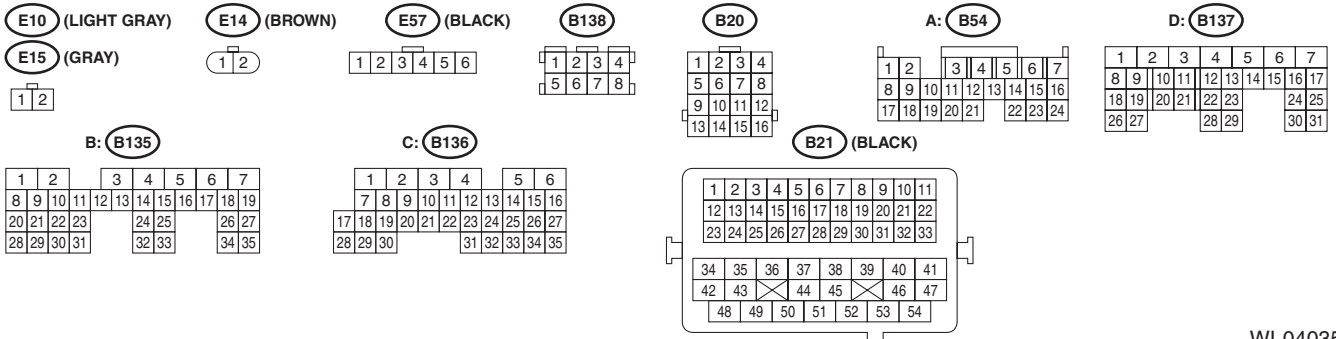
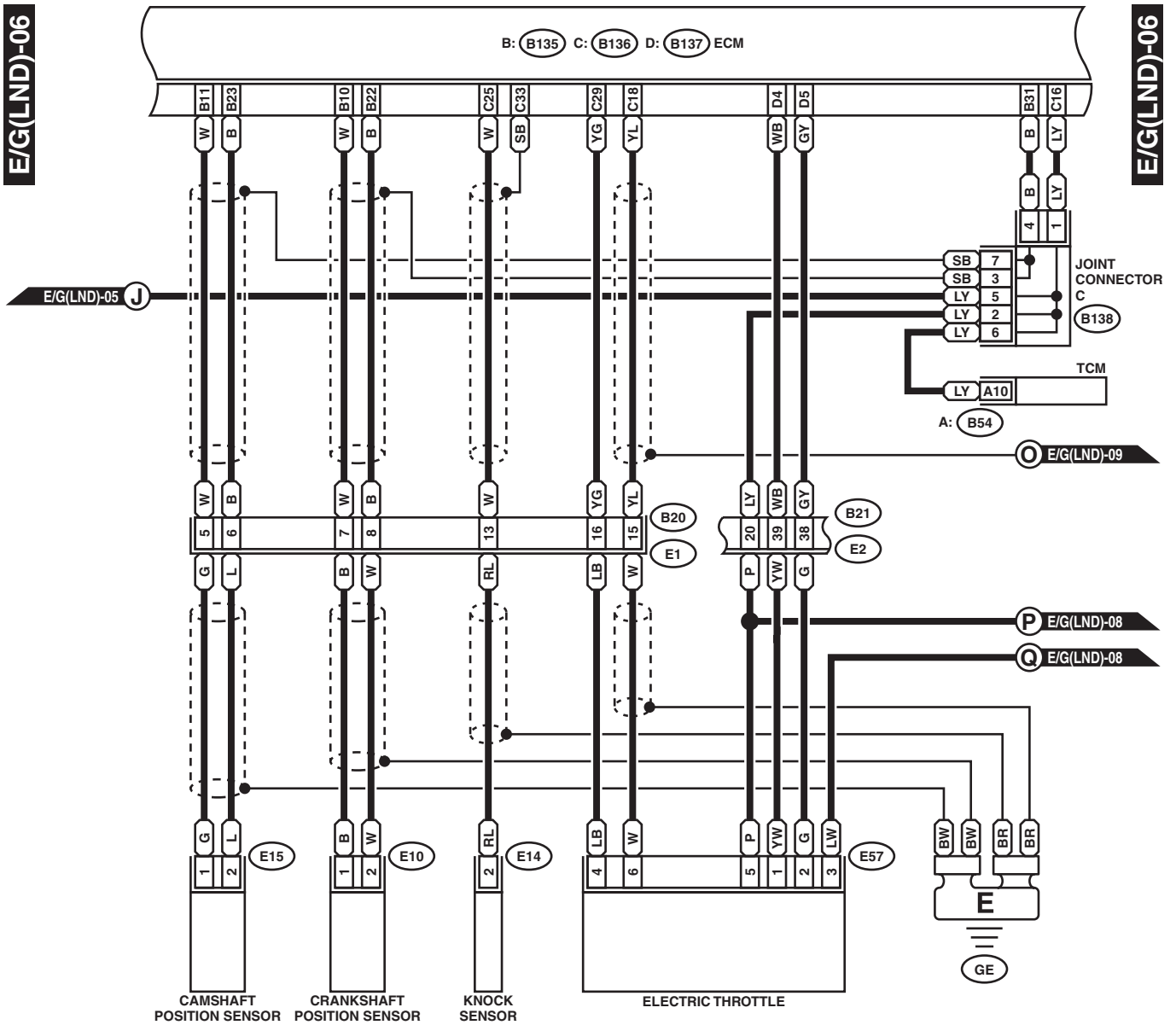
WI-04034

Engine Electrical System

WIRING SYSTEM

E/G(LND)-06

E/G(LND)-06



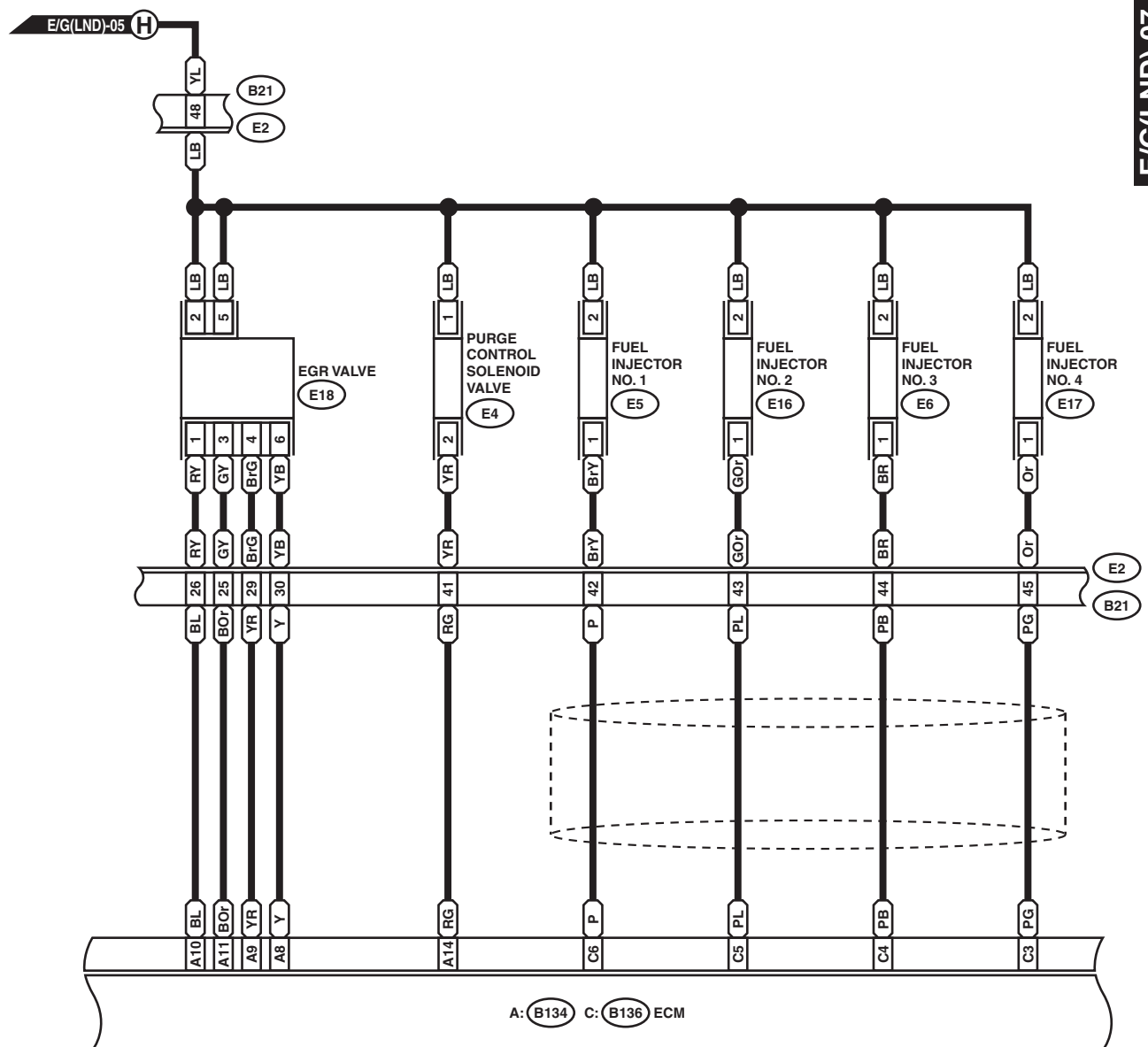
WI-04035

Engine Electrical System

WIRING SYSTEM

E/G(LND)-07

E/G(LND)-07



- E4 (BLUE) (DARK GRAY) E5 E16 (DARK GRAY)
- 1 2 (DARK GRAY) E6 E17 (DARK GRAY)
- B21 (BLACK) 1 2

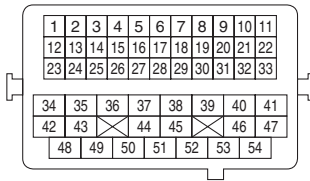
- E18 (DARK GRAY)
- 1 2 3
- 4 5 6

A: B134

1	2	3	4	5	6	7
8	9	10	11	12	13	14
15	16	17	18	19	20	21
22	23	24	25	26	27	
28	29	30	31	32	33	34

C: B136

1	2	3	4	5	6
7	8	9	10	11	12
13	14	15	16	17	18
19	20	21	22	23	24
25	26	27	28	29	30
31	32	33	34	35	



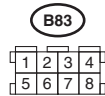
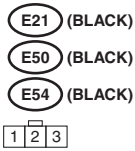
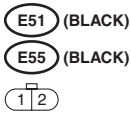
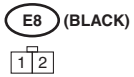
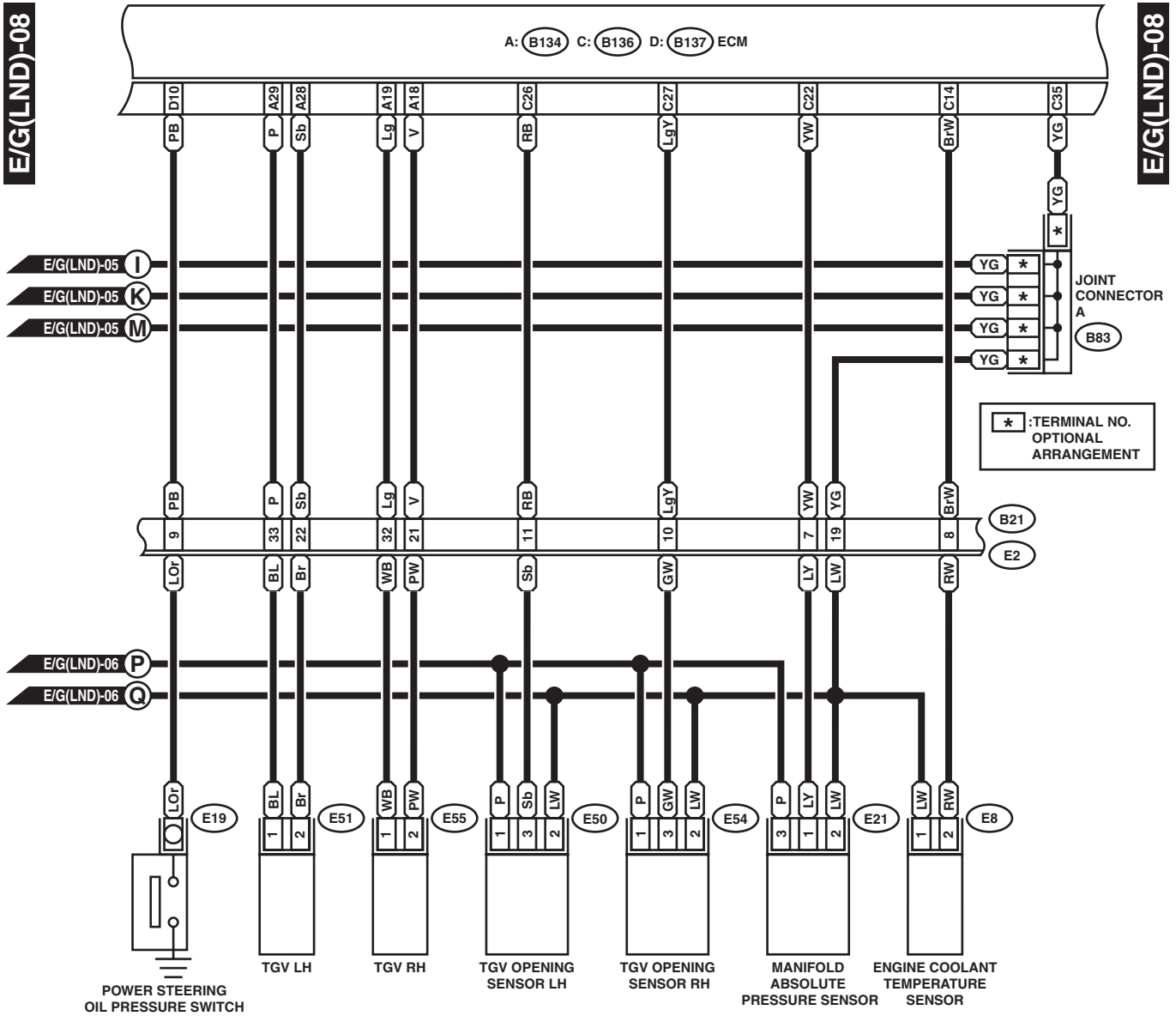
WI-04036

Engine Electrical System

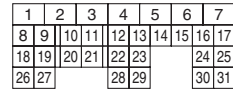
WIRING SYSTEM

E/G(LND)-08

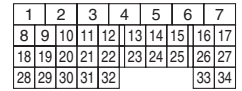
E/G(LND)-08



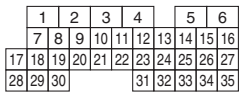
D: **B137**



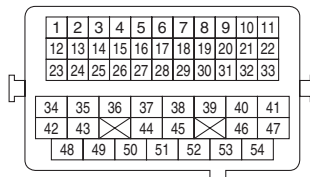
A: **B134**



C: **B136**



B21 (BLACK)



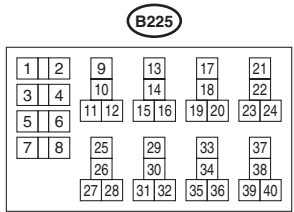
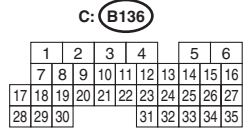
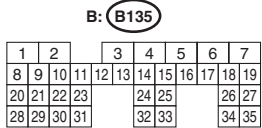
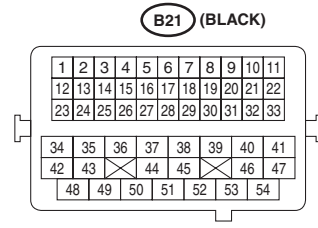
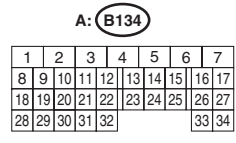
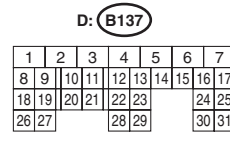
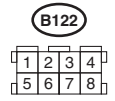
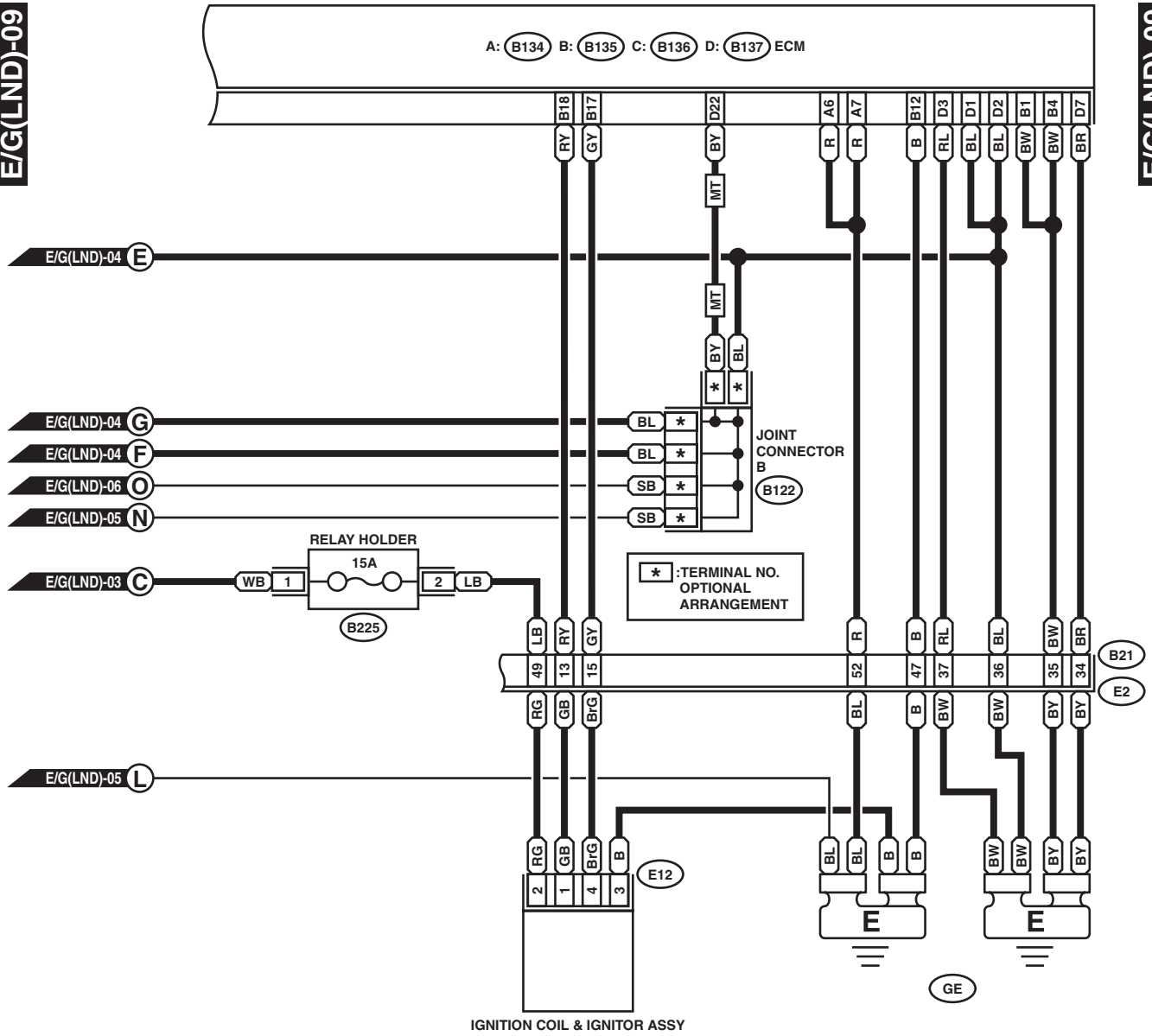
WI-04037

Engine Electrical System

WIRING SYSTEM

E/G(LND)-09

E/G(LND)-09

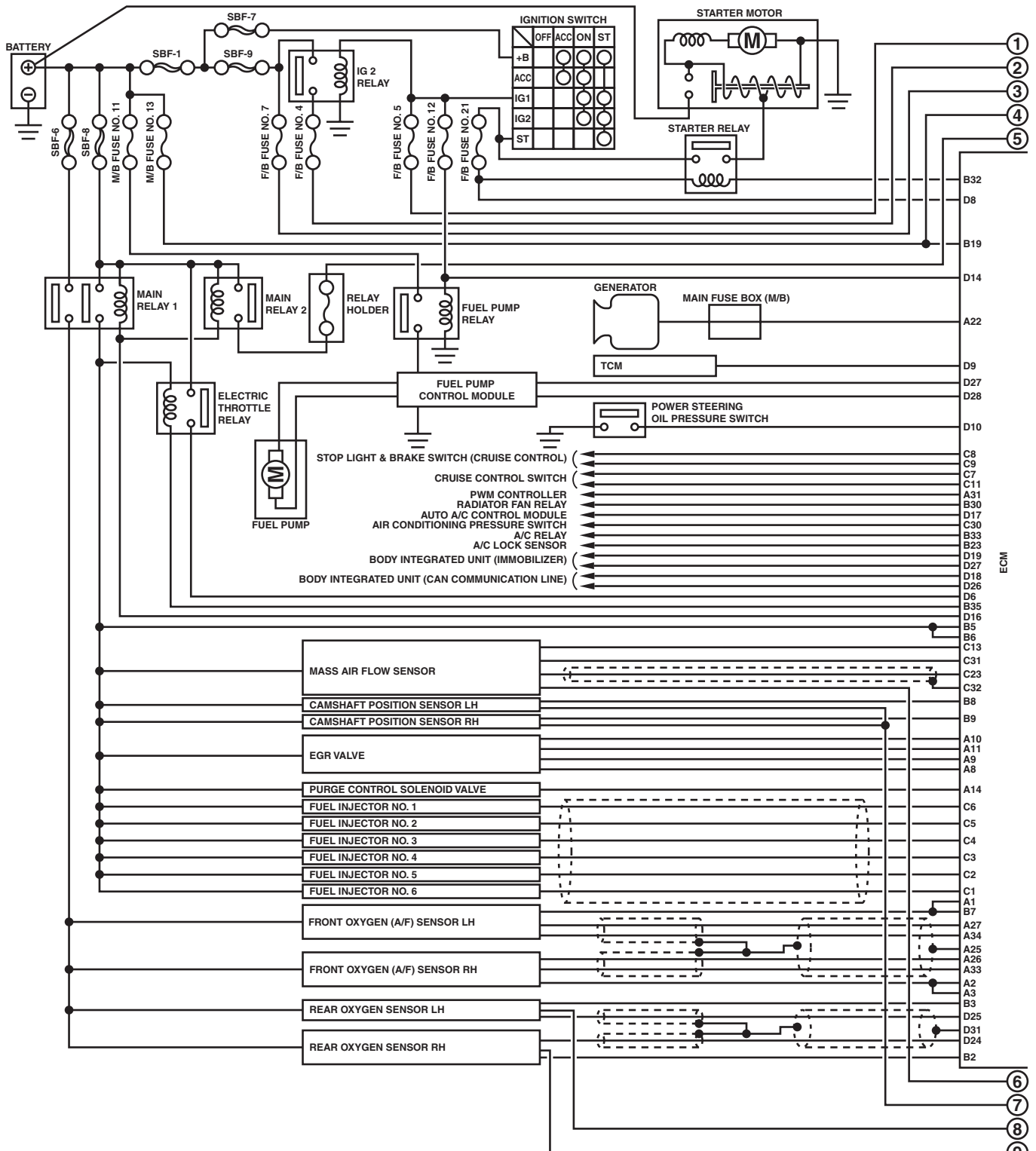


WI-04038

Engine Electrical System

WIRING SYSTEM

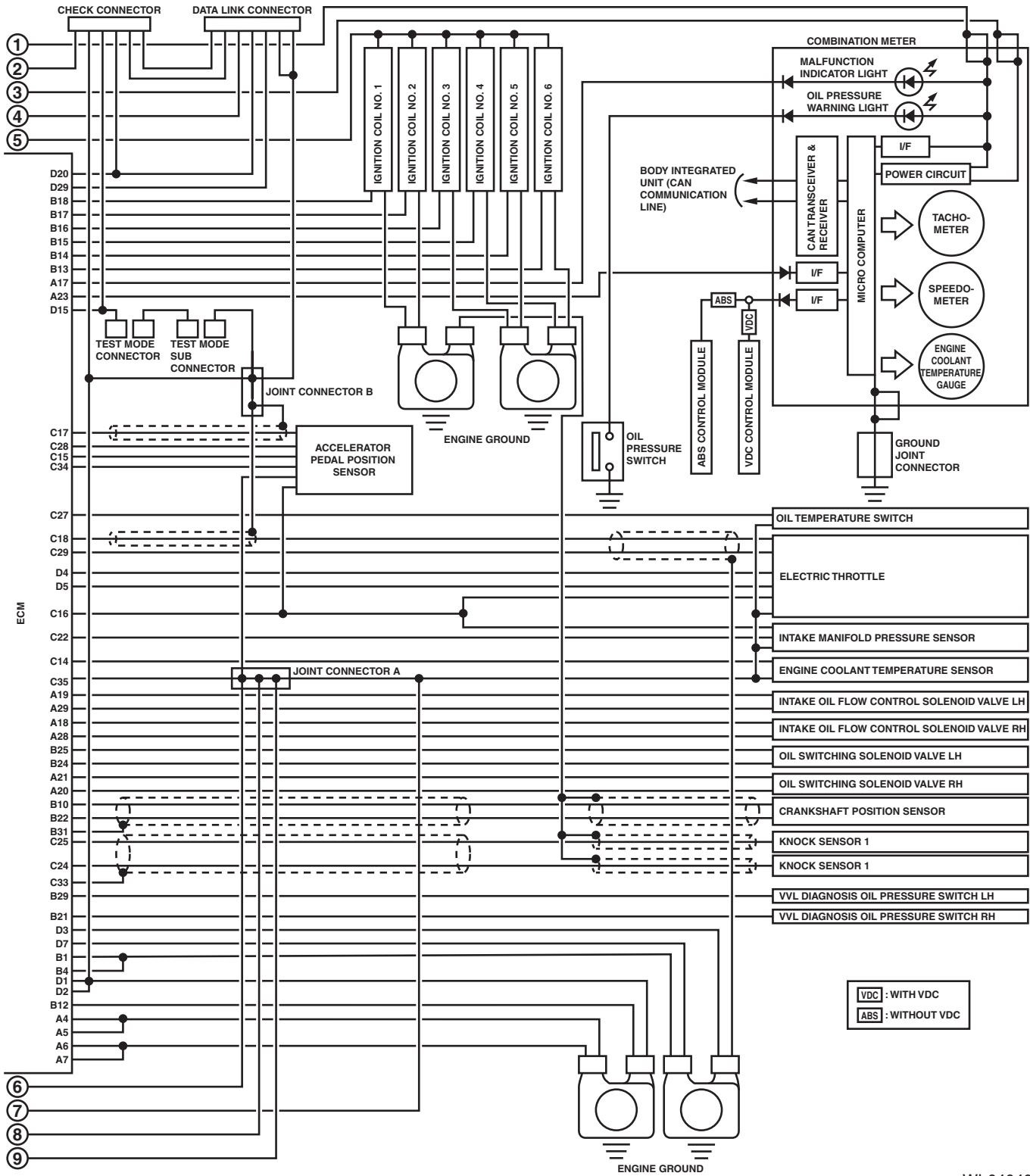
3. LHD 3.0 L MODEL



WI-04039

Engine Electrical System

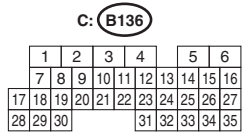
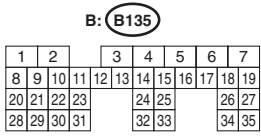
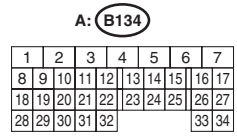
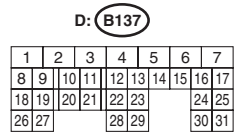
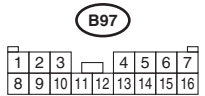
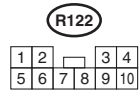
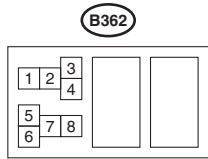
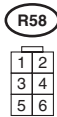
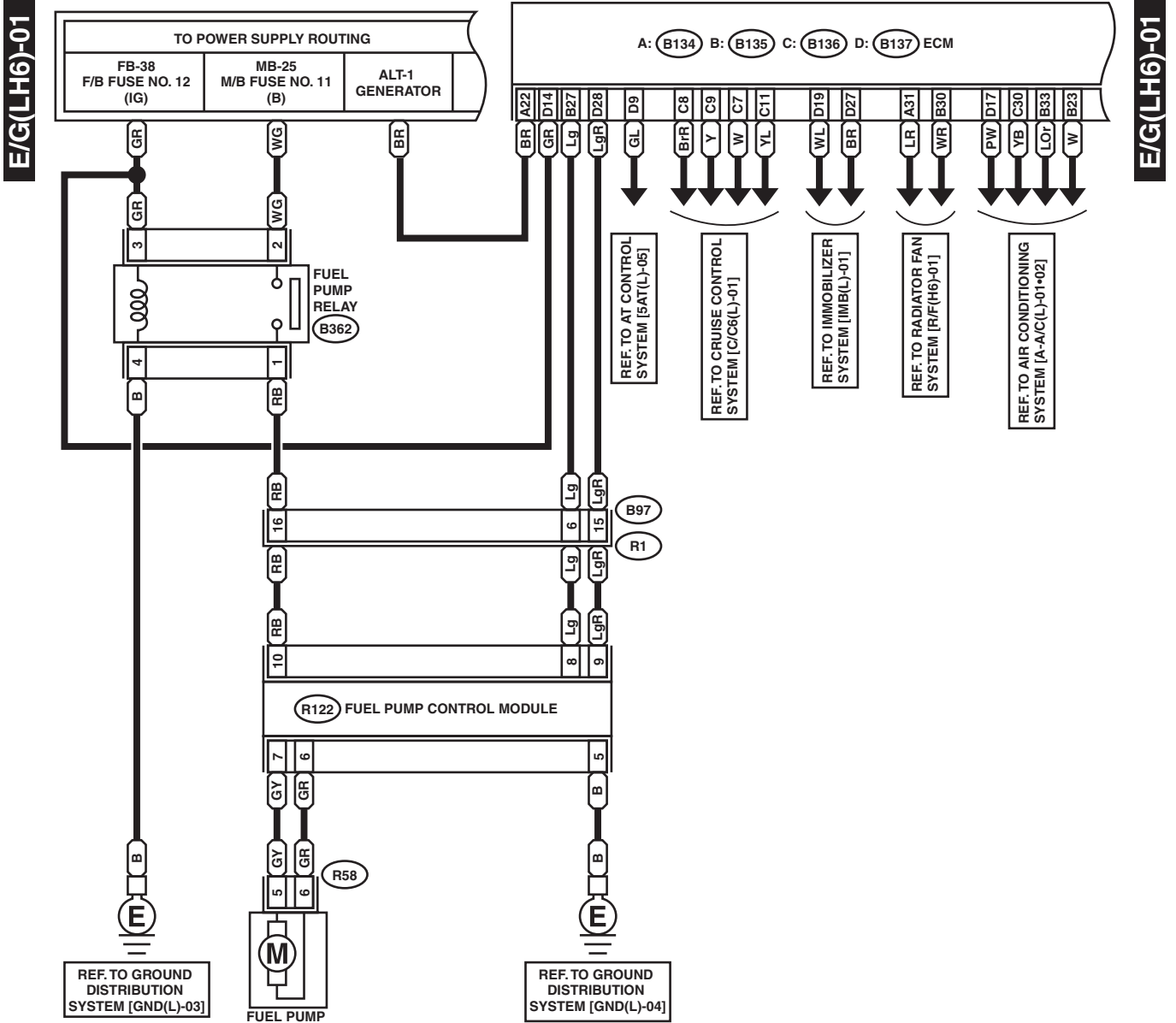
WIRING SYSTEM



WI-04040

Engine Electrical System

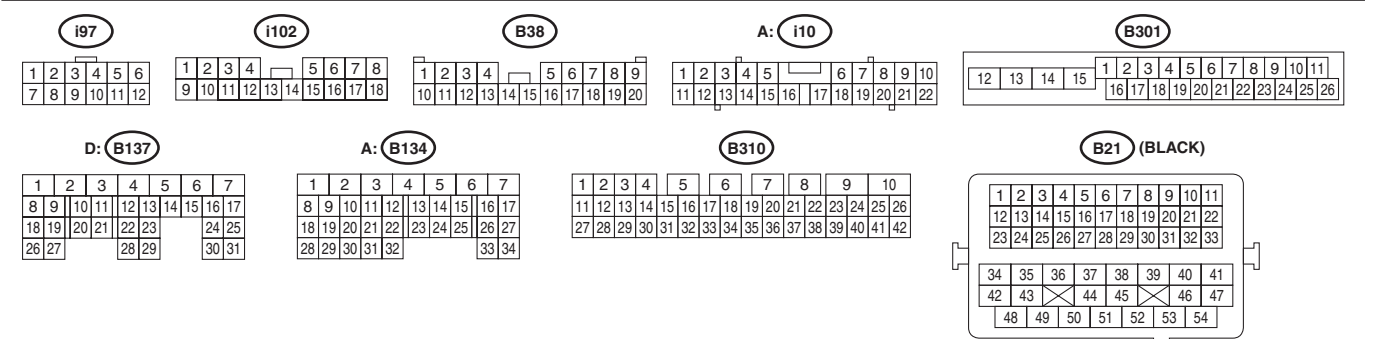
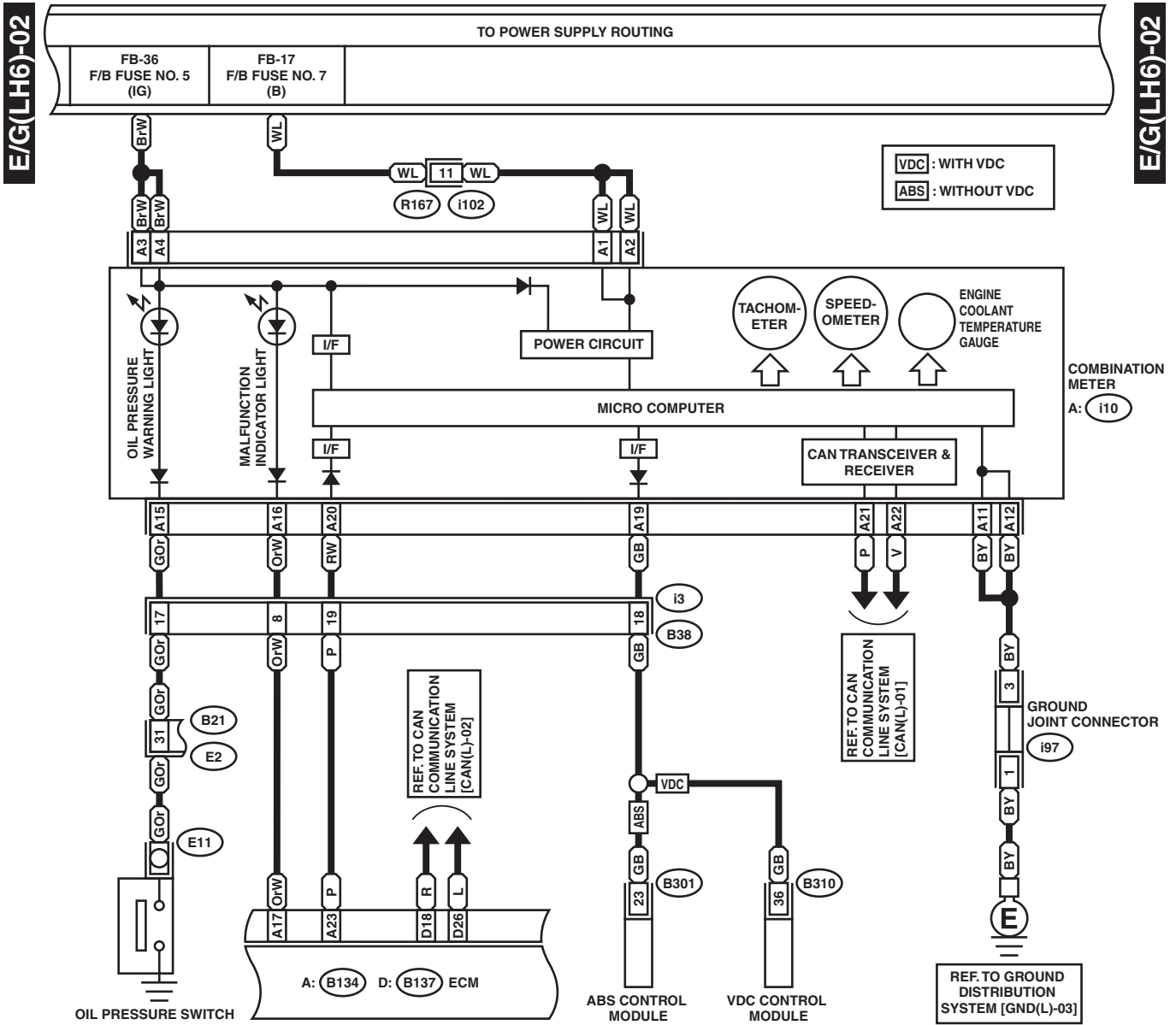
WIRING SYSTEM



WI-0401

Engine Electrical System

WIRING SYSTEM



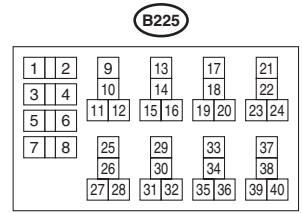
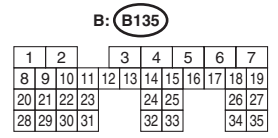
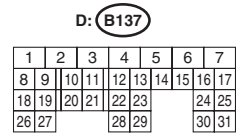
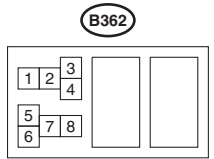
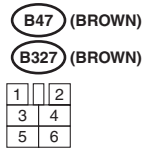
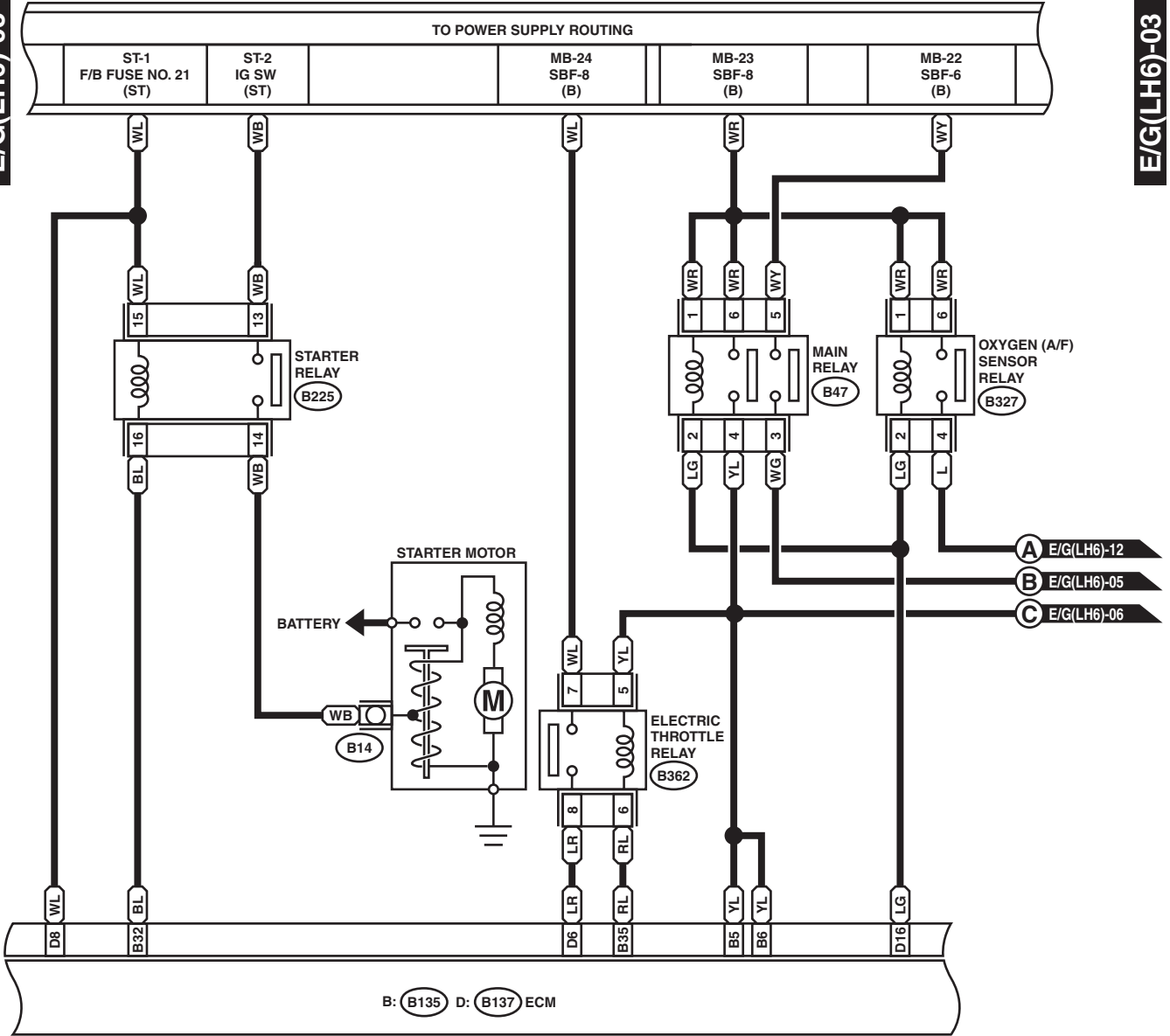
WI-04042

Engine Electrical System

WIRING SYSTEM

E/G(LH6)-03

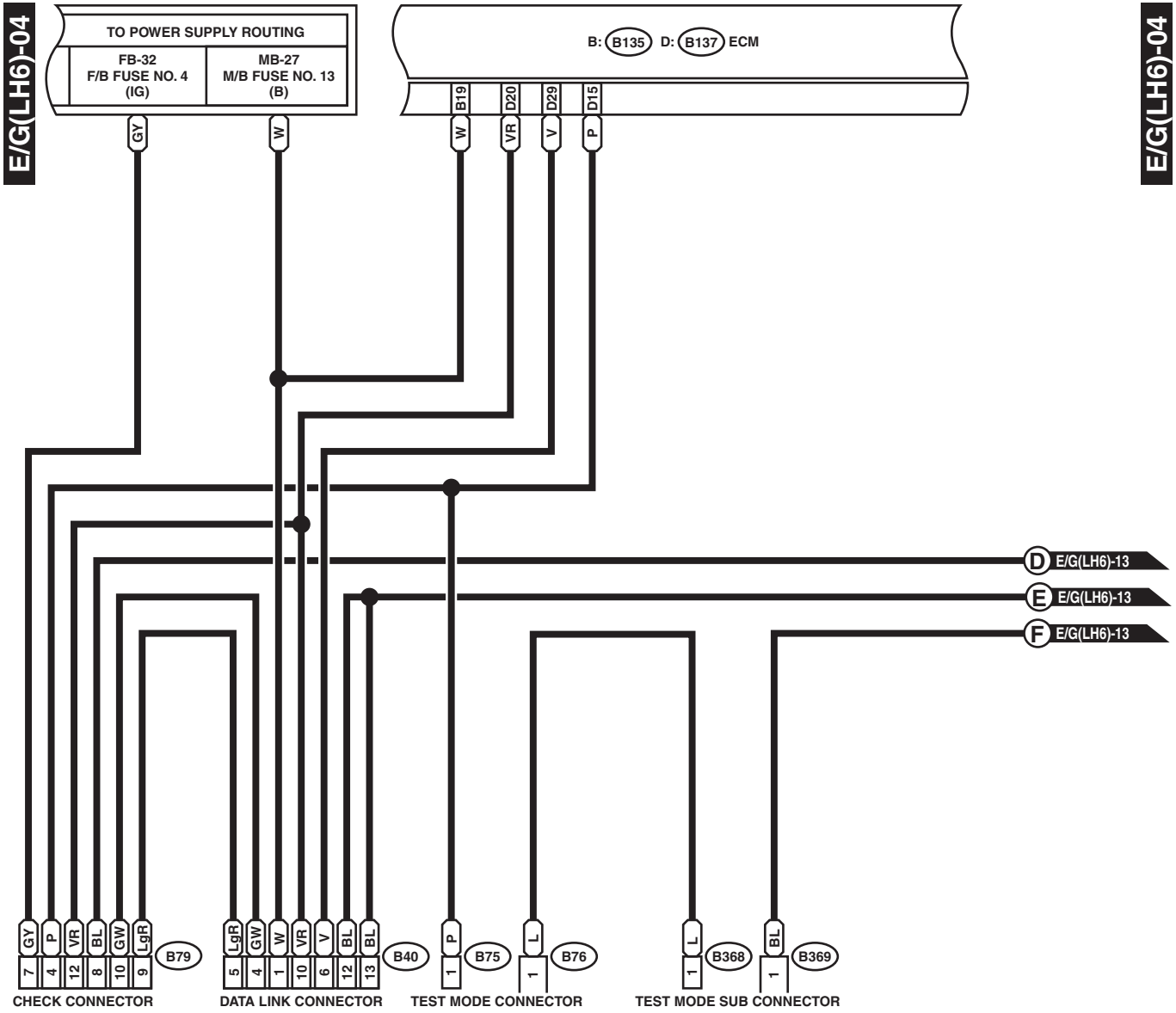
E/G(LH6)-03



WI-04043

Engine Electrical System

WIRING SYSTEM



B75 (GREEN)

B368 (GREEN)

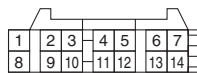


B76 (GREEN)

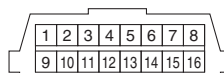
B369 (GREEN)



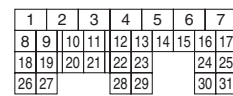
B79 (GRAY)



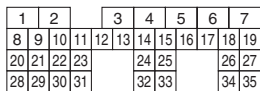
B40



D: B137



B: B135



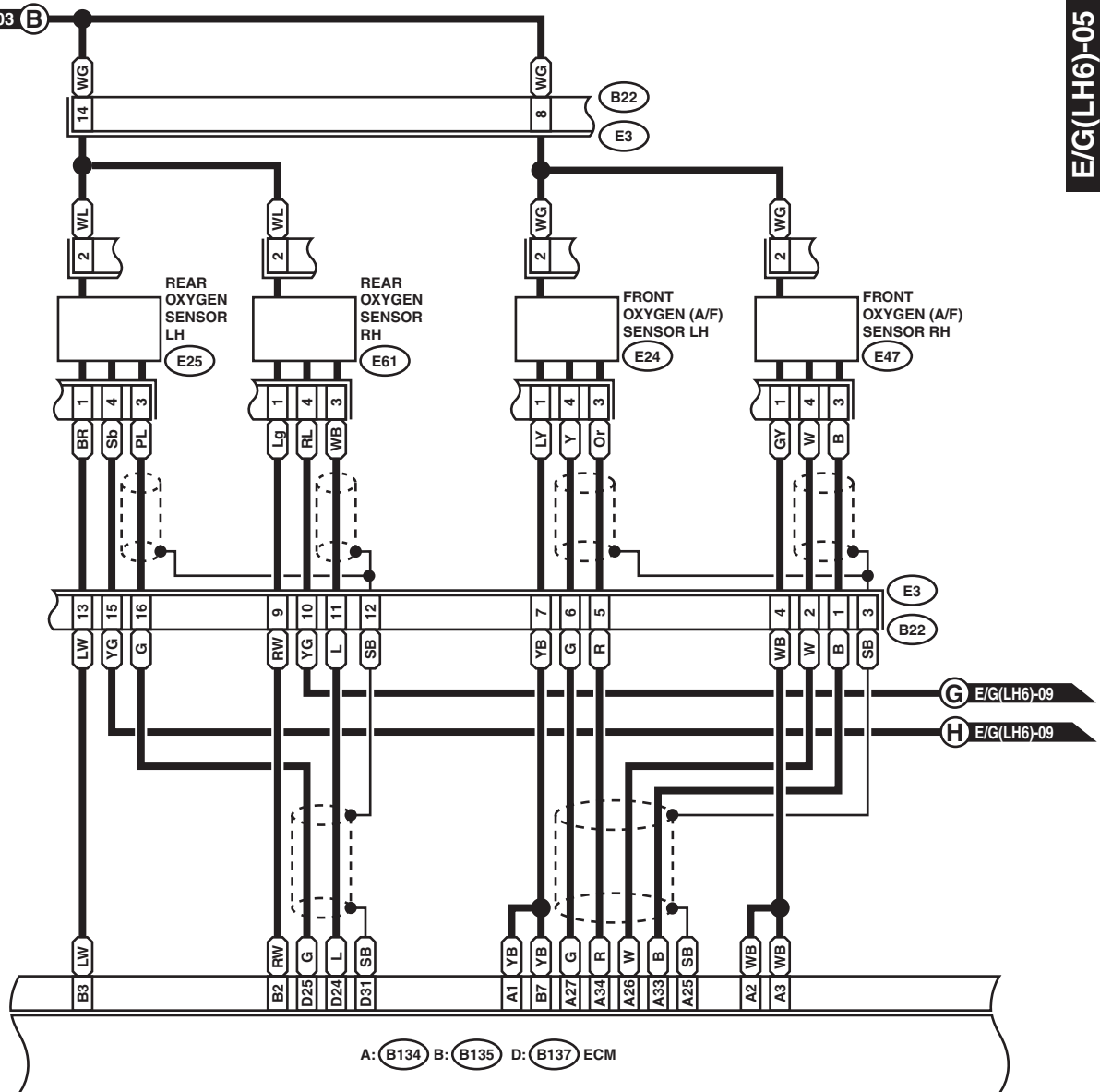
WI-04044

Engine Electrical System

WIRING SYSTEM

E/G(LH6)-05

E/G(LH6)-05



- E24 (BLACK)
 - E25 (DARK GRAY)
 - E47 (BLACK)
 - E61 (DARK GRAY)
- | | |
|---|---|
| 1 | 2 |
| 3 | 4 |

B22

1	2	3	4
5	6	7	8
9	10	11	12
13	14	15	16

D: B137

1	2	3	4	5	6	7
8	9	10	11	12	13	14
15	16	17	18	19	20	21
22	23	24	25	26	27	28
29	30	31	32	33	34	35

A: B134

1	2	3	4	5	6	7
8	9	10	11	12	13	14
15	16	17	18	19	20	21
22	23	24	25	26	27	28
29	30	31	32	33	34	35

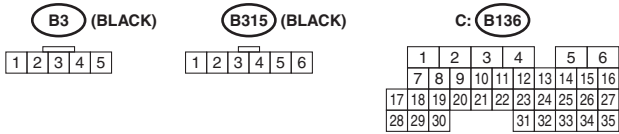
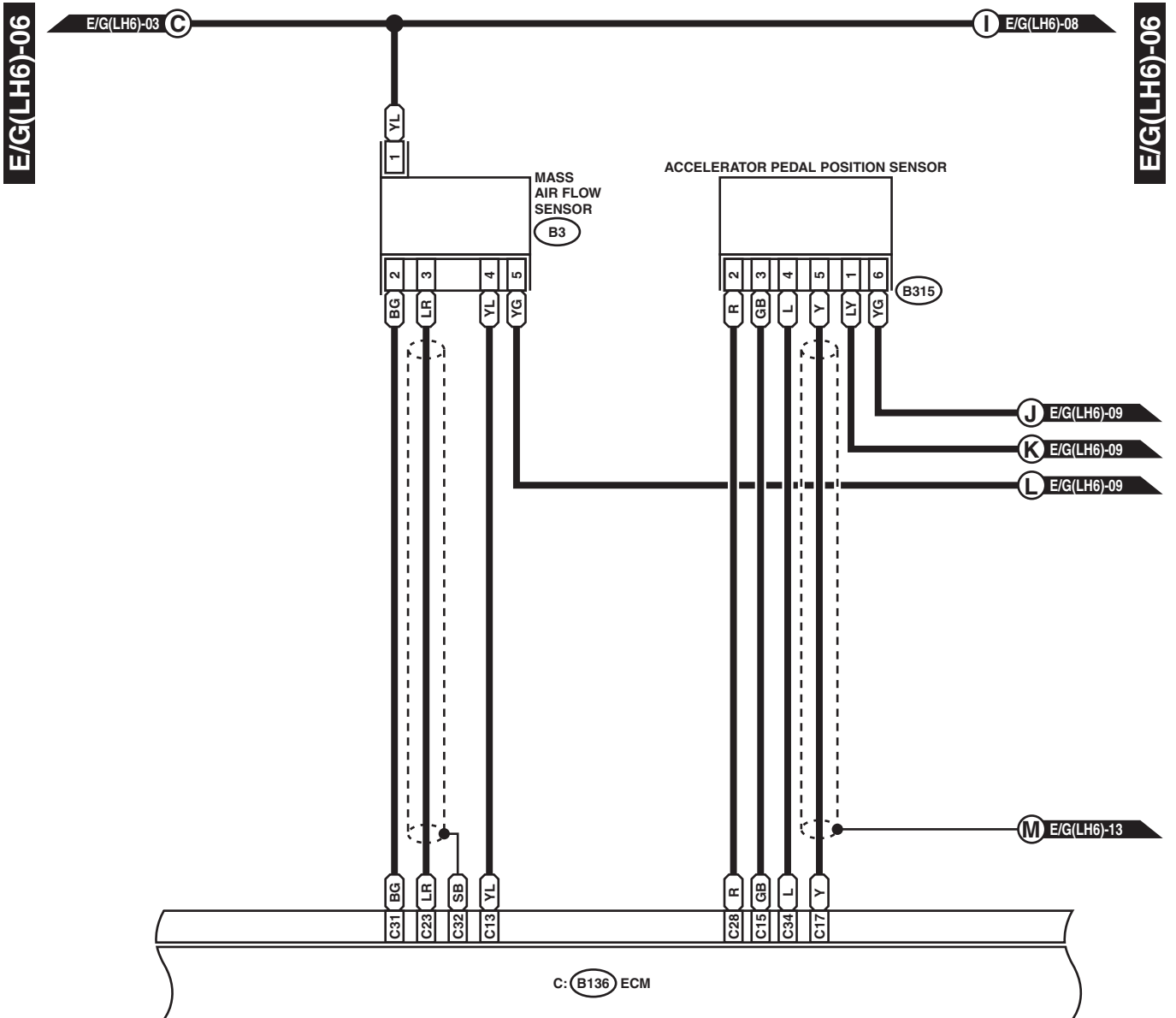
B: B135

1	2	3	4	5	6	7
8	9	10	11	12	13	14
15	16	17	18	19	20	21
22	23	24	25	26	27	28
29	30	31	32	33	34	35

WI-04045

Engine Electrical System

WIRING SYSTEM



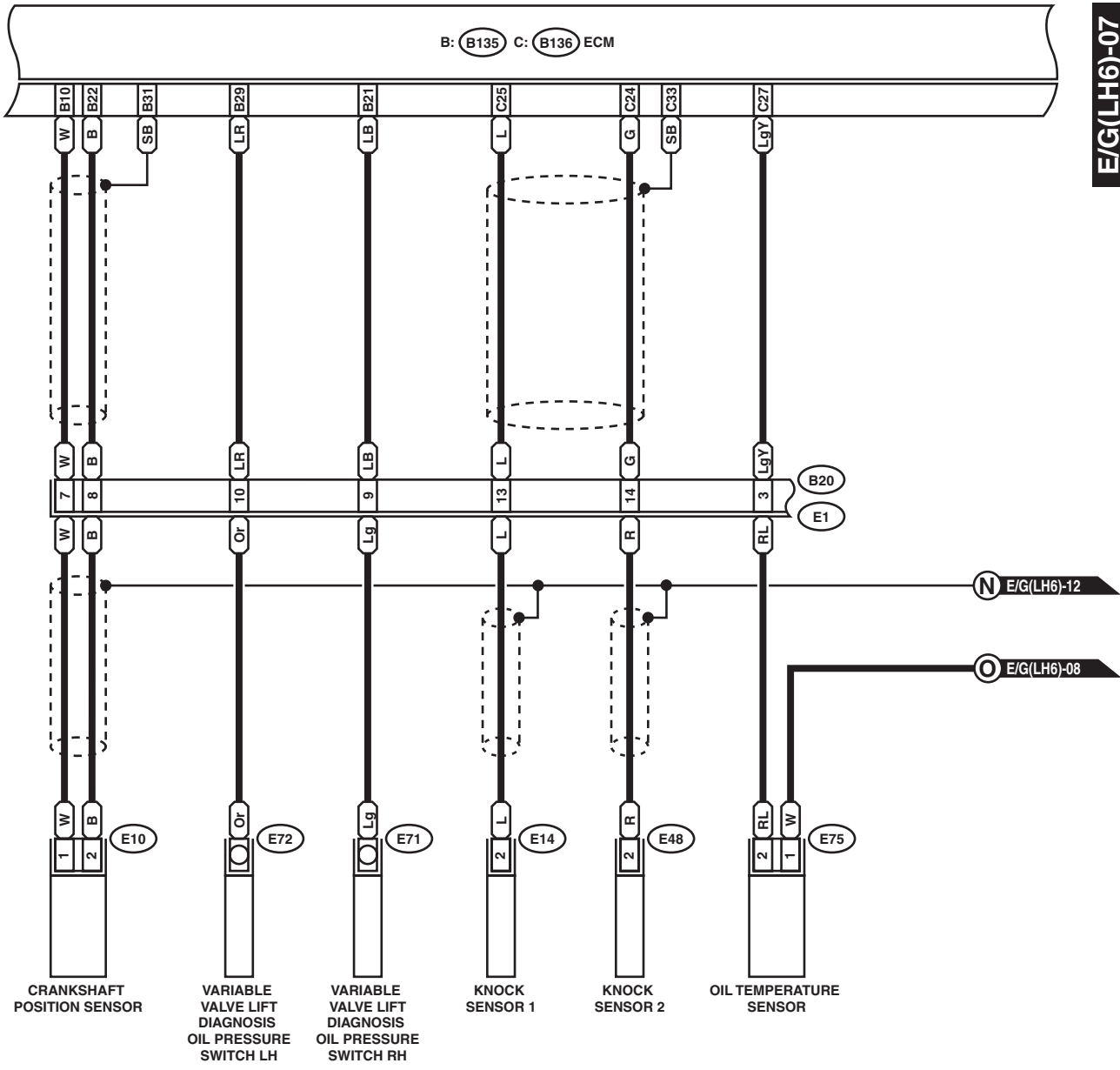
WI-04046

Engine Electrical System

WIRING SYSTEM

E/G(LH6)-07

E/G(LH6)-07



(E10) (DARK GRAY)

(E14) (GREEN)

(E48) (GREEN)

(E75) (BLACK)

1 2

(B20)

1	2	3	4
5	6	7	8
9	10	11	12
13	14	15	16

B: (B135)

1	2	3	4	5	6	7
8	9	10	11	12	13	14
15	16	17	18	19	20	21
22	23	24	25	26	27	28
29	30	31	32	33	34	35

C: (B136)

1	2	3	4	5	6
7	8	9	10	11	12
13	14	15	16	17	18
19	20	21	22	23	24
25	26	27	28	29	30
31	32	33	34	35	

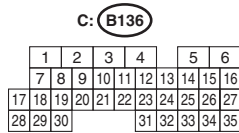
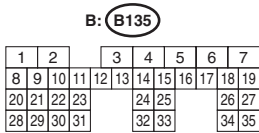
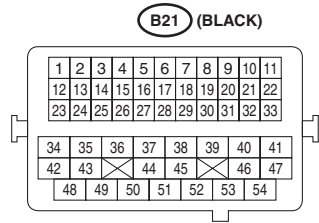
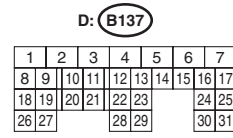
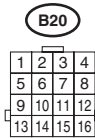
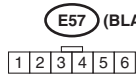
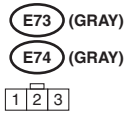
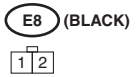
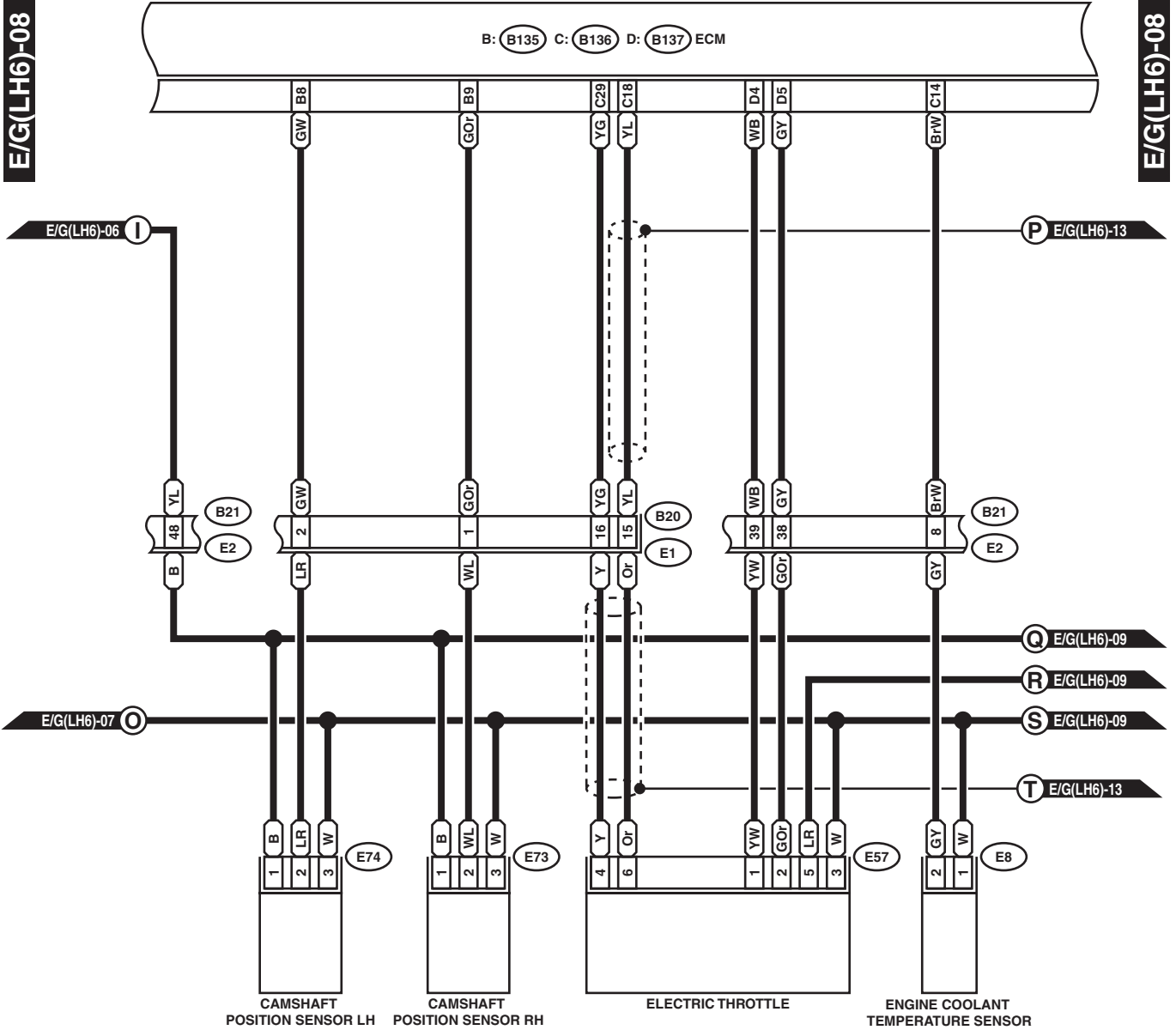
WI-04047

Engine Electrical System

WIRING SYSTEM

E/G(LH6)-08

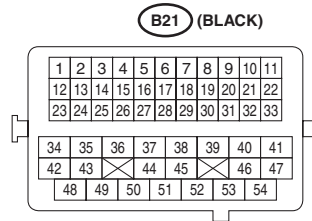
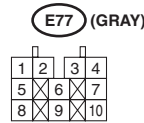
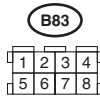
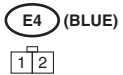
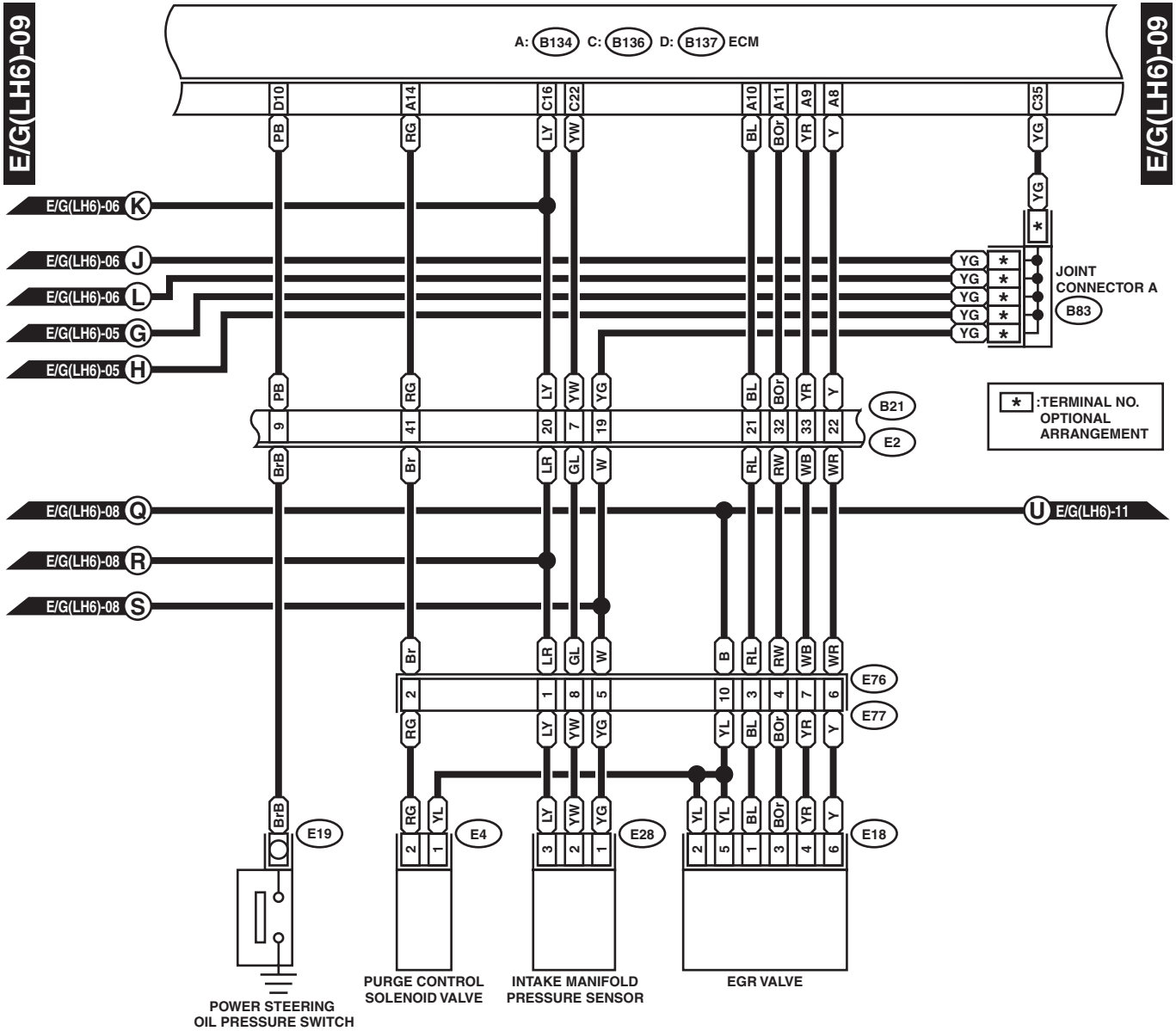
E/G(LH6)-08



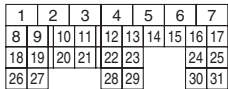
WI-04048

Engine Electrical System

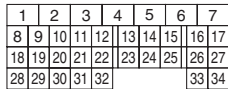
WIRING SYSTEM



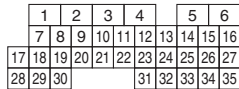
D: B137



A: B134



C: B136



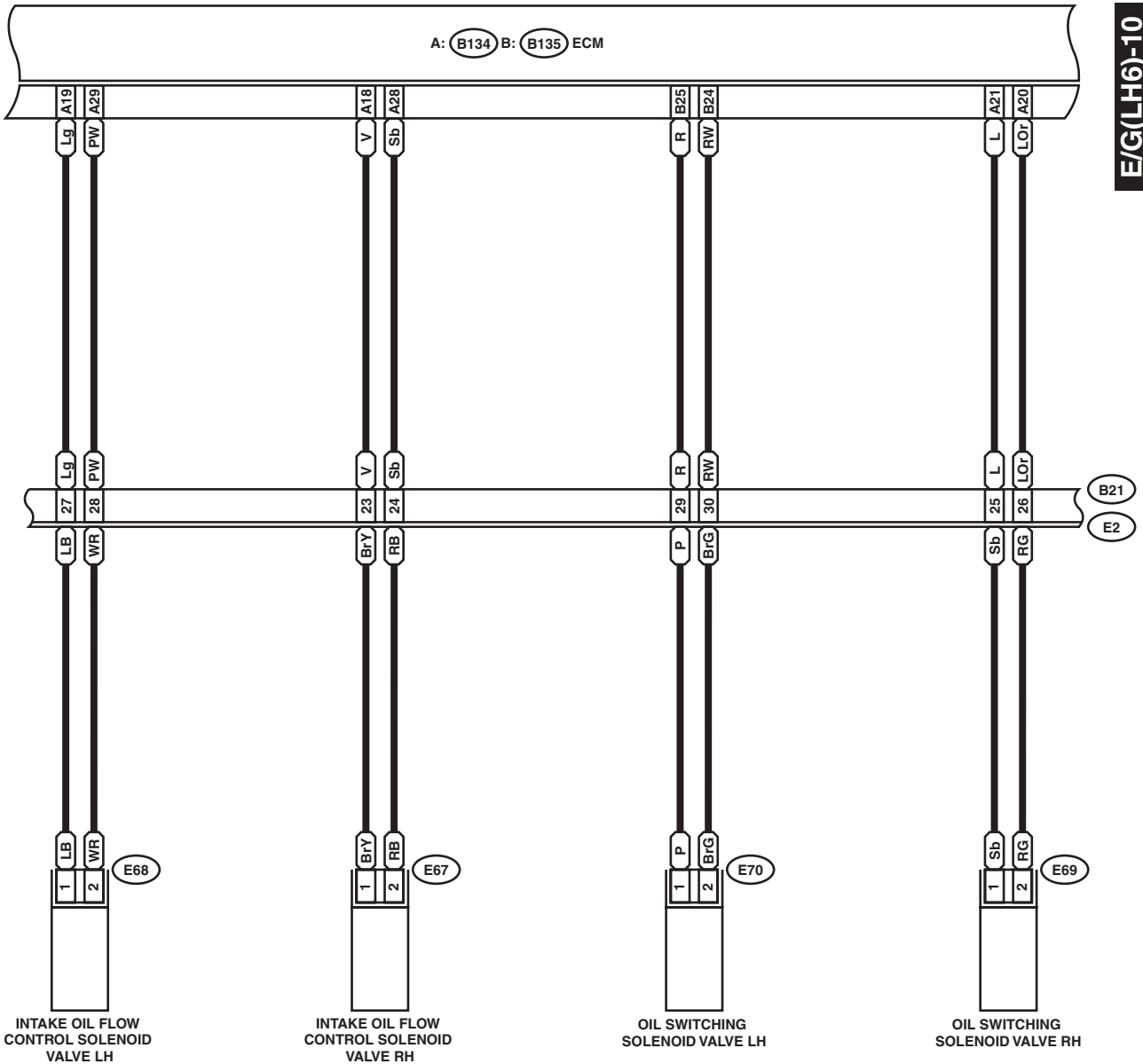
WI-04049

Engine Electrical System

WIRING SYSTEM

E/G(LH6)-10

E/G(LH6)-10



- E67** (BLUE)
 - E68** (BLUE)
 - E69** (BLUE)
 - E70** (BLUE)
- 1 2

A: **B134**

1	2	3	4	5	6	7
8	9	10	11	12	13	14
15	16	17	18	19	20	21
22	23	24	25	26	27	28
29	30	31	32	33	34	

B: **B135**

1	2	3	4	5	6	7
8	9	10	11	12	13	14
15	16	17	18	19	20	21
22	23	24	25	26	27	28
29	30	31	32	33	34	35

B21 (BLACK)

1	2	3	4	5	6	7	8	9	10	11
12	13	14	15	16	17	18	19	20	21	22
23	24	25	26	27	28	29	30	31	32	33
34	35	36	37	38	39	40	41			
42	43	44	45	46	47					
48	49	50	51	52	53	54				

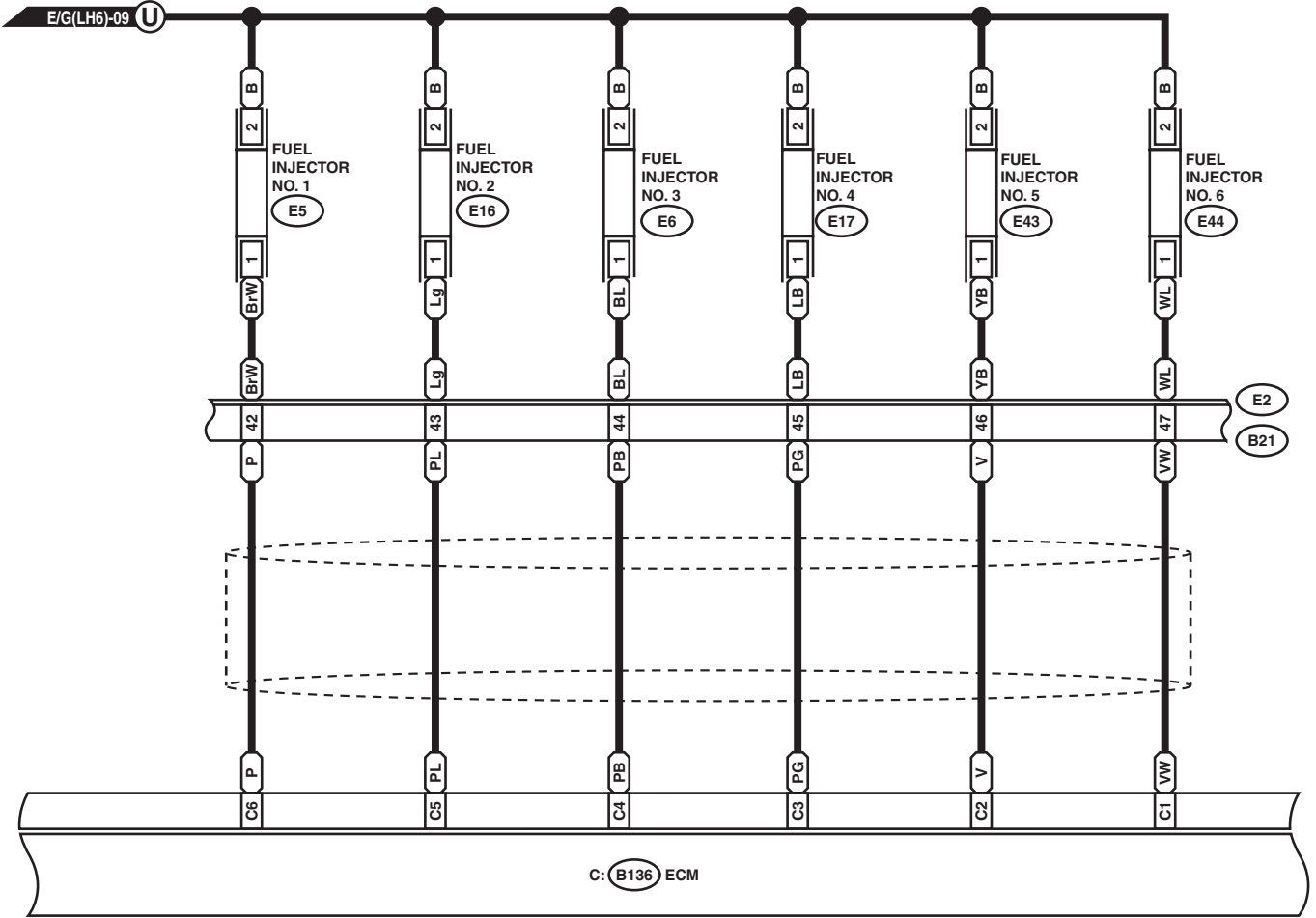
WI-04050

Engine Electrical System

WIRING SYSTEM

E/G(LH6)-11

E/G(LH6)-11



- (DARK GRAY) E5 E17 (DARK GRAY)
- (DARK GRAY) E6 E43 (DARK GRAY)
- (DARK GRAY) E16 E44 (DARK GRAY)

C: (B136)

1	2	3	4	5	6
7	8	9	10	11	12
13	14	15	16	17	18
19	20	21	22	23	24
25	26	27	28	29	30
31	32	33	34	35	

B21 (BLACK)

1	2	3	4	5	6	7	8	9	10	11
12	13	14	15	16	17	18	19	20	21	22
23	24	25	26	27	28	29	30	31	32	33
34	35	36	37	38	39	40	41			
42	43	44	45	46	47					
48	49	50	51	52	53	54				

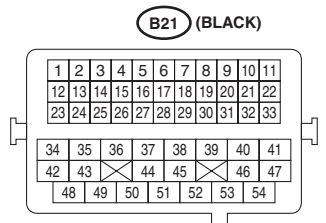
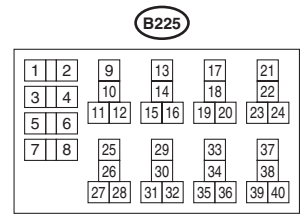
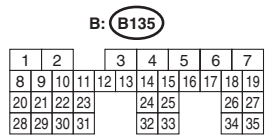
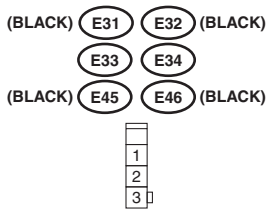
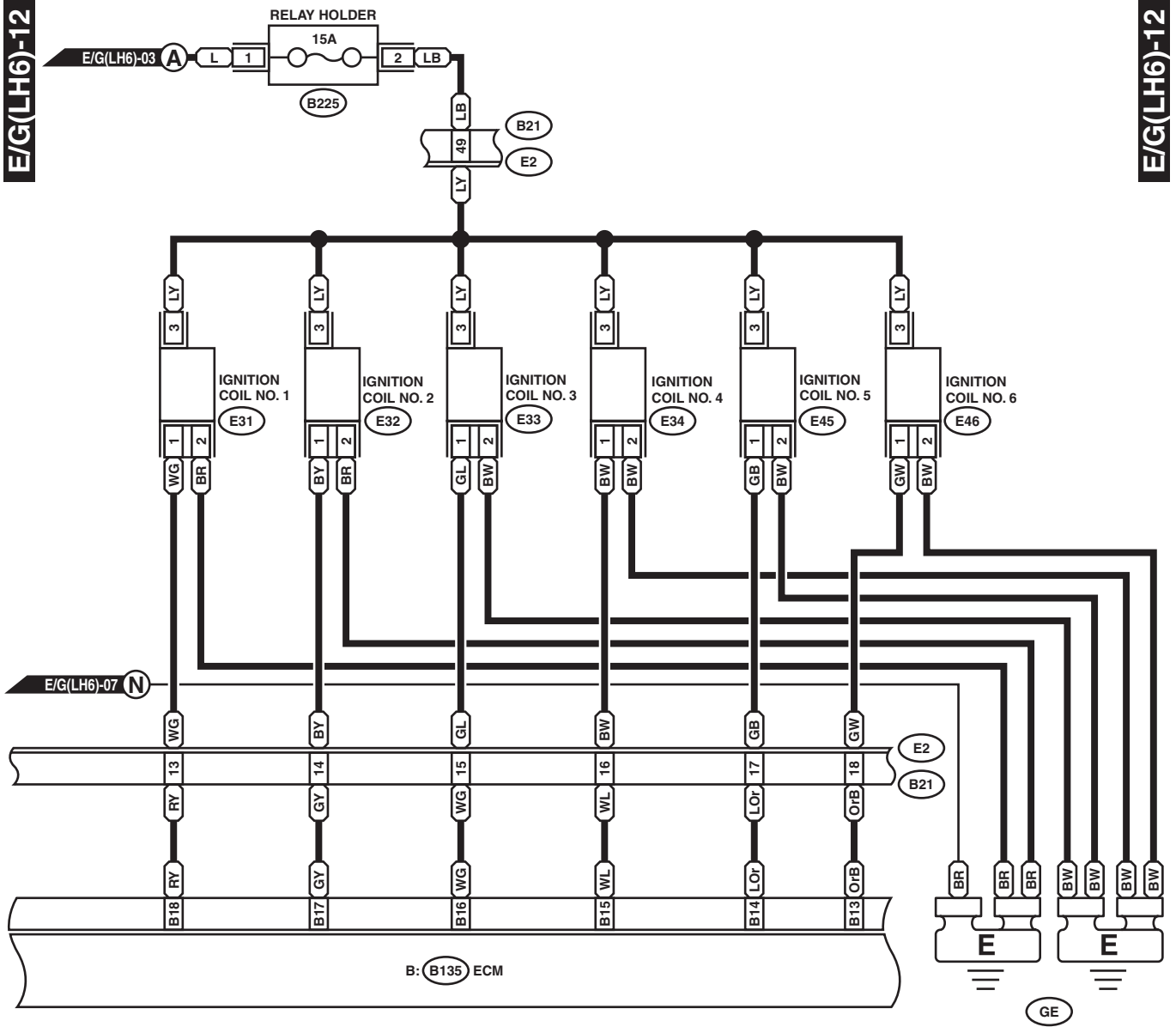
WI-04051

Engine Electrical System

WIRING SYSTEM

E/G(LH6)-12

E/G(LH6)-12



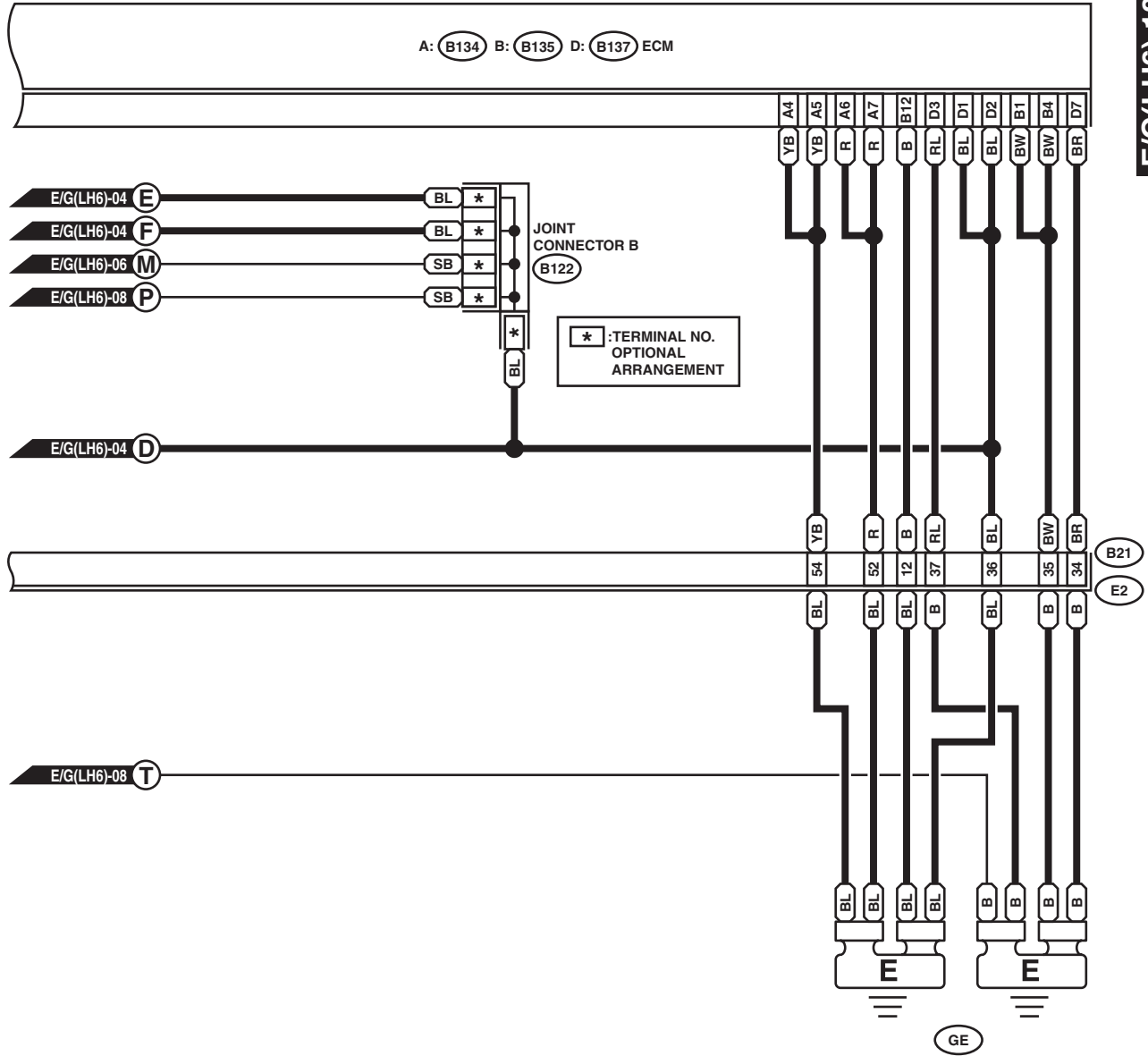
WI-04052

Engine Electrical System

WIRING SYSTEM

E/G(LH6)-13

E/G(LH6)-13



B122

1	2	3	4
5	6	7	8

D: **B137**

1	2	3	4	5	6	7
8	9	10	11	12	13	14
15	16	17	18	19	20	21
22	23	24	25	26	27	28
29	30	31	32	33	34	35

A: **B134**

1	2	3	4	5	6	7
8	9	10	11	12	13	14
15	16	17	18	19	20	21
22	23	24	25	26	27	28
29	30	31	32	33	34	35

B: **B135**

1	2	3	4	5	6	7
8	9	10	11	12	13	14
15	16	17	18	19	20	21
22	23	24	25	26	27	28
29	30	31	32	33	34	35

B21 (BLACK)

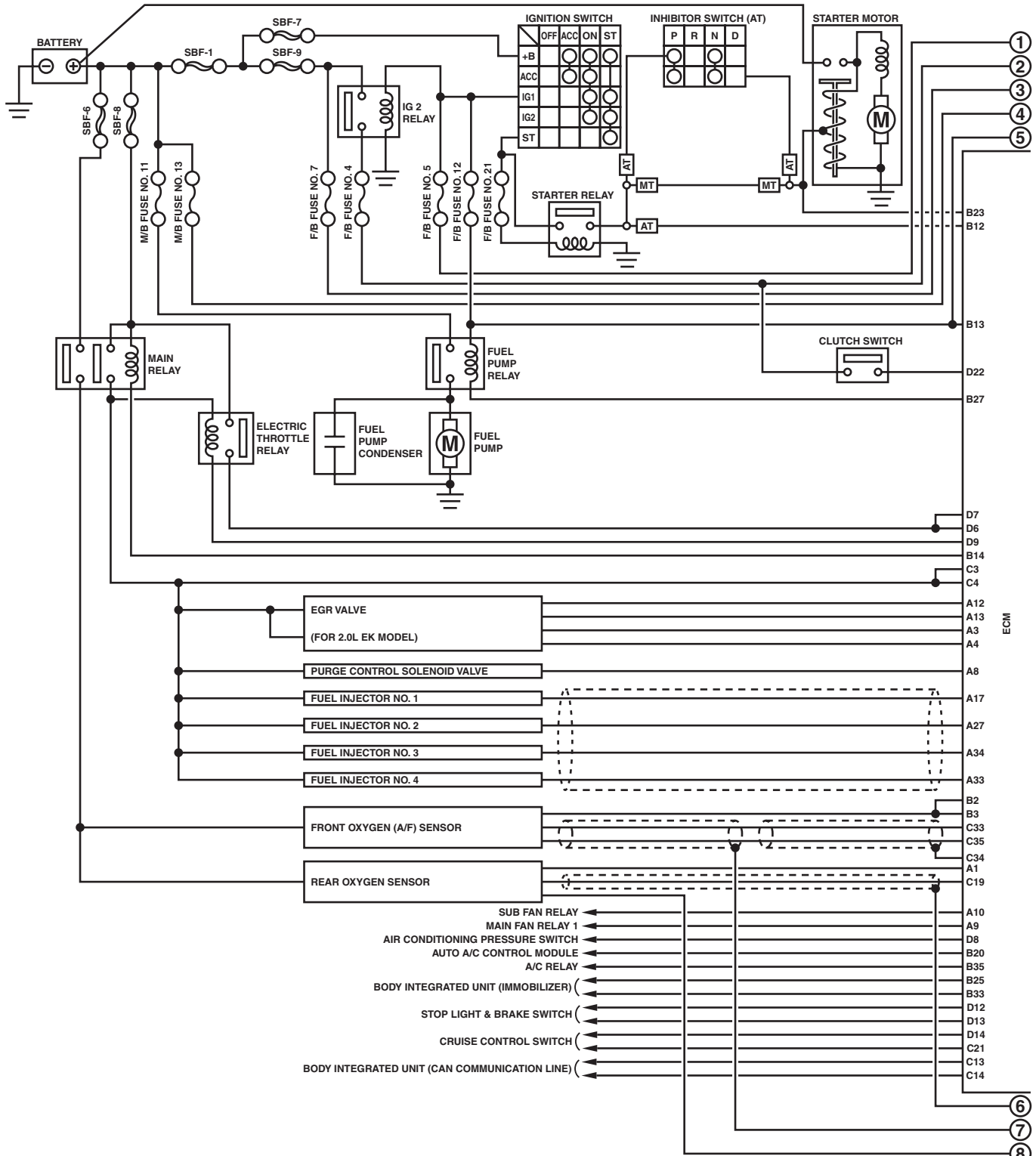
1	2	3	4	5	6	7	8	9	10	11
12	13	14	15	16	17	18	19	20	21	22
23	24	25	26	27	28	29	30	31	32	33
34	35	36	37	38	39	40	41	42	43	44
45	46	47	48	49	50	51	52	53	54	

WI-04053

Engine Electrical System

WIRING SYSTEM

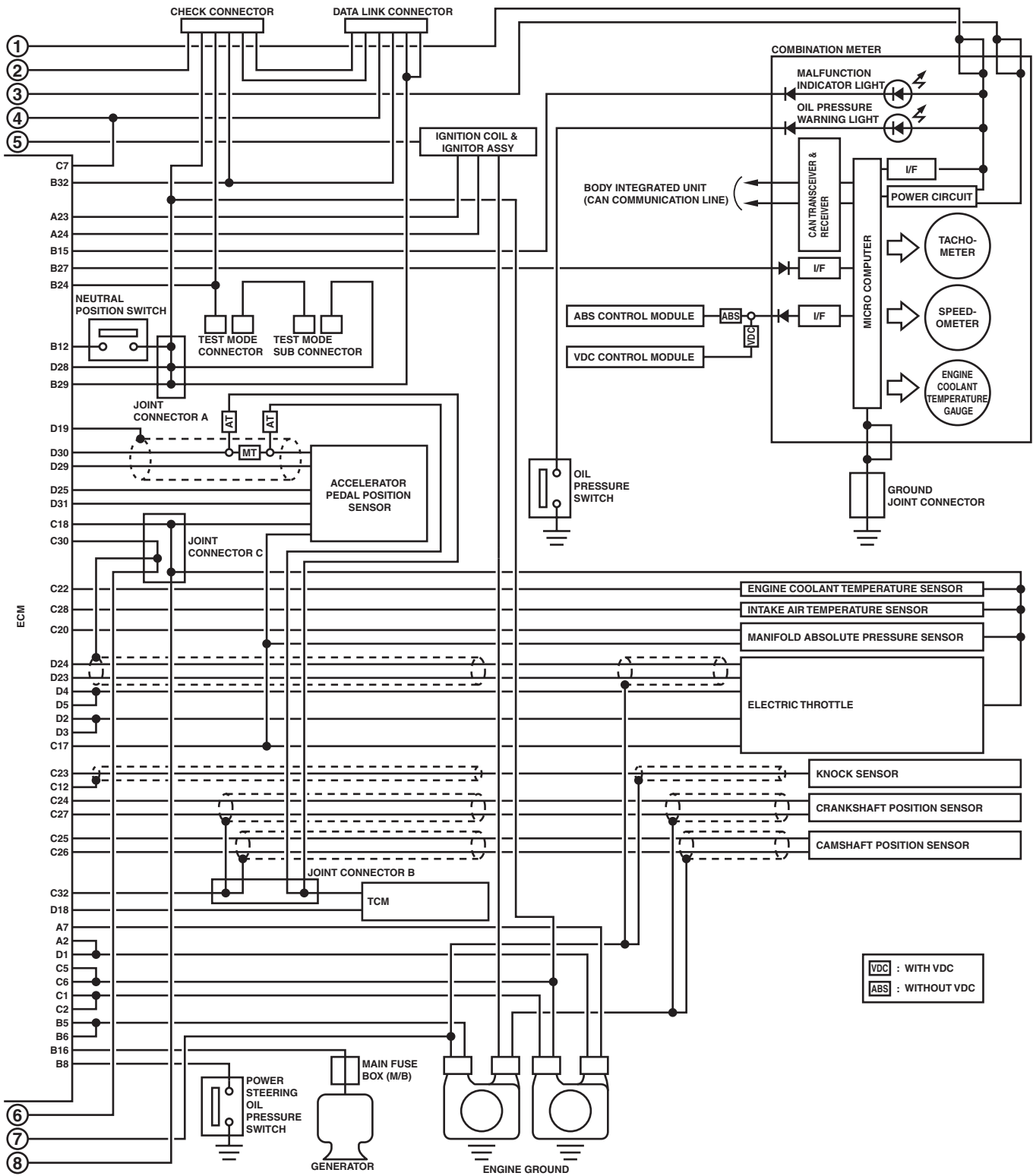
4. RHD 2.0 L NON-TURBO MODEL AND 2.5 L KA MODEL



WI-04054

Engine Electrical System

WIRING SYSTEM



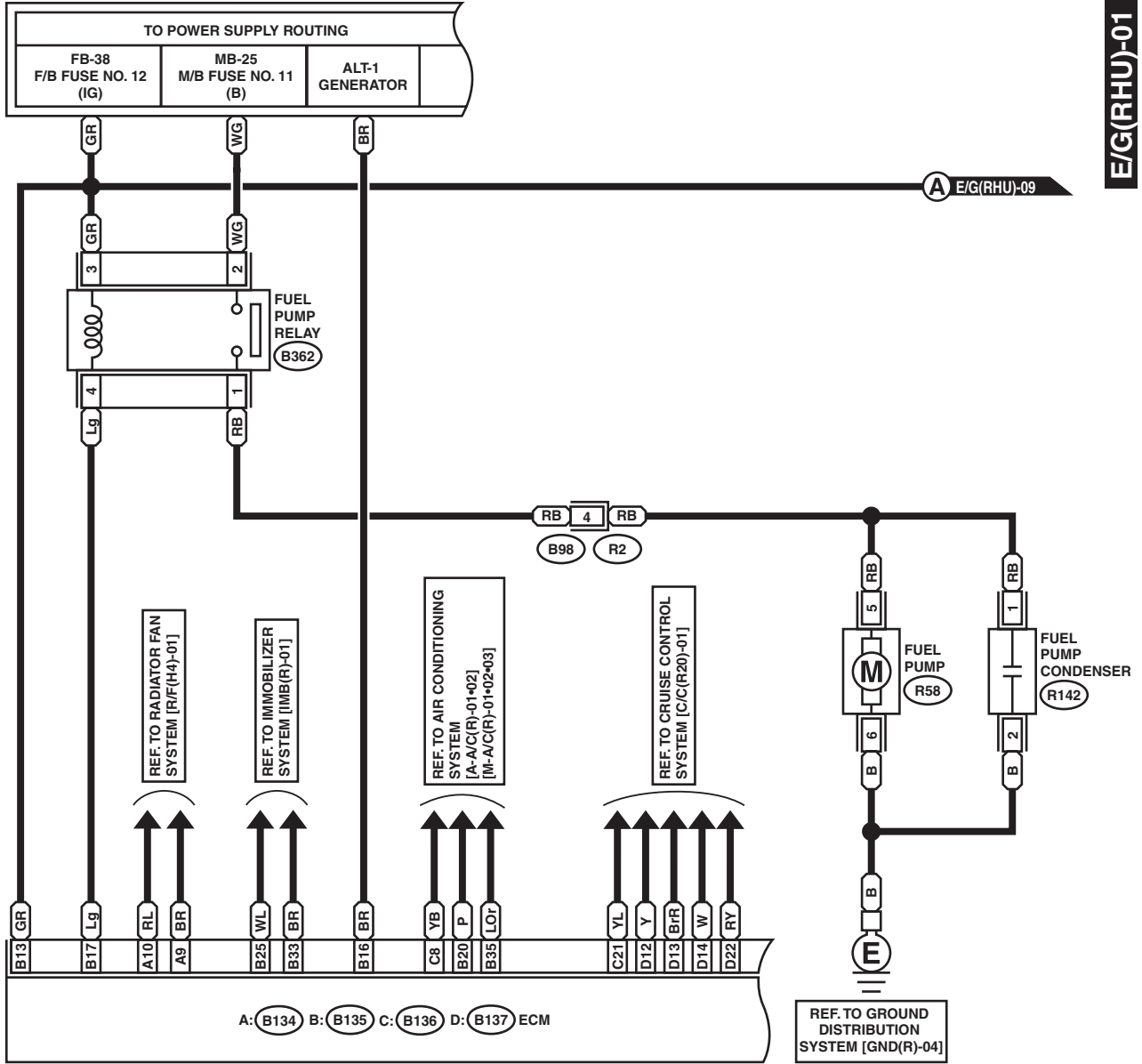
WI-04055

Engine Electrical System

WIRING SYSTEM

E/G(RHU)-01

E/G(RHU)-01



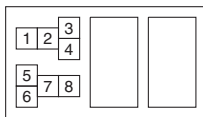
R142 (BLACK)



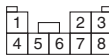
R58



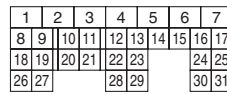
B362



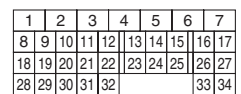
B98



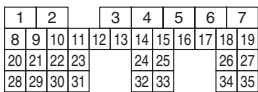
D: B137



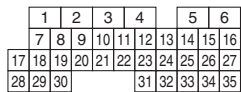
A: B134



B: B135



C: B136



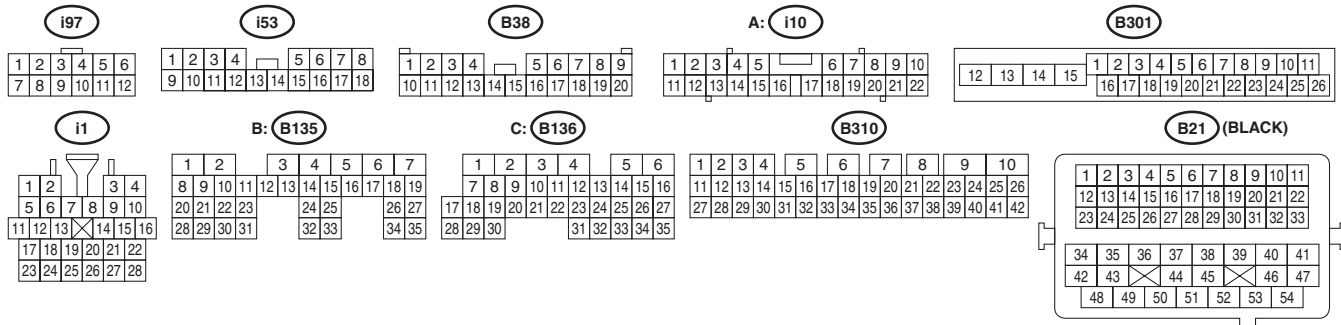
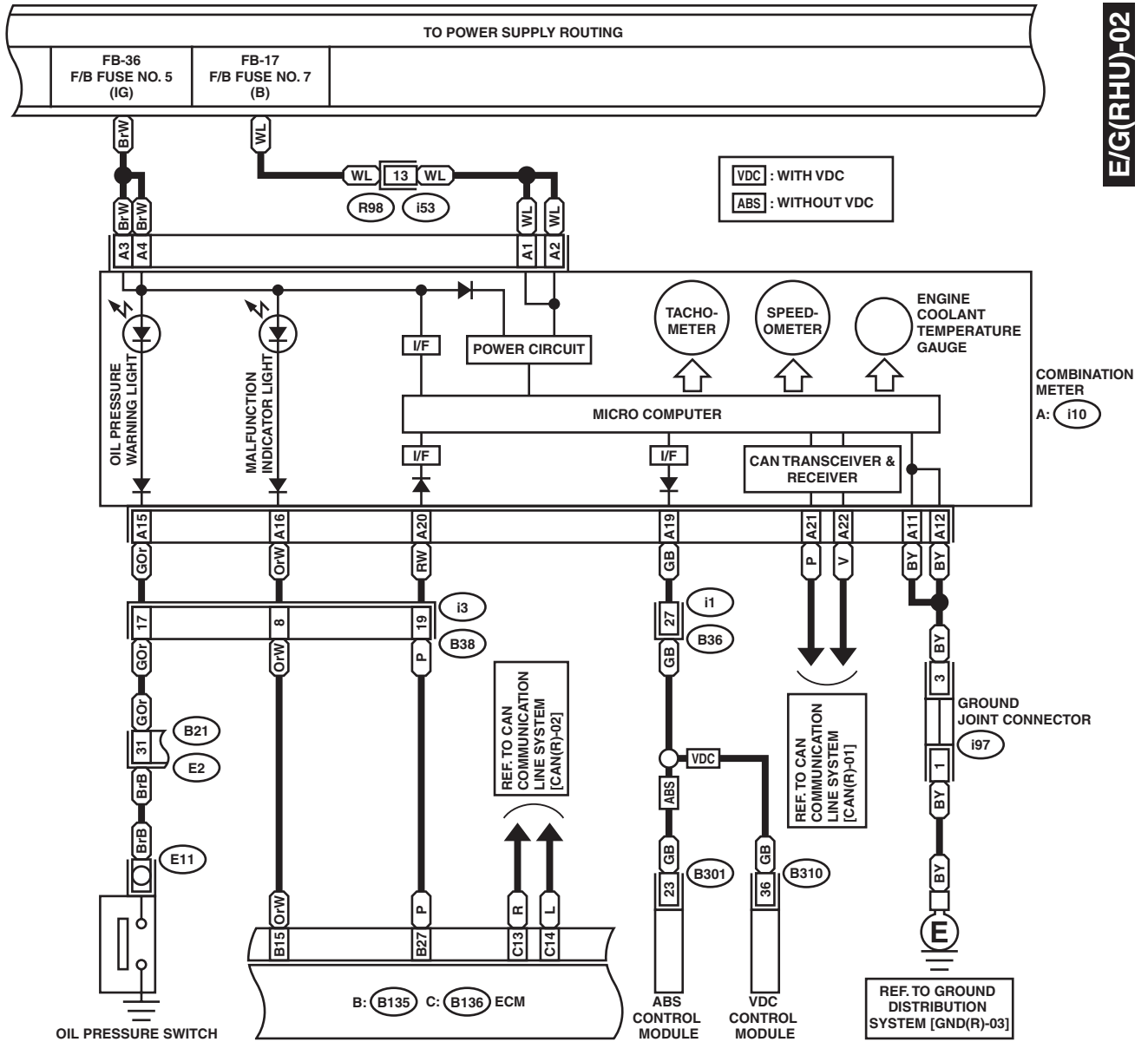
WI-04056

Engine Electrical System

WIRING SYSTEM

E/G(RHU)-02

E/G(RHU)-02



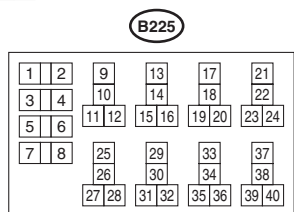
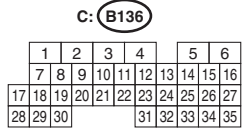
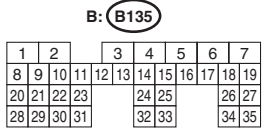
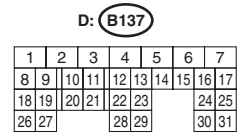
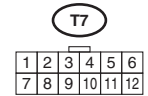
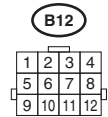
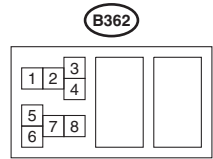
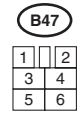
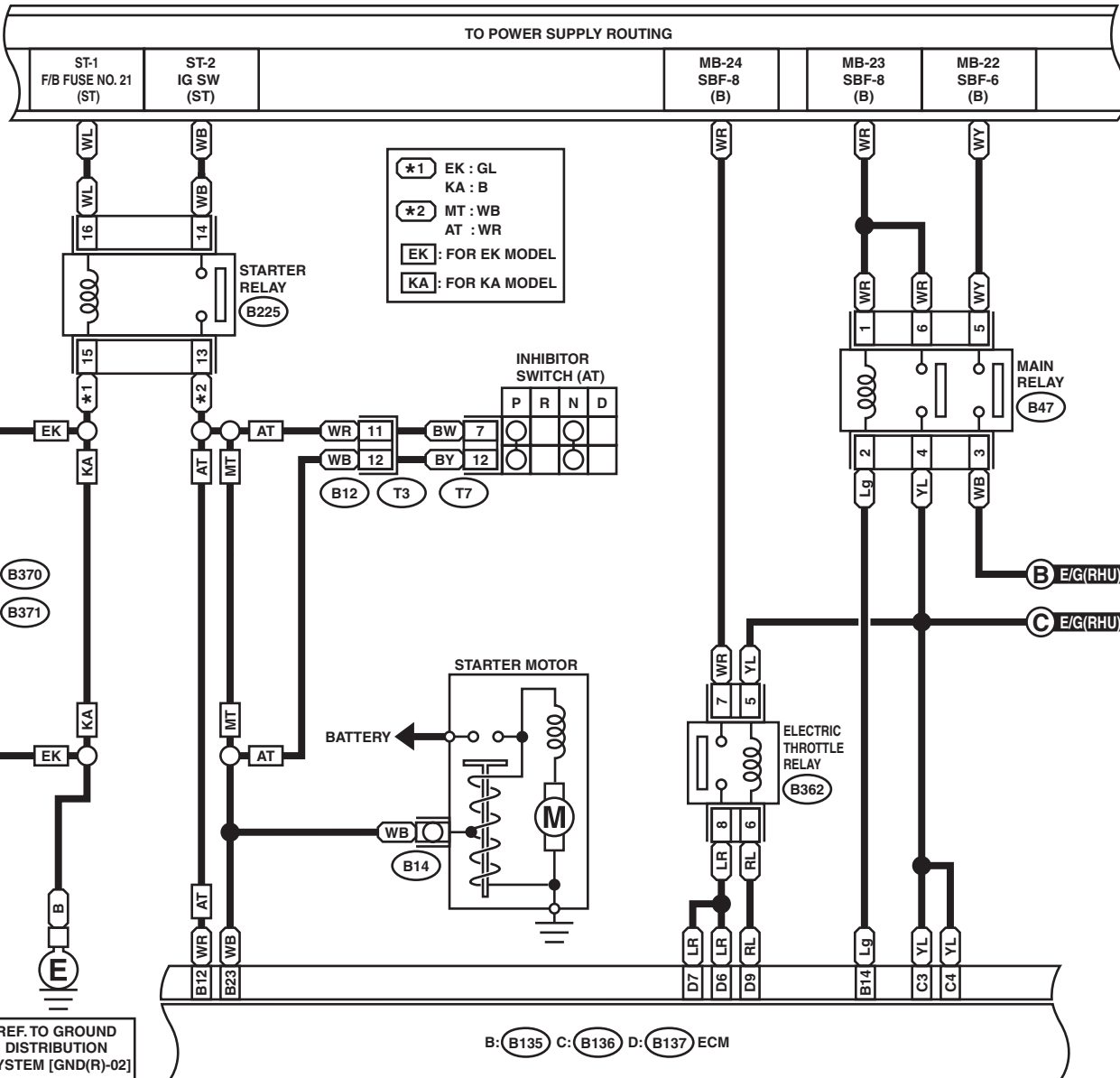
WI-04057

Engine Electrical System

WIRING SYSTEM

E/G(RHU)-03

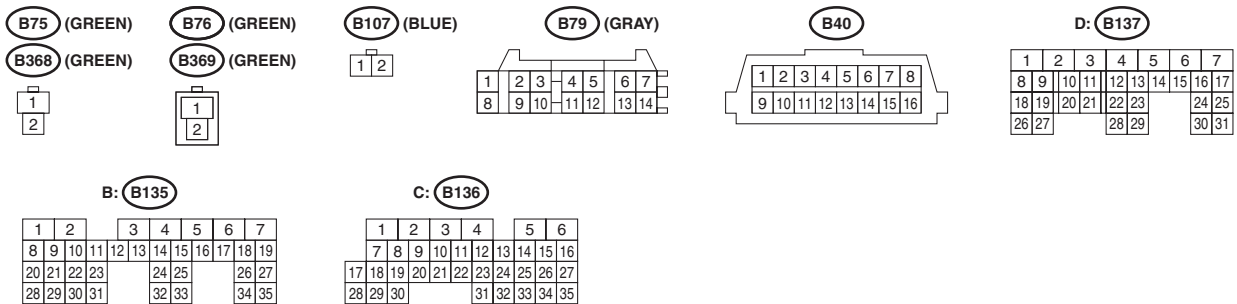
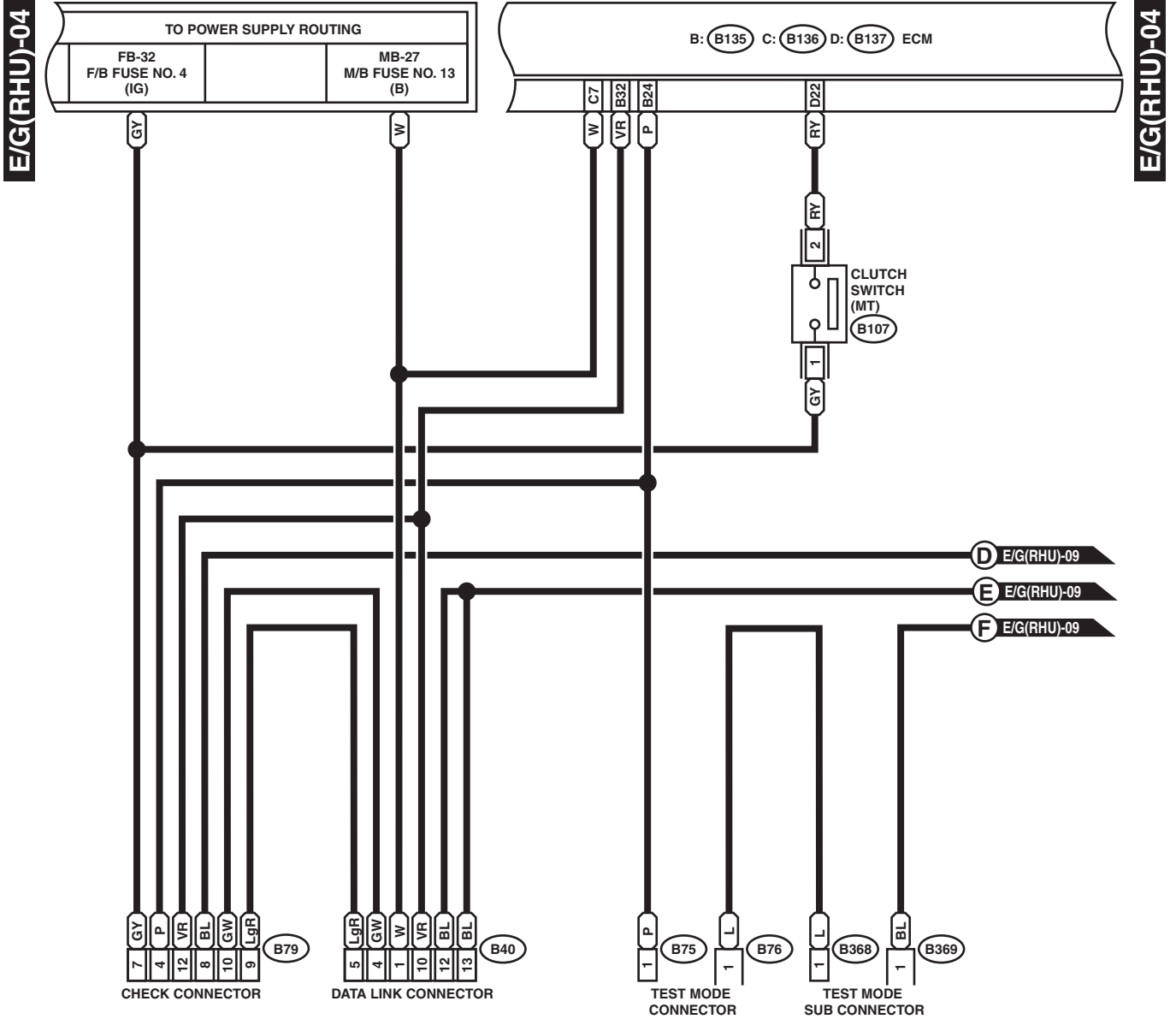
E/G(RHU)-03



WI-04058

Engine Electrical System

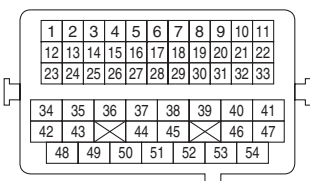
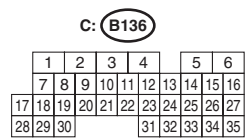
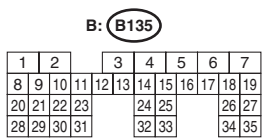
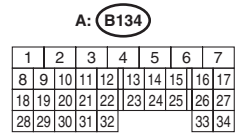
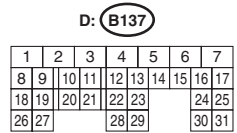
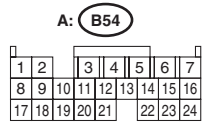
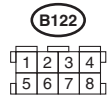
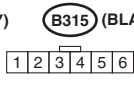
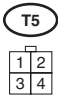
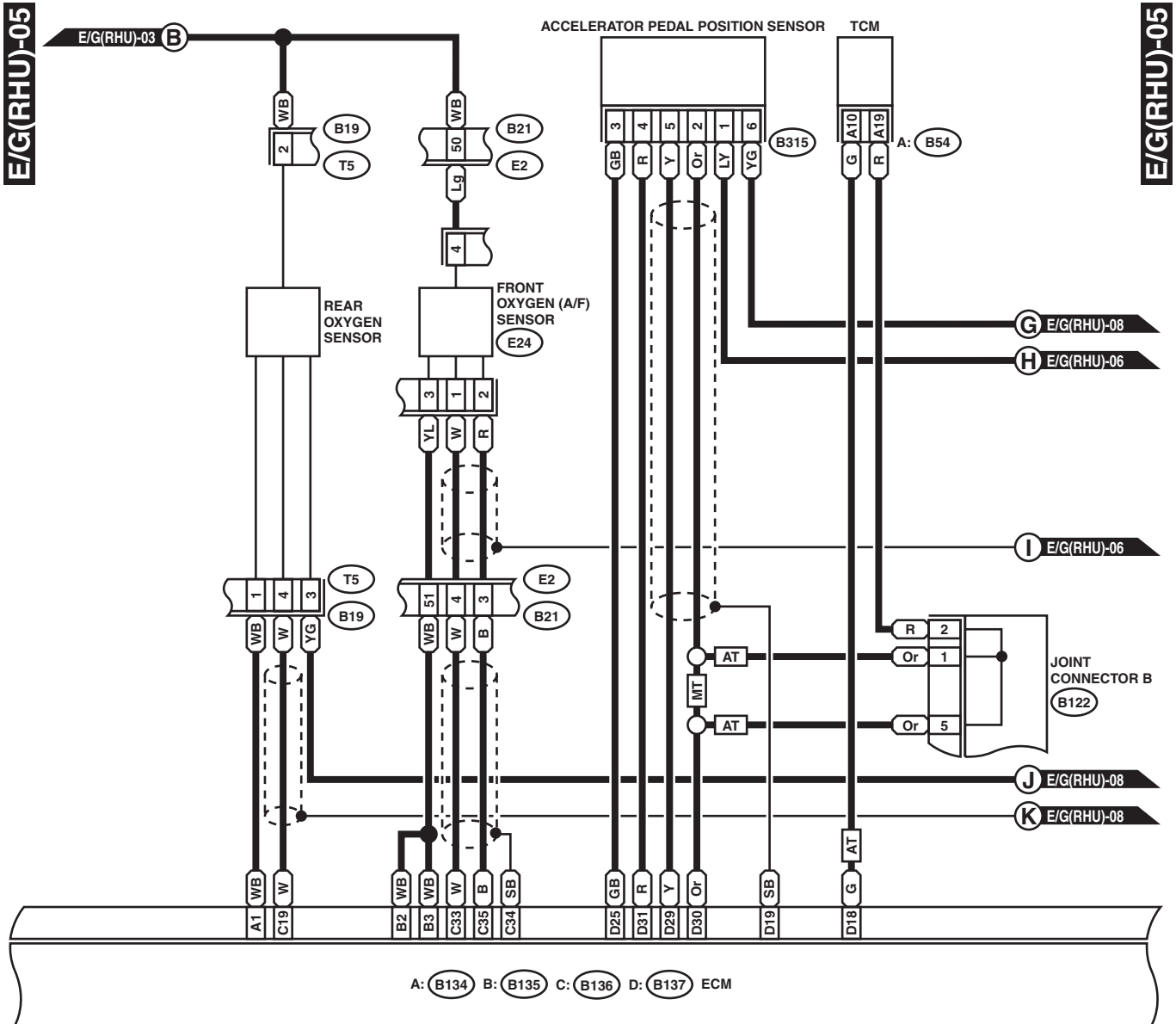
WIRING SYSTEM



WI-04059

Engine Electrical System

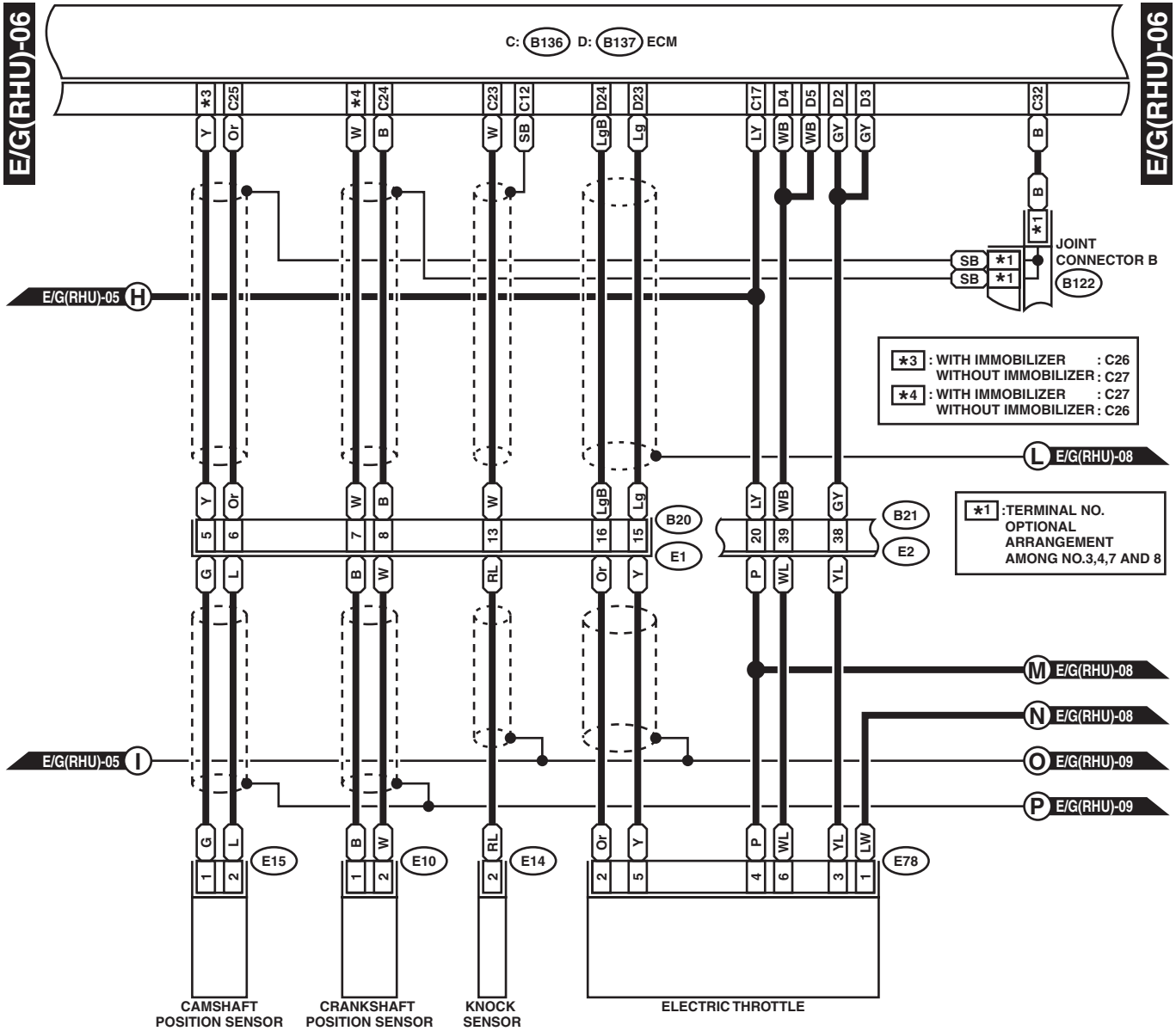
WIRING SYSTEM



WI-04060

Engine Electrical System

WIRING SYSTEM



(E10) (LIGHT GRAY)

(E15) (GRAY)

1	2
---	---

(E14) (BROWN)

1	2
---	---

(E78) (BLACK)

1	2	3
4	5	6

(B122)

1	2	3	4
5	6	7	8

(B20)

1	2	3	4
5	6	7	8
9	10	11	12
13	14	15	16

D: (B137)

1	2	3	4	5	6	7
8	9	10	11	12	13	14
15	16	17	18	19	20	21
22	23	24	25	26	27	28
29	30	31	32	33	34	35

C: (B136)

1	2	3	4	5	6
7	8	9	10	11	12
13	14	15	16	17	18
19	20	21	22	23	24
25	26	27	28	29	30
31	32	33	34	35	

(B21) (BLACK)

1	2	3	4	5	6	7	8	9	10	11
12	13	14	15	16	17	18	19	20	21	22
23	24	25	26	27	28	29	30	31	32	33
34	35	36	37	38	39	40	41			
42	43	44	45	46	47					
48	49	50	51	52	53	54				

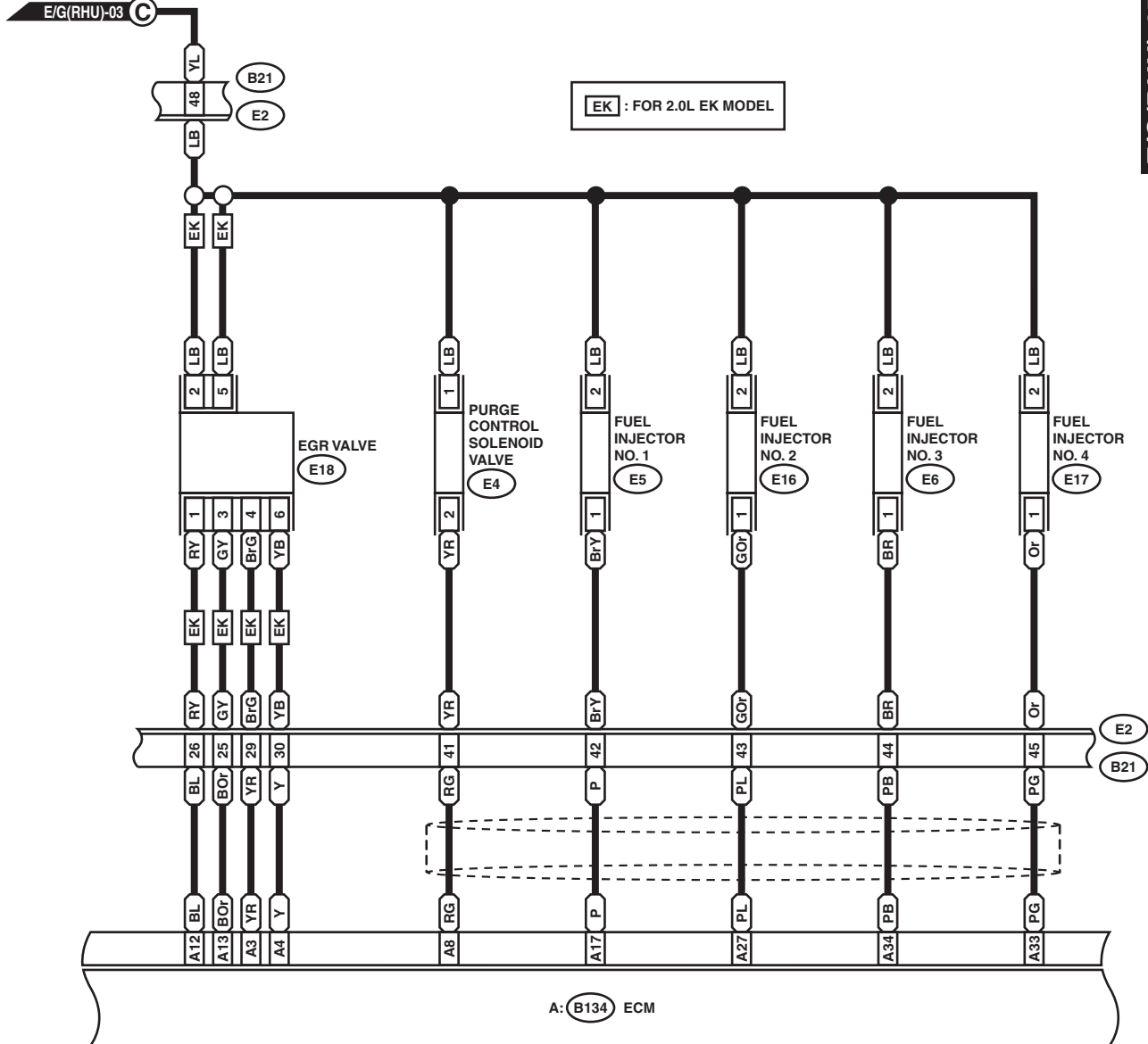
WI-04061

Engine Electrical System

WIRING SYSTEM

E/G(RHU)-07

E/G(RHU)-07



(E4) (BLUE)

1	2
---	---

(E5) (LIGHT GRAY)
 (E6) (LIGHT GRAY)
 (E16) (LIGHT GRAY)
 (E17) (LIGHT GRAY)

1	2
---	---

(E18) (DARK GRAY)

1	2	3
4	5	6

A: (B134)

1	2	3	4	5	6	7			
8	9	10	11	12	13	14	15	16	17
18	19	20	21	22	23	24	25	26	27
28	29	30	31	32				33	34

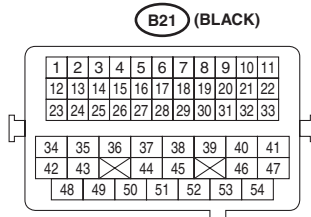
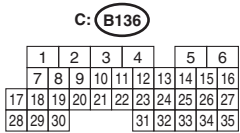
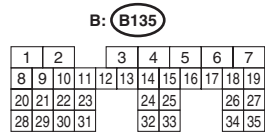
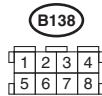
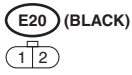
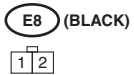
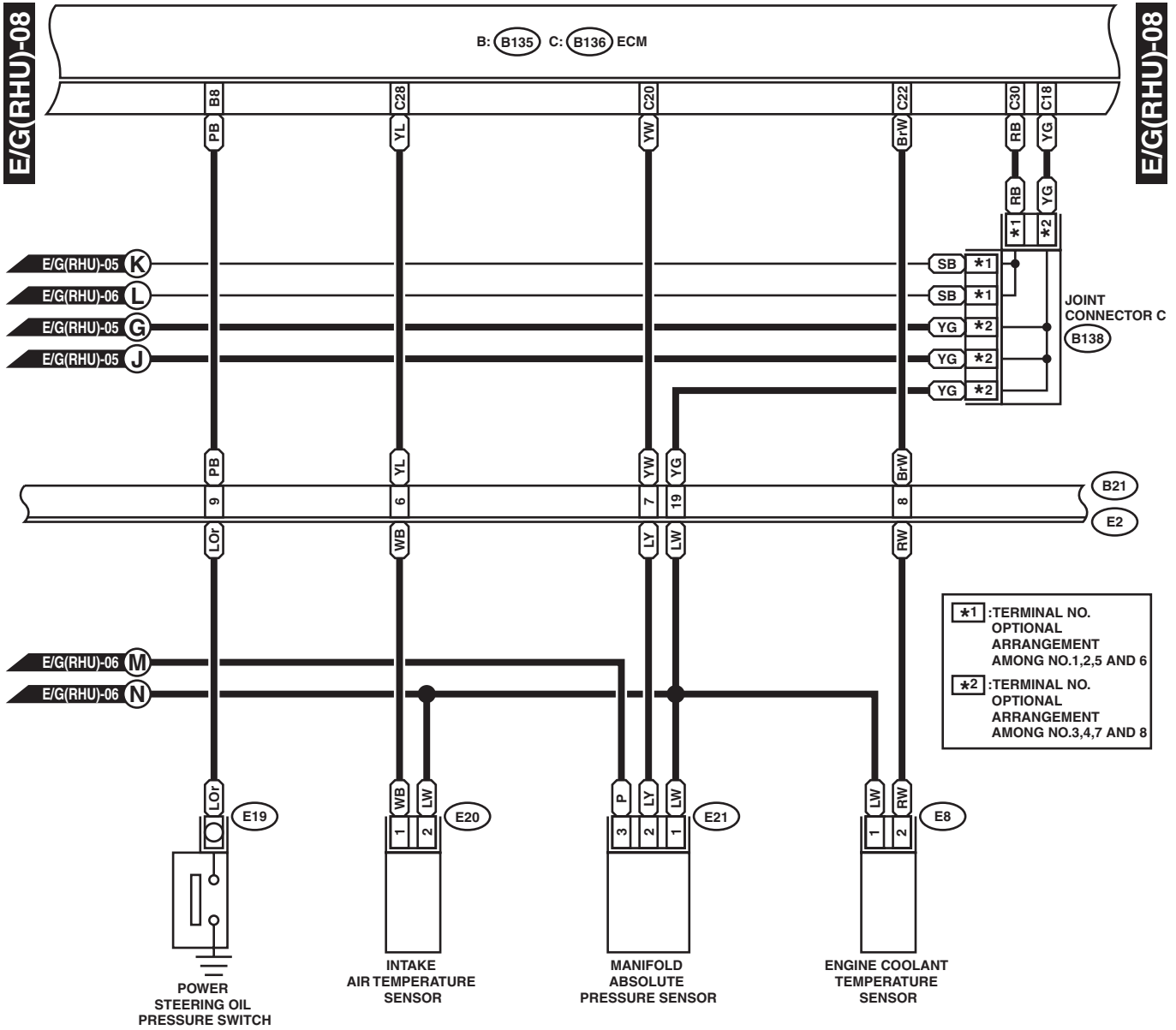
(B21) (BLACK)

1	2	3	4	5	6	7	8	9	10	11
12	13	14	15	16	17	18	19	20	21	22
23	24	25	26	27	28	29	30	31	32	33
34	35	36	37	38	39	40	41			
42	43	44	45	46	47					
48	49	50	51	52	53	54				

WI-04062

Engine Electrical System

WIRING SYSTEM



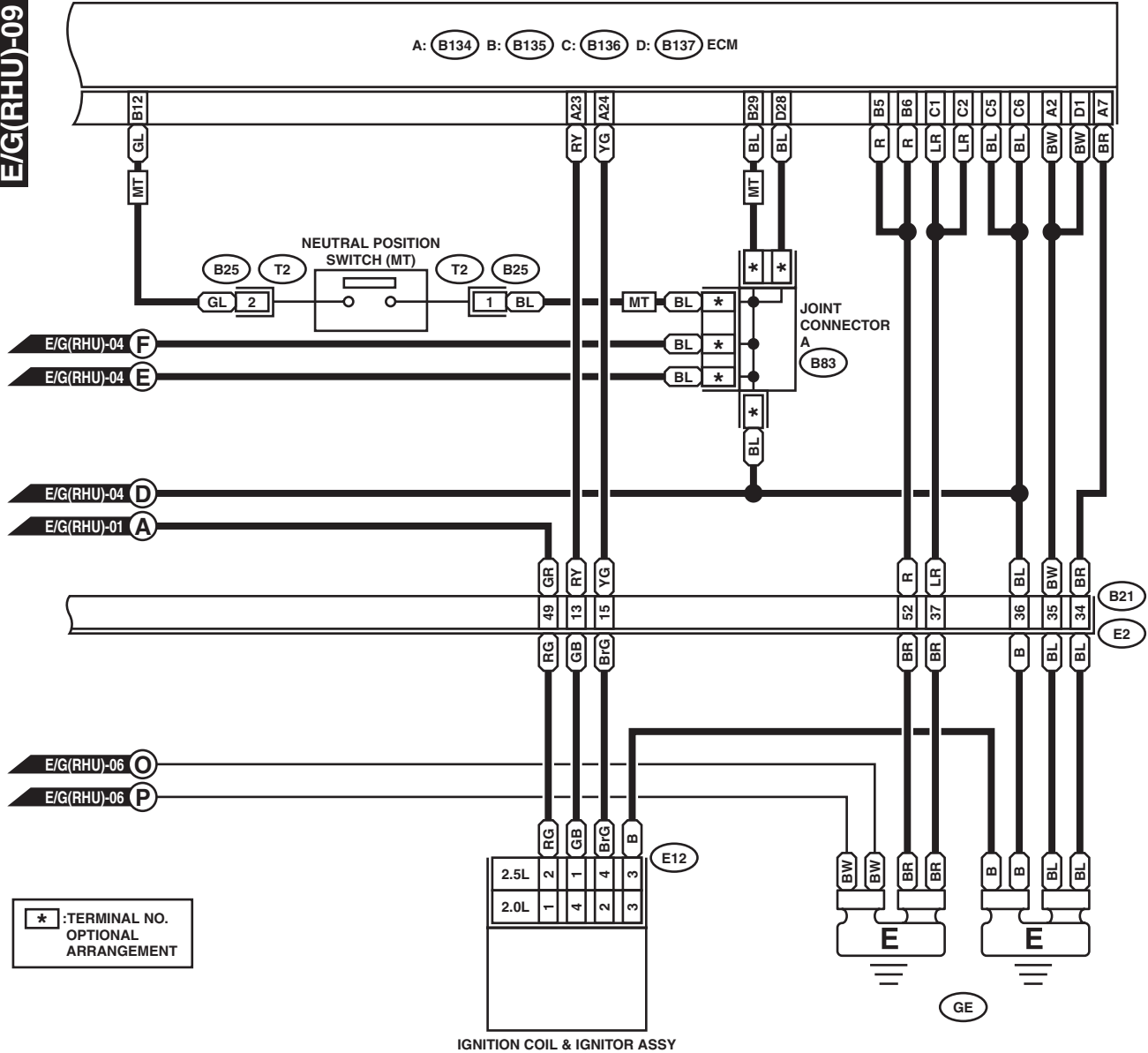
WI-04063

Engine Electrical System

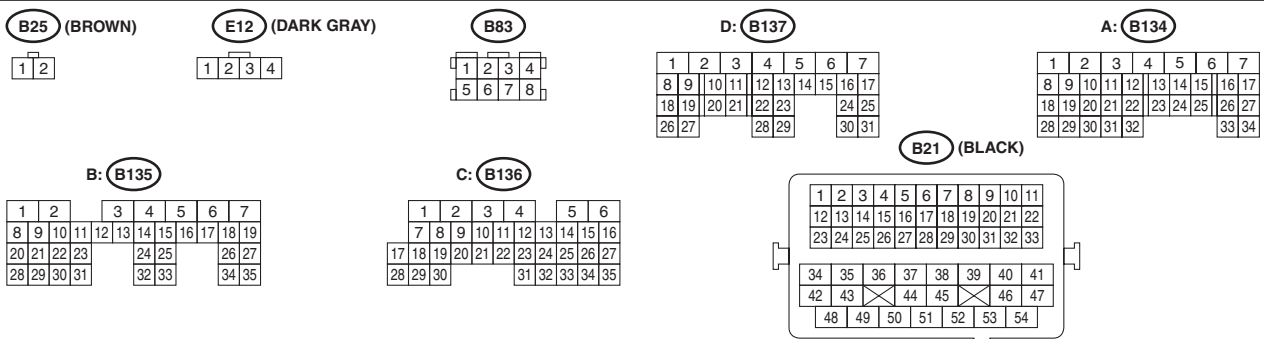
WIRING SYSTEM

E/G(RHU)-09

E/G(RHU)-09



* : TERMINAL NO. OPTIONAL ARRANGEMENT

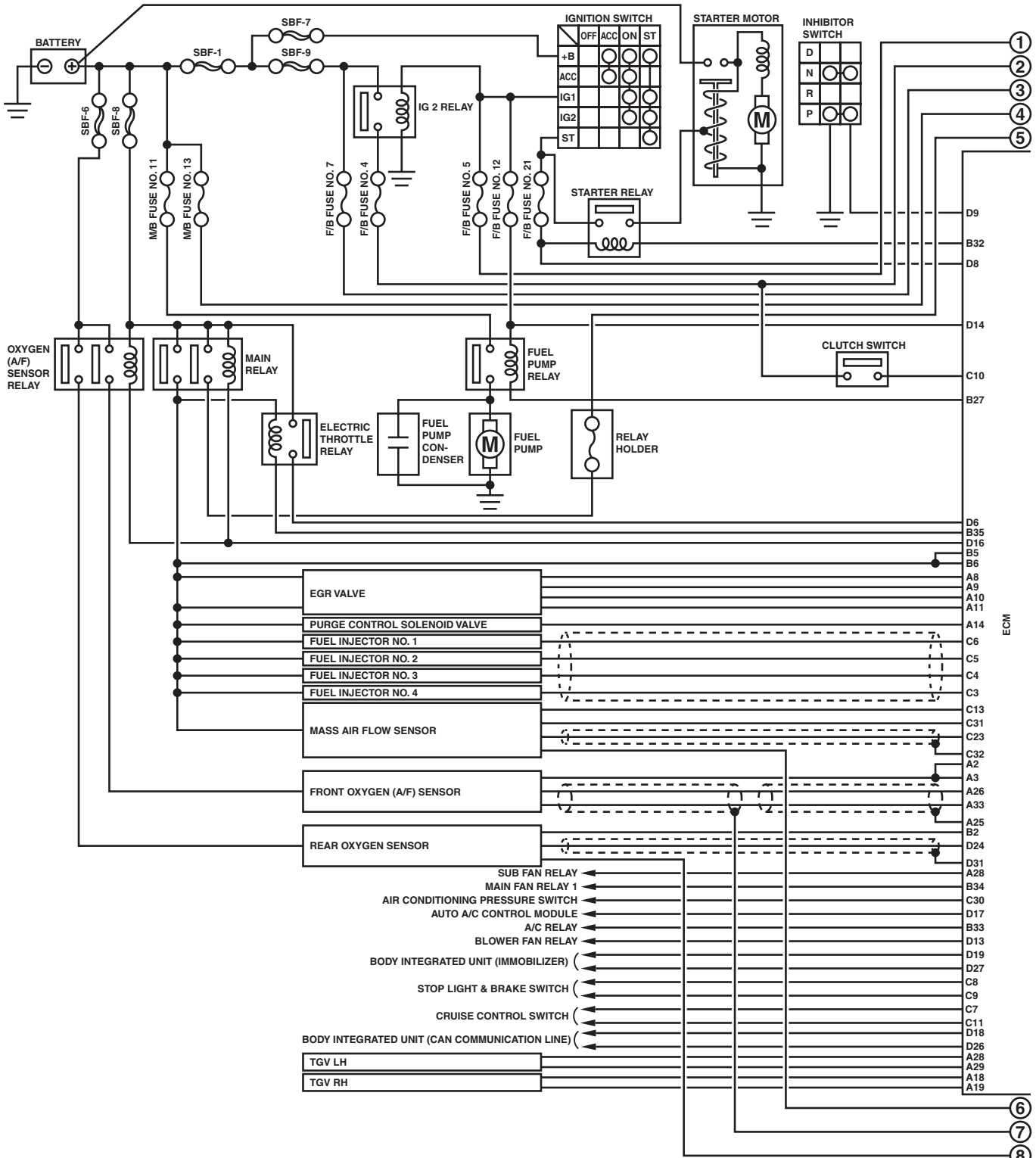


WI-04064

Engine Electrical System

WIRING SYSTEM

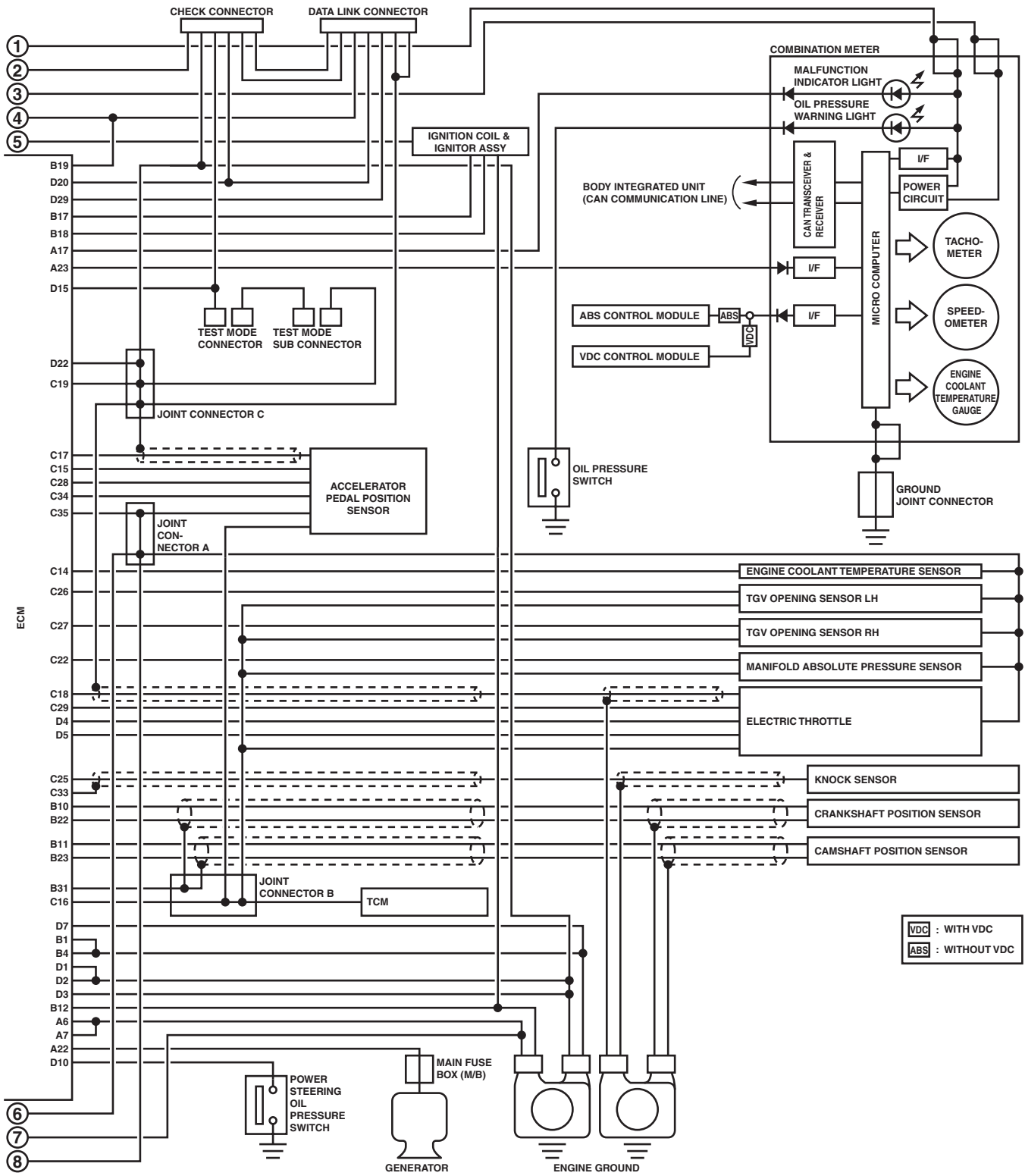
5. RHD 2.5 L EK MODEL



WI-04065

Engine Electrical System

WIRING SYSTEM



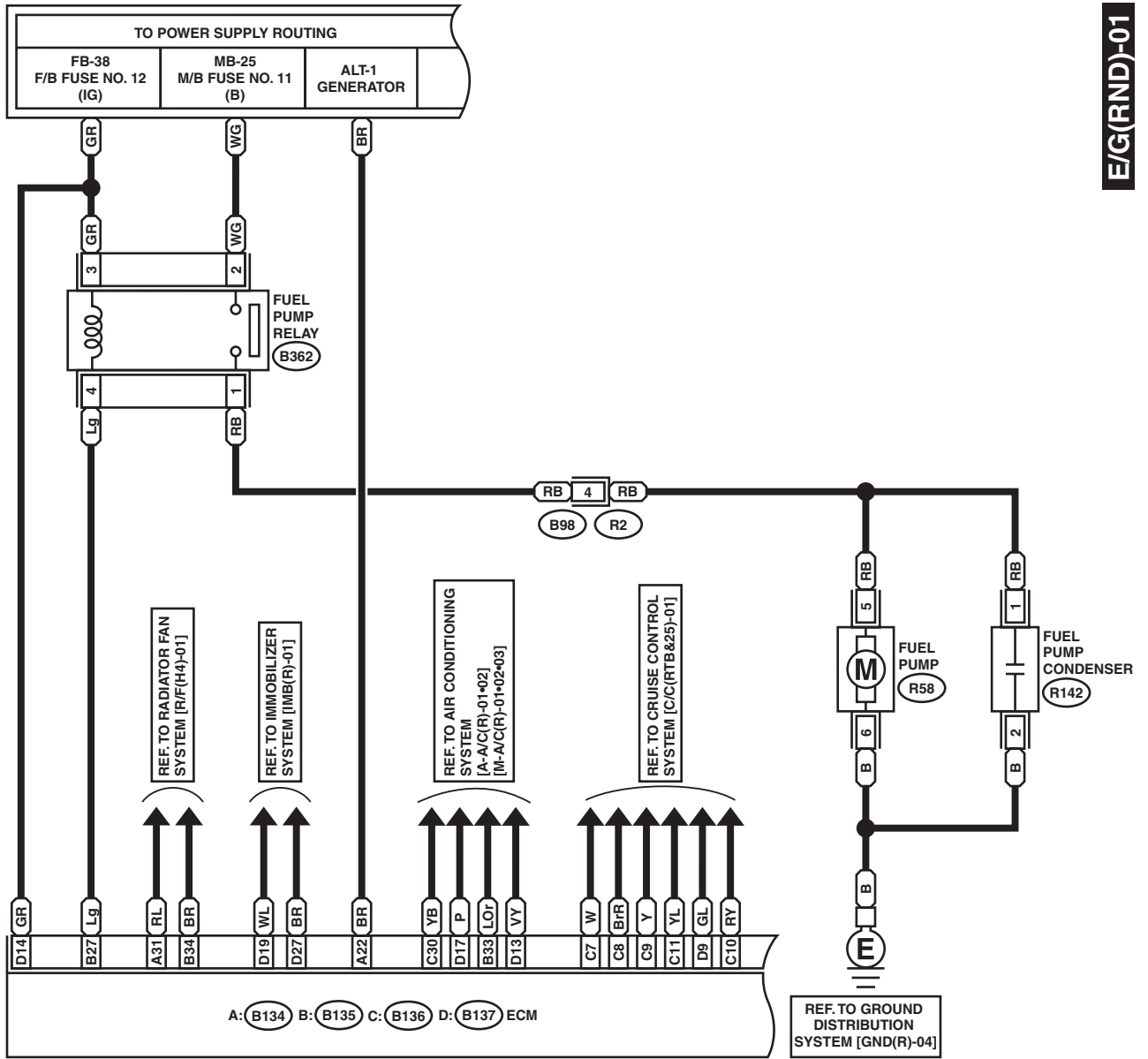
WI-04066

Engine Electrical System

WIRING SYSTEM

E/G(RND)-01

E/G(RND)-01



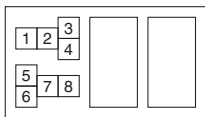
R142 (BLACK)



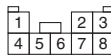
R58



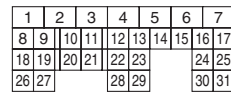
B362



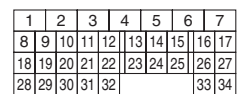
B98



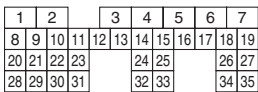
D: B137



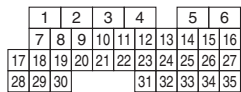
A: B134



B: B135



C: B136



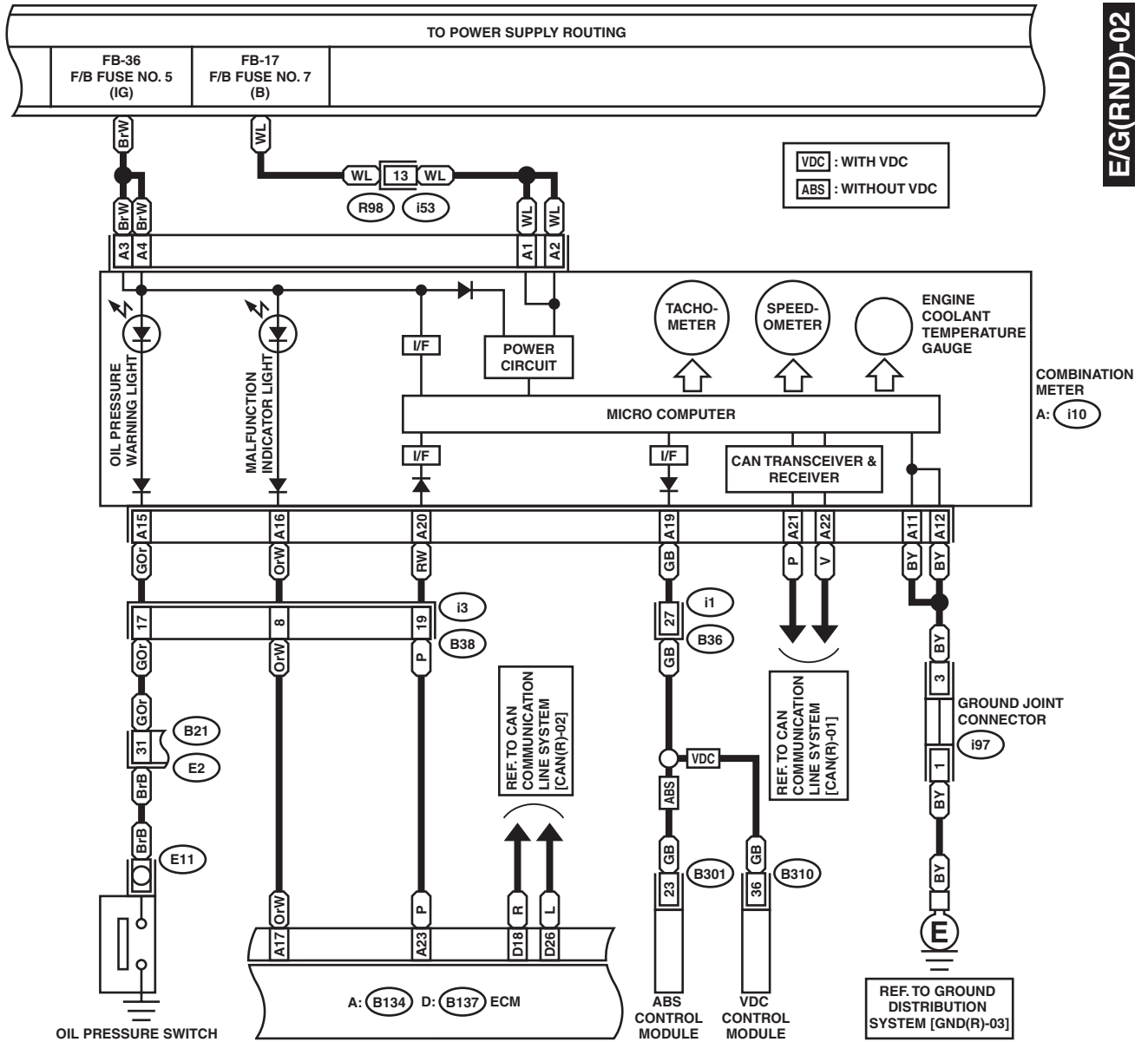
WI-04067

Engine Electrical System

WIRING SYSTEM

E/G(RND)-02

E/G(RND)-02



VDC : WITH VDC
ABS : WITHOUT VDC

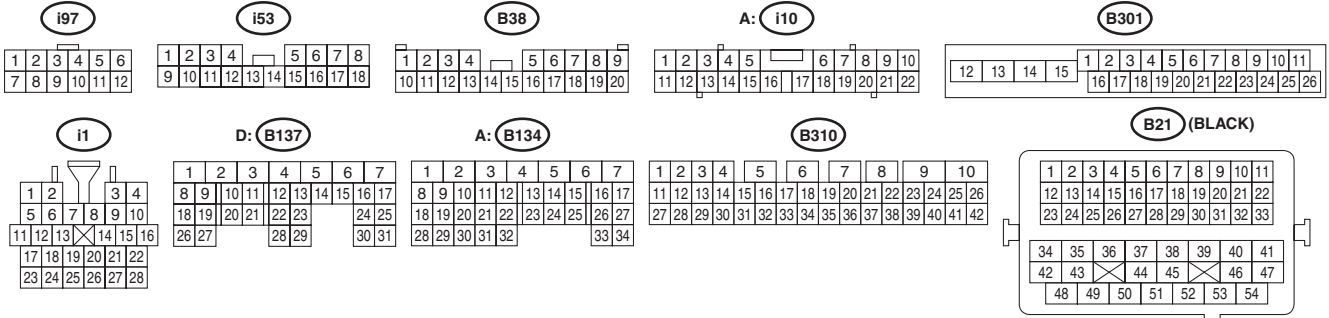
COMBINATION METER
A: i10

GROUND JOINT CONNECTOR
i97

REF. TO GROUND DISTRIBUTION SYSTEM [GND(R)-03]

A: B134 D: B137 ECM

OIL PRESSURE SWITCH



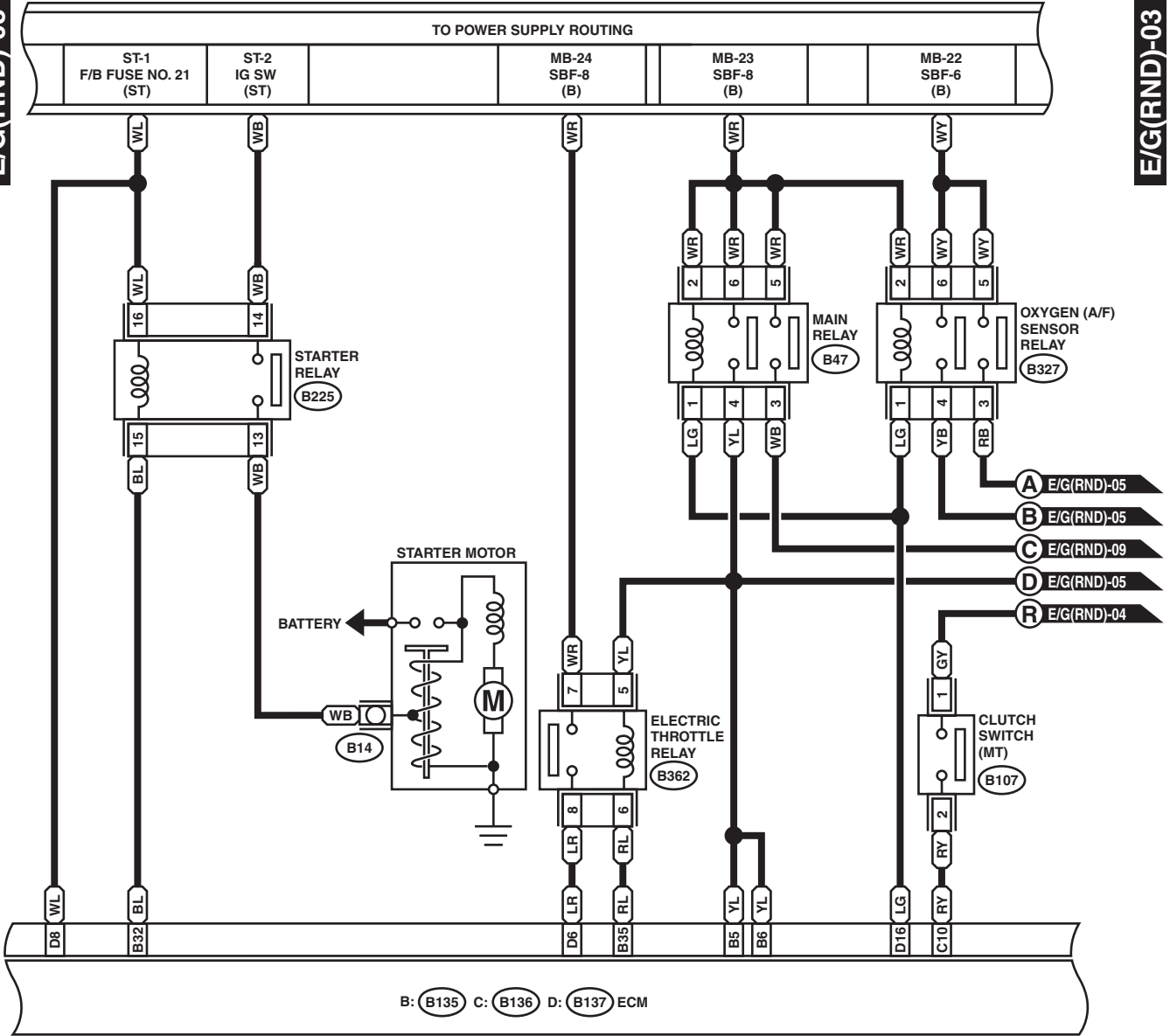
WI-04068

Engine Electrical System

WIRING SYSTEM

E/G(RND)-03

E/G(RND)-03



(B107) (BLUE)

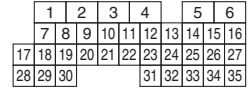
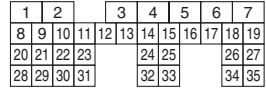
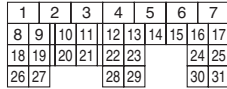
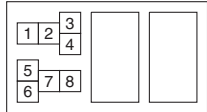
(B47) (B327)

(B362)

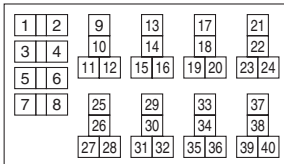
D: (B137)

B: (B135)

C: (B136)



(B225)



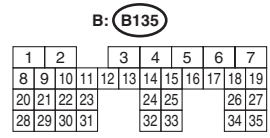
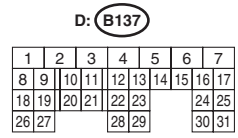
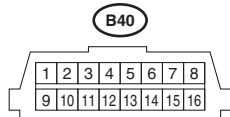
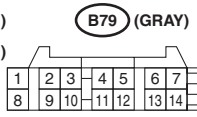
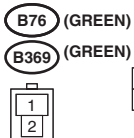
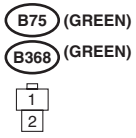
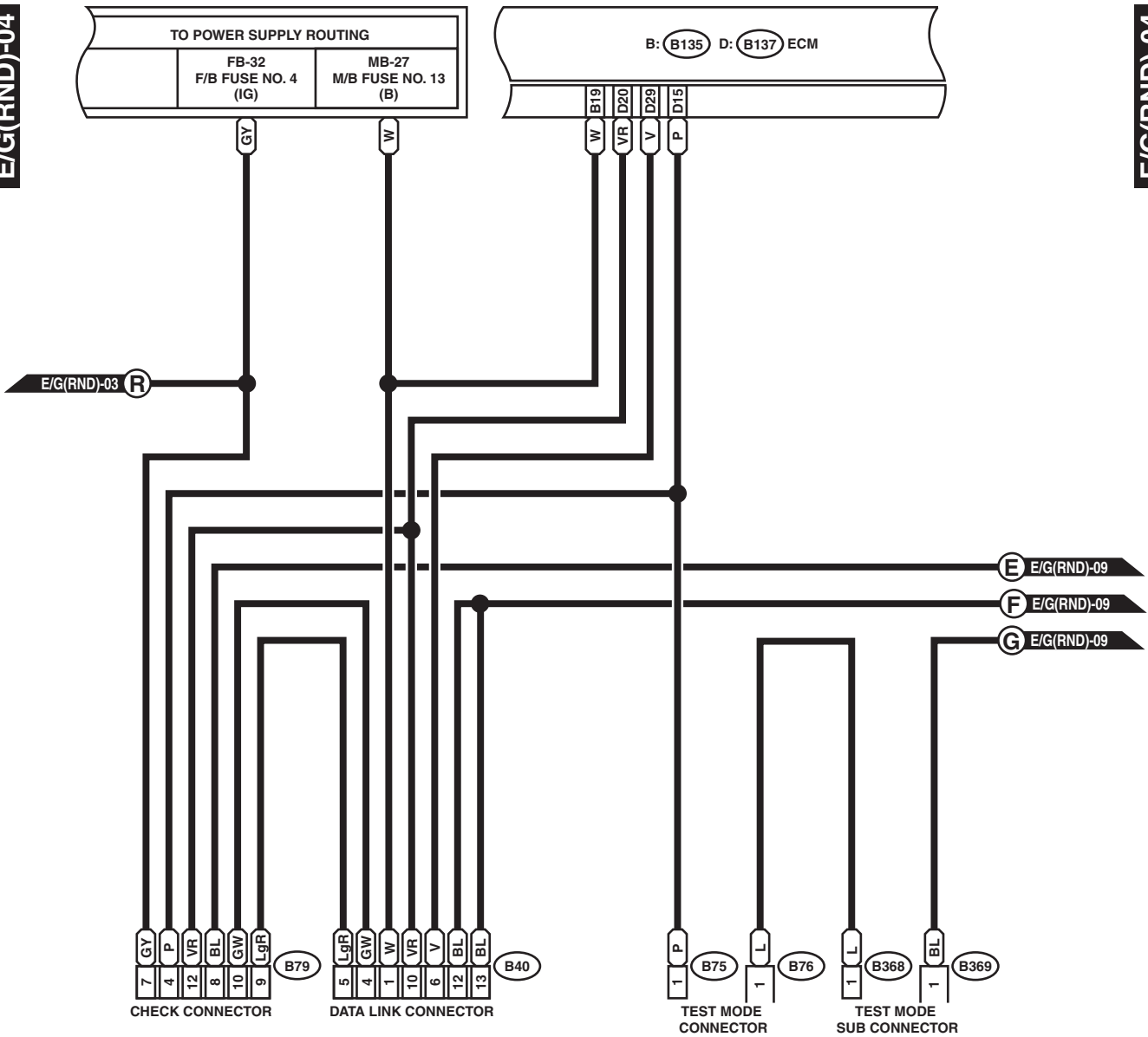
WI-04069

Engine Electrical System

WIRING SYSTEM

E/G(RND)-04

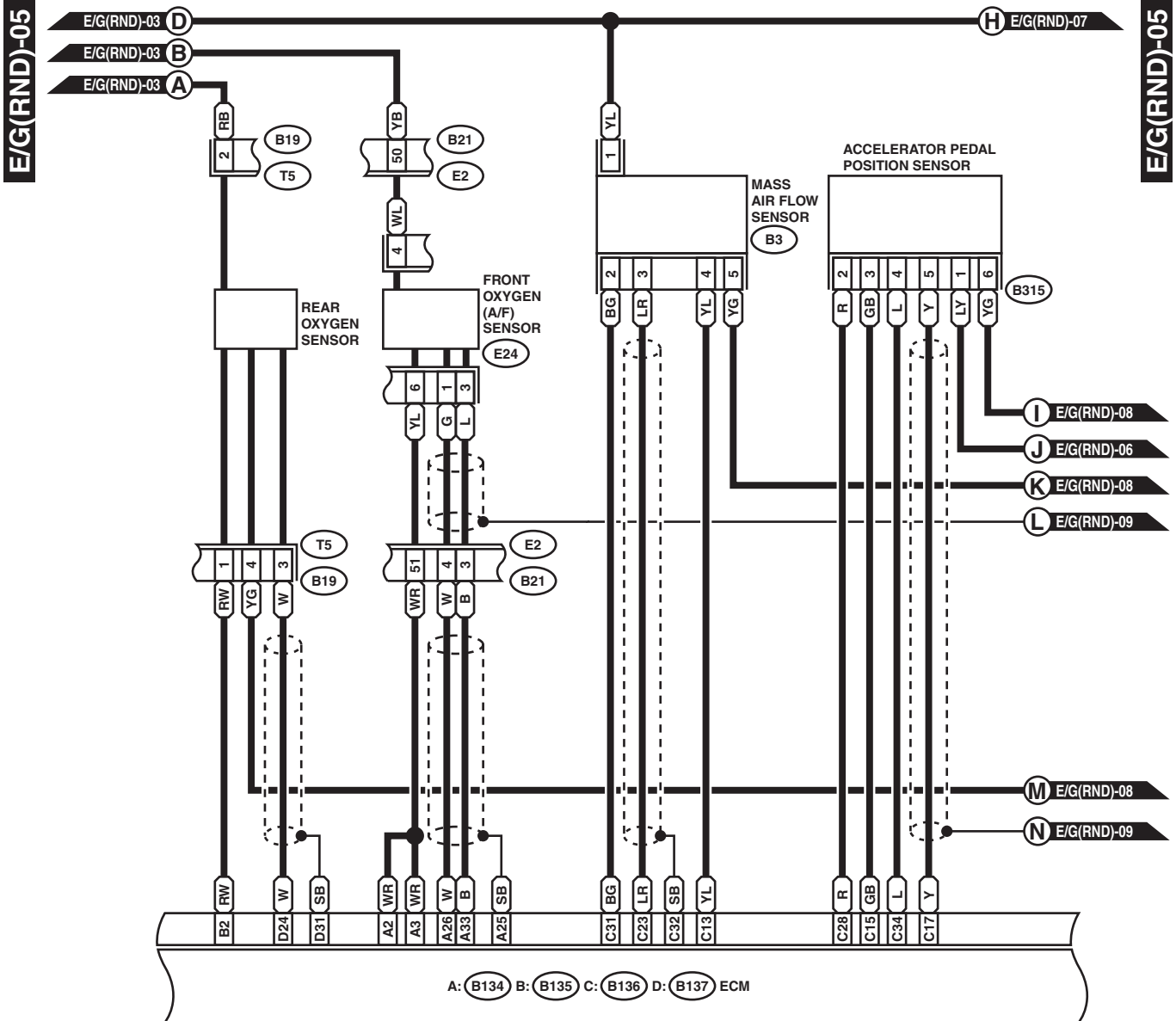
E/G(RND)-04



WI-04070

Engine Electrical System

WIRING SYSTEM



B19

1	2
3	4

B3

1	2	3	4	5
---	---	---	---	---

B315

1	2	3	4	5	6
---	---	---	---	---	---

E24 (GRAY)

1	2	3
4	5	6

D: B137

1	2	3	4	5	6	7			
8	9	10	11	12	13	14	15	16	17
18	19	20	21	22	23	24	25	26	27
28	29	30	31						

A: B134

1	2	3	4	5	6	7			
8	9	10	11	12	13	14	15	16	17
18	19	20	21	22	23	24	25	26	27
28	29	30	31	32	33	34			

B: B135

1	2	3	4	5	6	7					
8	9	10	11	12	13	14	15	16	17	18	19
20	21	22	23	24	25	26	27				
28	29	30	31	32	33	34	35				

C: B136

1	2	3	4	5	6					
7	8	9	10	11	12	13	14	15	16	
17	18	19	20	21	22	23	24	25	26	27
28	29	30	31	32	33	34	35			

B21 (BLACK)

1	2	3	4	5	6	7	8	9	10	11
12	13	14	15	16	17	18	19	20	21	22
23	24	25	26	27	28	29	30	31	32	33
34	35	36	37	38	39	40	41			
42	43	44	45	46	47					
48	49	50	51	52	53	54				

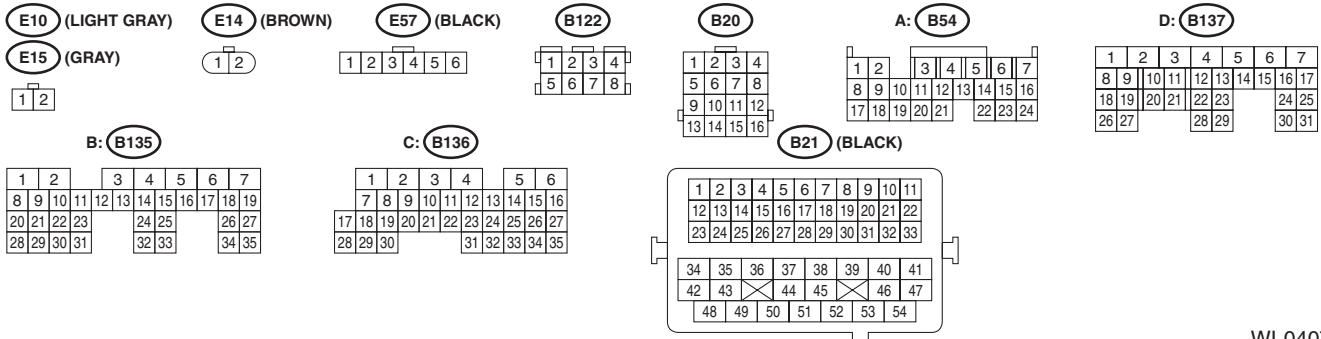
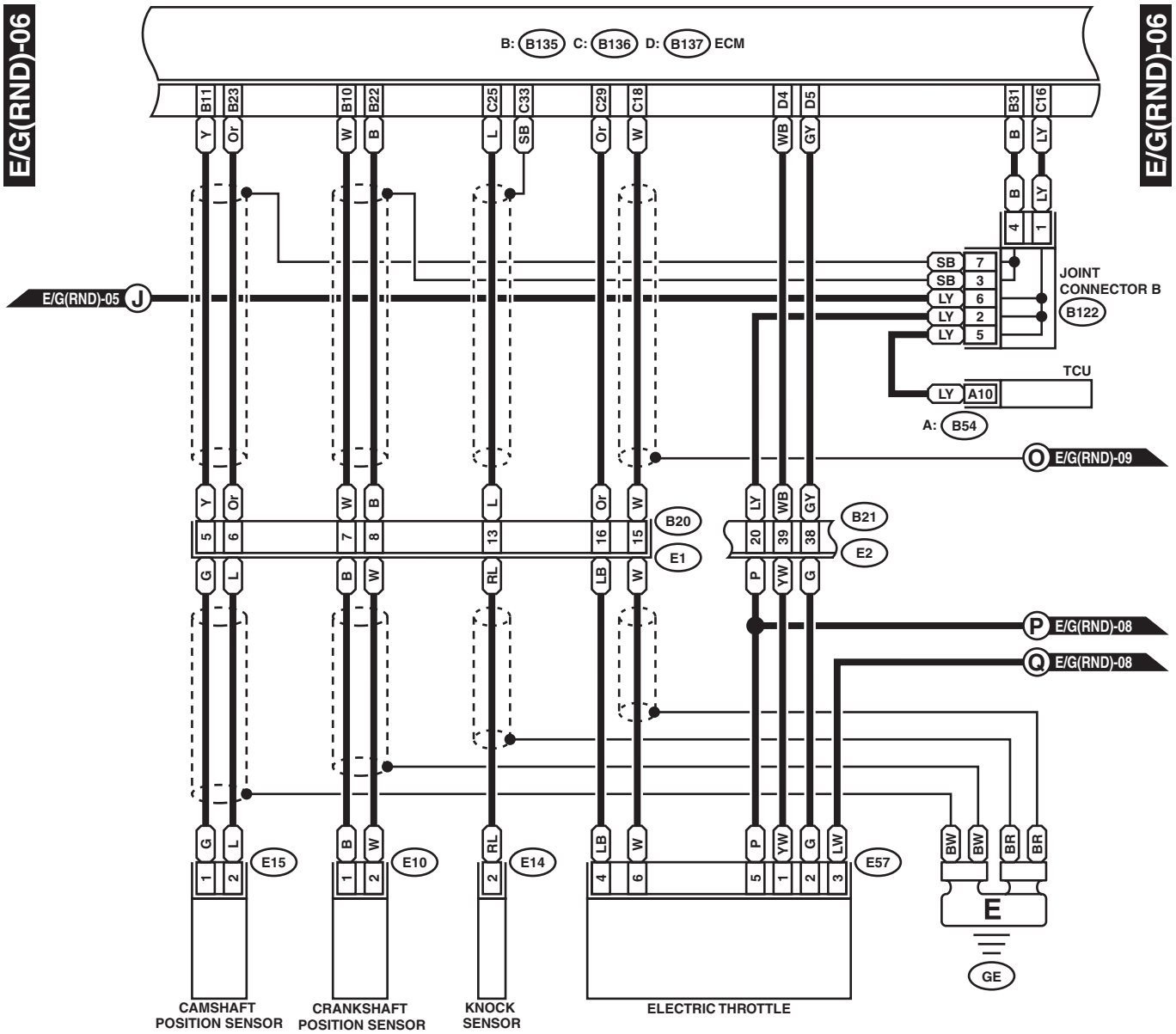
WI-04071

Engine Electrical System

WIRING SYSTEM

E/G(RND)-06

E/G(RND)-06



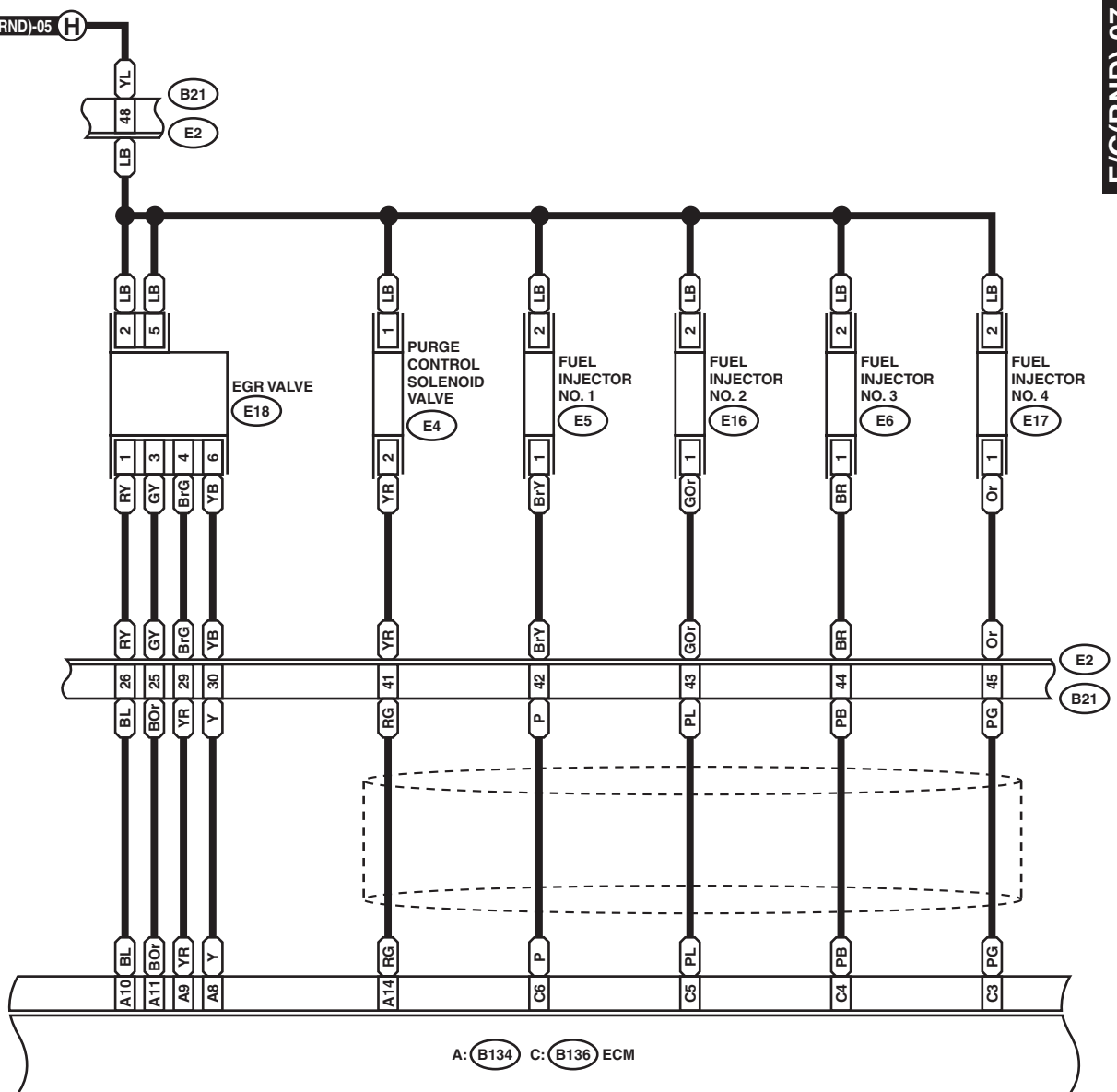
WI-04072

Engine Electrical System

WIRING SYSTEM

E/G(RND)-07

E/G(RND)-07



A: B134 C: B136 ECM

E4 (BLUE)
1 2

(DARK GRAY) E5 (DARK GRAY)
(DARK GRAY) E6 (DARK GRAY) E17 (DARK GRAY)
1 2

E18 (DARK GRAY)
1 2 3
4 5 6

A: B134

1	2	3	4	5	6	7
8	9	10	11	12	13	14
15	16	17	18	19	20	21
22	23	24	25	26	27	28
29	30	31	32	33	34	

B21 (BLACK)

1	2	3	4	5	6	7	8	9	10	11
12	13	14	15	16	17	18	19	20	21	22
23	24	25	26	27	28	29	30	31	32	33
34	35	36	37	38	39	40	41			
42	43	44	45	46	47					
48	49	50	51	52	53	54				

C: B136

1	2	3	4	5	6
7	8	9	10	11	12
13	14	15	16	17	18
19	20	21	22	23	24
25	26	27	28	29	30
31	32	33	34	35	

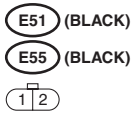
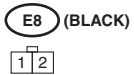
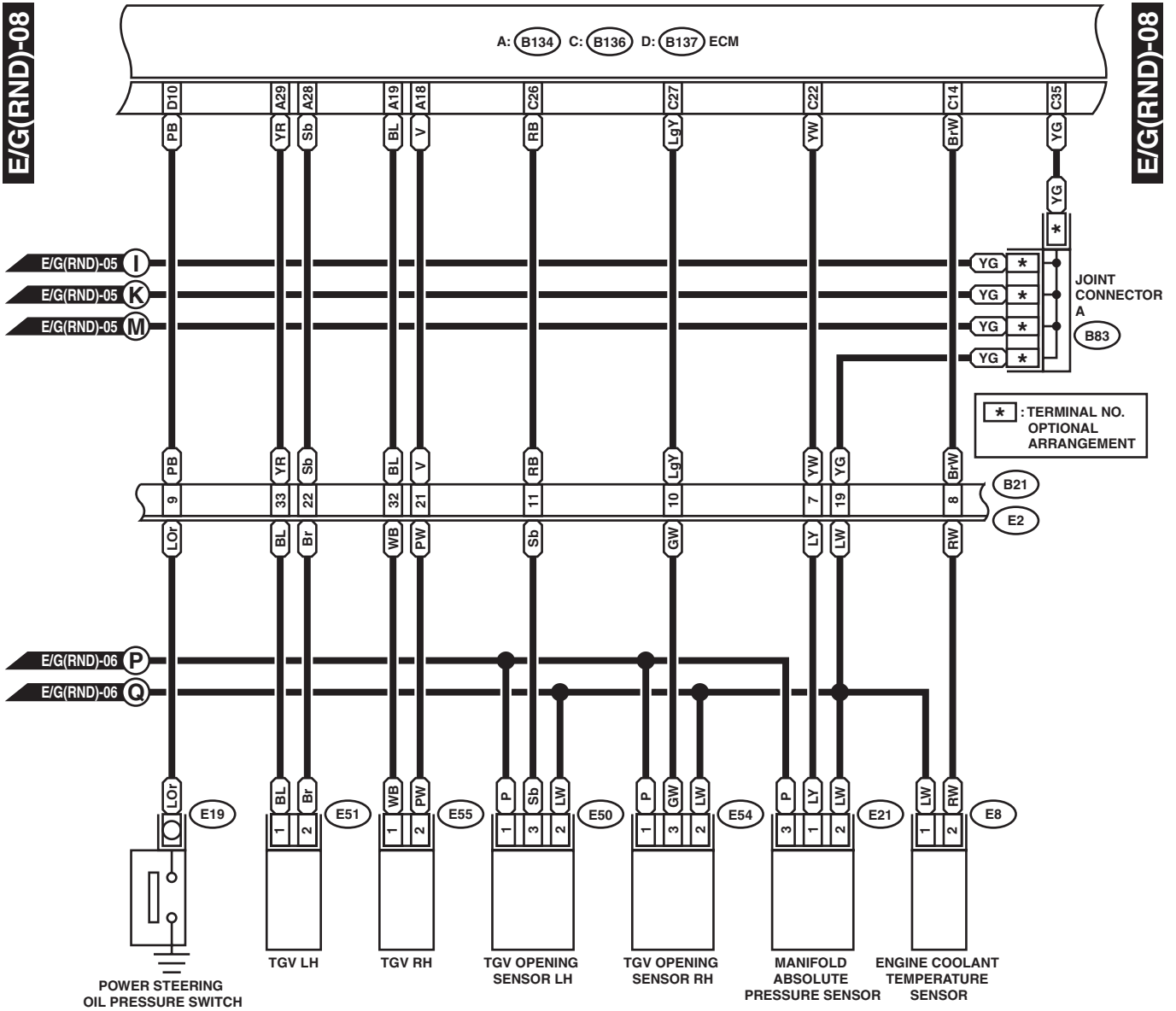
WI-04073

Engine Electrical System

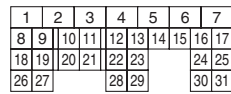
WIRING SYSTEM

E/G(RND)-08

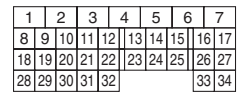
E/G(RND)-08



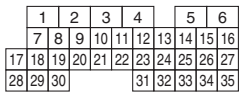
D: (B137)



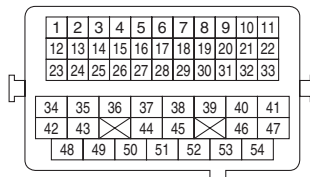
A: (B134)



C: (B136)



(B21) (BLACK)



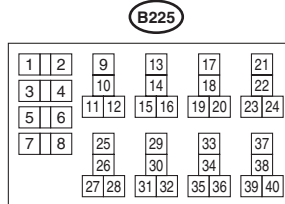
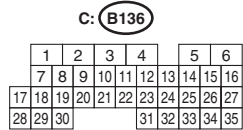
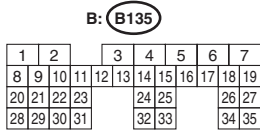
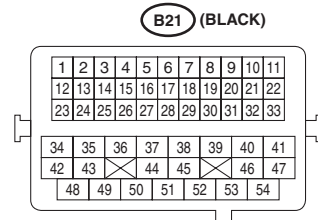
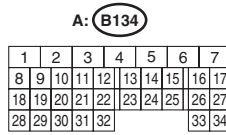
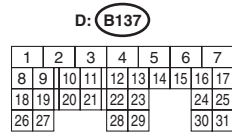
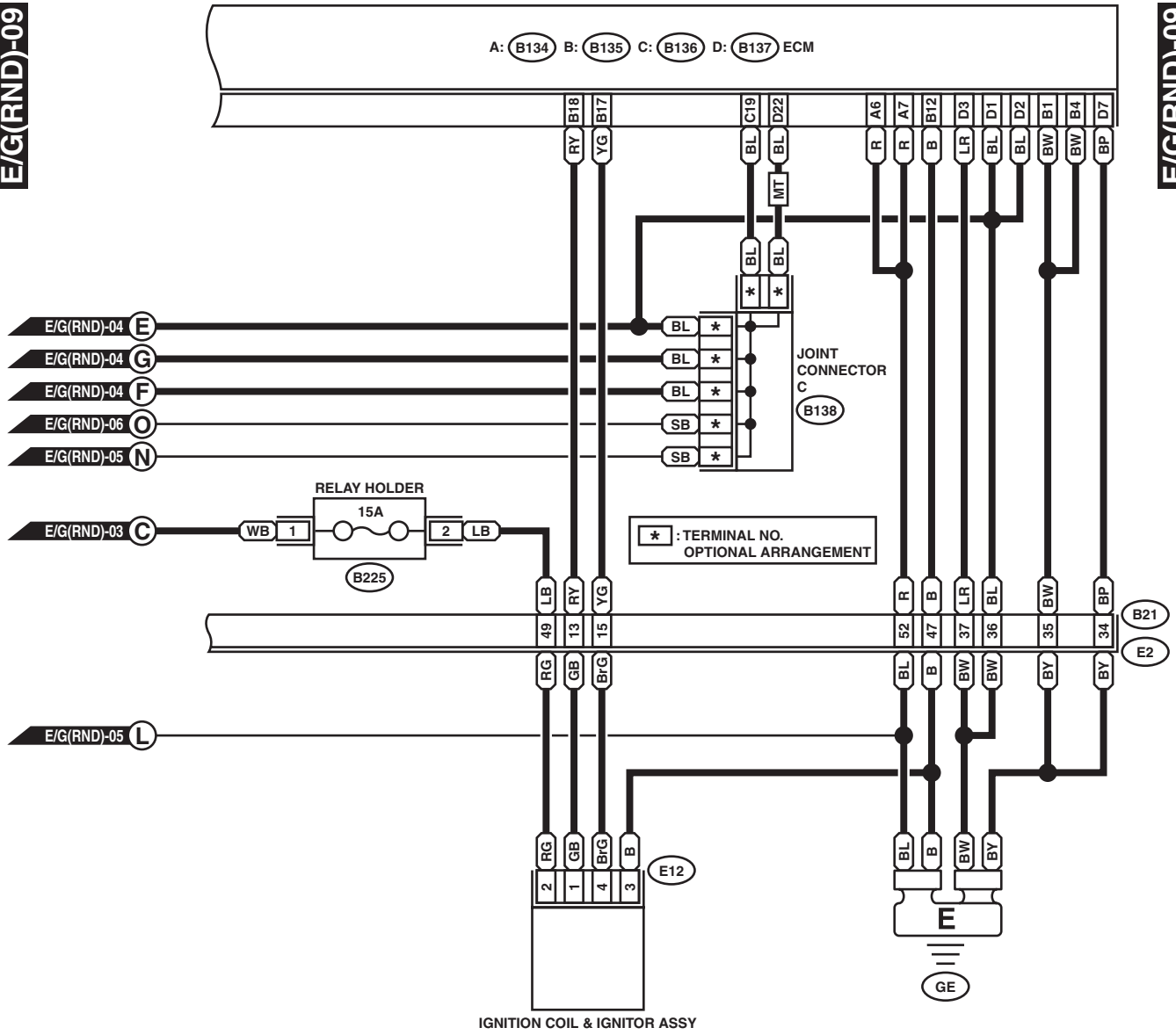
WI-04074

Engine Electrical System

WIRING SYSTEM

E/G(RND)-09

E/G(RND)-09

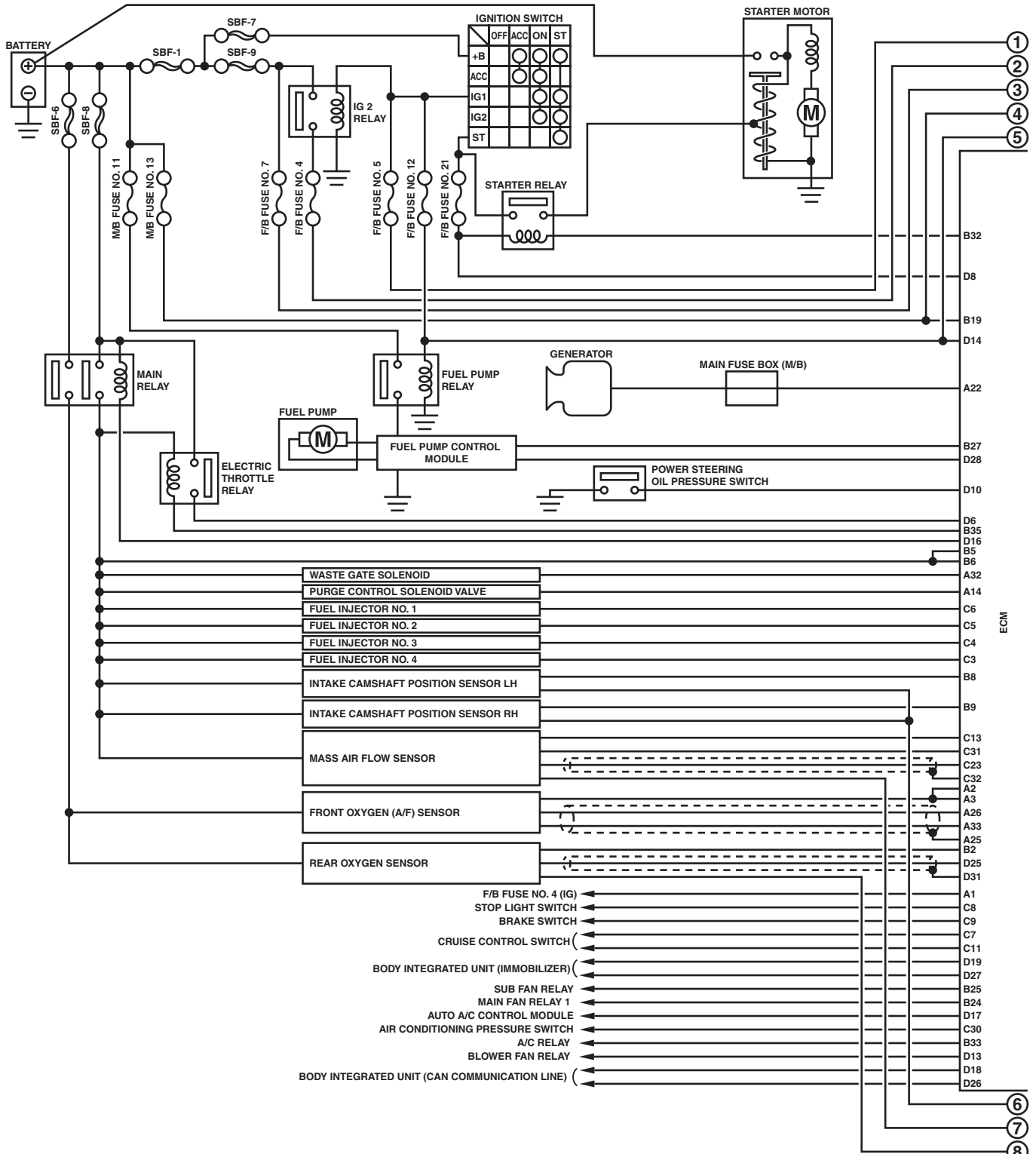


WI-04075

Engine Electrical System

WIRING SYSTEM

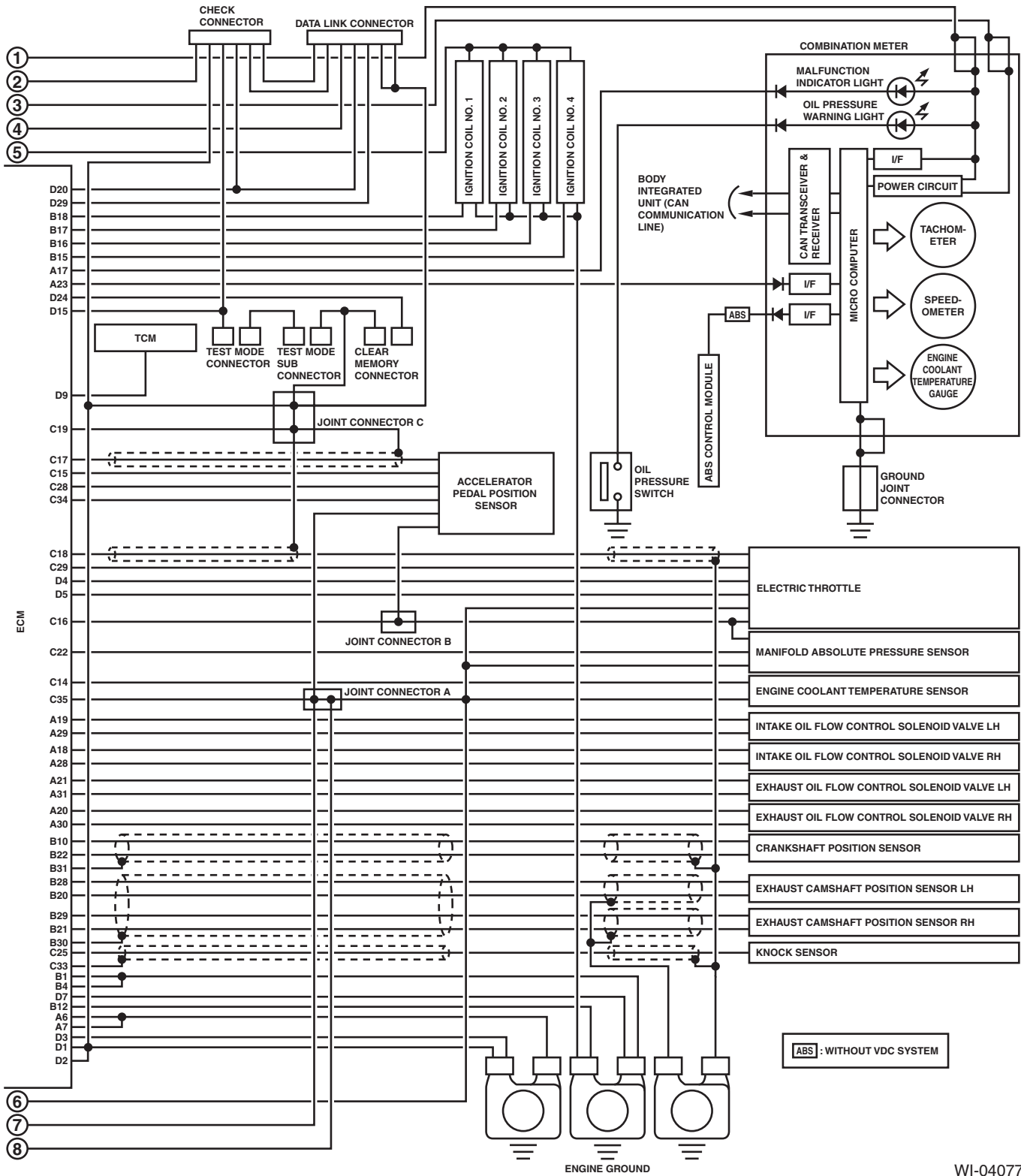
6. RHD TURBO MODEL



WI-04076

Engine Electrical System

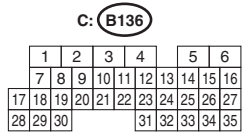
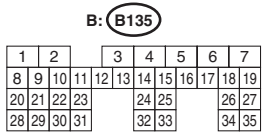
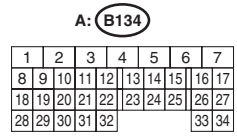
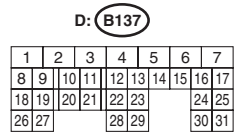
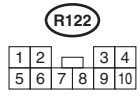
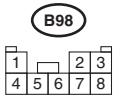
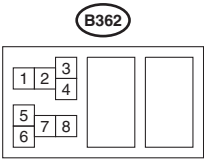
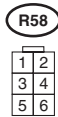
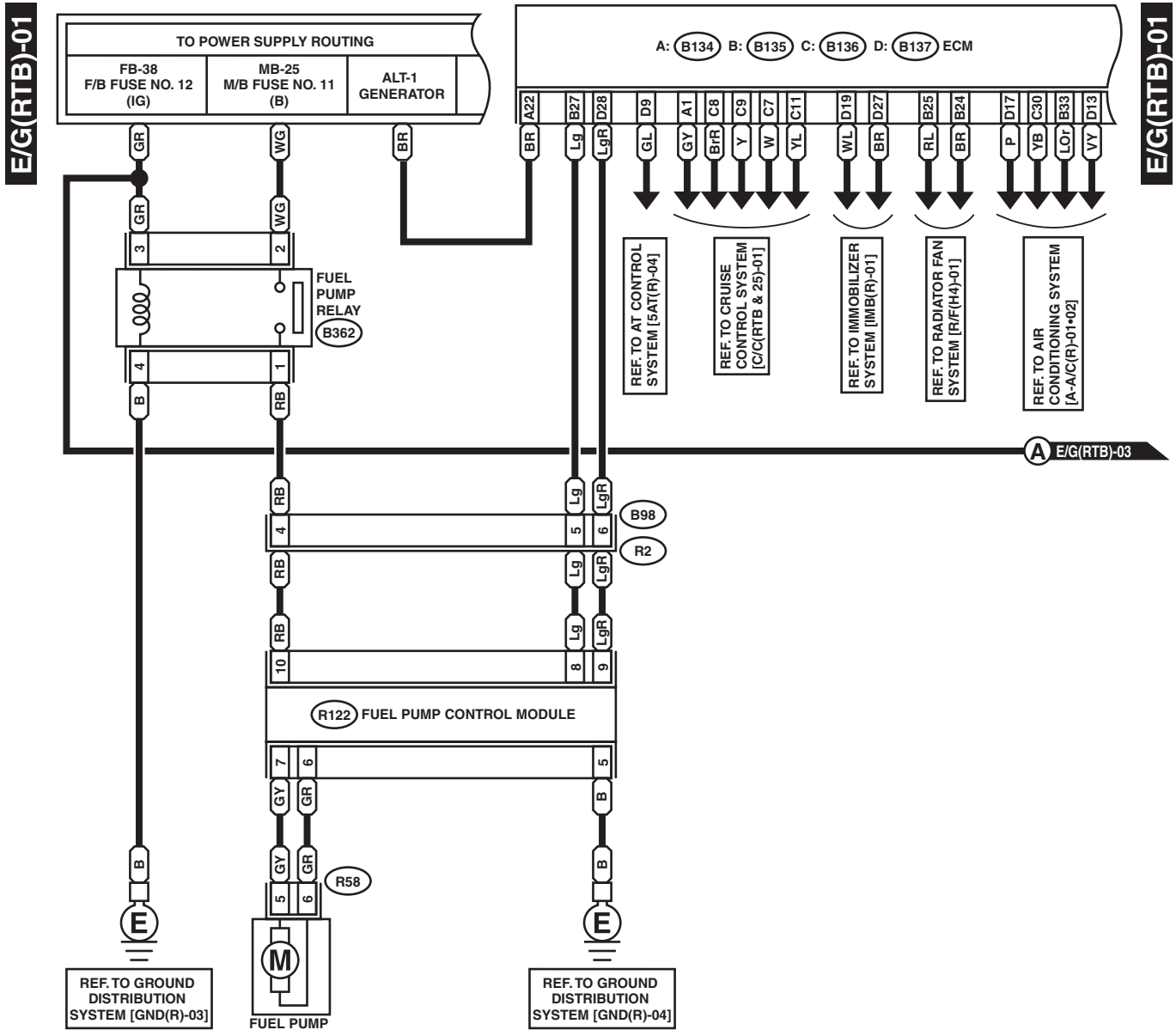
WIRING SYSTEM



WI-04077

Engine Electrical System

WIRING SYSTEM



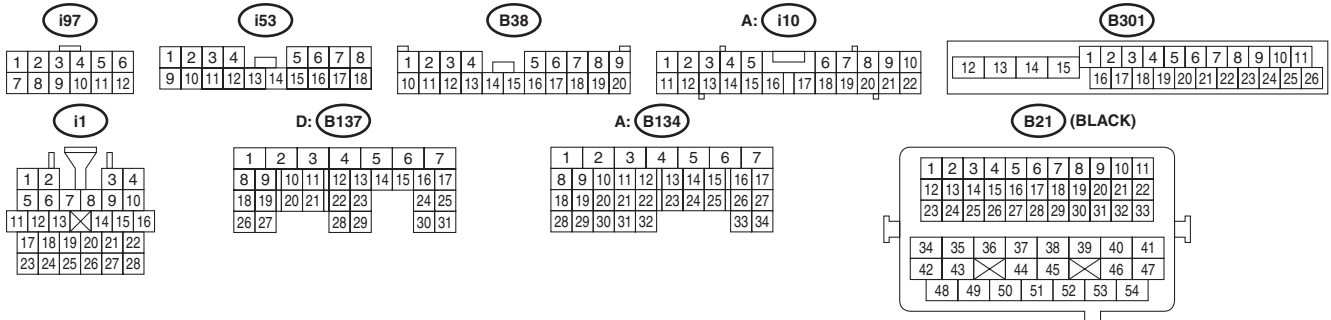
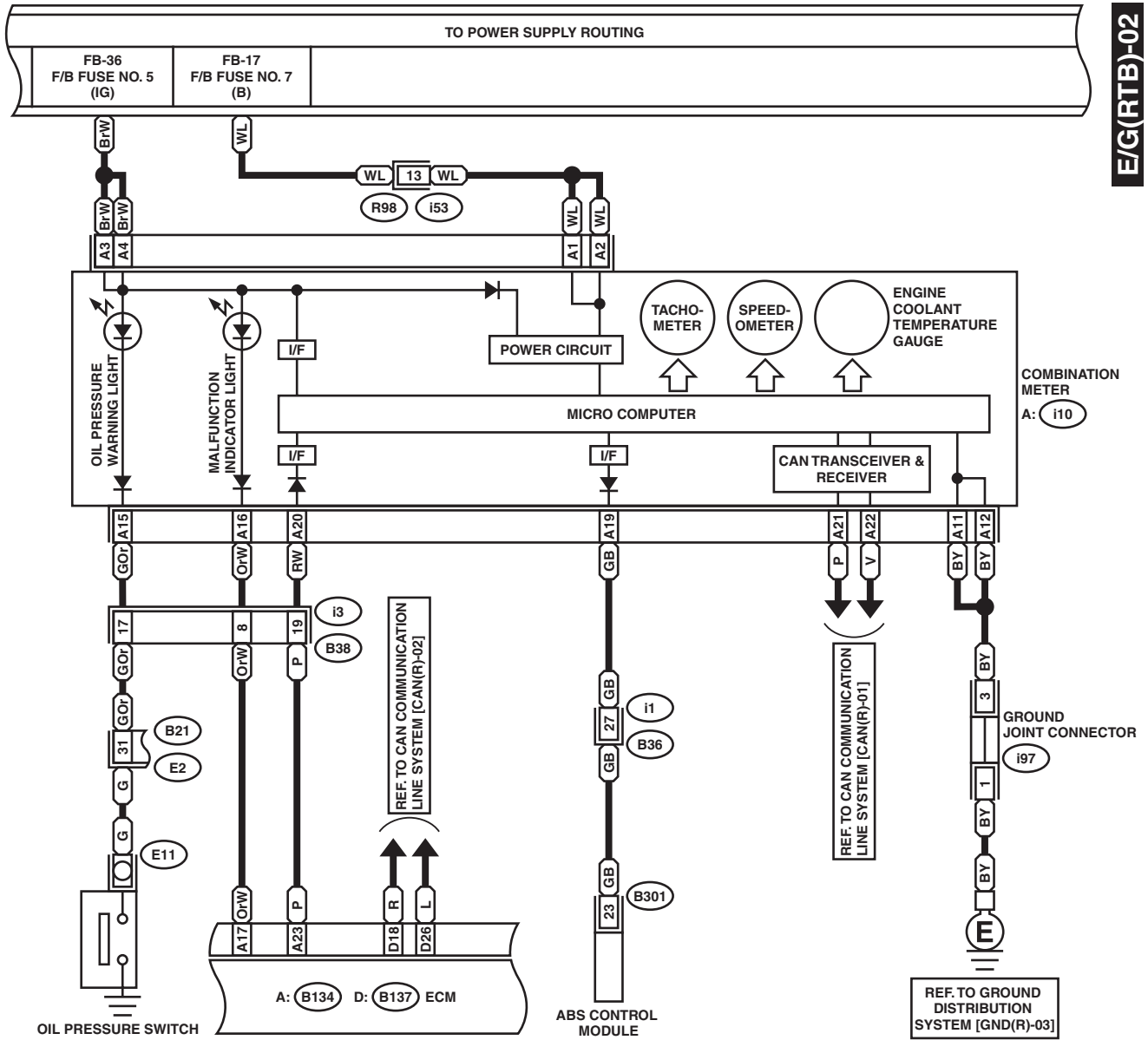
WI-04078

Engine Electrical System

WIRING SYSTEM

E/G(RTB)-02

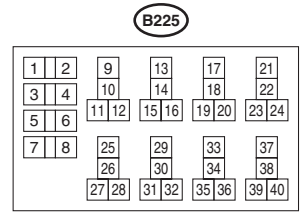
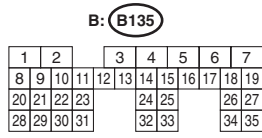
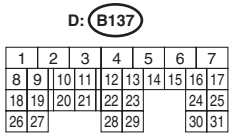
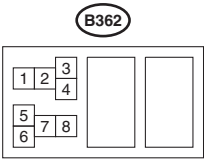
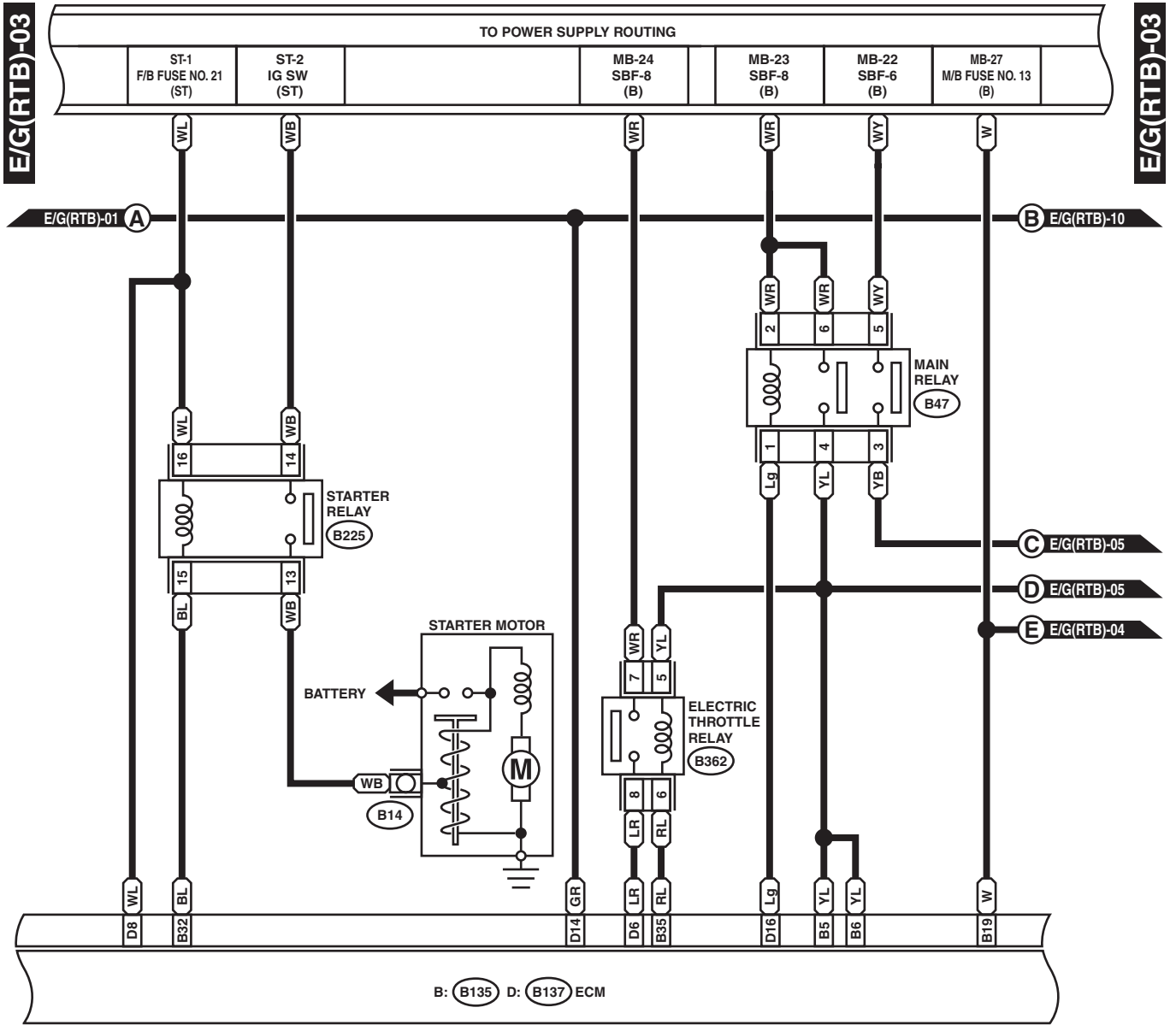
E/G(RTB)-02



WI-04079

Engine Electrical System

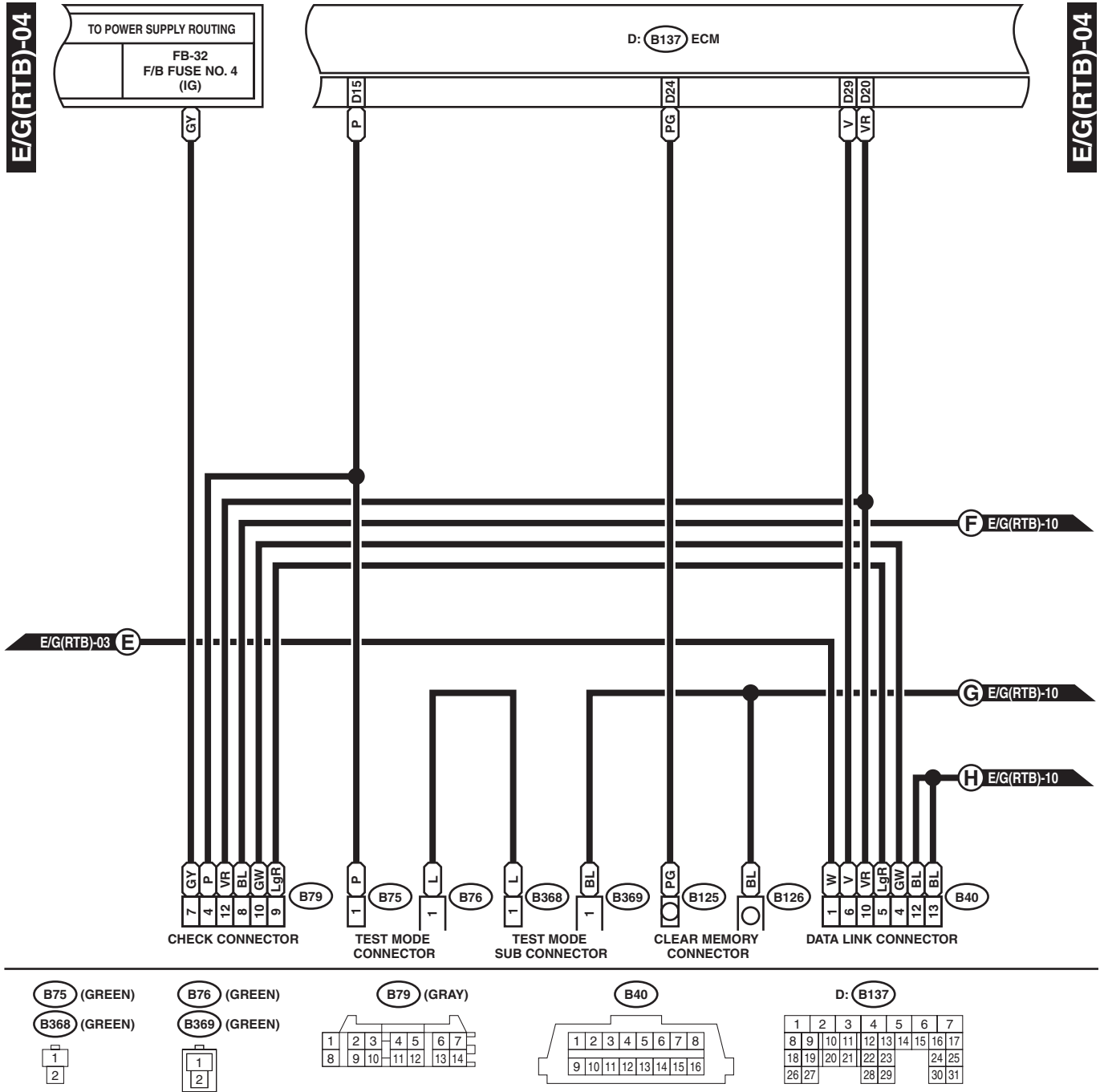
WIRING SYSTEM



WI-04080

Engine Electrical System

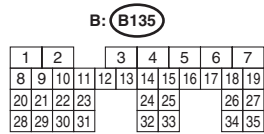
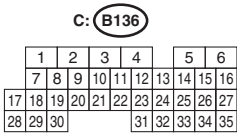
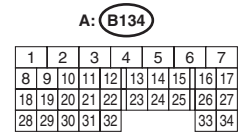
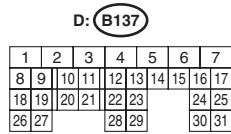
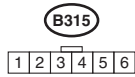
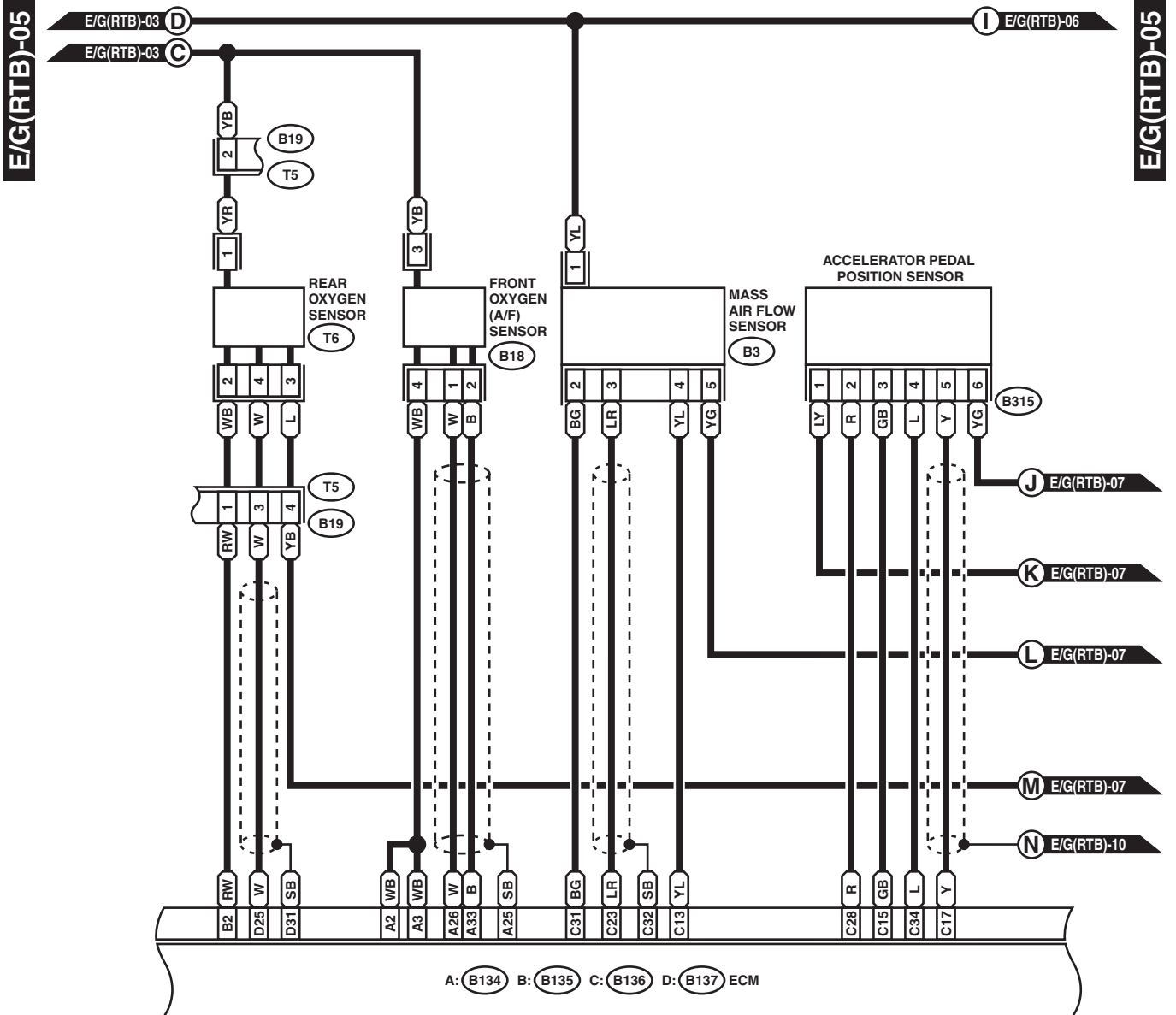
WIRING SYSTEM



WI-04081

Engine Electrical System

WIRING SYSTEM



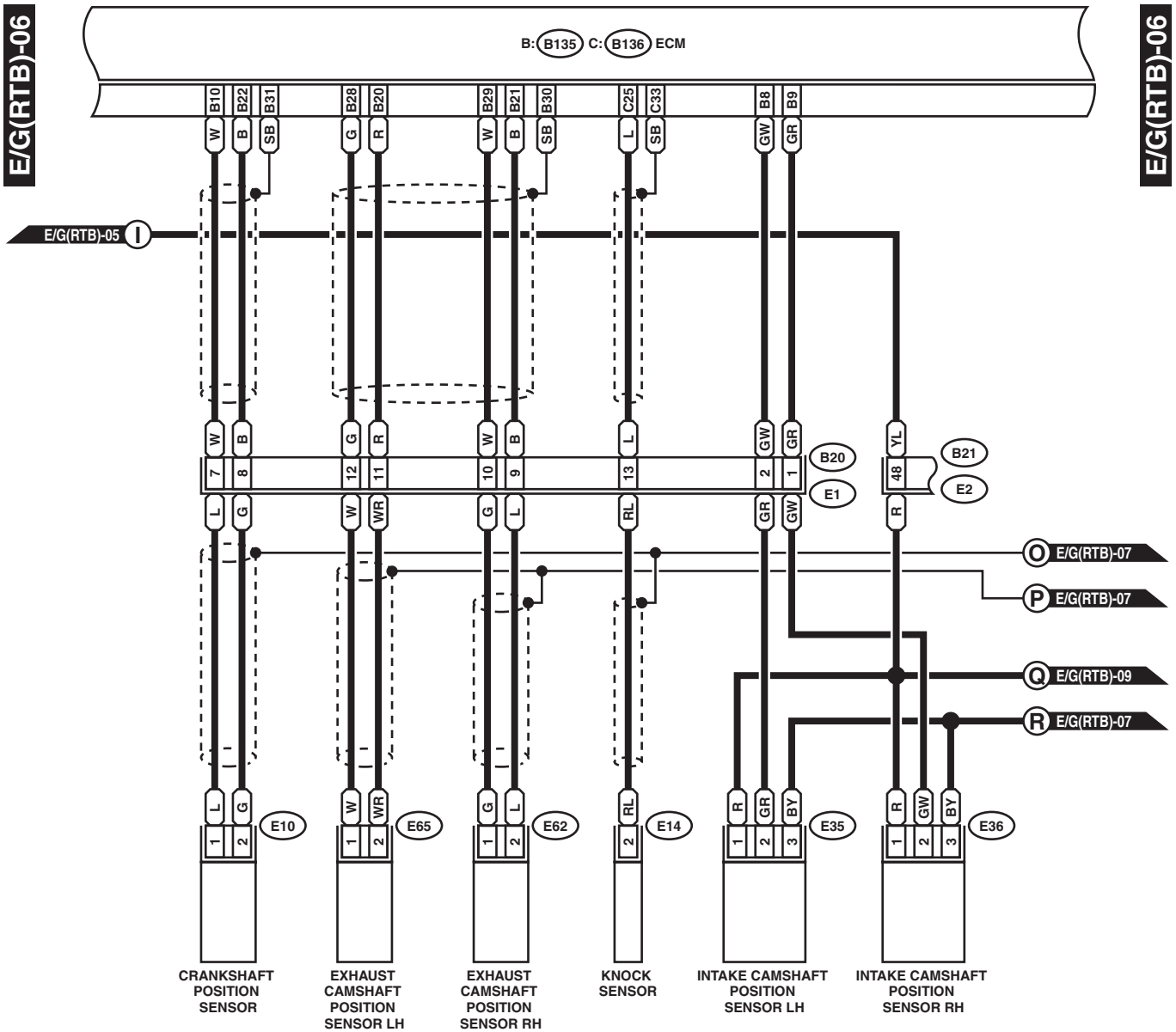
WI-04082

Engine Electrical System

WIRING SYSTEM

E/G(RTB)-06

E/G(RTB)-06



E10 (LIGHT GRAY)

E35 (LIGHT GRAY)

B20

B: B135

C: B136

E14 (BROWN)

E36 (LIGHT GRAY)

1	2	3	4
5	6	7	8
9	10	11	12
13	14	15	16

1	2	3	4	5	6	7
8	9	10	11	12	13	14
15	16	17	18	19	20	21
22	23	24	25	26	27	28
29	30	31	32	33	34	35

1	2	3	4	5	6
7	8	9	10	11	12
13	14	15	16	17	18
19	20	21	22	23	24
25	26	27	28	29	30
31	32	33	34	35	

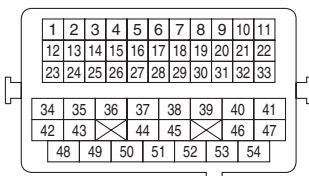
1 2

1 2 3

E62 (LIGHT GRAY)

B21 (BLACK)

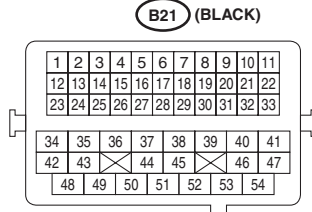
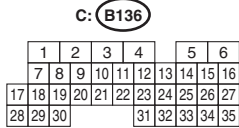
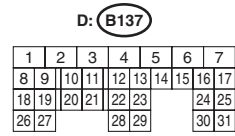
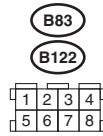
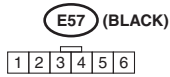
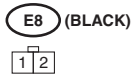
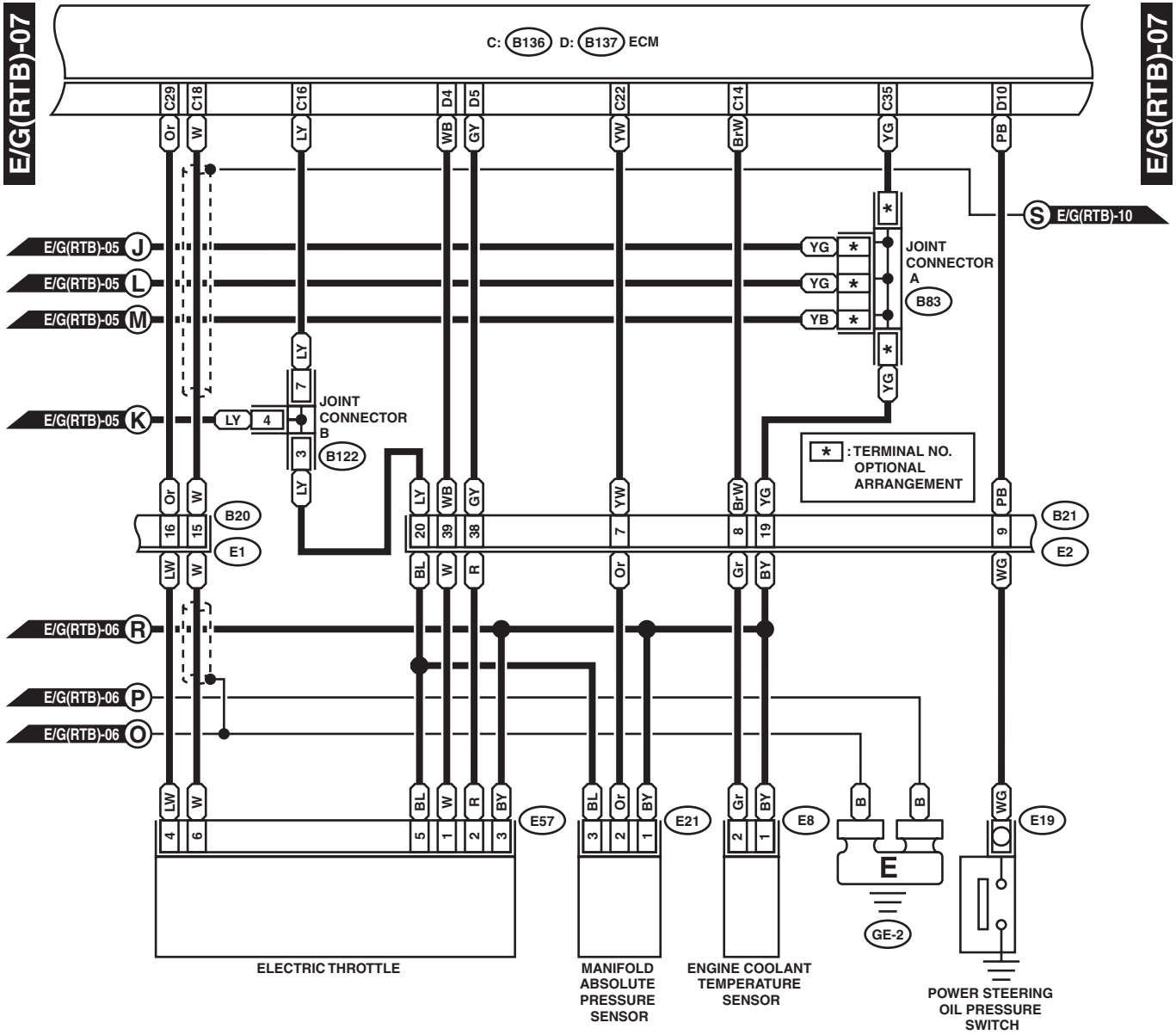
E65 (LIGHT GRAY)



WI-04083

Engine Electrical System

WIRING SYSTEM



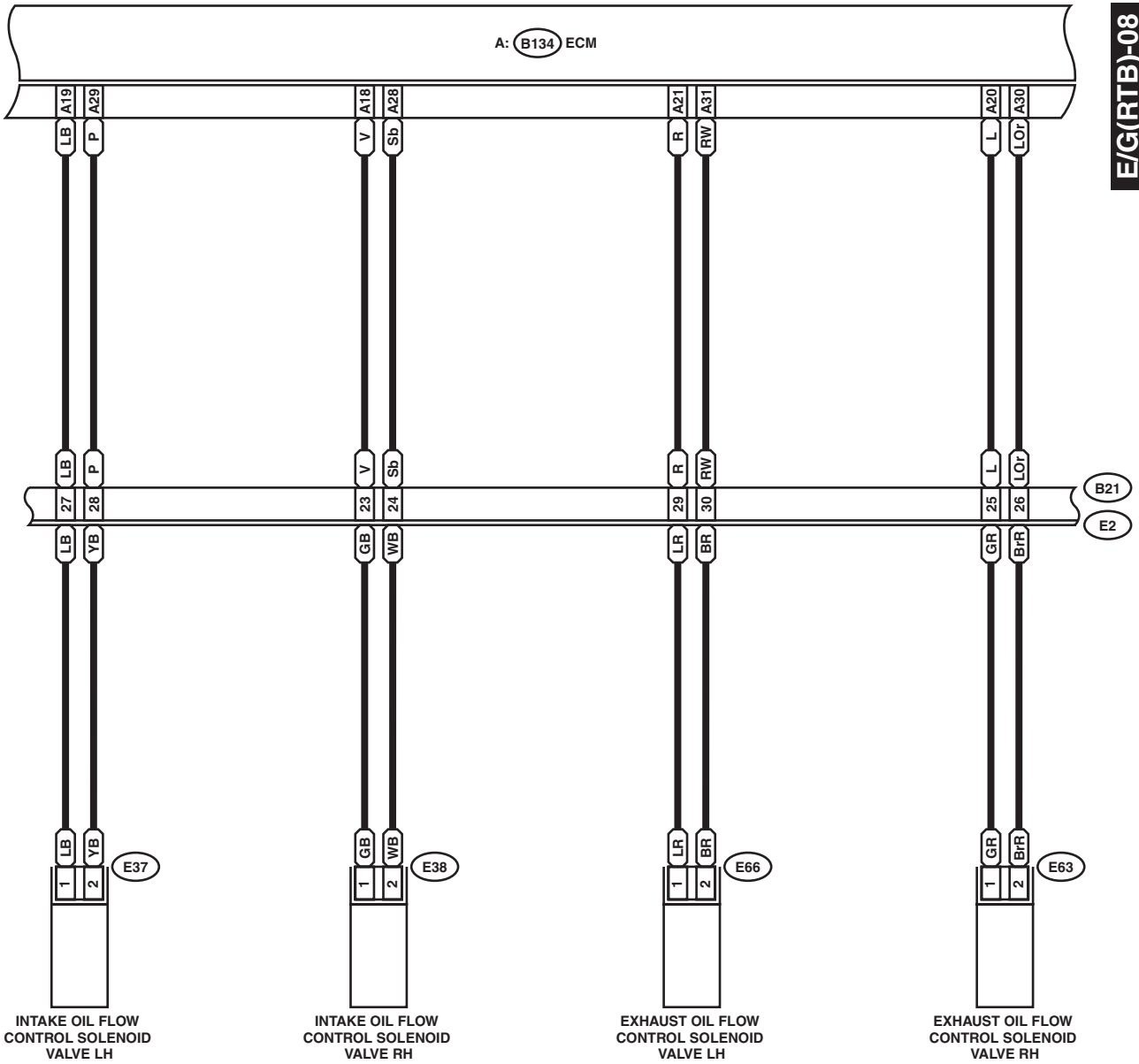
WI-04084

Engine Electrical System

WIRING SYSTEM

E/G(RTB)-08

E/G(RTB)-08



- (E37) (BLUE)
- (E38) (BLUE)
- (E63) (BLUE)
- (E66) (BLUE)
- 1 2

A: (B134)

1	2	3	4	5	6	7			
8	9	10	11	12	13	14	15	16	17
18	19	20	21	22	23	24	25	26	27
28	29	30	31	32	33	34			

(B21) (BLACK)

1	2	3	4	5	6	7	8	9	10	11
12	13	14	15	16	17	18	19	20	21	22
23	24	25	26	27	28	29	30	31	32	33
34	35	36	37	38	39	40	41			
42	43	44	45	46	47					
48	49	50	51	52	53	54				

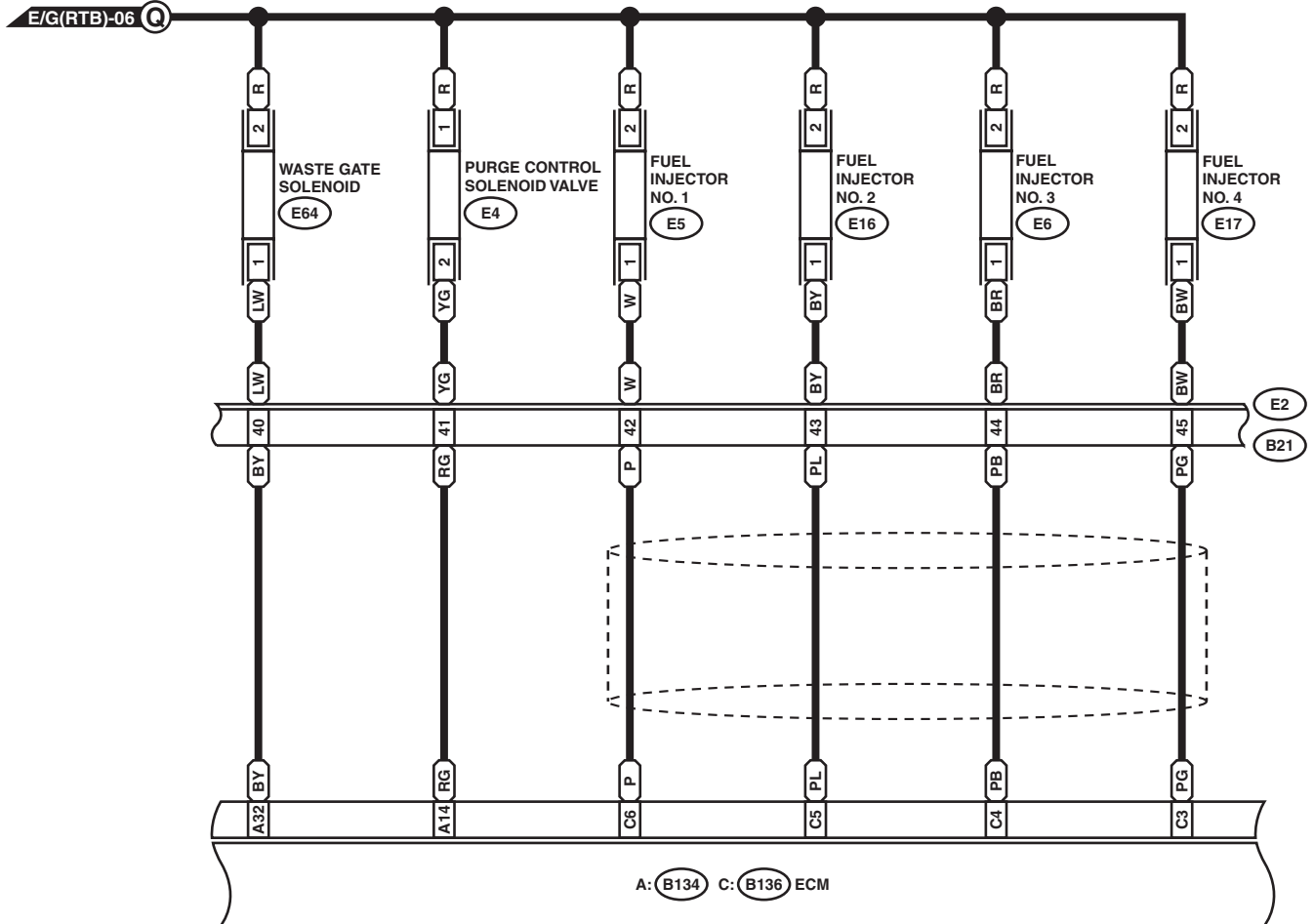
WI-04085

Engine Electrical System

WIRING SYSTEM

E/G(RTB)-09

E/G(RTB)-09



- E4 (BLACK)
- E64 (BLUE)

- E5 (LIGHT GRAY)
- E6 (BLACK)
- E16 (LIGHT GRAY)
- E17 (BLACK)

A: B134

1	2	3	4	5	6	7
8	9	10	11	12	13	14
15	16	17	18	19	20	21
22	23	24	25	26	27	28
29	30	31	32	33	34	

C: B136

1	2	3	4	5	6
7	8	9	10	11	12
13	14	15	16	17	18
19	20	21	22	23	24
25	26	27	28	29	30
31	32	33	34	35	

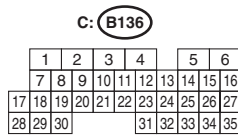
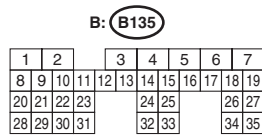
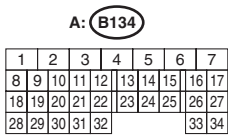
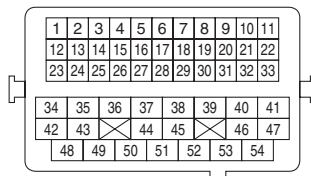
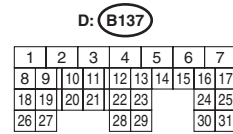
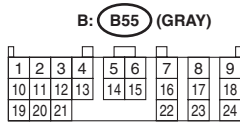
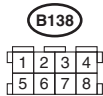
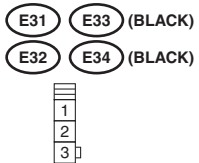
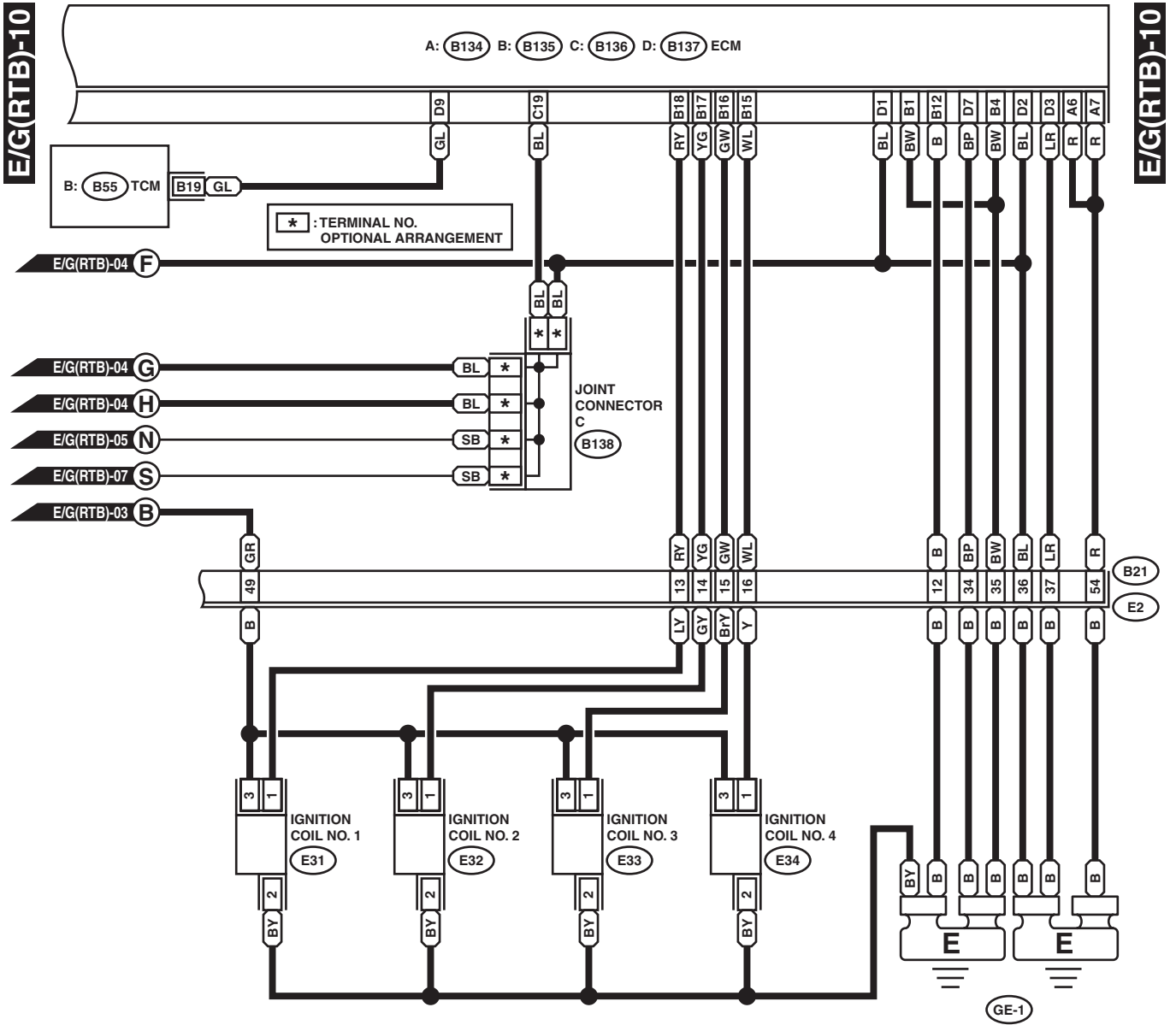
B21 (BLACK)

1	2	3	4	5	6	7	8	9	10	11
12	13	14	15	16	17	18	19	20	21	22
23	24	25	26	27	28	29	30	31	32	33
34	35	36	37	38	39	40	41			
42	43	44	45	46	47					
48	49	50	51	52	53	54				

WI-04086

Engine Electrical System

WIRING SYSTEM

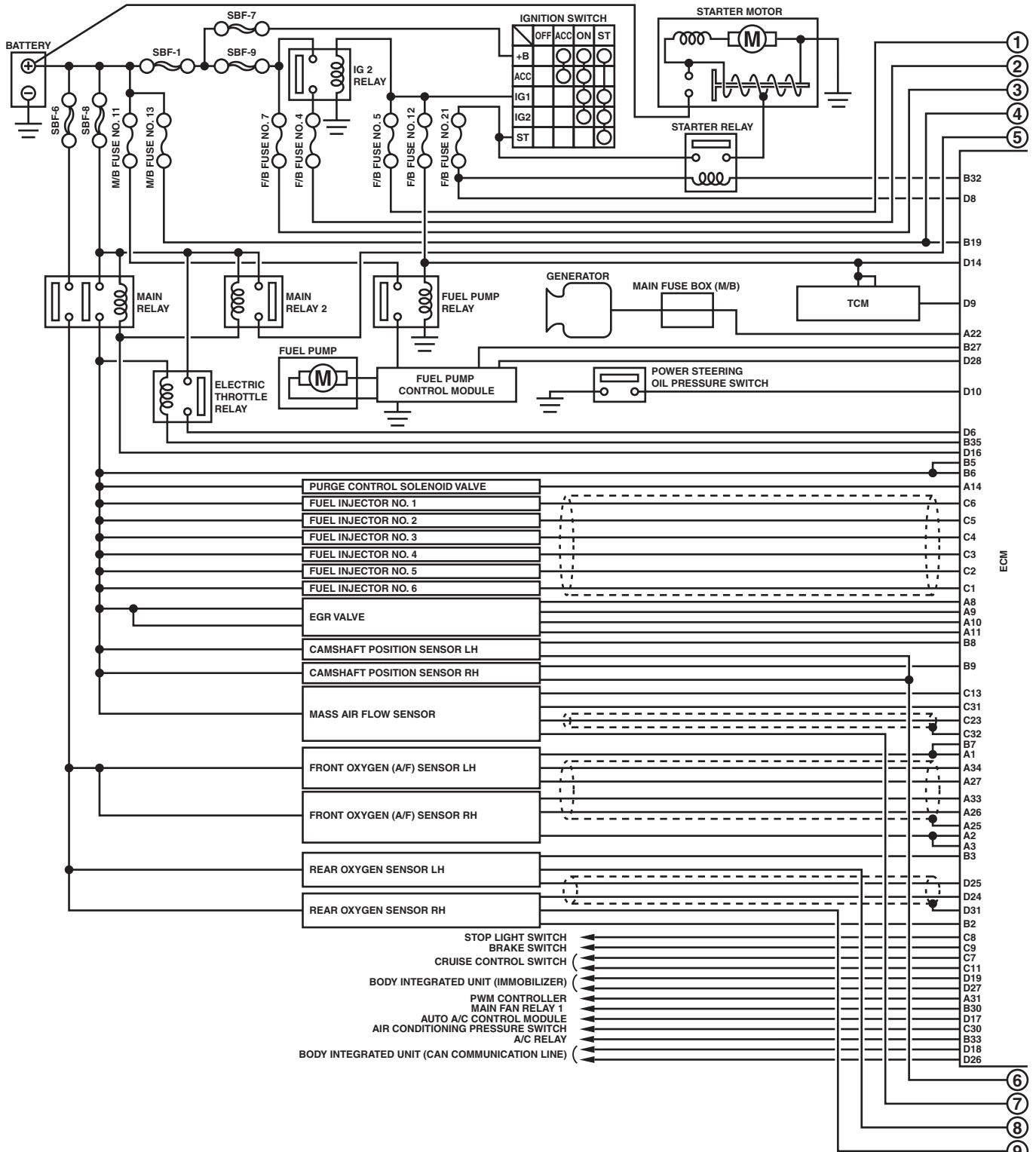


WI-04087

Engine Electrical System

WIRING SYSTEM

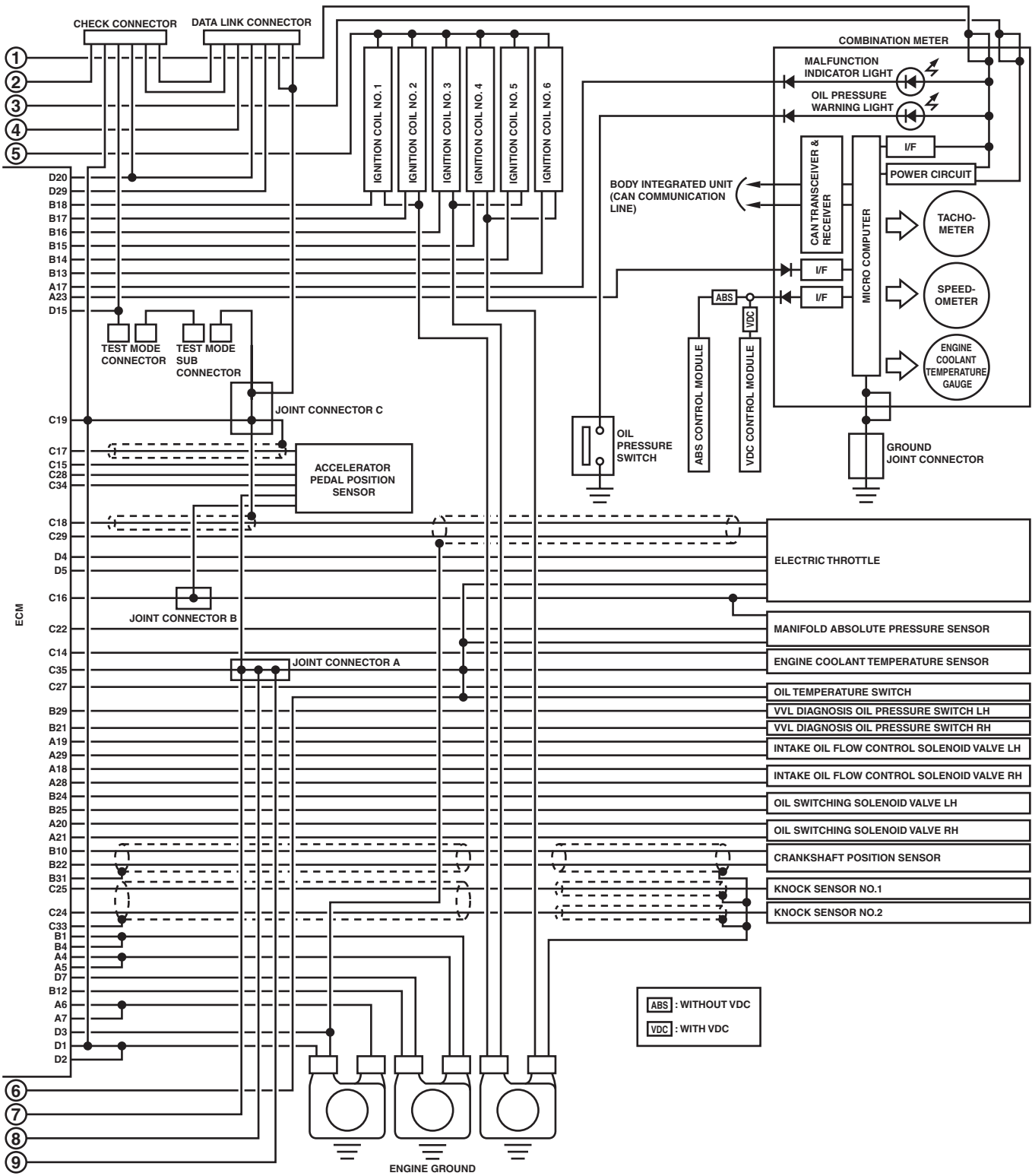
7. RHD 3.0 L MODEL



WI-04088

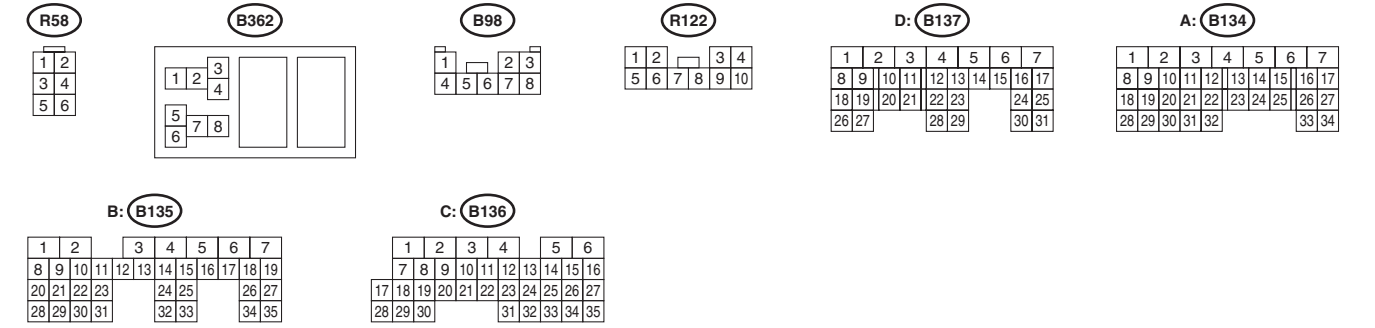
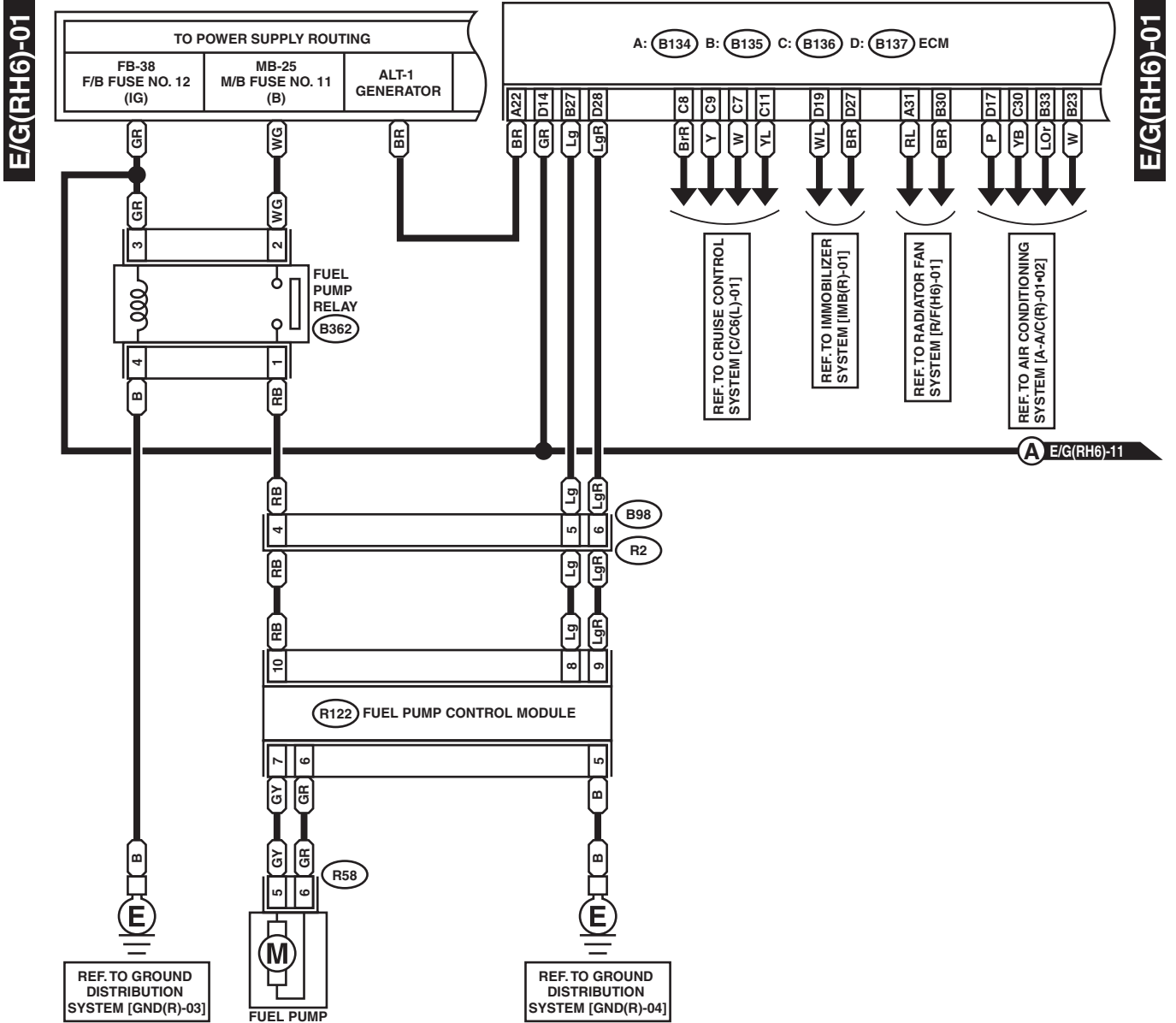
Engine Electrical System

WIRING SYSTEM



Engine Electrical System

WIRING SYSTEM



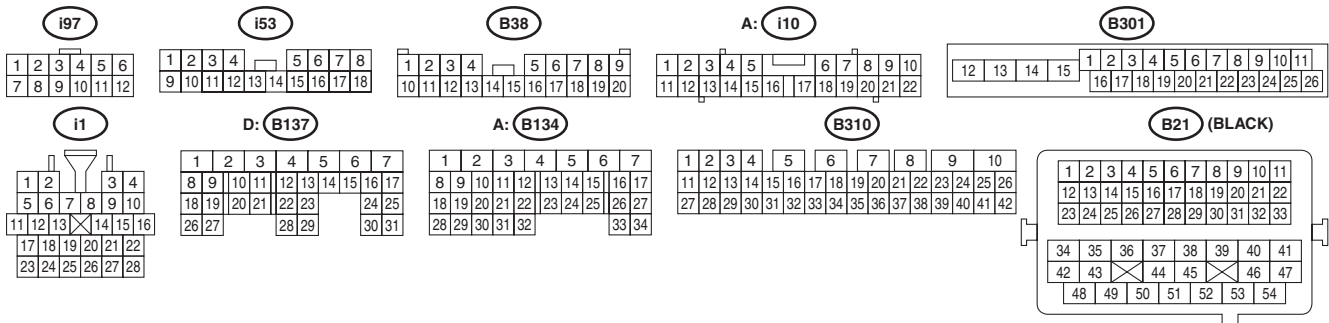
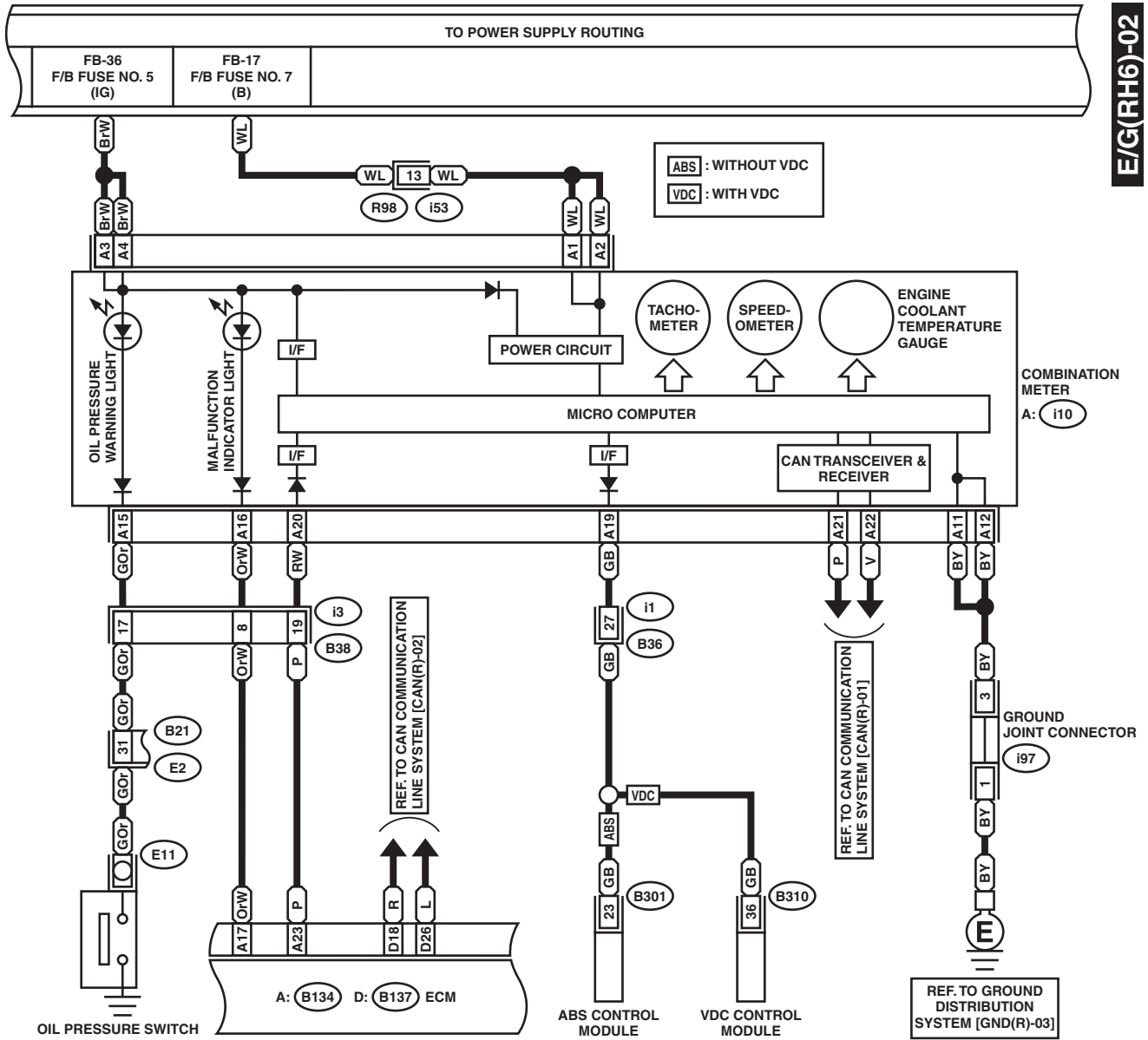
WI-04090

Engine Electrical System

WIRING SYSTEM

E/G(RH6)-02

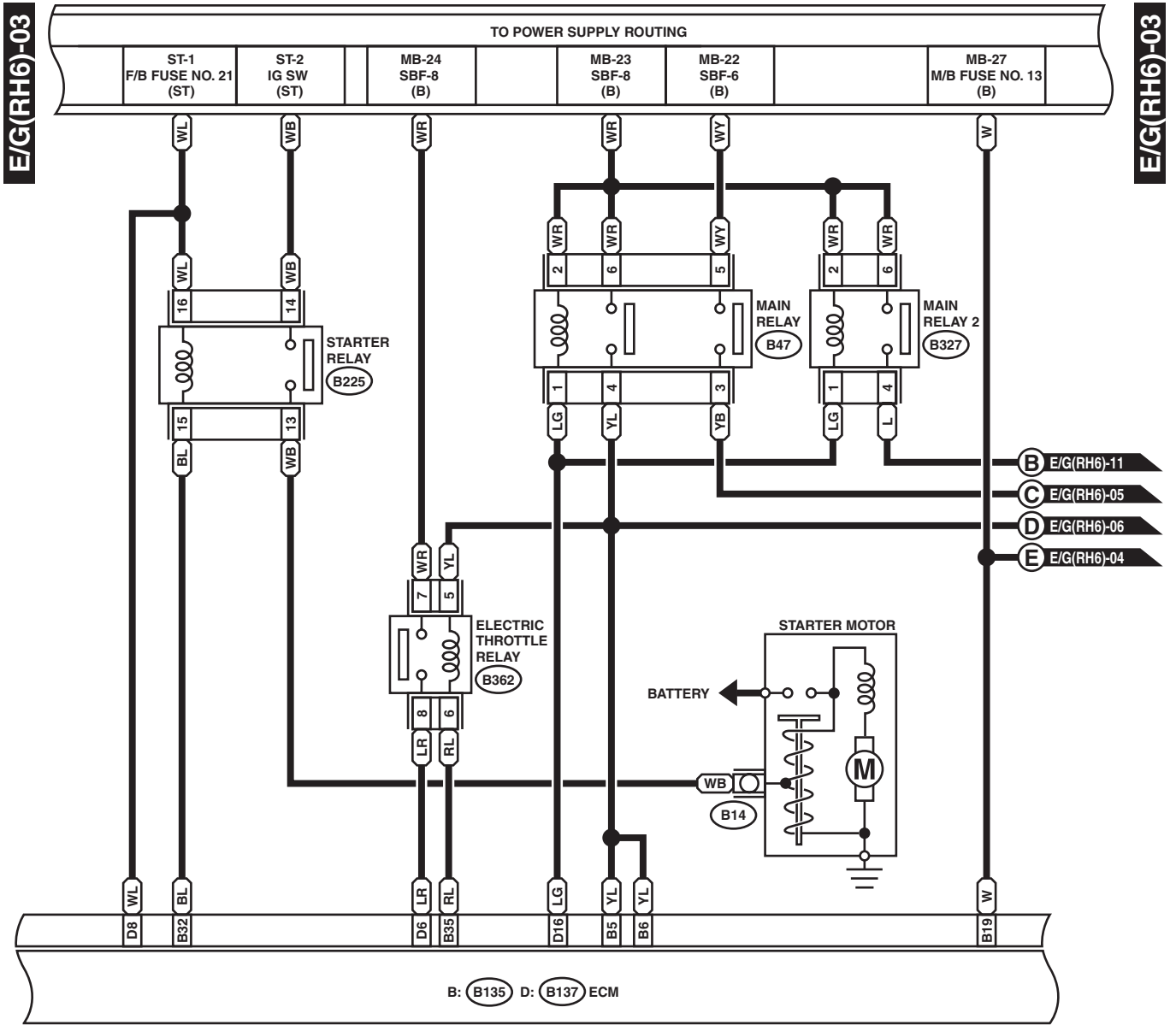
E/G(RH6)-02



WI-04091

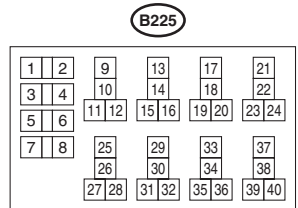
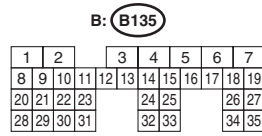
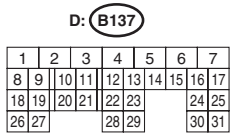
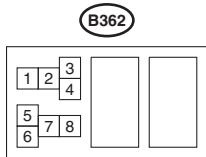
Engine Electrical System

WIRING SYSTEM



E/G(RH6)-03

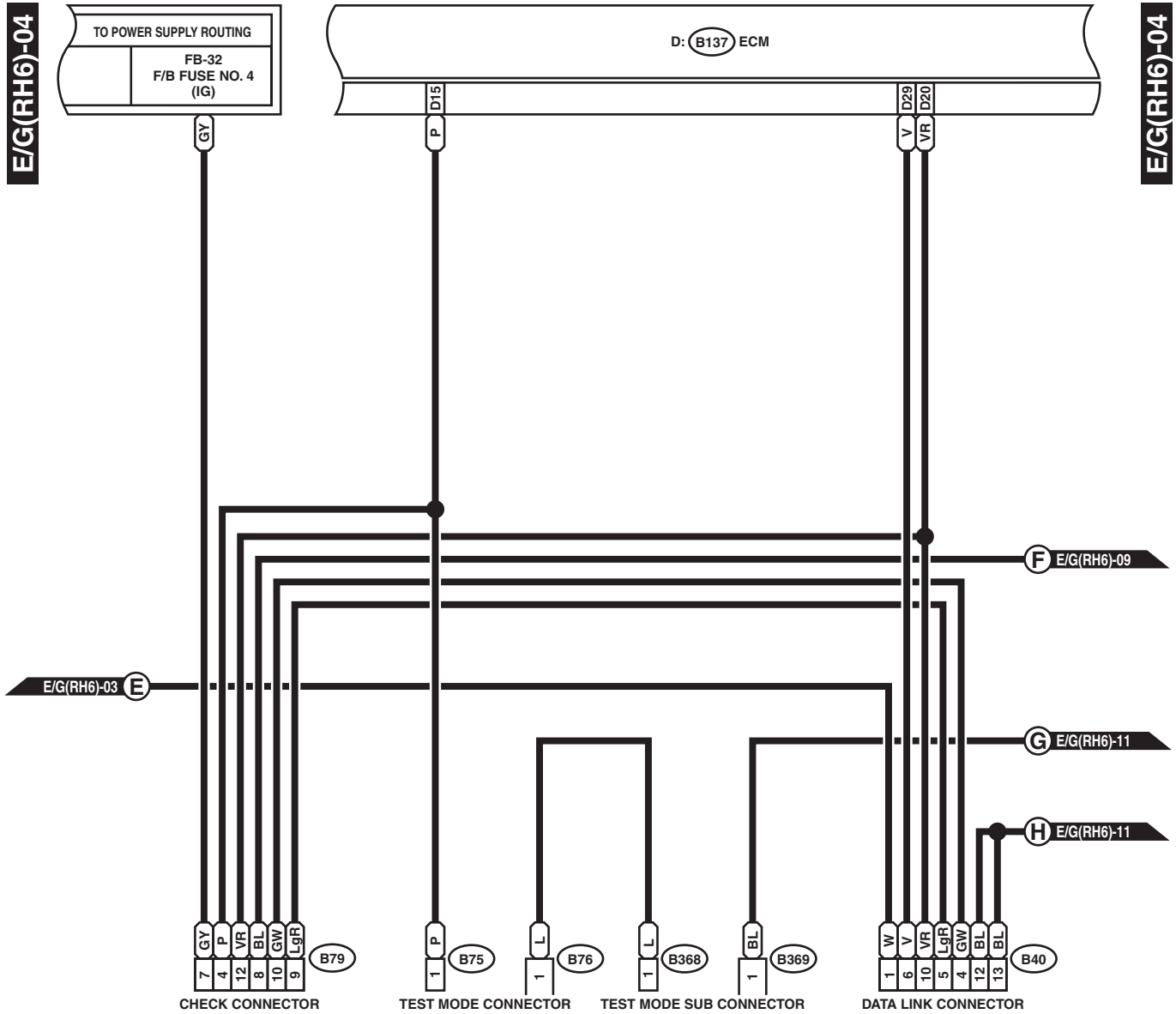
E/G(RH6)-03



WI-04092

Engine Electrical System

WIRING SYSTEM



B75 (GREEN)

B76 (GREEN)

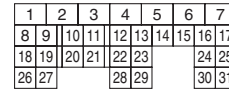
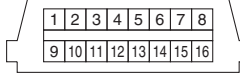
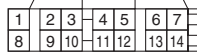
B79 (GRAY)

B40

D: B137

B368 (GREEN)

B369 (GREEN)



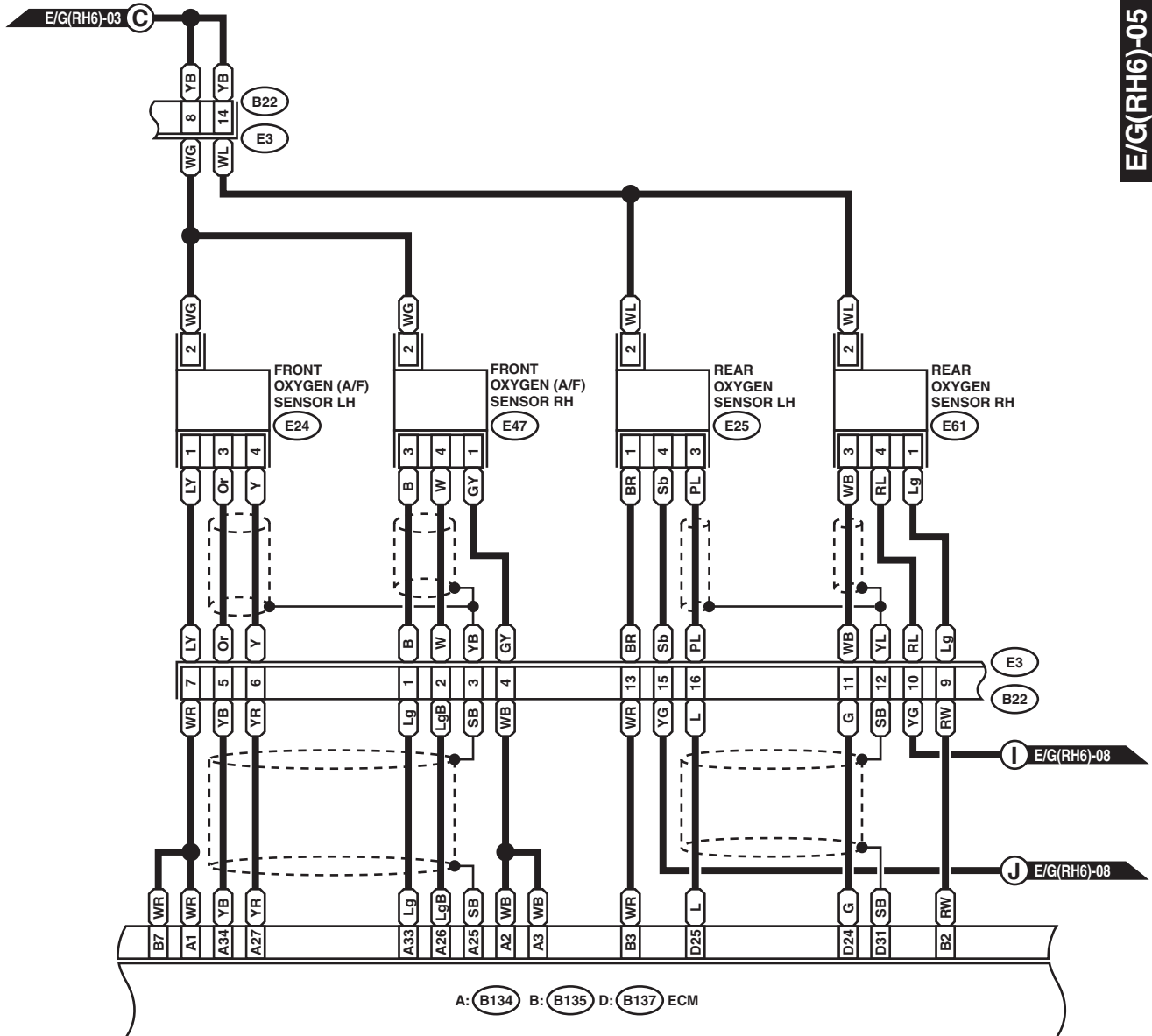
WI-04093

Engine Electrical System

WIRING SYSTEM

E/G(RH6)-05

E/G(RH6)-05



E24 (BLACK)

B22

D: B137

A: B134

B: B135

E25 (DARK GRAY)

E47 (BLACK)

E61 (DARK GRAY)

1	2
3	4

1	2	3	4
5	6	7	8
9	10	11	12
13	14	15	16

1	2	3	4	5	6	7
8	9	10	11	12	13	14
15	16	17	18	19	20	21
22	23	24	25	26	27	28
29	30	31	32	33	34	35

1	2	3	4	5	6	7
8	9	10	11	12	13	14
15	16	17	18	19	20	21
22	23	24	25	26	27	28
29	30	31	32	33	34	35

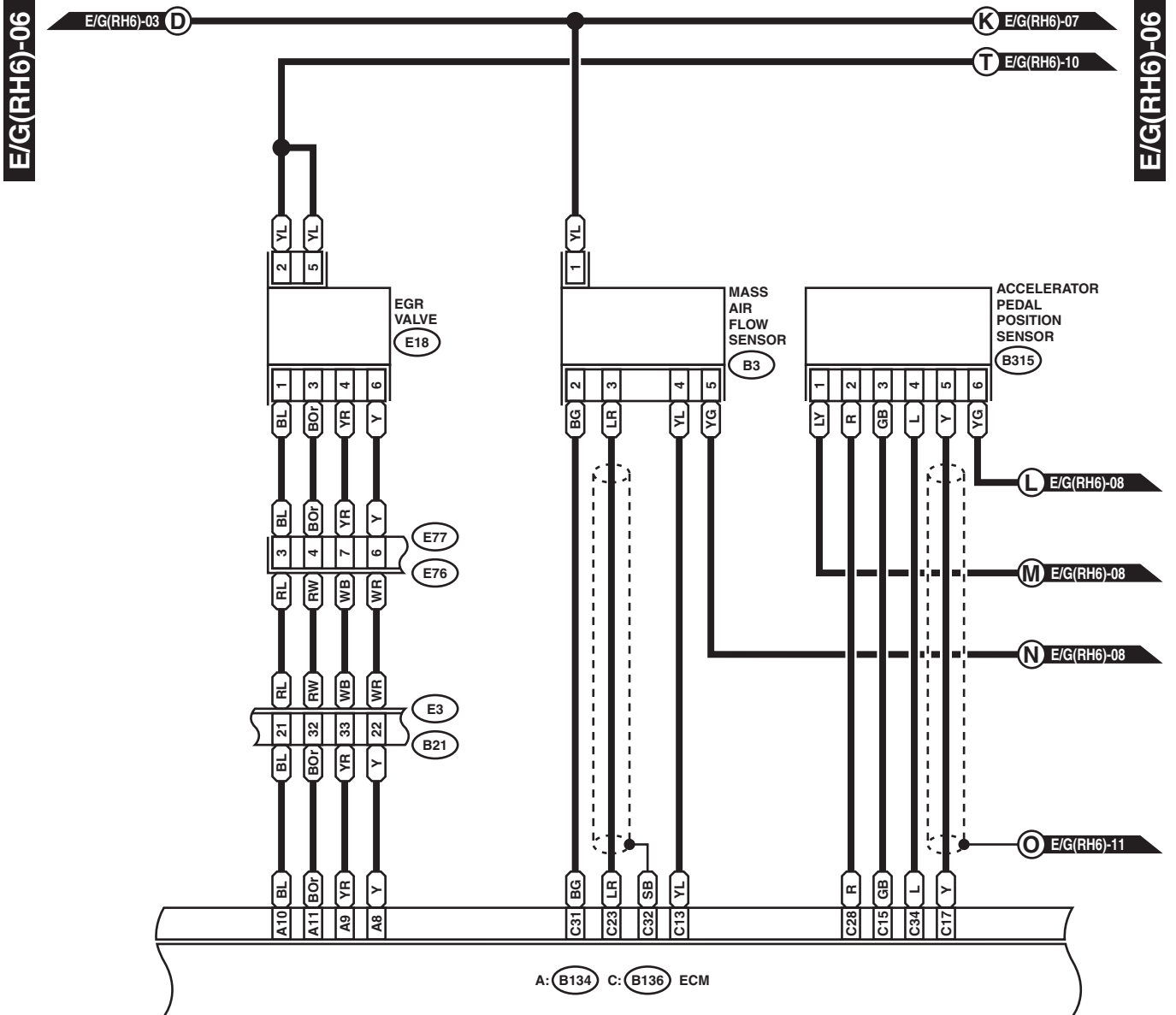
1	2	3	4	5	6	7
8	9	10	11	12	13	14
15	16	17	18	19	20	21
22	23	24	25	26	27	28
29	30	31	32	33	34	35

1	2	3	4	5	6	7
8	9	10	11	12	13	14
15	16	17	18	19	20	21
22	23	24	25	26	27	28
29	30	31	32	33	34	35

WI-04094

Engine Electrical System

WIRING SYSTEM



B3 (BLACK)

1	2	3	4	5
---	---	---	---	---

B315 (BLACK)

1	2	3	4	5	6
---	---	---	---	---	---

E18 (DARK GRAY)

1	2	3
4	5	6

E77 (GRAY)

1	2	3	4
5	6	7	8
9	10		

A: B134

1	2	3	4	5	6	7
8	9	10	11	12	13	14
15	16	17	18	19	20	21
22	23	24	25	26	27	
28	29	30	31	32		33
						34

B21 (BLACK)

C: B136

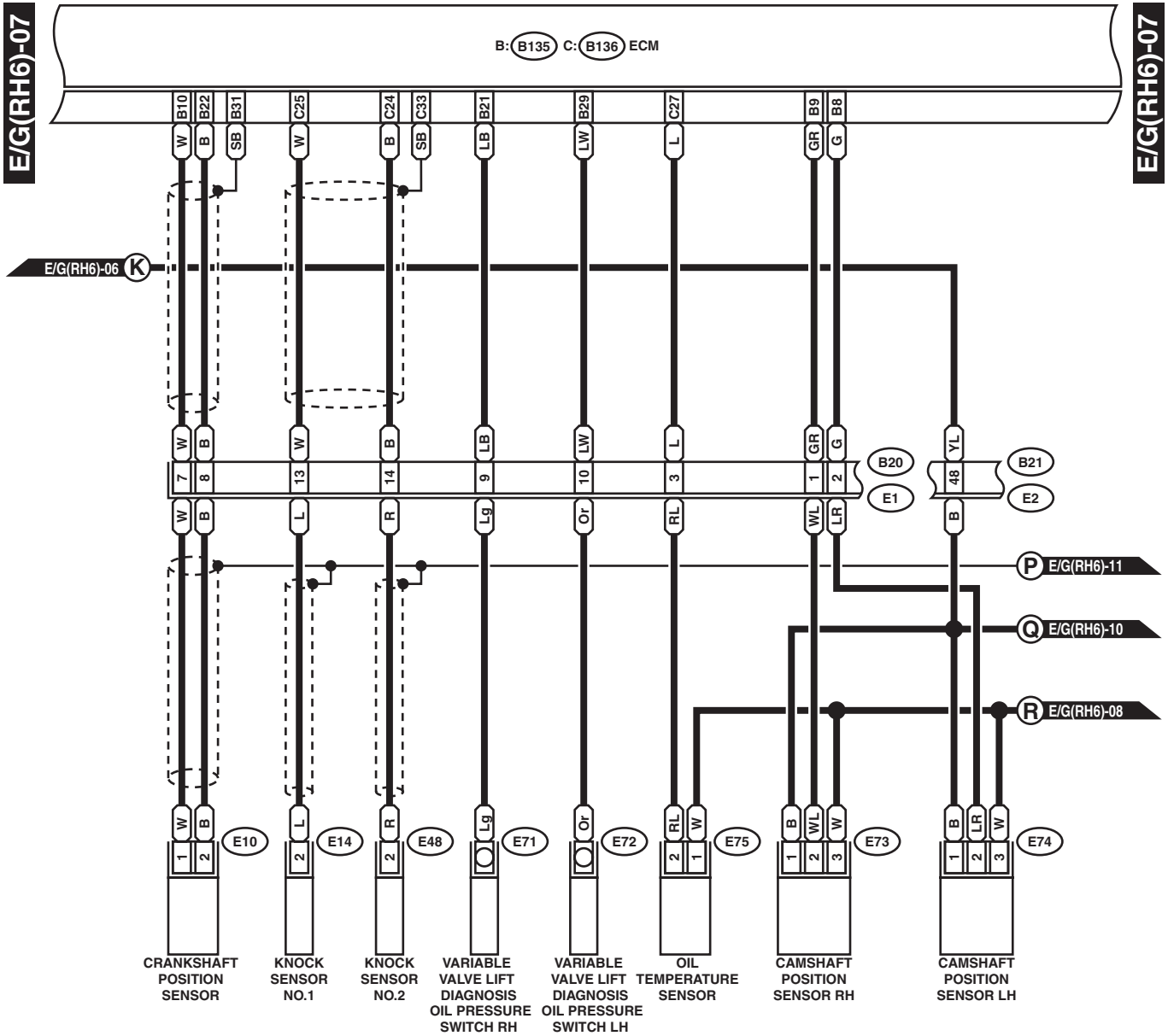
1	2	3	4	5	6
7	8	9	10	11	12
13	14	15	16	17	18
19	20	21	22	23	24
25	26	27	28	29	30
31	32	33	34	35	

1	2	3	4	5	6	7	8	9	10	11
12	13	14	15	16	17	18	19	20	21	22
23	24	25	26	27	28	29	30	31	32	33
34	35	36	37	38	39	40	41			
42	43	44	45	46	47					
48	49	50	51	52	53	54				

WI-04095

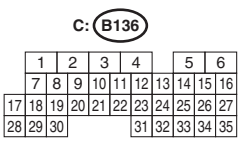
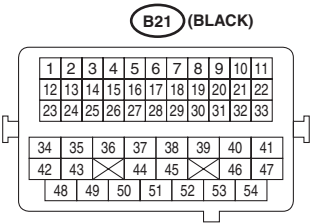
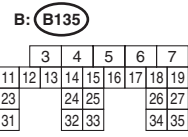
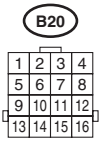
Engine Electrical System

WIRING SYSTEM



- E10 (LIGHT GRAY)
- E14 (GREEN)
- E48 (GREEN)
- E75 (BLACK)

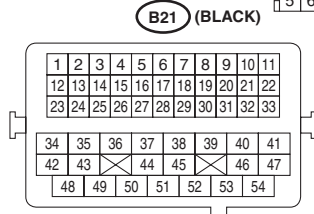
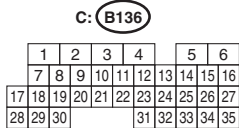
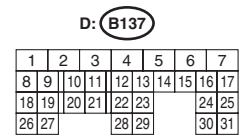
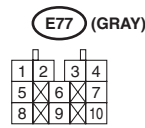
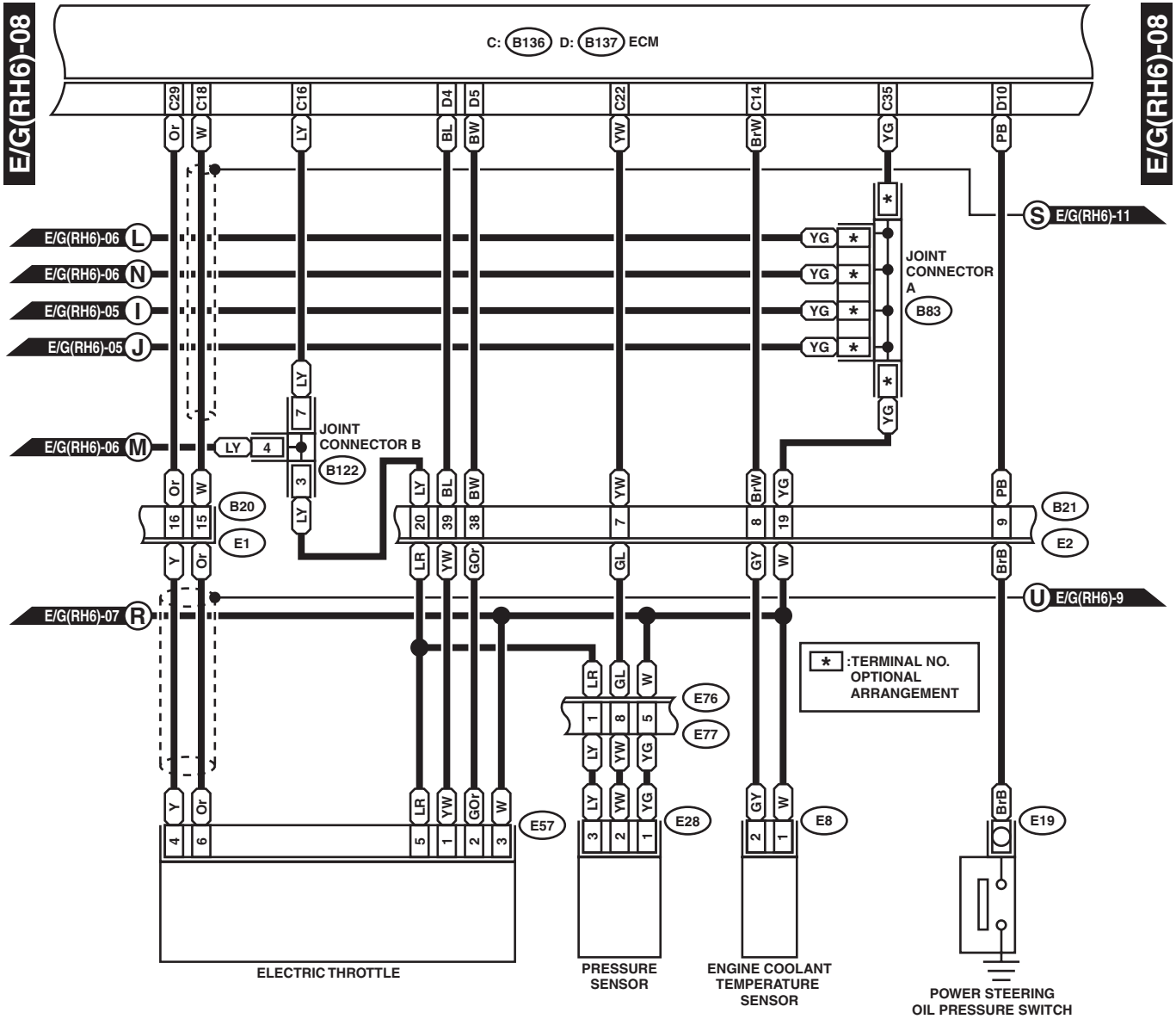
- E73 (GRAY)
- E74 (GRAY)



WI-04096

Engine Electrical System

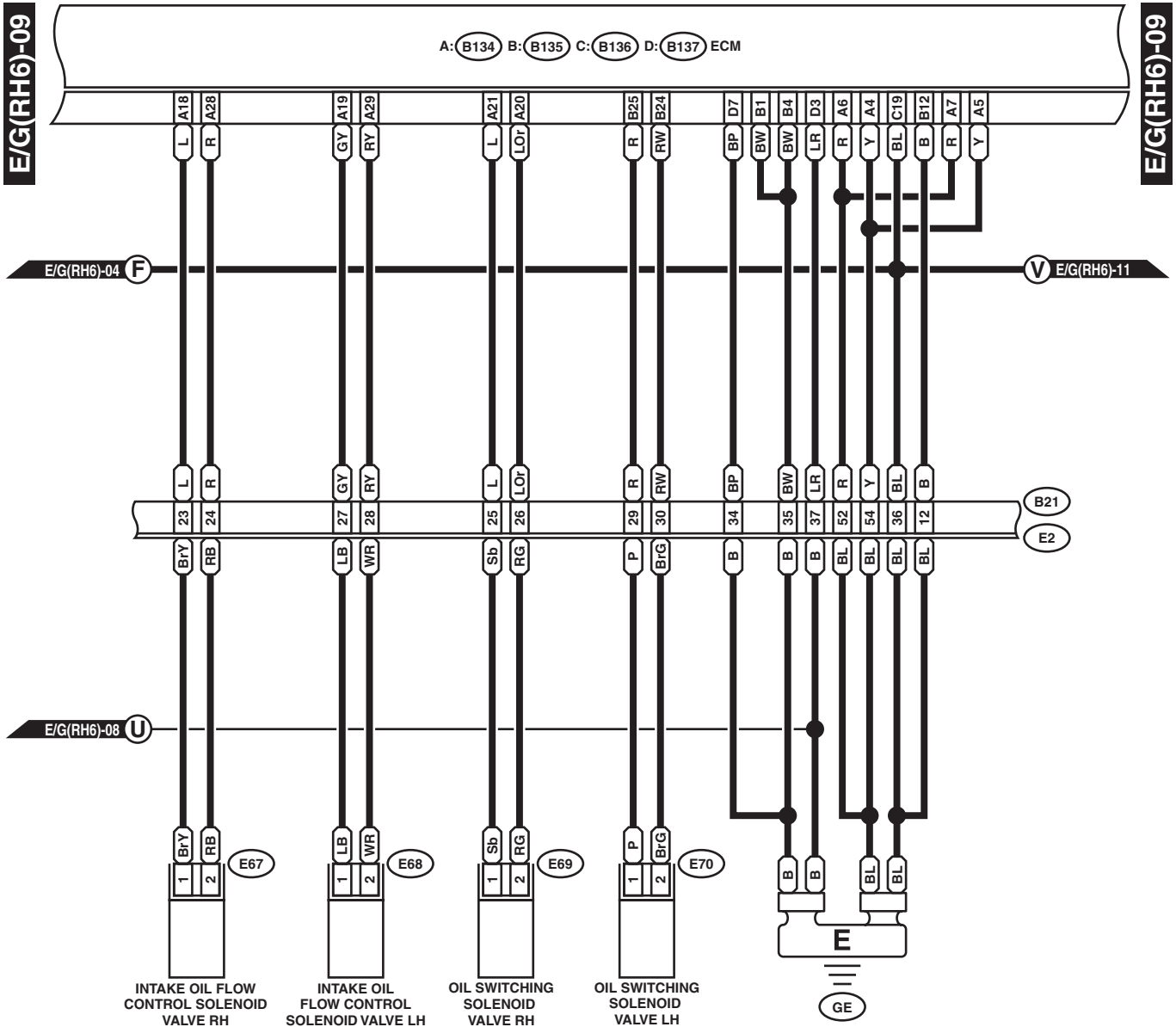
WIRING SYSTEM



WI-04097

Engine Electrical System

WIRING SYSTEM



INTAKE OIL FLOW CONTROL SOLENOID VALVE RH

INTAKE OIL FLOW CONTROL SOLENOID VALVE LH

OIL SWITCHING SOLENOID VALVE RH

OIL SWITCHING SOLENOID VALVE LH

GE

(BLUE) B67 B69 (BLUE)

(BLUE) B68 B70 (BLUE)

1 2

B21 (BLACK)

D: B137

1	2	3	4	5	6	7
8	9	10	11	12	13	14
15	16	17	18	19	20	21
22	23	24	25	26	27	28
29	30	31				

A: B134

1	2	3	4	5	6	7
8	9	10	11	12	13	14
15	16	17	18	19	20	21
22	23	24	25	26	27	28
29	30	31	32	33	34	

B: B135

1	2	3	4	5	6	7
8	9	10	11	12	13	14
15	16	17	18	19	20	21
22	23	24	25	26	27	28
29	30	31	32	33	34	35

C: B136

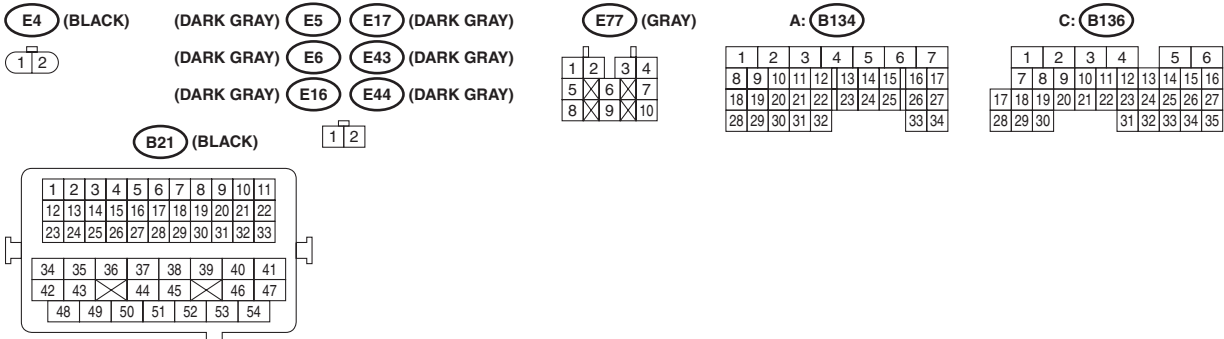
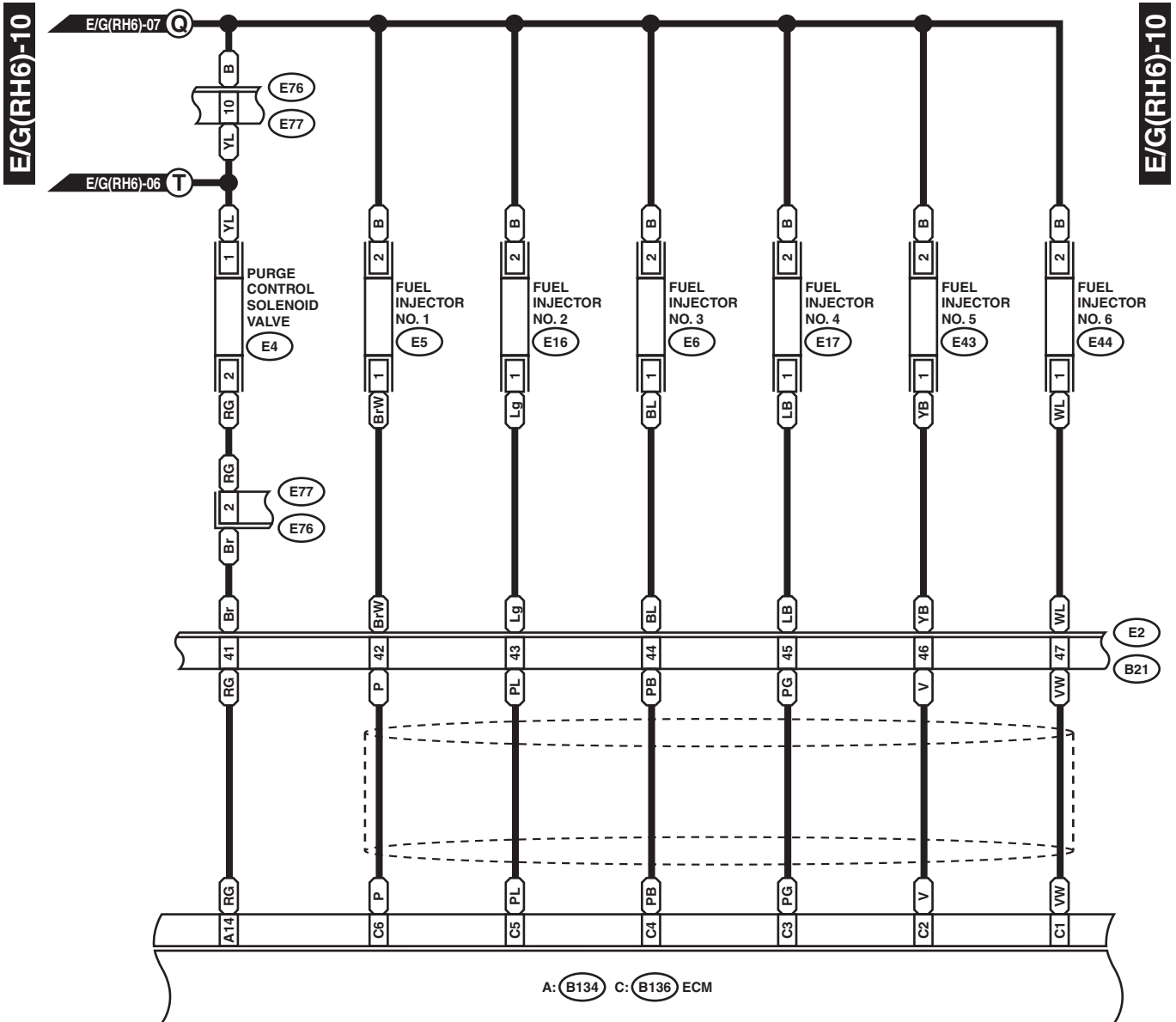
1	2	3	4	5	6
7	8	9	10	11	12
13	14	15	16	17	18
19	20	21	22	23	24
25	26	27	28	29	30
31	32	33	34	35	

1	2	3	4	5	6	7	8	9	10	11
12	13	14	15	16	17	18	19	20	21	22
23	24	25	26	27	28	29	30	31	32	33
34	35	36	37	38	39	40	41			
42	43	44	45	46	47					
48	49	50	51	52	53	54				

WI-04098

Engine Electrical System

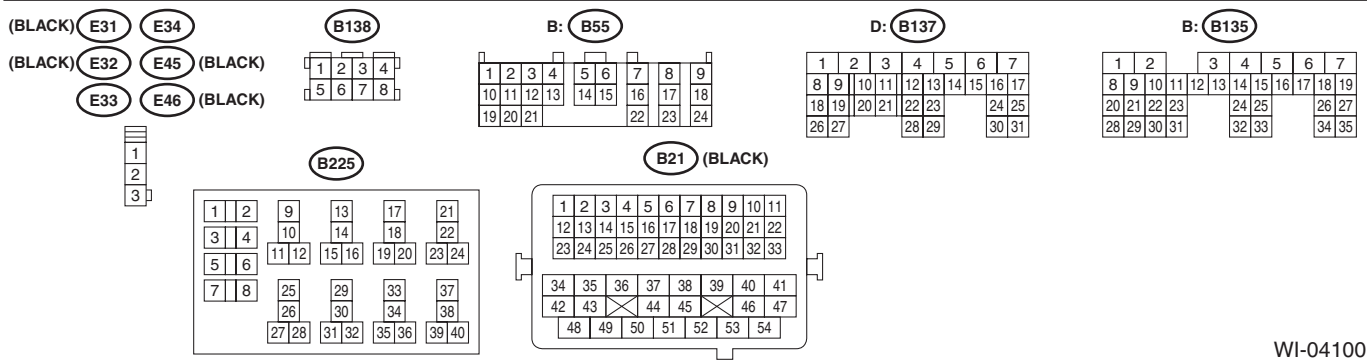
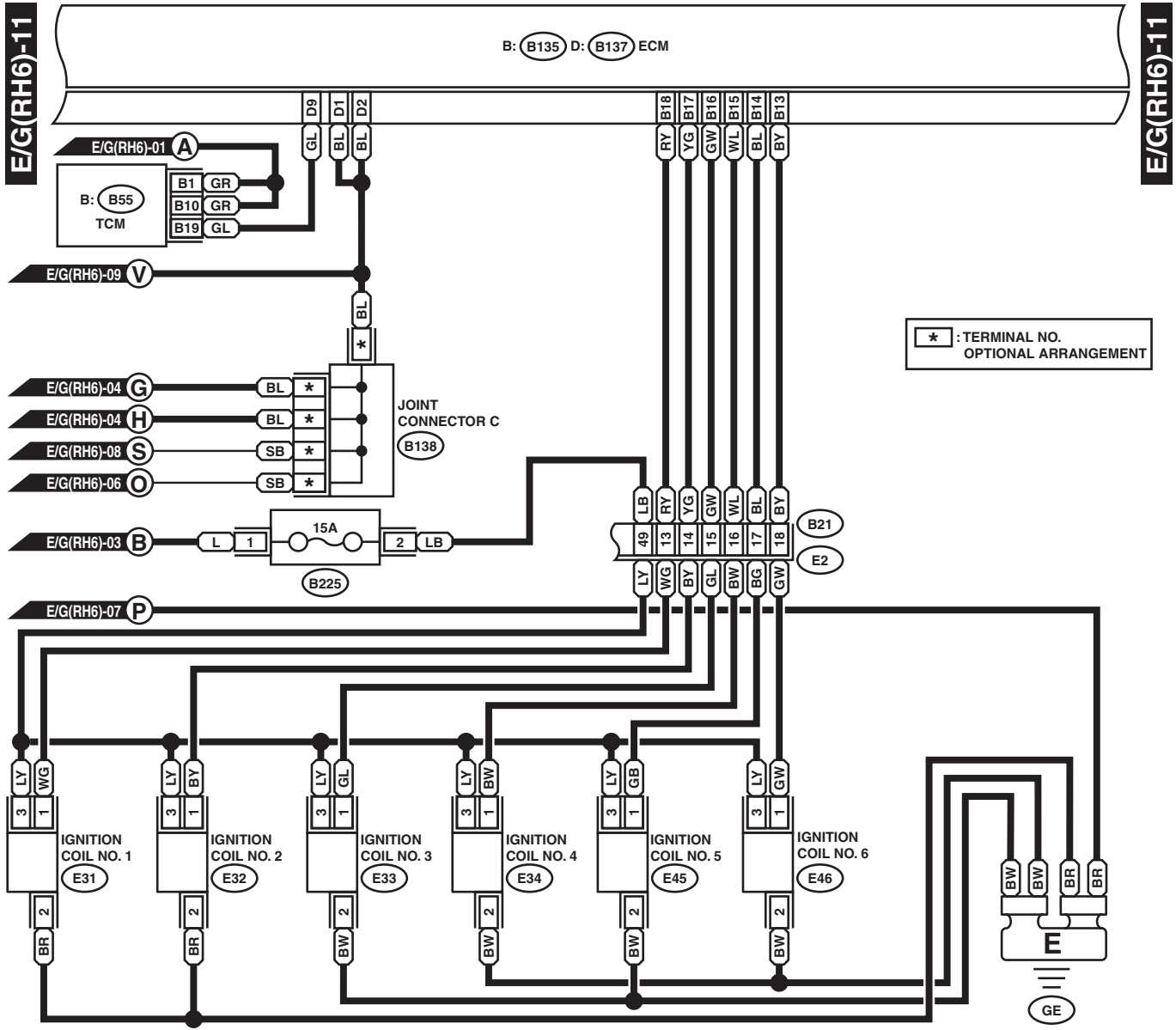
WIRING SYSTEM



WI-04099

Engine Electrical System

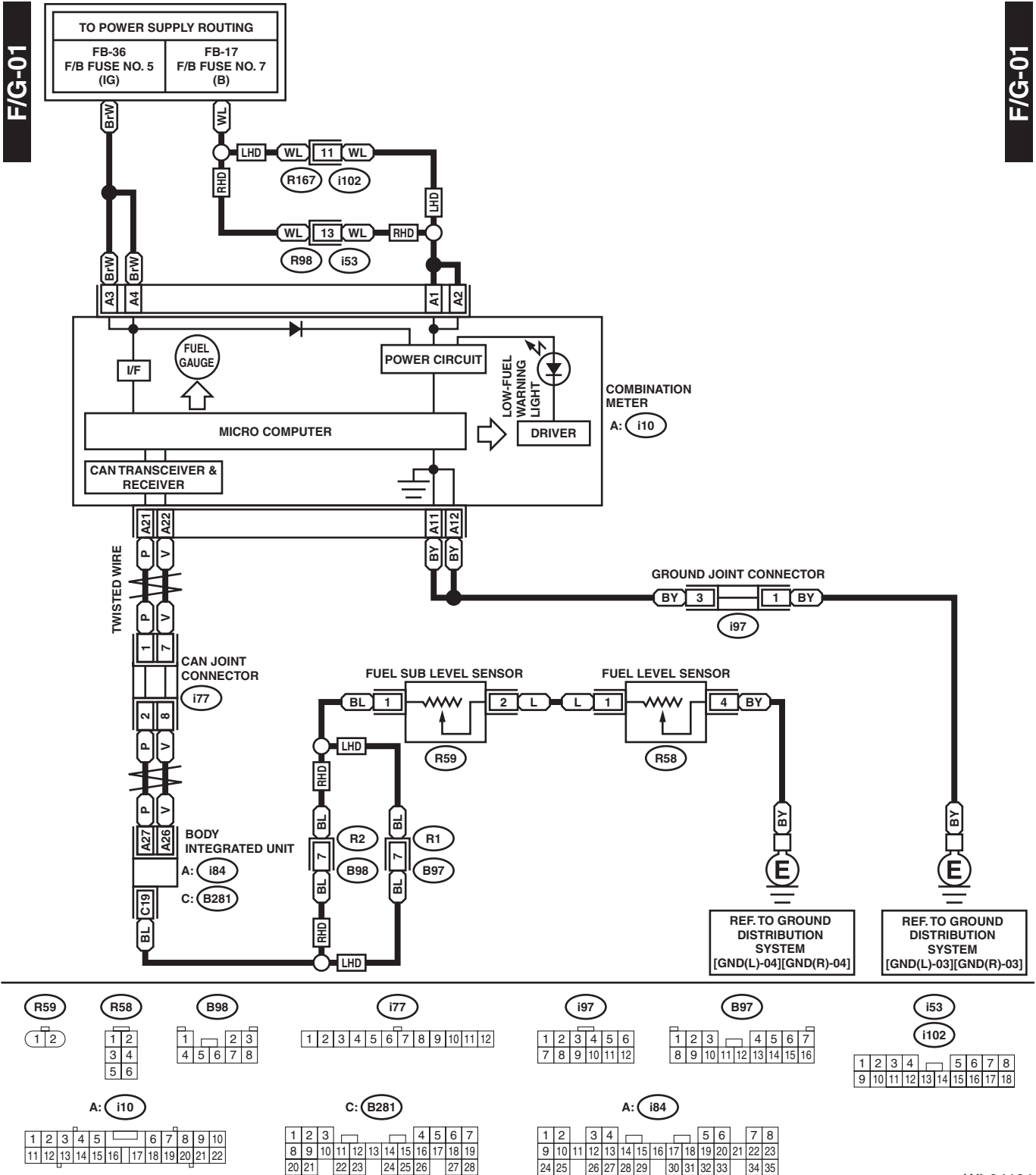
WIRING SYSTEM



WI-04100

17. Fuel Gauge System

A: WIRING DIAGRAM



WI-04101

Full Time Dual-range System

WIRING SYSTEM

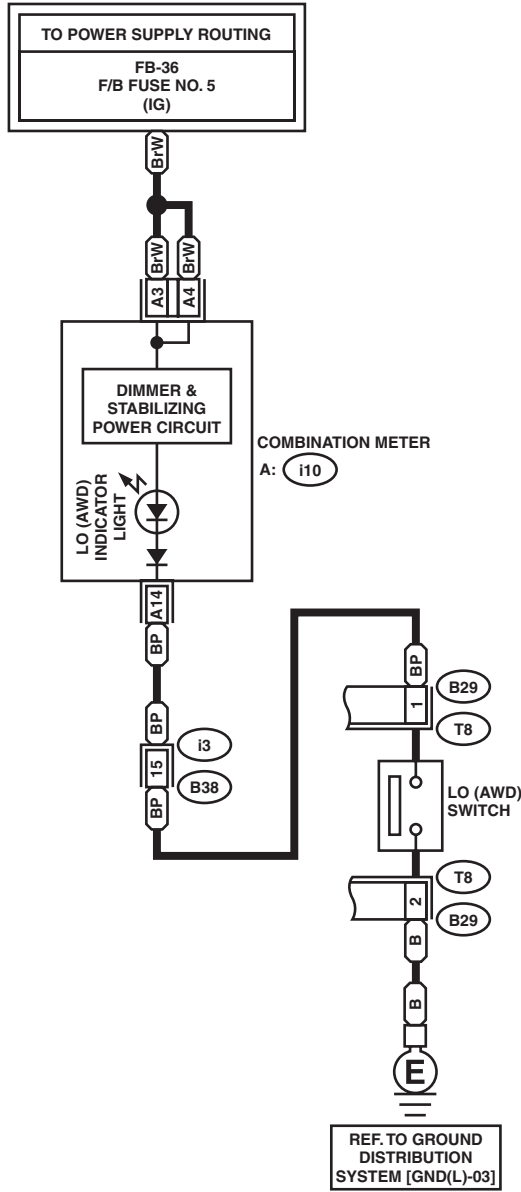
18.Full Time Dual-range System

A: WIRING DIAGRAM

1. LHD MODEL

FTDR(L)-01

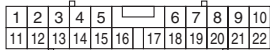
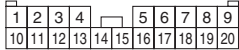
FTDR(L)-01



B29 (BLACK)

B38

A: i10

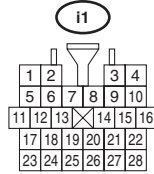
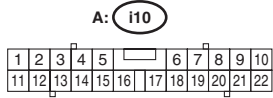
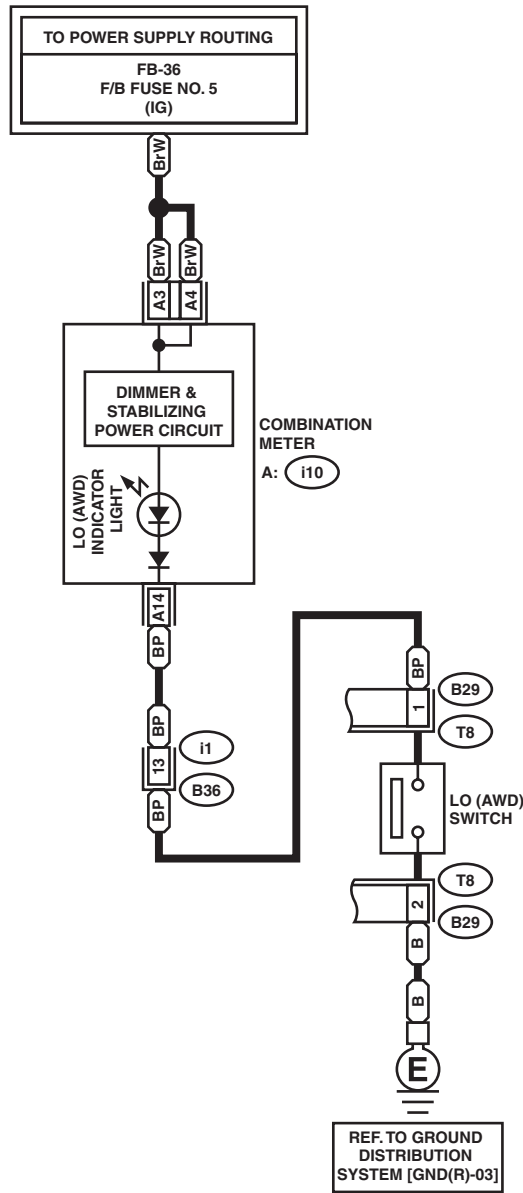


WI-04102

2. RHD MODEL

FTDR(R)-01

FTDR(R)-01



Front Accessory Power Supply Socket System

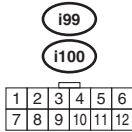
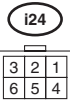
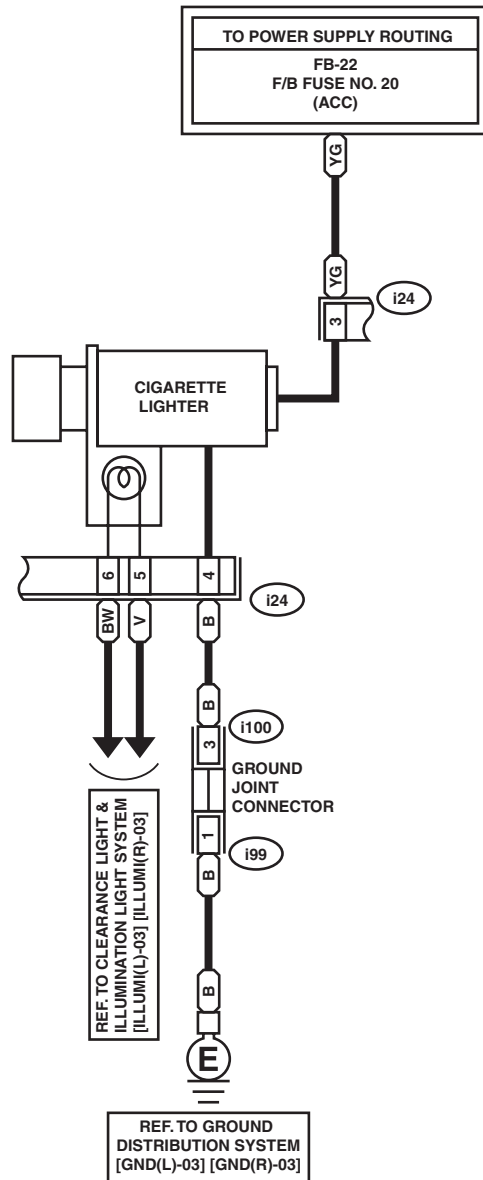
WIRING SYSTEM

19. Front Accessory Power Supply Socket System

A: WIRING DIAGRAM

FAPS-01

FAPS-01



WI-04104

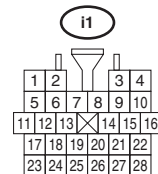
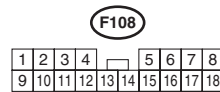
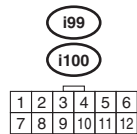
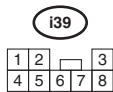
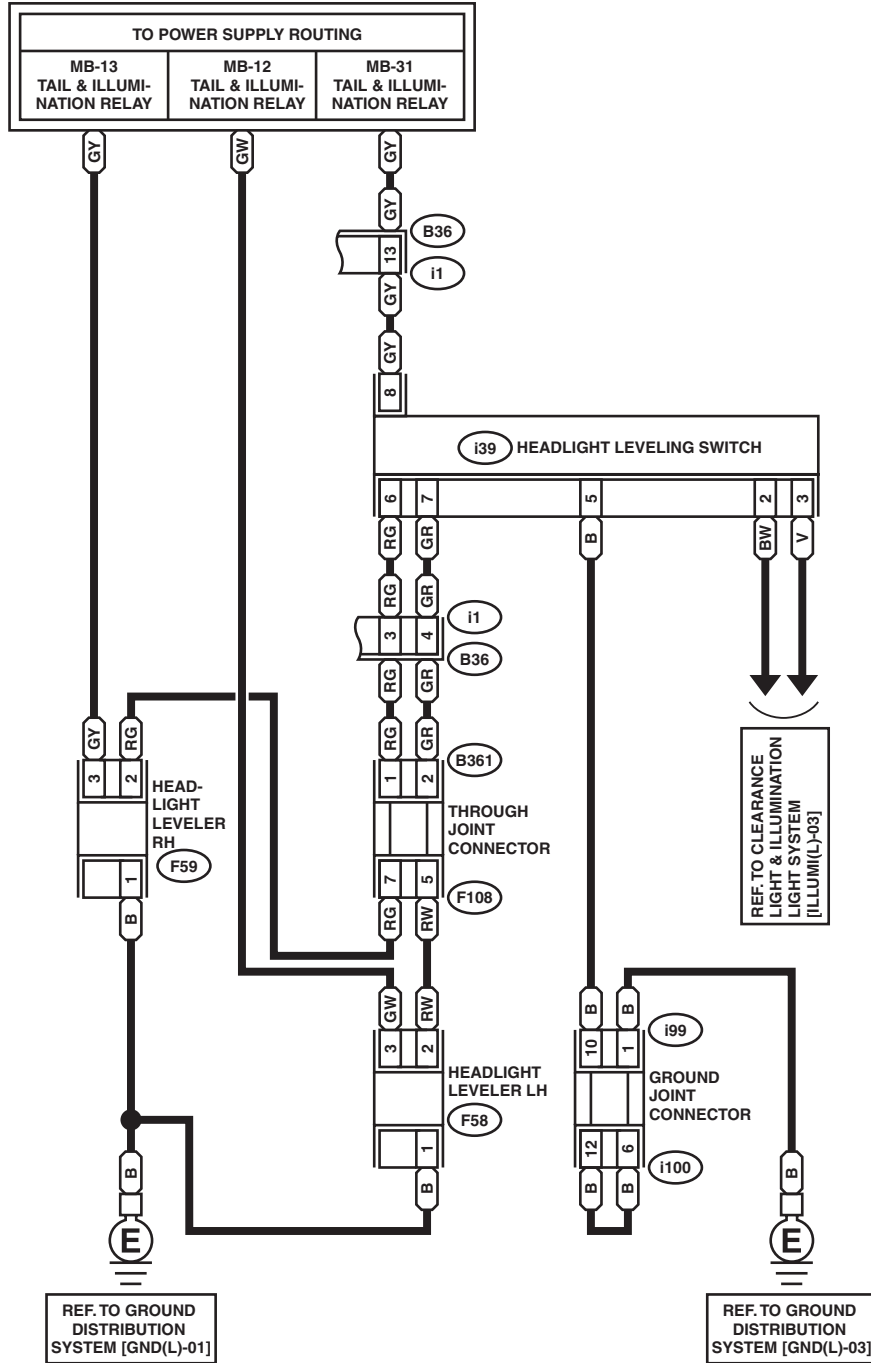
20.Headlight Beam Leveler System

A: WIRING DIAGRAM

1. LHD MODEL

HLBL(L)-01

HLBL(L)-01



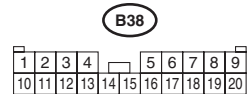
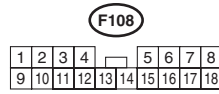
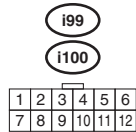
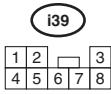
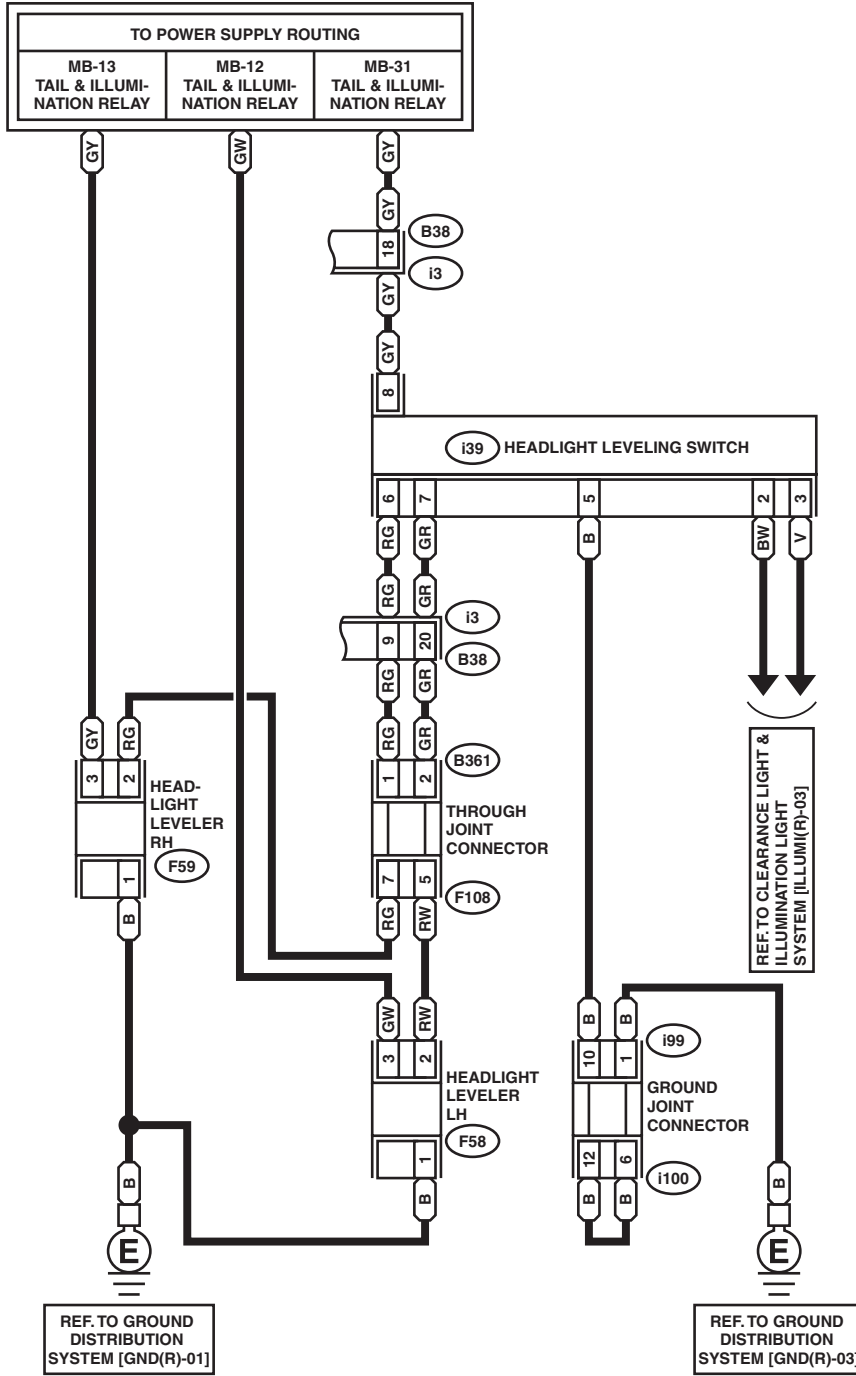
Headlight Beam Leveler System

WIRING SYSTEM

2. RHD MODEL

HLBL(R)-01

HLBL(R)-01



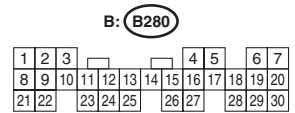
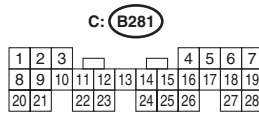
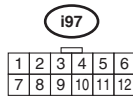
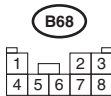
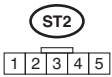
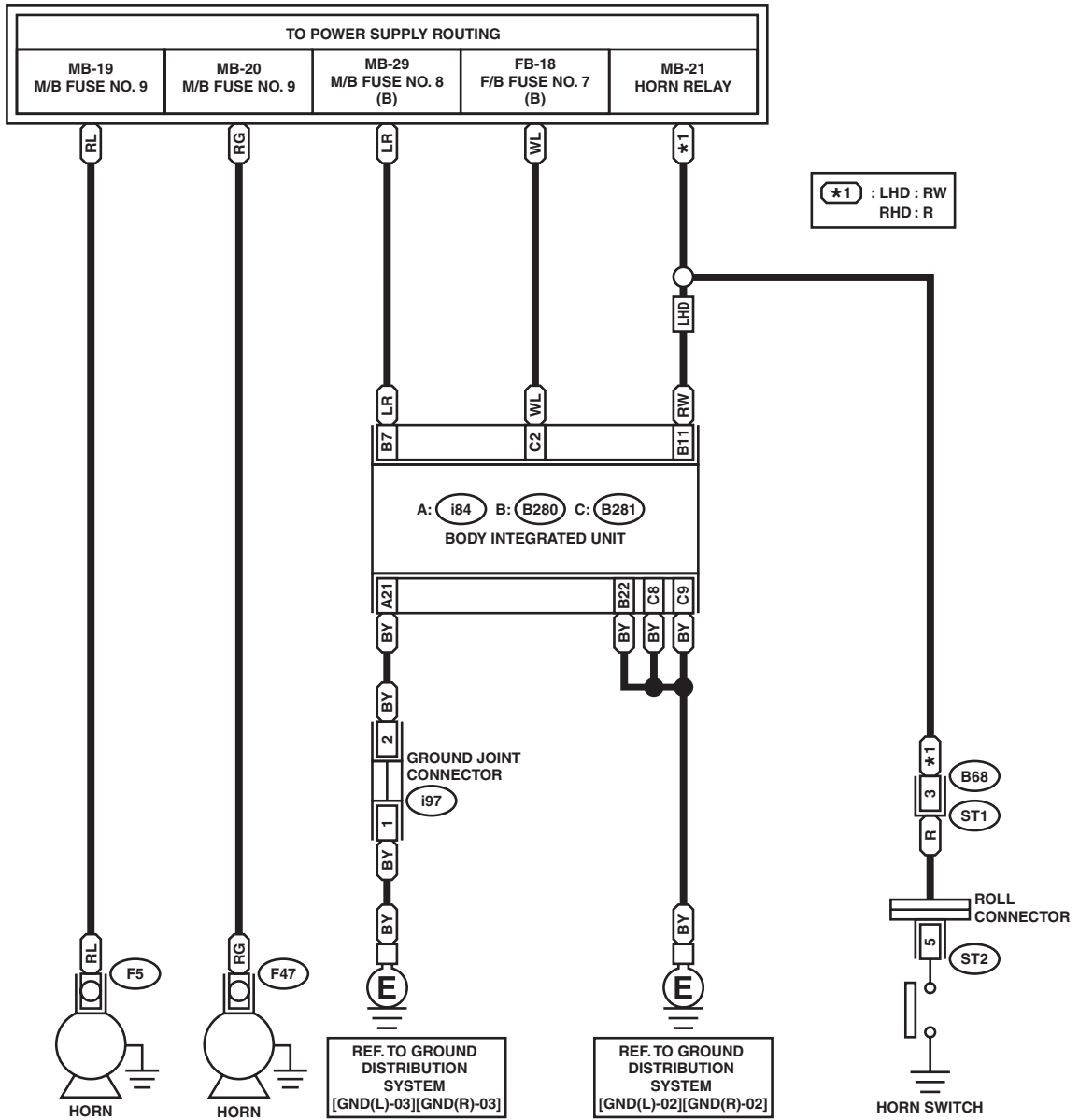
WI-04106

21.Horn System

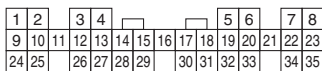
A: WIRING DIAGRAM

HORN-01

HORN-01



A: i84



Immobilizer System

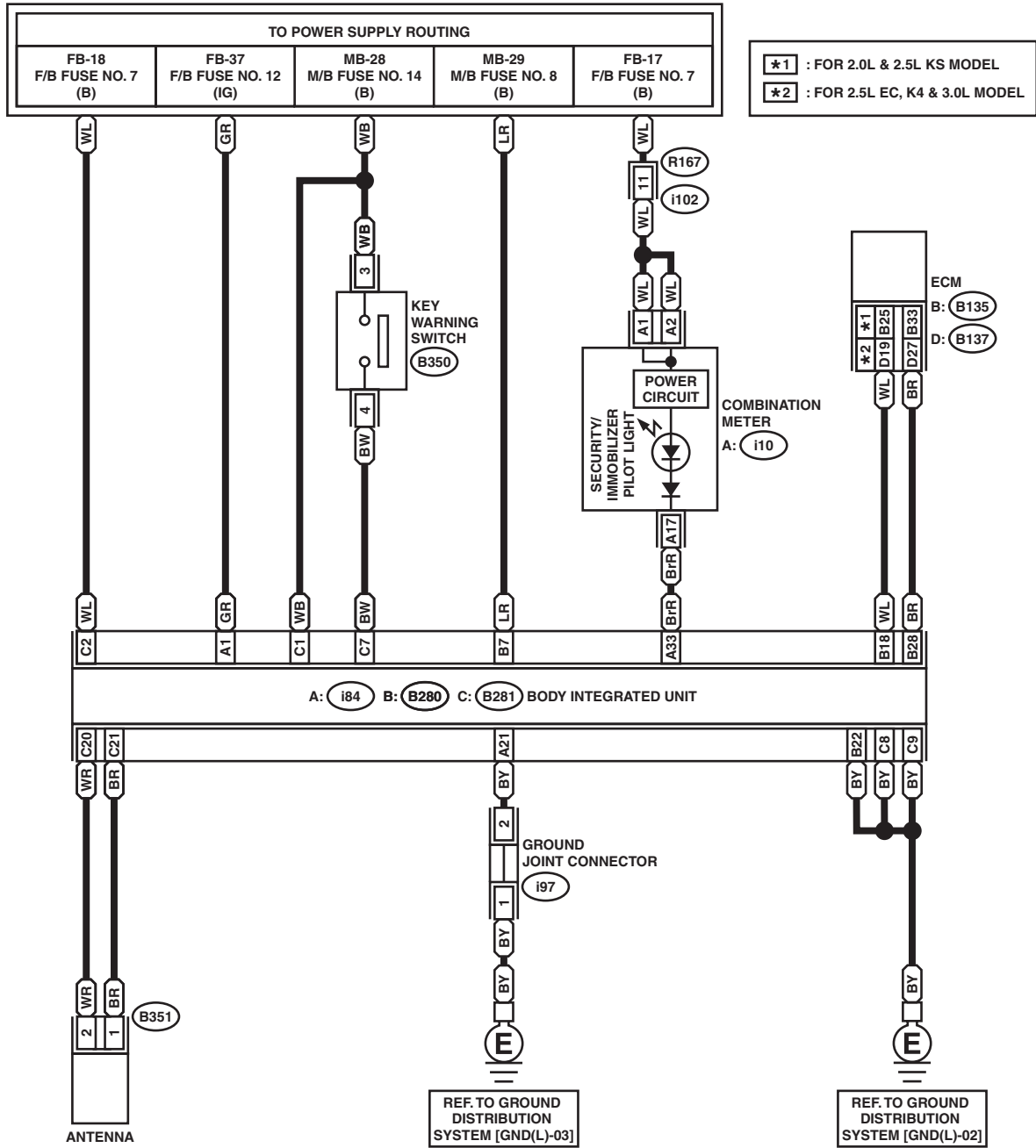
WIRING SYSTEM

22. Immobilizer System

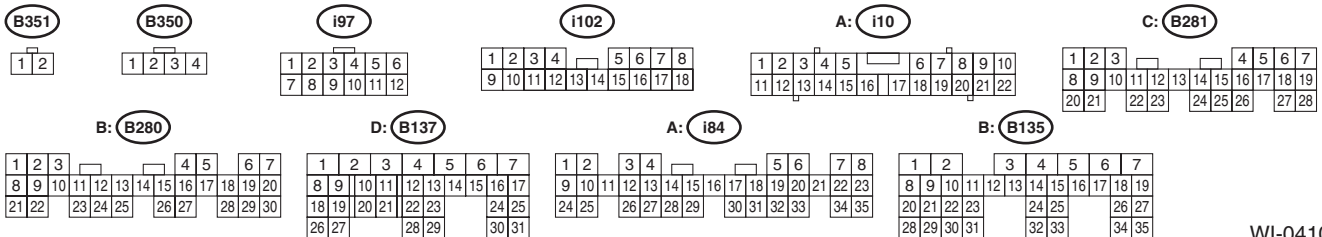
A: WIRING DIAGRAM

1. LHD MODEL

IMB(L)-01



IMB(L)-01



WI-04108

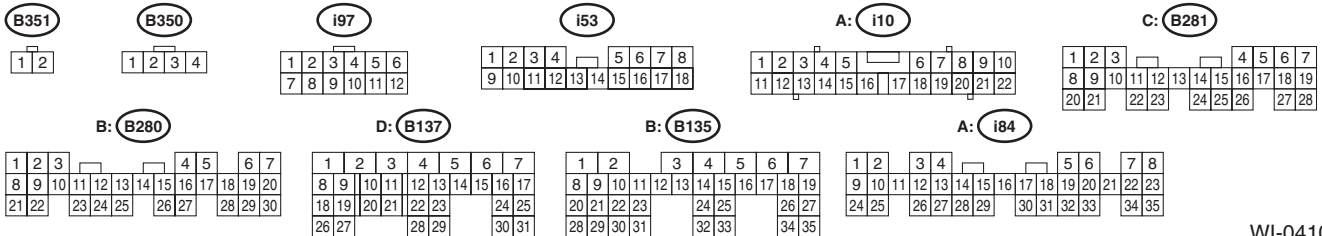
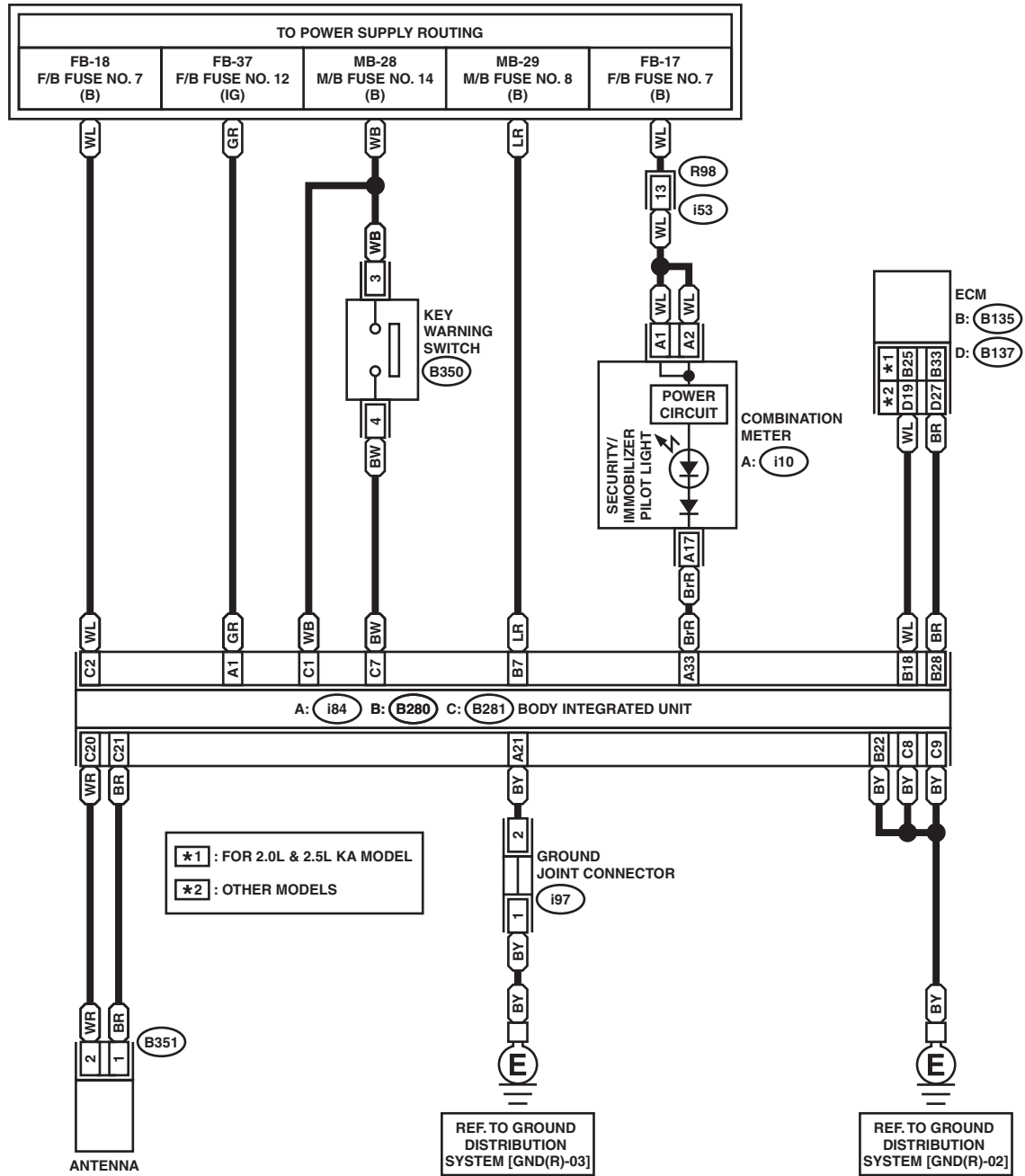
Immobilizer System

WIRING SYSTEM

2. RHD MODEL

IMB(R)-01

IMB(R)-01



WI-04109

WIRING SYSTEM SECTION

WIRING SYSTEM

WI

This service manual has been prepared to provide SUBARU service personnel with the necessary information and data for the correct maintenance and repair of SUBARU vehicles.

This manual includes the procedures for maintenance, disassembling, reassembling, inspection and adjustment of components and diagnostics for guidance of experienced mechanics.

Please peruse and utilize this manual fully to ensure complete repair work for satisfying our customers by keeping their vehicle in optimum condition. When replacement of parts during repair work is needed, be sure to use SUBARU genuine parts.

All information, illustration and specifications contained in this manual are based on the latest product information available at the time of publication approval.

WIRING SYSTEM



	Page
1. Basic Diagnostic Procedure	3
2. Working Precautions	15
3. Power Supply Circuit	16
4. Ground Distribution Circuit	30
5. Airbag System	51
6. Air Conditioning System	59
7. Anti-lock Brake System	73
8. AT Control System	78
9. Audio System	116
10. CAN Communication System	124
11. Charging System	128
12. Clock System	129
13. Combination Meter	130
14. Cruise Control System	134
15. Coolant Temperature System	149
16. Engine Electrical System	150
17. Fuel Gauge System	239
18. Full Time Dual-range System	240
19. Front Accessory Power Supply Socket System	242
20. Headlight Beam Leveler System	243
21. Horn System	245
22. Immobilizer System	246
23. Keyless Entry System	248
24. Back-up Light System	257
25. Clearance Light and Illumination Light System	259
26. Front Fog Light System	267
27. Headlight System	269
28. Interior Light System	271
29. Rear Fog Light System	279
30. Stop Light System	281
31. Turn Signal Light and Hazard Light System	282
32. Navigation System	286
33. Oil Pressure Warning Light System	290
34. Parking Brake / Brake Fluid Level Warning Light System	291
35. Power Seat System	293
36. Power Window System	294
37. Radiator Fan System	302
38. Rear Window Defogger System	304
39. Remote Control Mirror System	306
40. Seat Belt Warning System	308
41. Seat Heater System	310
42. Starter System	312
43. Sunroof System	316

44.	Vehicle Dynamics Control System	318
45.	Front Wiper and Washer System	324
46.	Rear Wiper and Washer System.....	326
47.	Wiper Deicer System	328
48.	Alarm Control System	329
49.	Rear Accessory Power Supply System.....	330
50.	Harness Components Location.....	331
51.	Front Wiring Harness	335
52.	Bulkhead Wiring Harness (In Engine Compartment)	337
53.	Bulkhead Wiring Harness (In Compartment)	343
54.	Engine Wiring Harness and Transmission Cord	349
55.	Instrument Panel Wiring Harness	357
56.	Rear Wiring Harness	361
57.	Door Cord.....	367
58.	Rear Wiring Harness and Trunk Lid Cord	371
59.	Rear Wiring Harness and Rear Gate Cord	373

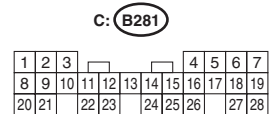
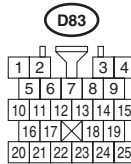
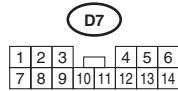
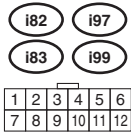
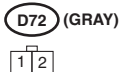
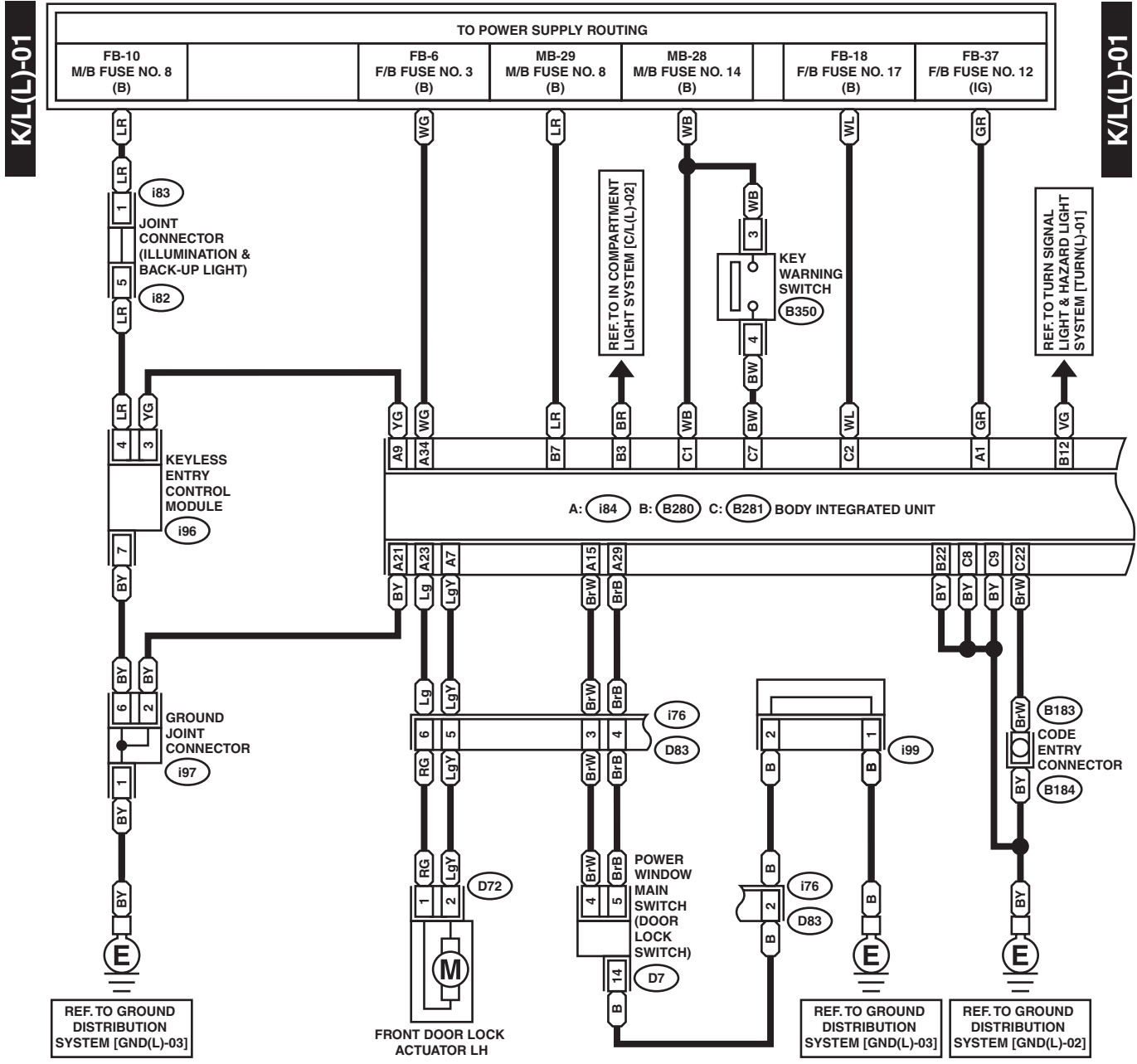
Keyless Entry System

WIRING SYSTEM

23. Keyless Entry System

A: WIRING DIAGRAM

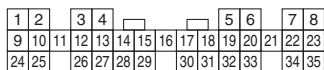
1. LHD MODEL



B: B280



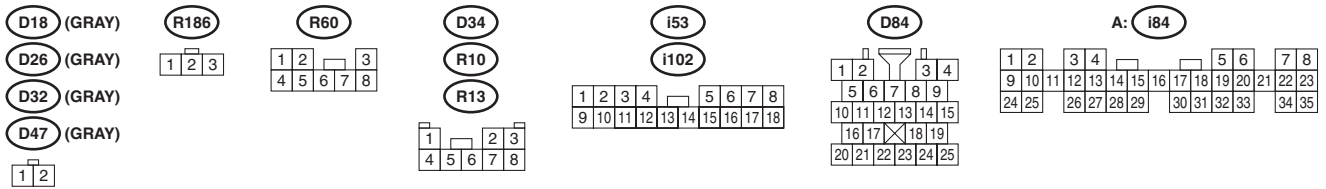
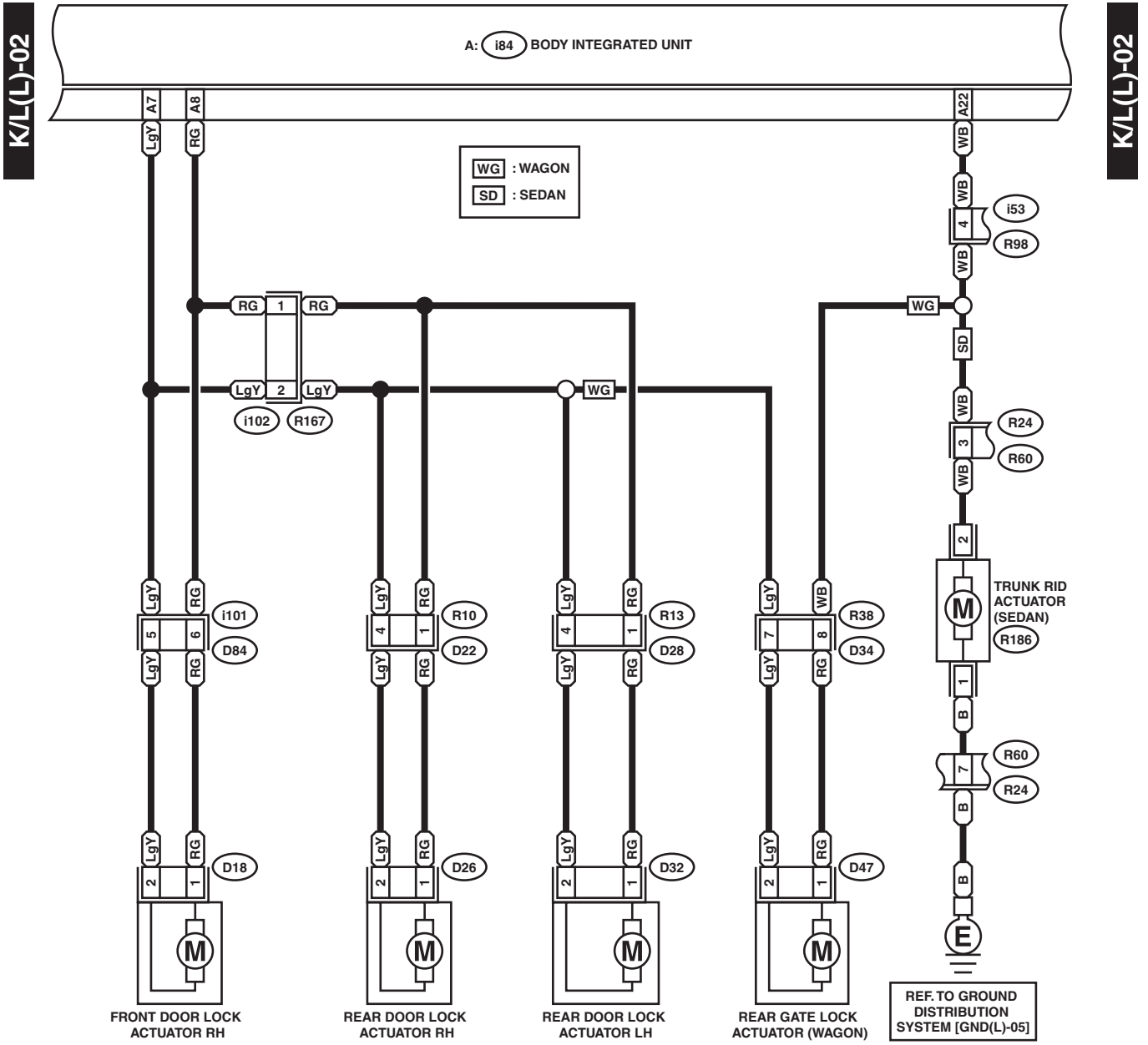
A: i84



WI-04110

Keyless Entry System

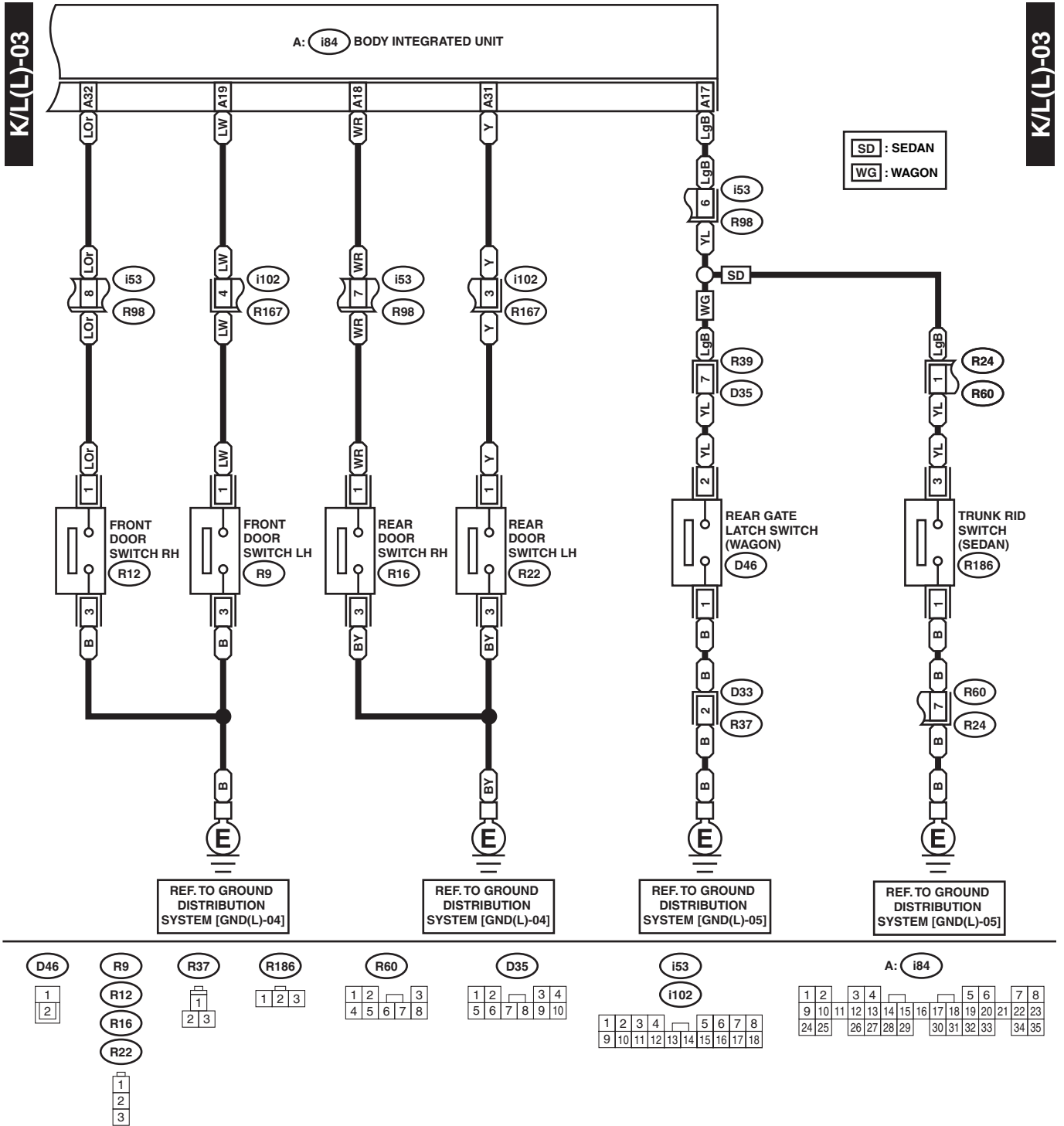
WIRING SYSTEM



WI-04111

Keyless Entry System

WIRING SYSTEM

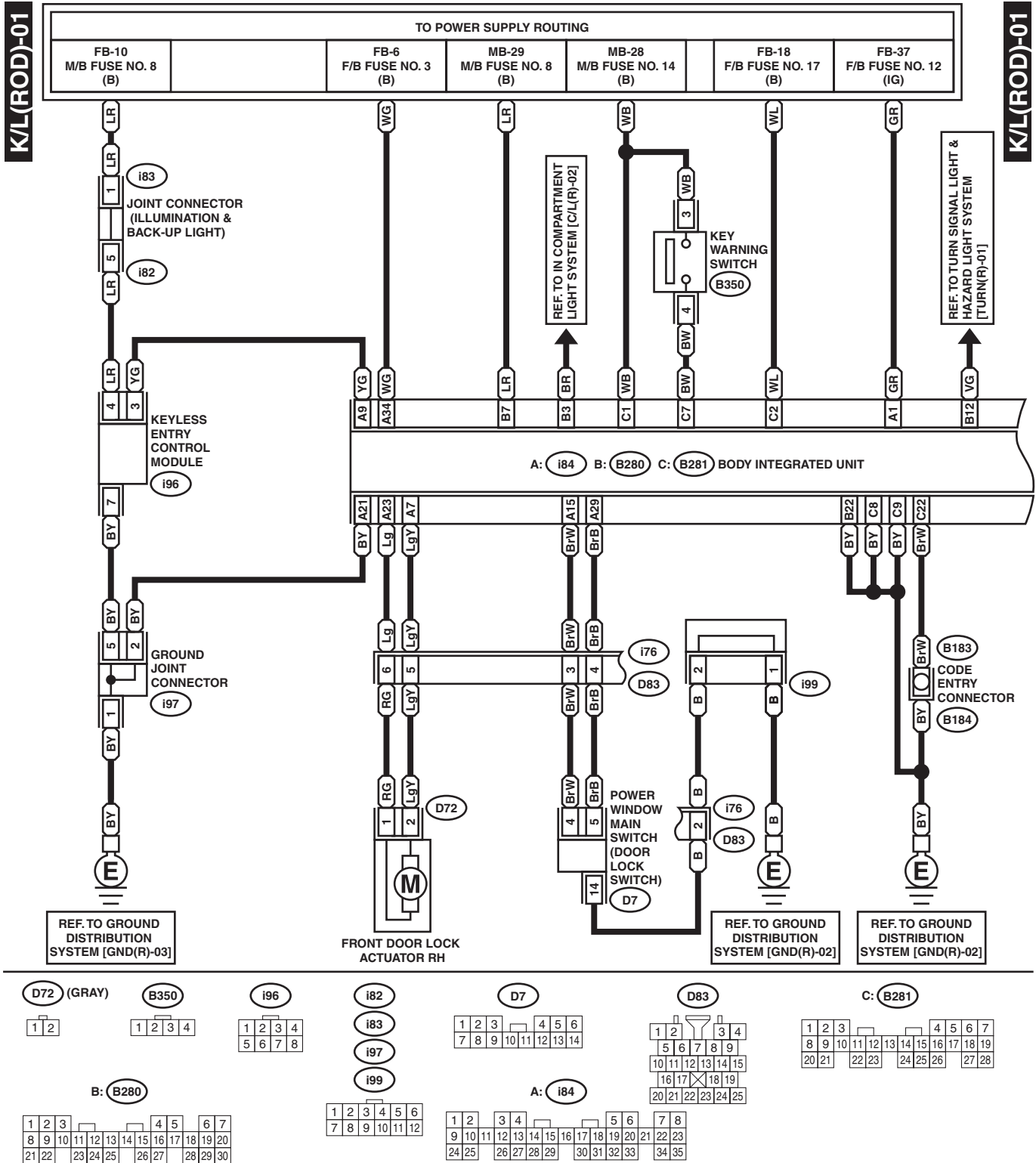


WI-04112

Keyless Entry System

WIRING SYSTEM

2. RHD MODEL WITHOUT DOUBLE LOCK



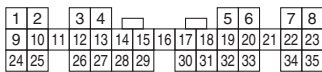
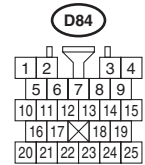
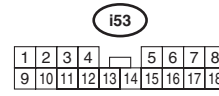
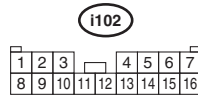
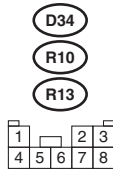
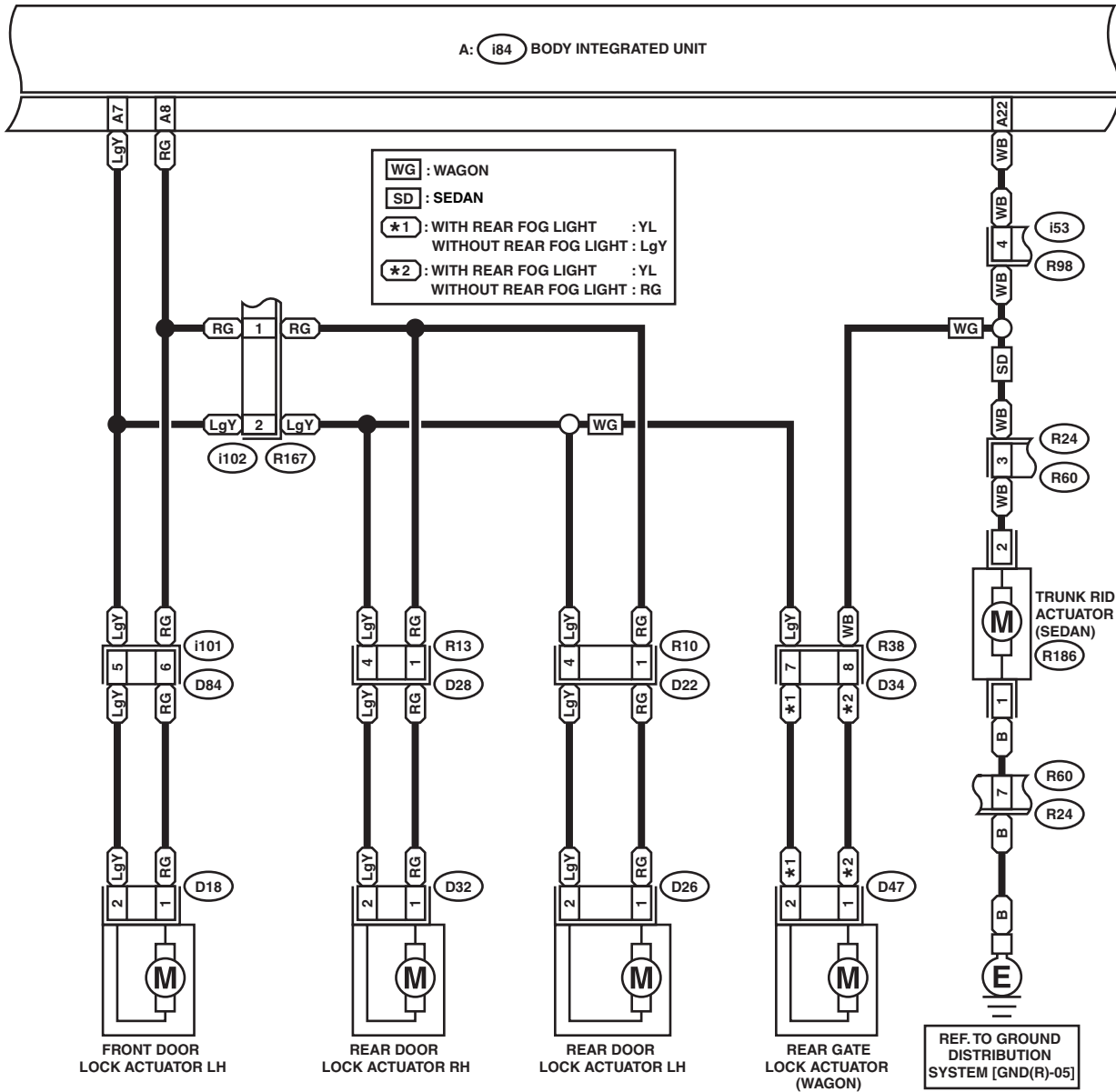
WI-04113

Keyless Entry System

WIRING SYSTEM

K/L(ROD)-02

K/L(ROD)-02



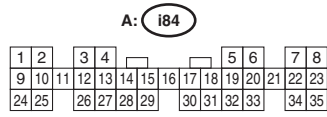
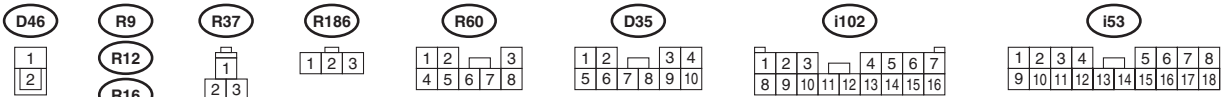
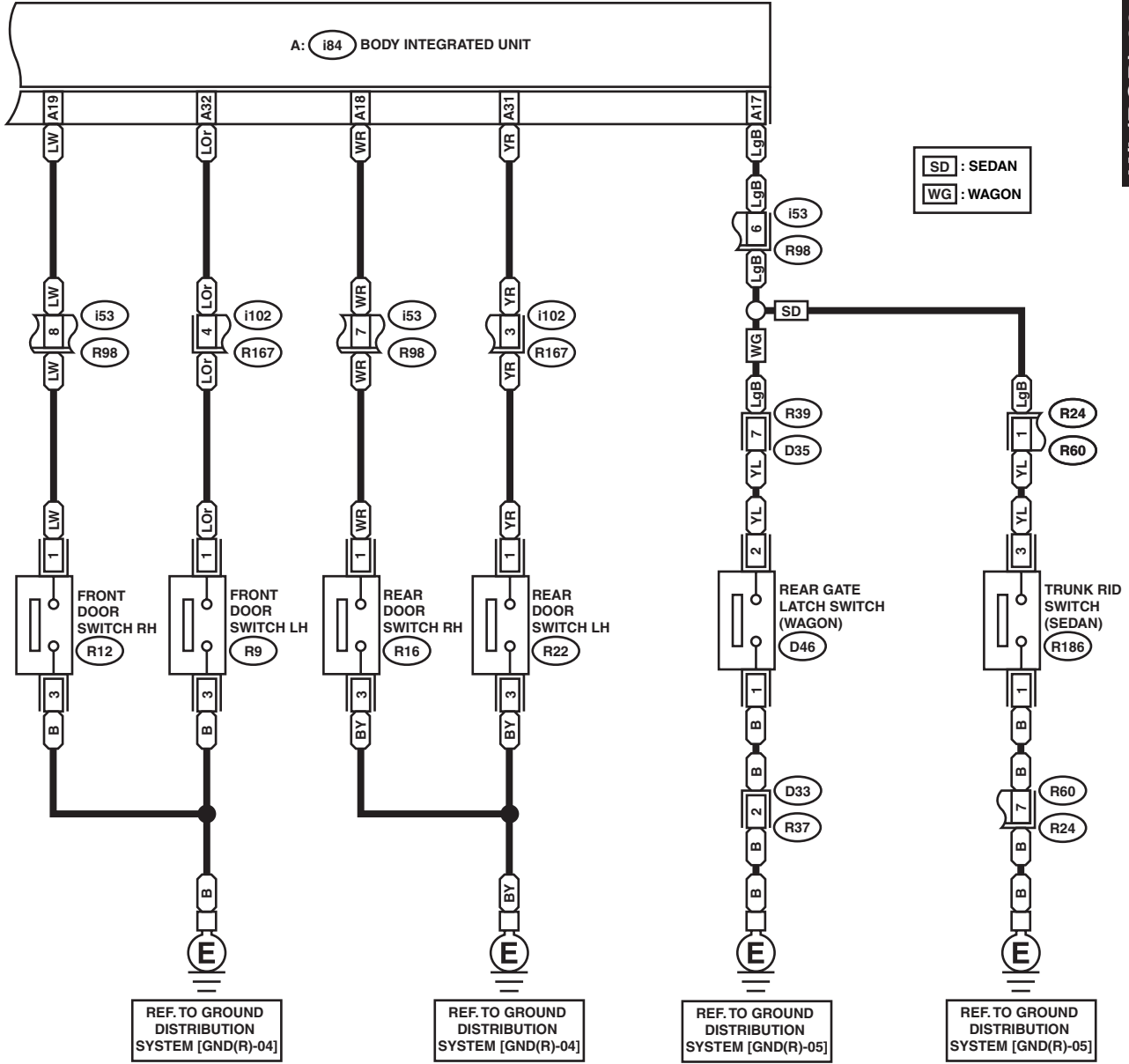
WI-04114

Keyless Entry System

WIRING SYSTEM

K/L(ROD)-03

K/L(ROD)-03

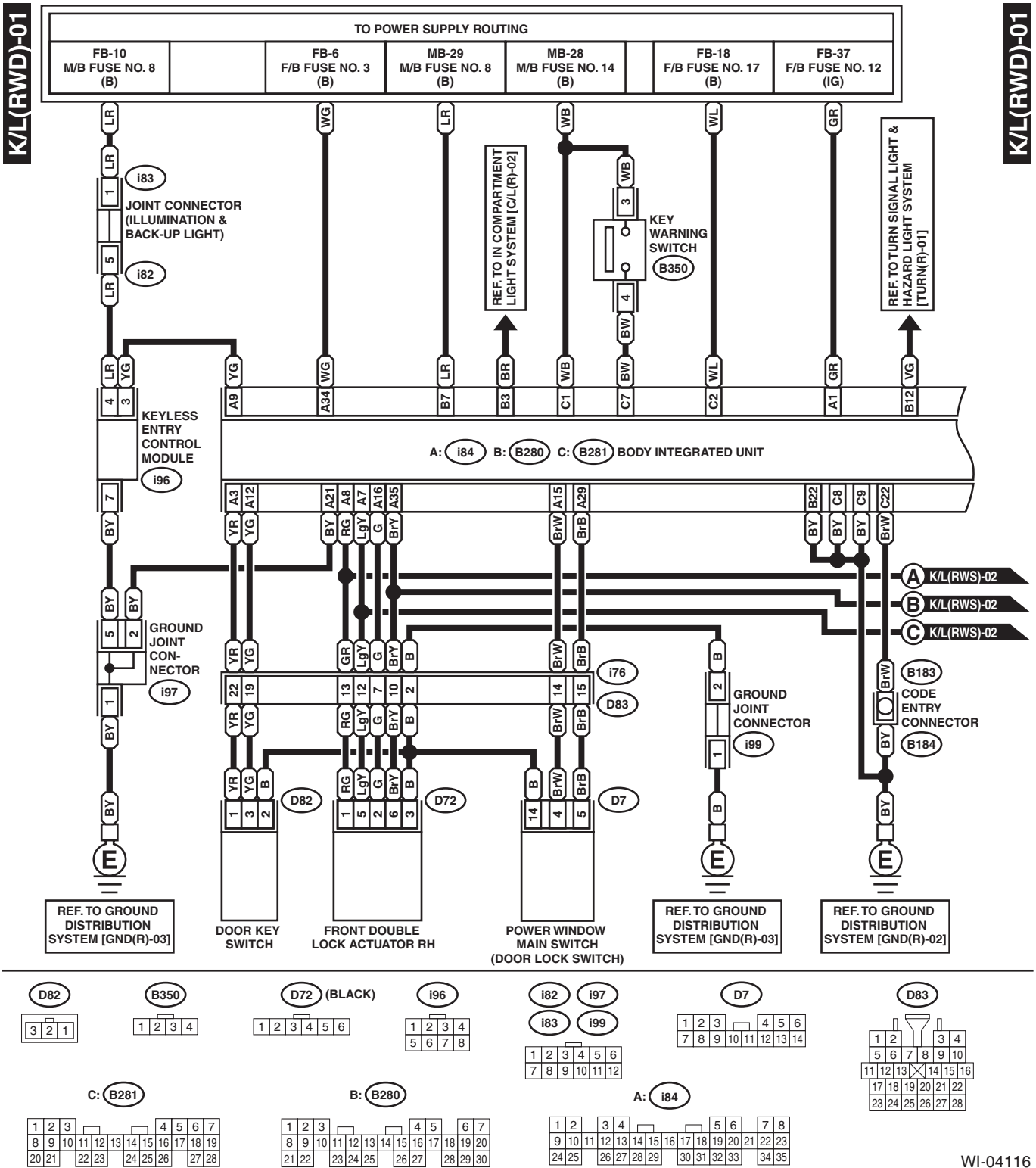


WI-04115

Keyless Entry System

WIRING SYSTEM

3. RHD MODEL WITH DOUBLE LOCK



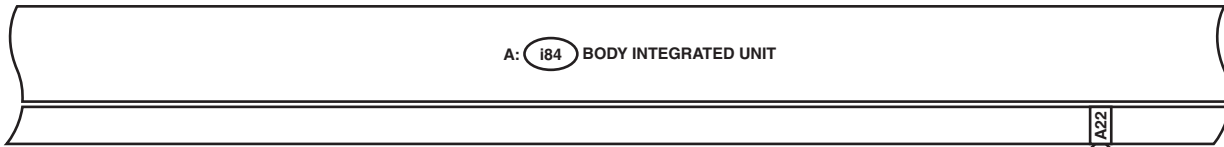
WI-04116

Keyless Entry System

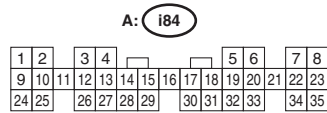
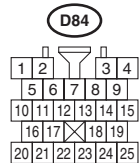
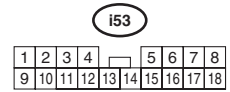
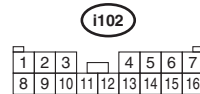
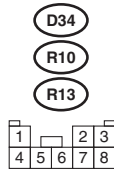
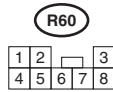
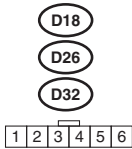
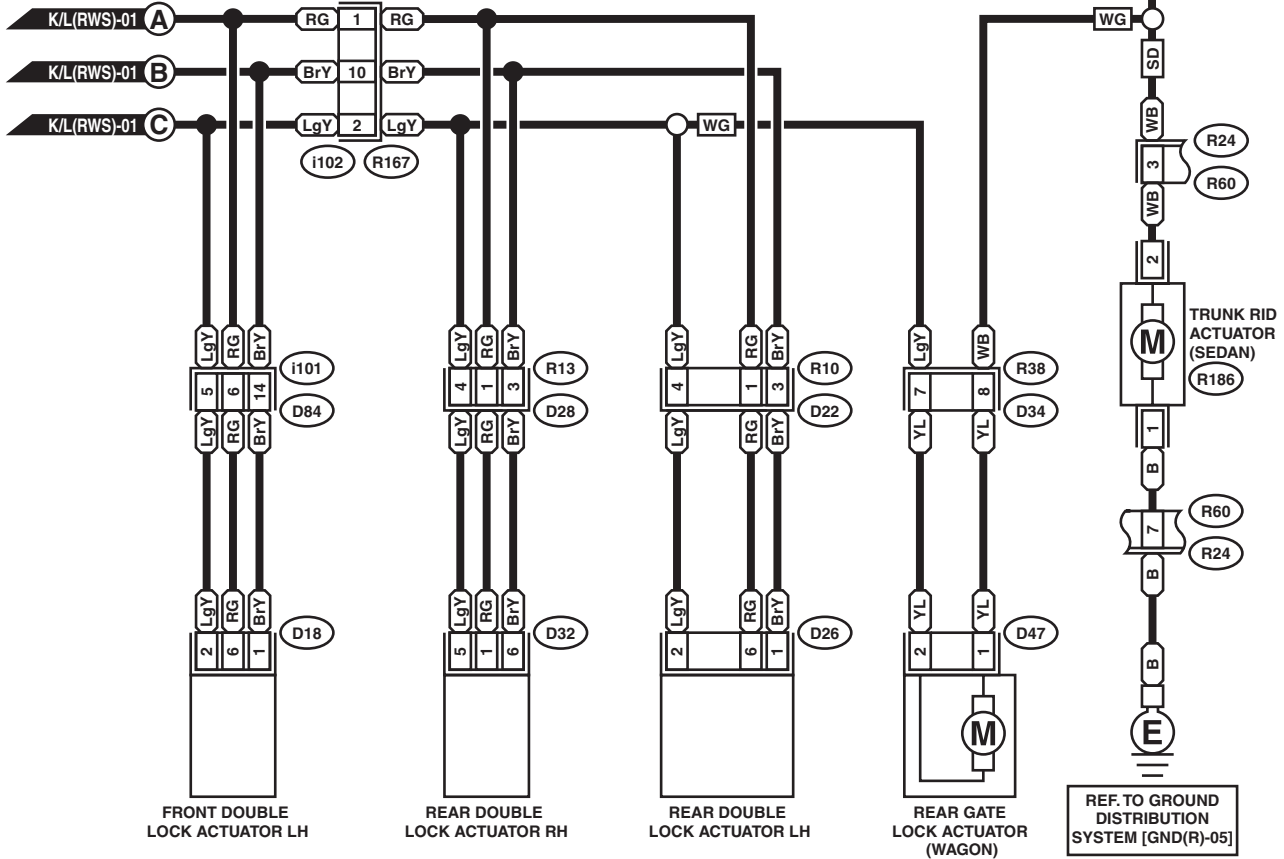
WIRING SYSTEM

K/L(RWD)-02

K/L(RWD)-02



WG : WAGON
SD : SEDAN



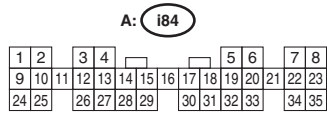
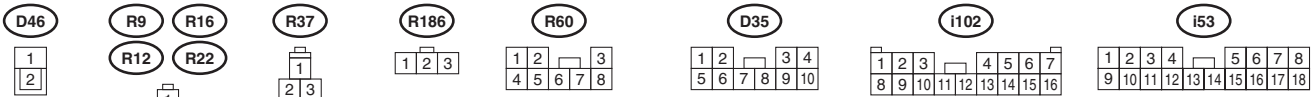
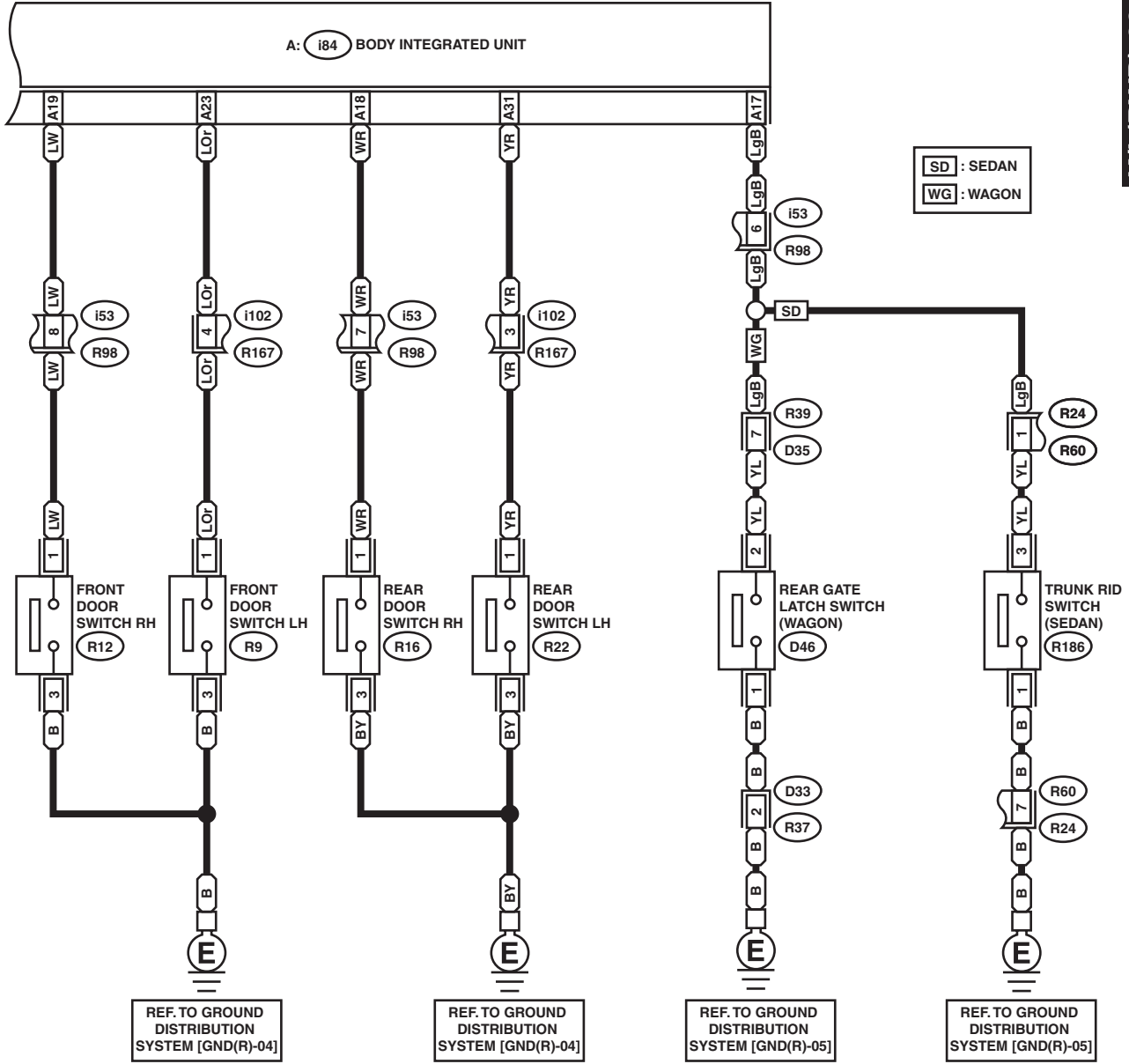
WI-04117

Keyless Entry System

WIRING SYSTEM

K/L(RWD)-03

K/L(RWD)-03

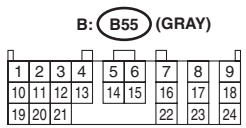
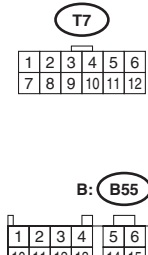
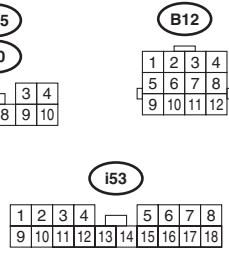
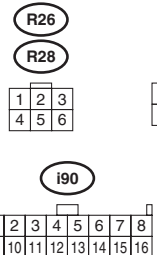
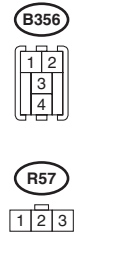
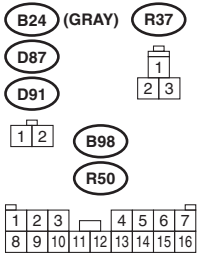
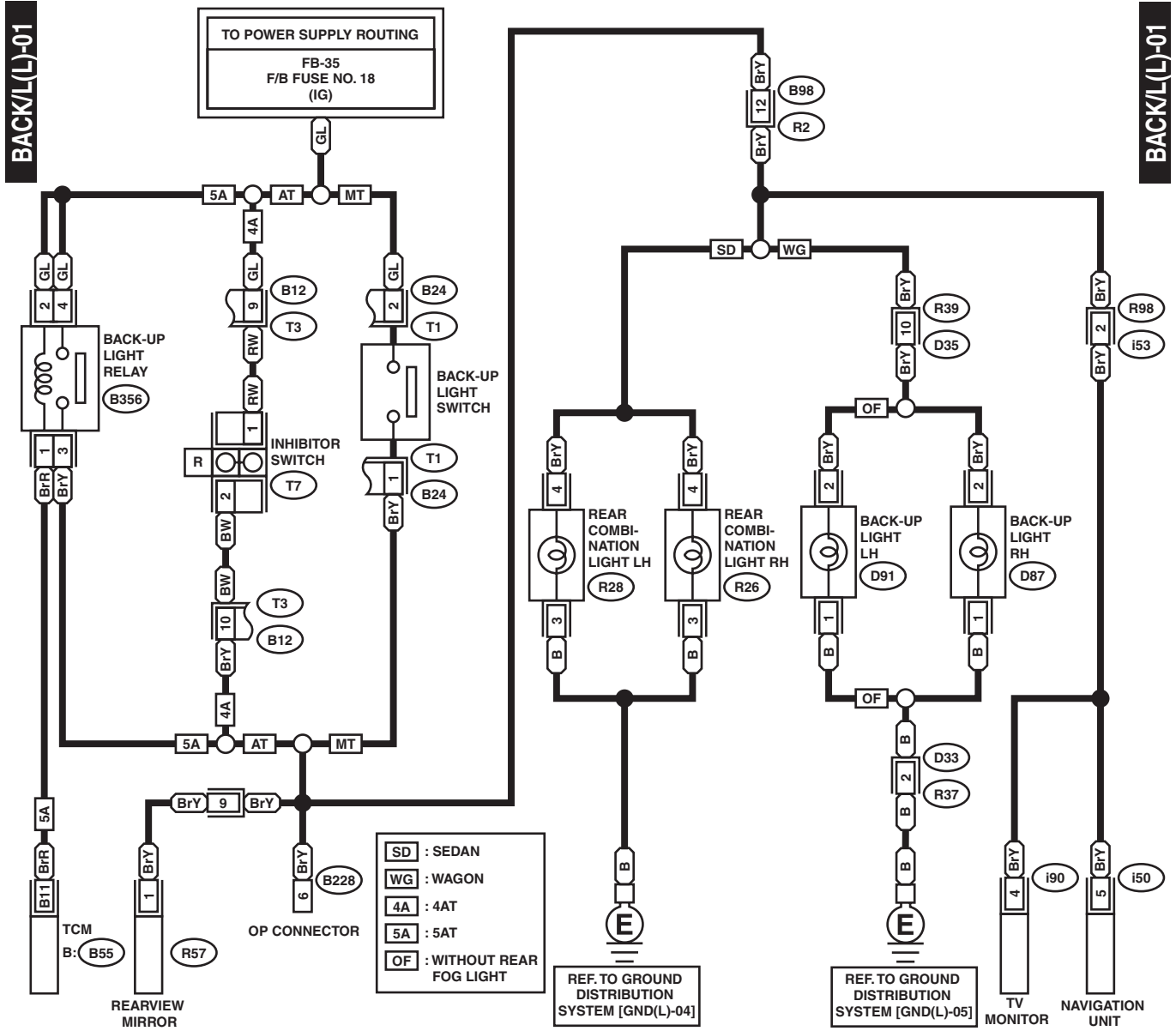


WI-04118

24. Back-up Light System

A: WIRING DIAGRAM

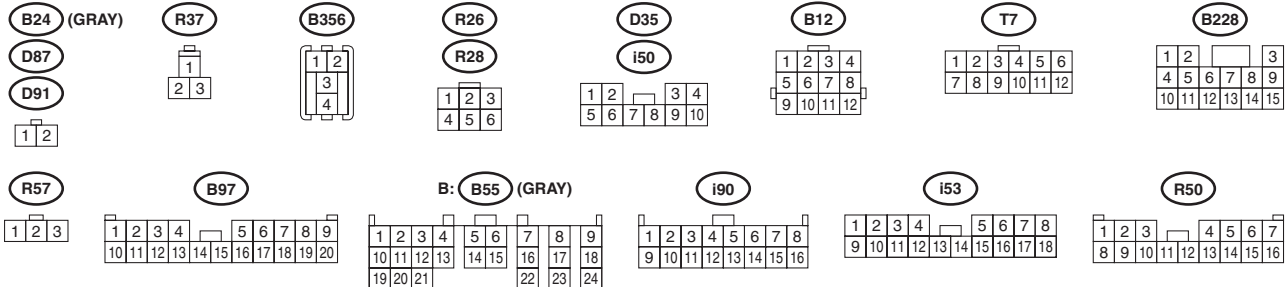
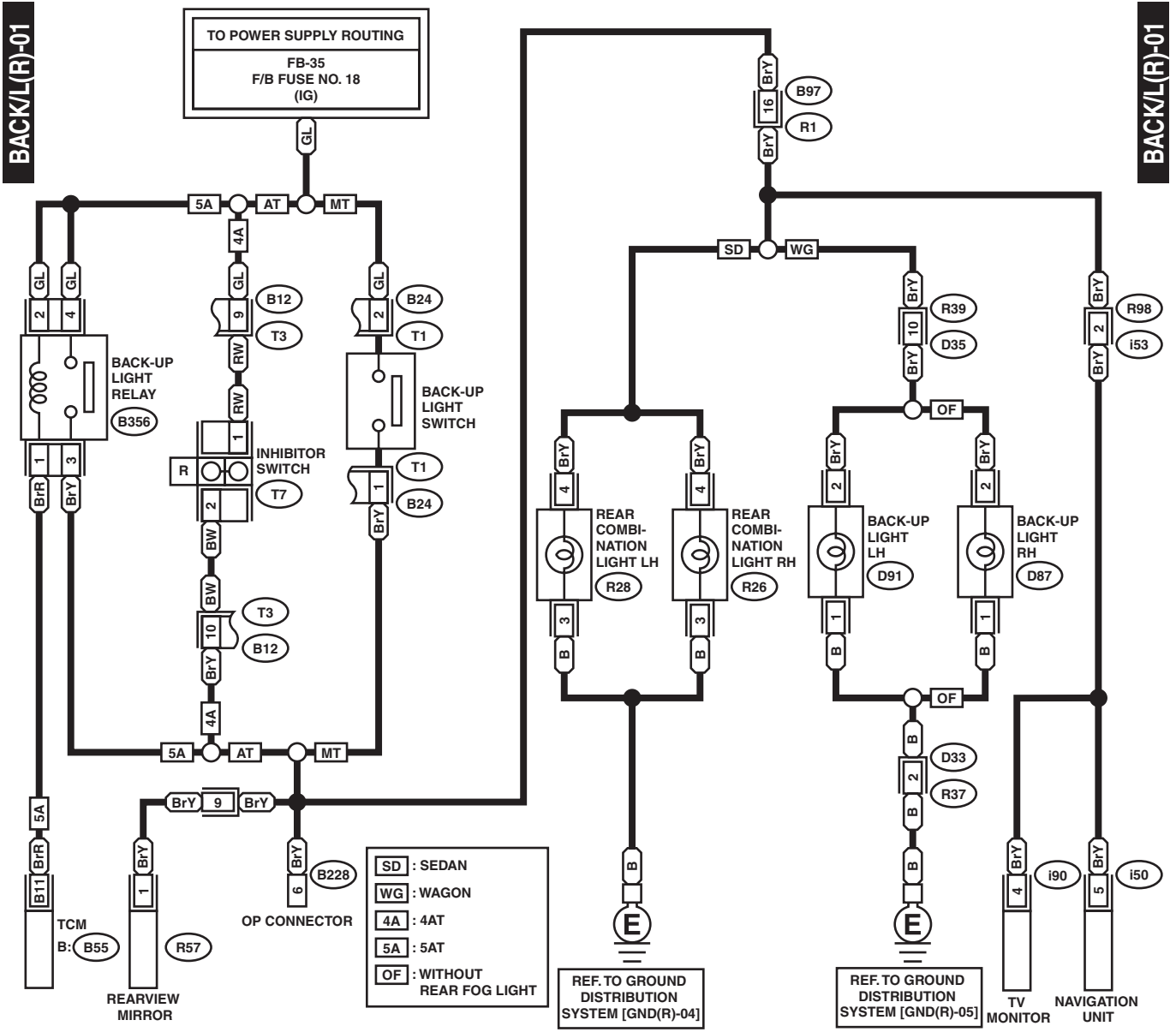
1. LHD MODEL



Back-up Light System

WIRING SYSTEM

2. RHD MODEL

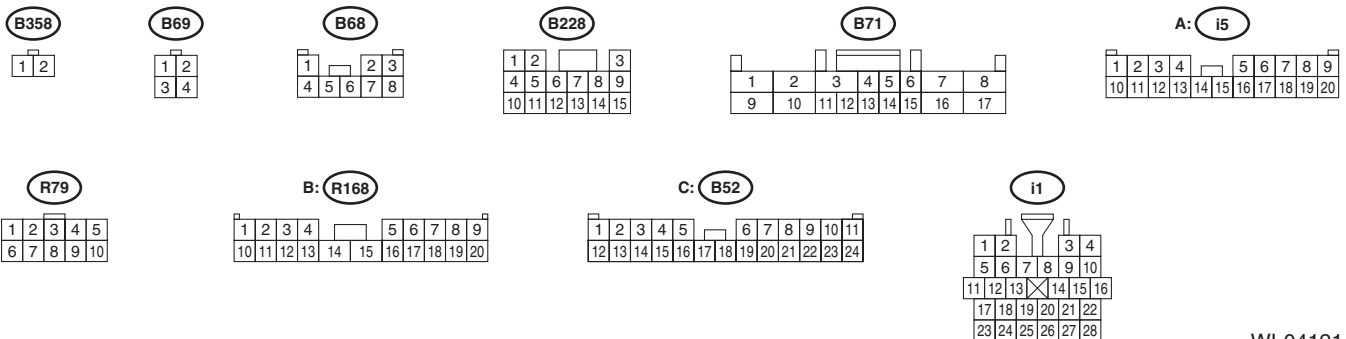
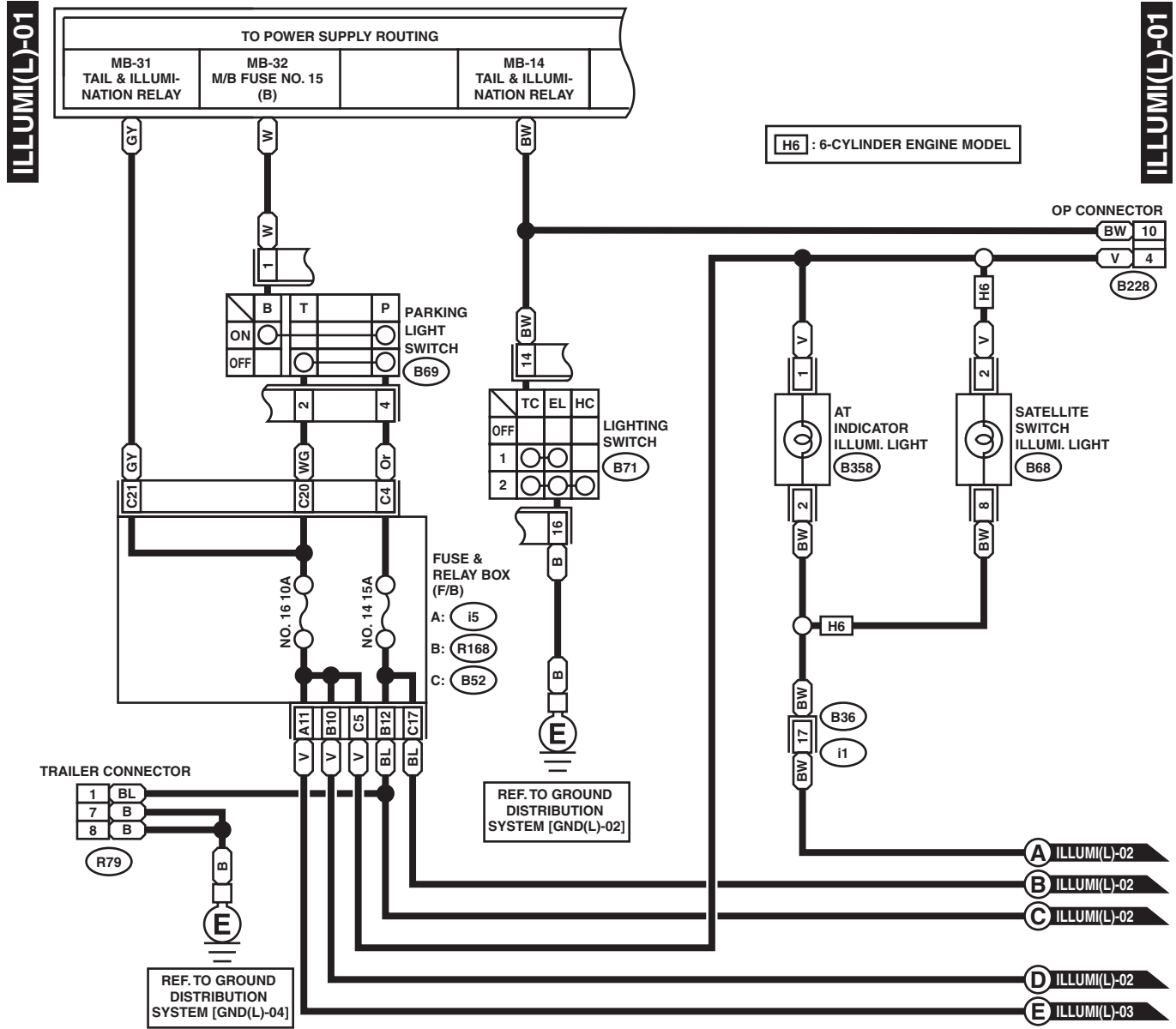


WI-04120

25. Clearance Light and Illumination Light System

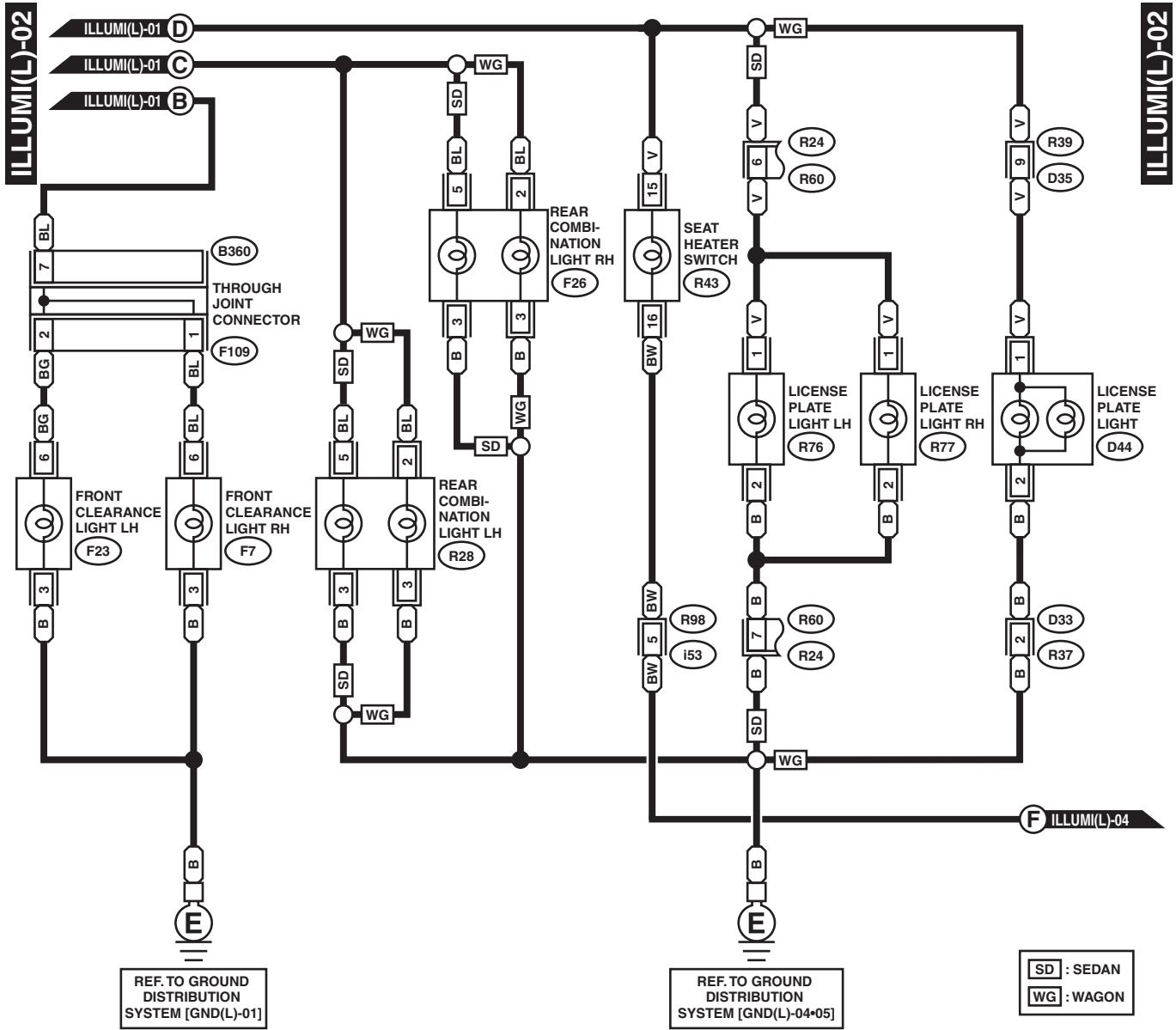
A: WIRING DIAGRAM

1. LHD MODEL



Clearance Light and Illumination Light System

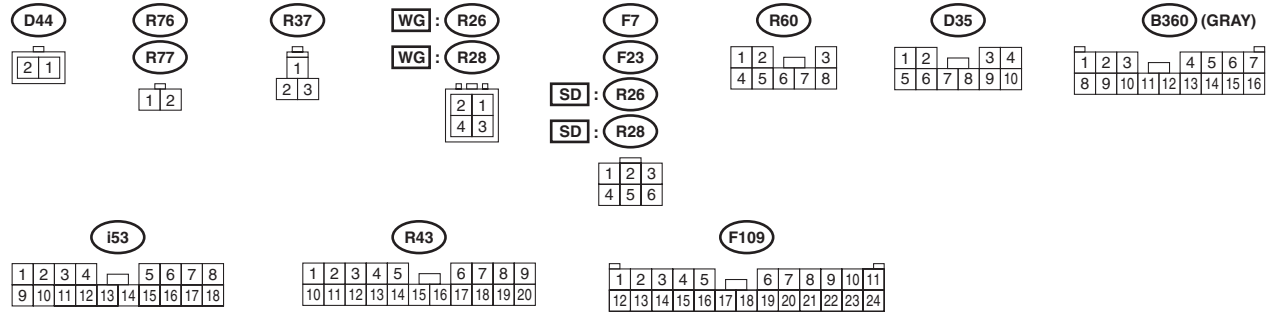
WIRING SYSTEM



REF. TO GROUND DISTRIBUTION SYSTEM [GND(L)-01]

REF. TO GROUND DISTRIBUTION SYSTEM [GND(L)-04+05]

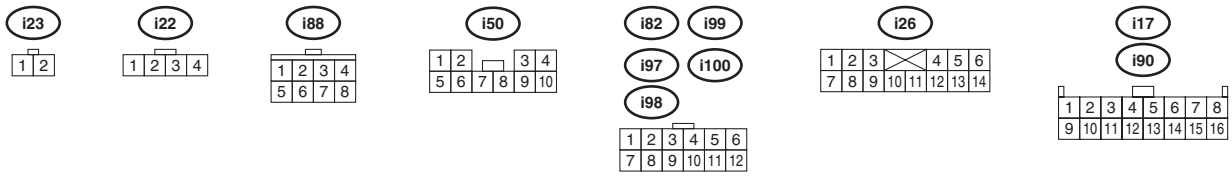
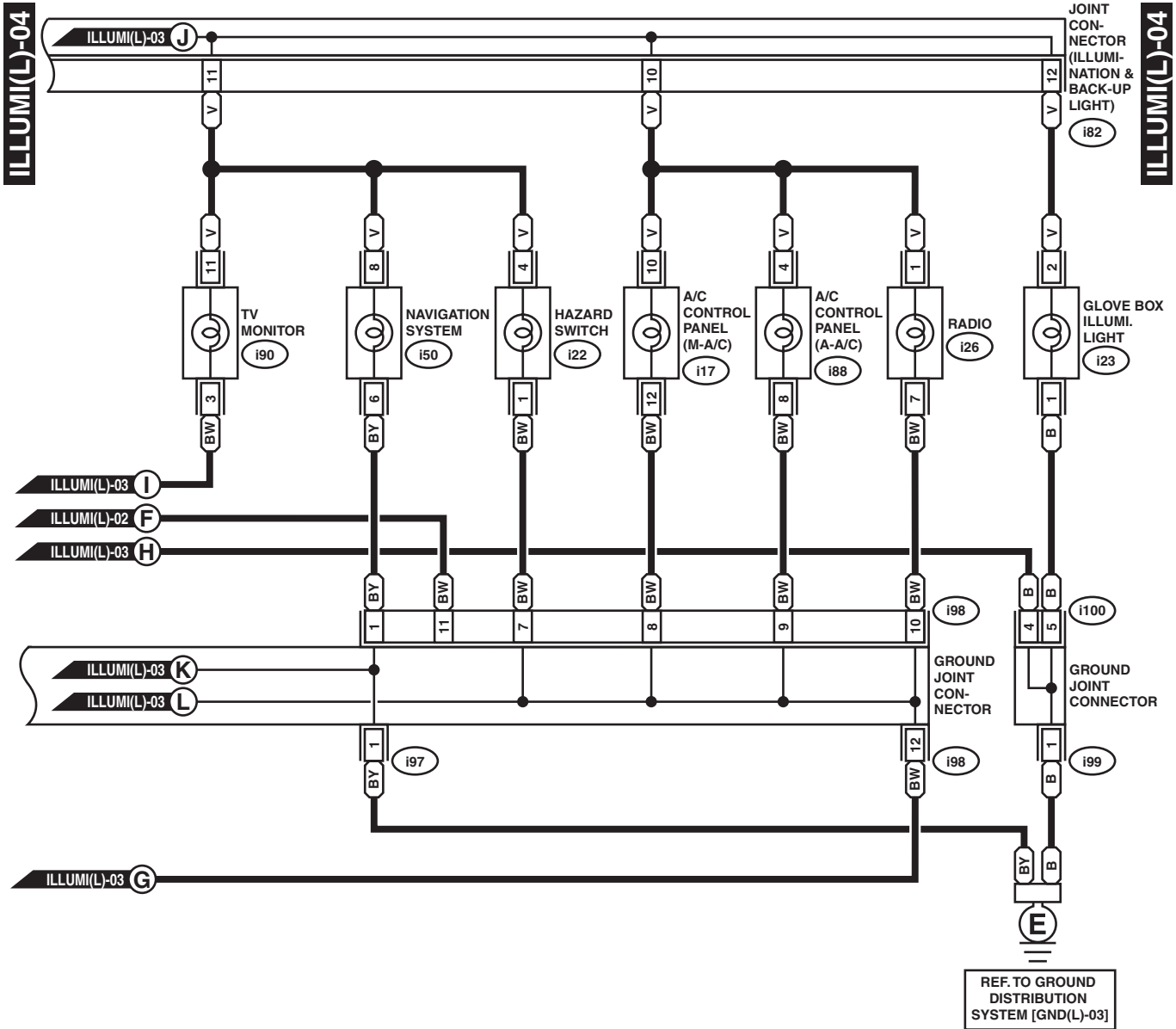
SD : SEDAN
WG : WAGON



WI-04122

Clearance Light and Illumination Light System

WIRING SYSTEM



WI-04124

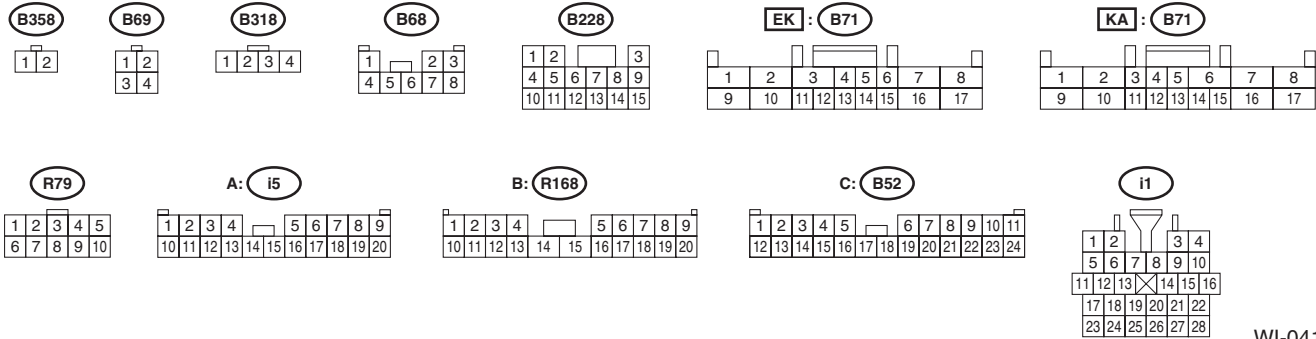
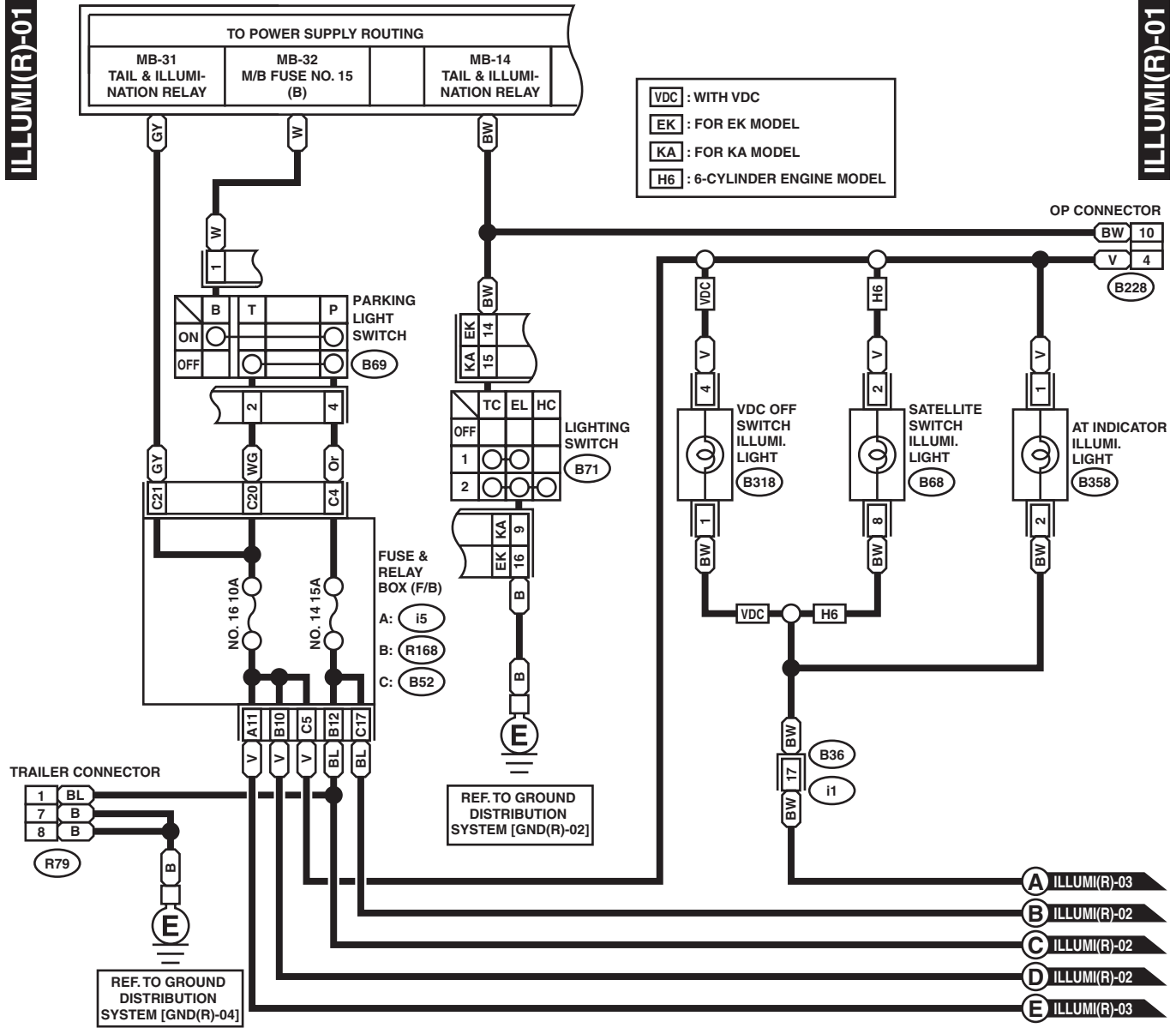
Clearance Light and Illumination Light System

WIRING SYSTEM

2. RHD MODEL

ILLUMI(R)-01

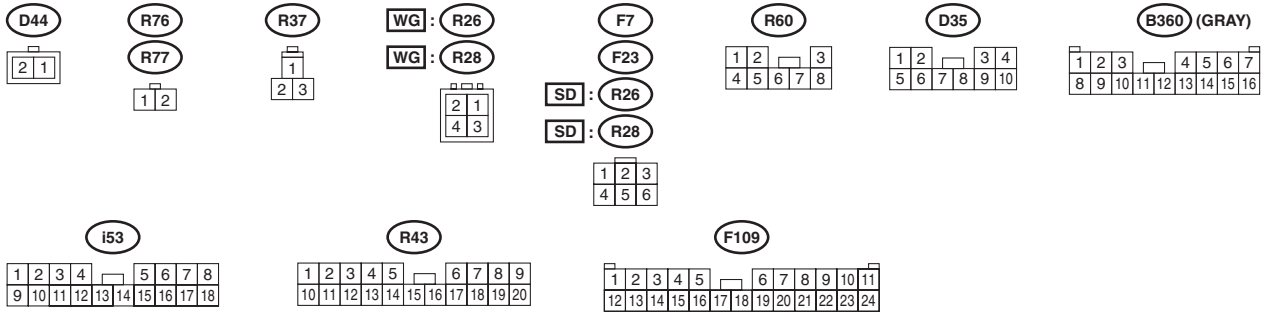
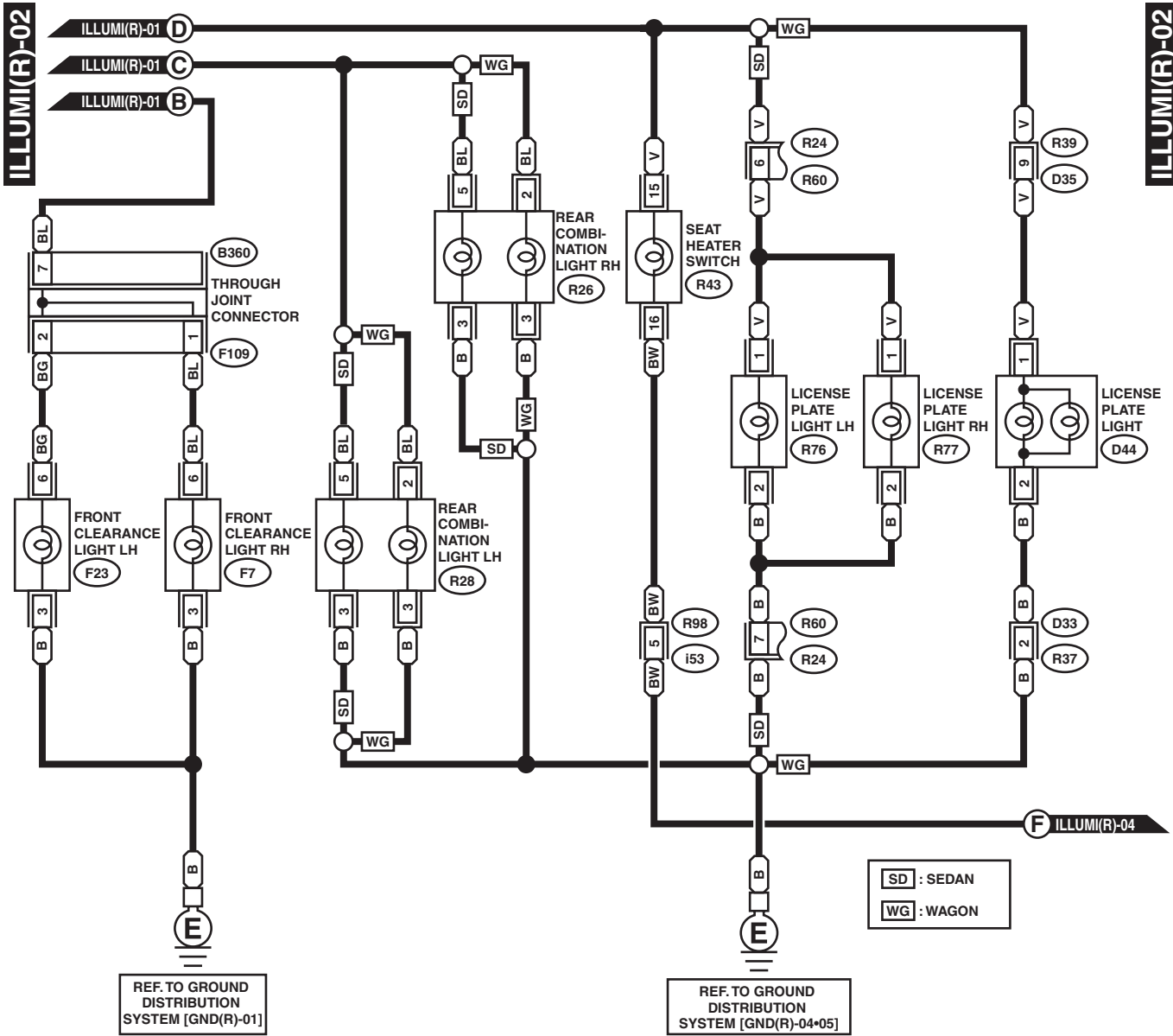
ILLUMI(R)-01



WI-04125

Clearance Light and Illumination Light System

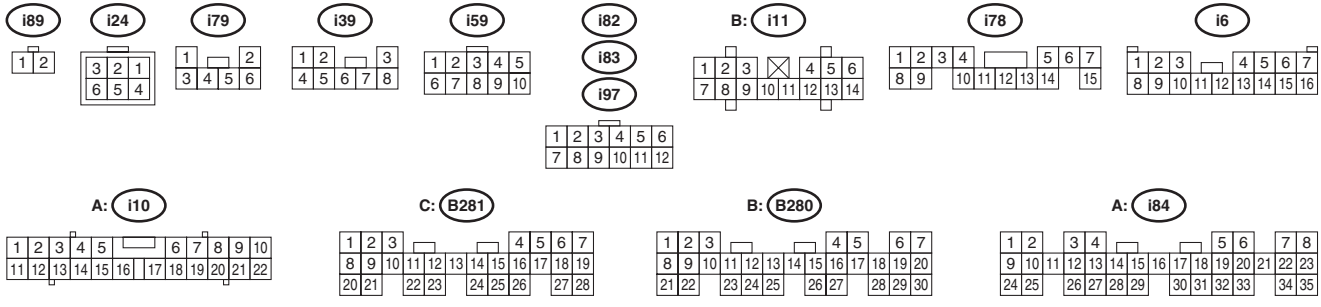
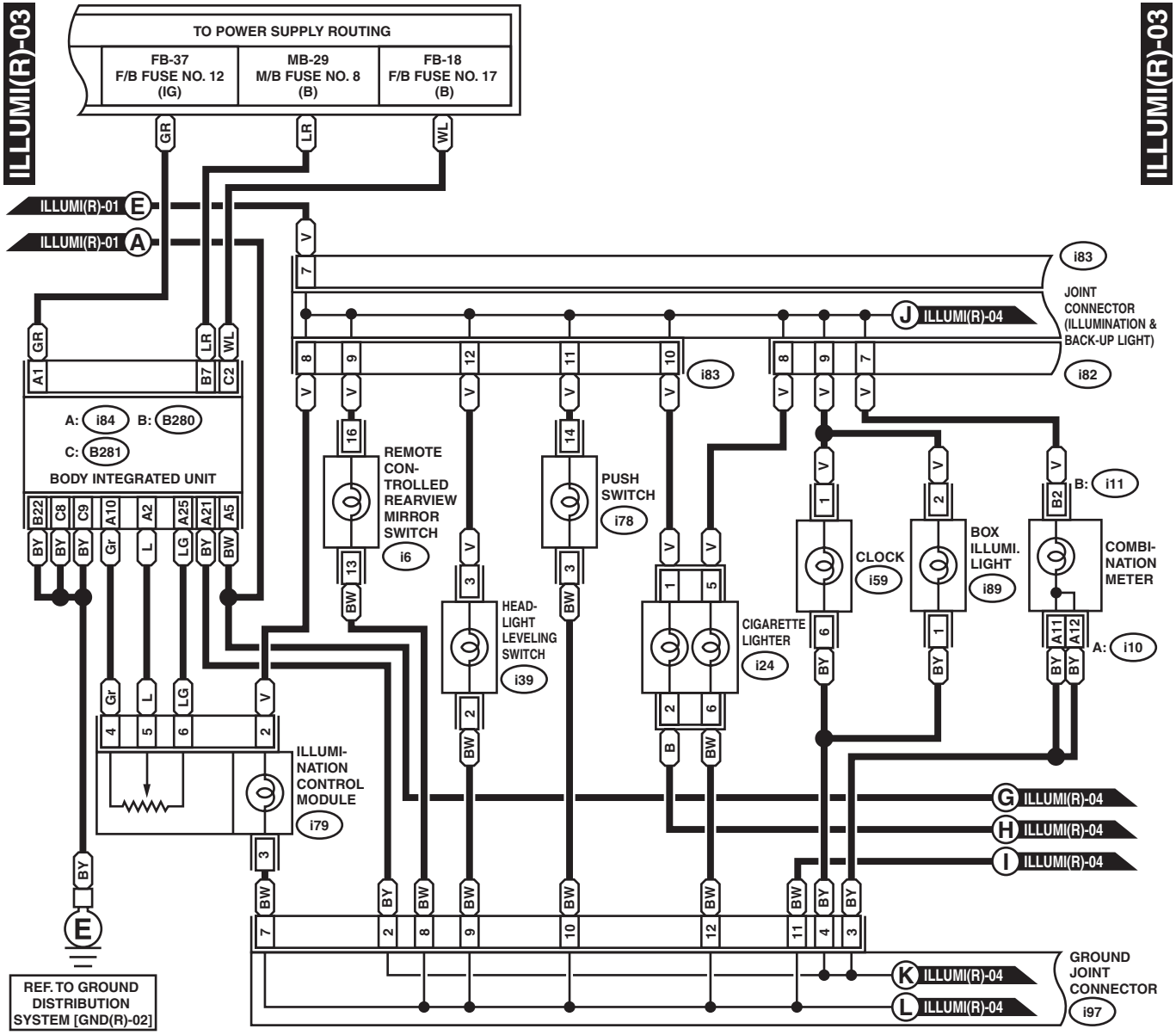
WIRING SYSTEM



WI-04126

Clearance Light and Illumination Light System

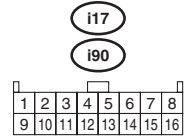
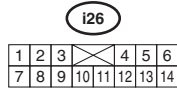
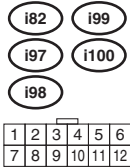
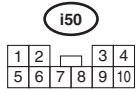
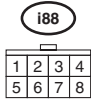
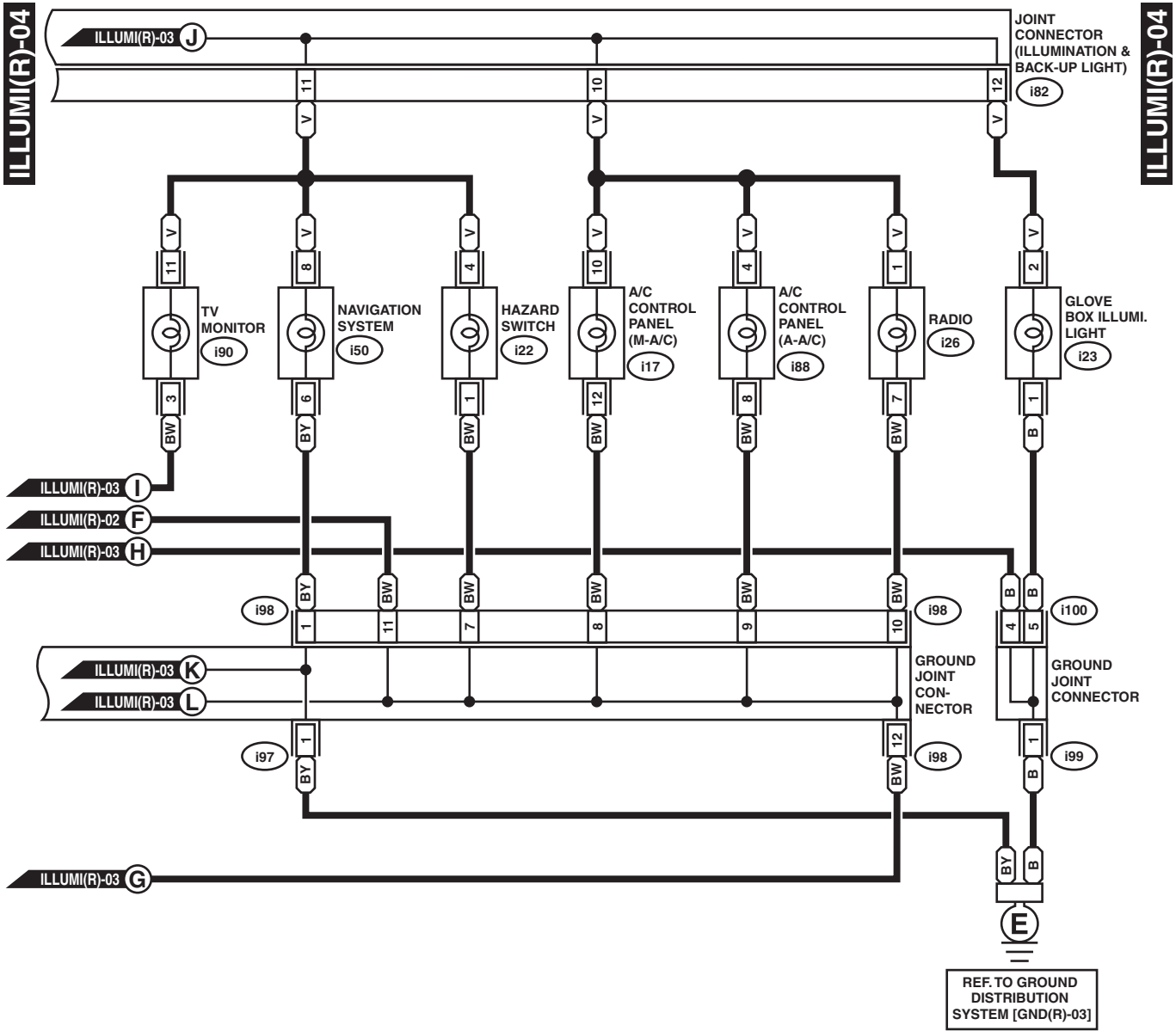
WIRING SYSTEM



WI-04127

Clearance Light and Illumination Light System

WIRING SYSTEM



WI-04128

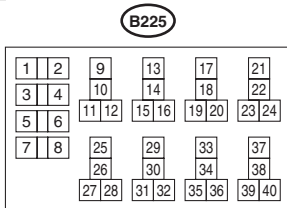
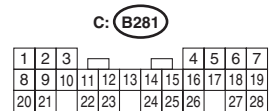
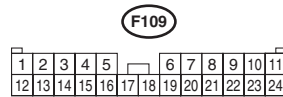
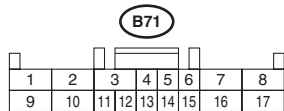
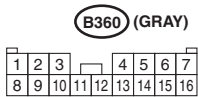
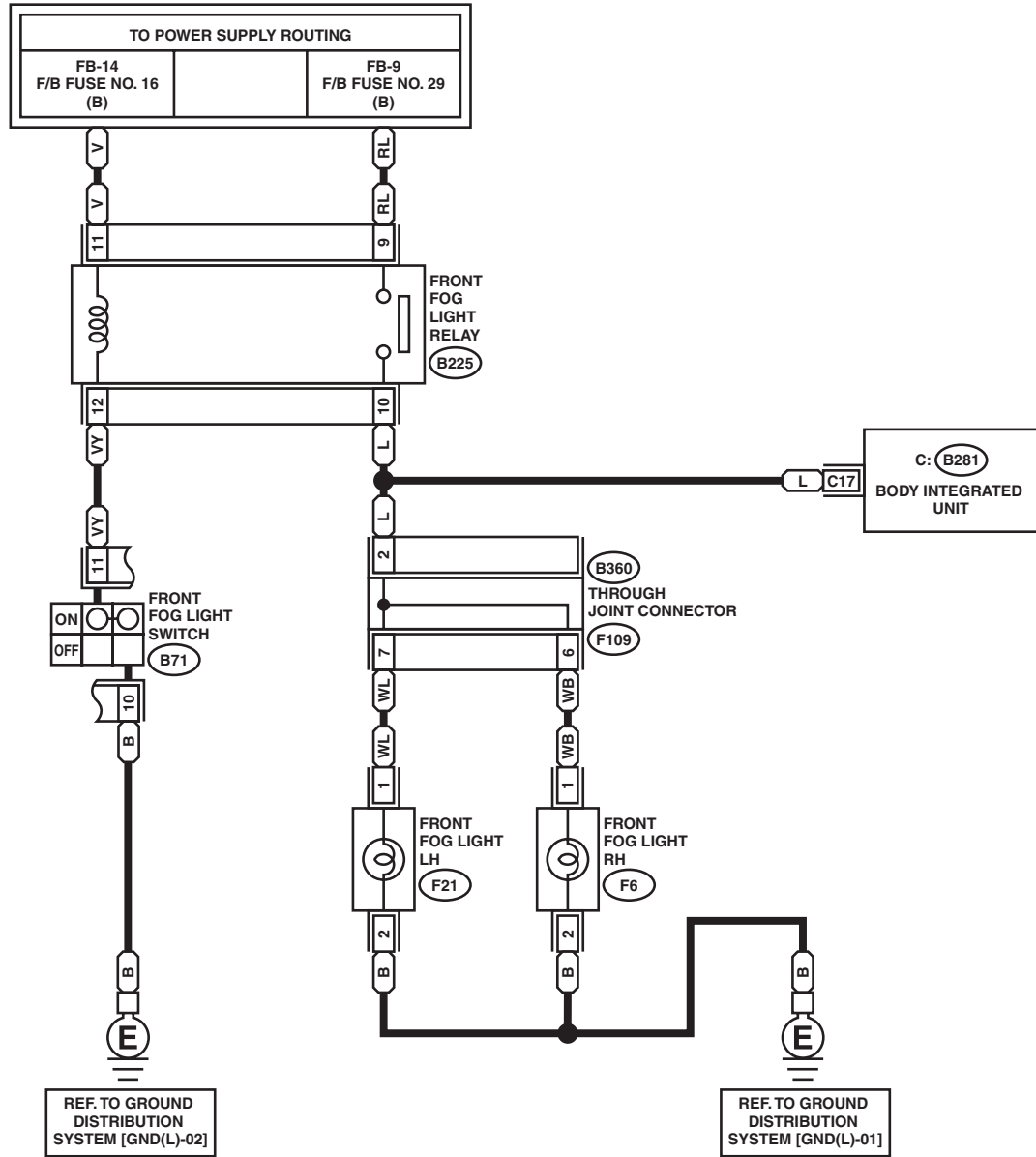
26. Front Fog Light System

A: WIRING DIAGRAM

1. LHD MODEL

FOG(L)-01

FOG(L)-01



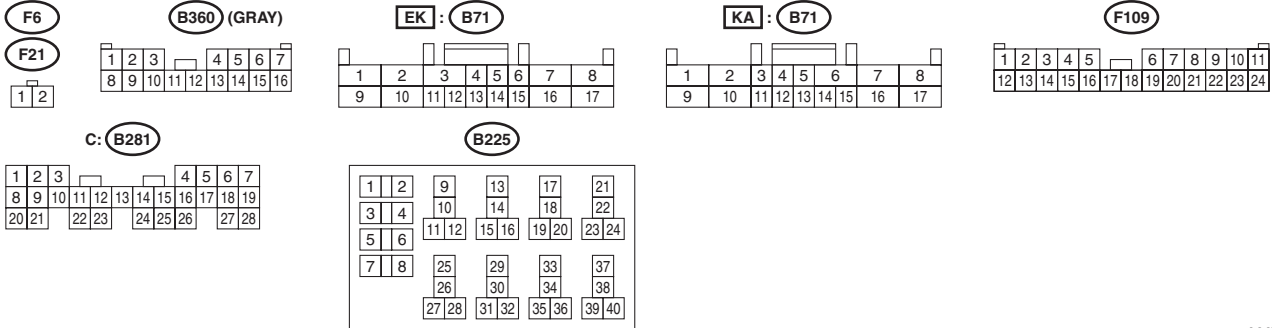
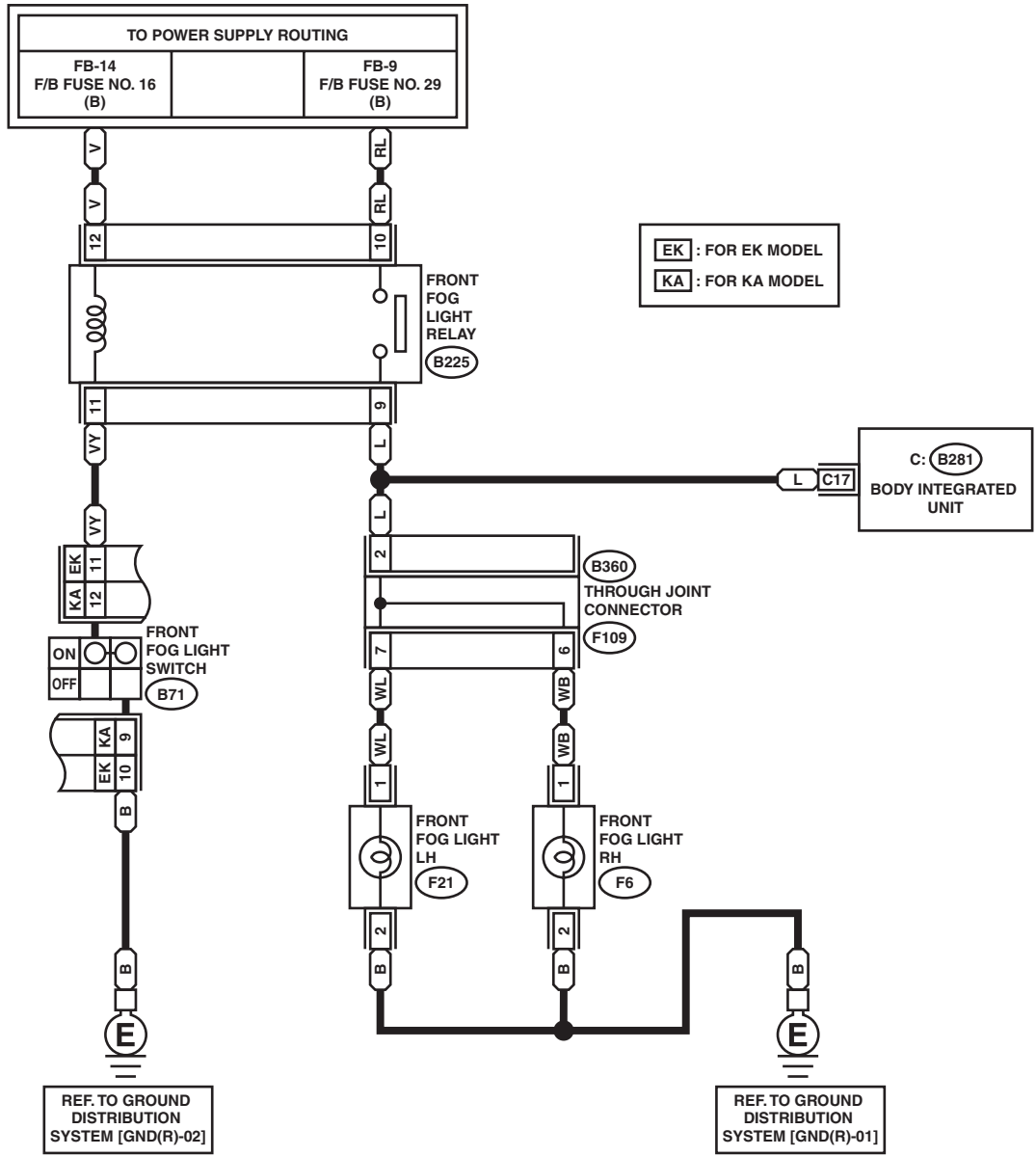
Front Fog Light System

WIRING SYSTEM

2. RHD MODEL

FOG(R)-01

FOG(R)-01

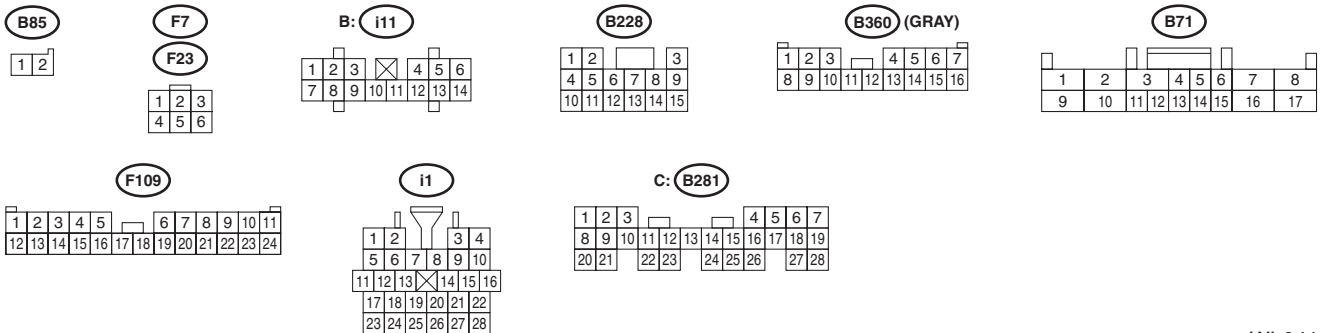
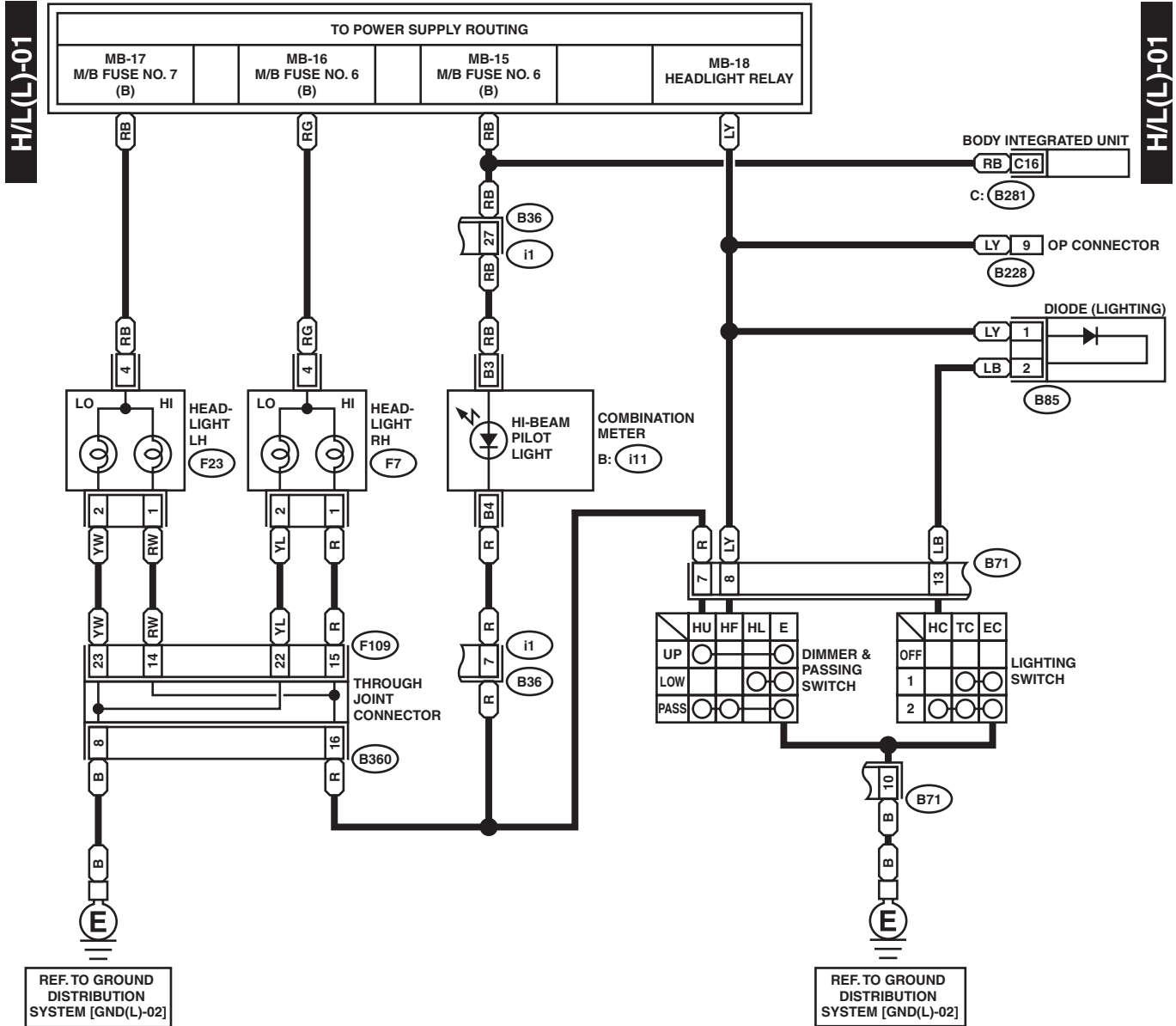


WI-04130

27. Headlight System

A: WIRING DIAGRAM

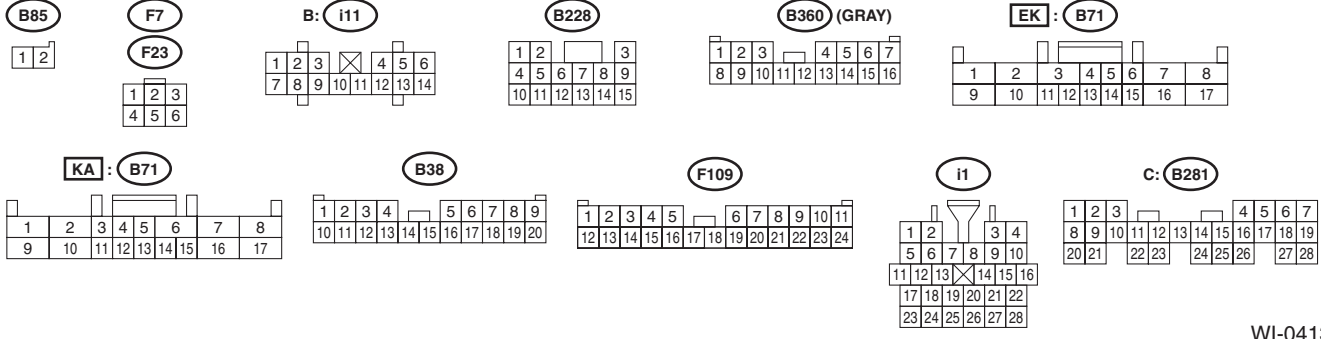
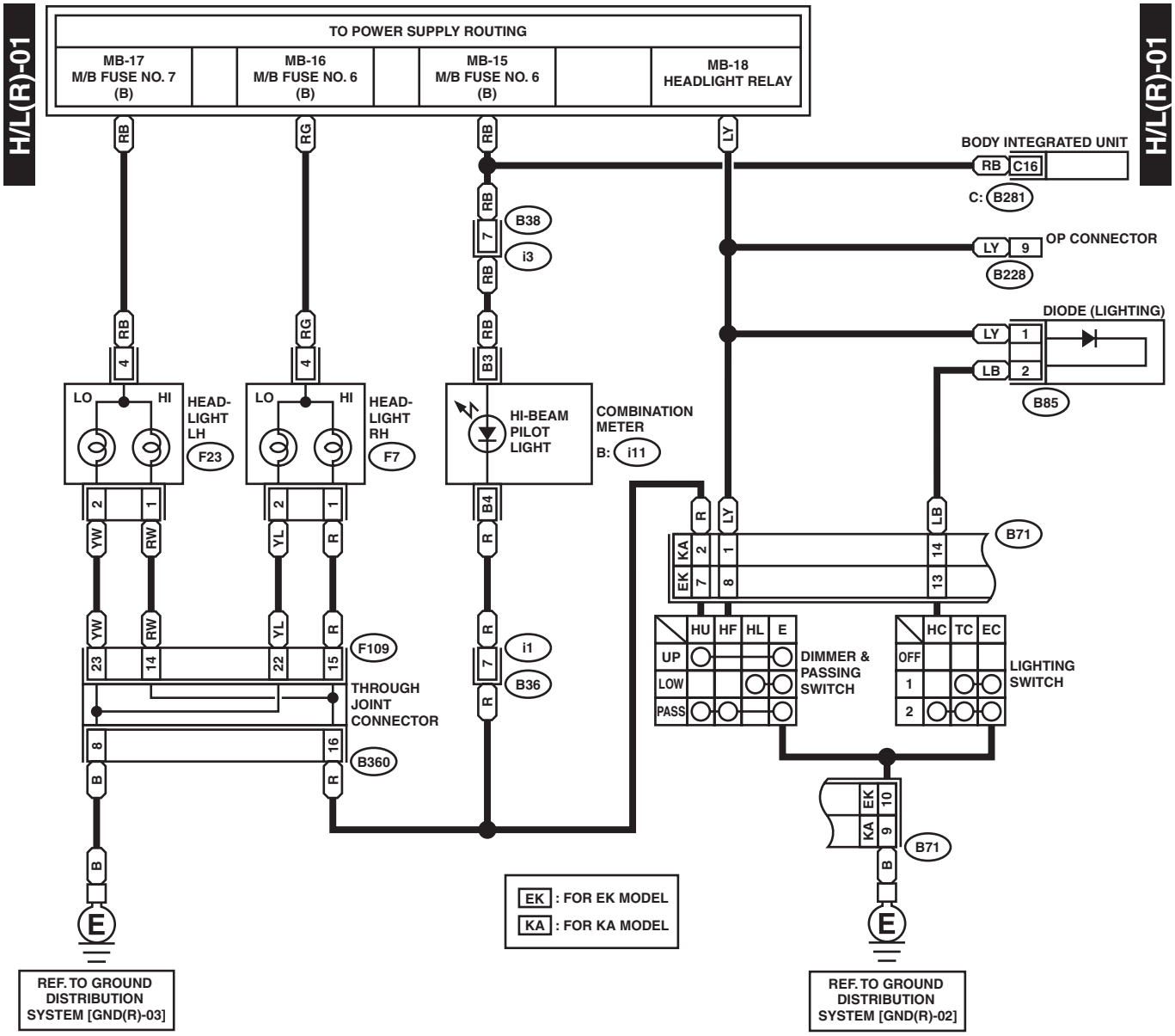
1. LHD MODEL



Headlight System

WIRING SYSTEM

2. RHD MODEL

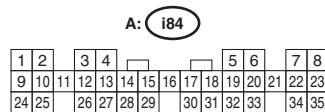
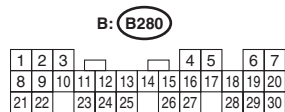
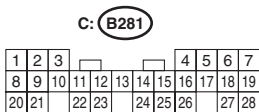
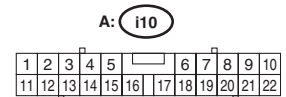
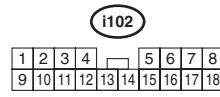
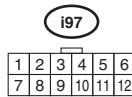
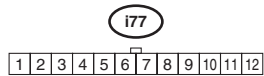
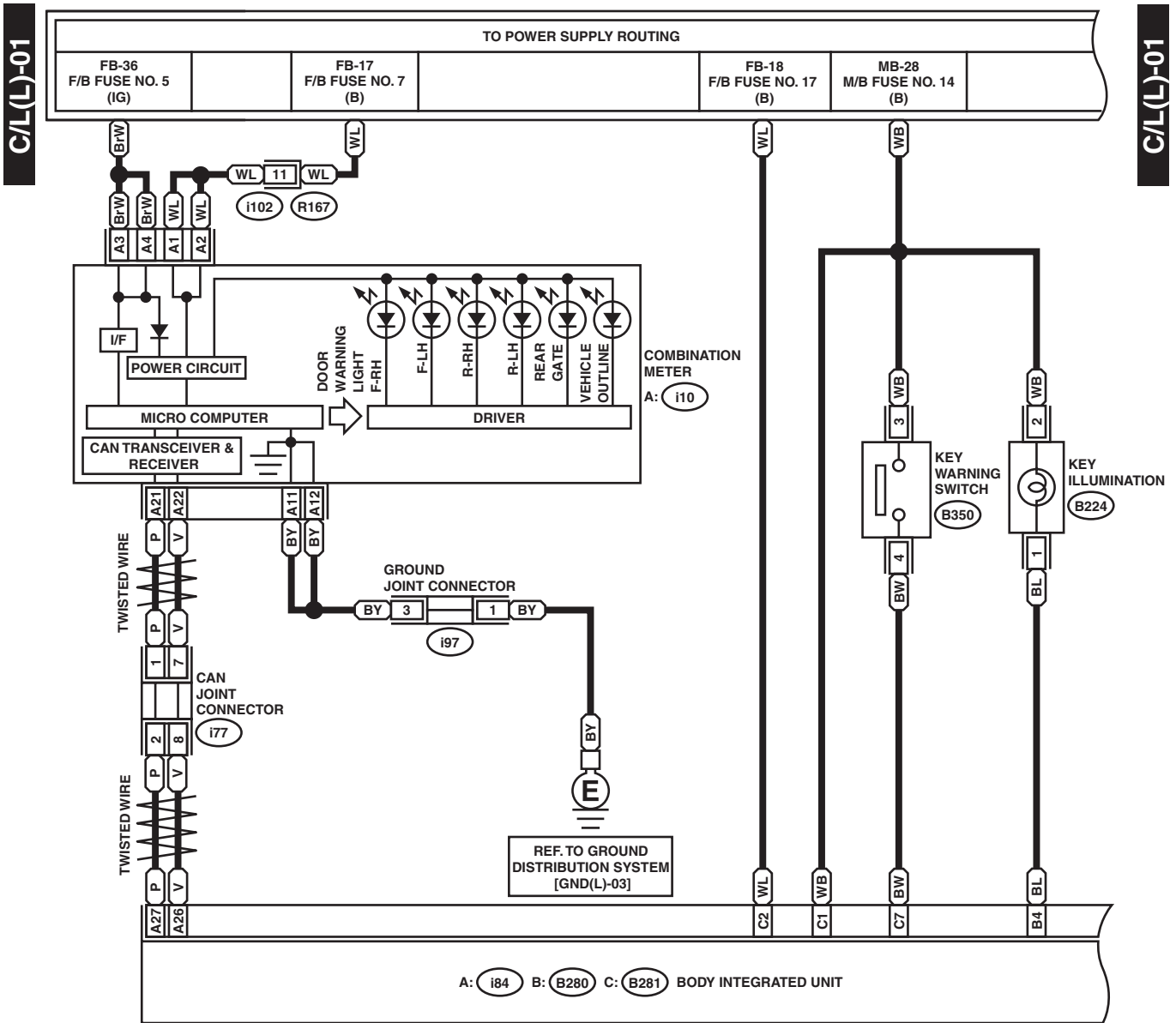


WI-04132

28. Interior Light System

A: WIRING DIAGRAM

1. LHD MODEL

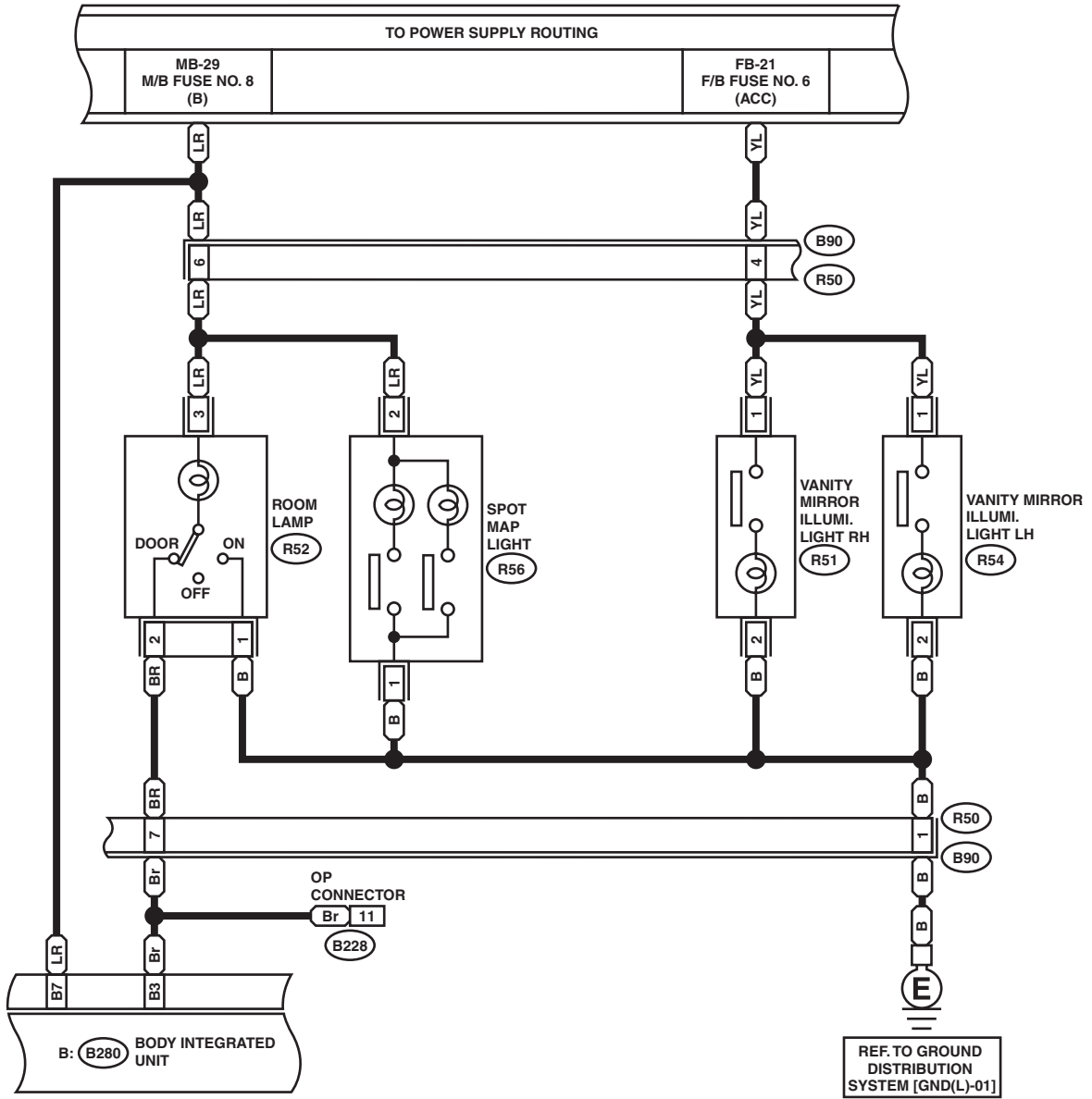


Interior Light System

WIRING SYSTEM

C/L(L)-02

C/L(L)-02



- (R51) (BLACK)
- (R54) (BLACK)
- (R56)
- 1 2

- (R52)
- 1 2 3

- (R50)
- 1 2 3 4 5 6 7
- 8 9 10 11 12 13 14 15 16

- (B228)
- 1 2 3
- 4 5 6 7 8 9
- 10 11 12 13 14 15

- B: (B280)
- 1 2 3 4 5 6 7
- 8 9 10 11 12 13 14 15 16 17 18 19 20
- 21 22 23 24 25 26 27 28 29 30

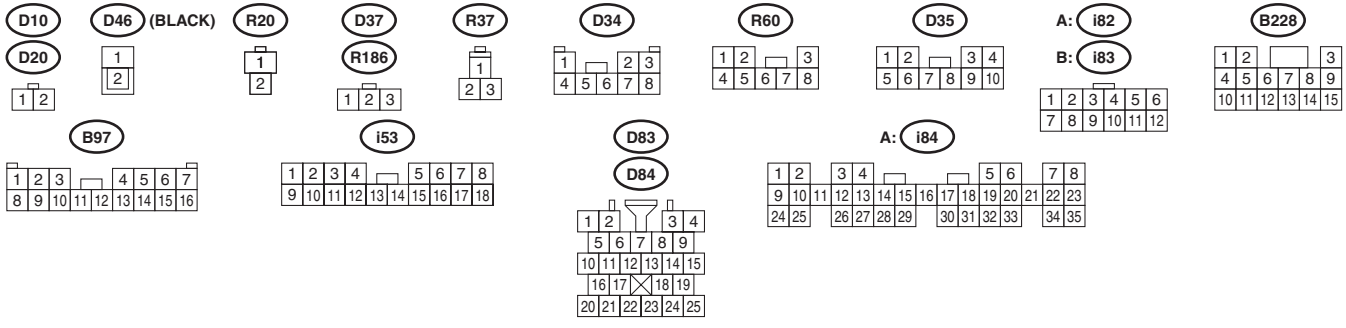
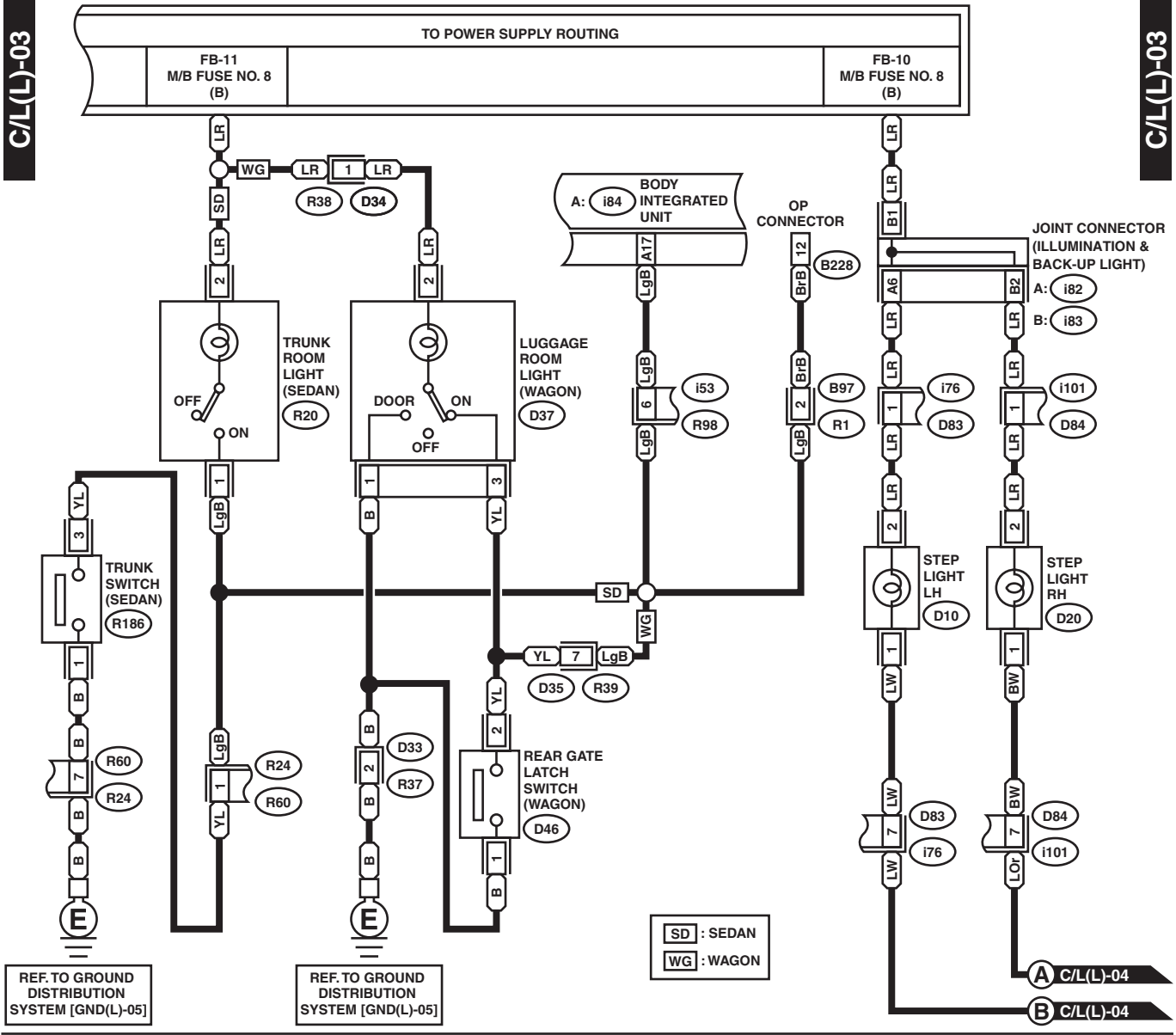
WI-04135

Interior Light System

WIRING SYSTEM

C/L(L)-03

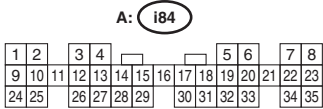
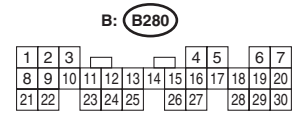
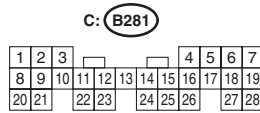
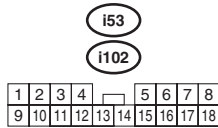
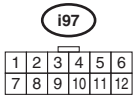
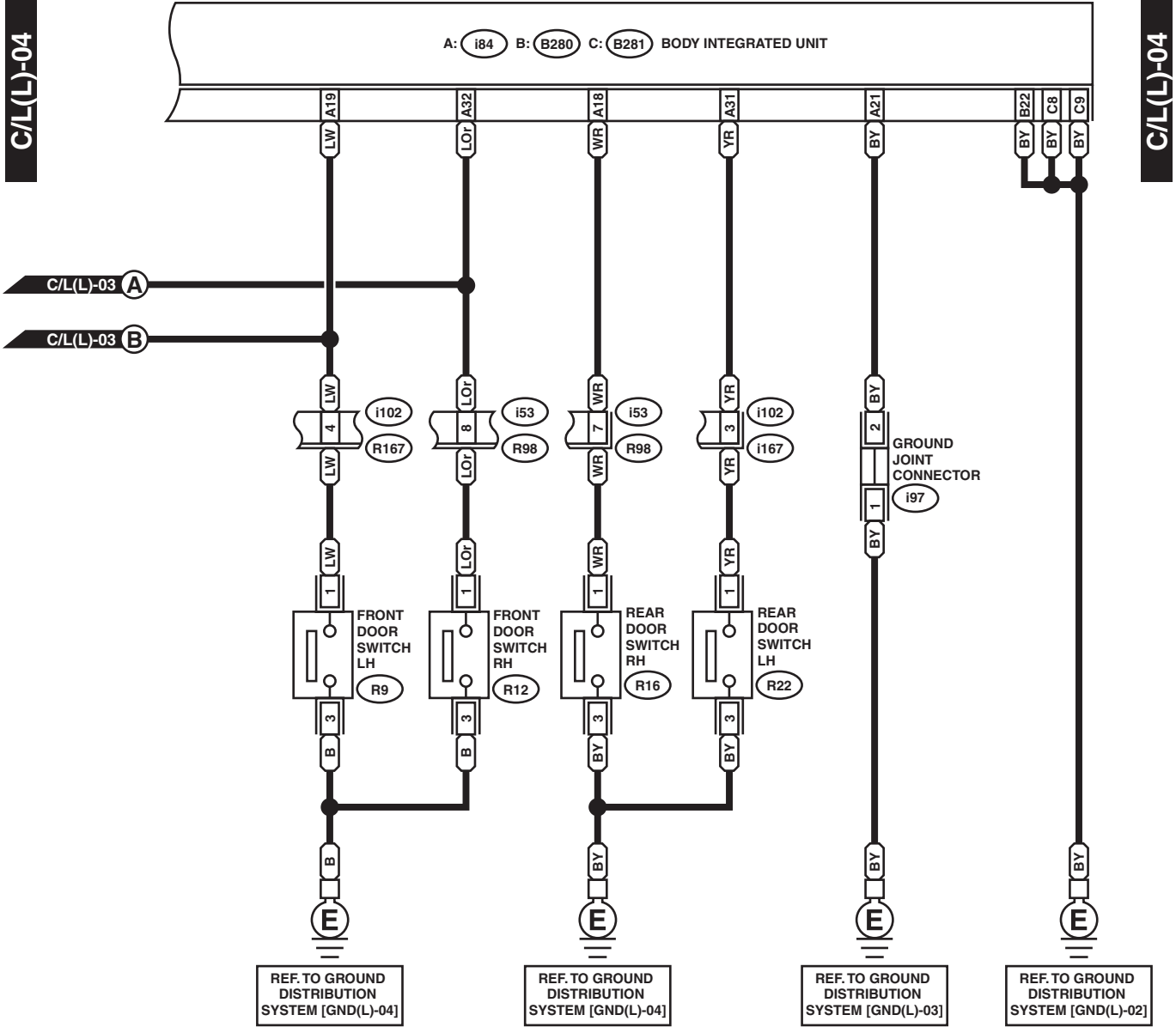
C/L(L)-03



WI-04136

Interior Light System

WIRING SYSTEM

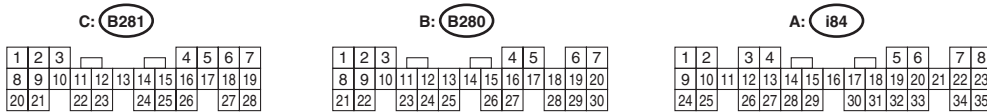
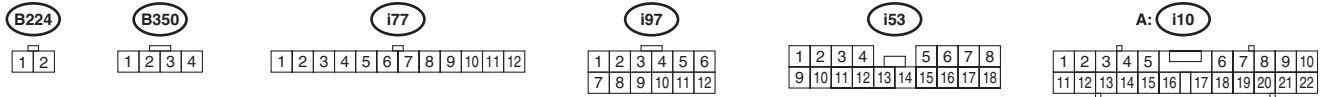
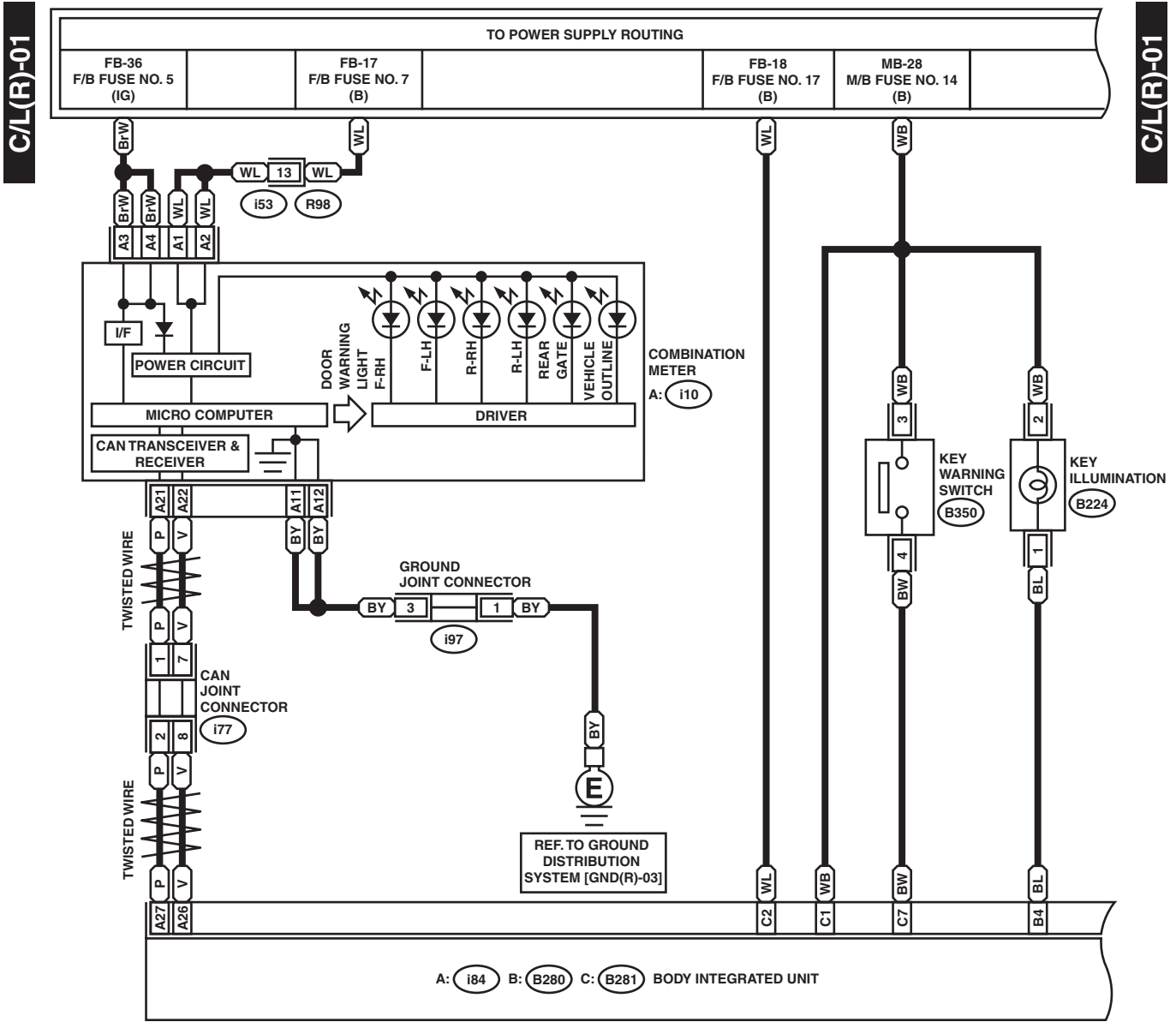


WI-04137

Interior Light System

WIRING SYSTEM

2. RHD MODEL



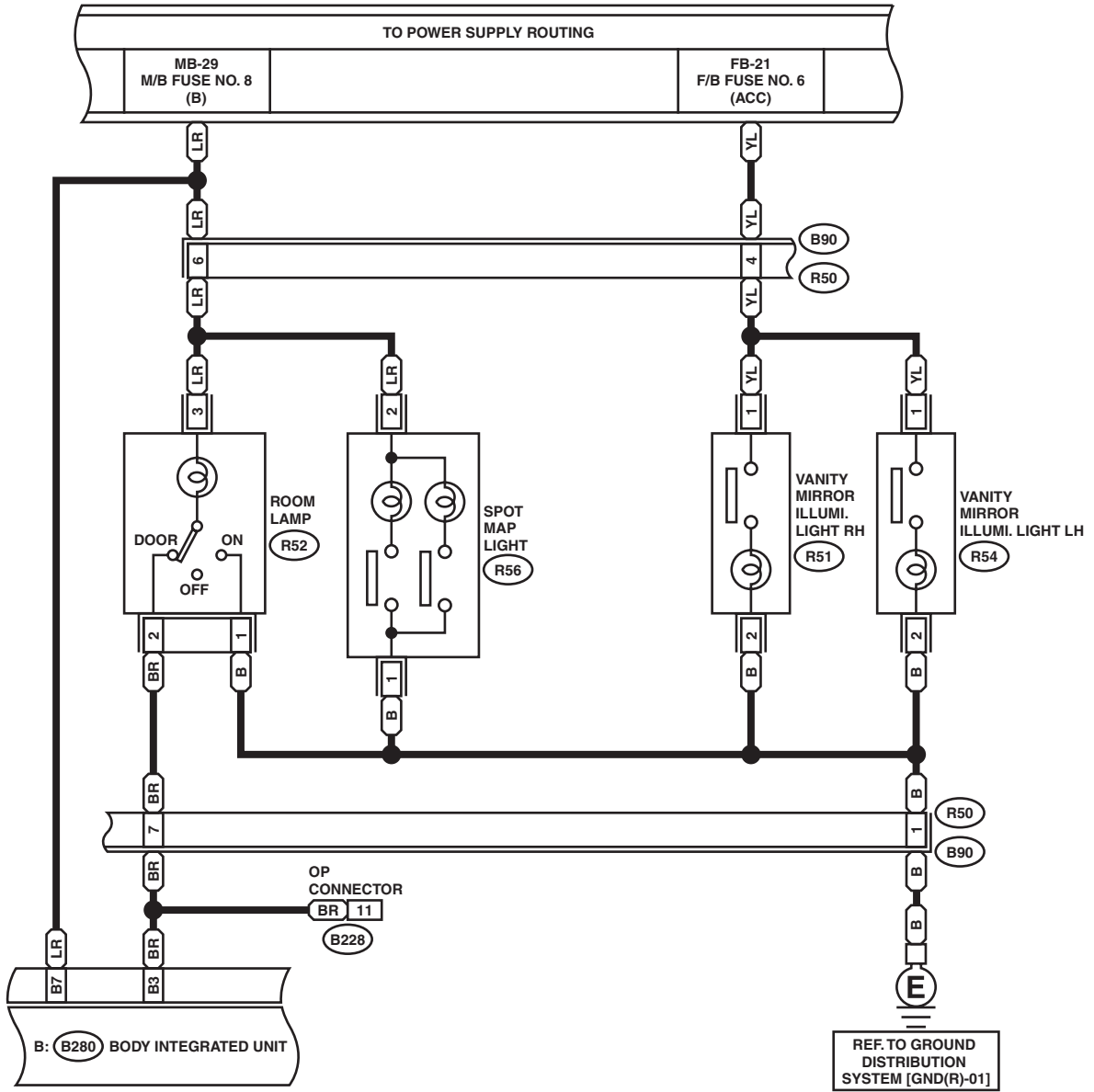
WI-04138

Interior Light System

WIRING SYSTEM

C/L(R)-02

C/L(R)-02



R51 (BLACK)

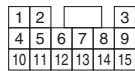
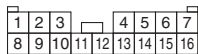
R52

R50

B228

B: B280

R54 (BLACK)



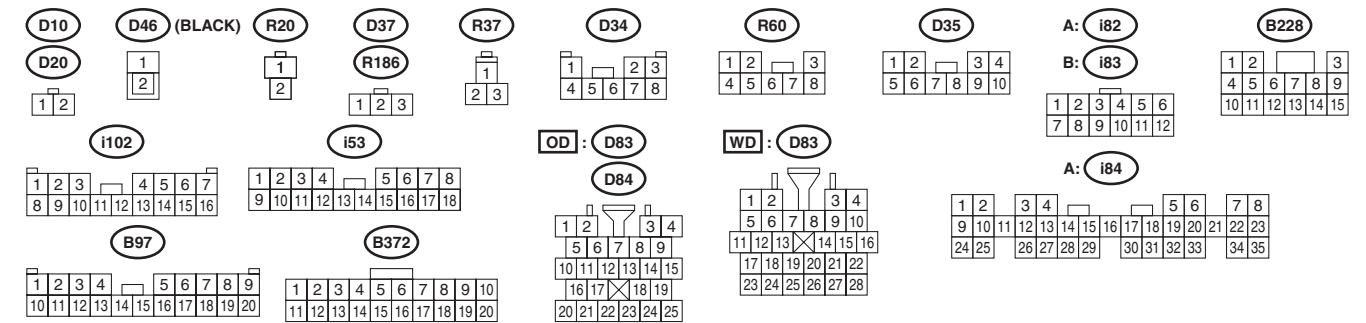
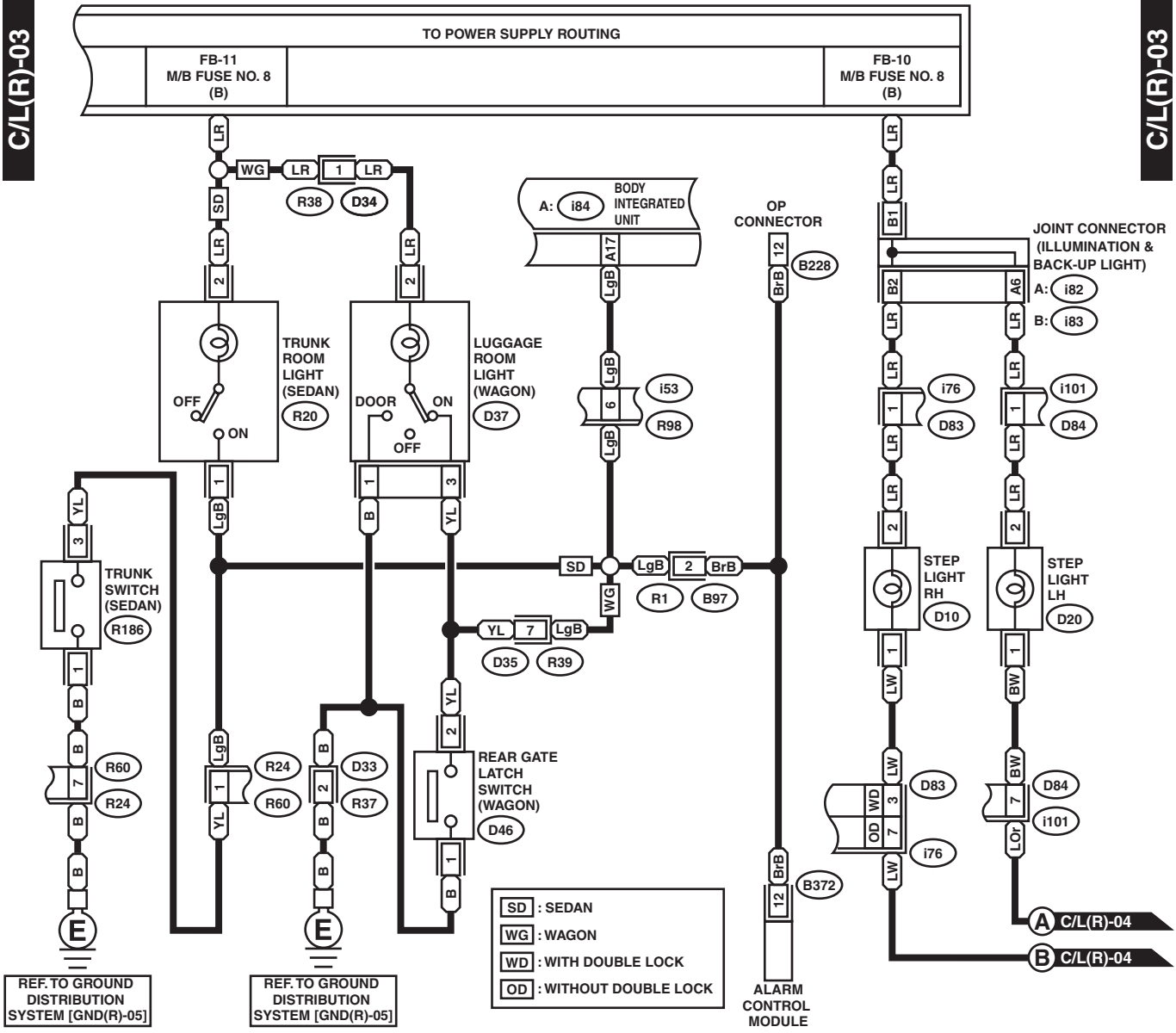
WI-04139

Interior Light System

WIRING SYSTEM

C/L(R)-03

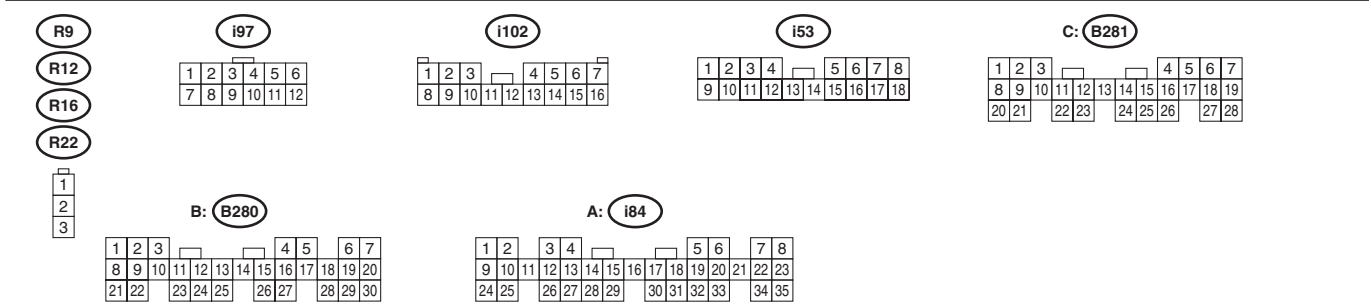
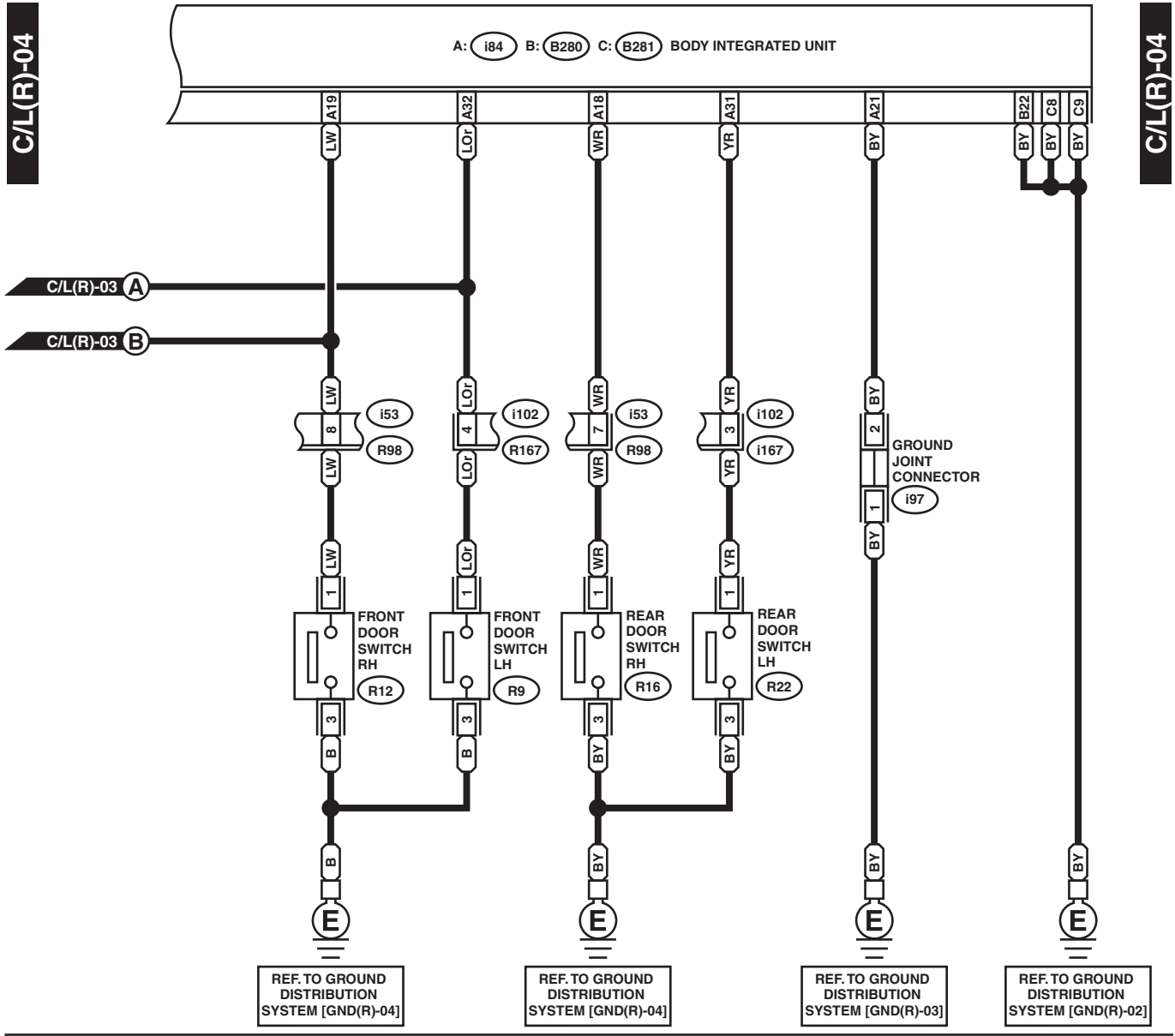
C/L(R)-03



WI-04140

Interior Light System

WIRING SYSTEM



WI-04141

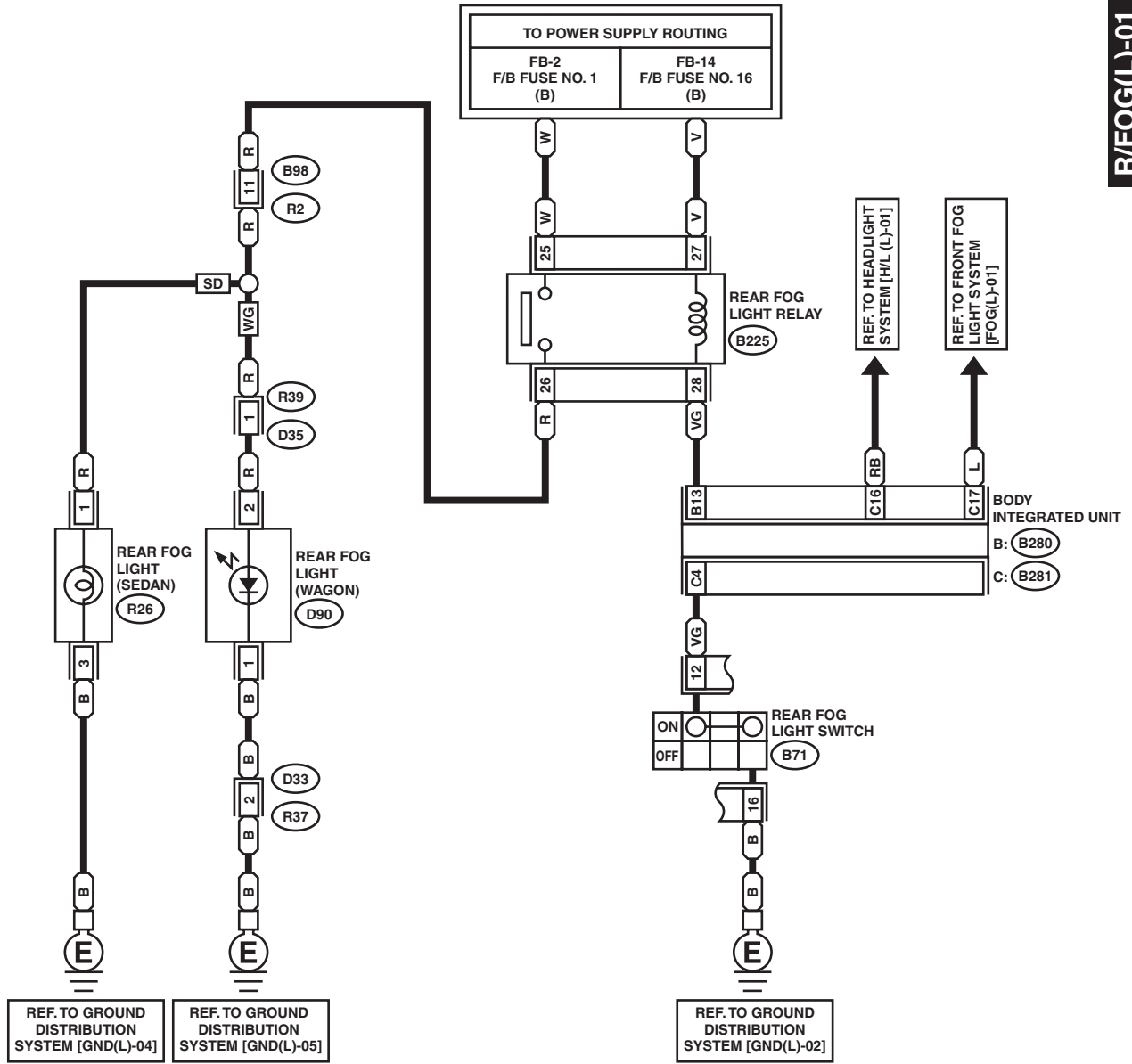
29. Rear Fog Light System

A: WIRING DIAGRAM

1. LHD MODEL

R/FOG(L)-01

R/FOG(L)-01



D90



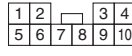
R37



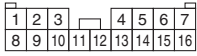
R26



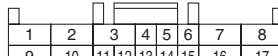
D35



B98



B71



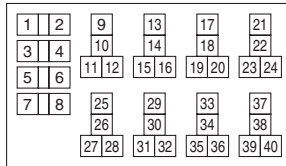
C: B281



B: B280



B225



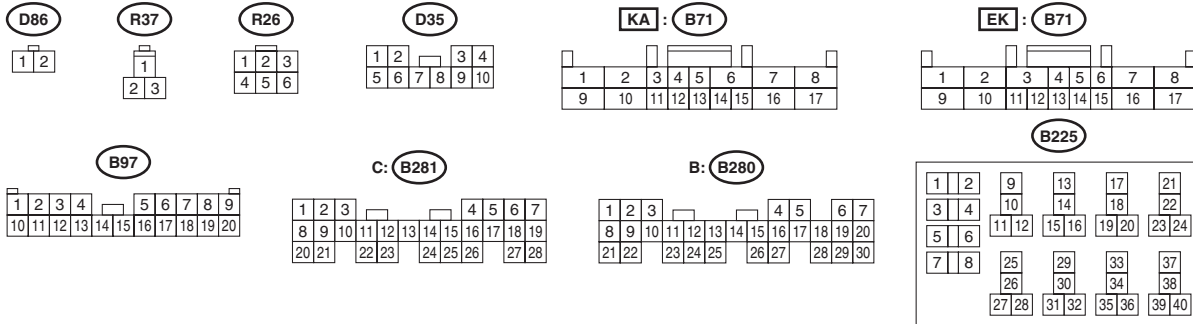
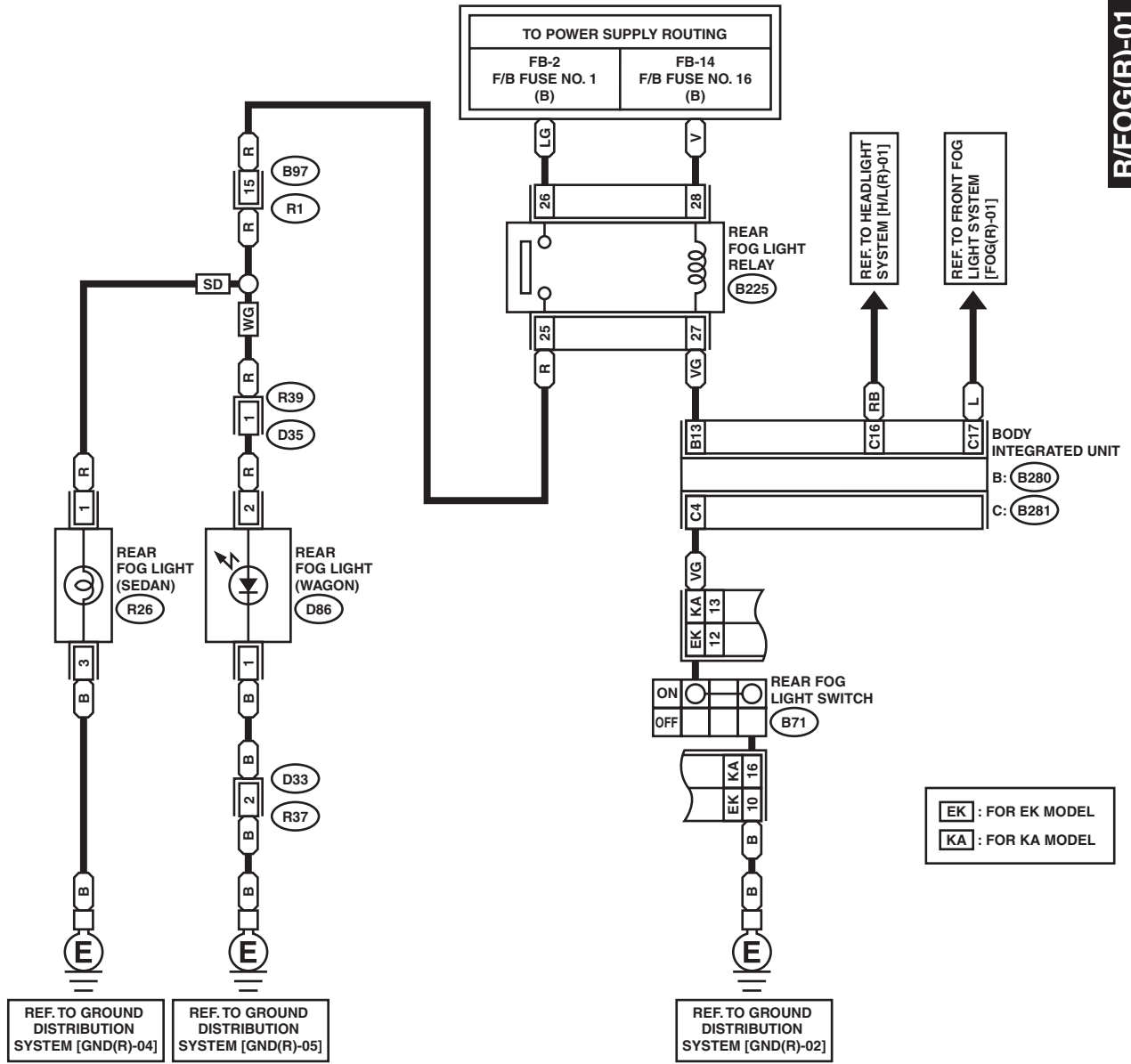
Rear Fog Light System

WIRING SYSTEM

2. RHD MODEL

R/FOG(R)-01

R/FOG(R)-01



WI-04143

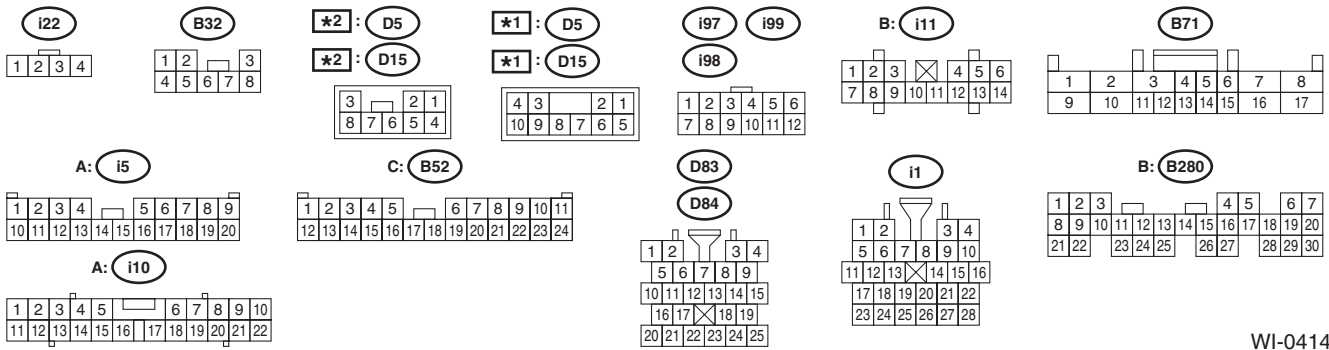
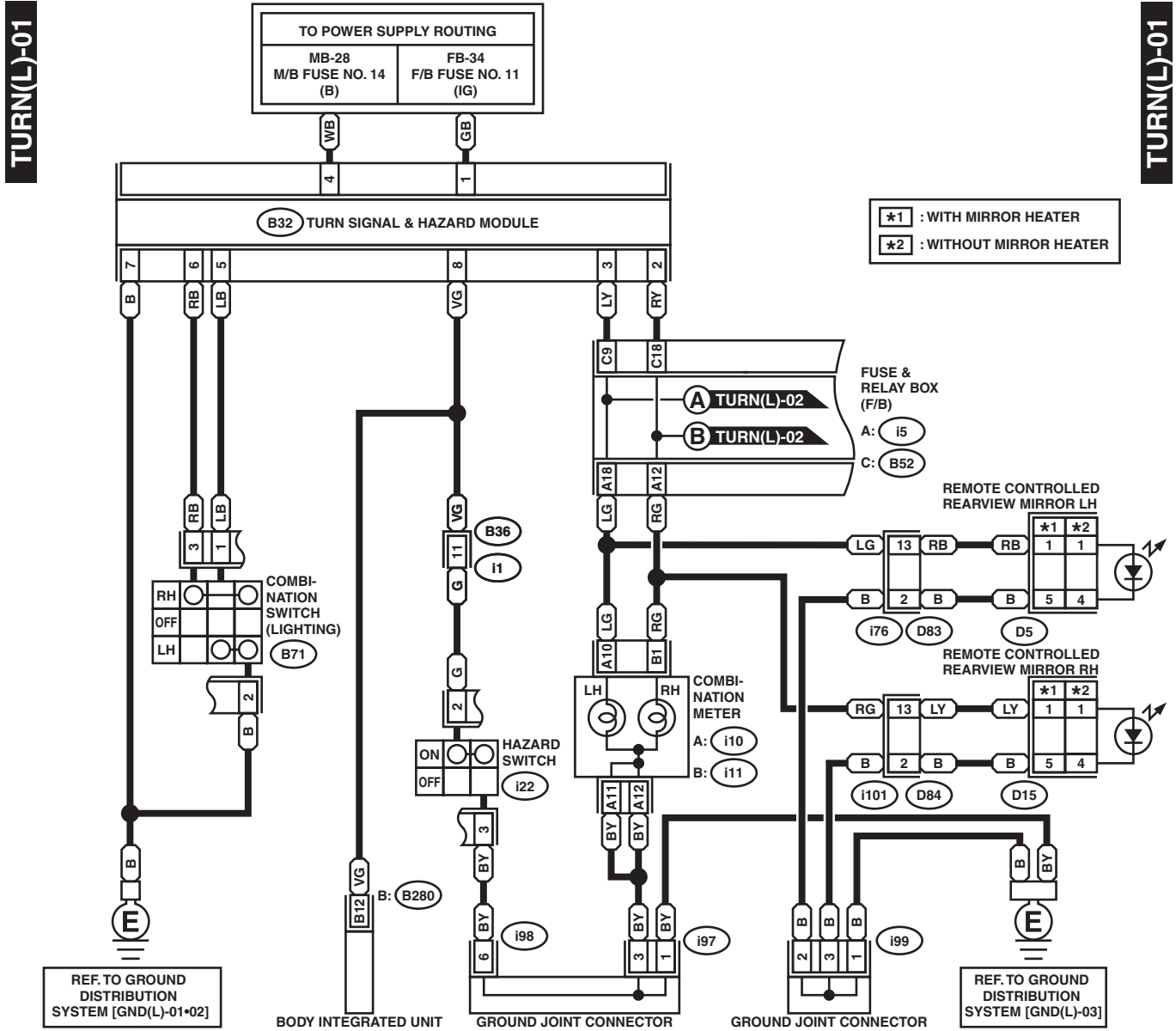
Turn Signal Light and Hazard Light System

WIRING SYSTEM

31. Turn Signal Light and Hazard Light System

A: WIRING DIAGRAM

1. LHD MODEL



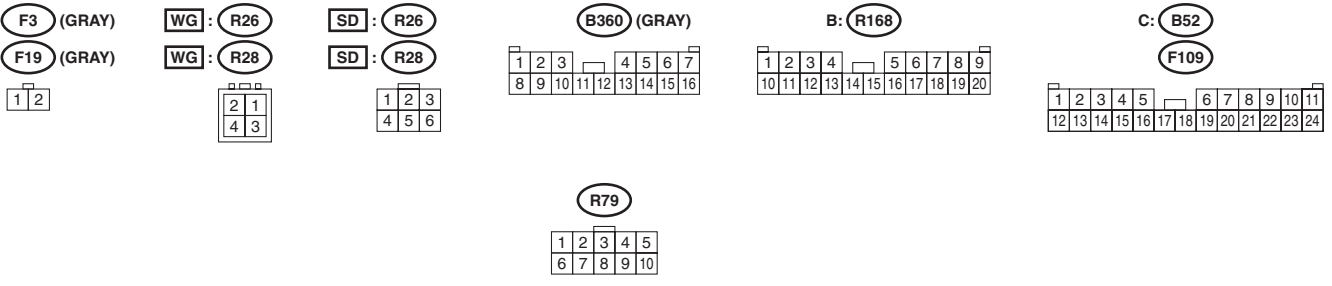
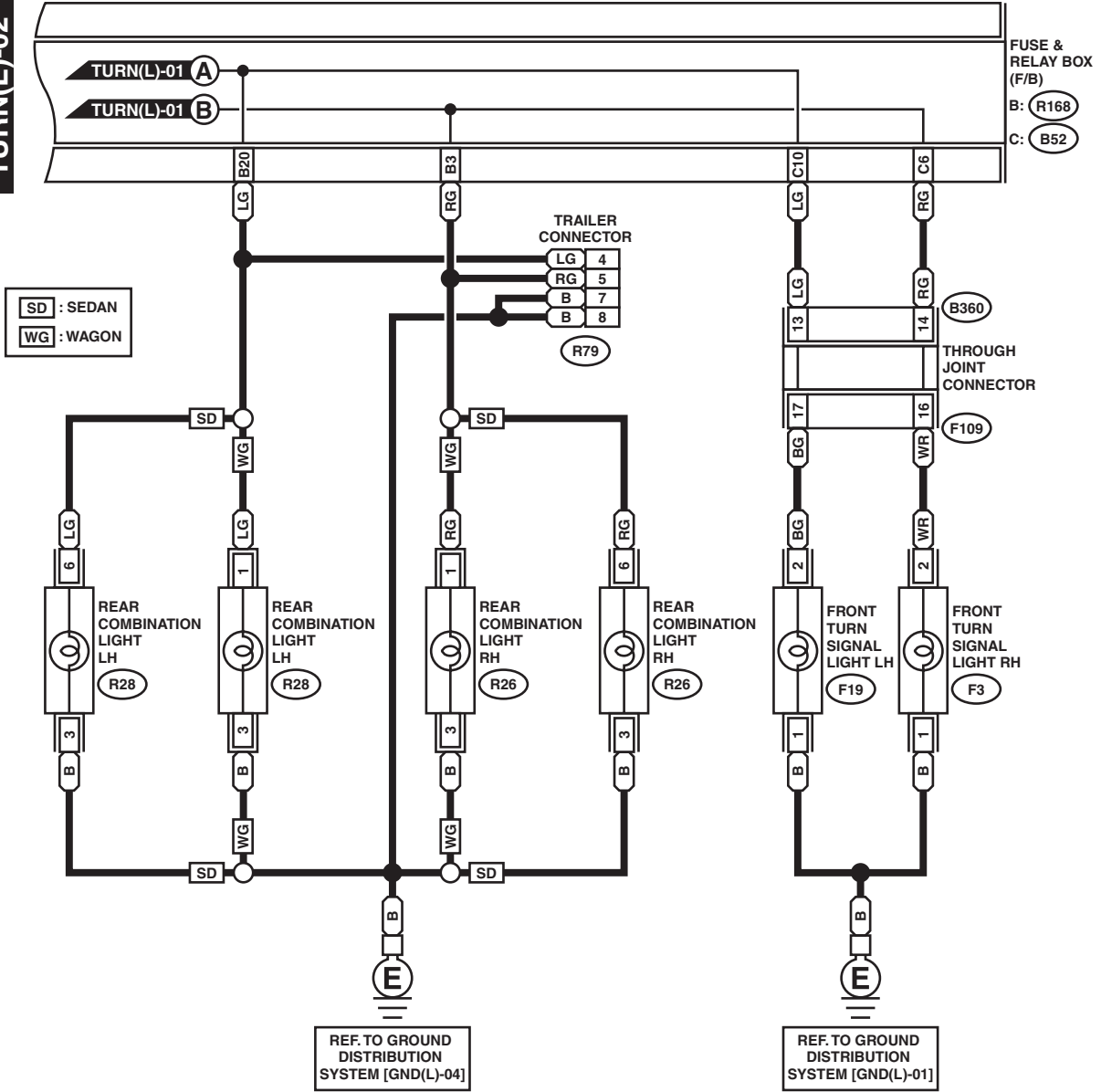
WI-04145

Turn Signal Light and Hazard Light System

WIRING SYSTEM

TURN(L)-02

TURN(L)-02



WI-04146

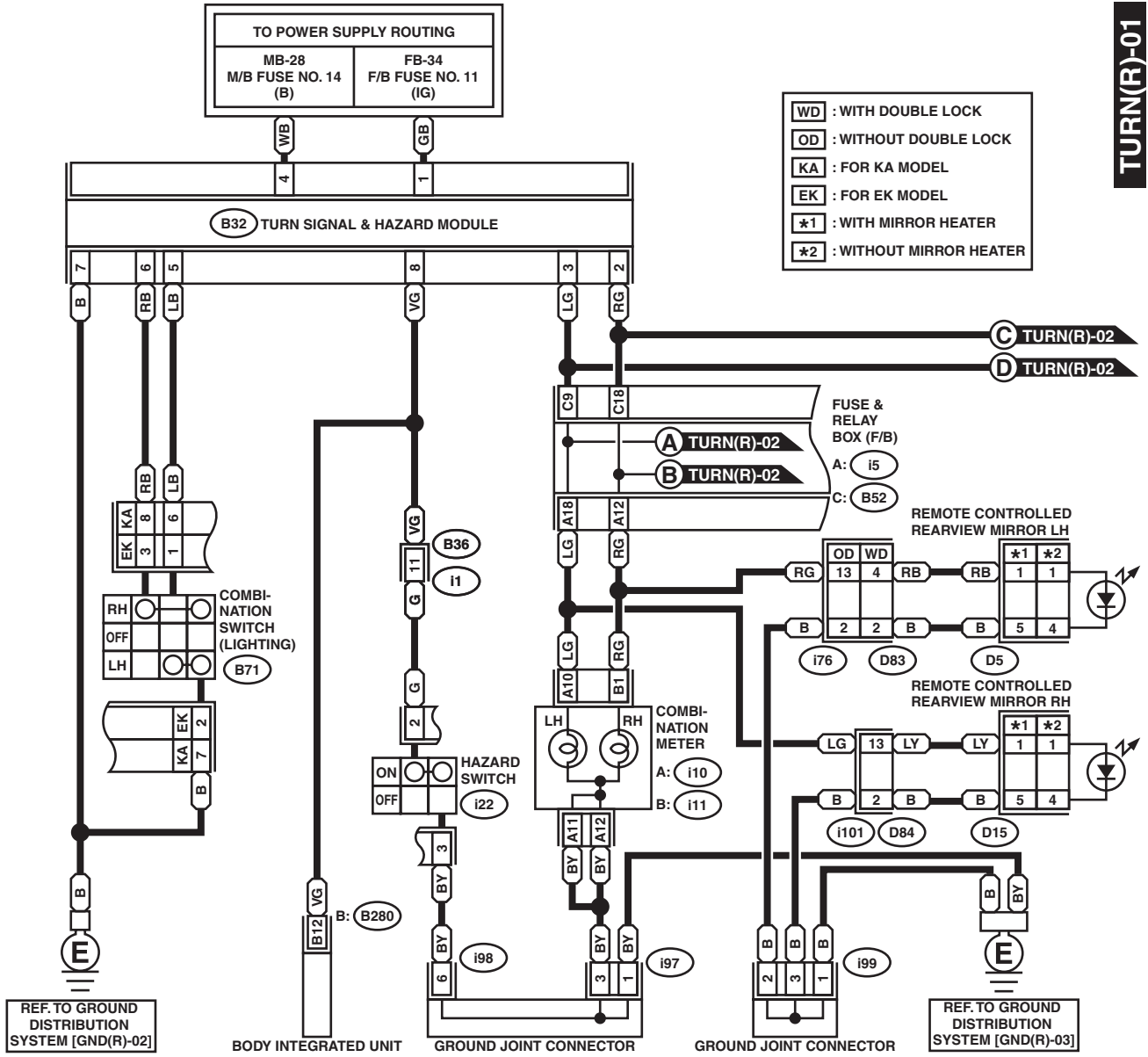
Turn Signal Light and Hazard Light System

WIRING SYSTEM

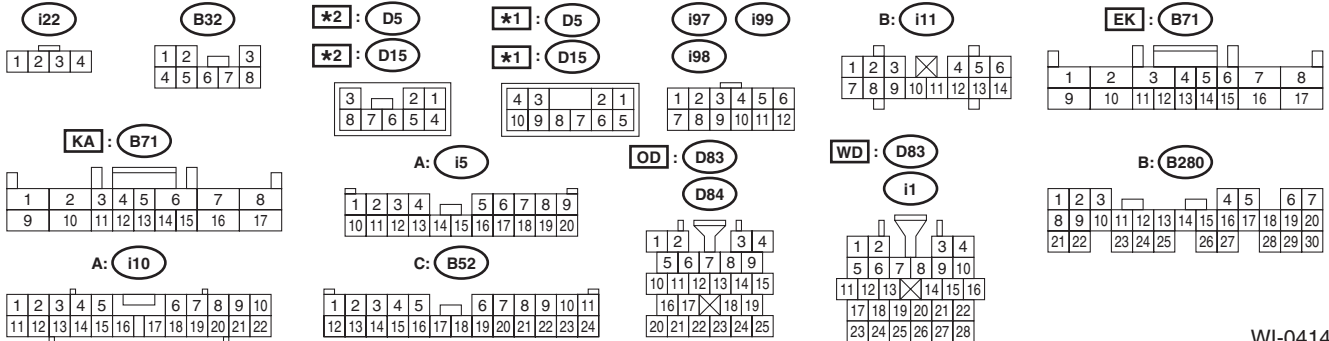
2. RHD MODEL

TURN(R)-01

TURN(R)-01



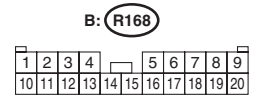
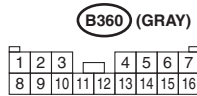
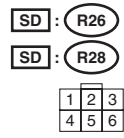
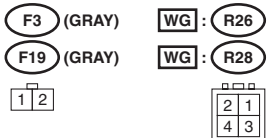
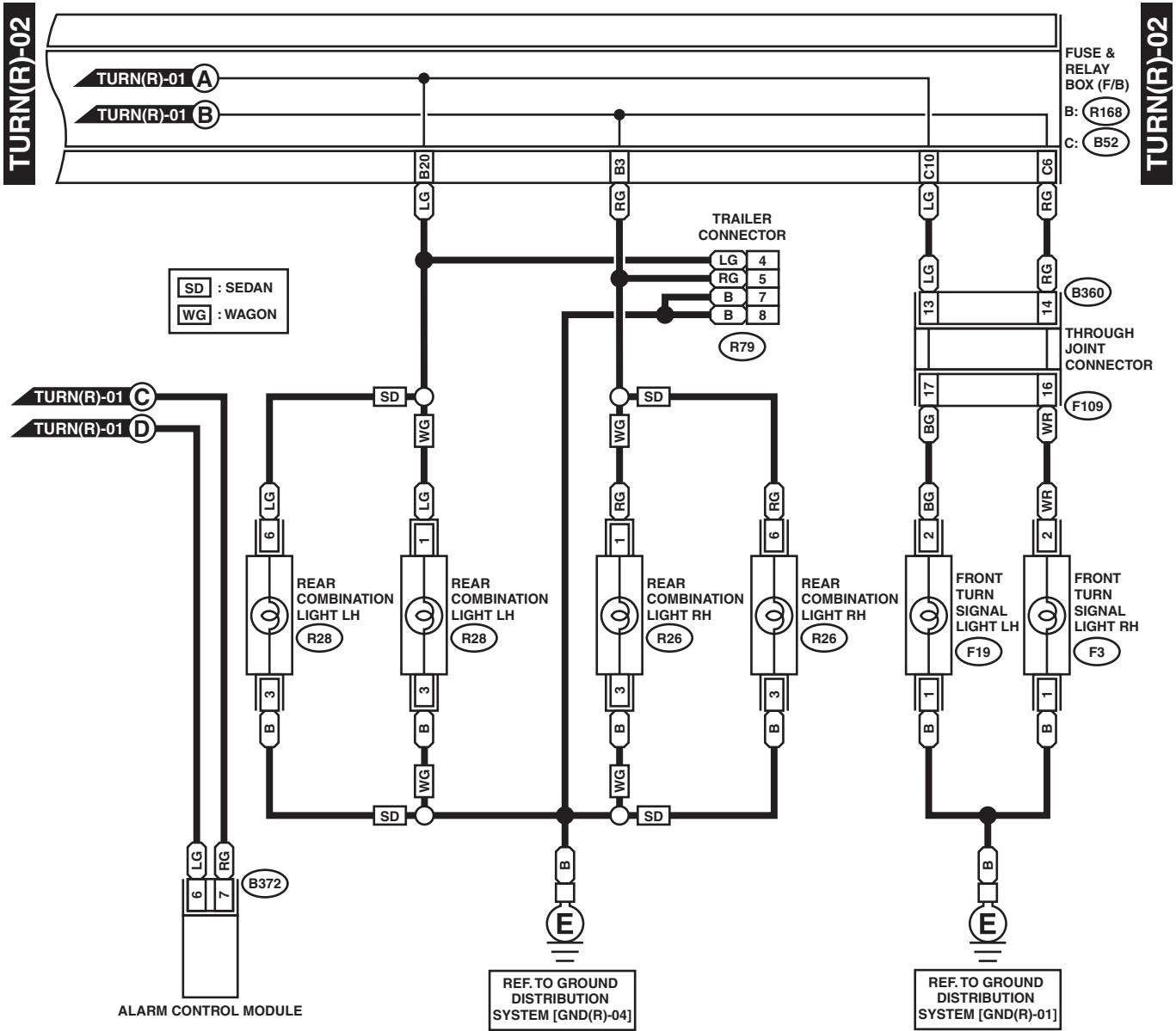
- WD : WITH DOUBLE LOCK
- OD : WITHOUT DOUBLE LOCK
- KA : FOR KA MODEL
- EK : FOR EK MODEL
- *1 : WITH MIRROR HEATER
- *2 : WITHOUT MIRROR HEATER



WI-04147

Turn Signal Light and Hazard Light System

WIRING SYSTEM



WI-04148

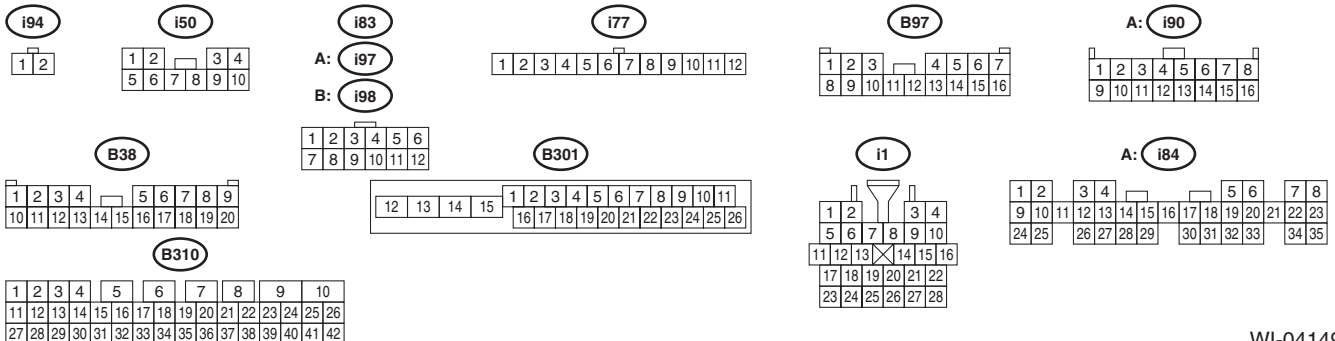
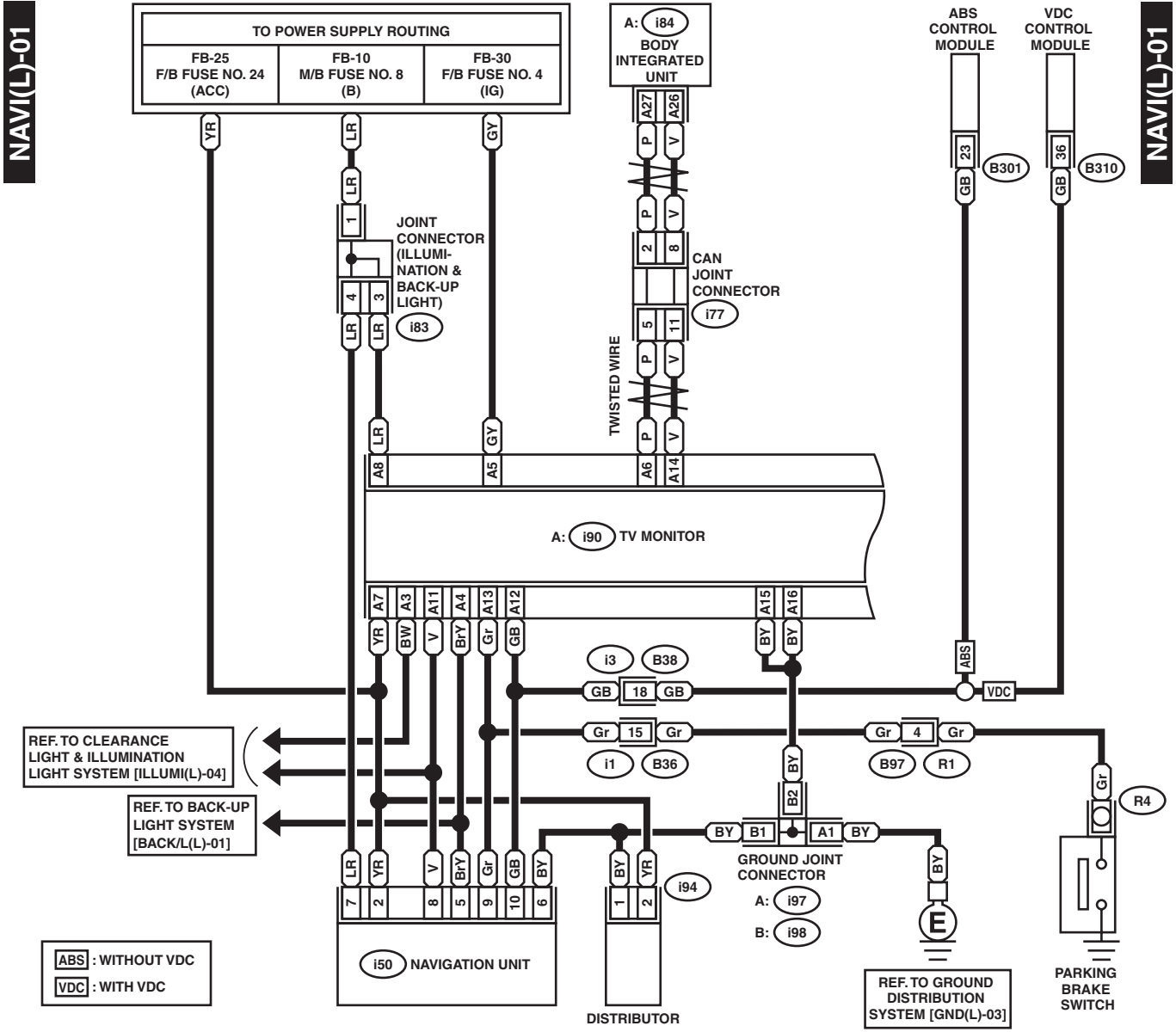
Navigation System

WIRING SYSTEM

32. Navigation System

A: WIRING DIAGRAM

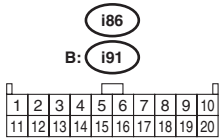
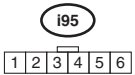
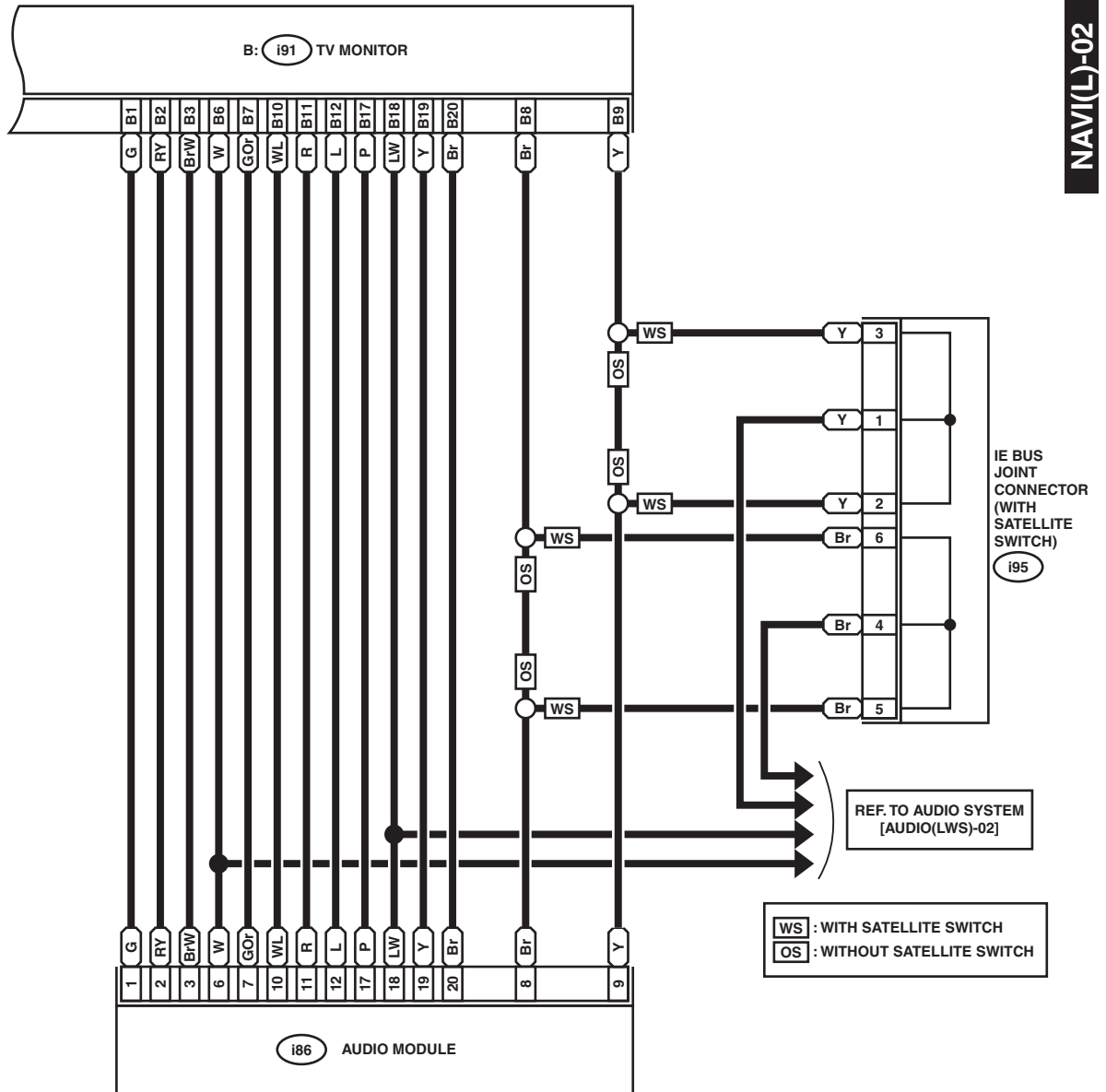
1. LHD MODEL



WI-04149

NAVI(L)-02

NAVI(L)-02



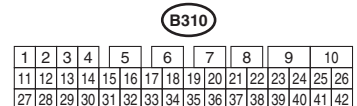
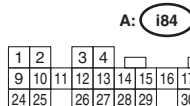
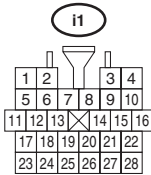
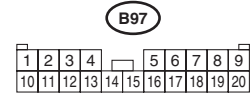
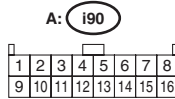
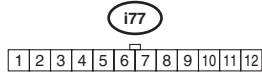
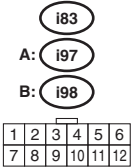
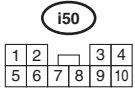
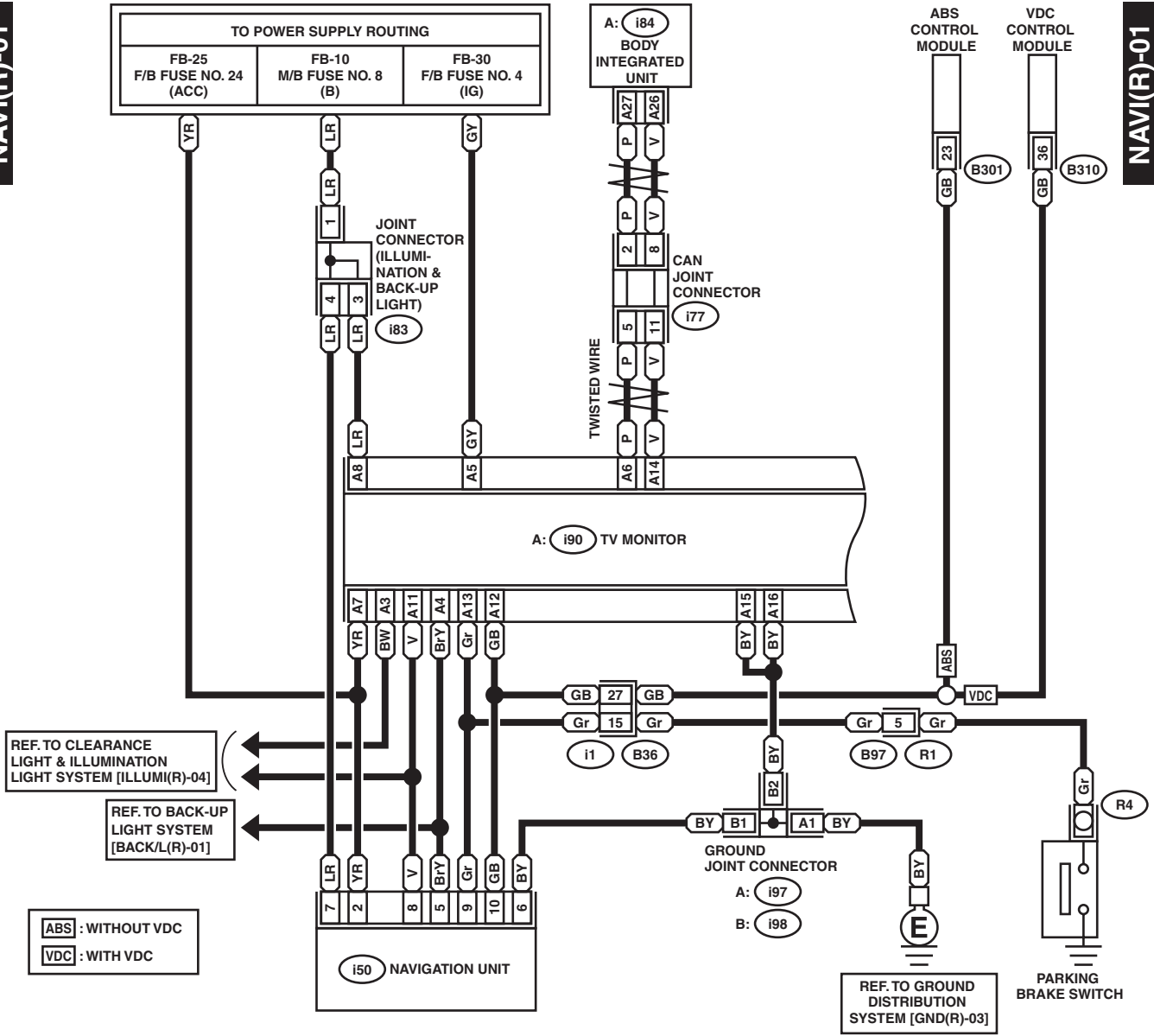
Navigation System

WIRING SYSTEM

2. RHD MODEL

NAVI(R)-01

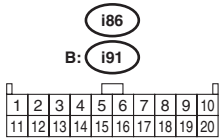
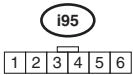
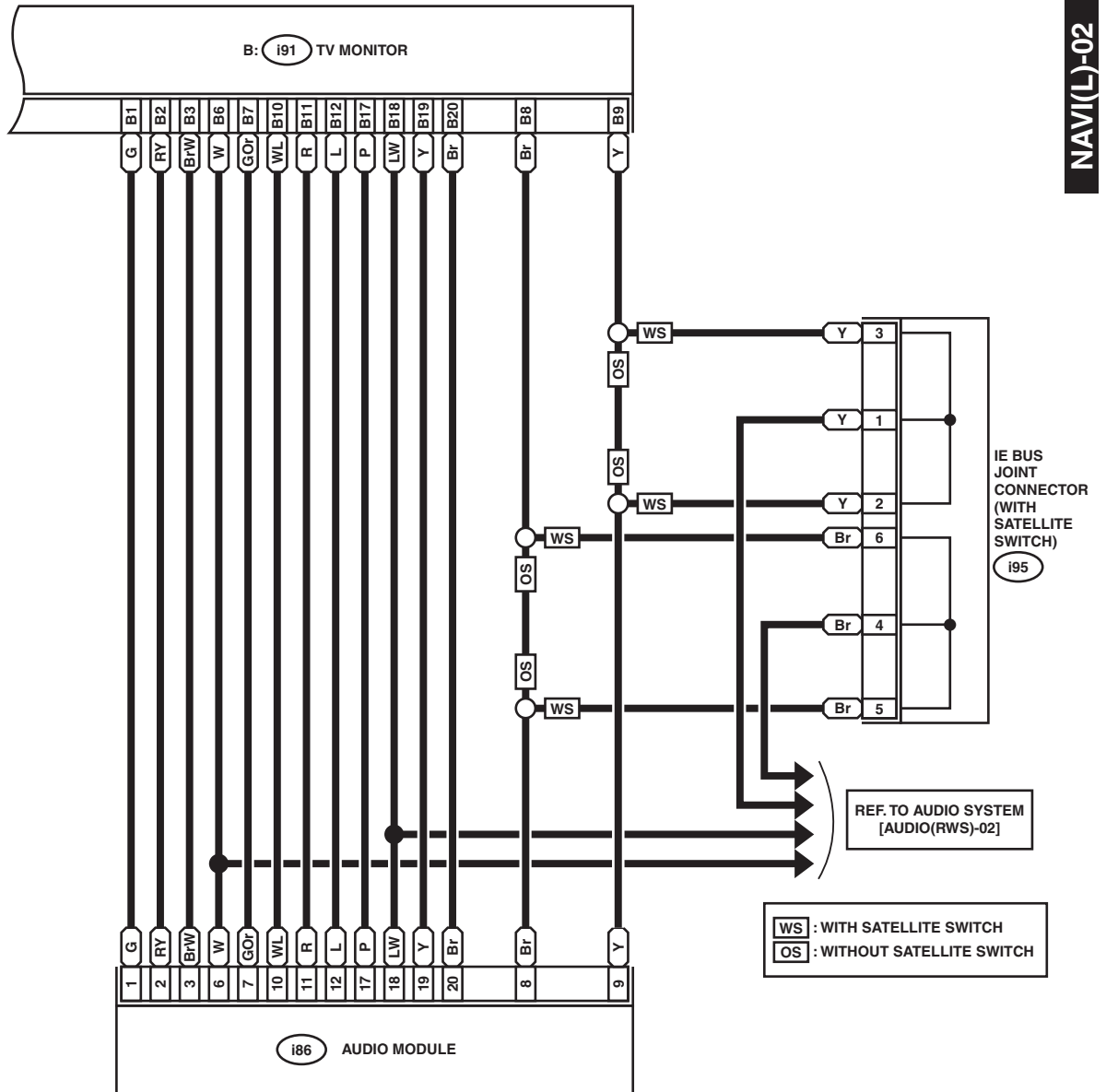
NAVI(R)-01



WI-04151

NAVI(L)-02

NAVI(L)-02



Oil Pressure Warning Light System

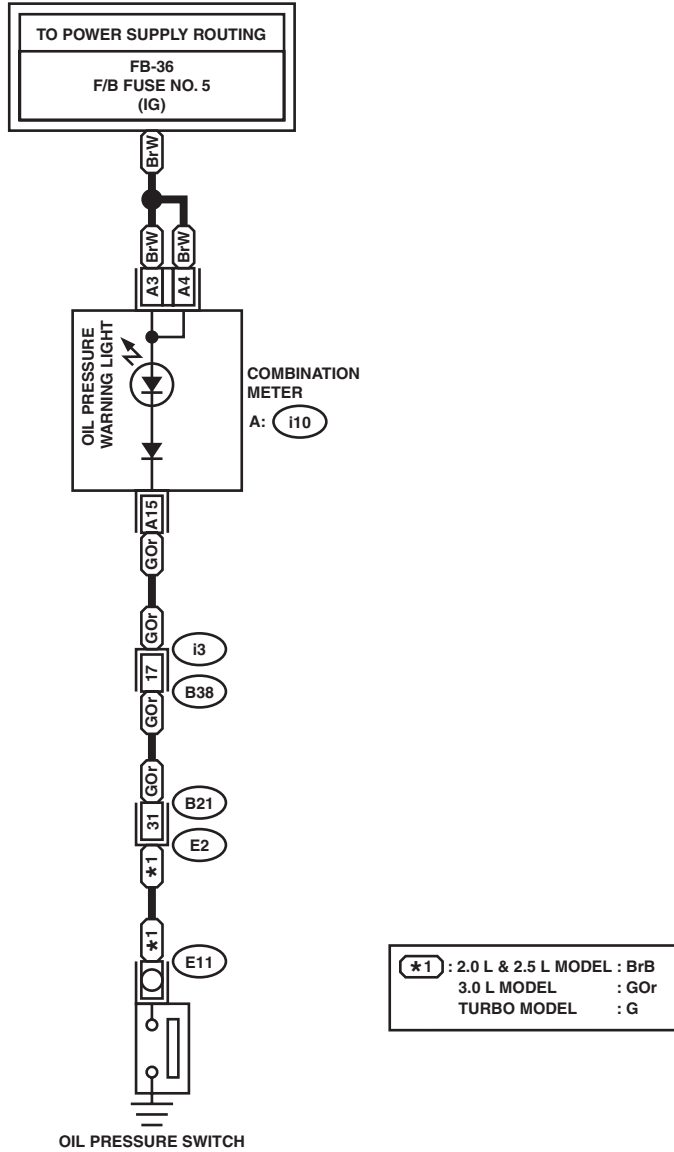
WIRING SYSTEM

33. Oil Pressure Warning Light System

A: WIRING DIAGRAM

OIL/P-01

OIL/P-01



B38

1	2	3	4	5	6	7	8	9		
10	11	12	13	14	15	16	17	18	19	20

A: i10

1	2	3	4	5	6	7	8	9	10		
11	12	13	14	15	16	17	18	19	20	21	22

B21 (BLACK)

1	2	3	4	5	6	7	8	9	10	11
12	13	14	15	16	17	18	19	20	21	22
23	24	25	26	27	28	29	30	31	32	33
34	35	36	37	38	39	40	41			
42	43	44	45	46	47					
48	49	50	51	52	53	54				

WI-04153

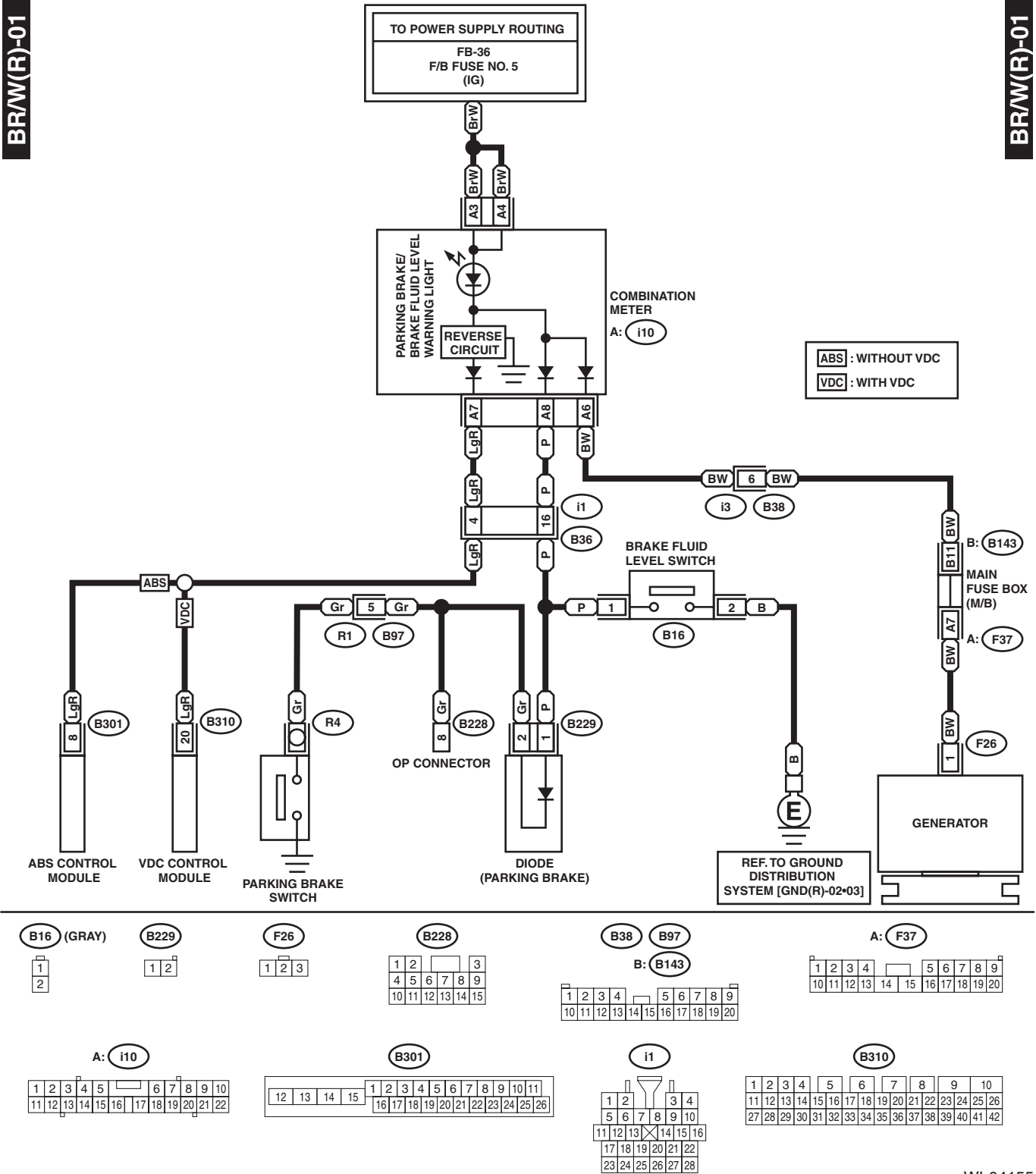
Parking Brake / Brake Fluid Level Warning Light System

WIRING SYSTEM

2. RHD MODEL

BR/W(R)-01

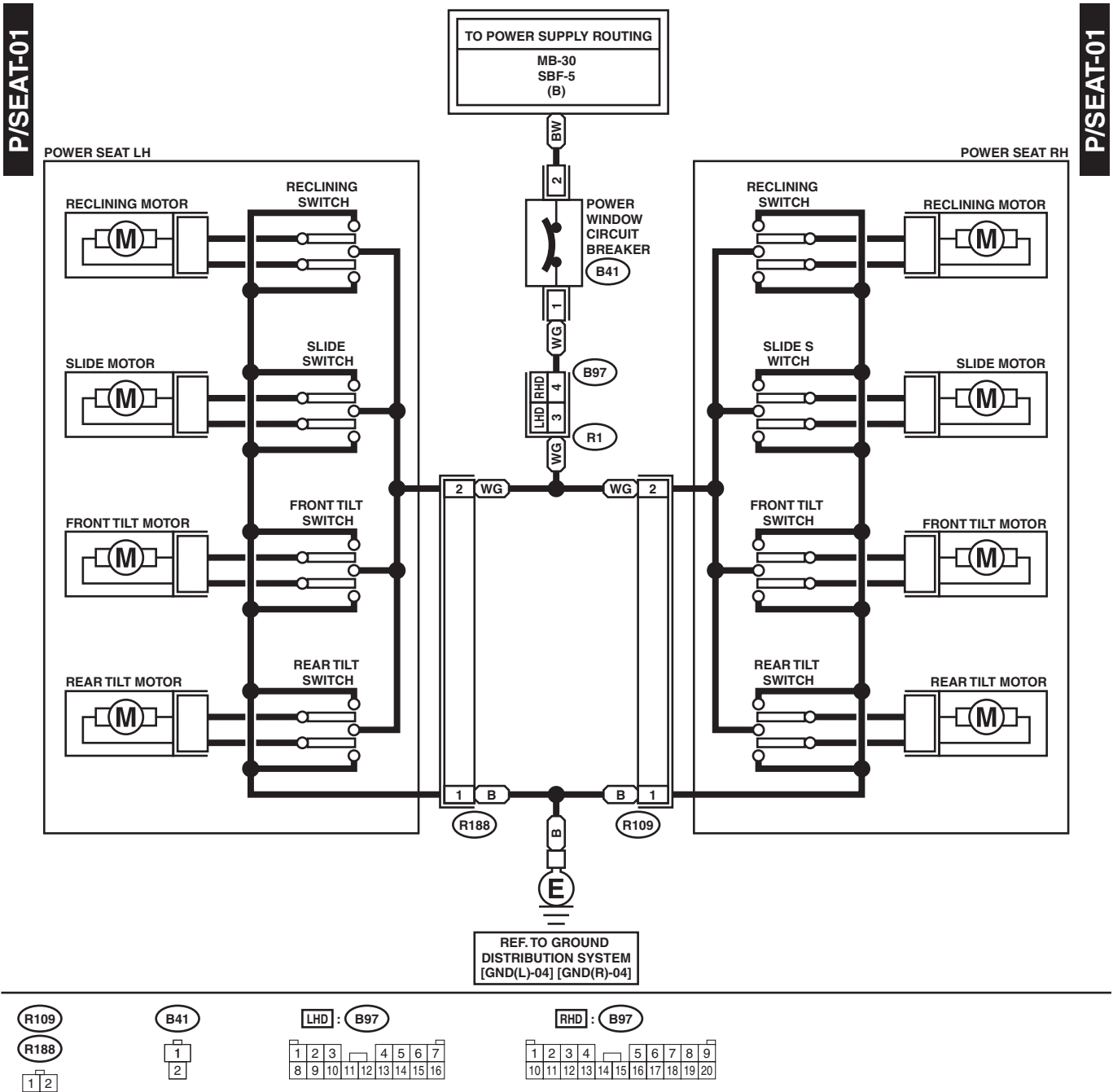
BR/W(R)-01



WI-04155

35. Power Seat System

A: WIRING DIAGRAM



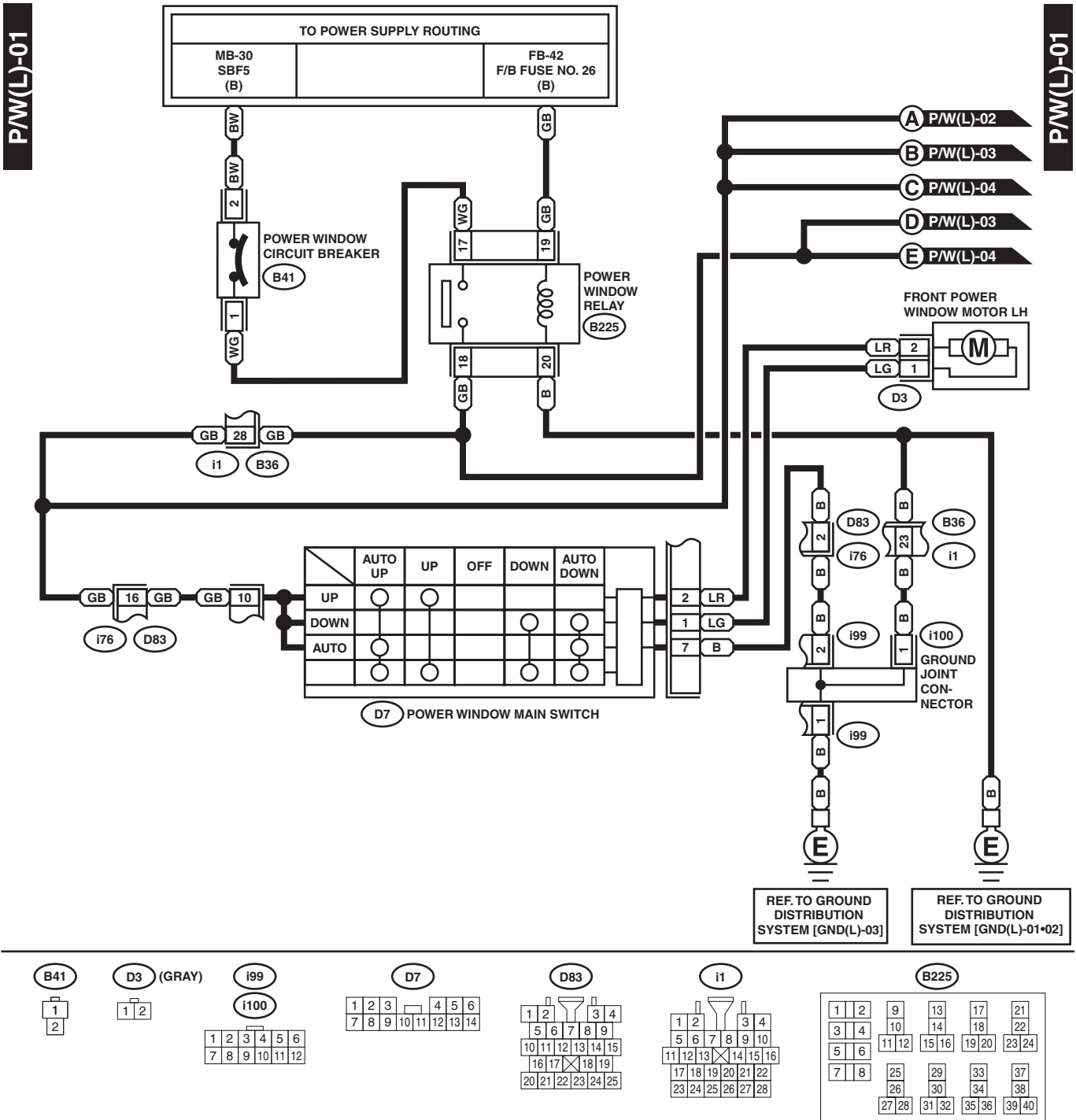
Power Window System

WIRING SYSTEM

36. Power Window System

A: WIRING DIAGRAM

1. LHD MODEL



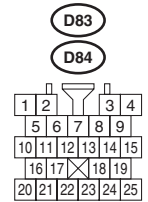
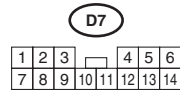
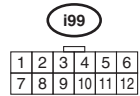
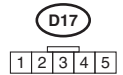
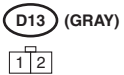
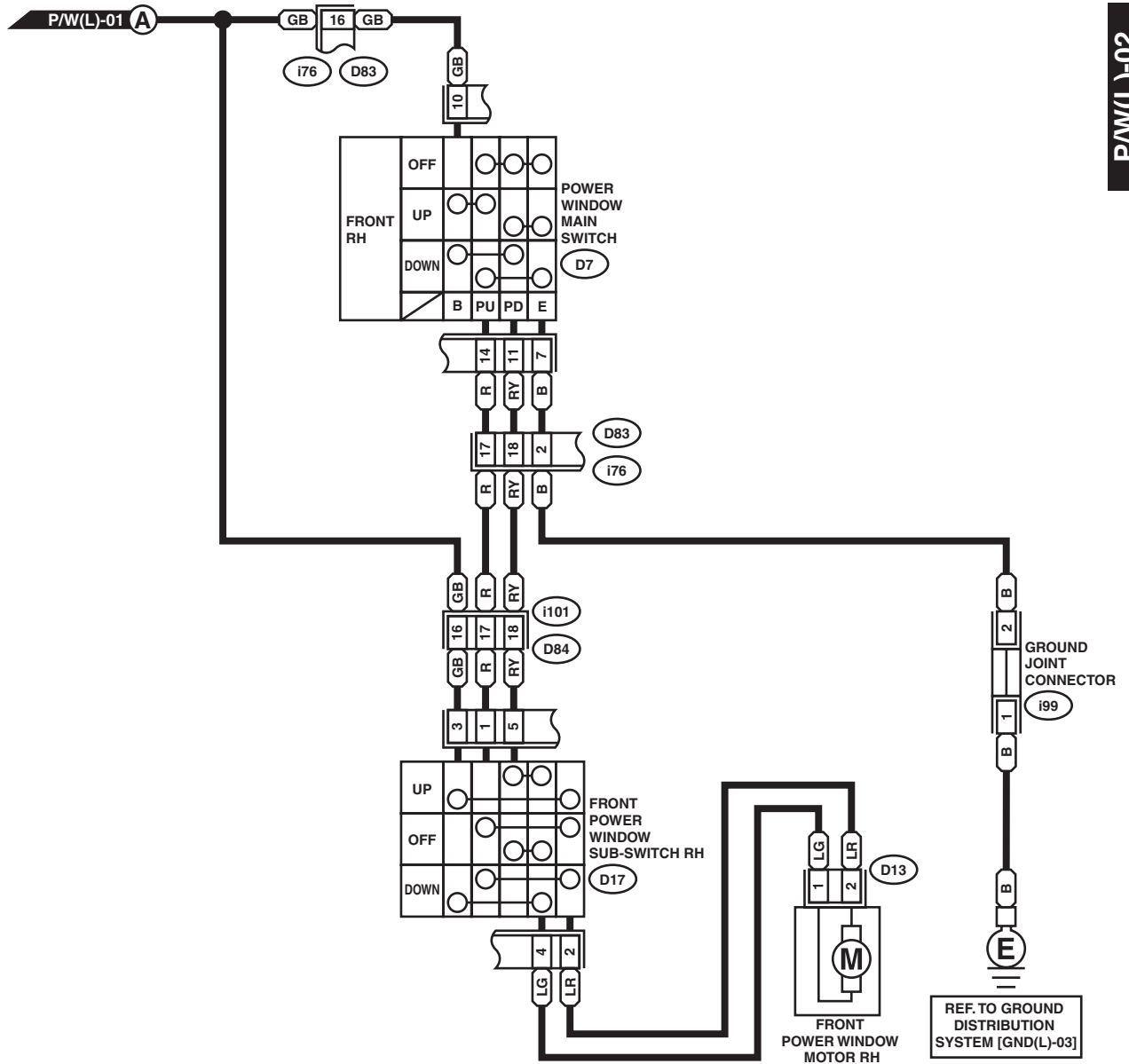
WI-04157

Power Window System

WIRING SYSTEM

P/W(L)-02

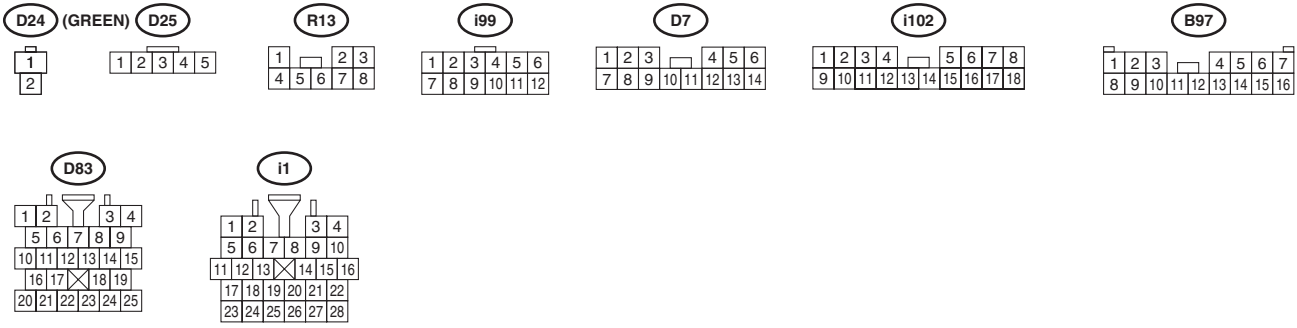
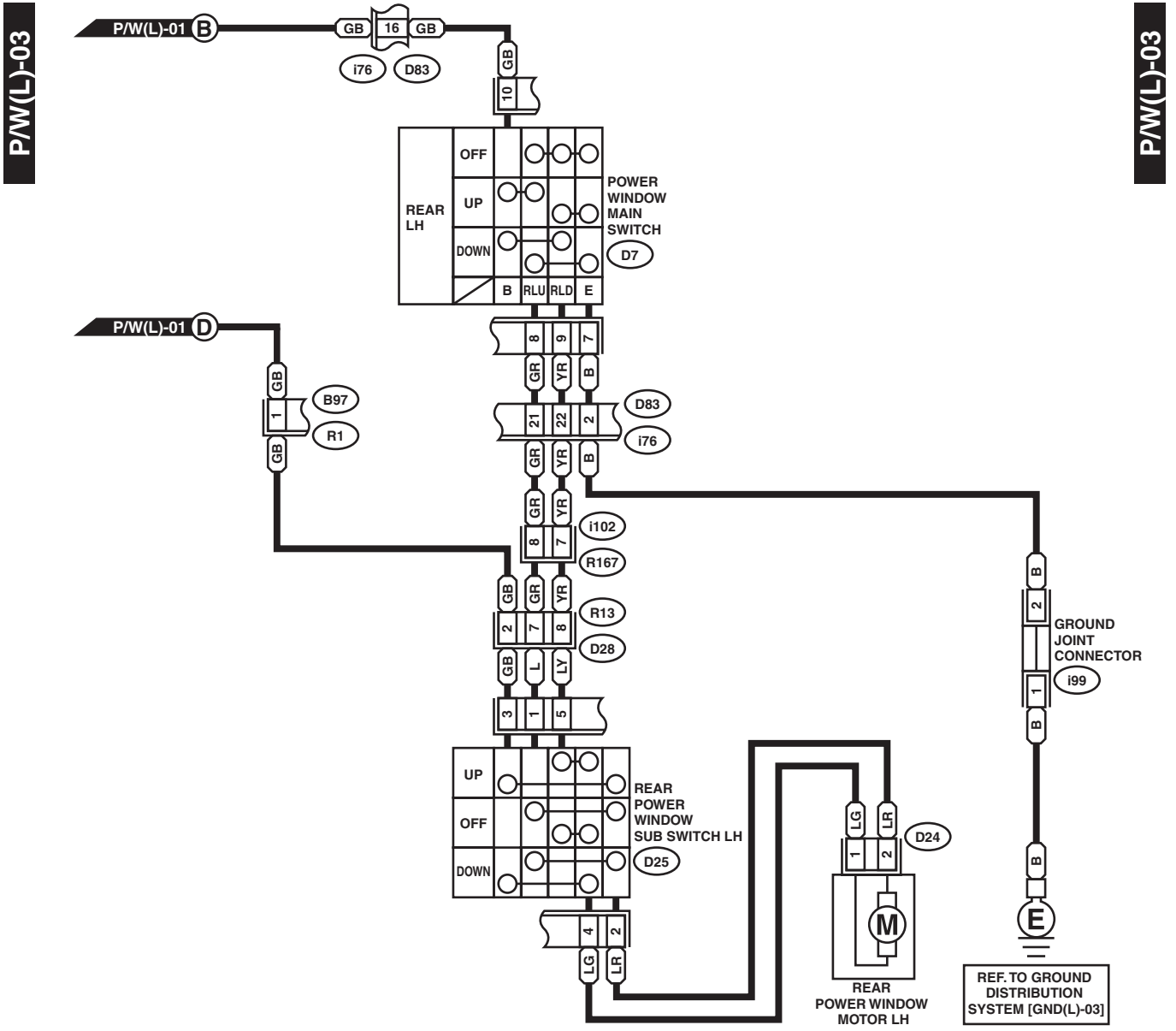
P/W(L)-02



WI-04158

Power Window System

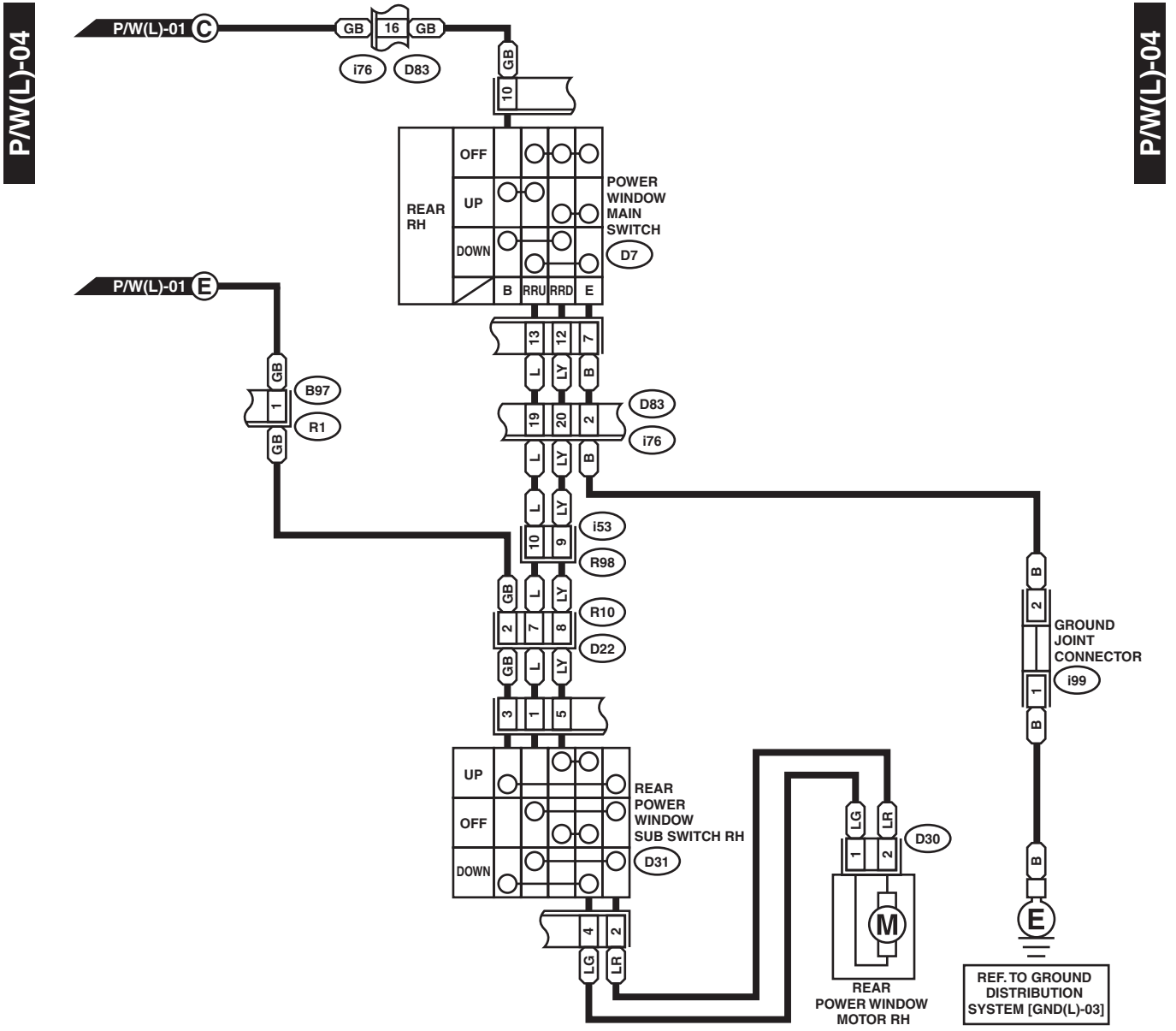
WIRING SYSTEM



WI-04159

Power Window System

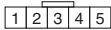
WIRING SYSTEM



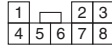
D30 (GREEN)



D31



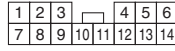
R10



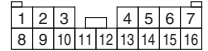
i99



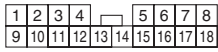
D7



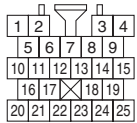
B97



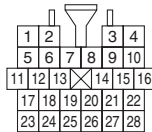
i53



D83



i1

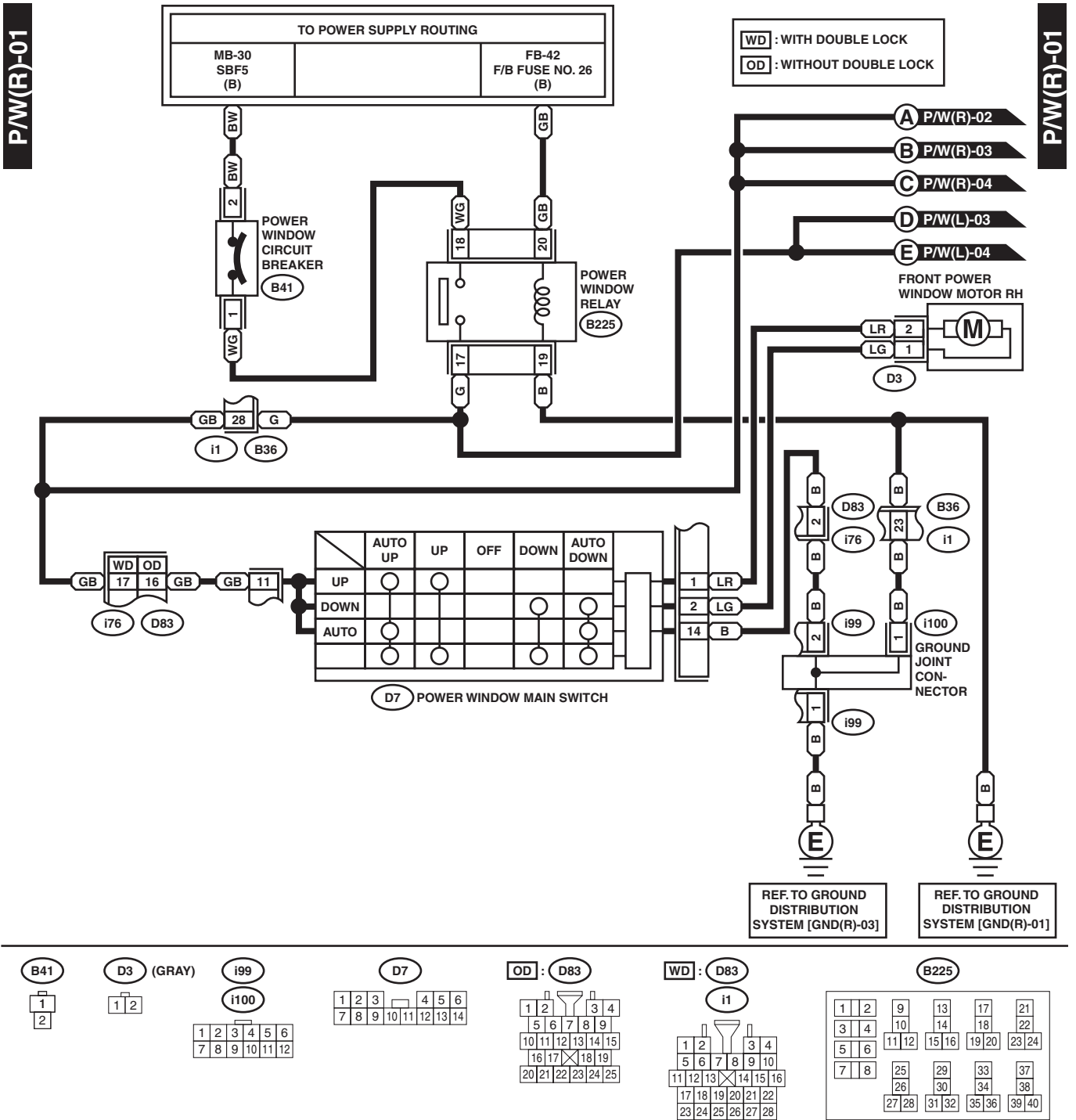


WI-04160

Power Window System

WIRING SYSTEM

2. RHD MODEL



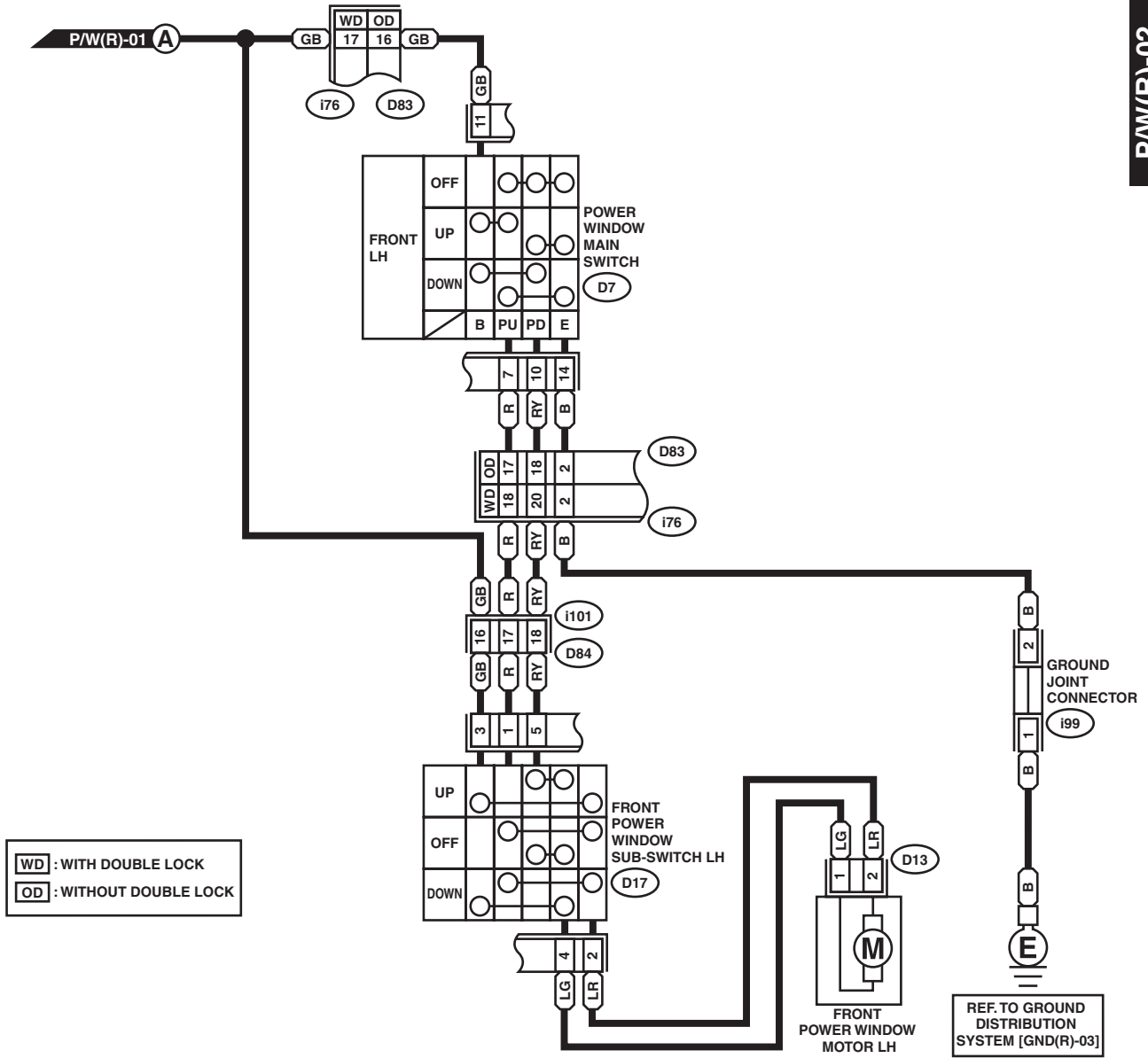
WI-04161

Power Window System

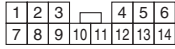
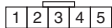
WIRING SYSTEM

P/W(R)-02

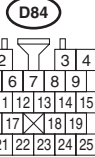
P/W(R)-02



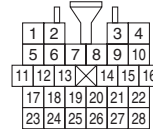
D13 (GRAY) D17



OD : D83



WD : D83



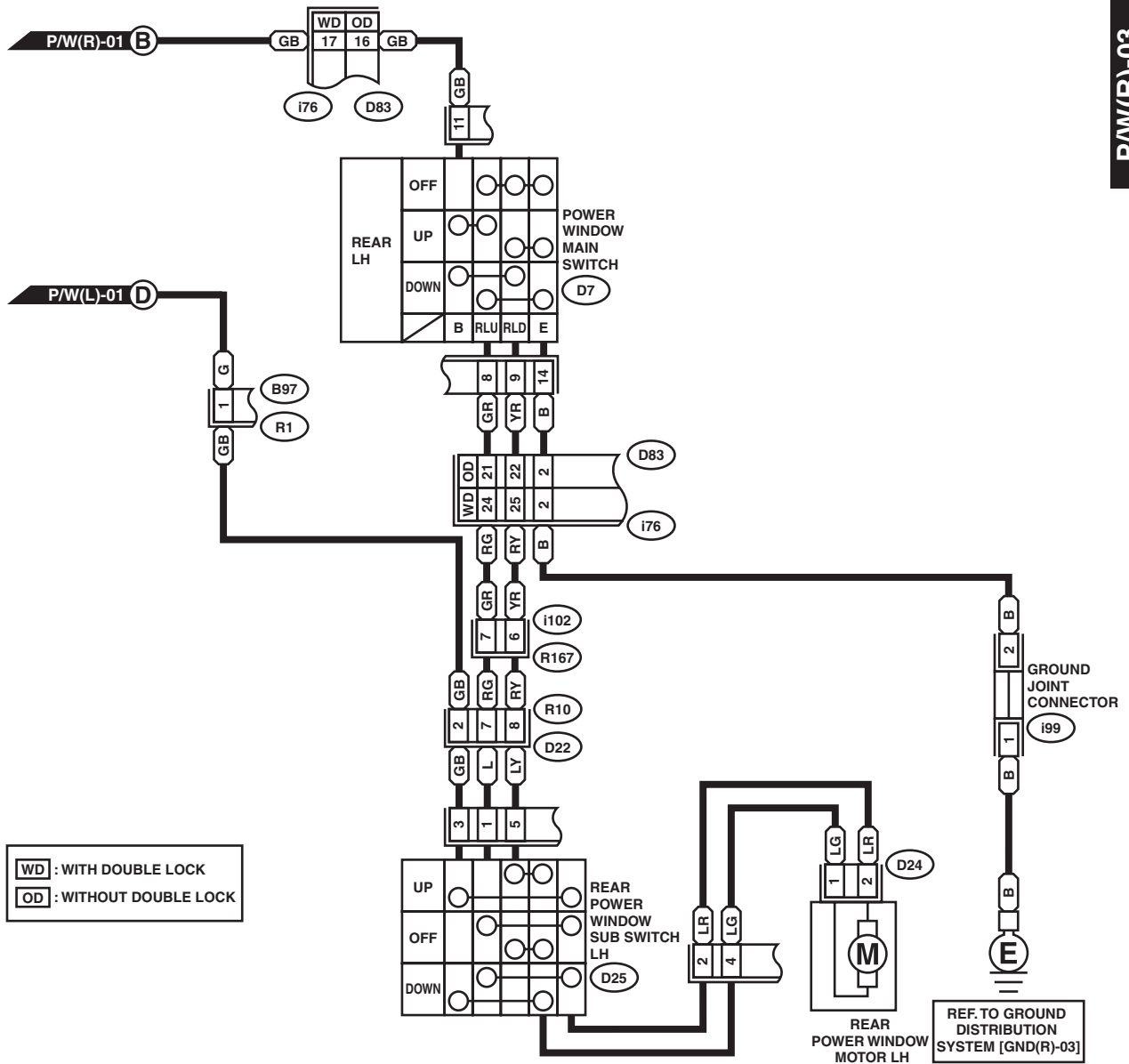
WI-04162

Power Window System

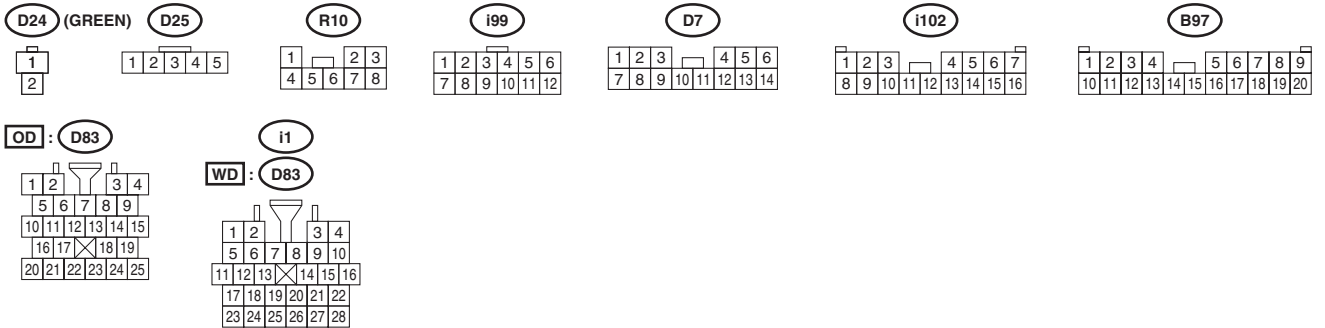
WIRING SYSTEM

P/W(R)-03

P/W(R)-03



WD : WITH DOUBLE LOCK
OD : WITHOUT DOUBLE LOCK



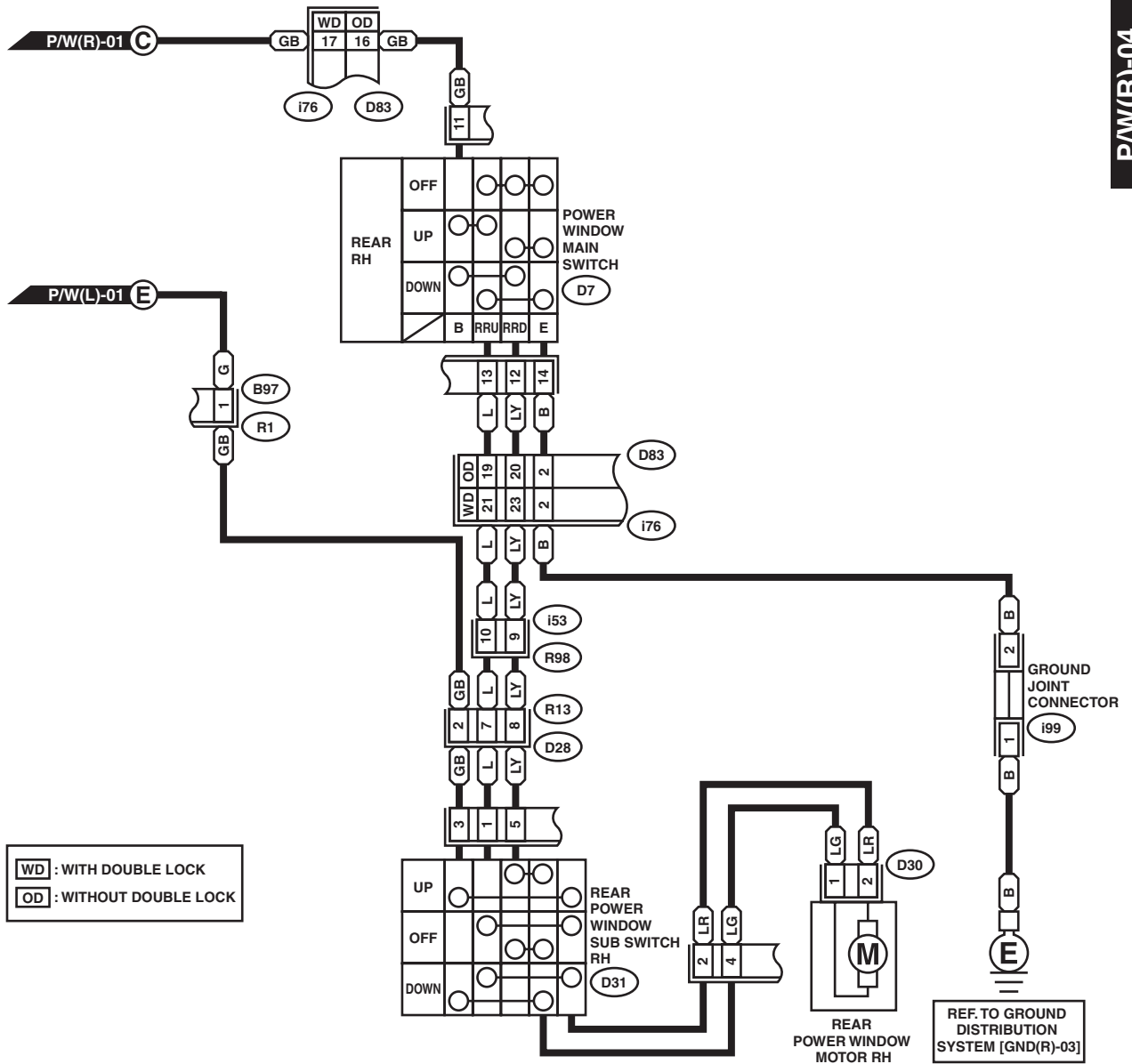
WI-04163

Power Window System

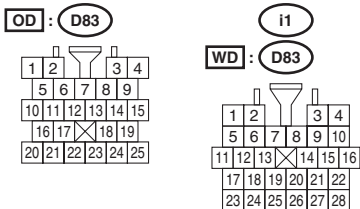
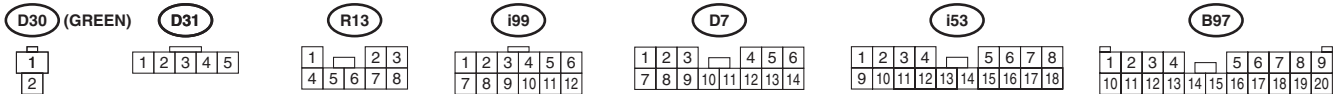
WIRING SYSTEM

P/W(R)-04

P/W(R)-04



WD : WITH DOUBLE LOCK
OD : WITHOUT DOUBLE LOCK



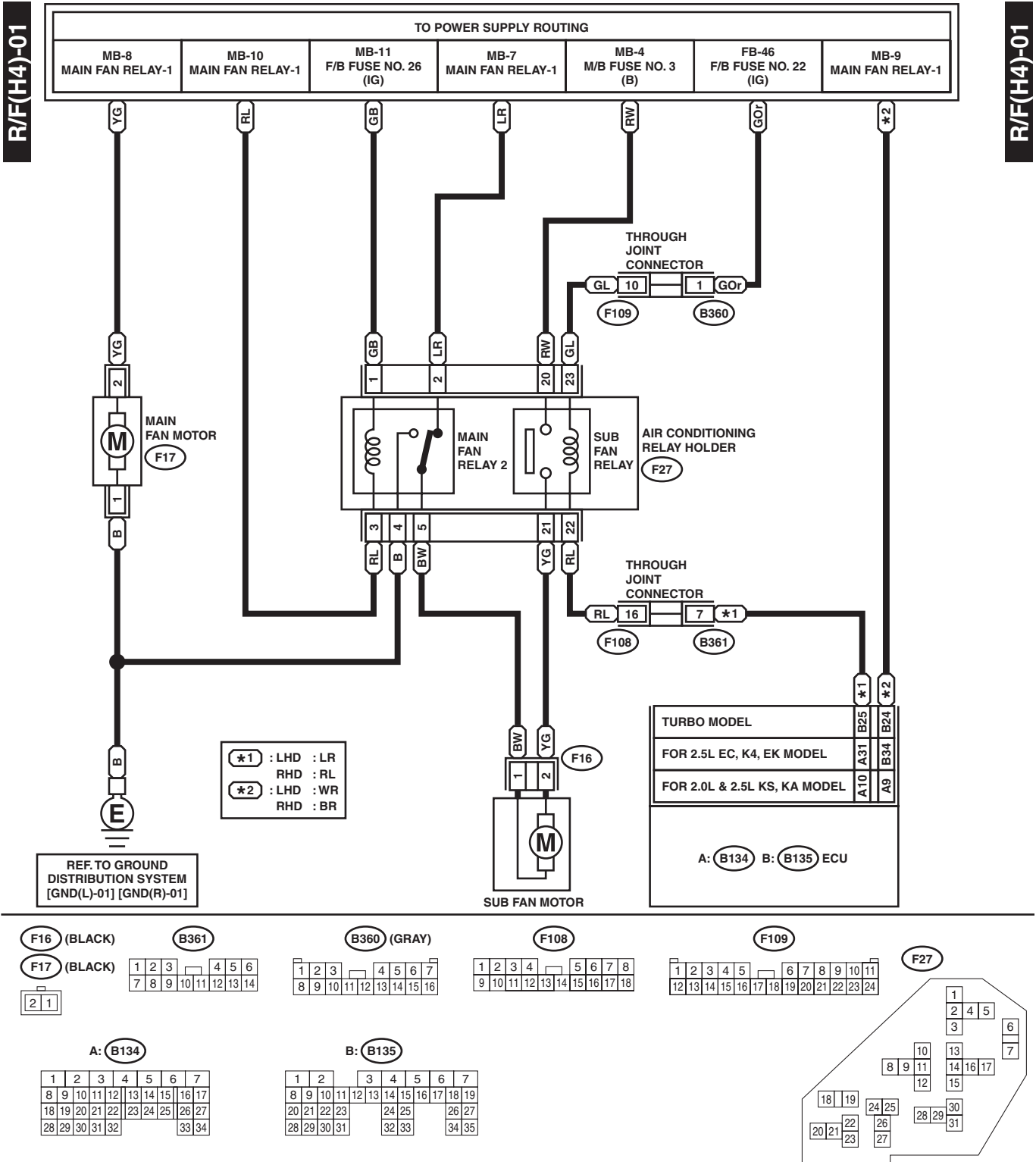
WI-04164

Radiator Fan System

WIRING SYSTEM

37.Radiator Fan System

A: WIRING DIAGRAM



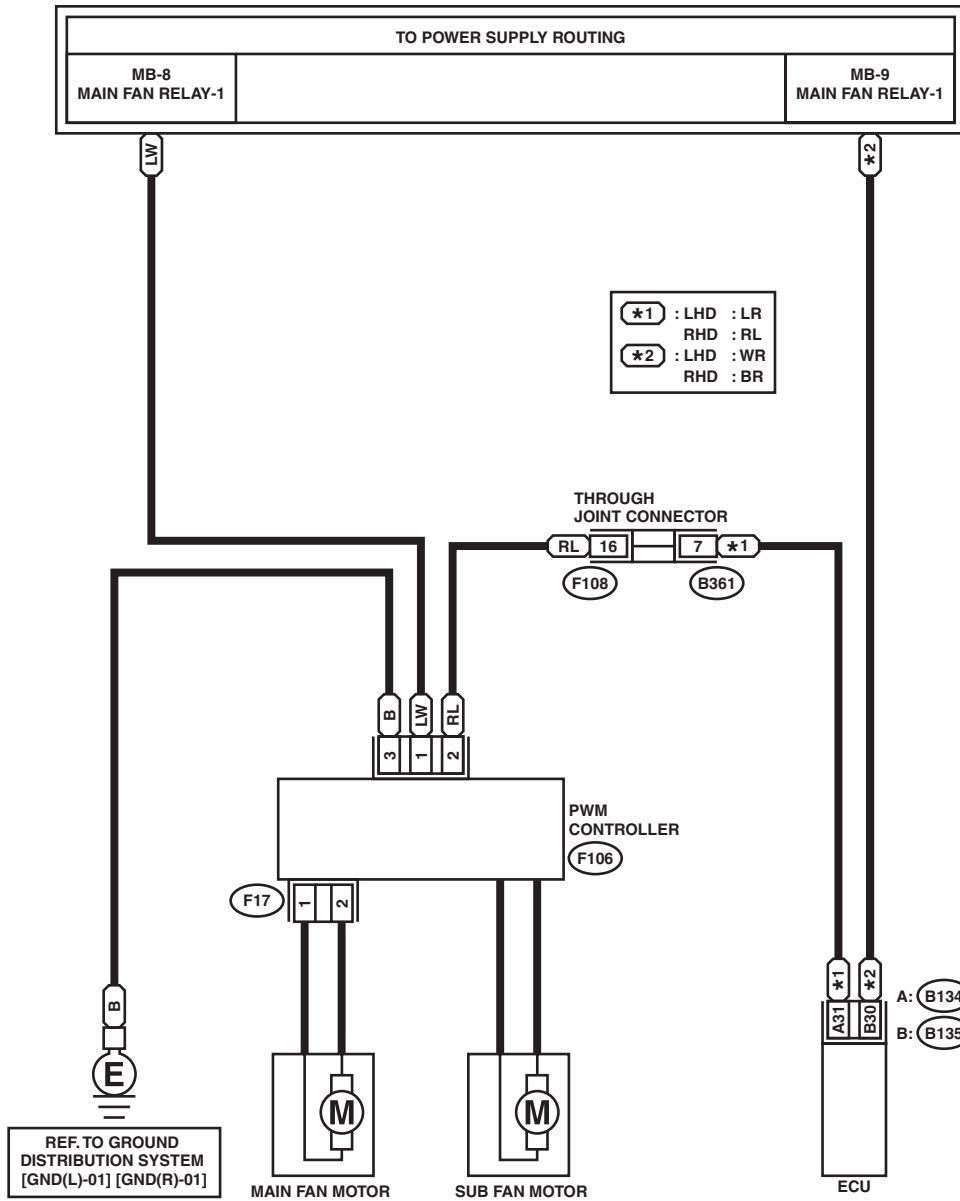
WI-04165

Radiator Fan System

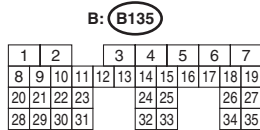
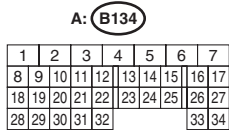
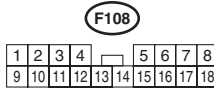
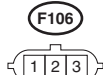
WIRING SYSTEM

R/F(H6)-01

R/F(H6)-01



*1 : LHD : LR
RHD : RL
*2 : LHD : WR
RHD : BR



WI-04166

Rear Window Defogger System

WIRING SYSTEM

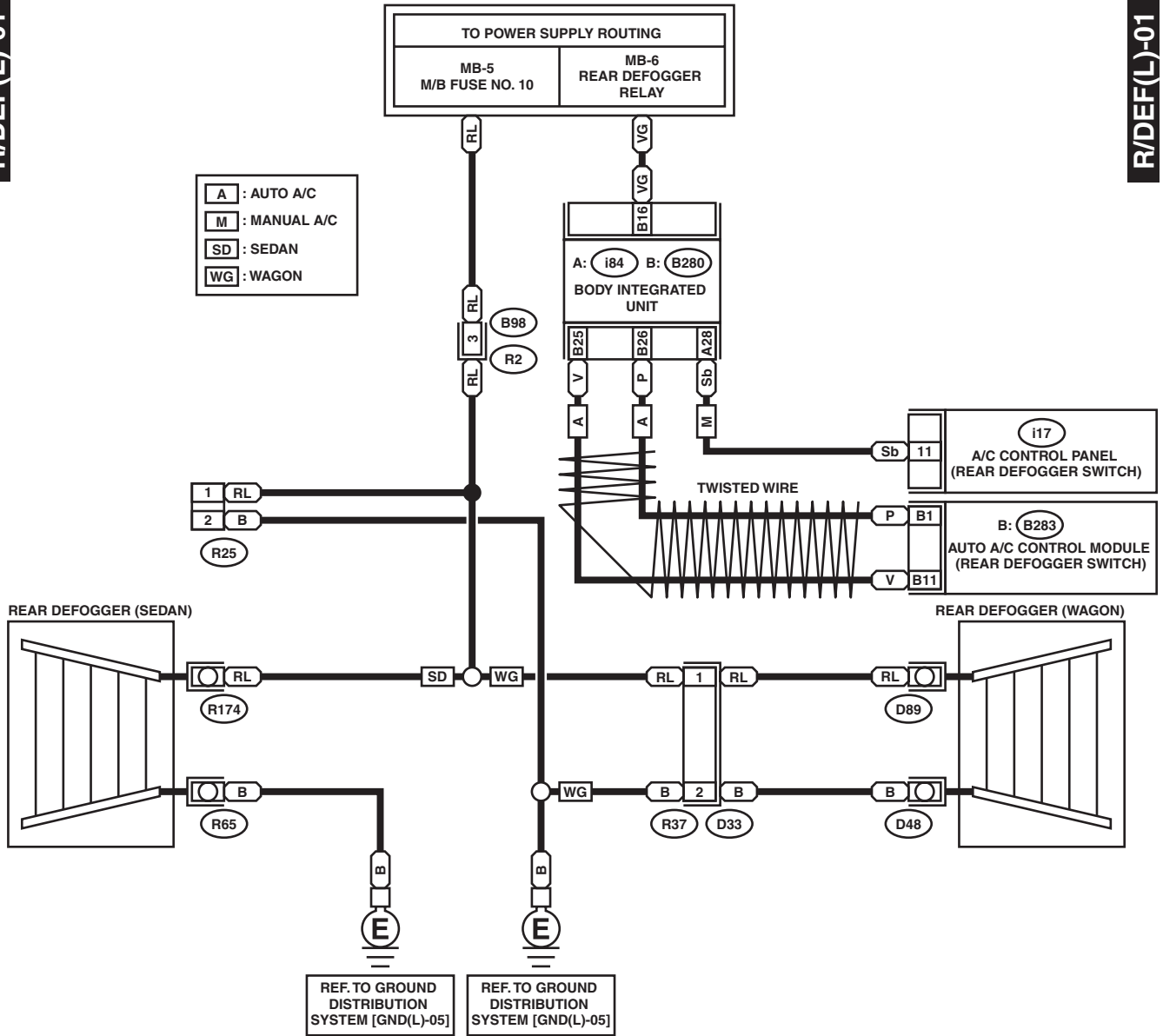
38.Rear Window Defogger System

A: WIRING DIAGRAM

1. LHD MODEL

R/DEF(L)-01

R/DEF(L)-01



WI-04167

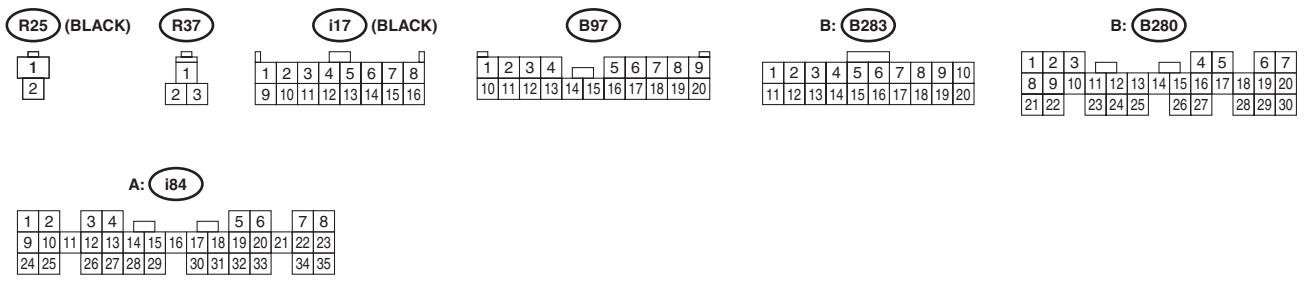
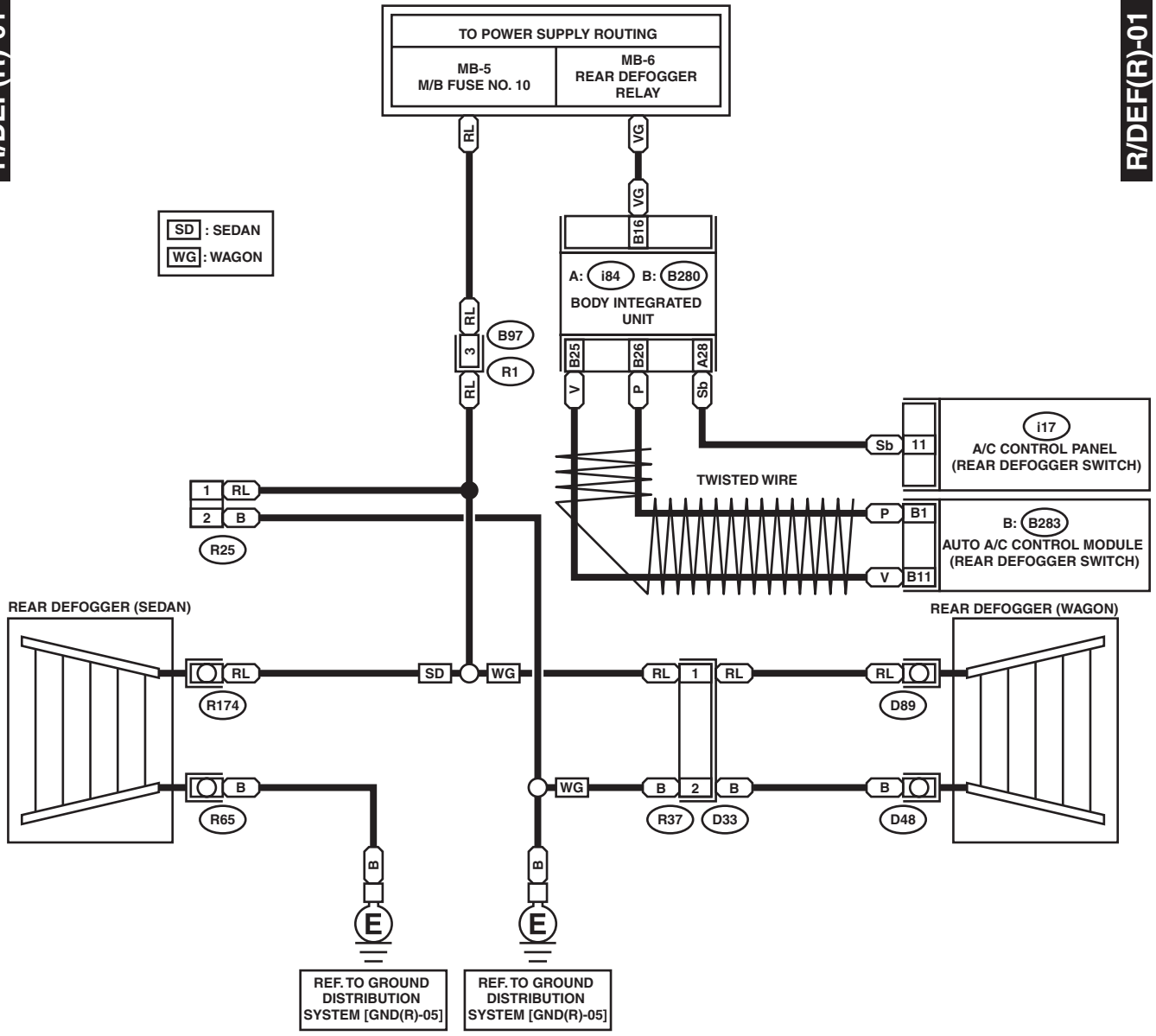
Rear Window Defogger System

WIRING SYSTEM

2. RHD MODEL

R/DEF(R)-01

R/DEF(R)-01



WI-04168

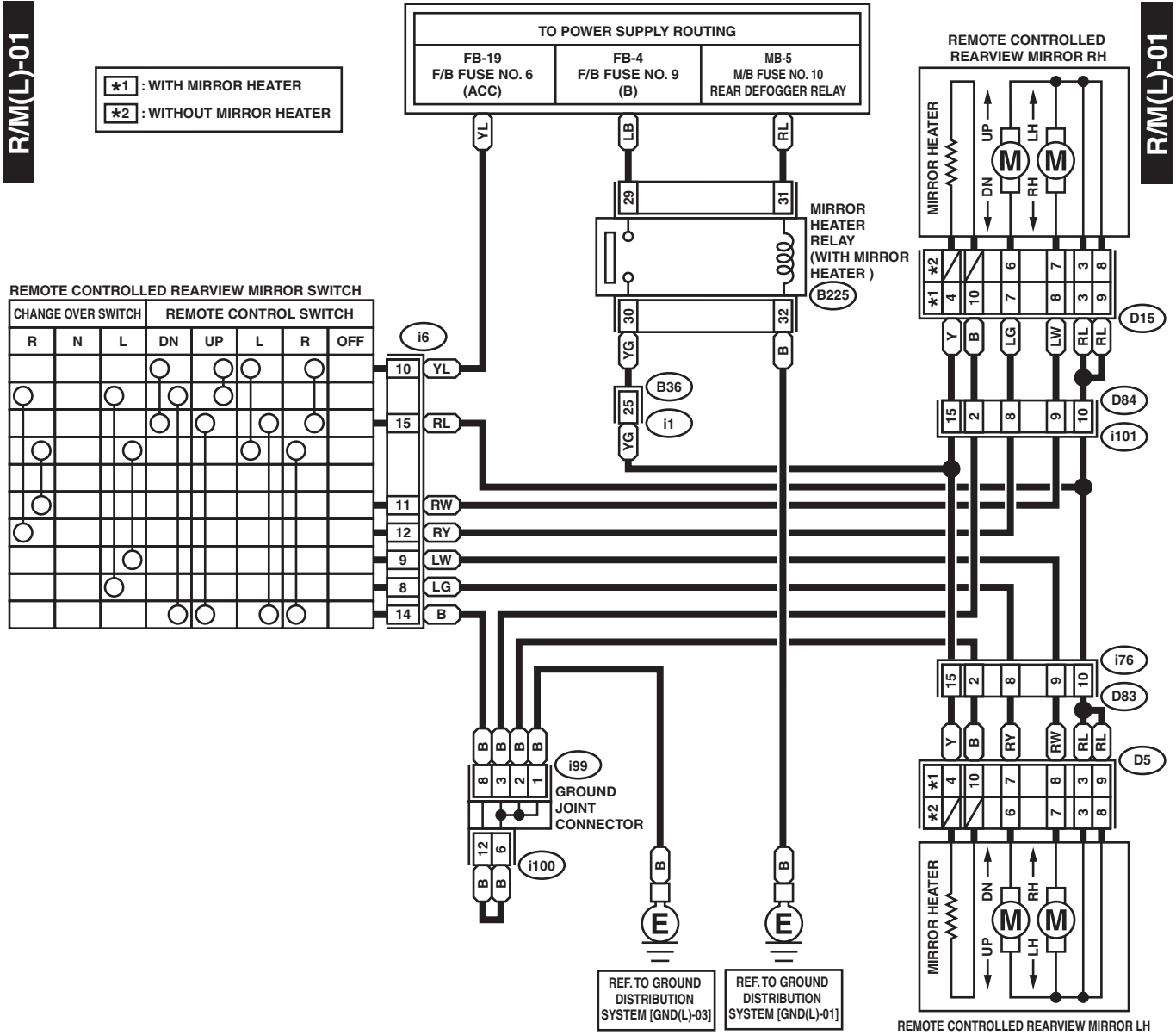
Remote Control Mirror System

WIRING SYSTEM

39. Remote Control Mirror System

A: WIRING DIAGRAM

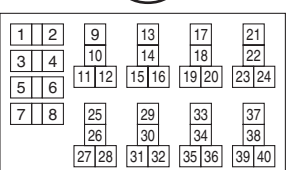
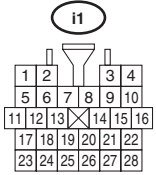
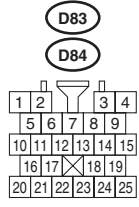
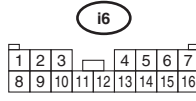
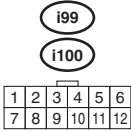
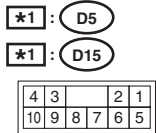
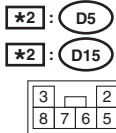
1. LHD MODEL



★1 : WITH MIRROR HEATER
★2 : WITHOUT MIRROR HEATER

REMOTE CONTROLLED REARVIEW MIRROR SWITCH

CHANGE OVER SWITCH			REMOTE CONTROL SWITCH				
R	N	L	DN	UP	L	R	OFF
○			○	○	○	○	
	○		○	○	○	○	
		○	○	○	○	○	
			○	○	○	○	
			○	○	○	○	
			○	○	○	○	



WI-04169

Remote Control Mirror System

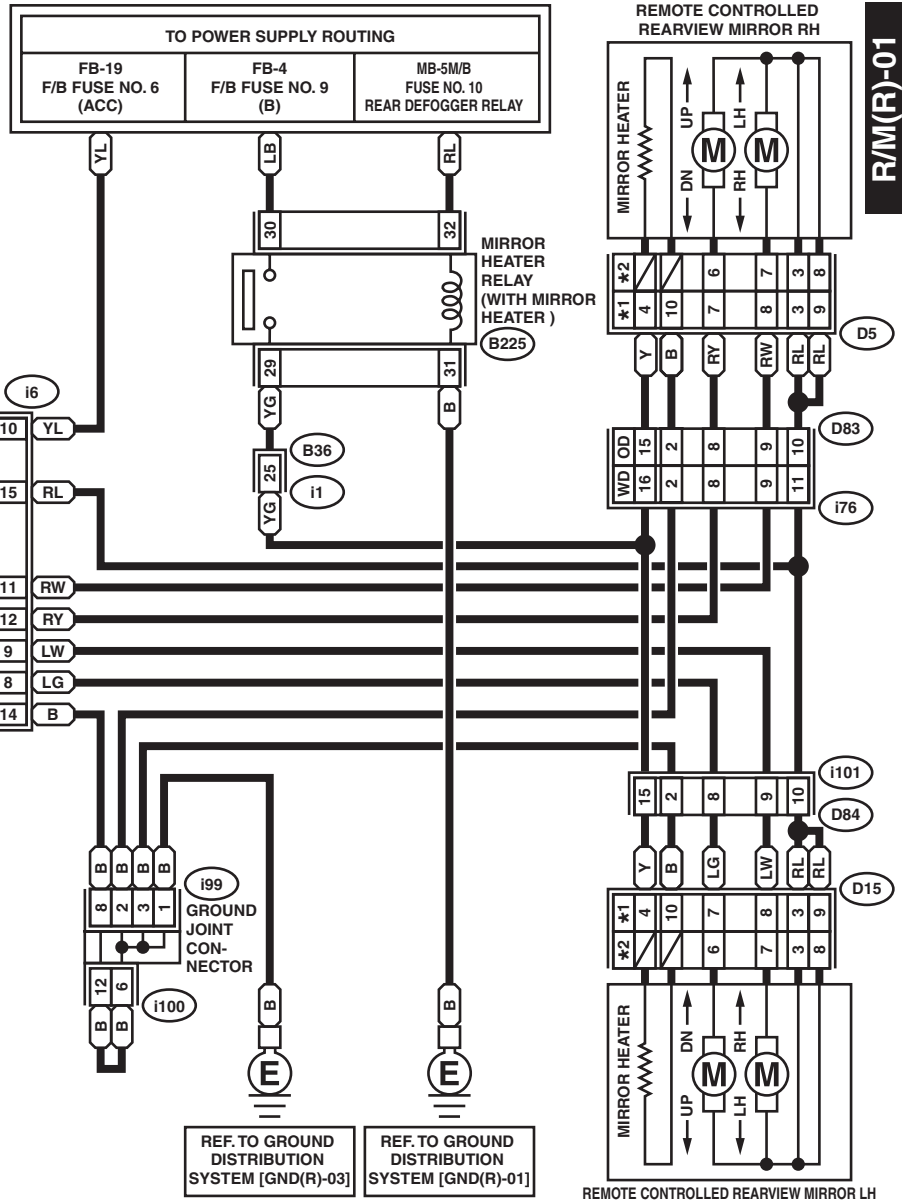
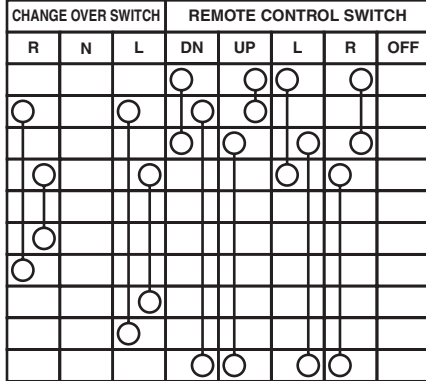
WIRING SYSTEM

2. RHD MODEL

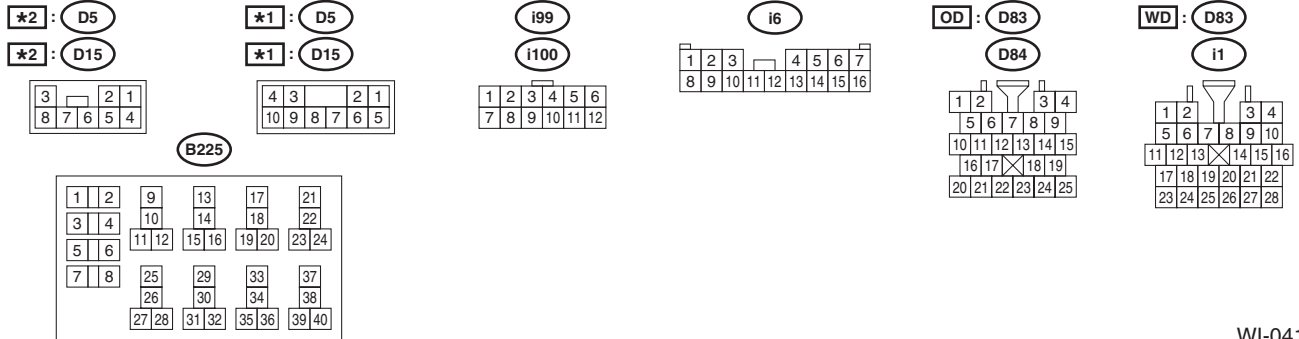
R/M(R)-01

- *1 : WITH MIRROR HEATER
- *2 : WITHOUT MIRROR HEATER
- WD : WITH DOUBLE LOCK
- OD : WITHOUT DOUBLE LOCK

REMOTE CONTROLLED REARVIEW MIRROR SWITCH



R/M(R)-01



WI-04170

Seat Belt Warning System

WIRING SYSTEM

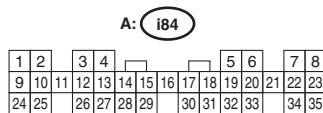
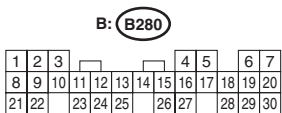
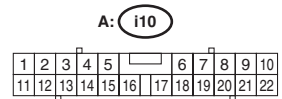
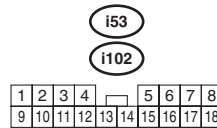
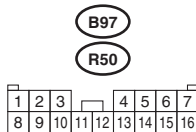
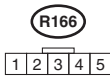
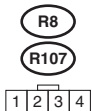
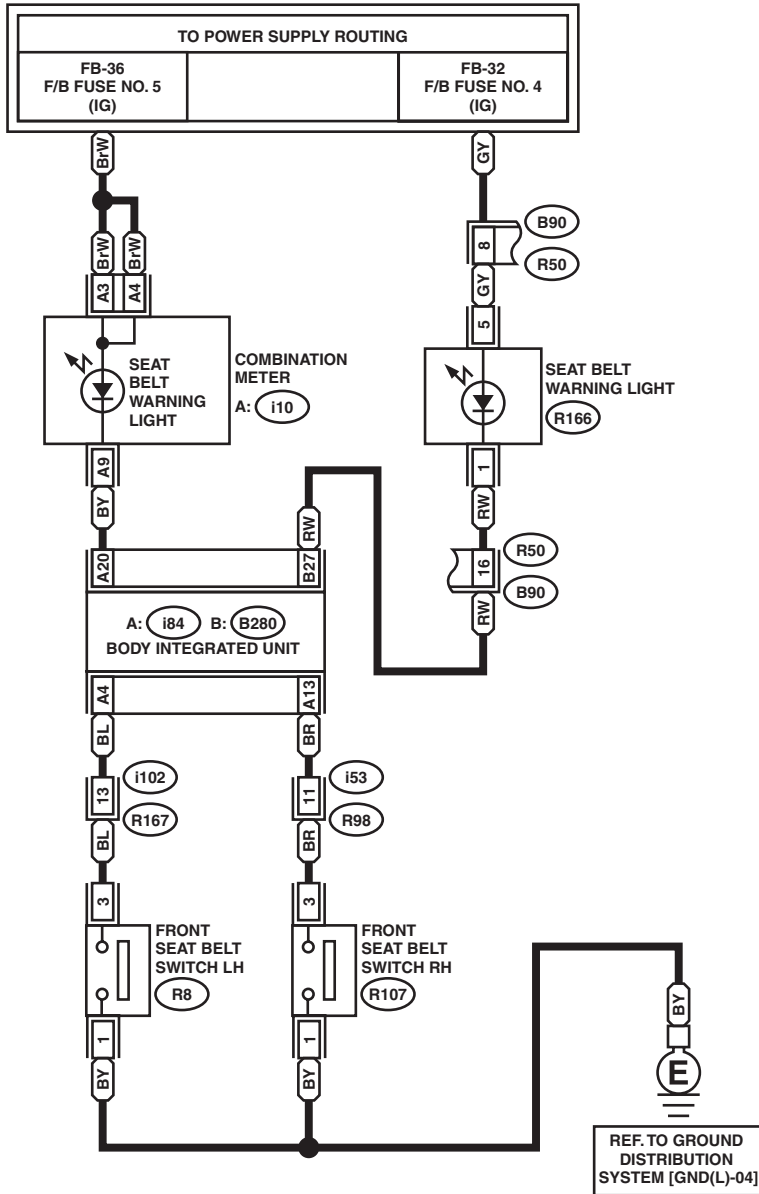
40. Seat Belt Warning System

A: WIRING DIAGRAM

1. LHD MODEL

S/B(L)-01

S/B(L)-01

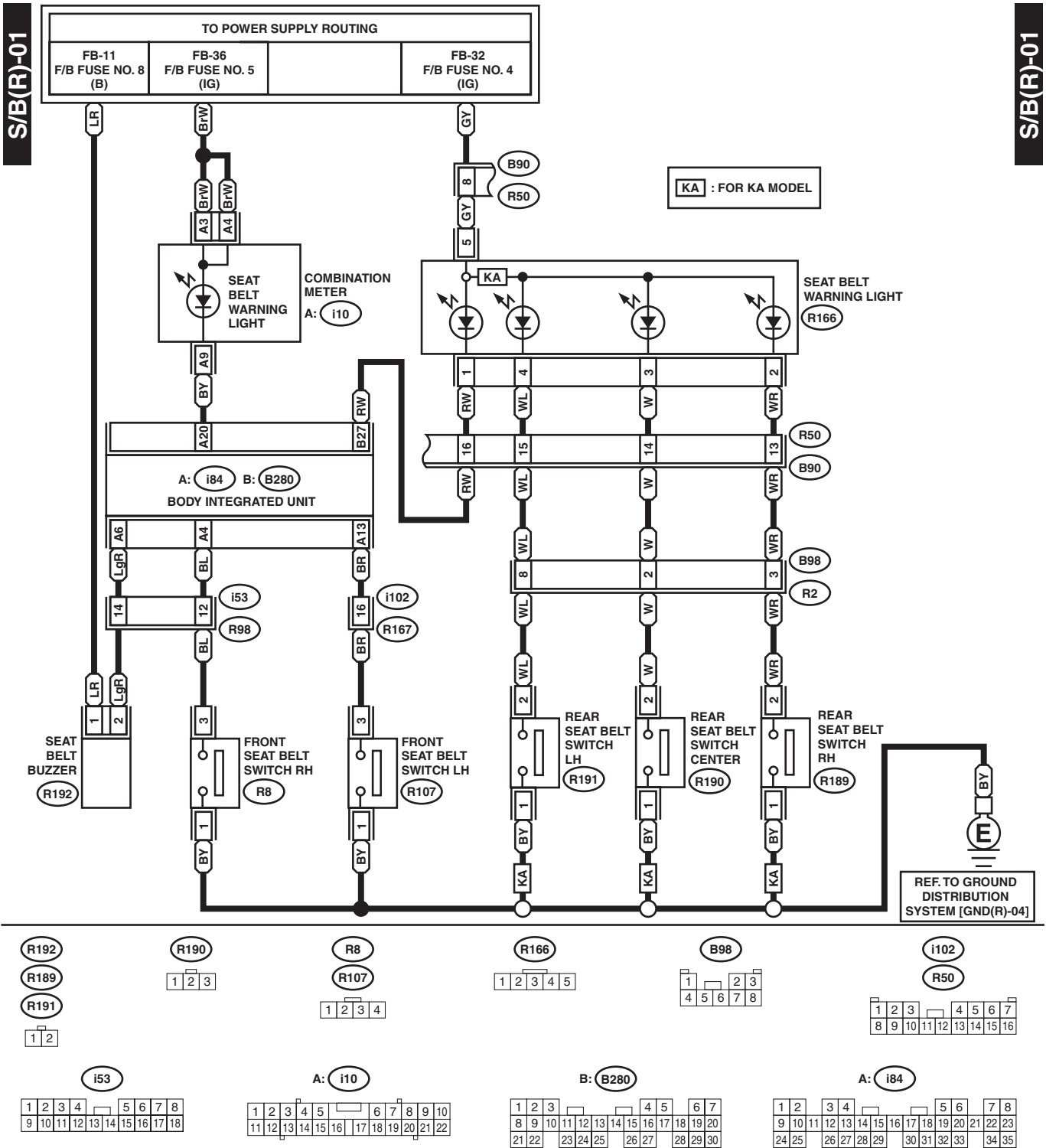


WI-04171

Seat Belt Warning System

WIRING SYSTEM

2. RHD MODEL



WI-04172

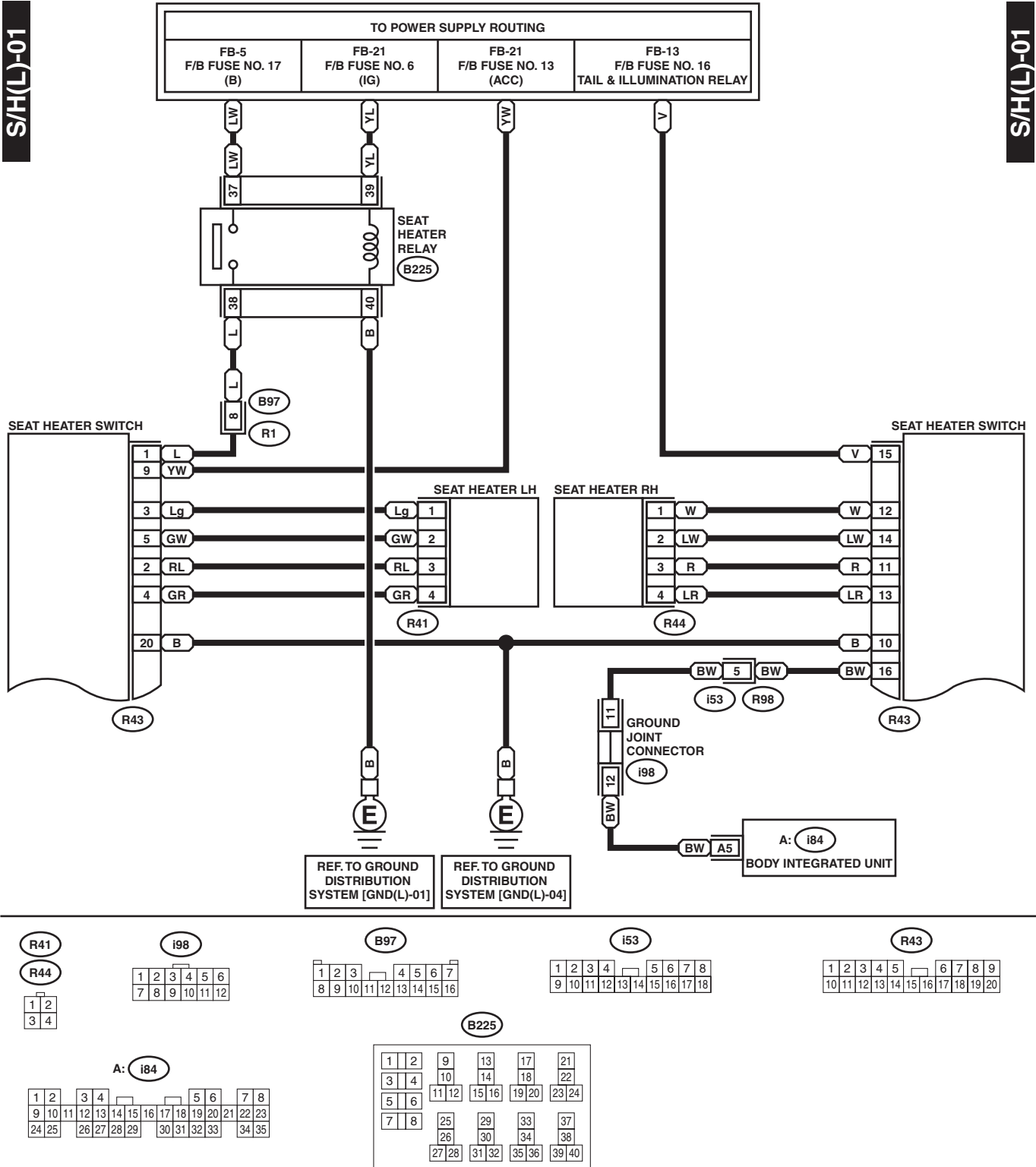
Seat Heater System

WIRING SYSTEM

41. Seat Heater System

A: WIRING DIAGRAM

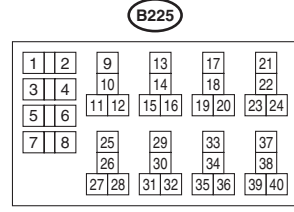
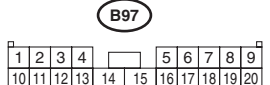
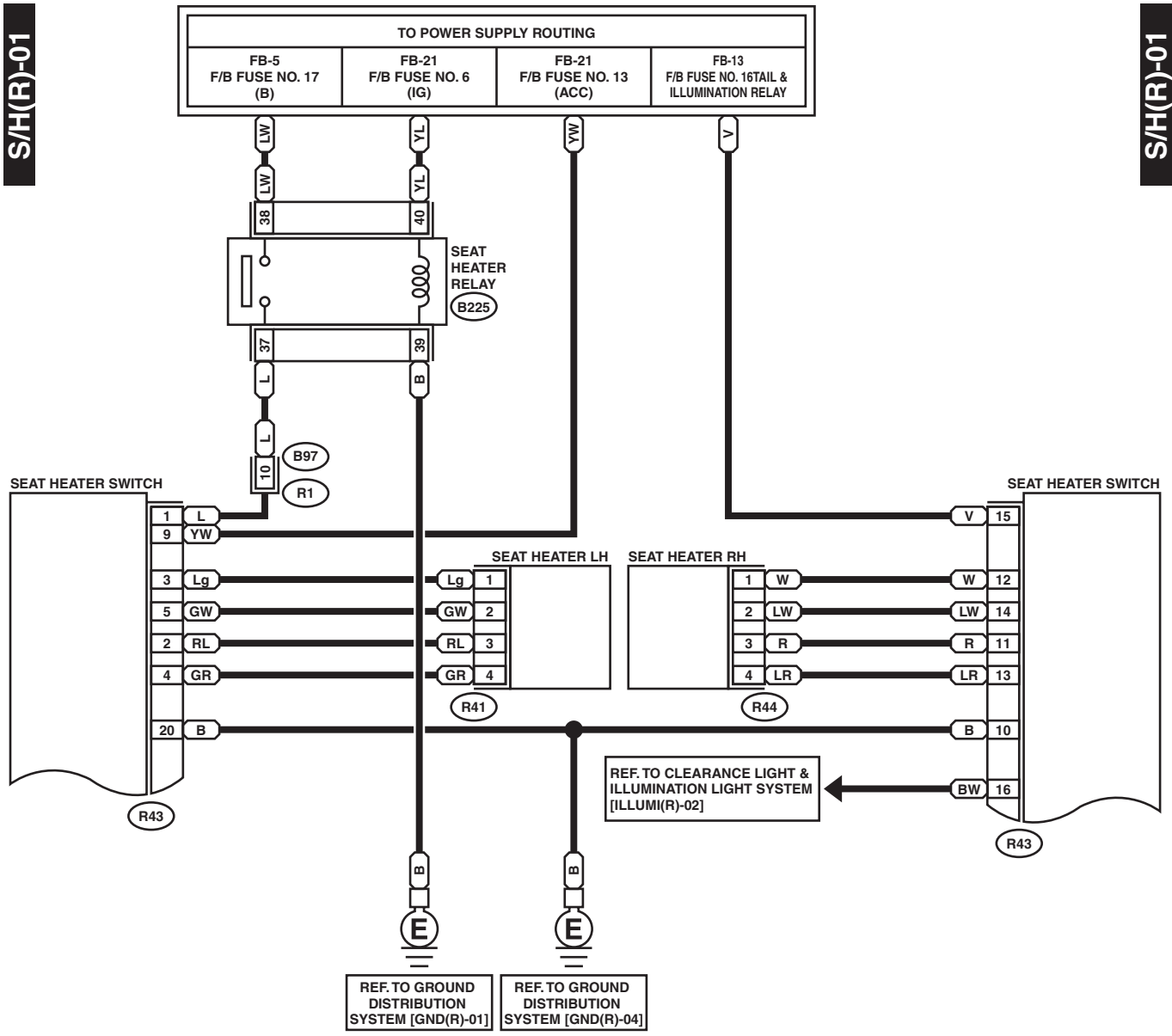
1. LHD MODEL



WI-04173

Seat Heater System

2. RHD MODEL



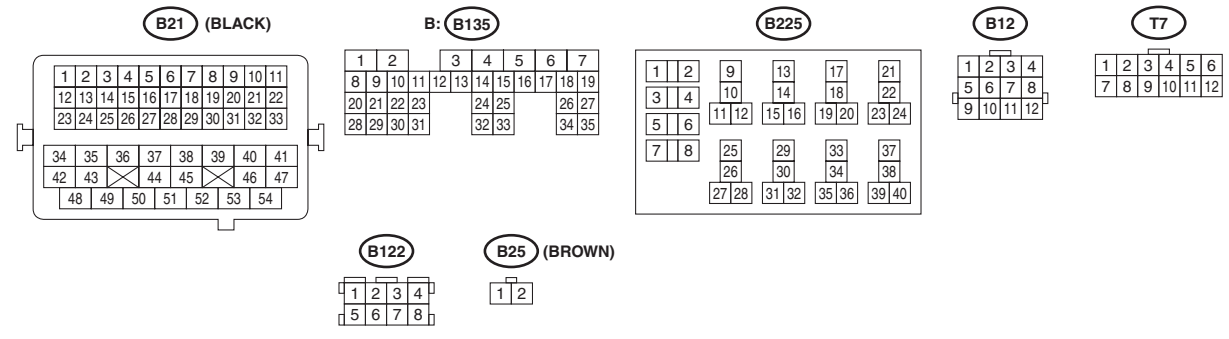
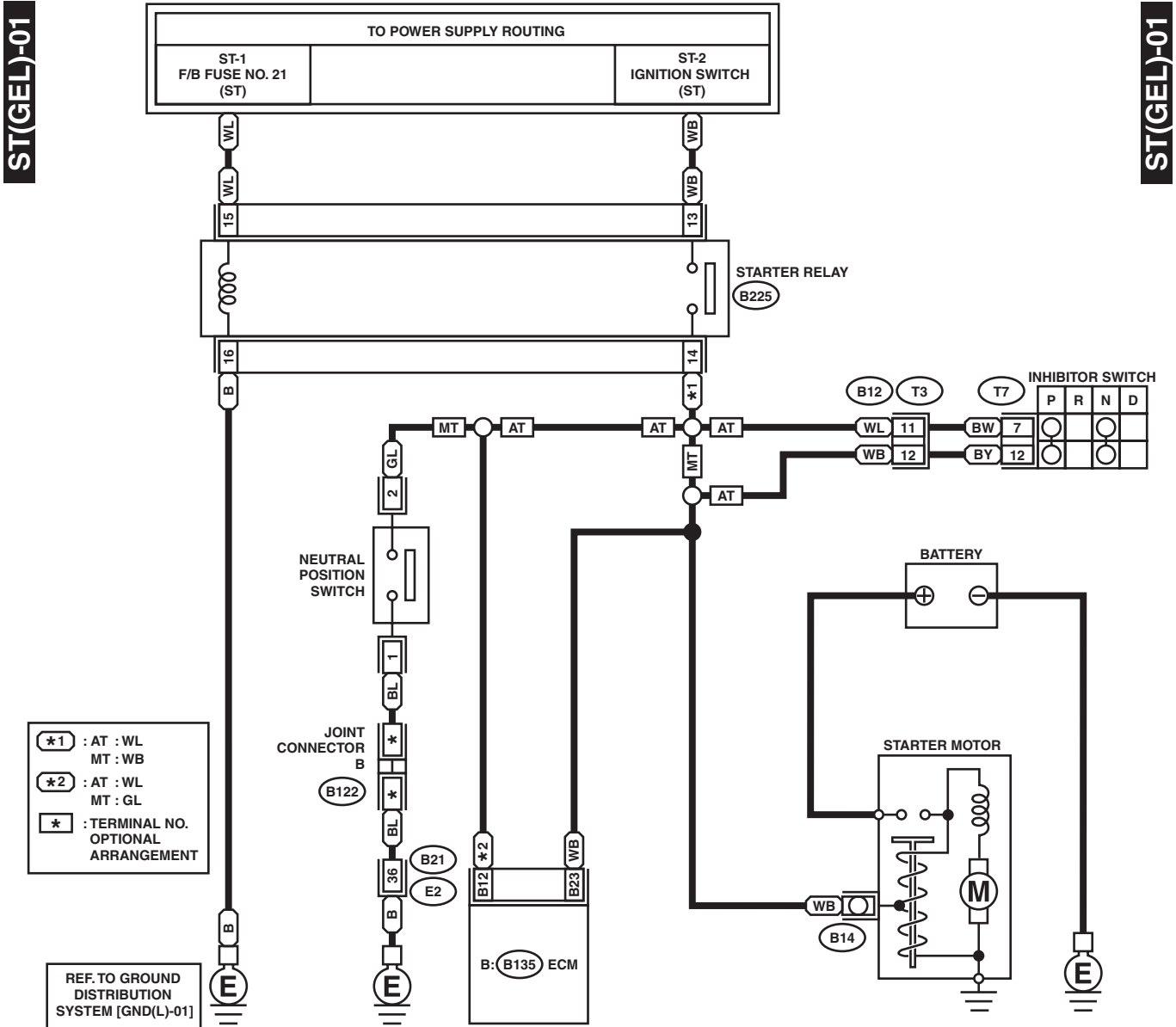
Starter System

WIRING SYSTEM

42. Starter System

A: WIRING DIAGRAM

1. LHD 2.0 L MODEL AND 2.5 L KS MODEL



WI-04178

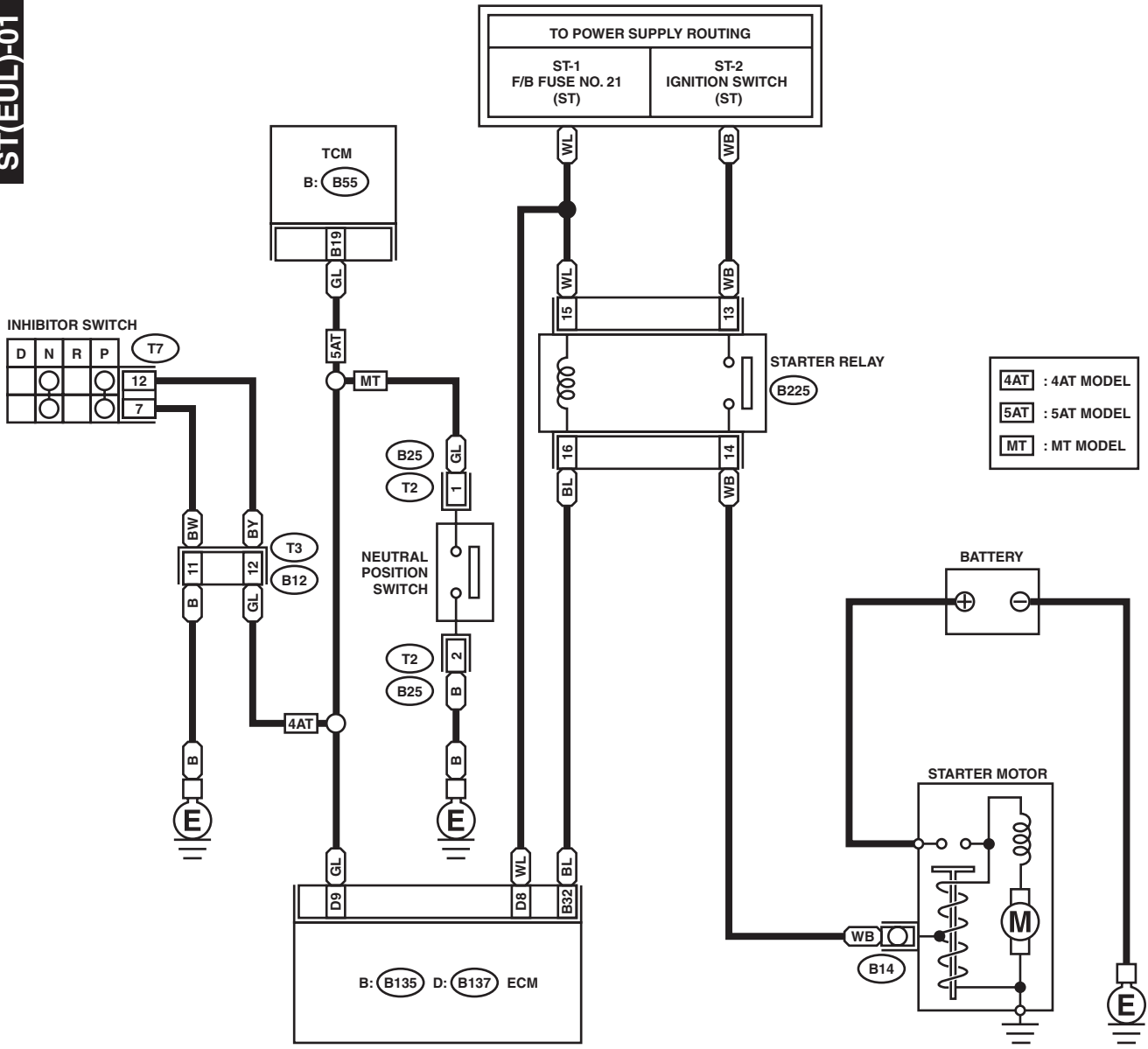
Starter System

WIRING SYSTEM

2. LHD 2.5 L EC, K4 AND 3.0 L MODEL

ST(EUL)-01

ST(EUL)-01



D: B137

1	2	3	4	5	6	7
8	9	10	11	12	13	14
15	16	17	18	19	20	21
22	23	24	25	26	27	28
29	30	31				

B: B135

1	2	3	4	5	6	7
8	9	10	11	12	13	14
15	16	17	18	19	20	21
22	23	24	25	26	27	28
29	30	31	32	33	34	35

B225

1	2	9	13	17	21
3	4	10	14	18	22
5	6	11	12	15	16
19	20	23	24		
7	8	25	29	33	37
		26	30	34	38
27	28	31	32	35	36
39	40				

B: B55 (GRAY)

1	2	3	4	5	6	7	8	9
10	11	12	13	14	15	16	17	18
19	20	21				22	23	24

B12

1	2	3	4
5	6	7	8
9	10	11	12

T7

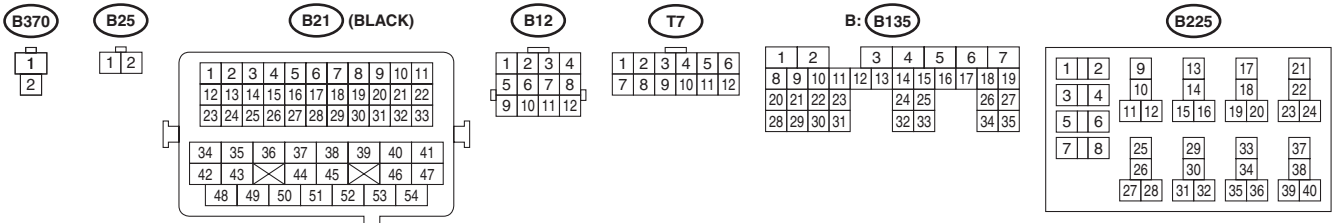
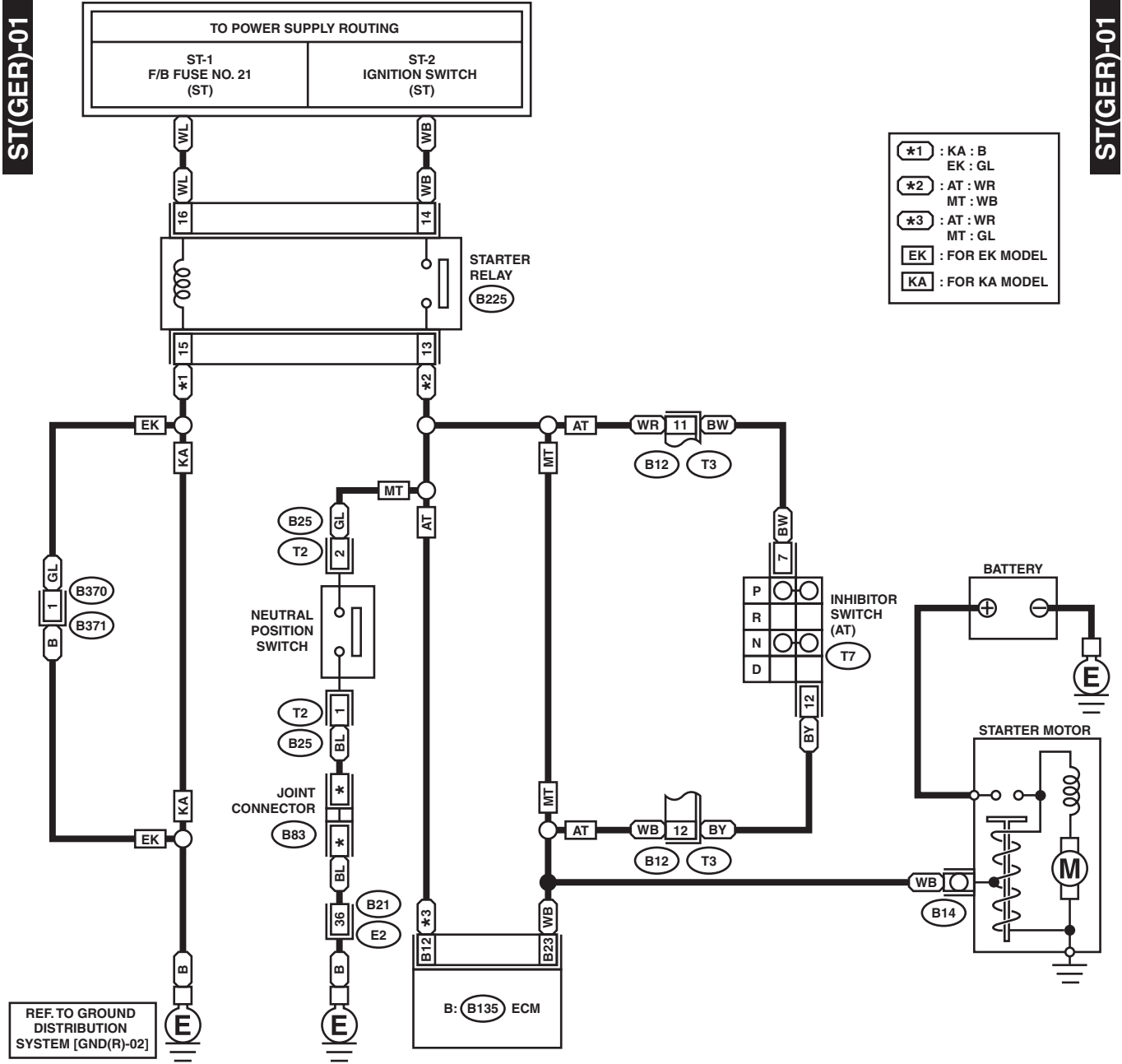
1	2	3	4	5	6
7	8	9	10	11	12

WI-04179

Starter System

WIRING SYSTEM

3. RHD 2.0 L NON-TURBO MODEL AND 2.5 L KA MODEL



WI-04180

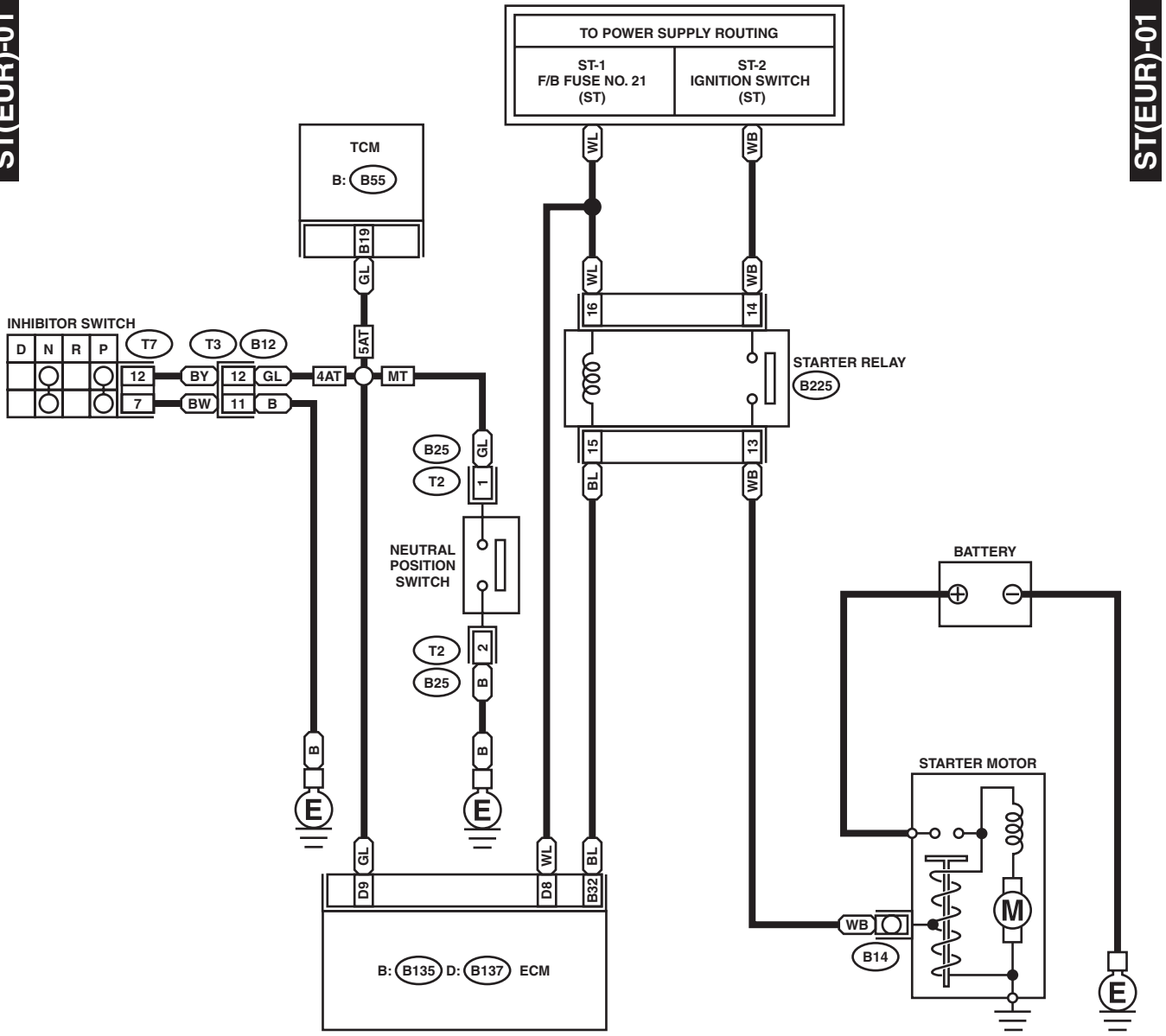
Starter System

WIRING SYSTEM

4. RHD 2.5 L EK MODEL, TURBO MODEL AND 3.0 L MODEL

ST(EUR)-01

ST(EUR)-01



D: B137

1	2	3	4	5	6	7
8	9	10	11	12	13	14
15	16	17	18	19	20	21
22	23	24	25	26	27	28
29	30	31				

B: B135

1	2	3	4	5	6	7
8	9	10	11	12	13	14
15	16	17	18	19	20	21
22	23	24	25	26	27	28
29	30	31	32	33	34	35

B225

1	2	9	13	17	21
3	4	10	14	18	22
5	6	11	15	19	23
7	8	12	16	20	24
		25	29	33	37
		26	30	34	38
		27	28	31	32
		35	36	39	40

B: B55 (GRAY)

1	2	3	4	5	6	7	8	9
10	11	12	13	14	15	16	17	18
19	20	21				22	23	24

B12

1	2	3	4
5	6	7	8
9	10	11	12

T7

1	2	3	4	5	6
7	8	9	10	11	12

B25

1	2
---	---

WI-04181

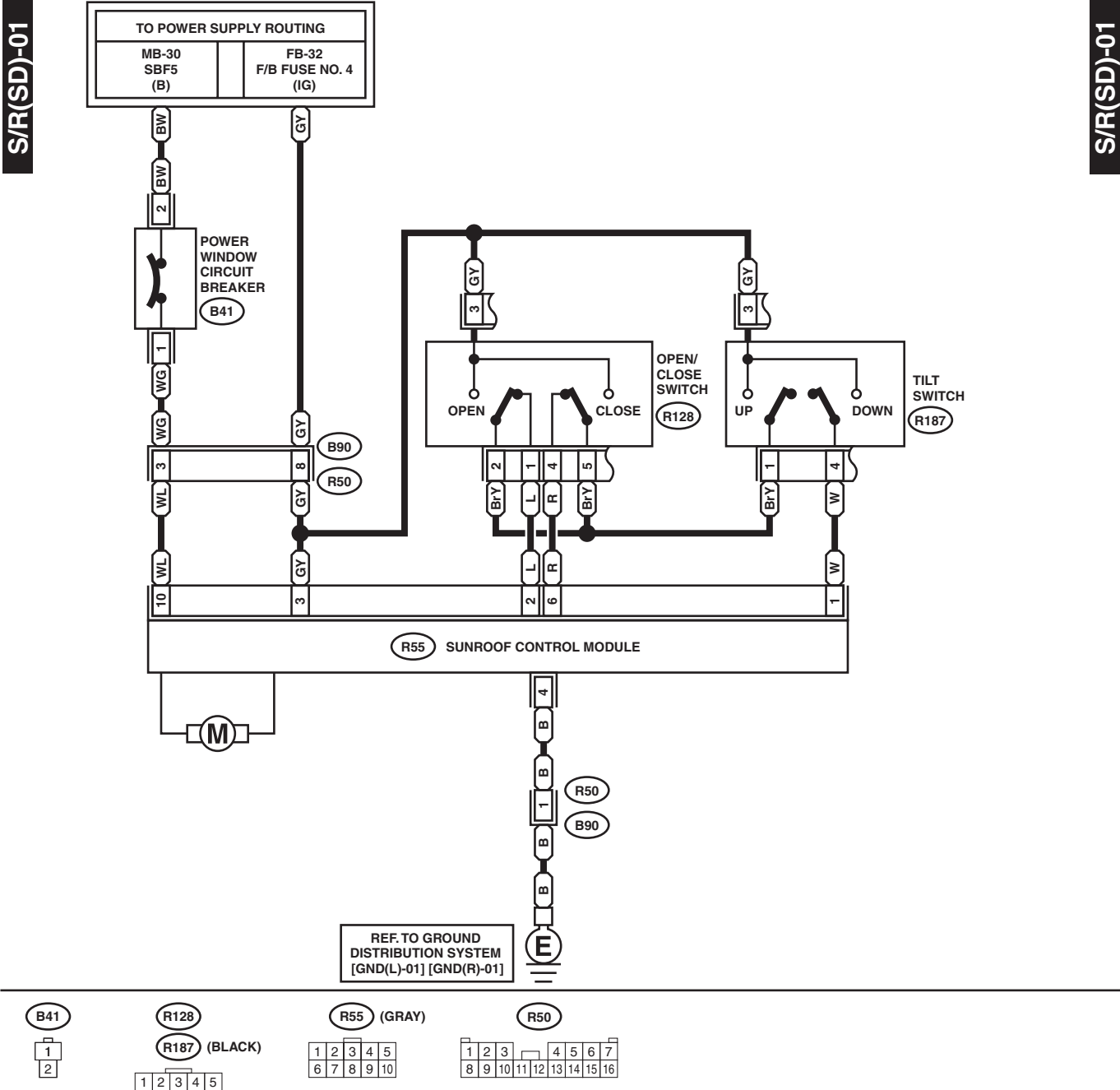
Sunroof System

WIRING SYSTEM

43. Sunroof System

A: WIRING DIAGRAM

1. SEDAN MODEL



WI-04182

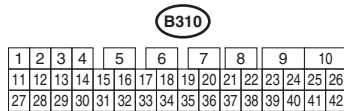
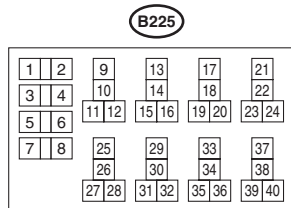
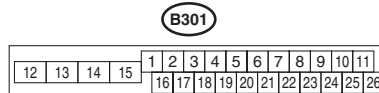
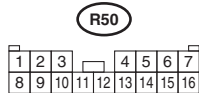
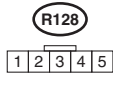
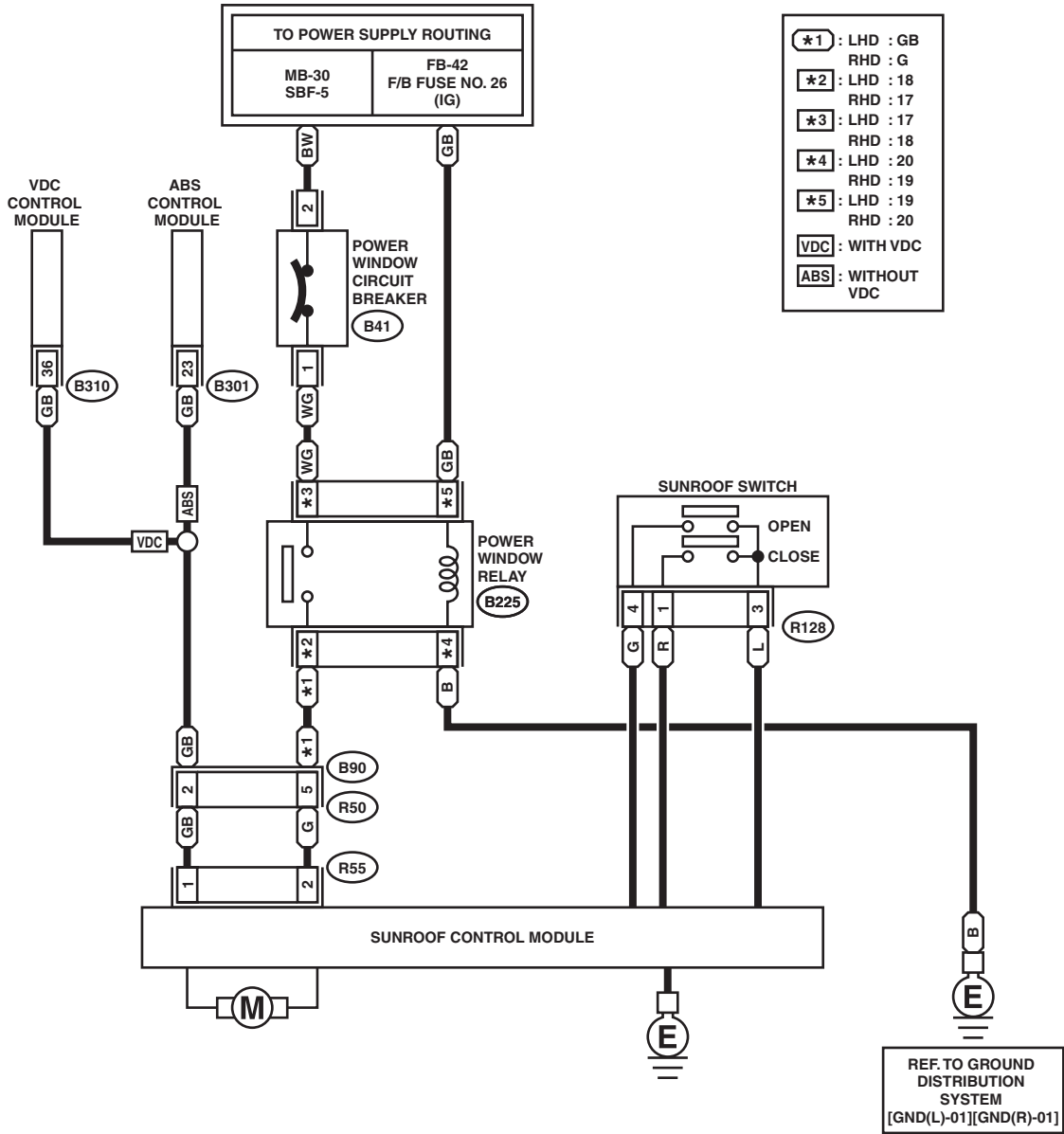
Sunroof System

WIRING SYSTEM

2. WAGON MODEL

S/R(WG)-01

S/R(WG)-01



WI-04183

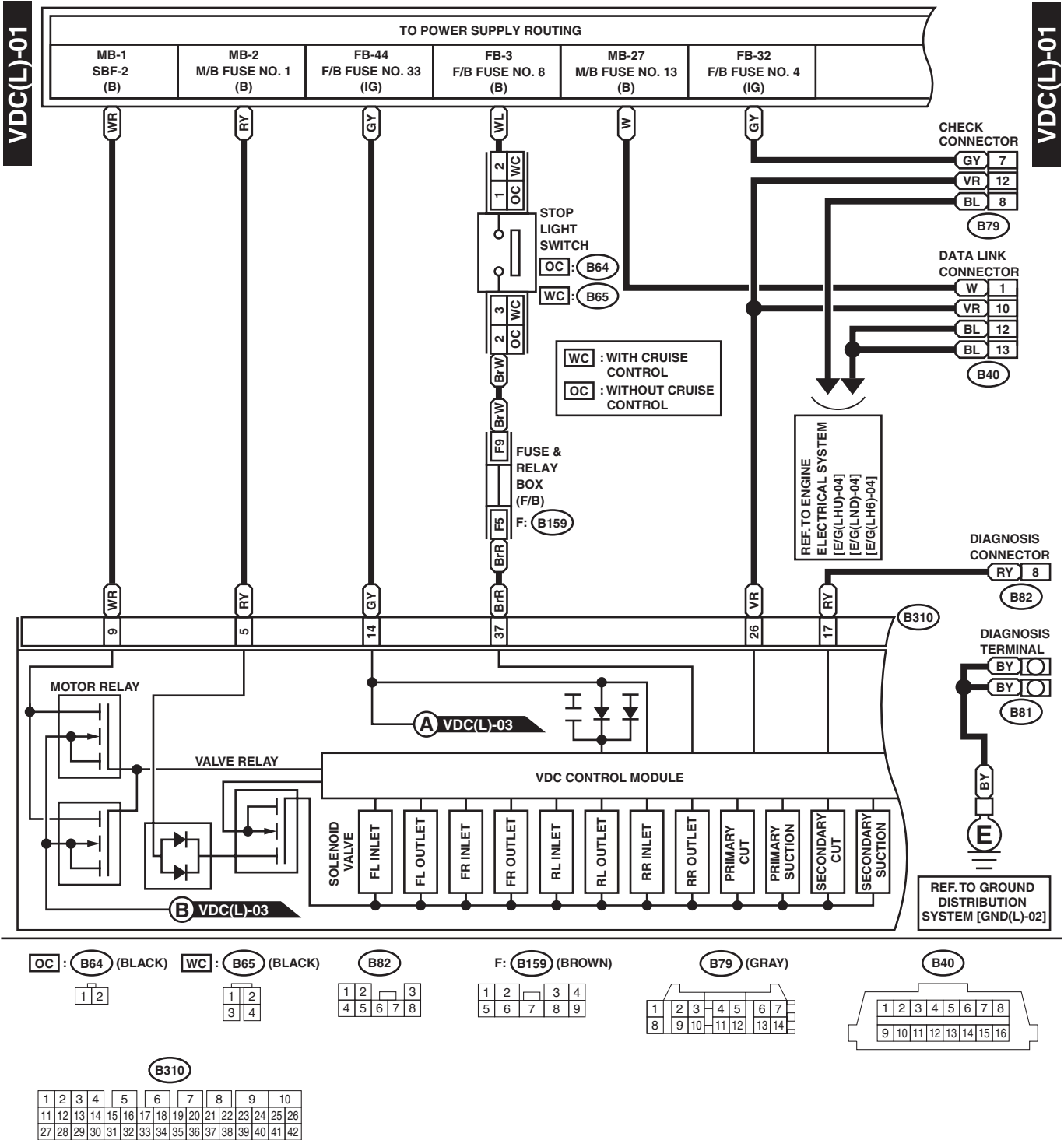
Vehicle Dynamics Control System

WIRING SYSTEM

44. Vehicle Dynamics Control System

A: WIRING DIAGRAM

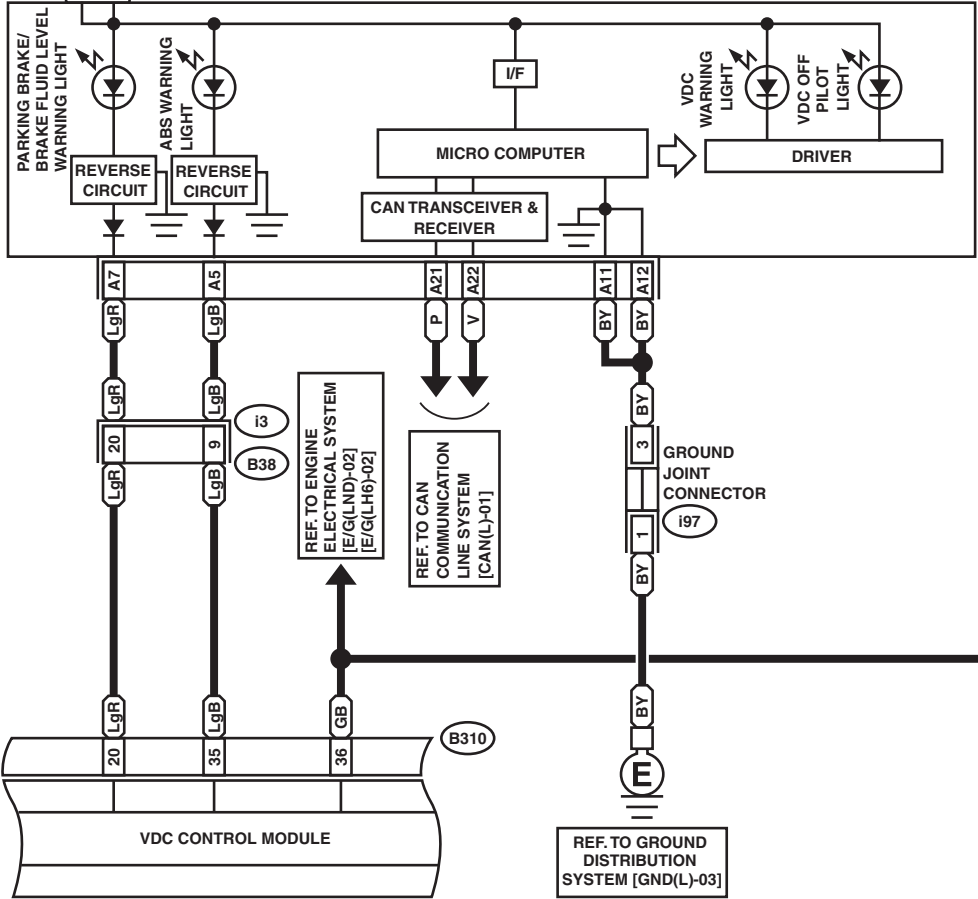
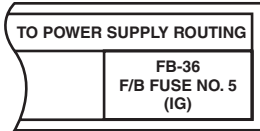
1. LHD MODEL



WI-04184

VDC(L)-02

VDC(L)-02



i97

1	2	3	4	5	6
7	8	9	10	11	12

B228

1	2	3
4	5	6
7	8	9
10	11	12
13	14	15

B38

1	2	3	4	5	6	7	8	9
10	11	12	13	14	15	16	17	18
19	20							

A: i10

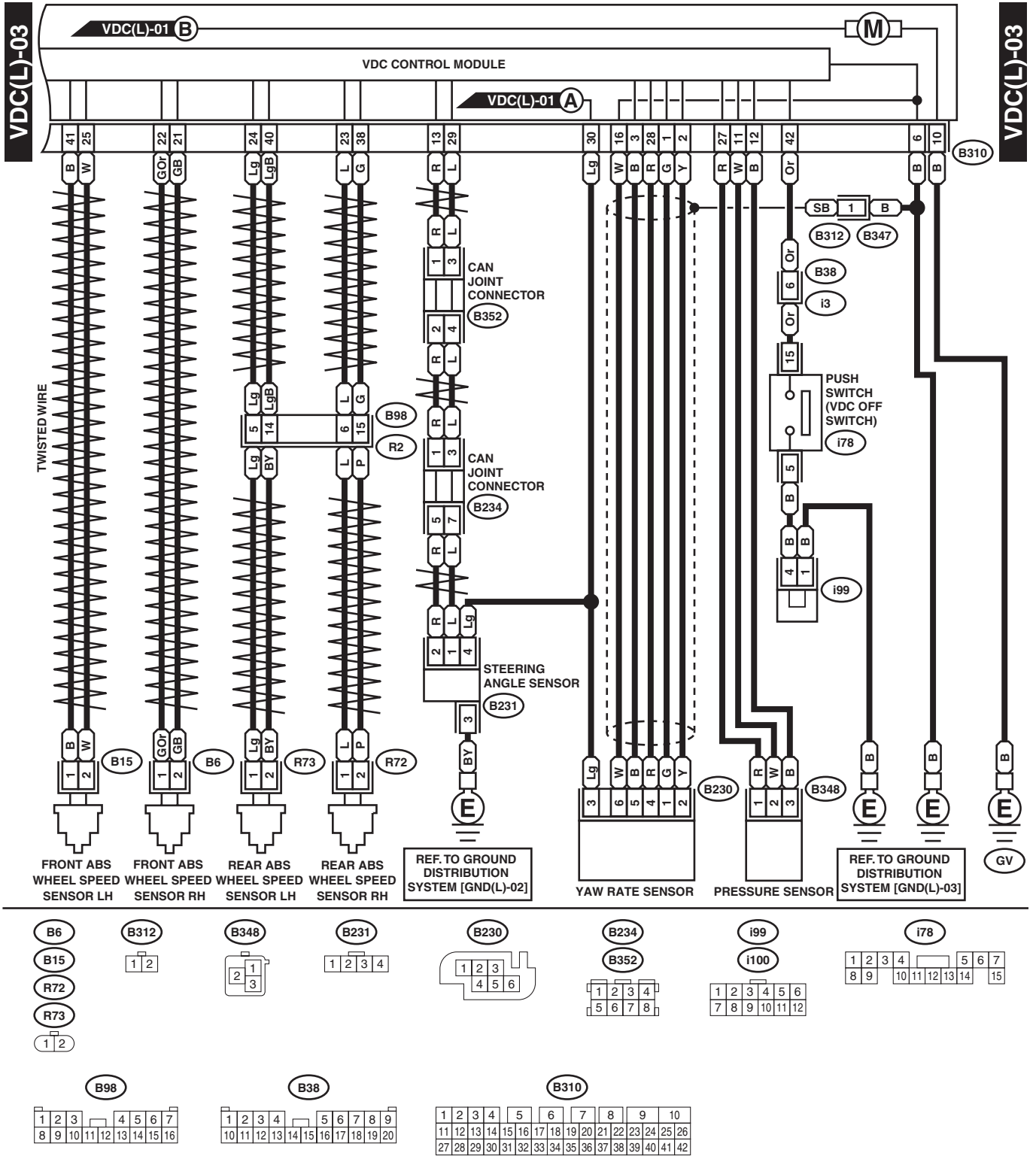
1	2	3	4	5	6	7	8	9	10
11	12	13	14	15	16	17	18	19	20
21	22								

B310

1	2	3	4	5	6	7	8	9	10
11	12	13	14	15	16	17	18	19	20
21	22	23	24	25	26	27	28	29	30
31	32	33	34	35	36	37	38	39	40
41	42								

Vehicle Dynamics Control System

WIRING SYSTEM

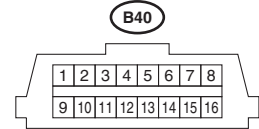
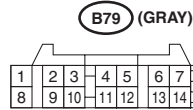
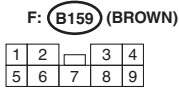
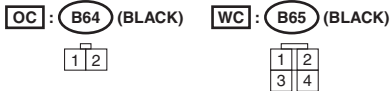
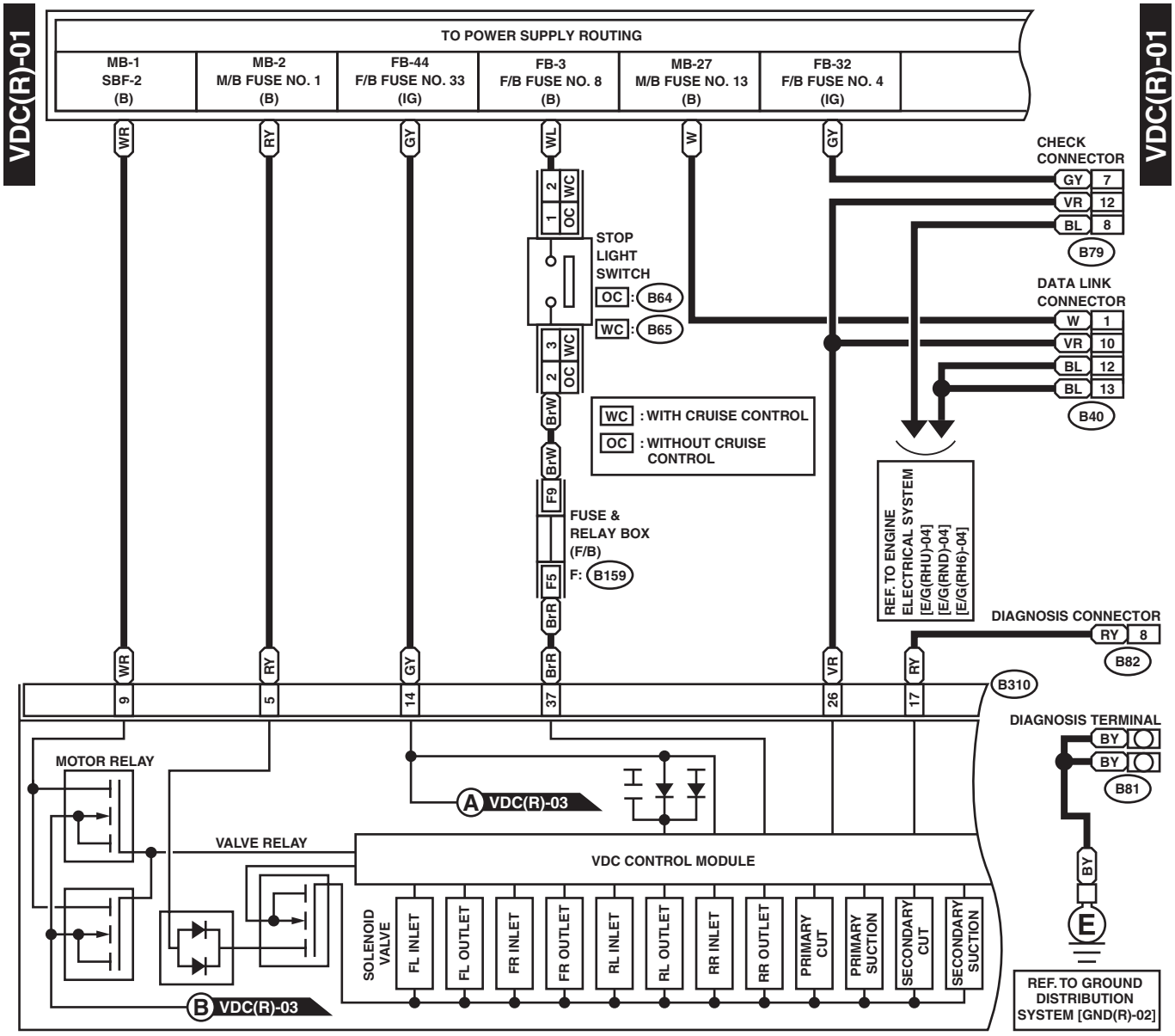


WI-04186

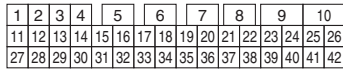
Vehicle Dynamics Control System

WIRING SYSTEM

2. RHD MODEL



(B310)



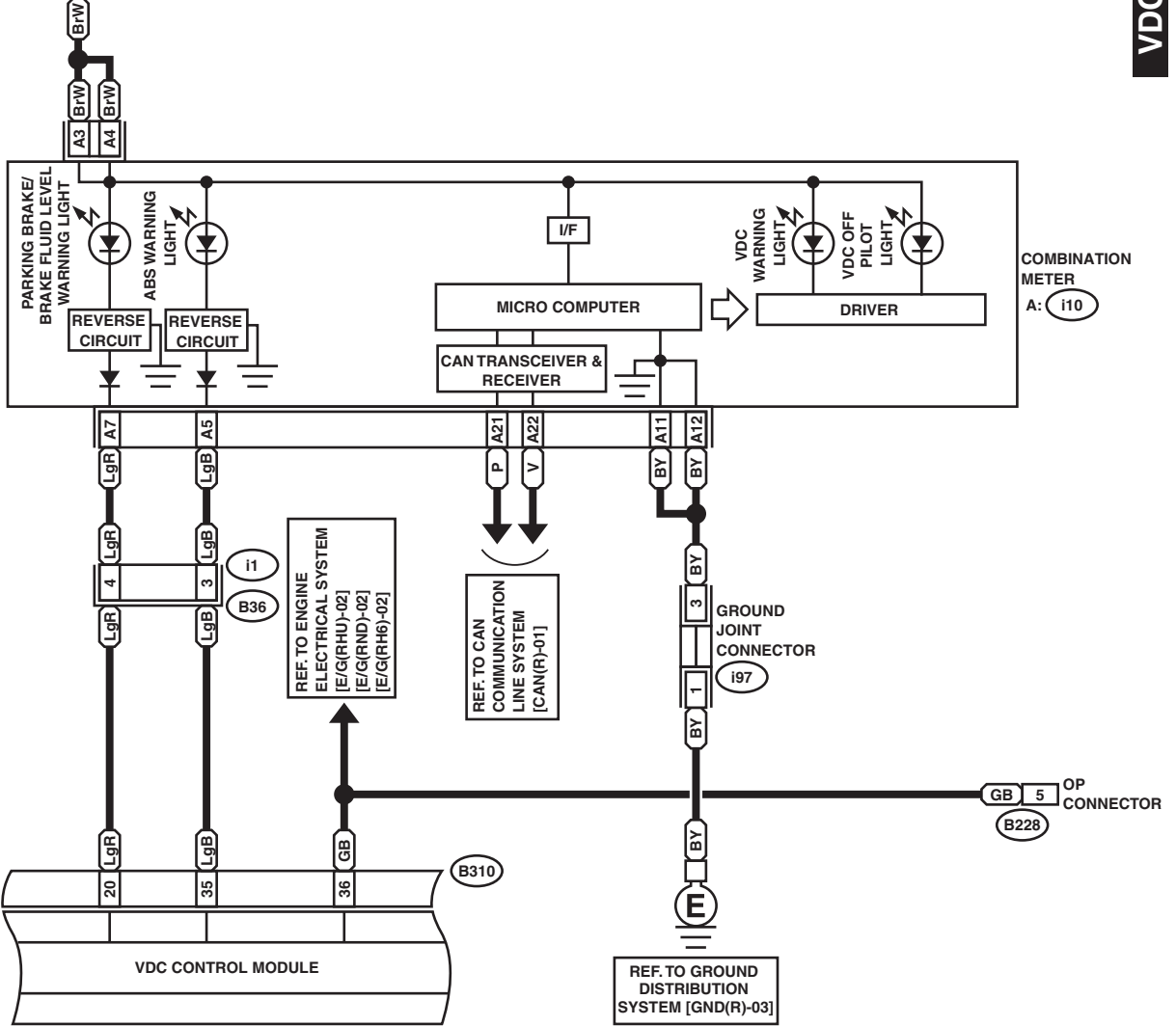
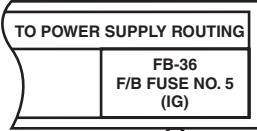
WI-04187

Vehicle Dynamics Control System

WIRING SYSTEM

VDC(R)-02

VDC(R)-02



i97

1	2	3	4	5	6
7	8	9	10	11	12

B228

1	2	3
4	5	6
7	8	9
10	11	12
13	14	15

A: i10

1	2	3	4	5	6	7	8	9	10
11	12	13	14	15	16	17	18	19	20
21	22								

i1

1	2	3	4
5	6	7	8
9	10	11	12
13	14	15	16
17	18	19	20
21	22	23	24
25	26	27	28

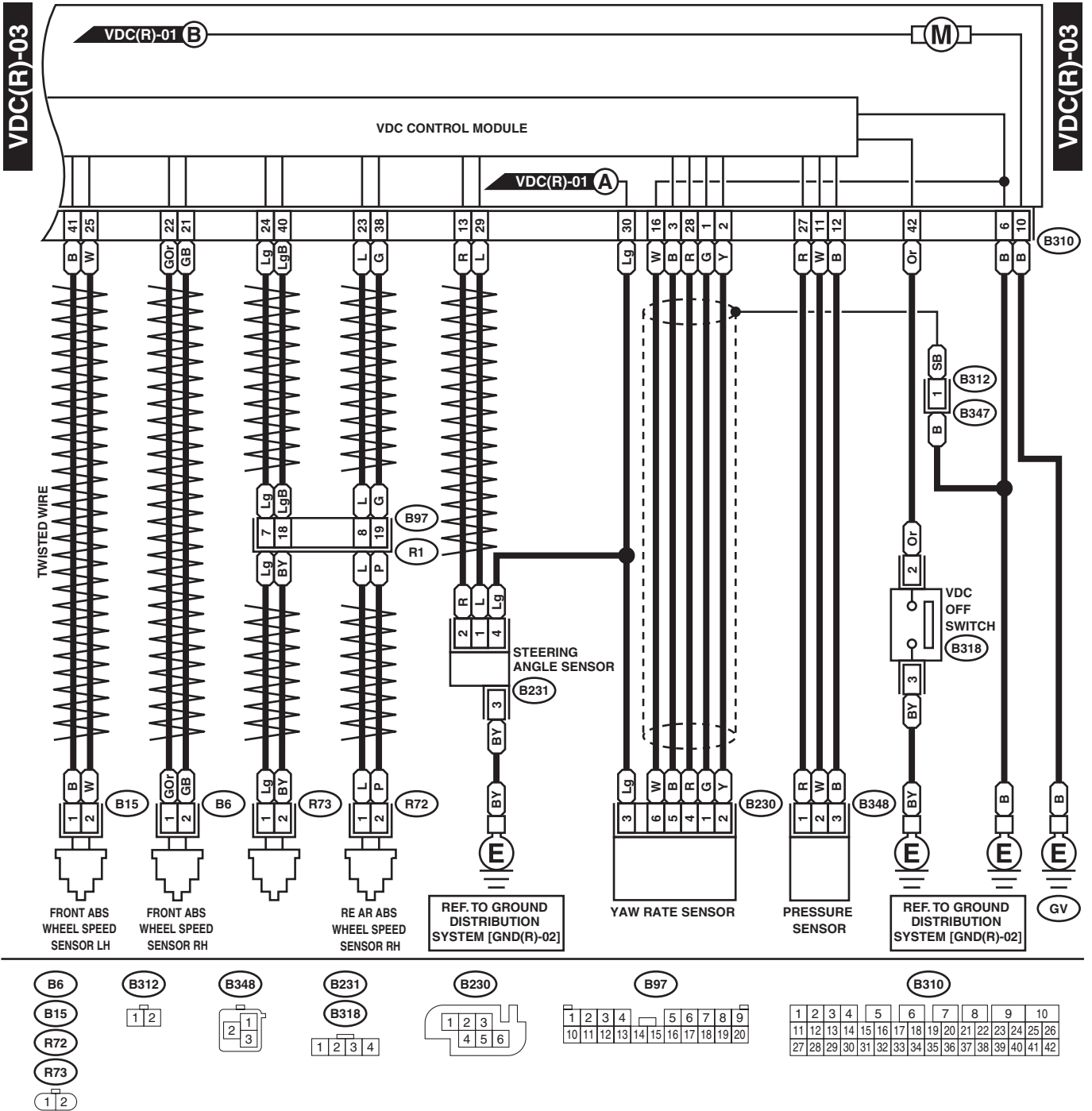
B310

1	2	3	4	5	6	7	8	9	10
11	12	13	14	15	16	17	18	19	20
21	22	23	24	25	26	27	28	29	30
31	32	33	34	35	36	37	38	39	40
41	42								

WI-04188

Vehicle Dynamics Control System

WIRING SYSTEM



WI-04189

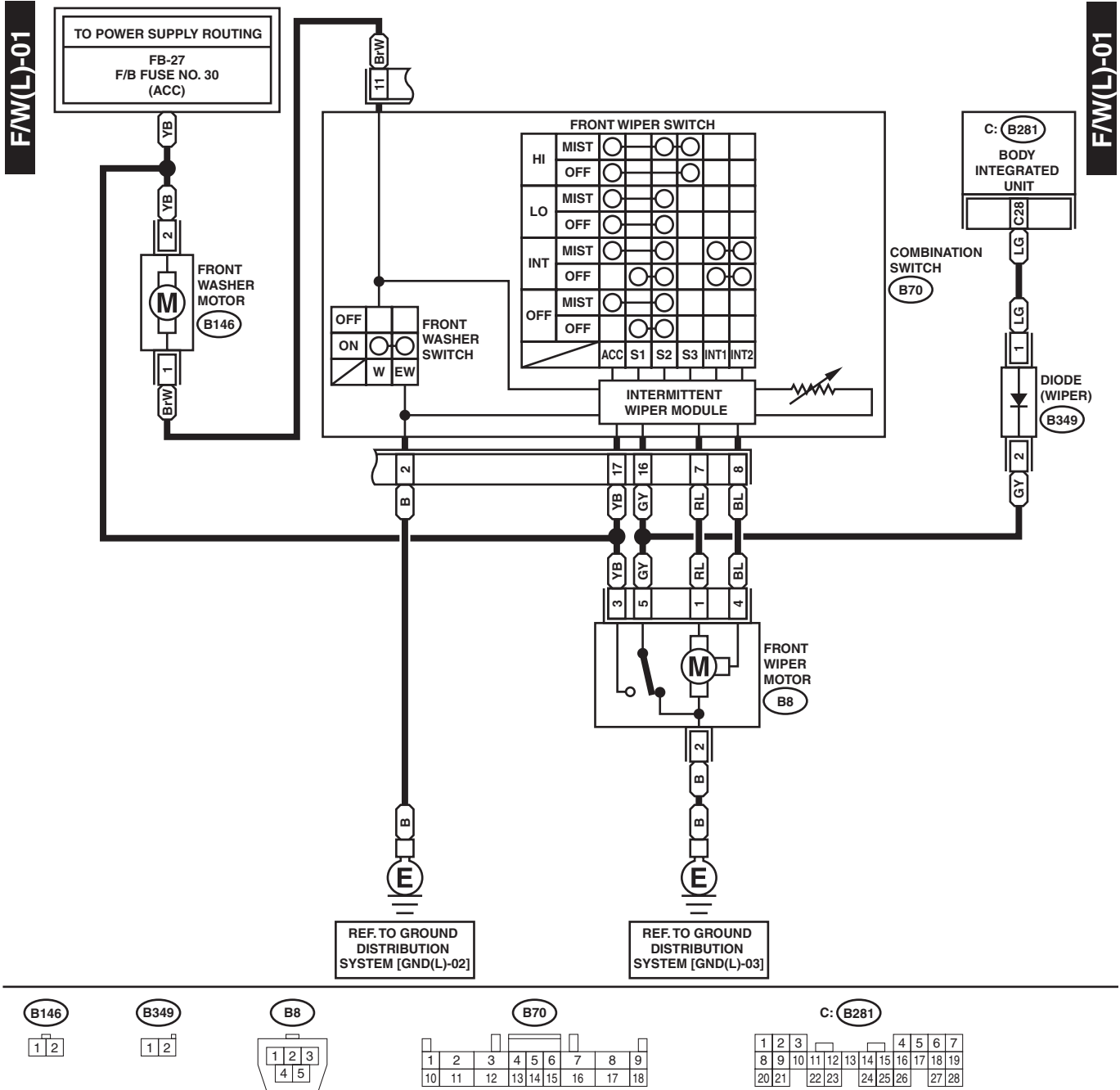
Front Wiper and Washer System

WIRING SYSTEM

45. Front Wiper and Washer System

A: WIRING DIAGRAM

1. LHD MODEL

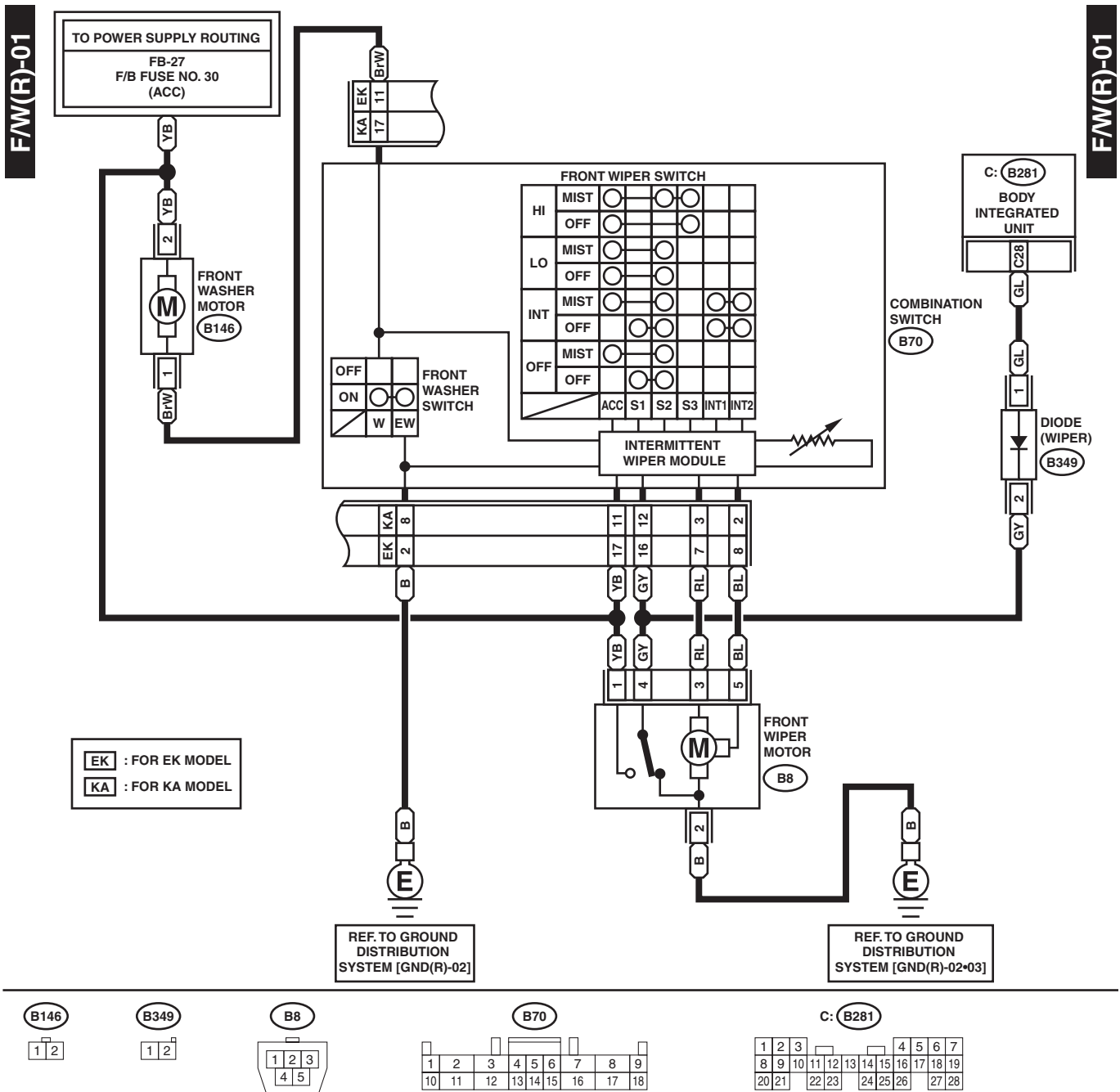


WI-04190

Front Wiper and Washer System

WIRING SYSTEM

2. RHD MODEL



WI-04191

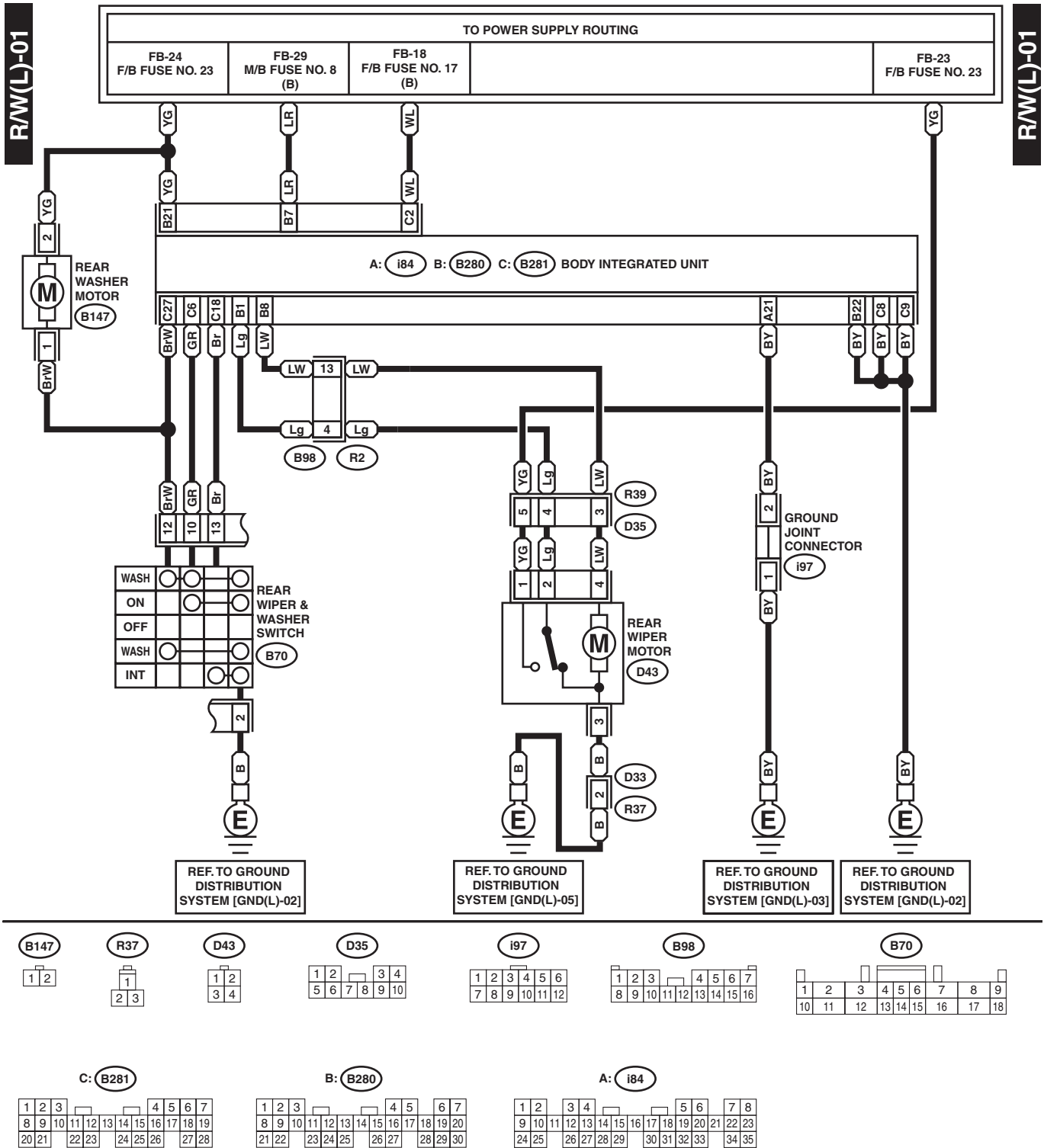
Rear Wiper and Washer System

WIRING SYSTEM

46. Rear Wiper and Washer System

A: WIRING DIAGRAM

1. LHD MODEL

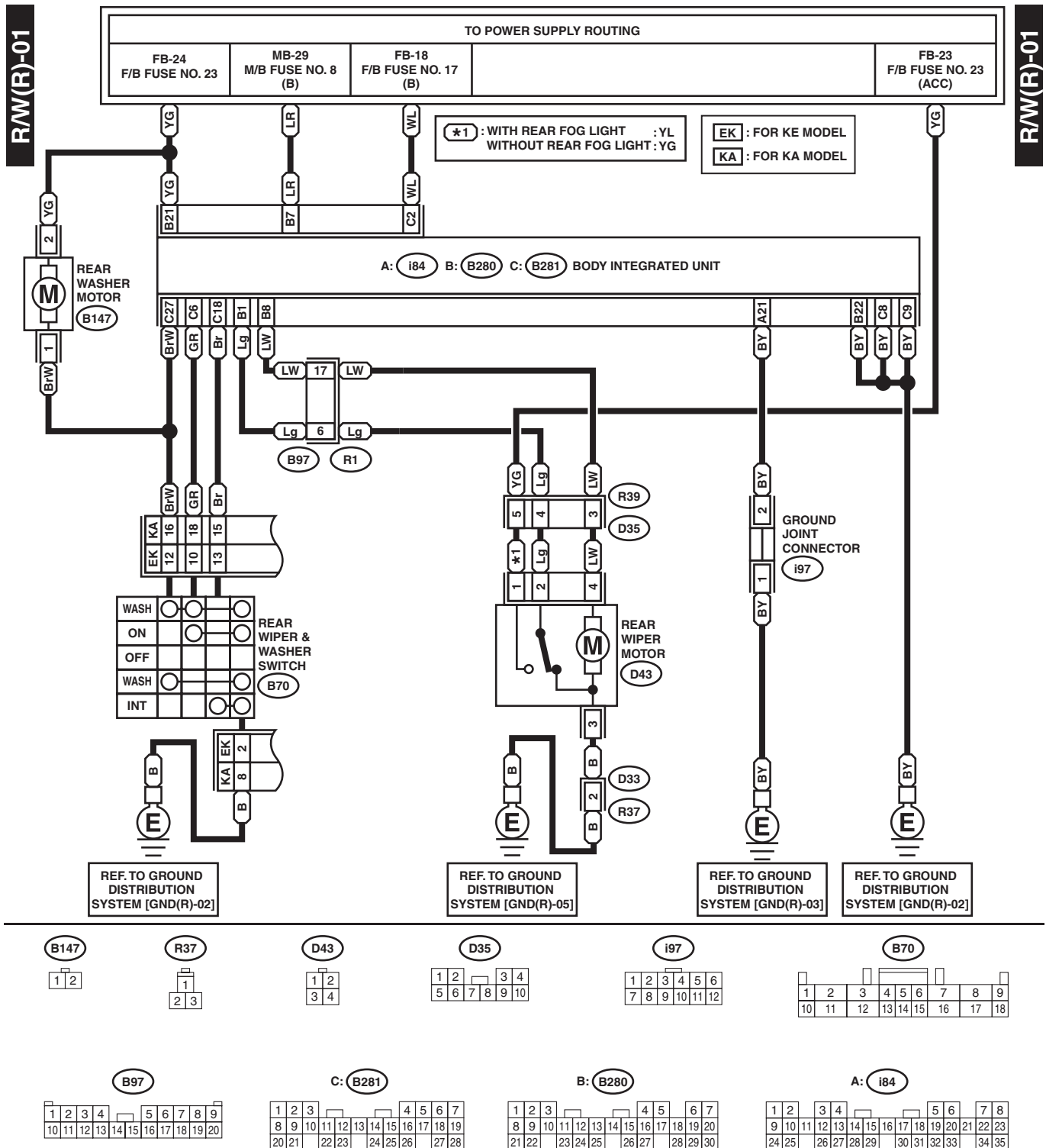


WI-04192

Rear Wiper and Washer System

WIRING SYSTEM

2. RHD MODEL



WI-04193

Wiper Deicer System

WIRING SYSTEM

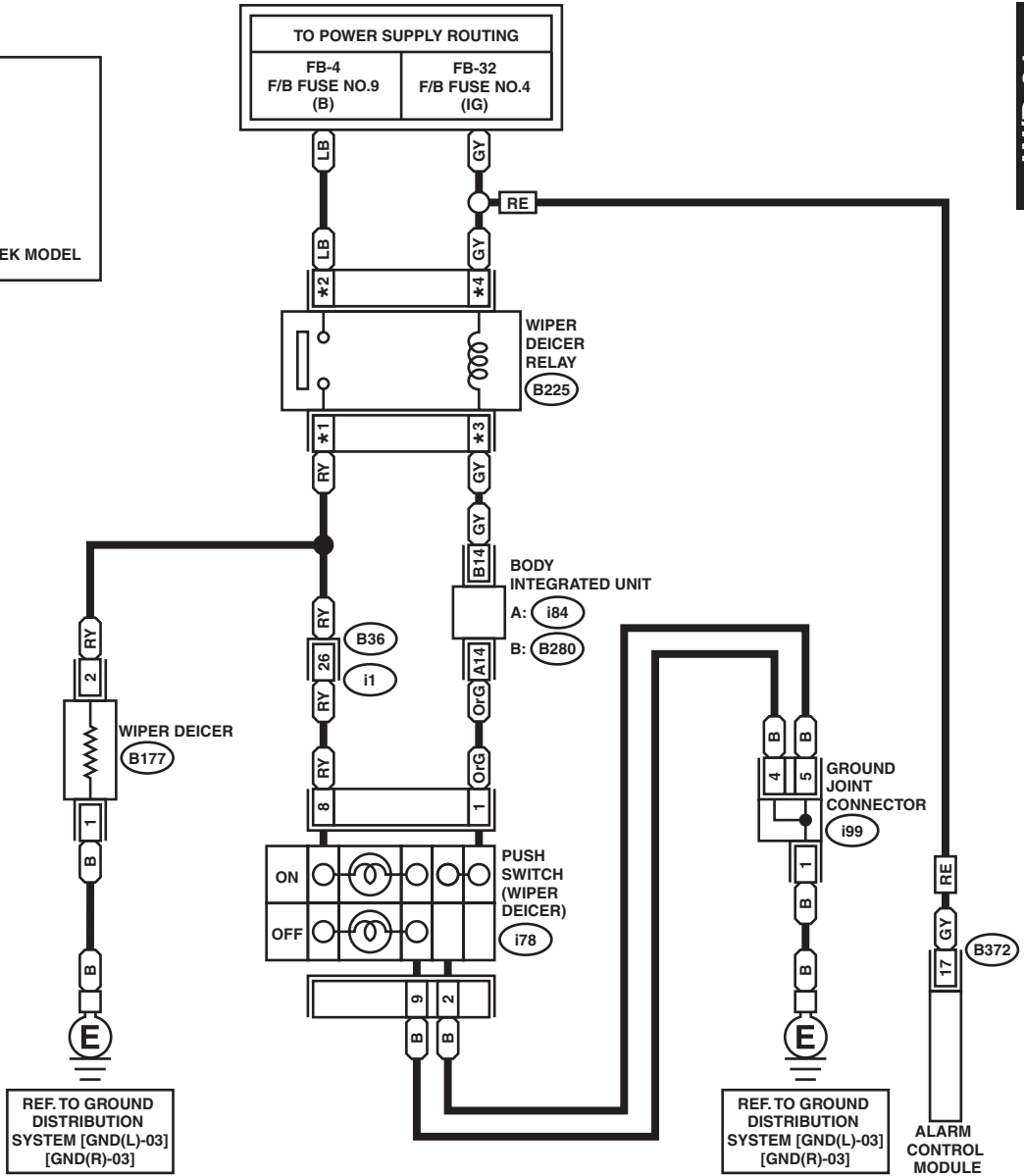
47. Wiper Deicer System

A: WIRING DIAGRAM

W/D-01

W/D-01

- *1 : LHD : 34
RHD : 33
- *2 : LHD : 33
RHD : 34
- *3 : LHD : 36
RHD : 35
- *4 : LHD : 35
RHD : 36
- RE : RHD FOR EK MODEL



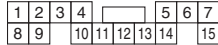
B177



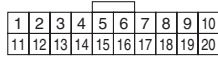
i99



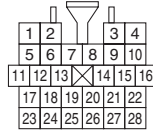
i78



B372



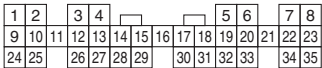
i1



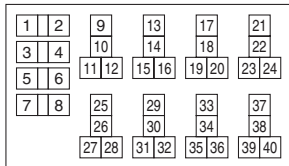
B: B280



A: i84



B225

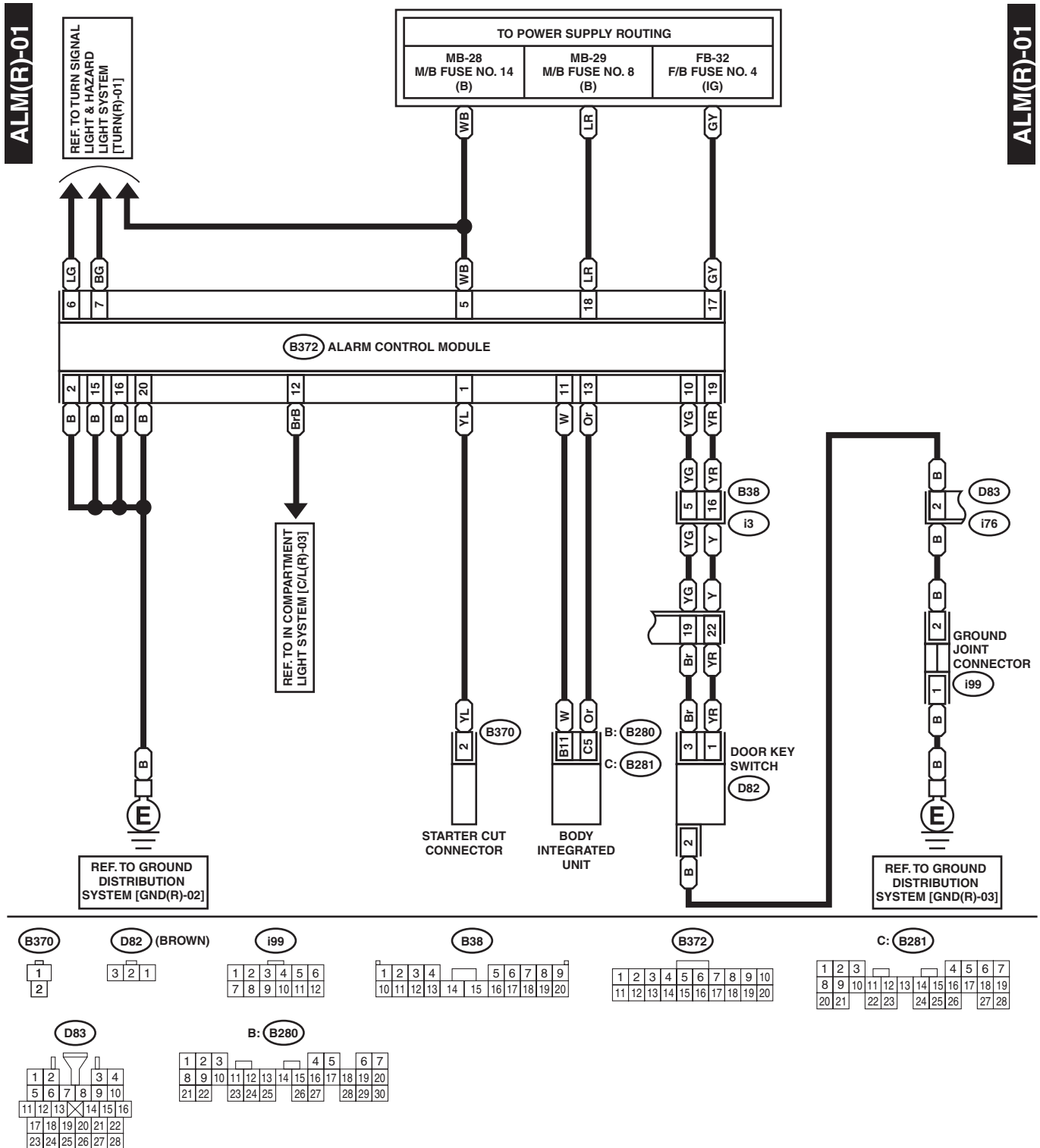


WI-04194

48. Alarm Control System

A: WIRING DIAGRAM

1. RHD MODEL



Rear Accessory Power Supply System

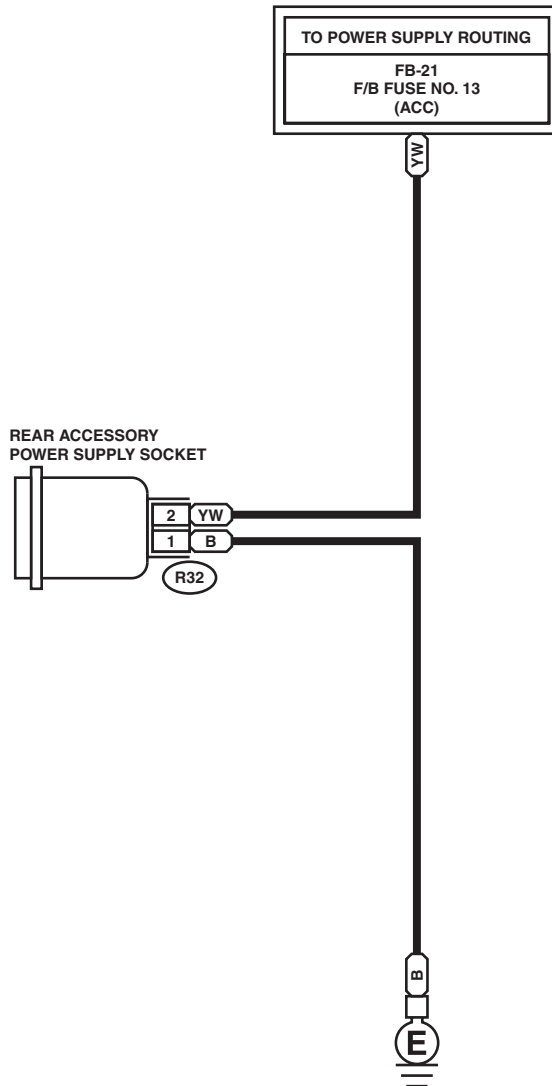
WIRING SYSTEM

49. Rear Accessory Power Supply System

A: WIRING DIAGRAM

RAPS-01

RAPS-01



R32

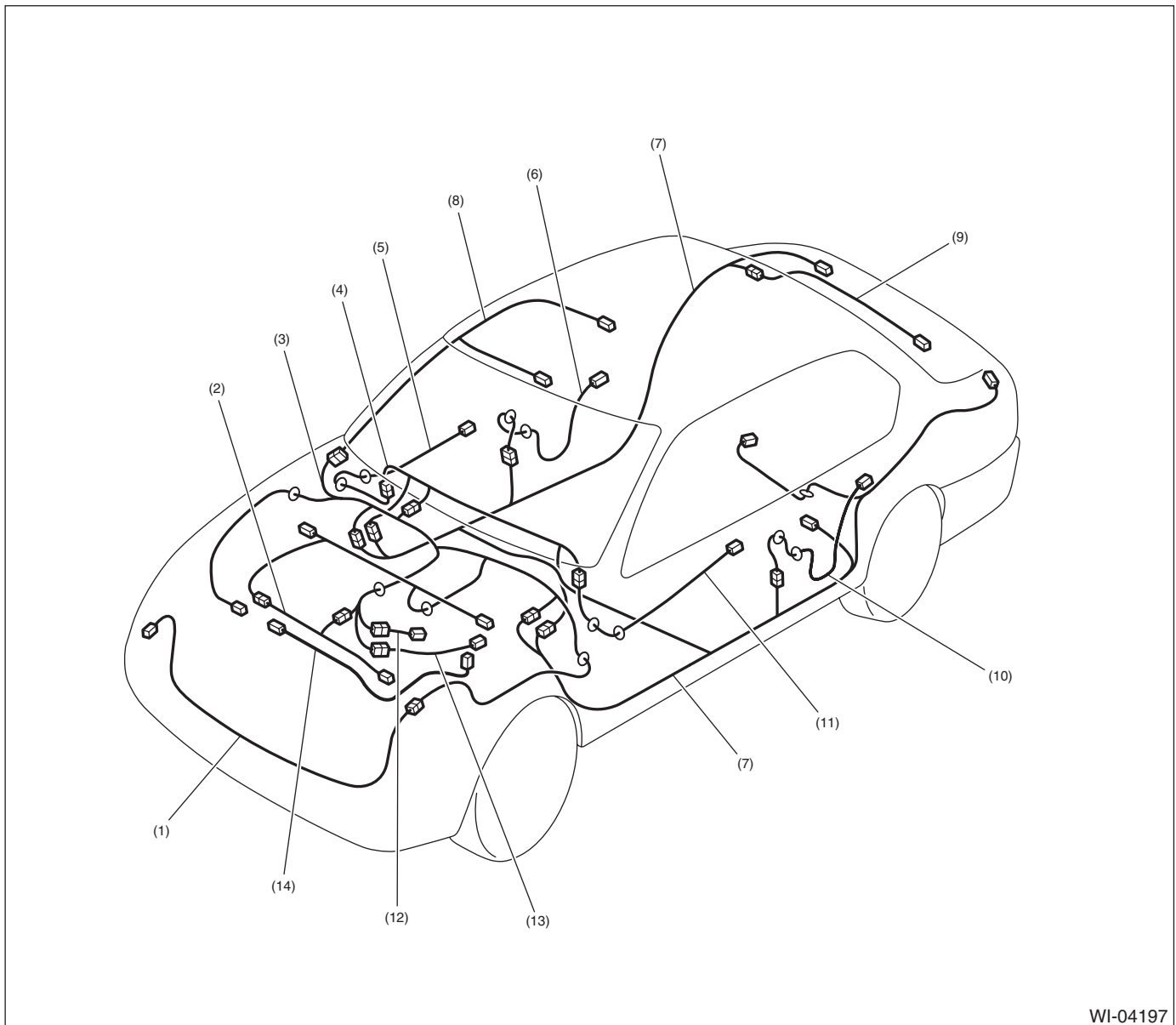
1
2

WI-04673

50. Harness Components Location

A: LOCATION

1. LHD SEDAN MODEL



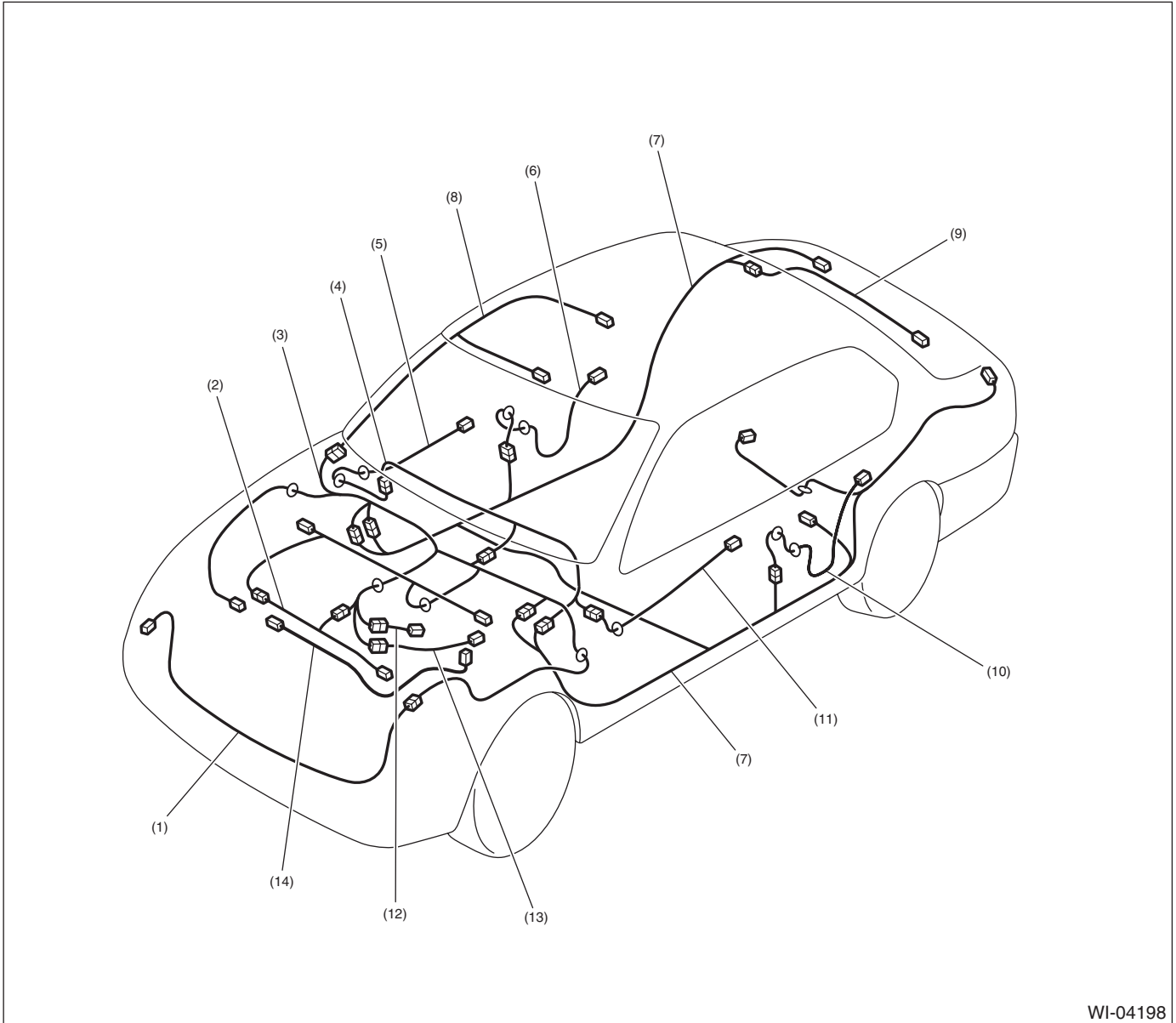
WI-04197

- | | | |
|-------------------------------------|-------------------------|------------------------------|
| (1) Front wiring harness | (6) Rear door cord RH | (11) Front door cord LH |
| (2) Engine wiring harness | (7) Rear wiring harness | (12) Transmission cord |
| (3) Bulkhead wiring harness | (8) Roof cord | (13) Rear oxygen sensor cord |
| (4) Instrument panel wiring harness | (9) Trunk lid cord | (14) Generator cord |
| (5) Front door cord RH | (10) Rear door cord LH | |

Harness Components Location

WIRING SYSTEM

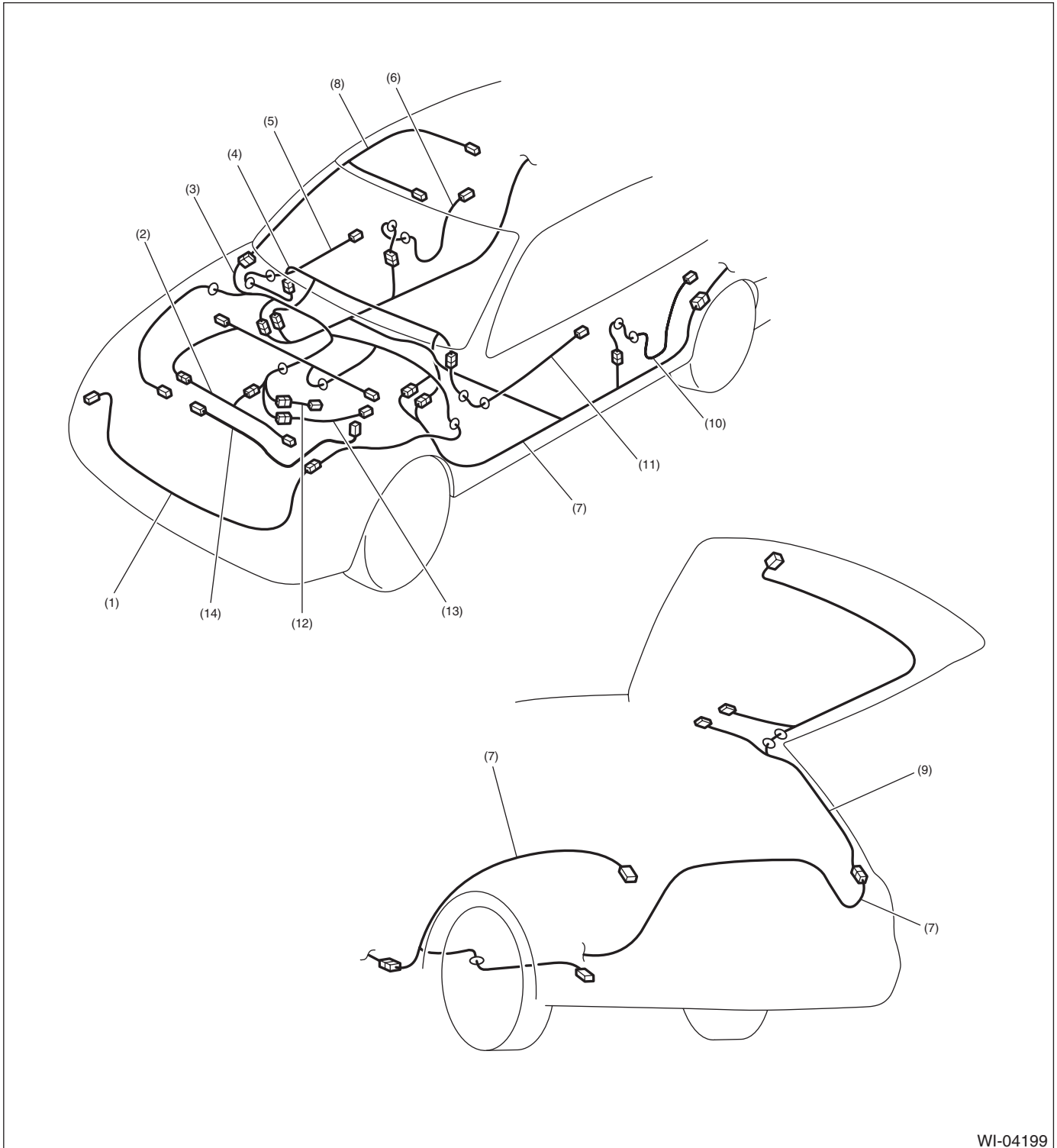
2. RHD SEDAN MODEL



WI-04198

- | | | |
|-------------------------------------|-------------------------|------------------------------|
| (1) Front wiring harness | (6) Rear door cord RH | (11) Front door cord LH |
| (2) Engine wiring harness | (7) Rear wiring harness | (12) Transmission cord |
| (3) Bulkhead wiring harness | (8) Roof cord | (13) Rear oxygen sensor cord |
| (4) Instrument panel wiring harness | (9) Trunk lid cord | (14) Generator cord |
| (5) Front door cord RH | (10) Rear door cord LH | |

3. LHD WAGON MODEL



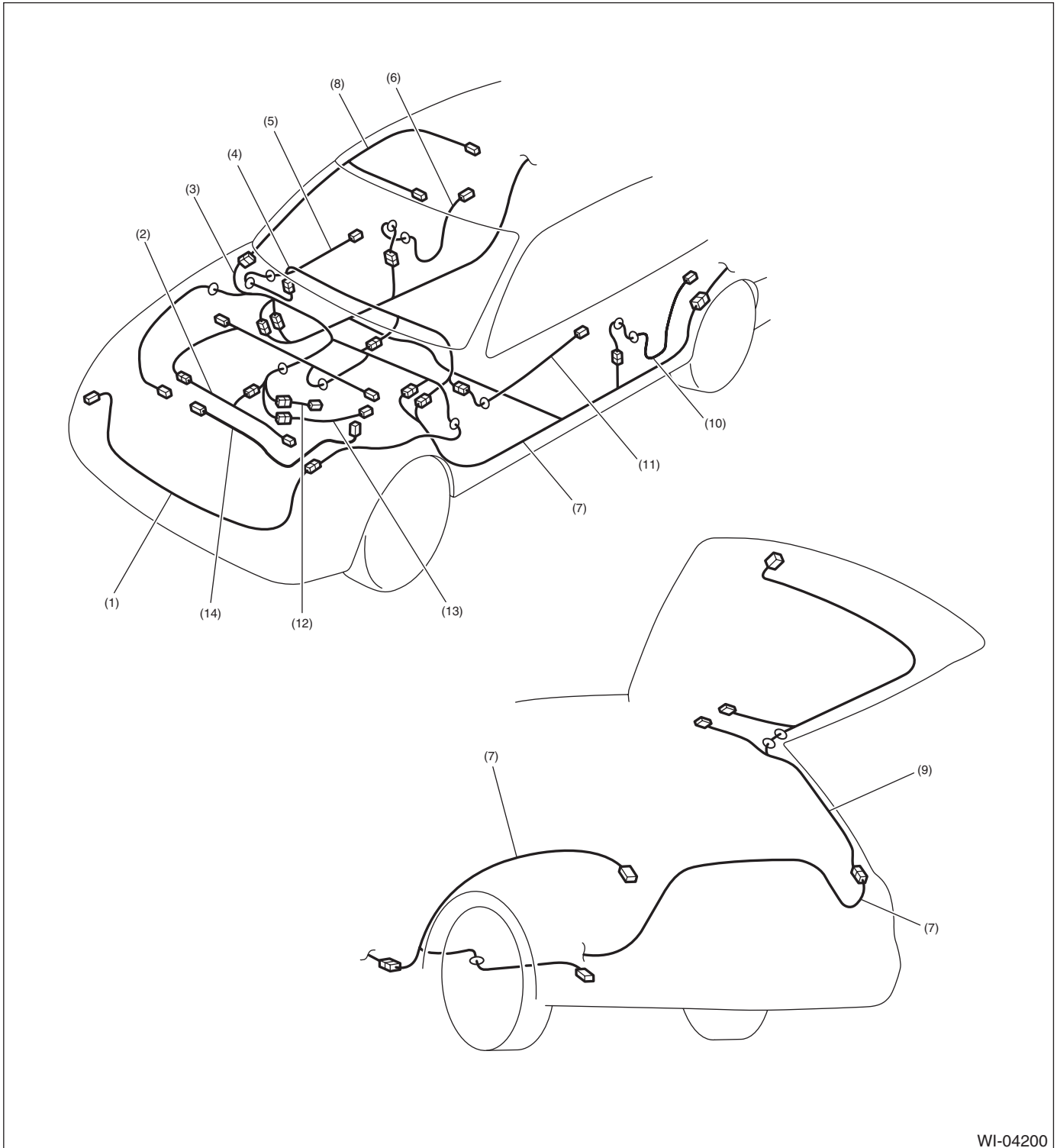
WI-04199

- | | | |
|-------------------------------------|-------------------------|------------------------------|
| (1) Front wiring harness | (6) Rear door cord RH | (11) Front door cord LH |
| (2) Engine wiring harness | (7) Rear wiring harness | (12) Transmission cord |
| (3) Bulkhead wiring harness | (8) Roof cord | (13) Rear oxygen sensor cord |
| (4) Instrument panel wiring harness | (9) Rear gate cord | (14) Generator cord |
| (5) Front door cord RH | (10) Rear door cord LH | |

Harness Components Location

WIRING SYSTEM

4. RHD WAGON MODEL



WI-04200

- | | | |
|-------------------------------------|-------------------------|------------------------------|
| (1) Front wiring harness | (6) Rear door cord RH | (11) Front door cord LH |
| (2) Engine wiring harness | (7) Rear wiring harness | (12) Transmission cord |
| (3) Bulkhead wiring harness | (8) Roof cord | (13) Rear oxygen sensor cord |
| (4) Instrument panel wiring harness | (9) Rear gate cord | (14) Generator cord |
| (5) Front door cord RH | (10) Rear door cord LH | |

51. Front Wiring Harness

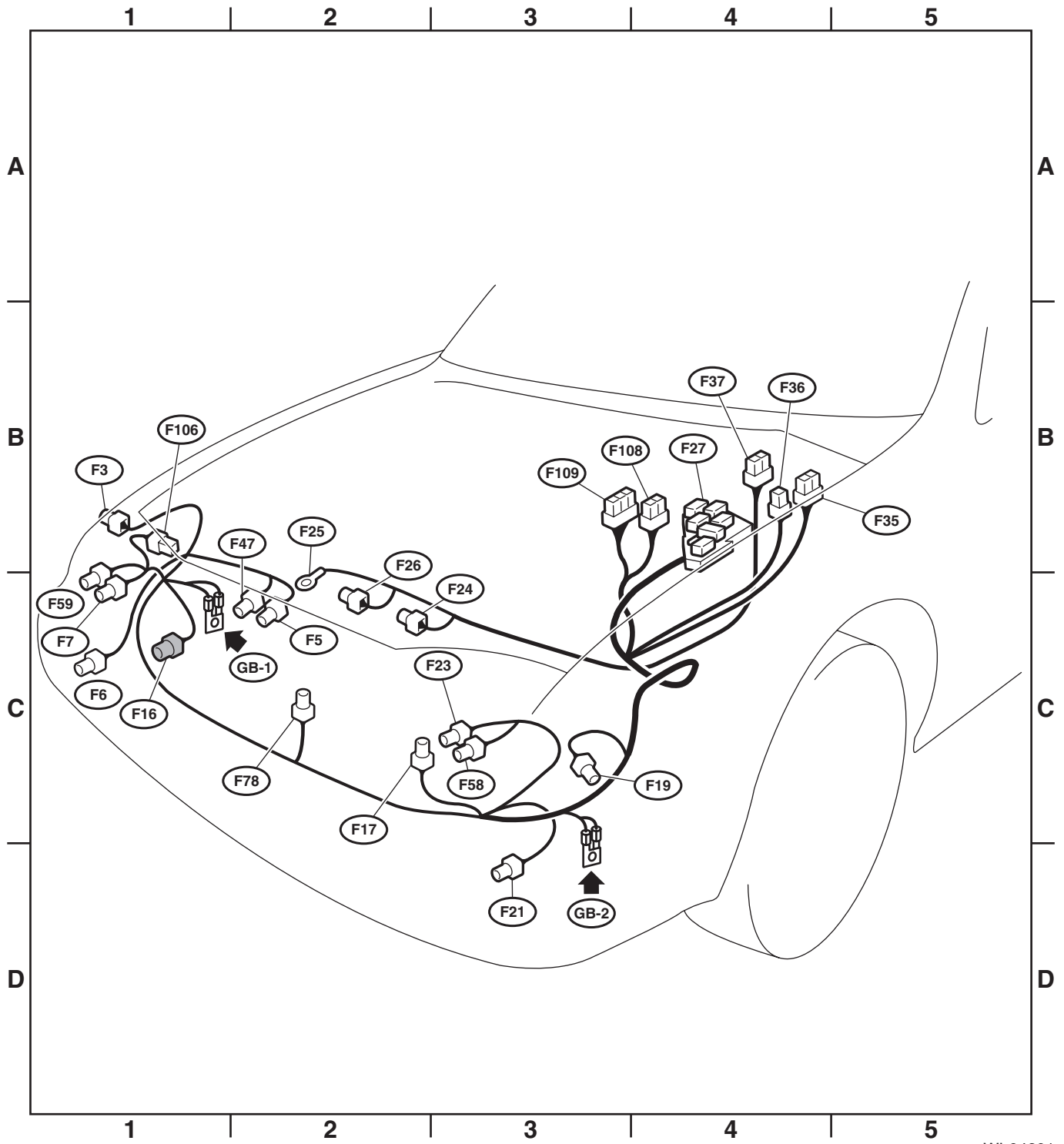
A: LOCATION

Connector				Connecting to	
No.	Pole	Color	Area	No.	Description
F3	2	Gray	B-1		Front turn signal light RH
F5	1	Black	C-2		Horn
F6	2	★	C-1		Front fog light RH
F7	6	★	C-1		Headlight and front clearance light RH
F16	2	Black	C-1		Sub fun motor (H4 model)
F17	2	Black	C-2		Main fun motor (H4 model)
F19	2	Gray	C-3		Front turn signal light LH
F21	2	★	D-3		Front fog light LH
F23	6	★	C-3		Headlight and front clearance light LH
F24	2	★	C-2		A/C compressor
F25	1	★	C-2		Generator terminal B
F26	3	★	C-2		Generator
F27	31	★	B-4		Relay holder
F35	12	Blue	B-4		Main fuse box (M/B)
F36	7	★	B-4		
F37	20	★	B-4		
F47	1	Black	C-2		Horn
F58	3	★	C-3		Headlight leveler LH
F59	3	★	C-1		Headlight leveler RH
F78	2	Black	C-2		Ambient sensor
F106	3	★	B-1		PWM controller (H6 model)
F108	18	★	B-4	B361	Through joint connector
F109	24	★	B-3	B360	

★: Non-colored

Front Wiring Harness

WIRING SYSTEM



WI-04201

Bulkhead Wiring Harness (In Engine Compartment)

WIRING SYSTEM

52. Bulkhead Wiring Harness (In Engine Compartment)

A: LOCATION

1. LHD MODEL

Connector				Connecting to	
No.	Pole	Color	Area	No.	Description
B3	5	★	B-2		Mass air flow sensor
B6	2	Brown	B-2		Front ABS wheel speed sensor RH
B8	5	★	B-4		Front wiper motor
B10	4	★	B-4		A/C pressure switch
B11	20	Gray	B-3	T4	Transmission (AT model)
B12	12	★	B-3	T3	
B14	1	Black	B-3		Starter (Magnet)
B15	2	Brown	B-4		Front ABS wheel speed sensor LH
B16	2	Gray	B-4		Brake fluid level switch
B19	4	★	B-2	T5	Rear oxygen sensor cord (H4 model)
B20	16	★	B-3	E1	Engine wiring harness
B21	54	★	B-3	E2	
B22	16	Brown	B-3	E3	Engine wiring harness (H6 model)
B24	2	Gray	B-3	T1	Back-up light switch (MT model)
B25	2	Brown	B-4	T2	Neutral position switch (MT model)
B29	2	Black	B-3	T8	LO (AWD) switch (MT model)
B143	20	★	B-4		Main fuse box (M/B)
B144	9	Brown	B-4		
B145	7	Brown	B-4		
B146	2	Gray	C-4		Front washer motor
B147	2	Gray	C-4		Rear washer motor
B186	8	Black	B-4		Main fuse box (M/B)
B301	26	★	B-2		ABS control module
B310	42	★	B-2		VDC control module
B312	2	★	B-2	B347	Shield joint connector (VDC)
B347	2	★	B-2	B312	
B348	3	★	B-2		Pressure sensor
B360	16	Gray	B-4	F109	Through joint connector
B361	14	Gray	B-4	F108	
B367	2	★	B-4		Heater cock solenoid (EC, K4 model)

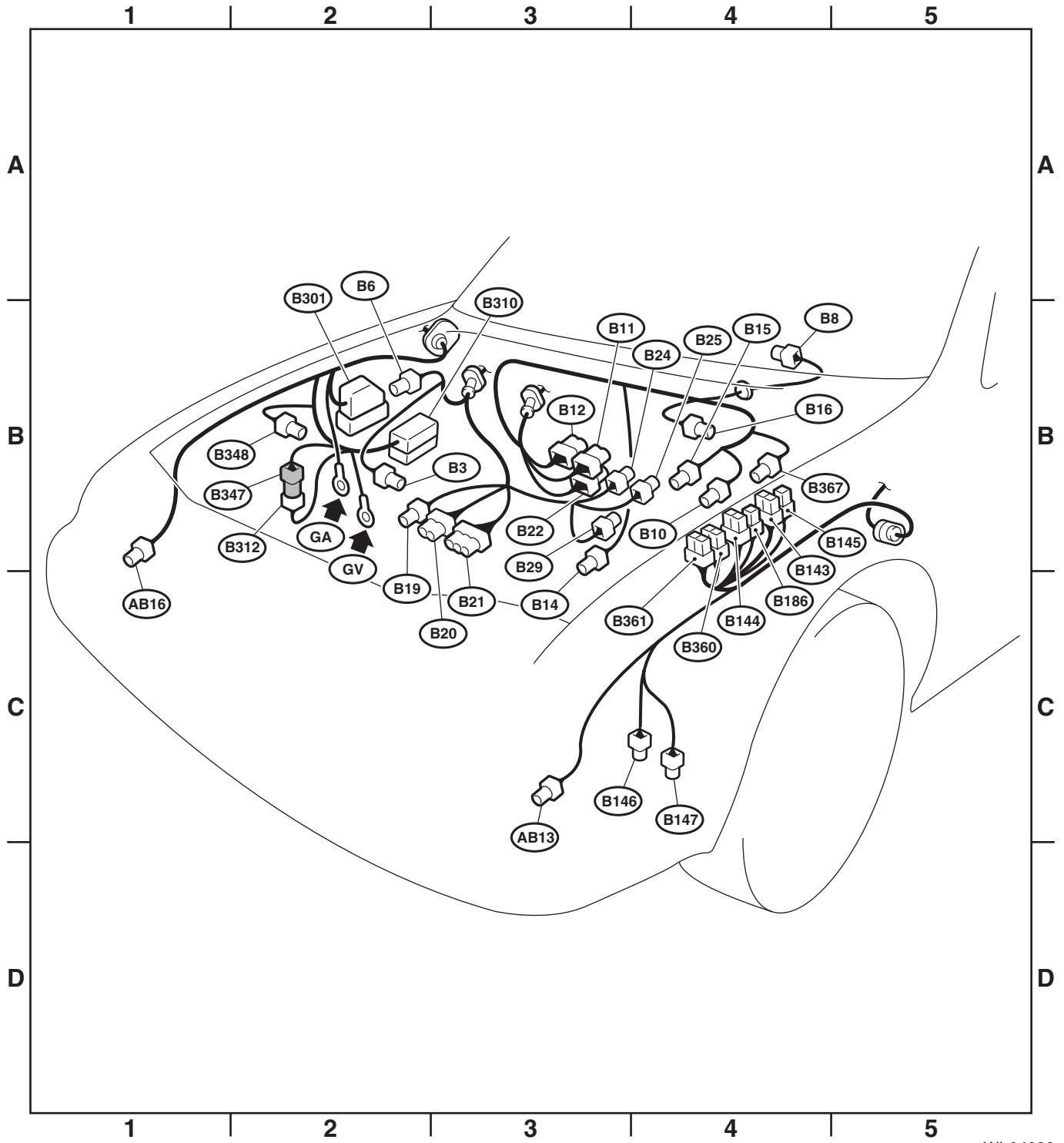
★: Non-colored

Connector				Connecting to	
No.	Pole	Color	Area	No.	Description
AB13	2	Yellow	C-3		Front sub sensor LH
AB16	2	Yellow	B-1		Front sub sensor RH

★: Non-colored

Bulkhead Wiring Harness (In Engine Compartment)

WIRING SYSTEM



WI-04202

Bulkhead Wiring Harness (In Engine Compartment)

WIRING SYSTEM

2. RHD NON-TURBO MODEL

Connector				Connecting to	
No.	Pole	Color	Area	No.	Description
B3	5	★	B-2		Mass air flow sensor (2.5 L EK model and 3.0 L model)
B6	2	★	B-2		Front ABS wheel speed sensor RH
B8	5	★	B-3		Front wiper motor
B10	4	★	B-4		A/C pressure switch
B11	20	Gray	B-3	T4	Transmission (AT model)
B12	12	★	B-3	T3	
B14	1	Black	B-4		Starter (Magnet)
B15	2	★	B-4		Front ABS wheel speed sensor LH
B16	2	Gray	B-3		Brake fluid level switch
B19	4	★	B-2	T5	Rear oxygen sensor cord (H4 model)
B20	16	★	B-3	E1	Engine wiring harness
B21	54	★	B-3	E2	
B22	16	★	B-3	E3	Engine wiring harness (H6 model)
B24	2	Gray	B-3	T1	Back-up light switch (MT model)
B25	2	Brown	B-4	T2	Neutral position switch (MT model)
B29	2	Black	B-3	T8	LO (AWD) switch (MT model)
B143	20	★	B-4		Main fuse box (M/B)
B144	9	Brown	B-4		
B145	7	Brown	B-4		
B146	2	★	C-4		Front washer motor
B147	2	★	C-4		Rear washer motor
B186	8	★	B-4		Main fuse box (M/B)
B301	26	★	B-2		ABS control module
B310	42	★	B-2		VDC control module
B312	2	★	B-2	B347	Shield joint connector (VDC)
B347	2	★	B-2	B312	
B348	3	★	B-2		Pressure sensor
B360	16	Gray	B-4	F109	Through joint connector
B361	14	★	B-4	F108	
B367	2	★	B-4		Heater cock solenoid (EK model)

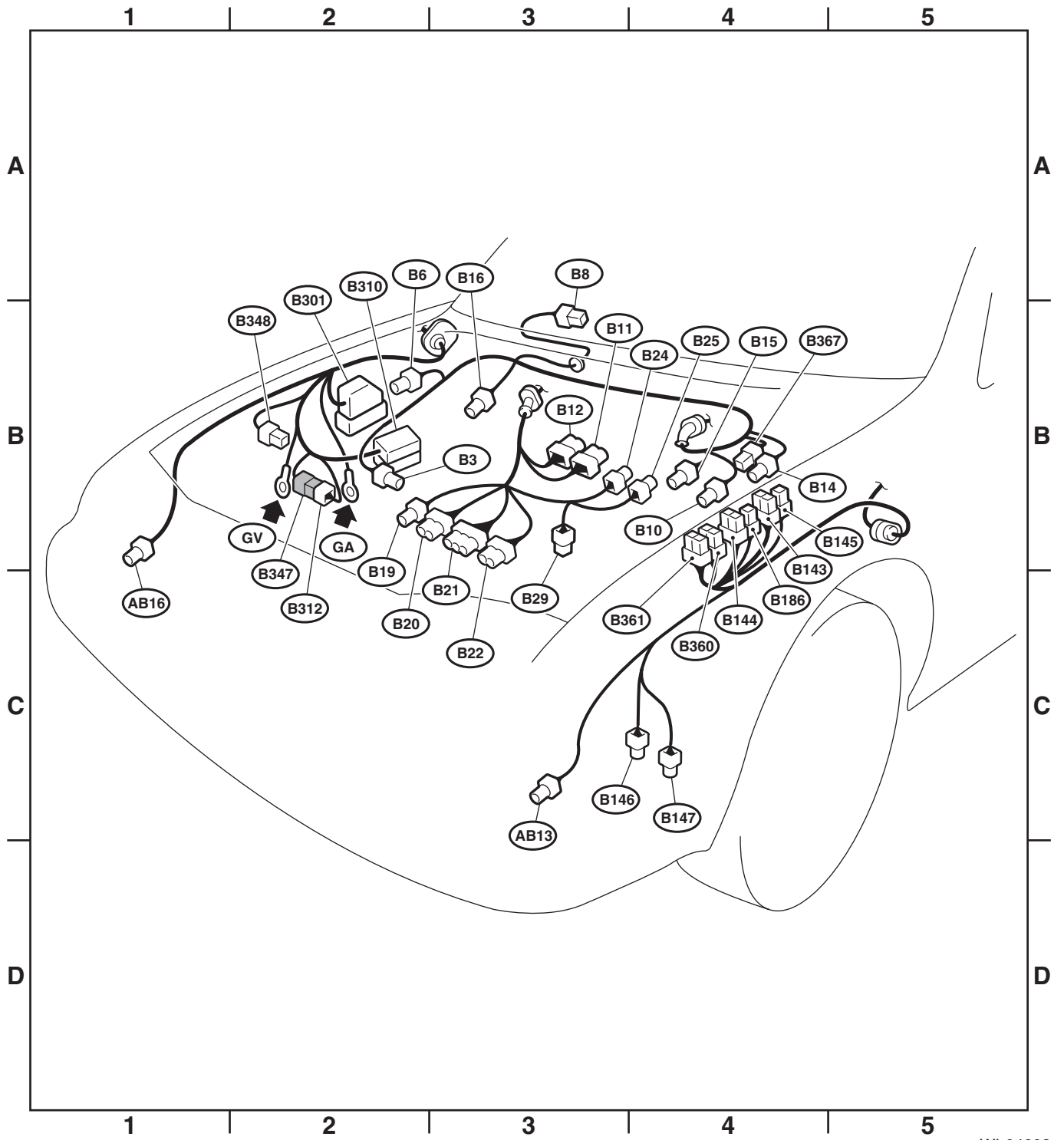
★: Non-colored

Connector				Connecting to	
No.	Pole	Color	Area	No.	Description
AB13	2	Yellow	C-3		Front sub sensor LH
AB16	2	Yellow	B-1		Front sub sensor RH

★: Non-colored

Bulkhead Wiring Harness (In Engine Compartment)

WIRING SYSTEM



WI-04203

Bulkhead Wiring Harness (In Engine Compartment)

WIRING SYSTEM

3. RHD TURBO MODEL

Connector				Connecting to	
No.	Pole	Color	Area	No.	Description
B3	5	★	B-2		Mass air flow sensor
B6	2	★	B-2		Front ABS wheel speed sensor RH
B8	5	★	B-3		Front wiper motor
B10	4	★	B-4		A/C pressure switch
B11	20	Gray	B-3	T4	Transmission (AT model)
B12	8	★	B-3	T3	
B14	1	Black	B-4		Starter (Magnet)
B15	2	★	B-4		Front ABS wheel speed sensor LH
B16	2	Gray	B-3		Brake fluid level switch
B18	4	★	B-3		Front oxygen (A/F) sensor
B19	4	★	B-2	T5	Rear oxygen sensor cord
B20	16	★	B-3	E1	Engine wiring harness
B21	54	★	B-3	E2	
B143	20	★	B-4		Main fuse box (M/B)
B144	9	Brown	B-4		
B145	7	Brown	B-4		
B146	2	★	C-4		Front washer motor
B147	2	★	C-4		Rear washer motor
B186	8	★	B-4		Main fuse box (M/B)
B301	26	★	B-2		ABS control module
B360	16	Gray	B-4	F109	Through joint connector
B361	14	★	B-4	F108	

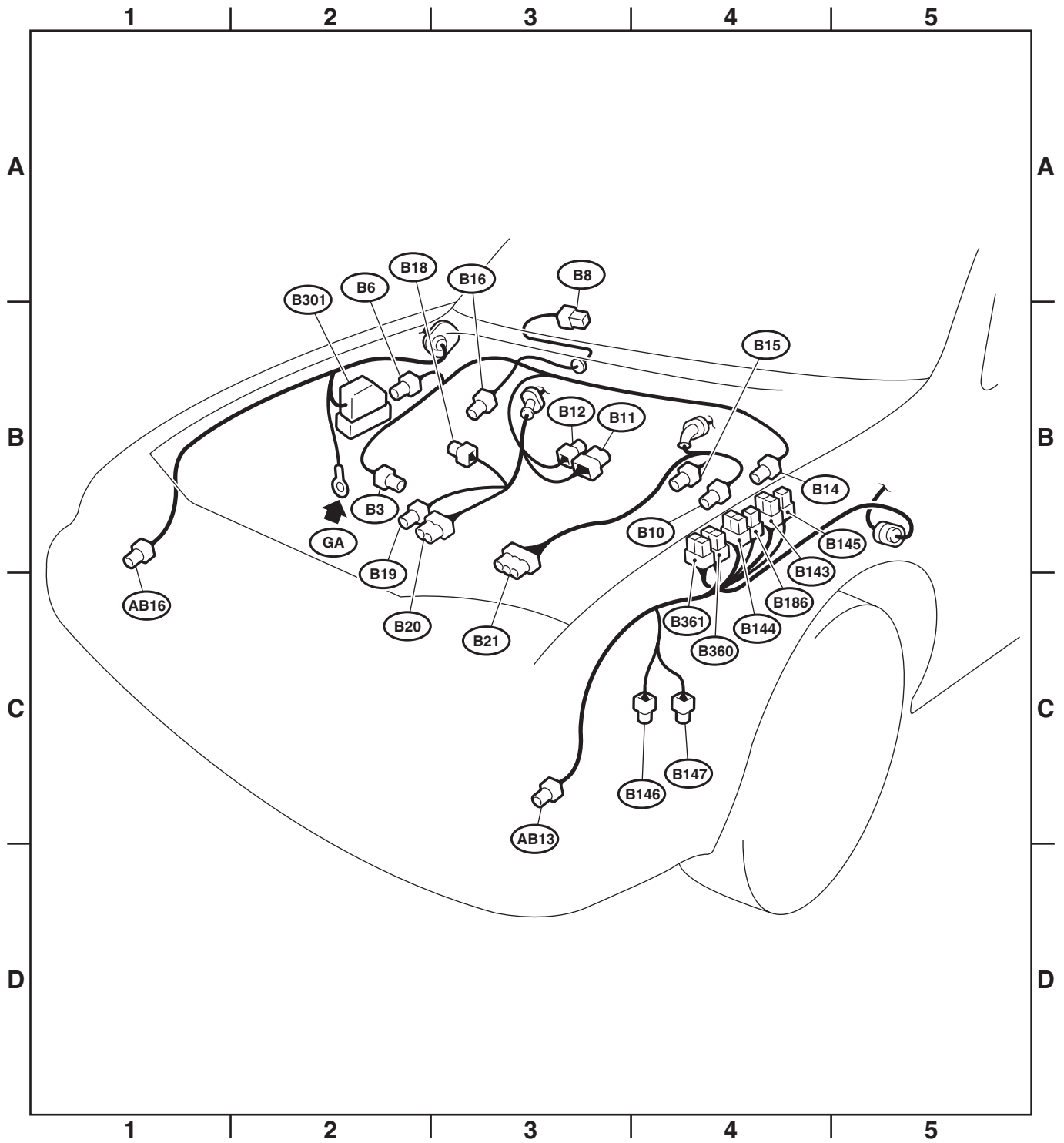
★: Non-colored

Connector				Connecting to	
No.	Pole	Color	Area	No.	Description
AB13	2	Yellow	C-3		Front sub sensor LH
AB16	2	Yellow	B-1		Front sub sensor RH

★: Non-colored

Bulkhead Wiring Harness (In Engine Compartment)

WIRING SYSTEM



WI-04204

53. Bulkhead Wiring Harness (In Compartment)

A: LOCATION

1. LHD MODEL

Connector				Connecting to	
No.	Pol e	Color	Area	No.	Description
B31	6	Yellow	C-1	AB1	Airbag wiring harness
B32	8	★	C-2		Turn signal and hazard unit
B36	28	★	B-2	i1	Instrument panel wiring harness
B37	8	★	C-5	i2	Instrument panel wiring harness (Manual A/C)
B38	20	★	B-5	i3	Instrument panel wiring harness
B40	16	★	C-2		Data link connector
B41	2	★	B-2		Power window circuit breaker
B47	6	Brown	B-5		Main relay
B52	24	★	C-2		Fuse & relay box (F/B)
B53	20	★	C-3		Shield joint connector (4-speed AT model)
B54	24	★	C-3		TCM
B55	24	Gray	C-3		TCM (5-speed AT model)
	31	★			TCM (4-speed AT model)
B64	2	Black	B-3		Stop light switch
B65	4	Black	B-3		Stop and brake switch (Model with cruise control)
B68	8	★	B-3		Roll connector
B69	4	★	B-3		Parking switch
B70	18	★	B-3		Combination switch
B71	17	★	B-3		
B72	6	★	B-3		Ignition switch
B75	2	Green	C-4	B76	Test mode connector
B76	2	Green	C-4	B75	
B77	10	★	B-4		Mode actuator (Manual A/C)
	5	★			Mode actuator (Auto A/C)
B79	14	Gray	C-3		Line end check connector
B81	1×2	★	C-2		Diagnosis terminal
B82	8	★	C-2		Diagnosis connector
B83	2	★	C-5		Joint connector
B85	4	★	B-2		Diode (Light)

Connector				Connecting to	
No.	Pol e	Color	Area	No.	Description
B86	2	★	B-4		Blower motor resistor
B87	2	Black	B-5		Blower fan motor
B88	5	★	B-4		Evaporator thermo switch (Manual A/C)
	2	★			Evaporator thermo switch (Auto A/C)
B90	8	★	B-5	R50	Roof cord
B91	7	Green	B-4		FRESH/RECIRC actuator
B97	16	★	C-1	R1	Rear wiring harness
B98	16	★	B-5	R2	
B107	2	Blue	B-2		Clutch switch (Model with cruise control)
B116	10	★	D-4		Select lever (AT model)
B122	8	★	C-5		Joint connector (E/G)
B134	34	★	C-4		ECM
B135	35	★	C-4		ECM
B136	35	★	C-4		ECM
B137	31	★	C-4		ECM
B138	8	★	C-5		Joint connector (H4 model)
B152	10	★	C-2		Fuse & relay box (F/B)
B158	8	★	C-2		Fuse & relay box (F/B)
B159	9	★	C-2		Fuse & relay box (F/B)
B177	2	★	B-4		Wiper deicer
B183	1	★	B-1	B184	Keyless entry connector
B184	1	★	C-1	B183	
B224	2	★	B-4		Key switch illumination
B225	40	★	C-2		Fuse (Relay block)
		★			Mirror heater relay
		★			Starter relay
		★			Front fog light relay
		★			Power window relay
		★			Blower fan relay
		★			Rear fog light relay
		★			Wiper deicer relay
		★			Seat heater relay
		B228		15	★
B229	2	★	B-2		Diode (Parking brake)
B230	6	★	D-4		Yaw rate sensor (VDC)
B231	4	★	B-4		Steering angle sensor (VDC)
B234	8	★	B-4		CAN joint connector (VDC)

Bulkhead Wiring Harness (In Compartment)

WIRING SYSTEM

Connector				Connecting to	
No.	Pole	Color	Area	No.	Description
B235	7	Green	B-4		Air mix actuator (Auto A/C)
B280	30	★	C-3		Body integrated unit
B281	28	★	C-3		
B282	16	★	B-4		Auto A/C control module
B283	20	★	B-4		
B292	3	★	D-4		ABS G sensor
B315	6	★	B-3		Accelerator pedal position sensor
B327	6	Brown	B-5		Oxygen (A/F) heater relay (2.5 L EC, EK model and 3.0 L model)
B349	2	★	B-3		Diode (Wiper)
B350	4	★	B-3		Key actuator
B351	2	★	B-4		Antenna (Model with immobilizer)
B352	8	★	C-3		CAN joint connector
B355	8	★	B-3		CAN joint connector (TCM)
B356	4	★	C-3		Back-up light relay (5-speed AT model)
B357	4	★	C-3		P-VIGN relay (5-speed AT model)
B358	2	★	C-4		Select lever illumination (AT model)
B359	3	★	D-4		G sensor (AT model)
B362	8	★	B-5		Relay holder
B366	26	★	B-2		Sub-con module (H6 model)
B368	2	★	C-1	B369	Test mode connectors
B369	2	★	C-1	B368	

★: Non-colored

Connector				Connecting to	
No.	Pole	Color	Area	No.	Description
AB1	6	Yellow	C-1	B31	Bulkhead wiring harness
AB2	4	Yellow	B-4	AB7	Inflator (Driver's side)
AB6	28	Yellow	C-4		Airbag control module
AB9	4	Yellow	B-5	AB10	Inflator (Passenger's side)
AB35	2	Yellow	B-2		Fuse & relay box (F/B)

★: Non-colored

Bulkhead Wiring Harness (In Compartment)

WIRING SYSTEM

2. RHD MODEL

Connector				Connecting to	
No.	Pol e	Colo r	Area	No.	Description
B31	6	Yel-low	B-3	AB1	Airbag wiring harness
B32	8	★	B-4		Turn signal and hazard unit
B36	28	★	B-4	i1	Instrument panel wiring harness
B37	8	★	B-2	i2	Instrument panel wiring harness (Manual A/C)
B38	20	★	B-2	i3	Instrument panel wiring harness
B40	16	★	B-4		Data link connector
B41	2	★	C-4		Power window circuit breaker
B47	6	★	C-1		Main relay
B52	24	★	B-4		Fuse & relay box (F/B)
B53	20	★	B-3		Shield joint connector (AT model)
B54	24	★	B-3		TCM
B55	24	Gray	B-3		TCM (Turbo model and H6 model)
	31	★			TCM (H4 model and Non-turbo model)
B64	2	Blac k	C-3		Stop light switch
B65	4	Blac k	C-3		Stop and brake switch (Model with cruise control)
B68	8	★	C-3		Roll connector
B69	4	★	C-3		Parking switch
B70	18	★	C-3		Combination switch
B71	17	★	C-3		
B72	6	★	B-4		
B75	2	Gre en	B-3	B76	Test mode connector
B76	2	Gre en	B-3	B75	
B77	10	★	B-2		Mode actuator (Manual A/C)
	5	★			Mode actuator (Auto A/C)
B79	14	Gray	B-3		Line end check connector
B81	1×2	★	C-4		Diagnosis terminal
B82	8	★	C-4		Diagnosis connector
B83	8	★	C-1		Joint connector
B85	2	★	B-4		Diode (Light)
B86	4	★	B-3		Blower motor resistor
B87	2	Blac k	B-2		Blower fan motor

Connector				Connecting to	
No.	Pol e	Colo r	Area	No.	Description
B88	5	★	C-3		Evaporator thermo switch (Manual A/C)
	2	★			Evaporator thermo switch (Auto A/C)
B90	8	★	B-4	R50	Roof cord
B91	7	Gre en	C-2		FRESH/RECIRC actuator
B97	20	★	C-5	R1	Rear wiring harness
B98	8	★	C-1	R2	
B107	2	Blue	B-3		Clutch switch (Model with cruise control)
B116	10	★	C-3		Select lever (AT model)
B122	8	★	C-1		Joint connector (E/G)
B125	1	Blac k	B-3	B126	Clear memory connector
B126	1	Blac k	B-3	B125	
B134	34	★	B-2		ECM
B135	35	★	C-2		ECM
B136	35	★	C-2		ECM
B137	31	★	C-2		ECM
B138	8	★	C-1		Joint connector
B152	10	★	B-5		Fuse & relay box (F/B)
B158	8	★	B-5		Fuse & relay box (F/B)
B159	9	Bro wn	B-4		Fuse & relay box (F/B)
B177	2	★	B-1		Wiper deicer
B183	1	★	C-5	B184	Keyless entry connector
B184	1	★	C-5	B183	
B224	2	★	C-4		Key switch illumination
B225	40	★	C-4		Fuse (Relay block)
		★		Mirror heater relay	
		★		Starter relay	
		★		Front fog light relay	
		★		Power window relay	
		★		Blower fan relay	
		★		Rear fog light relay	
		★		Wiper deicer relay	
B228	15	★	C-4		OP connector
B229	2	★	B-4		Diode (Parking brake)
B230	6	★	C-2		Yaw rate sensor
B231	4	★	C-4		Steering angle sensor (VDC)
B234	6	★	C-4		CAN joint connector (VDC)
B235	7	★	C-2		Air mix actuator (Auto A/C)
B280	30	★	B-4		Body integrated unit
B281	28	★	B-4		

Bulkhead Wiring Harness (In Compartment)

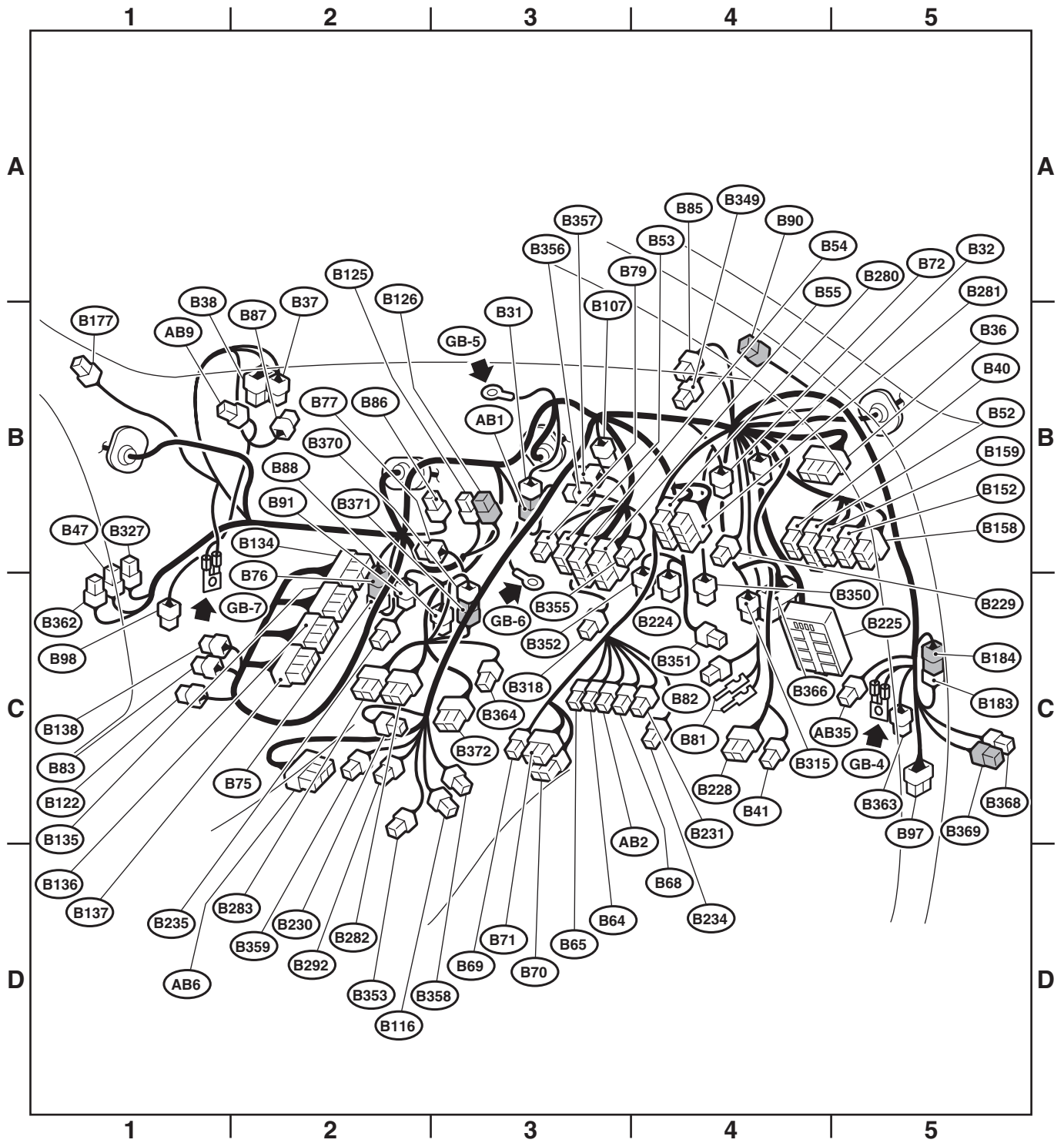
WIRING SYSTEM

Connector				Connecting to	
No.	Pol e	Colo r	Area	No.	Description
B282	16	★	C-2		Auto A/C control module
B283	20	★	C-2		
B292	3	★	C-2		ABS G sensor
B315	6	★	C-4		Accelerator pedal position sensor
B318	4	★	C-3		VDC OFF switch
B327	6	★	B-1		Oxygen (A/F) heater relay (2.5 L EK model and 3.0 L model)
B349	2	★	B-4		Diode (Wiper)
B350	4	★	C-4		Key actuator
B351	2	★	C-4		Antenna (Model with immobilizer)
B352	8	★	C-4		CAN joint connector
B355	8	★	B-3		CAN joint connector (5-speed AT model)
B356	4	★	B-3		Back-up light relay (5-speed AT model)
B357	4	★	B-3		P-VIGN relay (5-speed AT model)
B358	2	★	C-3		Select lever illumination (AT model)
B359	3	★	C-2		G sensor (AT model)
B362	8	★	C-1		Relay holder
B363	8	★	C-5		CAN analyzer
B364	4	★	C-3		RAM monitor (Auto A/C)
B366	26	★	C-4		LAN unit
B368	2	Green	C-5	B369	Test mode sub connectors
B369	2	Green	C-5	B368	
B370	2	★	C-3	B371	Starter cut connector (EK model)
B371	2	★	C-3	B370	
B372	20	★	C-3		Alarm control module
★: Non-colored					

Connector				Connecting to	
No.	Pol e	Colo r	Area	No.	Description
AB1	6	Yellow	B-3	B31	Bulkhead wiring harness
AB2	4	Yellow	C-3	AB7	Inflator (Driver's side)
AB6	28	Yellow	C-2		Airbag control module
AB9	4	Yellow	B-2	AB10	Inflator (Passenger's side)
AB35	2	Yellow	C-5		Fuse & relay box (F/B)
★: Non-colored					

Bulkhead Wiring Harness (In Compartment)

WIRING SYSTEM



WI-04206

54.Engine Wiring Harness and Transmission Cord

A: LOCATION

1. 2.0 L SOHC NON-TURBO MODEL AND 2.5 L KS, KA MODEL

Connector				Connecting to	
No.	Pole	Color	Area	No.	Description
E1	16	Brown	A-3	B20	Bulkhead wiring harness
E2	54	Black	A-3	B21	
E4	2	Blue	A-2		CPC Solenoid
E5	2	Dark gray	B-1		Fuel injector No. 1
E6	2	Dark gray	A-2		Fuel injector No. 3
E8	2	Black	B-2		Engine coolant temperature sensor and thermometer
E10	2	Light gray	B-3		Crankshaft position sensor
E11	1	★	B-2		Oil pressure switch
E12	4	Dark gray	A-2		Ignition coil & Ignitor ASSY
E14	2	Brown	A-4		Knock sensor
E15	2	Gray	B-4		Camshaft position sensor
E16	2	Dark gray	B-4		Fuel injector No. 2
E17	2	Dark gray	B-4		Fuel injector No. 4
E19	1	★	B-2		Power steering oil pressure switch
E20	2	Black	A-3		Intake air temperature sensor
E21	3	Gray	A-3		Manifold absolute pressure sensor
E24	4	Gray	B-2		Front oxygen (A/F) sensor
E78	6	Black	A-3		ETB

★: Non-colored

• AT model

Connector				Connecting to	
No.	Pole	Color	Area	No.	Description
T3	12	★	D-4	B12	Bulkhead wiring harness
T4	20	Black	D-4	B11	
T5	4	Green	C-3	B19	
T6	4	Dark gray	D-5		Rear oxygen sensor
T7	12	★	D-4		Inhibitor switch

★: Non-colored

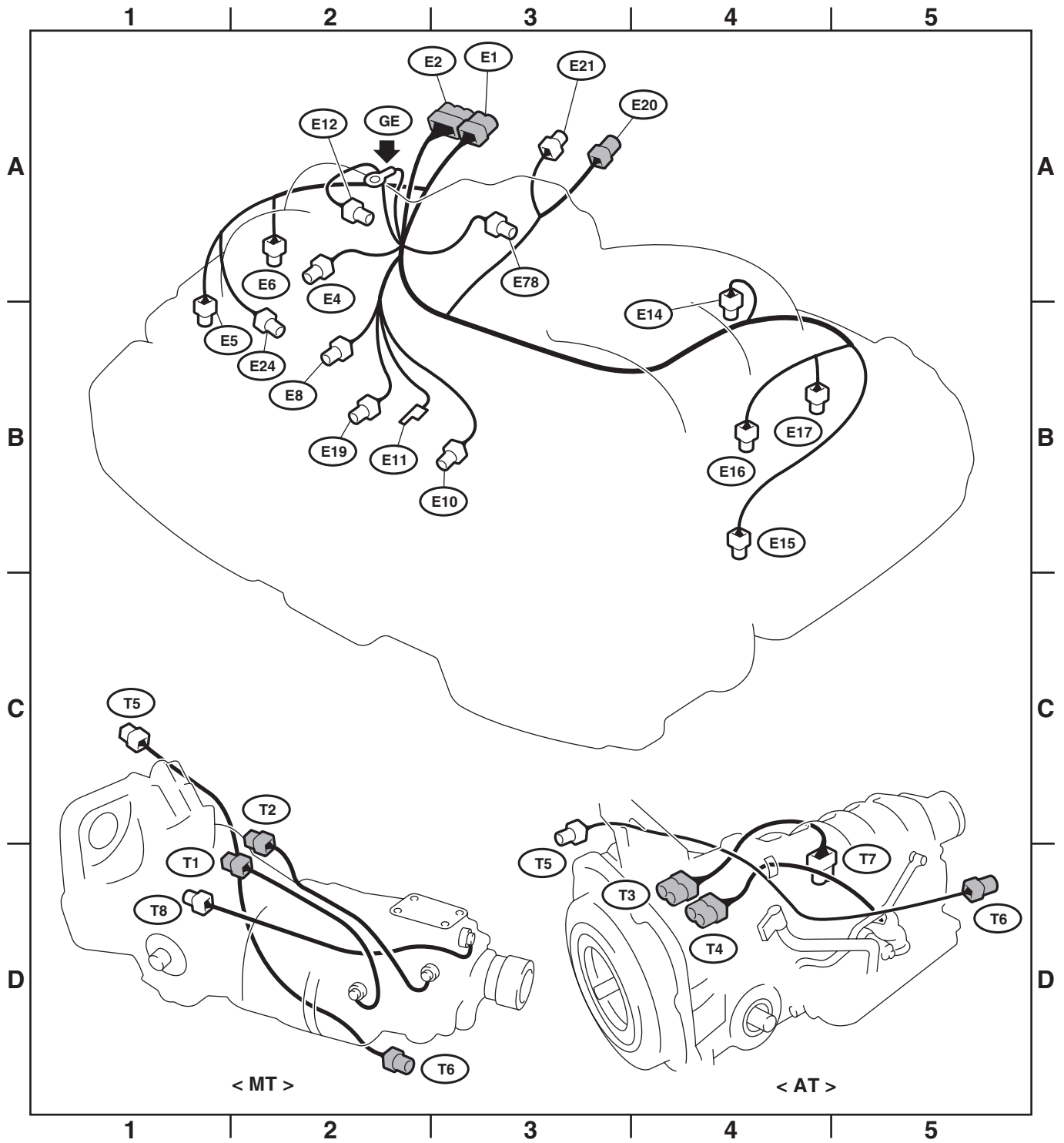
• MT model

Connector				Connecting to	
No.	Pole	Color	Area	No.	Description
T1	2	Gray	D-2	B24	Bulkhead wiring harness
T2	2	Brown	C-2	B25	
T5	4	Gray	C-1	B19	
T6	4	Gray	D-2		Rear oxygen sensor
T8	2	Black	D-1	B29	LO (AWD) switch

★: Non-colored

Engine Wiring Harness and Transmission Cord

WIRING SYSTEM



WI-04207

Engine Wiring Harness and Transmission Cord

WIRING SYSTEM

2. 2.5 L EC, K4, EK MODEL

Connector				Connecting to	
No.	Pole	Color	Area	No.	Description
E1	16	Brown	A-3	B20	Bulkhead wiring harness
E2	54	Black	A-3	B21	
E4	2	Blue	A-2		CPC Solenoid
E5	2	Dark gray	B-1		Fuel injector No. 1
E6	2	Dark gray	A-2		Fuel injector No. 3
E8	2	Black	B-2		Engine coolant temperature sensor and thermometer
E10	2	Light gray	B-3		Crankshaft position sensor
E11	1	★	B-2		Oil pressure switch
E12	4	Dark gray	A-2		Ignition coil & Ignitor ASSY
E14	2	Brown	A-4		Knock sensor
E15	2	Gray	B-4		Camshaft position sensor
E16	2	Dark gray	B-4		Fuel injector No. 2
E17	2	Dark gray	B-4		Fuel injector No. 4
E18	6	Dark gray	B-4		EGR valve
E19	1	★	B-2		Power steering oil pressure switch
E21	3	Black	A-3		Manifold absolute pressure sensor
E24	6	Gray	B-2		Front oxygen (A/F) sensor
E50	3	Black	A-4		TGV angle sensor LH
E51	2	Black	B-3		TGV LH
E54	3	Black	A-3		TGV angle sensor RH
E55	2	Black	B-1		TGV RH
E57	6	Black	A-3		Electronic throttle control

★: Non-colored

• AT model

Connector				Connecting to	
No.	Pole	Color	Area	No.	Description
T3	12	★	D-4	B12	Bulkhead wiring harness
T4	20	Black	D-4	B11	
T5	4	Green	C-3	B19	
T6	4	Dark gray	D-5		Rear oxygen sensor
T7	12	★	D-4		Inhibitor switch

★: Non-colored

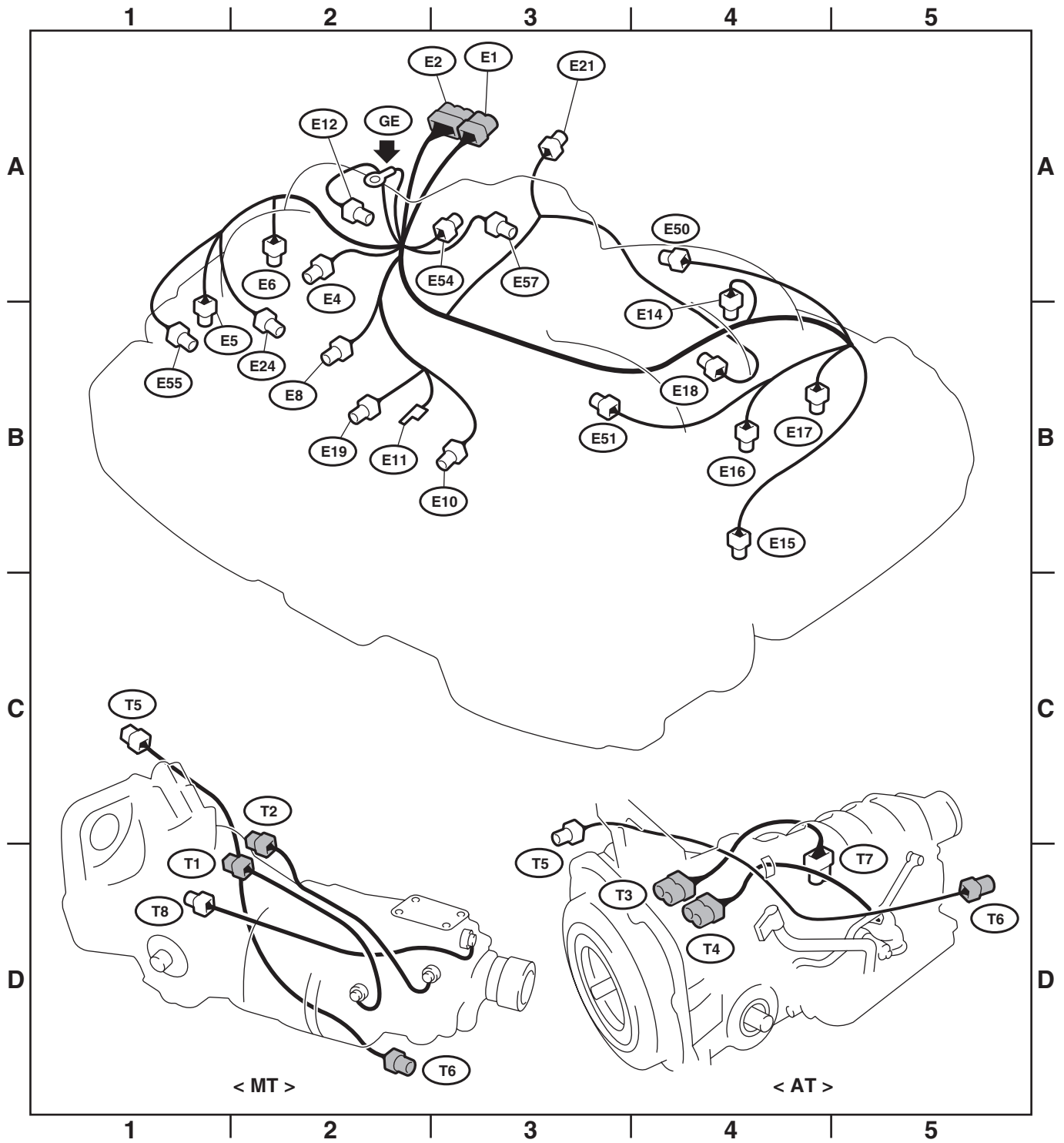
• MT model

Connector				Connecting to	
No.	Pole	Color	Area	No.	Description
T1	2	Gray	D-2	B24	Bulkhead wiring harness
T2	2	Brown	C-2	B25	
T5	4	Gray	C-1	B19	
T6	4	Gray	D-2		Rear oxygen sensor
T8	2	Black	D-1	B29	LO (AWD) switch

★: Non-colored

Engine Wiring Harness and Transmission Cord

WIRING SYSTEM



WI-04208

Engine Wiring Harness and Transmission Cord

WIRING SYSTEM

3. TURBO MODEL

Connector				Connecting to	
No.	Pole	Color	Area	No.	Description
E1	16	Brown	A-2	B20	Bulkhead wiring harness
E2	54	Black	B-5	B21	
E4	2	Black	B-2		CPC Solenoid
E5	2	Light gray	B-1		Fuel injector No. 1
E6	2	Black	A-1		Fuel injector No. 3
E8	2	Black	B-2		Engine coolant temperature sensor and thermometer
E10	2	Light gray	B-3		Crankshaft position sensor
E11	1	★	B-2		Oil pressure switch
E14	2	Brown	A-3		Knock sensor
E16	2	Light gray	B-4		Fuel injector No. 2
E17	2	Black	B-4		Fuel injector No. 4
E19	1	★	B-2		Power steering oil pressure switch
E21	3	Black	A-3		Manifold absolute pressure sensor
E31	3	★	B-2		Ignition coil No. 1
E32	3	★	B-4		Ignition coil No. 2
E33	3	Black	A-2		Ignition coil No. 3
E34	3	Black	B-4		Ignition coil No. 4
E35	3	Light gray	A-4		Intake camshaft position sensor LH
E36	3	Light gray	A-2		Intake camshaft position sensor RH
E37	2	Blue	B-4		Intake oil flow control solenoid valve LH
E38	2	Blue	B-1		Intake oil flow control solenoid valve RH
E57	6	Black	A-3		Electronic throttle control
E62	2	Light gray	B-2		Exhaust camshaft position sensor RH
E63	2	Blue	B-2		Exhaust oil flow control solenoid valve RH
E64	2	Blue	A-3		Wastegate control solenoid
E65	2	Light gray	B-4		Exhaust camshaft position sensor LH
E66	2	Blue	B-4		Exhaust oil flow control solenoid valve LH

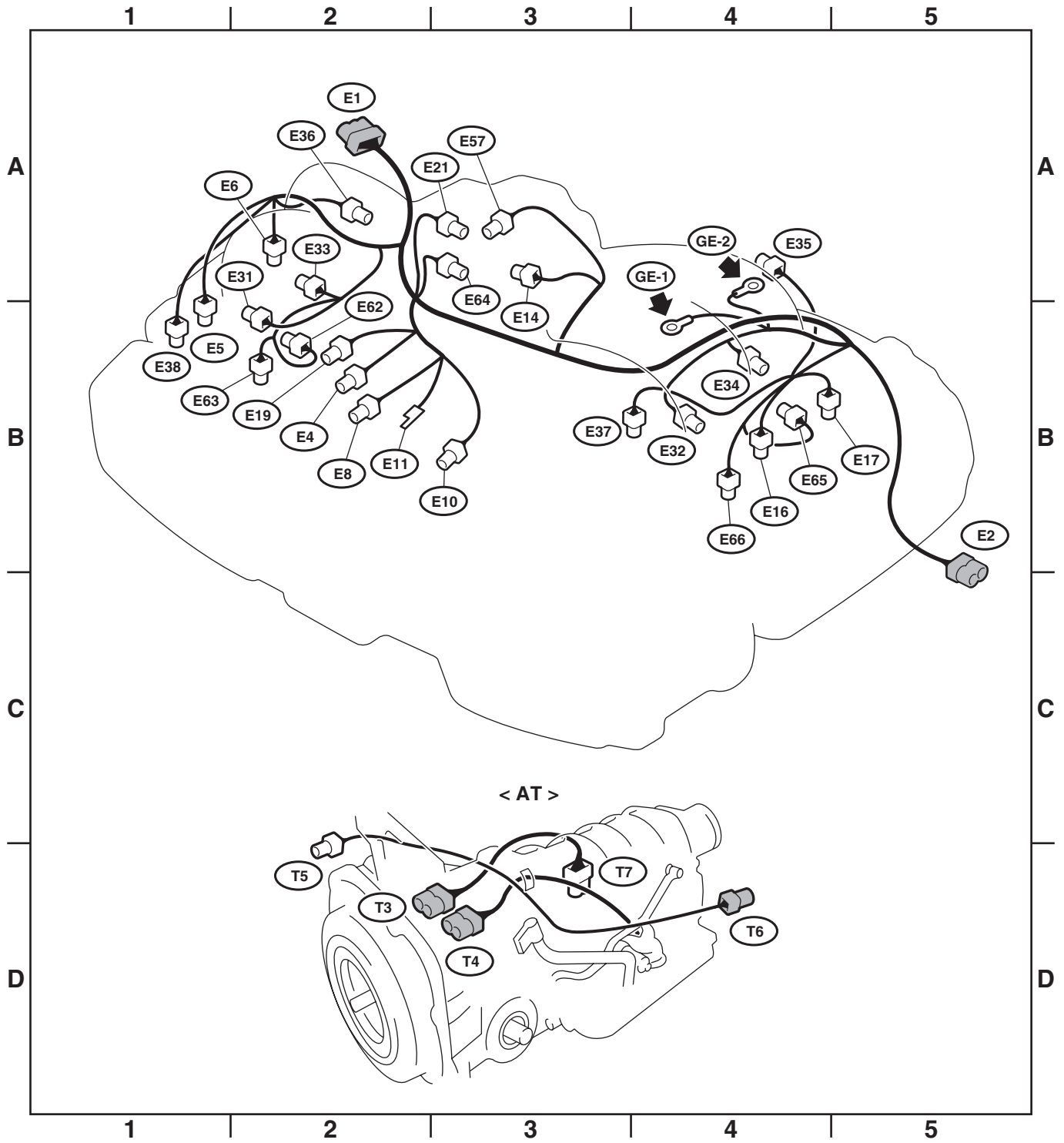
★: Non-colored

Connector				Connecting to	
No.	Pole	Color	Area	No.	Description
T3	8	★	D-3	B12	Bulkhead wiring harness
T4	20	Gray	D-3	B11	
T5	4	Gray	D-2	B19	
T6	4	Gray	D-4		Rear oxygen sensor
T7	12	★	D-3		Inhibitor switch

★: Non-colored

Engine Wiring Harness and Transmission Cord

WIRING SYSTEM



WI-04209

Engine Wiring Harness and Transmission Cord

WIRING SYSTEM

4. 3.0 L MODEL

Connector				Connecting to	
No.	Pole	Color	Area	No.	Description
E1	16	Brown	A-3	B20	Bulkhead wiring harness
E2	54	Black	A-3	B21	
E3	16	★	A-3	B22	
E4	2	Blue	A-2		CPC Solenoid
E5	2	Dark gray	A-2		Fuel injector No. 1
E6	2	Dark gray	A-2		Fuel injector No. 3
E8	2	Black	B-4		Engine coolant temperature sensor
E10	2	Light gray	B-4		Crankshaft position sensor
E11	1	★	B-1		Oil pressure switch
E14	2	Green	A-3		Knock sensor 1
E16	2	Dark gray	B-4		Fuel injector No. 2
E17	2	Dark gray	B-4		Fuel injector No. 4
E18	6	Dark gray	A-3		EGR valve
E19	1	★	B-3		Power steering oil pressure switch
E24	4	Black	C-3		Front oxygen (A/F) sensor LH
E25	4	Dark gray	B-4		Rear oxygen sensor LH
E28	3	Black	A-3		Intake manifold pressure sensor
E31	3	Black	B-1		Ignition coil No. 1
E32	3	Black	C-4		Ignition coil No. 2
E33	3	★	B-2		Ignition coil No. 3
E34	3	★	B-4		Ignition coil No. 4
E43	2	Dark gray	A-2		Fuel injector No. 5
E44	2	Dark gray	B-5		Fuel injector No. 6
E45	3	Black	B-2		Ignition coil No. 5
E46	3	Black	B-5		Ignition coil No. 6
E47	4	Black	B-2		Front oxygen (A/F) sensor RH
E48	2	Green	A-4		Knock sensor 2
E57	6	Black	A-3		Electronic throttle control
E61	4	Dark gray	B-3		Rear oxygen sensor RH
E67	2	Blue	B-1		Intake oil flow control solenoid valve RH
E68	2	Blue	C-4		Intake oil flow control solenoid valve LH
E69	2	Blue	A-2		Oil switching solenoid valve RH
E70	2	Blue	B-5		Oil switching solenoid valve LH
E71	1	★	A-3		Variable valve lift diagnosis oil pressure switch RH
E72	1	★	B-5		Variable valve lift diagnosis oil pressure switch LH
E73	3	Gray	A-2		Camshaft position sensor RH
E74	3	Gray	B-5		Camshaft position sensor LH
E75	2	Black	B-5		Oil temperature sensor
E76	10	Dark gray	A-3	E77	Engine wiring harness
E77	10	Gray	A-3	E76	

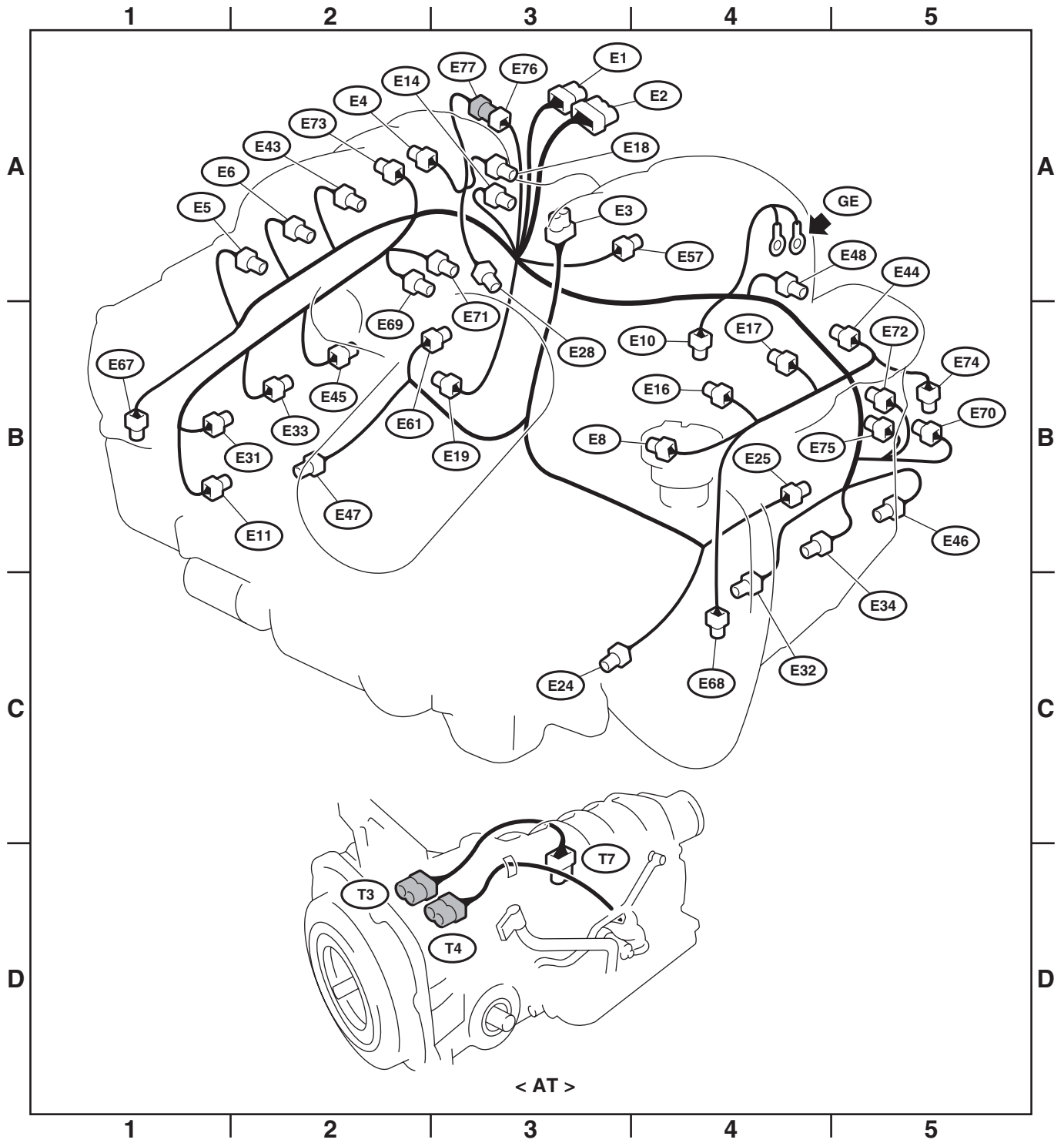
★: Non-colored

Connector				Connecting to	
No.	Pole	Color	Area	No.	Description
T3	12	★	D-2	B12	Bulkhead wiring harness
T4	20	Black	D-3	B11	
T7	12	★	D-3		Inhibitor switch

★: Non-colored

Engine Wiring Harness and Transmission Cord

WIRING SYSTEM



WI-04210

55. Instrument Panel Wiring Harness

A: LOCATION

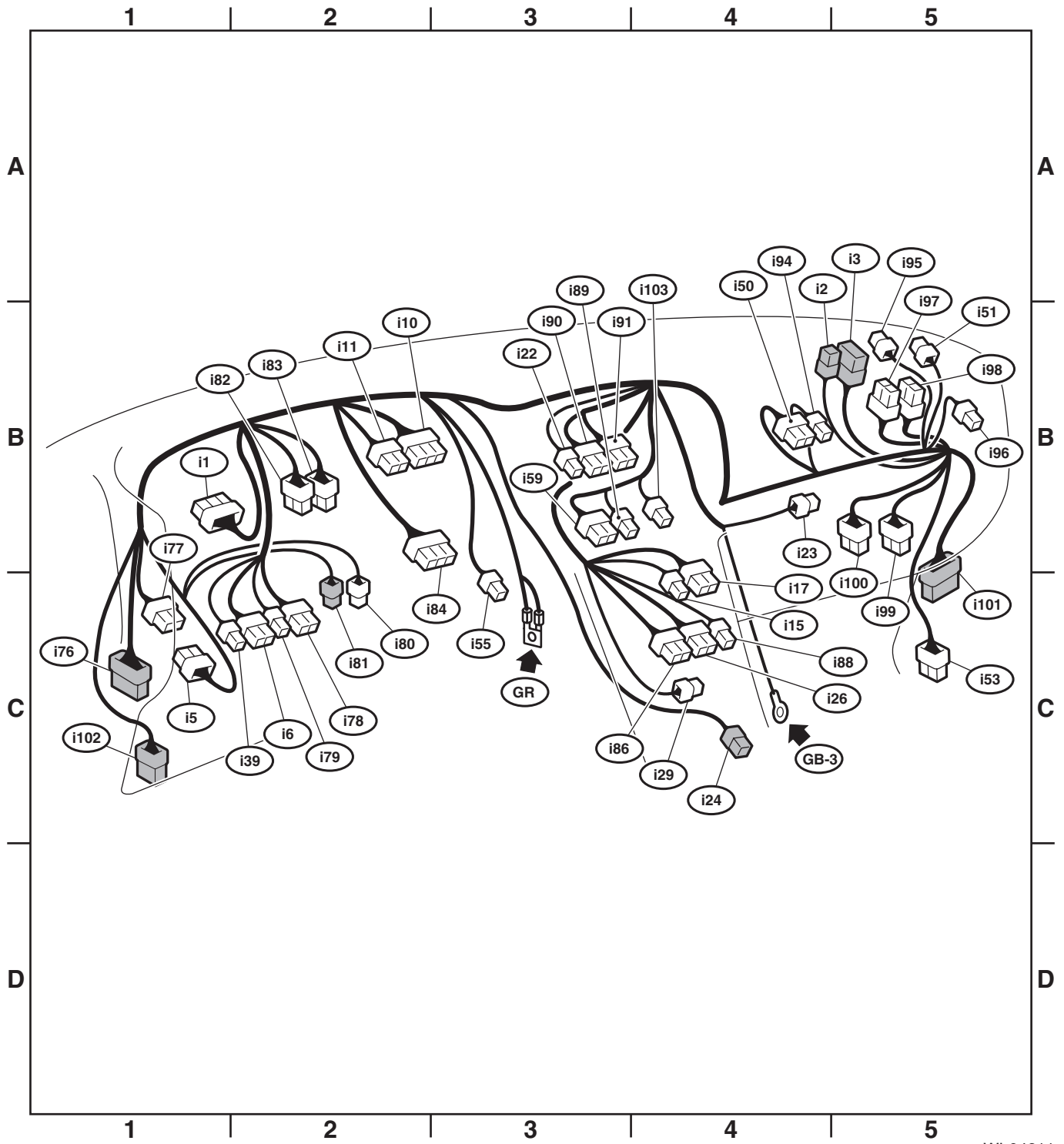
1. LHD MODEL

Connector				Connecting to	
No.	Pole	Color	Area	No.	Description
i1	28	★	B-1	B36	Bulkhead wiring harness
i2	8	★	B-4	B37	
i3	20	★	B-5	B38	
i5	20	★	C-1		Fuse & relay box (F/B)
i6	16	★	C-2		Mirror control switch
i10	22	Green	B-2		Combination meter
i11	14	Green	B-2		
i15	6	★	C-4		A/C control panel (Manual A/C)
i17	16	Black	C-4		
i22	4	★	B-3		Hazard switch
i23	2	★	B-4		Glove box illumination
i24	6	★	C-4		Front accessory power supply socket
i26	14	★	C-4		Audio
i29	1	Black	C-4		Audio bracket earth
i39	6	★	C-1		Headlight leveler switch
i50	10	★	B-4		Navigation System
i51	2	Black	B-5		Sun load sensor
i53	18	★	C-5	R98	Rear wiring harness
i55	2	★	C-3		In-vehicle sensor
i59	10	★	B-3		Clock
i76	28	★	C-1	D83	Front door cord LH
i77	12	Blue	C-1		CAN joint connector
i78	15	★	C-2		Push switch
i79	6	★	C-2		Illumination control switch
i80	1	★	C-2		Meter diagnosis connector
i81	1	★	C-2		
i82	12	★	B-2		Joint connector (Illumi, and backup)
i83	12	★	B-2		
i84	35	Gray	B-2		Body integrated unit
i86	20	★	C-4		Audio
i88	8	Black	C-4		A/C control panel (Auto A/C)
i89	2	★	B-3		Box light
i90	16	Black	B-3		TV monitor 1
i91	20	Black	B-3		TV monitor 2
i94	2	★	B-4		Distributor
i95	6	★	B-5		IE-BUS joint connector (Model with satellite switch)
i96	8	★	B-5		Keyless entry control module
i97	12	★	B-5		Joint ground connector
i98	12	★	B-5		
i99	12	★	B-5		
i100	12	★	B-5		Joint ground connector
i101	25	★	B-5	D84	Front door cord RH
i102	18	★	C-1	R167	Rear wiring harness
i103	4	★	B-4		TV monitor (For navigation system)

★: Non-colored

Instrument Panel Wiring Harness

WIRING SYSTEM



WI-04211

Instrument Panel Wiring Harness

WIRING SYSTEM

2. RHD MODEL

Connector				Connecting to	
No.	Pole	Color	Area	No.	Description
i1	28	★	B-5	B36	Bulkhead wiring harness
i2	8	★	B-1	B37	
i3	20	★	B-1	B38	
i5	20	★	C-5		Fuse & relay box (F/B)
i6	16	★	C-4		Mirror control switch
i10	22	Green	B-4		Combination meter
i11	14	Green	B-4		
i15	6	★	C-2		A/C control panel (Manual A/C)
i17	16	Black	C-2		
i22	4	★	B-2		Hazard switch
i23	2	★	B-2		Glove box illumination
i24	6	★	C-2		Front accessory power supply socket
i26	14	★	C-2		Audio
i29	1	Black	C-2		Audio bracket earth
i39	6	★	C-4		Headlight leveler switch
i50	10	★	B-2		Navigation System
i51	2	Black	B-1		Sunload sensor
i53	18	★	C-5	R98	Rear wiring harness
i55	2	★	C-3		In-vehicle sensor
i59	10	★	B-3		Clock
i76	25	★	C-5	D83	Front door cord RH
	28	★			
i77	12	Blue	B-5		CAN joint connector
i78	15	★	C-4		Push switch
i79	6	★	C-4		Illumination control switch
i80	1	★	C-4		Meter diagnosis connector
i81	1	★	C-4		
i82	12	★	B-4		Joint connector (Illumi. and backup)
i83	12	★	B-4		
i84	35	Gray	B-3		Body integrated unit
i86	20	★	C-2		Audio
i88	8	Black	C-2		A/C control panel (Auto A/C)
i89	2	★	B-3		Box light
i90	16	Black	B-3		TV monitor 1
i91	20	Black	B-3		TV monitor 2
i95	6	★	B-1		IE-BUS joint connector (Model with satellite switch)
i96	8	★	B-1		Keyless entry control module
i97	12	★	B-1		Joint ground connector
i98	12	★	B-1		
i99	12	★	B-1		
i100	12	★	B-1		Joint ground connector
i101	25	★	C-1	D84	
i102	18	★	C-1	R167	Rear wiring harness
i103	4	★	B-3		TV monitor (For navigation system)

★: Non-colored

56.Rear Wiring Harness

A: LOCATION

1. SEDAN MODEL

Connector				Connecting to	
No.	Pole	Color	Area	No.	Description
R1	16	★	C-3	B97	Bulkhead wiring harness (LHD)
	20	★	B-2		Bulkhead wiring harness (RHD)
R2	16	★	B-2	B98	Bulkhead wiring harness (LHD)
	8	★	C-3		Bulkhead wiring harness (RHD)
R4	1	Black	C-3		Parking brake switch
R8	4	★	C-4		Front seat belt switch LHD (Driver's side)
			B-3		Front seat belt switch RHD (Driver's side)
R9	3	★	C-4		Front door switch LH
R10	8	★	C-4	D22	Rear door cord (Passenger's side)
R12	3	★	B-3		Front door switch RH
R13	8	★	B-3	D28	Rear door cord (Driver's side)
R16	3	★	B-4		Rear door switch RH
R25	2	Black	B-4		—
R41	4	★	C-4		Seat heater LH
R43	20	★	C-3		Seat heater switch
R44	4	★	B-3		Seat heater RH
R50	12	★	B-2	B90	Bulkhead wiring harness
R51	2	Black	B-3		Vanity mirror illumination RH
R52	3	★	B-3		Interior light
R54	2	Black	B-3		Vanity mirror illumination LH
R55	10	Gray	B-3		Sunroof control unit
R56	2	★	B-3		Spot map light
R57	3	★	B-3		Rear view mirror
R72	2	Black	B-4		Rear ABS wheel speed sensor RH
R73	2	Black	B-4		Rear ABS wheel speed sensor LH
R98	18	★	B-2	i53	Instrument panel wiring harness
R107	4	★	B-3		Front seat belt switch LHD (Passenger's side)
			C-4		Front seat belt switch RHD (Passenger's side)
R109	2	Black	C-4		Power seat LHD (Driver's side)
			B-3		Power seat RHD (Driver's side)
R128	5	★	B-3		Sunroof switch
R142	2	Black	C-4		Fuel pump condenser
R167	18	★	C-3	i102	Instrument panel wiring harness (LHD)
	16	★			Instrument panel wiring harness (RHD)
R168	20	★	C-3		Fuse & relay box (F/B) (LHD)
	20	★	B-2		Fuse & relay box (F/B) (RHD)
R187	5	★	B-3		Tilt switch
R188	2	Black	B-3		Power seat LHD (Passenger's side)
			C-4		Power seat RHD (Passenger's side)
R192	2	★	B-3		Seat buzzer

★: Non-colored

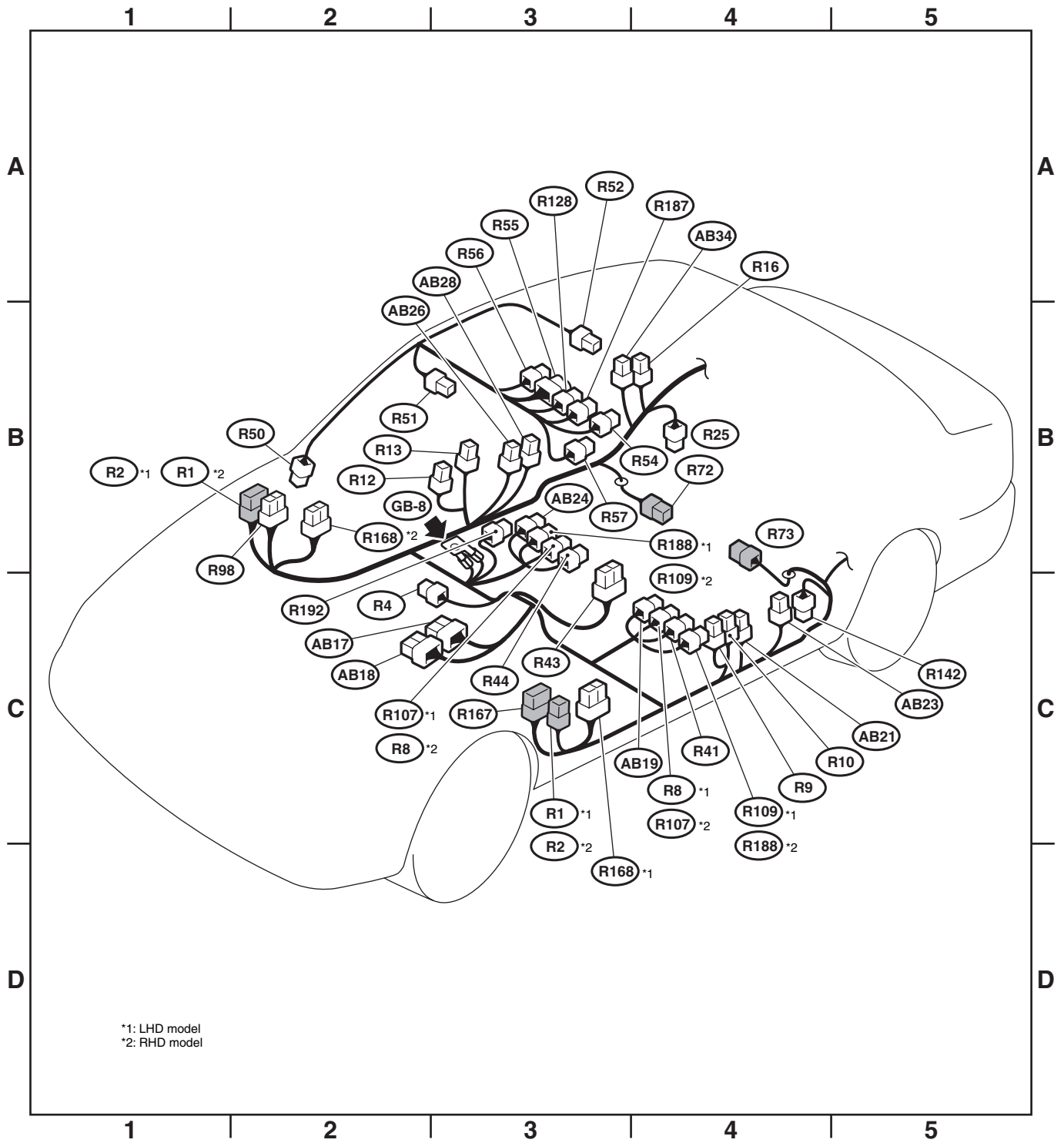
Rear Wiring Harness

WIRING SYSTEM

Connector				Connecting to	
No.	Pole	Color	Area	No.	Description
AB17	20	Yellow	C-3		Airbag control module LH (Model with side airbag, curtain airbag)
	12	Yellow			Airbag control module LH
AB18	20	Yellow	C-2		Airbag control module RH (Model with side airbag, curtain airbag)
	12	Yellow			Airbag control module RH
AB19	2	Yellow	C-4	AB20	Inflator (Side) LH
AB21	2	Yellow	C-4		Pretensioner LH
AB23	4	Yellow	C-4		Side airbag sensor LH
AB24	2	Yellow	B-3	AB25	Inflator (Side) RH
AB26	2	Yellow	B-3		Pretensioner RH
AB28	4	Yellow	B-3		Side airbag sensor RH
AB34	4	Yellow	B-3		Curtain airbag sensor RH
★: Non-colored					

Rear Wiring Harness

WIRING SYSTEM



WI-04213

Rear Wiring Harness

WIRING SYSTEM

2. WAGON MODEL

Connector				Connecting to	
No.	Pole	Color	Area	No.	Description
R1	16	★	C-3	B97	Bulkhead wiring harness (LHD)
	20	★	B-1		Bulkhead wiring harness (RHD)
R2	16	★	B-1	B98	Bulkhead wiring harness (LHD)
	8	★	C-3		Bulkhead wiring harness (RHD)
R4	1	★	C-2		Parking brake switch
R8	4	★	C-3		Front seat belt switch LHD (Driver's side)
			B-3		Front seat belt switch RHD (Driver's side)
R9	3	★	C-4		Front door switch LH
R10	8	★	C-4	D22	Rear door cord (Passenger's side)
R12	3	★	B-2		Front door switch RH
R13	8	★	B-2	D28	Rear door cord (Driver's side)
R16	3	★	A-3		Rear door switch RH
R41	4	★	C-3		Seat heater LH
R43	20	★	B-3		Seat heater switch
R44	4	★	B-3		Seat heater RH
R50	12	★	B-1	B90	Bulkhead wiring harness
R51	2	Black	A-2		Vanity mirror illumination RH
R52	3	★	A-3		Interior light
R54	2	Black	B-3		Vanity mirror illumination LH
R55	2	★	A-3		Sunroof control module
R56	2	★	A-2		Spot map light
R57	3	★	B-3		Rear view mirror
R72	2	Black	B-4		Rear ABS wheel speed sensor RH
R73	2	Black	B-4		Rear ABS wheel speed sensor LH
R98	18	★	B-1	i53	Instrument panel wiring harness
R107	4	★	B-3		Front seat belt switch LHD (Passenger's side)
			C-3		Front seat belt switch RHD (Passenger's side)
R109	2	Black	C-4		Power seat LHD (Driver's side)
			B-3		Power seat RHD (Driver's side)
R128	5	★	A-3		Sunroof switch
R142	2	Black	C-4		Fuel pump condenser
R167	18	★	C-3	i102	Instrument panel wiring harness (LHD)
	16	★			Instrument panel wiring harness (RHD)
R168	20	★	C-3		Fuse & relay box (F/B) (LHD)
	20	★	B-1		Fuse & relay box (F/B) (RHD)
R169	8	★	B-2		Impact sensor (EK model)
R188	2	Black	B-3		Power seat LHD (Passenger's side)
			C-4		Power seat RHD (Passenger's side)
R192	2	★	B-3		Seat buzzer

★: Non-colored

Connector				Connecting to	
No.	Pole	Color	Area	No.	Description
AB17	20	Yellow	C-2		Airbag control module LH (Model with side airbag, curtain airbag)
	12	Yellow			Airbag control module LH
AB18	20	Yellow	C-2		Airbag control module RH (Model with side airbag, curtain airbag)
	12	Yellow			Airbag control module RH

Rear Wiring Harness

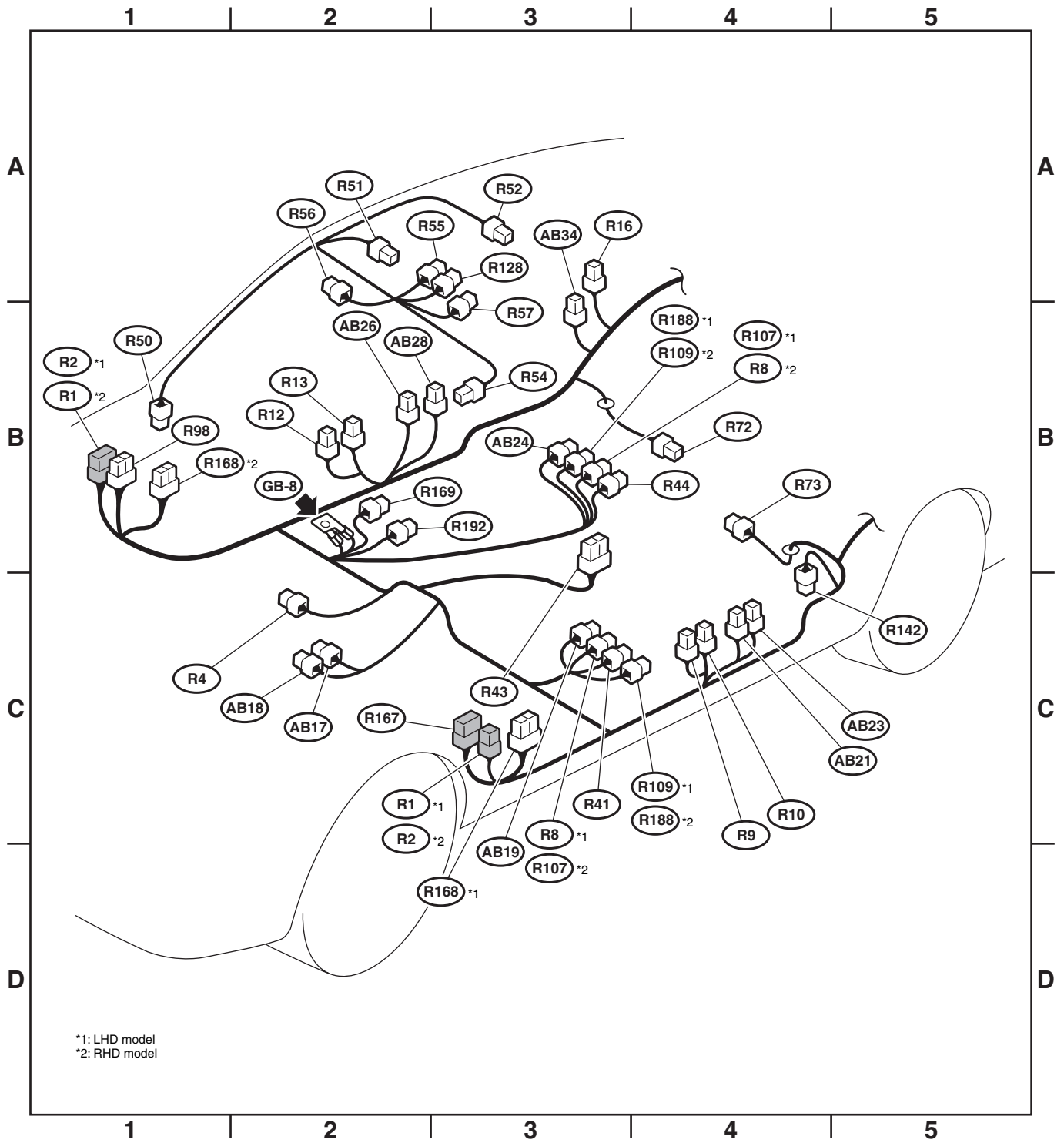
WIRING SYSTEM

Connector				Connecting to	
No.	Pole	Color	Area	No.	Description
AB19	2	Yellow	C-3	AB20	Inflator (Side) LH
AB21	2	Yellow	C-4		Pretensioner LH
AB23	4	Yellow	C-4		Side airbag sensor LH
AB24	2	Yellow	B-3	AB25	Inflator (Side) RH
AB26	2	Yellow	B-2		Pretensioner RH
AB28	4	Yellow	B-3		Side airbag sensor RH
AB34	4	Yellow	B-3		Curtain airbag sensor RH

★: Non-colored

Rear Wiring Harness

WIRING SYSTEM



WI-04214

57. Door Cord

A: LOCATION

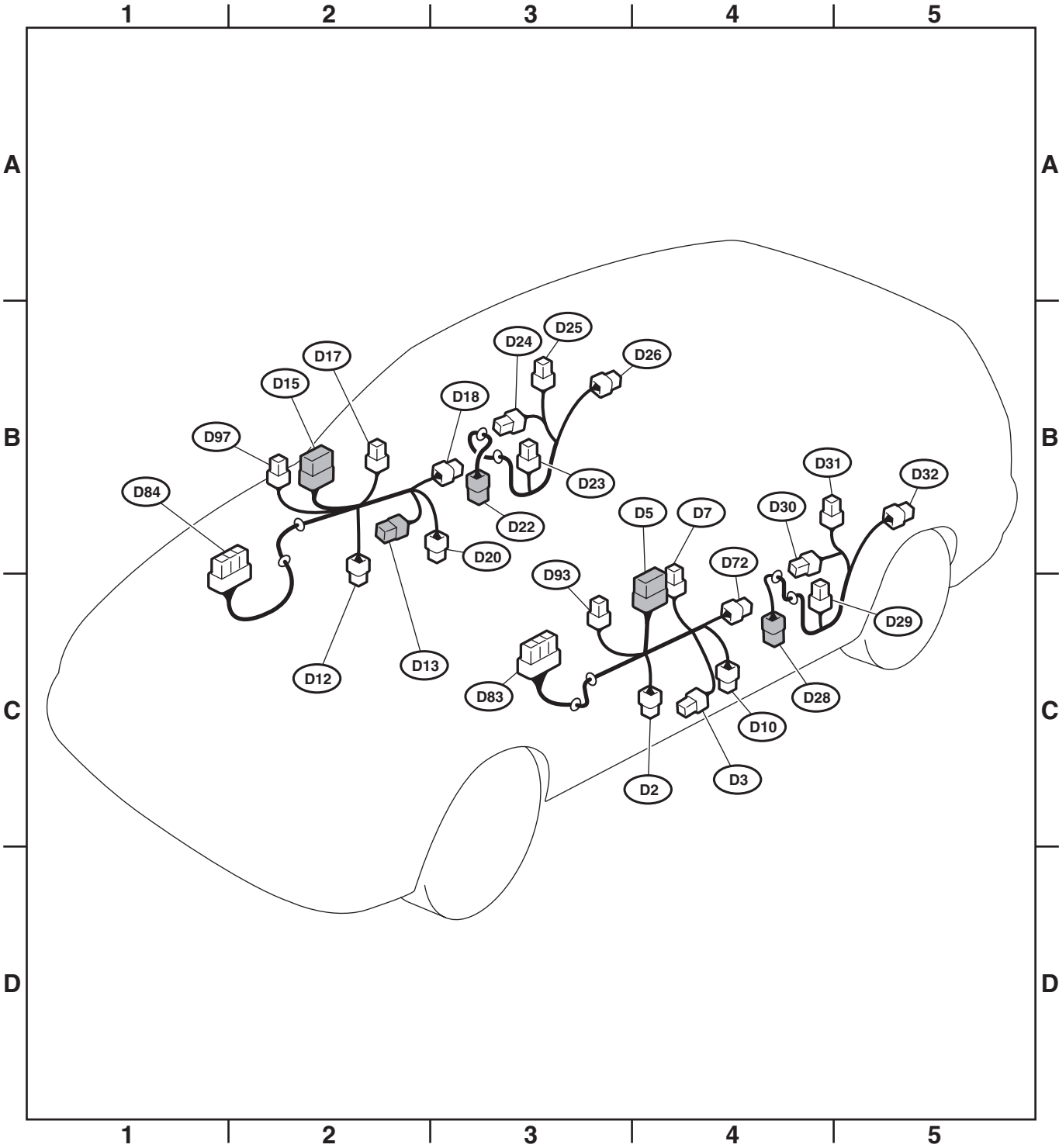
1. LHD MODEL

Connector				Connecting to	
No.	Pole	Color	Area	No.	Description
D2	2	★	C-4		Front door speaker LH
D3	2	Gray	C-4		Front power window motor LH
D5	8	★	C-4		Remote controlled rearview mirror LH (Without mirror heater)
	10	★			Remote controlled rearview mirror LH (With mirror heater)
D7	14	★	C-4		Power window main switch
D10	2	★	C-4		Front step light LH
D12	2	★	B-2		Front door speaker RH
D13	2	Gray	B-2		Front power window motor RH
D15	8	★	B-2		Remote controlled rearview mirror RH (Without mirror heater)
	10	★			Remote controlled rearview mirror RH (With mirror heater)
D17	5	★	B-2		Front power window sub switch
D18	2	Gray	B-3		Front door lock actuator RH
D20	2	★	B-3		Front step light RH
D22	8	★	B-3	R10	Rear wiring harness
D23	2	Black	B-3		Rear door speaker RH
D24	2	Green	B-3		Rear power window motor RH
D25	5	★	B-3		Rear power window sub switch RH
D26	2	Gray	B-3		Rear door lock actuator RH
D28	8	★	C-4	R13	Rear wiring harness
D29	2	Black	C-4		Rear door speaker LH
D30	2	Green	B-4		Rear power window motor LH
D31	5	★	B-4		Rear power window sub switch LH
D32	2	Gray	B-5		Rear door lock actuator LH
D72	2	Gray	C-4		Front door lock actuator LH
D83	25	★	C-3	i76	Instrument panel wiring harness
D84	25	★	B-2	i101	
D93	2	★	C-3		Front door tweeter LH
D97	2	★	B-2		Front door tweeter RH

★: Non-colored

Door Cord

WIRING SYSTEM



WI-04315

Door Cord

WIRING SYSTEM

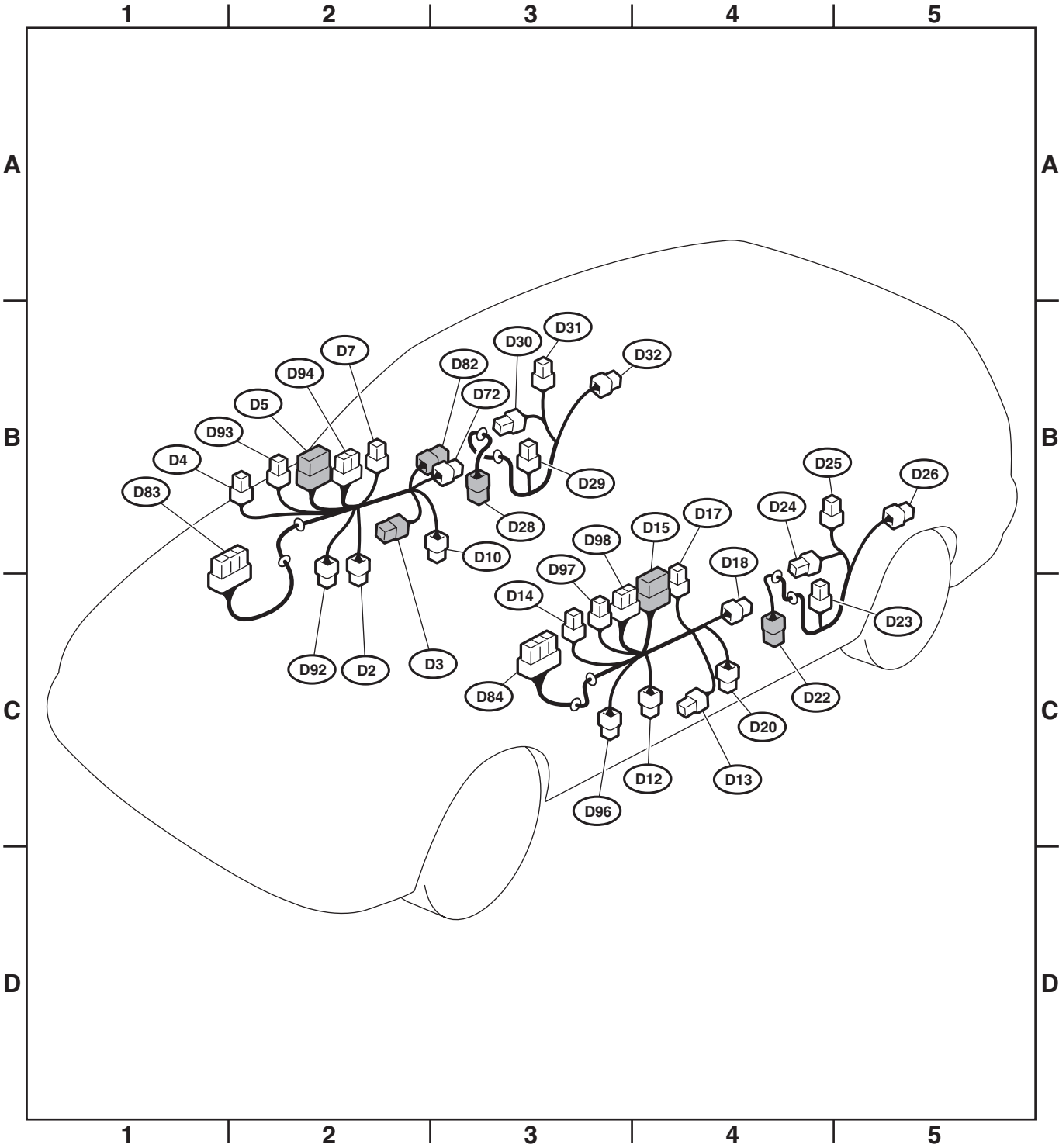
2. RHD MODEL

Connector				Connecting to	
No.	Pole	Color	Area	No.	Description
D2	2	★	B-2		Front door speaker RH
D3	2	Gray	B-2		Front power window motor RH
D4	2	Gray	B-2		Front door tweeter (Gusset) RH
D5	8	★	B-2		Remote controlled rearview mirror RH (Without mirror heater)
	10	★			Remote controlled rearview mirror RH (With mirror heater)
D7	14	★	B-2		Power window main switch
D10	2	★	B-3		Front step light RH
D12	2	★	C-4		Front door speaker LH
D13	2	Gray	C-4		Front power window motor LH
D14	2	★	C-3		Front door tweeter (Gusset) LH
D15	8	★	C-4		Remote controlled rearview mirror LH (Without mirror heater)
	10	★			Remote controlled rearview mirror LH (With mirror heater)
D17	5	★	C-4		Front power window sub switch
D18	2	★	C-4		Front door lock actuator LH (Without double lock)
	6	★			Front door lock actuator LH (With double lock)
D20	2	★	C-4		Front step light LH
D22	8	★	C-4	R10	Rear wiring harness
D23	2	Black	C-4		Rear door speaker LH
D24	2	Green	B-4		Rear power window motor LH
D25	5	★	B-4		Rear power window sub switch LH
D26	2	★	B-5		Rear door lock actuator LH (Without double lock)
	6	★			Rear door lock actuator LH (With double lock)
D28	8	★	B-3	R13	Rear wiring harness
D29	2	Black	B-3		Rear door speaker RH
D30	2	Green	B-3		Rear power window motor RH
D31	5	★	B-3		Rear power window sub switch RH
D32	2	Gray	B-3		Rear door lock actuator RH (Without double lock)
	6	★			Rear door lock actuator RH (With double lock)
D72	2	Gray	B-3		Front door lock actuator RH (Without double lock)
	6	★			Front door lock actuator RH (With double lock)
D83	25	★	B-1	i76	Instrument panel wiring harness (Without double lock)
	28	★			Instrument panel wiring harness (With double lock)
D84	25	★	C-3	i101	Instrument panel wiring harness
D92	2	★	B-2		Front squawker RH
D93	2	★	B-2		Front door tweeter RH
D94	10	Green	B-2		Joint connector RH (Model with McIntosh)
D96	2	★	C-3		Front squawker LH
D97	2	★	C-3		Front door tweeter LH
D98	10	Green	C-3		Joint connector LH (Model with McIntosh)

★: Non-colored

Door Cord

WIRING SYSTEM



WI-04316

58.Rear Wiring Harness and Trunk Lid Cord

A: LOCATION

Connector				Connecting to	
No.	Pole	Color	Area	No.	Description
R19	2	★	B-2		High-mounted stop light (Sedan)
R20	2	★	B-4		Trunk room light
R22	3	★	B-1		Rear door switch LH
R24	8	★	B-4	R60	Trunk lid cord
R26	6	★	B-5		Rear combination light RH
R28	6	★	C-3		Rear combination light LH
R58	6	Gray	C-3		Fuel gauge main unit and fuel pump
R59	2	Gray	C-2		Fuel gauge sub unit
R60	8	★	B-4	R24	Rear wiring harness
R65	1	Black	B-2		Rear defogger
R66	2	★	B-4		High-mounted stop light (Rear spoiler)
R76	2	★	C-4		License plate light LH
R77	2	★	C-4		License plate light RH
R79	10	★	B-2		Trailer connector
R97	1	★	B-2		Antenna amplifier
R112	2	★	B-4		TV antenna amplifier RH
R113	2	★	B-3		TV antenna amplifier LH
R122	10	Black	C-2		Fuel pump control unit
R174	1	★	B-4		Rear defogger
R186	3	★	C-4		Trunk lock actuator
R189	2	★	C-3		Rear seat belt switch RH
R190	3	★	C-3		Rear seat belt switch center
R191	2	★	C-2		Rear seat belt switch LH
★: Non-colored					

Connector				Connecting to	
No.	Pole	Color	Area	No.	Description
AB31	2	Yellow	B-2	AB39	Inflator LH (Curtain)
AB32	4	Yellow	C-1		Curtain airbag sensor LH
AB33	2	Yellow	B-4	AB40	Inflator RH (Curtain)
★: Non-colored					

59. Rear Wiring Harness and Rear Gate Cord

A: LOCATION

Connector				Connecting to	
No.	Pole	Color	Area	No.	Description
R22	3	★	C-1		Rear door switch LH
R25	2	Black	C-3		—
R26	4	★	C-5		Rear combination light RH
R28	4	★	C-3		Rear combination light LH
R32	2	★	C-2		Luggage room power supply
R37	3	★	C-4	D33	Rear gate cord
R38	8	★	C-4	D34	
R39	10	★	C-4	D35	
R58	6	Gray	D-2		Fuel gauge main unit and fuel pump
R59	2	Gray	D-2		Fuel gauge sub unit
R79	10	★	C-2		Trailer connector
R97	1	★	C-2		Antenna amplifier
R112	2	★	C-3		TV antenna amplifier RH
R113	2	★	C-2		TV antenna amplifier LH
R122	10	Black	C-2		Fuel pump control unit
R189	2	★	C-2		Rear seat belt switch RH
R190	3	★	C-2		Rear seat belt switch center
R191	2	★	C-2		Rear seat belt switch LH

★: Non-colored

Connector				Connecting to	
No.	Pole	Color	Area	No.	Description
D33	3	★	C-4	R37	Rear wiring harness
D34	8	★	C-4	R38	
D35	10	★	C-4	R39	
D37	3	★	B-3		Luggage room light
D39	2	★	B-3		High-mounted stop light
D43	4	★	B-4		Rear wiper motor
D44	2	★	A-5		License plate light
D46	2	Black	B-4		Rear gate latch switch
D47	2	Gray	A-5		Rear gate lock actuator
D48	1	Black	B-3		Rear defogger
D86	2	★	A-5		Rear fog light RH
D87	2	★	A-5		Back-up light RH
D89	1	★	B-4		Rear defogger
D90	2	★	A-4		Rear fog light LH
D91	2	★	A-4		Back-up light LH

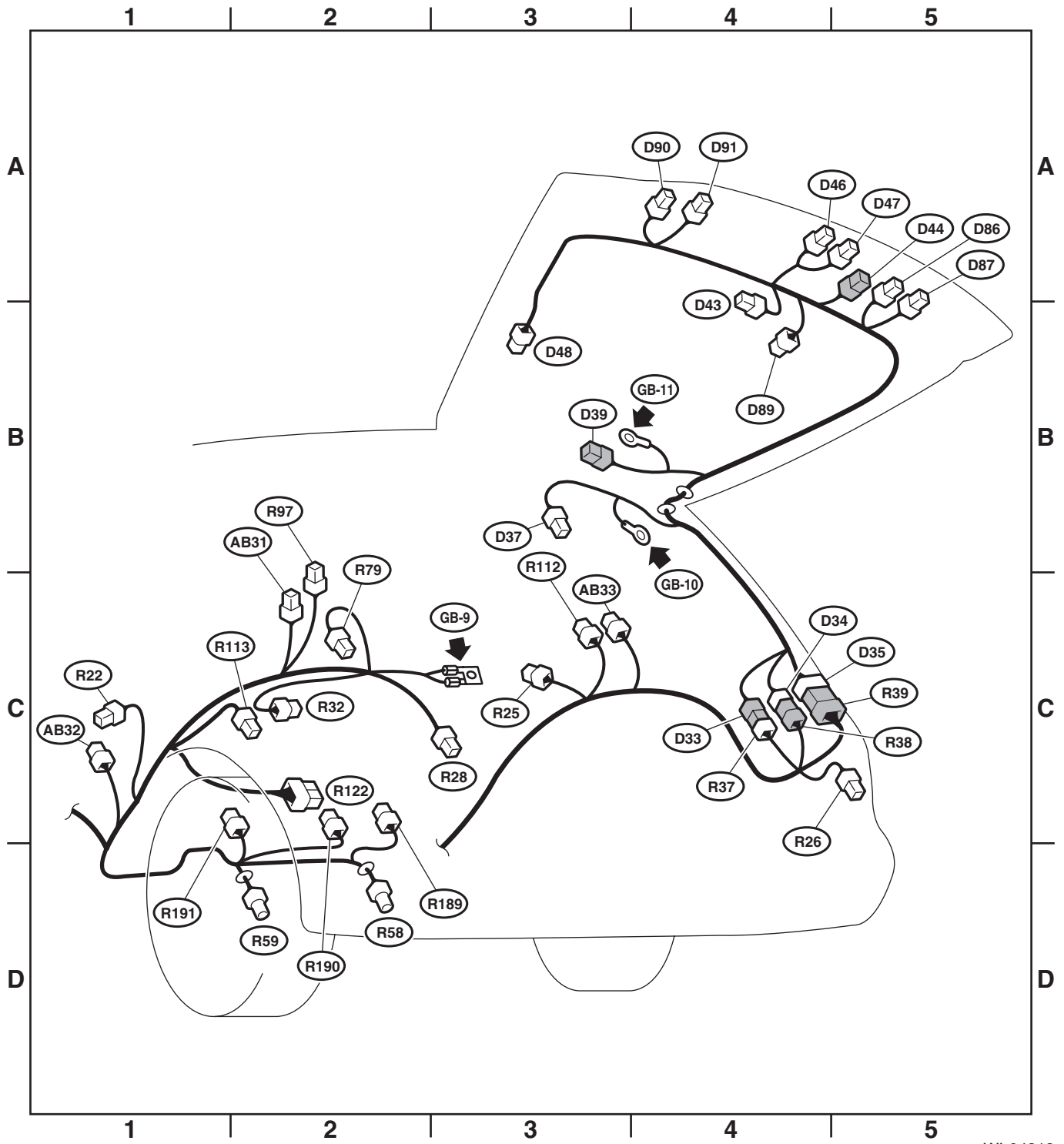
★: Non-colored

Connector				Connecting to	
No.	Pole	Color	Area	No.	Description
AB31	2	Yellow	C-2	AB39	Inflator LH (Curtain)
AB32	4	Yellow	C-1		Curtain airbag sensor LH
AB33	2	Yellow	C-3	AB40	Inflator RH (Curtain)

★: Non-colored

Rear Wiring Harness and Rear Gate Cord

WIRING SYSTEM



WI-04318