

WIRING SYSTEM SECTION

WIRING SYSTEM

WI

This service manual has been prepared to provide SUBARU service personnel with the necessary information and data for the correct maintenance and repair of SUBARU vehicles.

This manual includes the procedures for maintenance, disassembling, reassembling, inspection and adjustment of components and diagnostics for guidance of experienced mechanics.

Please peruse and utilize this manual fully to ensure complete repair work for satisfying our customers by keeping their vehicle in optimum condition. When replacement of parts during repair work is needed, be sure to use SUBARU genuine parts.

All information, illustration and specifications contained in this manual are based on the latest product information available at the time of publication approval.

WIRING SYSTEM



	Page
1. Basic Diagnostics Procedure	3
2. Working Precautions	14
3. Power Supply Routing.....	15
4. Ground Distribution	29
5. Airbag System.....	47
6. Air Conditioning System.....	53
7. Anti-lock Brake System	65
8. AT Control System	71
9. Audio System	83
10. Charging System.....	87
11. Combination Meter.....	89
12. Cruise Control System	97
13. Engine Coolant Temperature Gauge System	100
14. Engine Electrical System	102
15. Fuel Gauge System	177
16. Full-Time Dual-Range System	179
17. Front Accessory Power Supply System.....	181
18. Headlight Beam Leveler System.....	182
19. Horn System	183
20. Immobilizer System.....	184
21. Keyless Entry System	188
22. Back-up Light System	197
23. Clearance Light and Illumination Light System	198
24. Front Fog Light System.....	210
25. Headlight System	213
26. In Compartment Light System.....	215
27. Stop Light System	219
28. Turn Signal Light and Hazard Light System.....	220
29. Oil Pressure Warning Light System	224
30. Outside Temperature Display System	226
31. Parking Brake and Brake Fluid Level Warning System	228
32. Power Window System	230
33. Radiator Fan System	238
34. Rear Fog Light System	240
35. Rear Window Defogger System.....	242
36. Remote Controlled Rearview Mirror System.....	244
37. Seat Belt Warning System	246
38. Seat Heater System	250
39. Security System	251
40. Starter System	253
41. Sunroof System.....	255
42. Wiper and Washer System (Front).....	256
43. Wiper and Washer System (Rear)	258

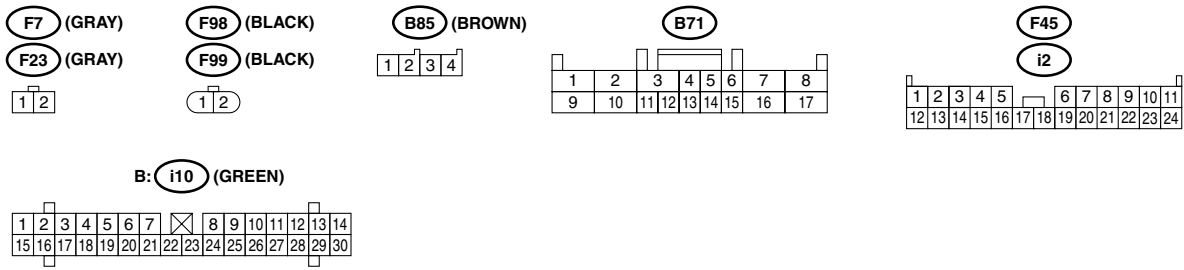
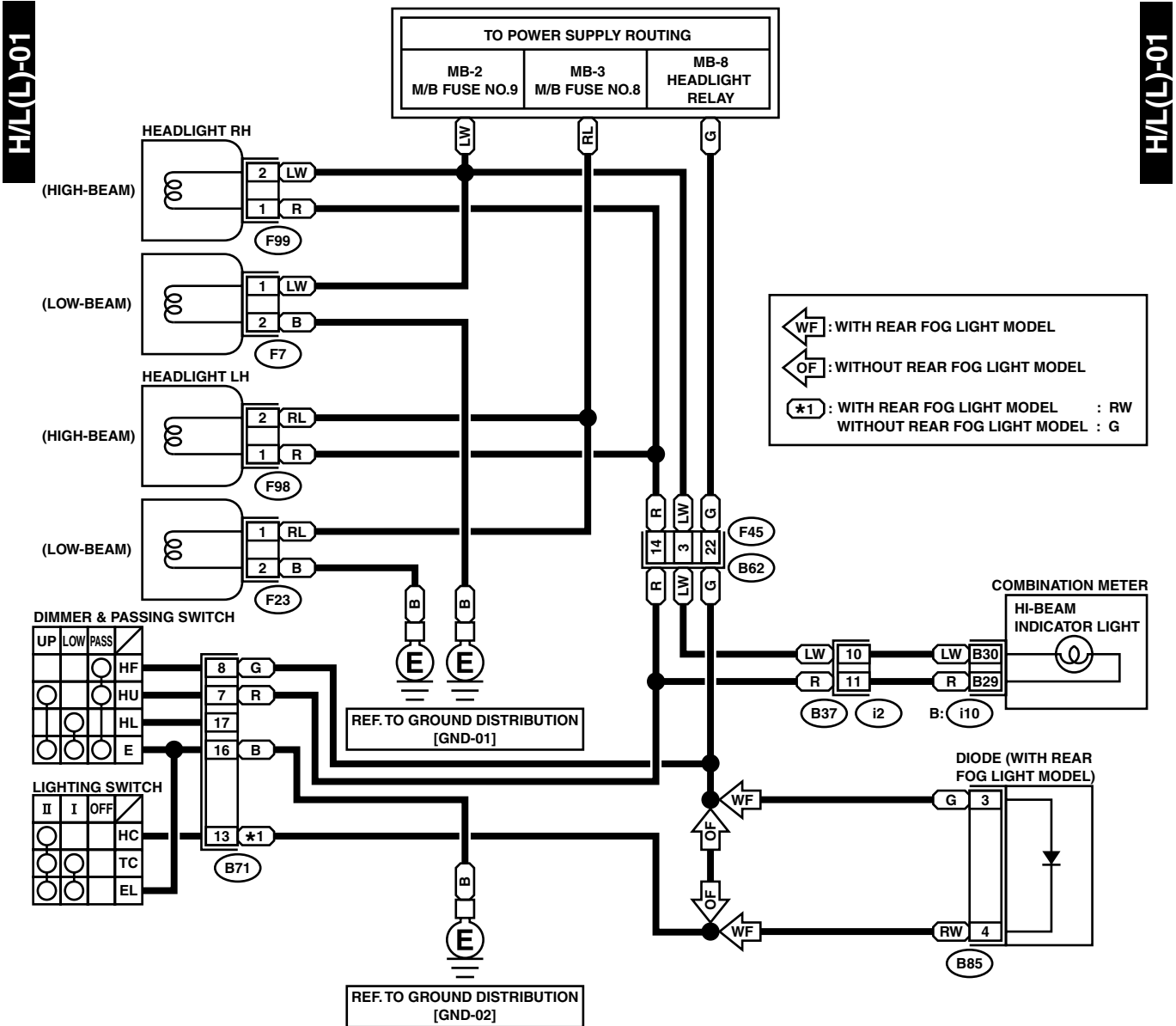
WIRING SYSTEM

44.	Intercooler Water Spray System	260
45.	Driver's Control Center Differential Control System	262
46.	Rear Differential Oil Temperature Warning Light System	266
47.	Harness Components Location	268
48.	Front Wiring Harness	270
49.	Bulkhead Wiring Harness (In Engine Room)	274
50.	Bulkhead Wiring Harness (In Compartment)	282
51.	Engine Wiring Harness and Transmission Cord	288
52.	Instrument Panel Wiring Harness	294
53.	Rear Wiring Harness, Bulkhead Wiring Harness, Roof Cord and Fuel Tank Cord	298
54.	Door Cord	304
55.	Rear Wiring Harness and Trunk Lid Cord	308
56.	Rear Wiring Harness and Rear Gate Cord	310

25.Headlight System

A: WIRING DIAGRAM

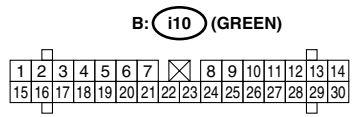
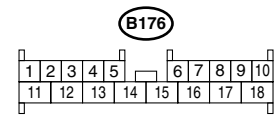
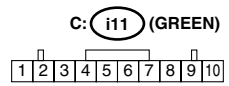
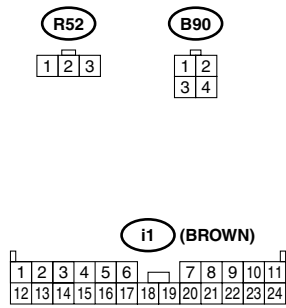
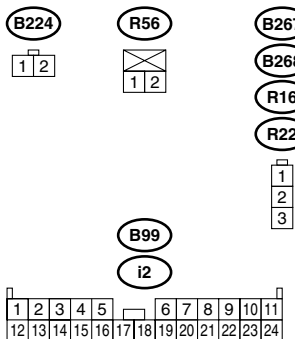
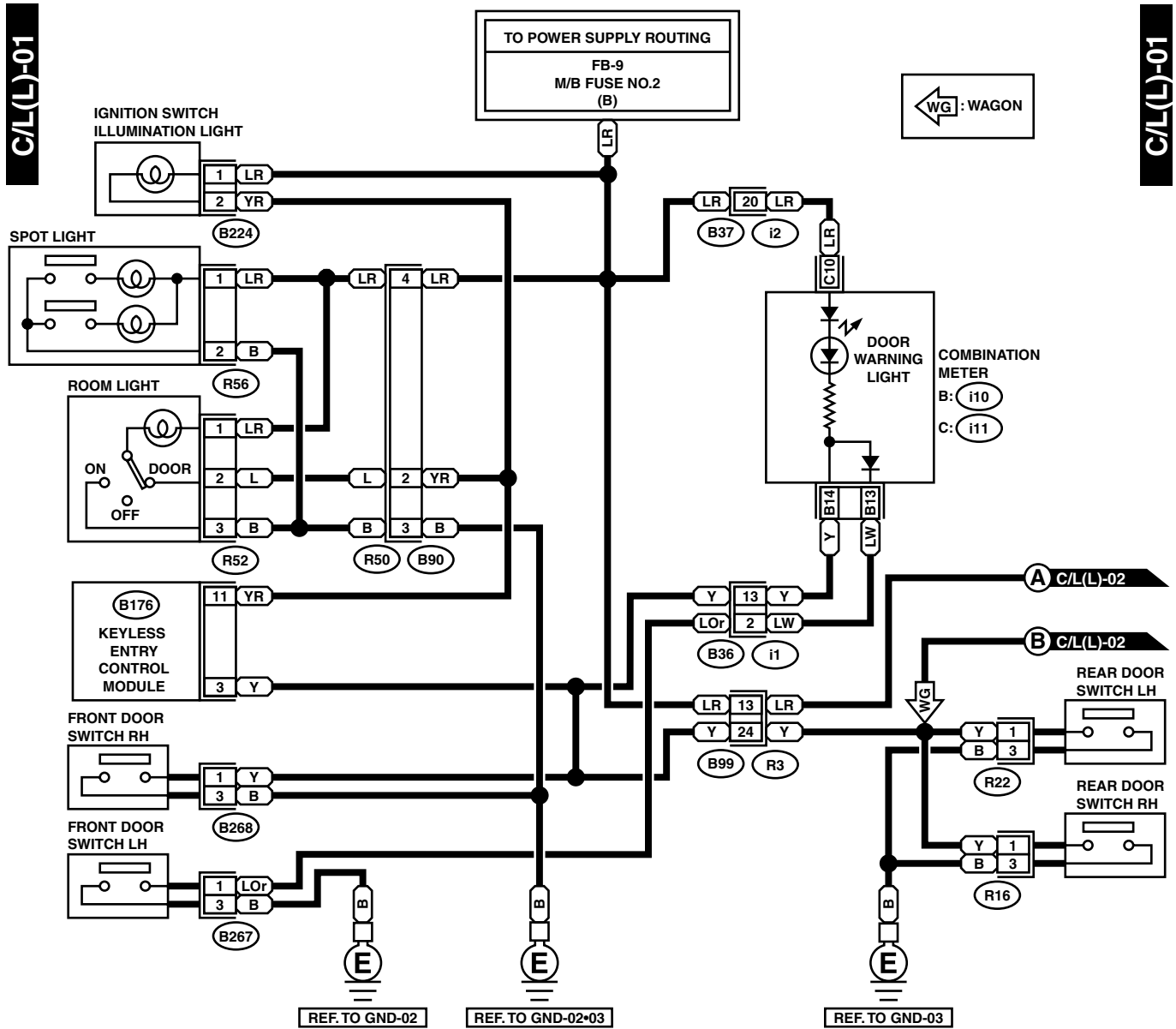
1. LHD MODEL



26. In Compartment Light System

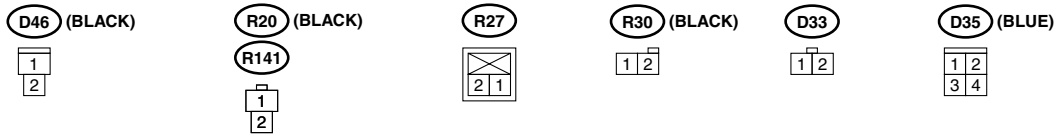
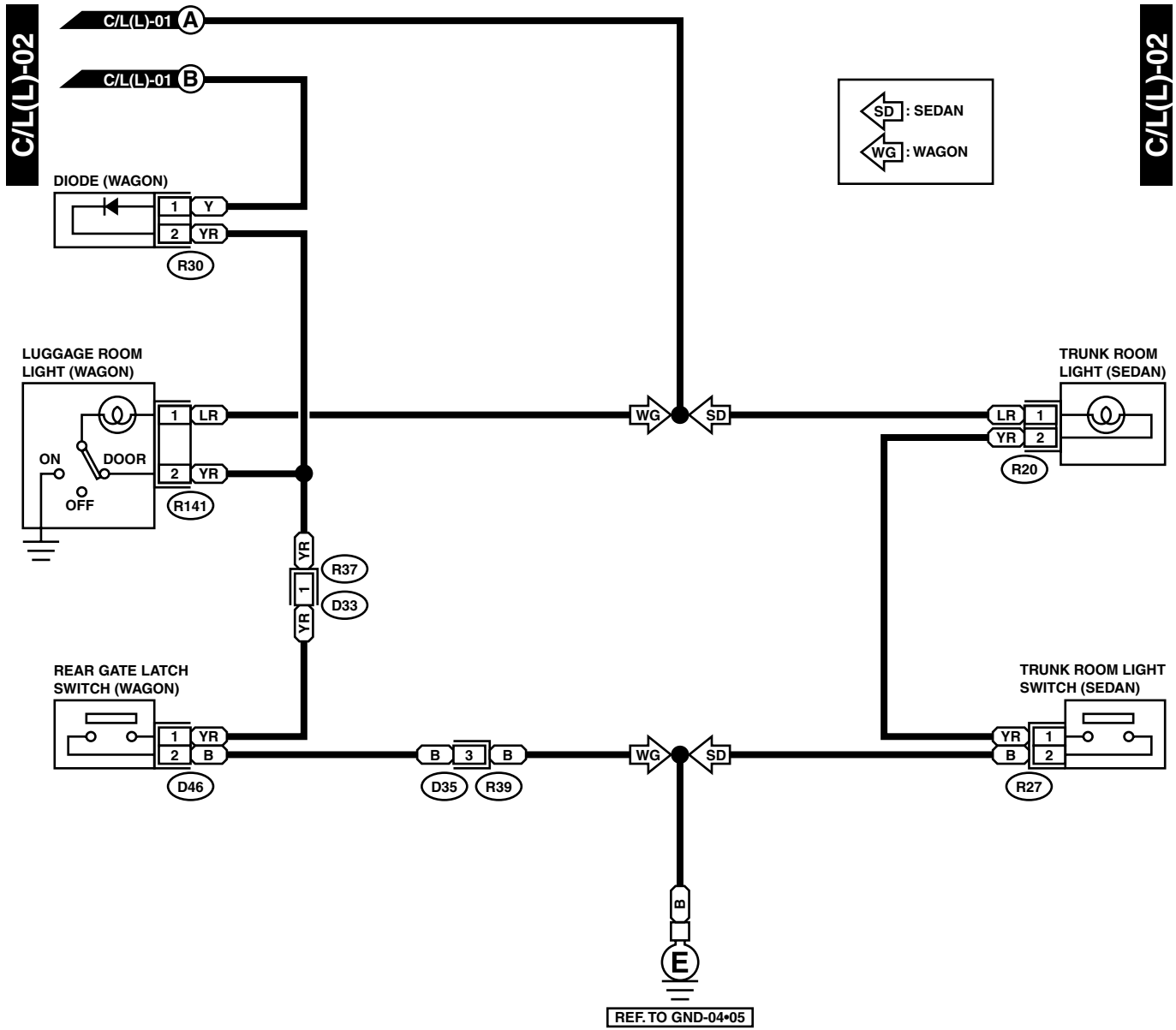
A: WIRING DIAGRAM

1. LHD MODEL



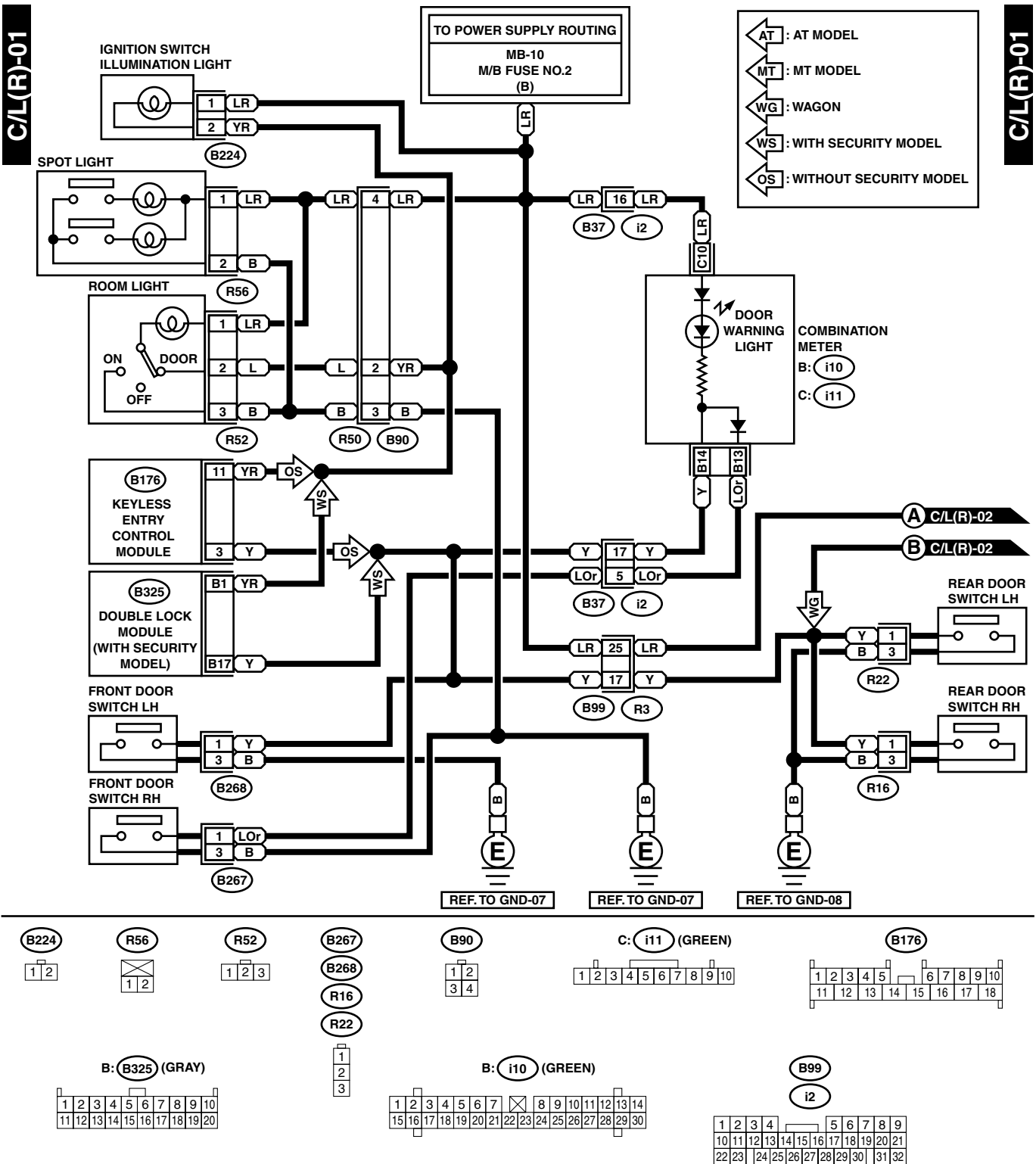
In Compartment Light System

WIRING SYSTEM



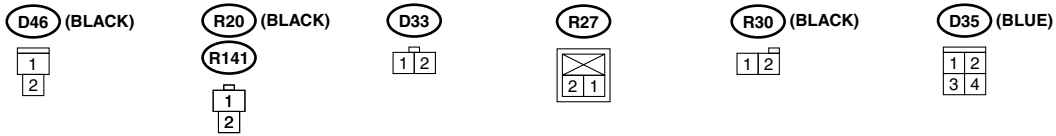
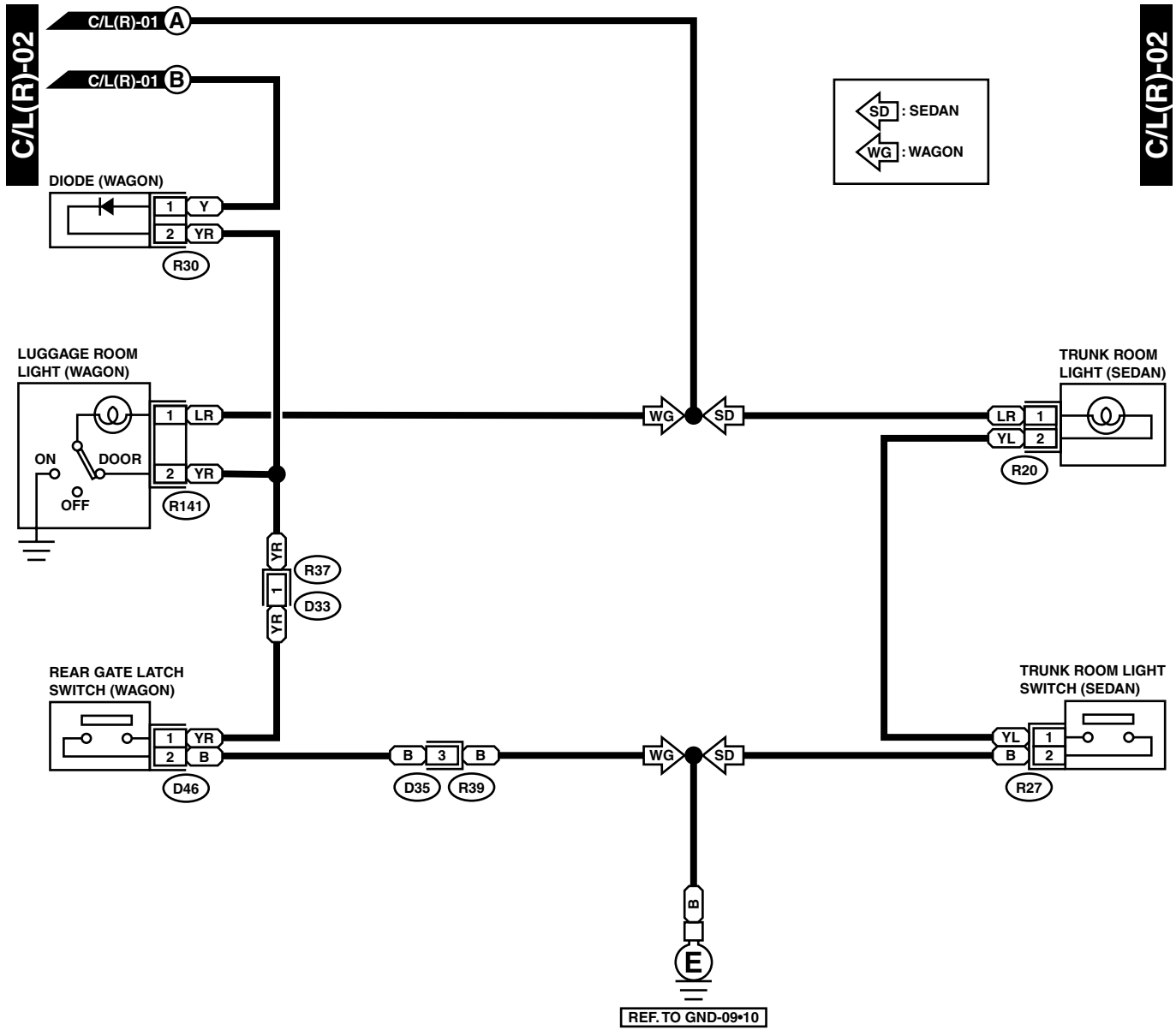
WI-04571

2. RHD MODEL



In Compartment Light System

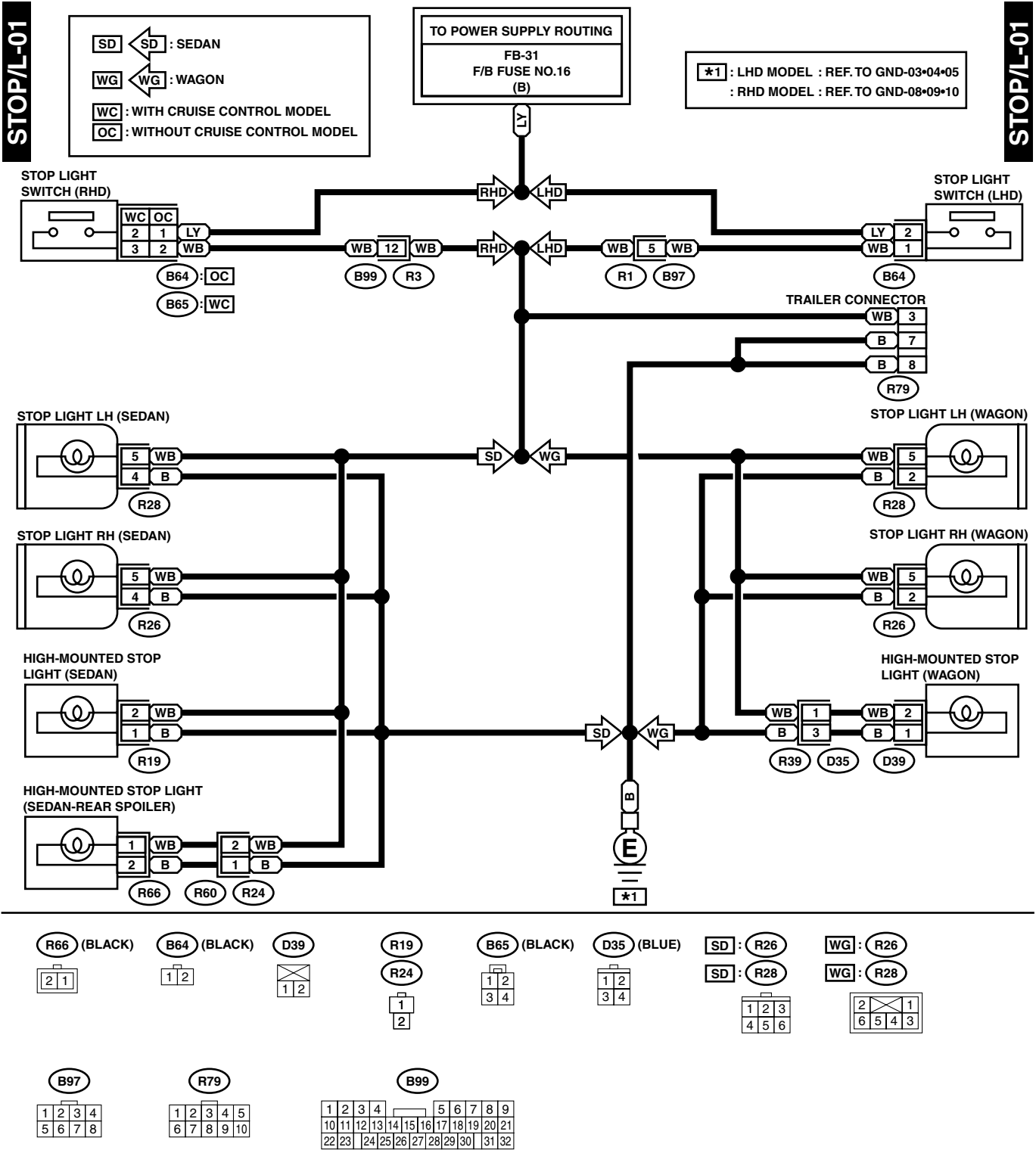
WIRING SYSTEM



WI-04572

27. Stop Light System

A: WIRING DIAGRAM



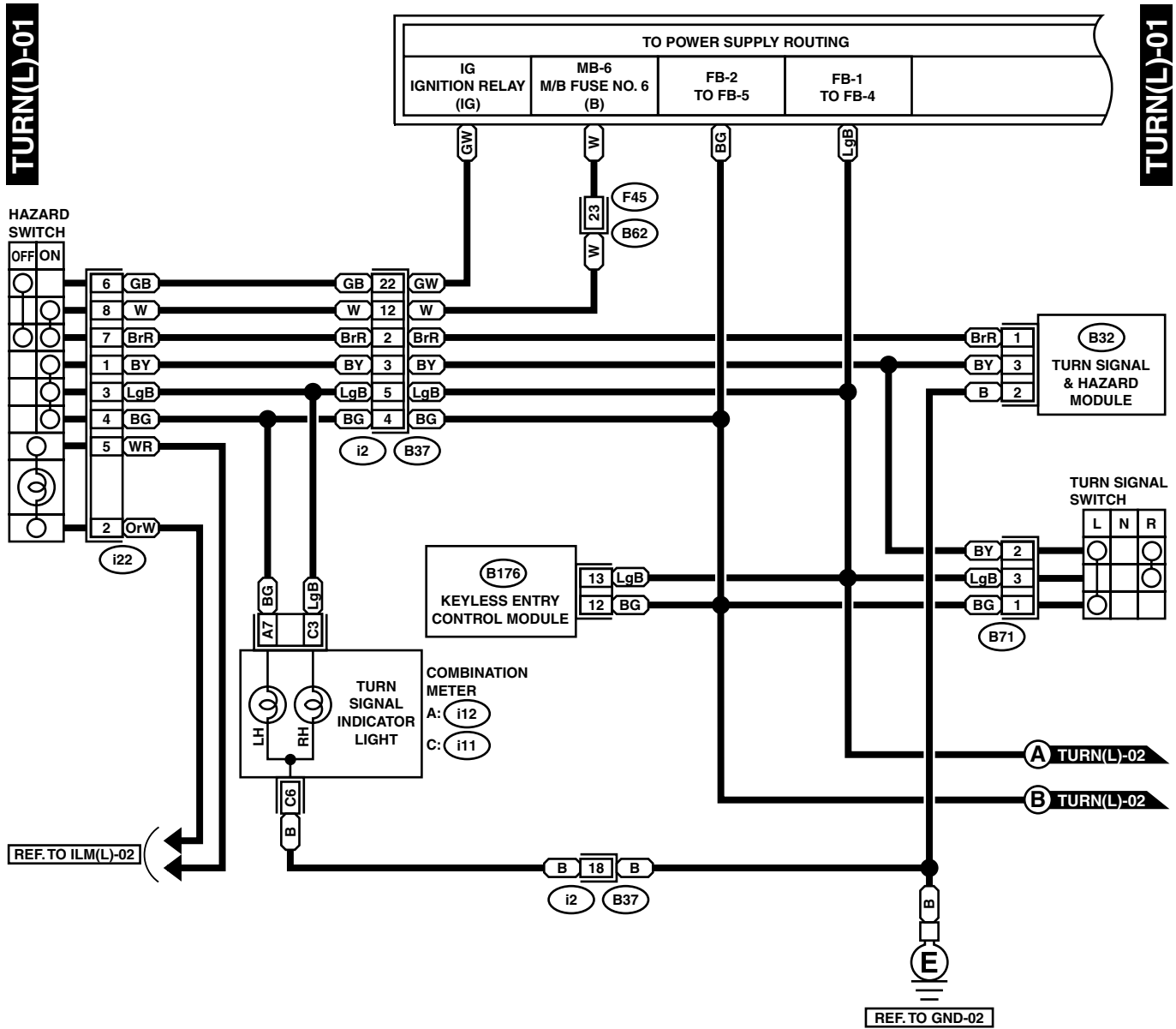
Turn Signal Light and Hazard Light System

WIRING SYSTEM

28. Turn Signal Light and Hazard Light System

A: WIRING DIAGRAM

1. LHD MODEL



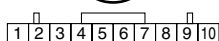
B32 (BLACK)



i22



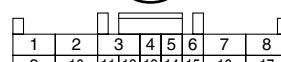
C: i11 (GREEN)



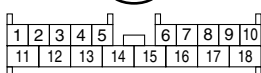
A: i12 (GREEN)



B71

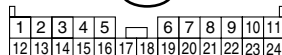


B176



F45

i2



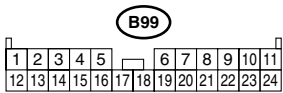
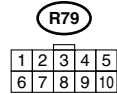
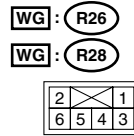
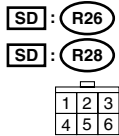
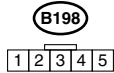
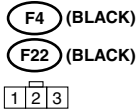
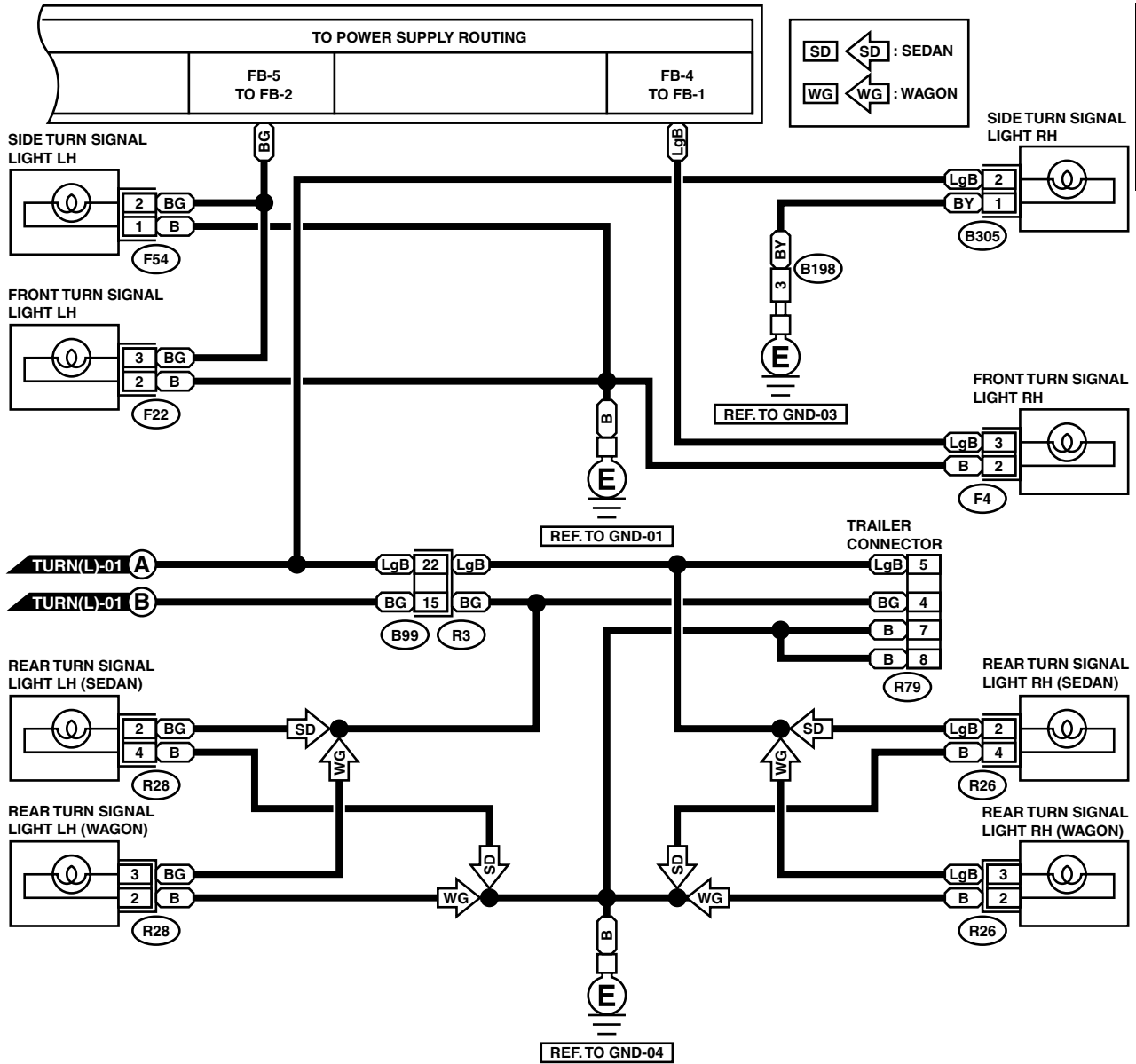
WI-02401

Turn Signal Light and Hazard Light System

WIRING SYSTEM

TURN(L)-02

TURN(L)-02

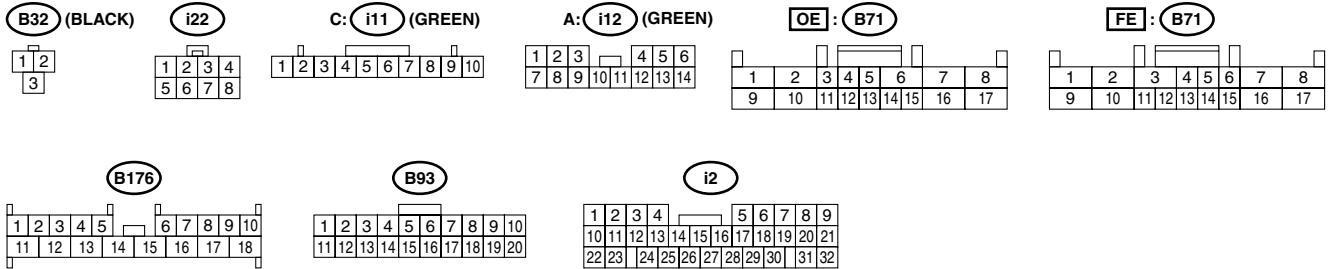
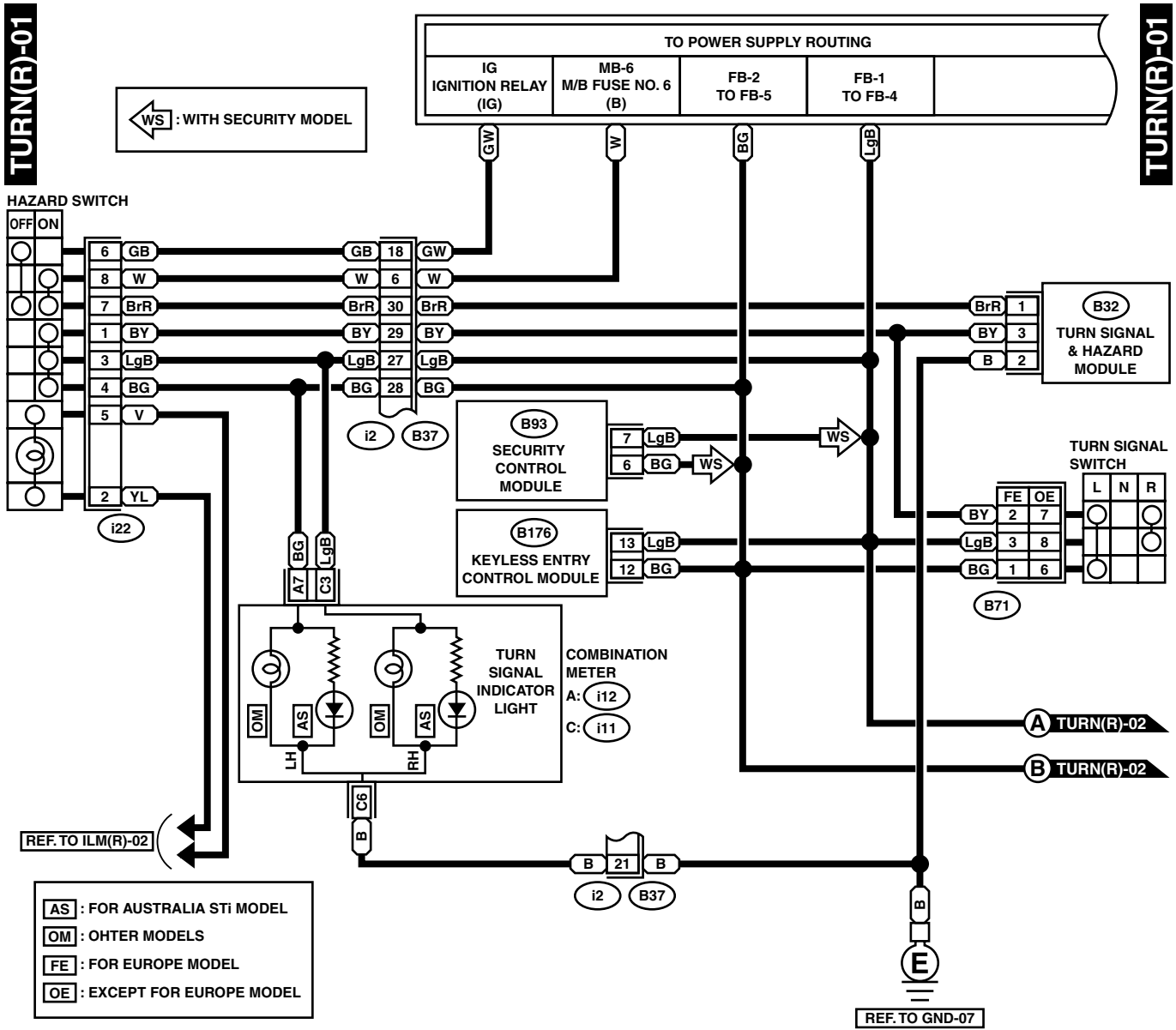


WI-02402

Turn Signal Light and Hazard Light System

WIRING SYSTEM

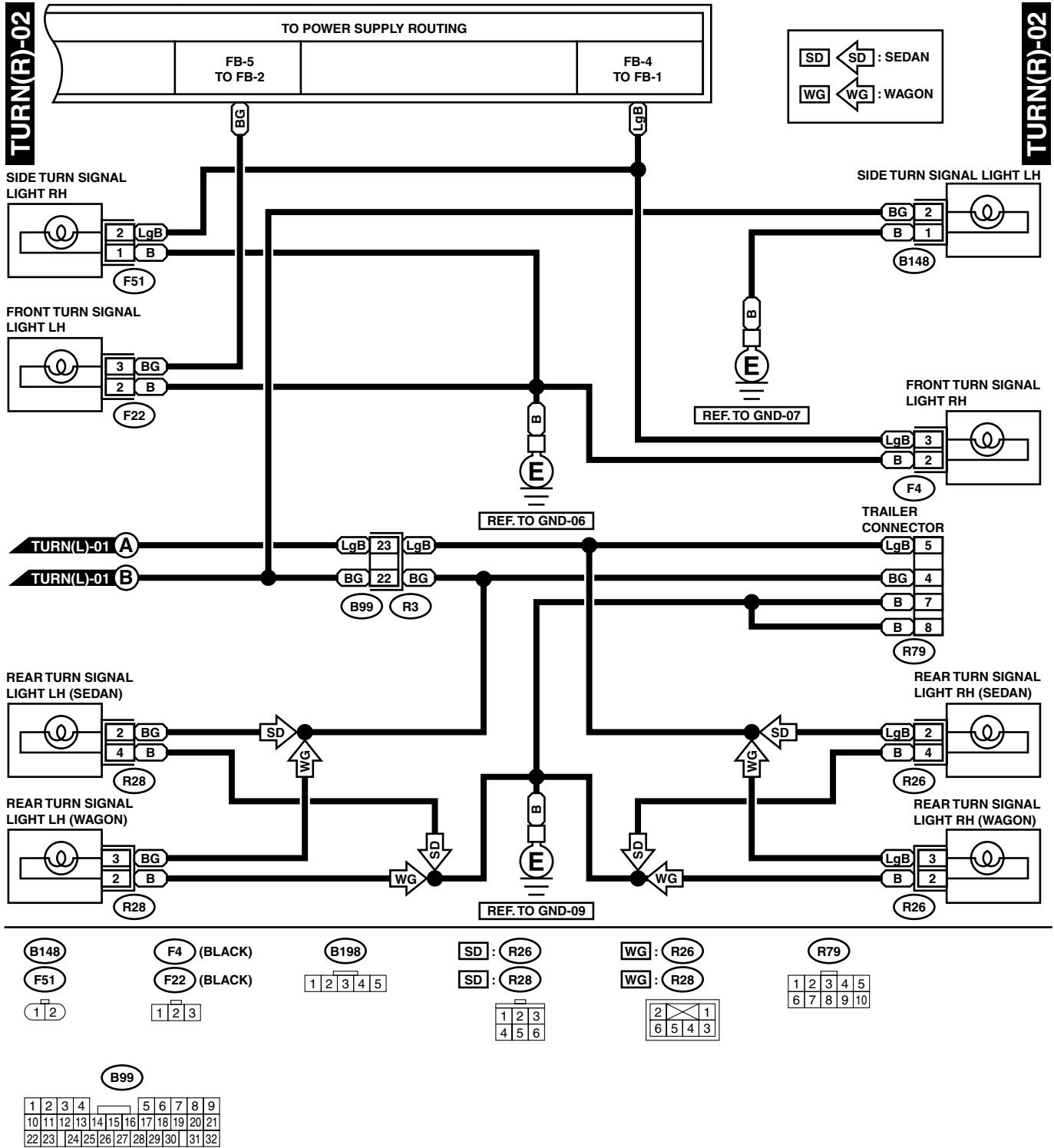
2. RHD MODEL



WI-04574

Turn Signal Light and Hazard Light System

WIRING SYSTEM



WI-04575

Oil Pressure Warning Light System

WIRING SYSTEM

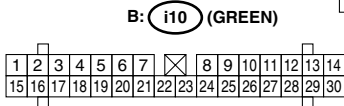
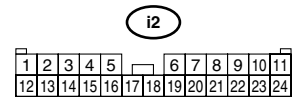
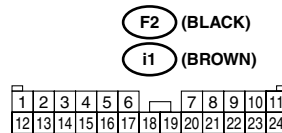
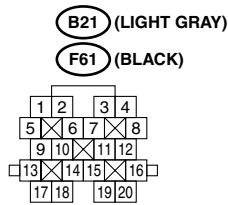
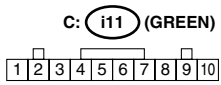
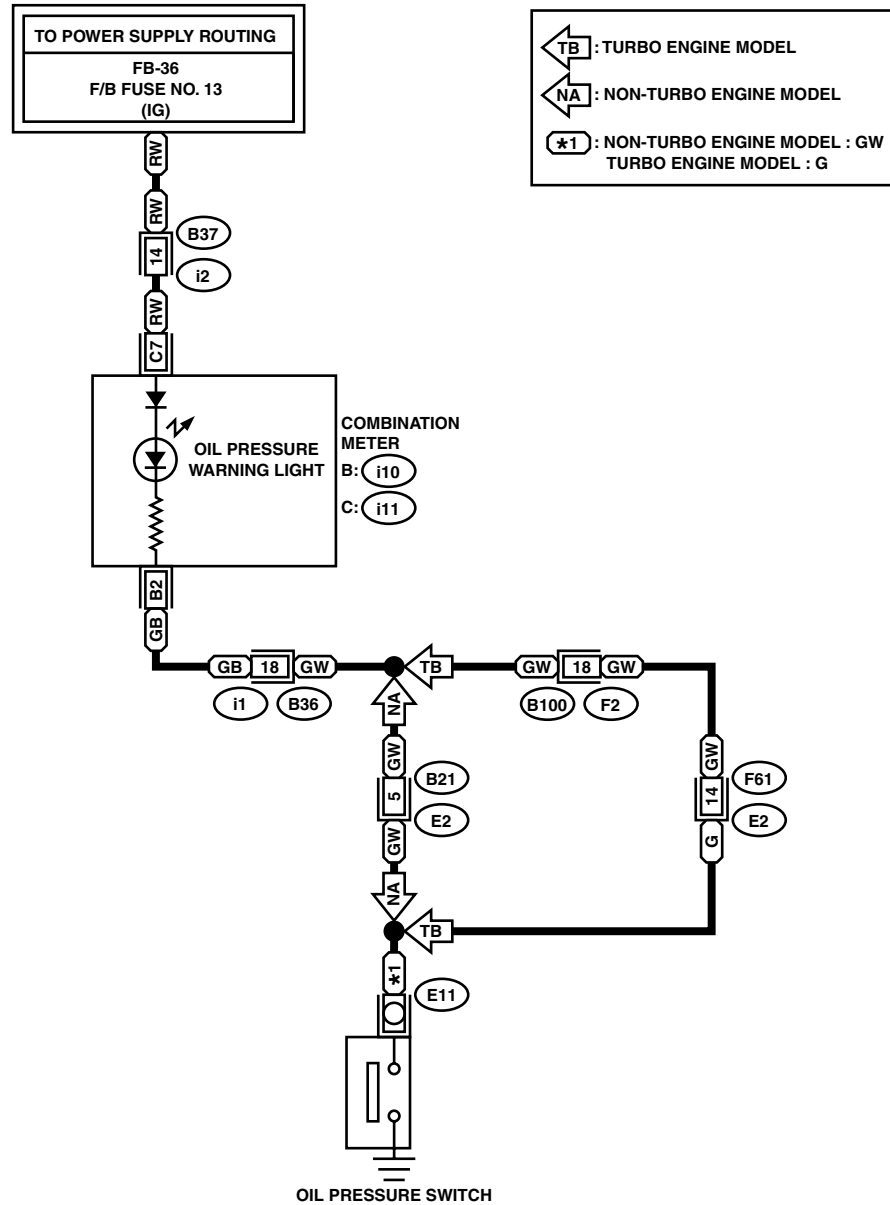
29.Oil Pressure Warning Light System

A: WIRING DIAGRAM

1. LHD MODEL

OIL/P(L)-01

OIL/P(L)-01



WI-02405

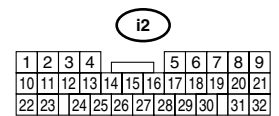
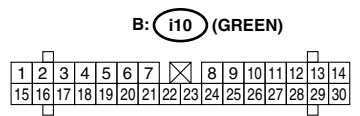
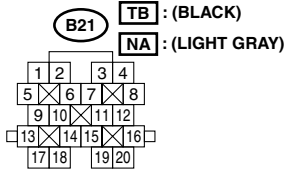
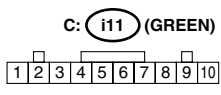
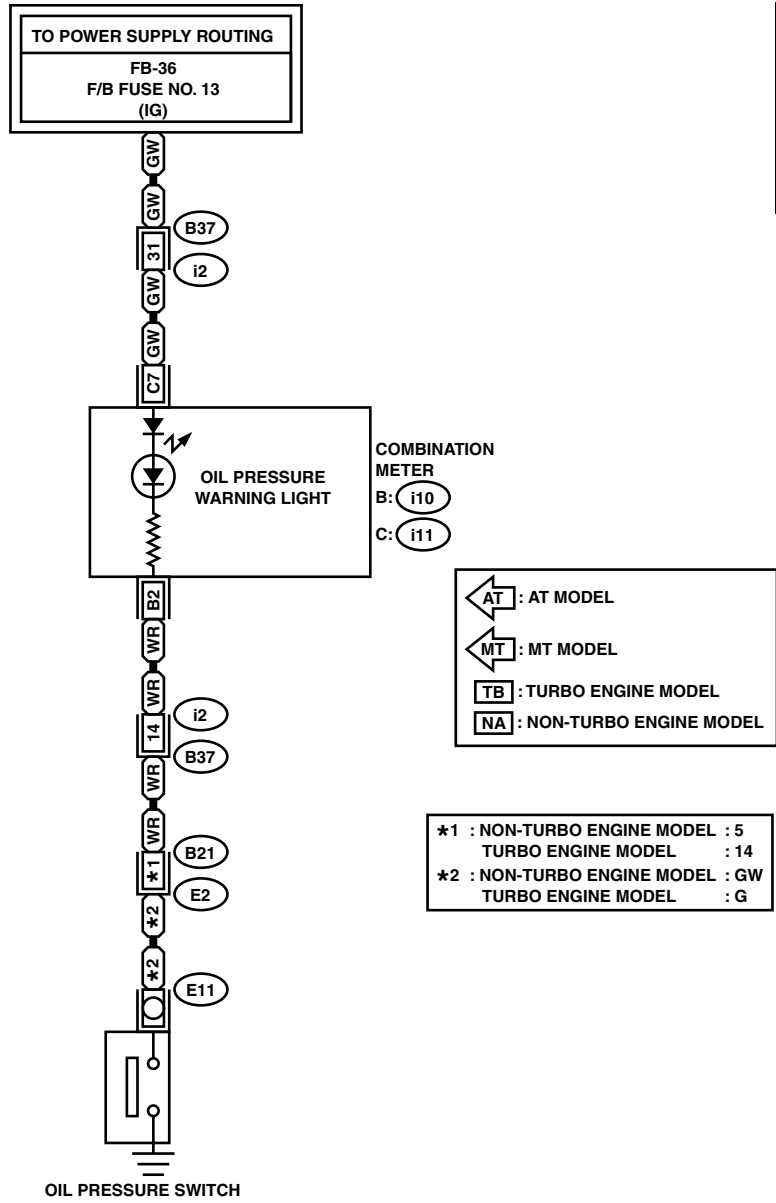
Oil Pressure Warning Light System

WIRING SYSTEM

2. RHD MODEL

OIL/P(R)-01

OIL/P(R)-01



WI-04576

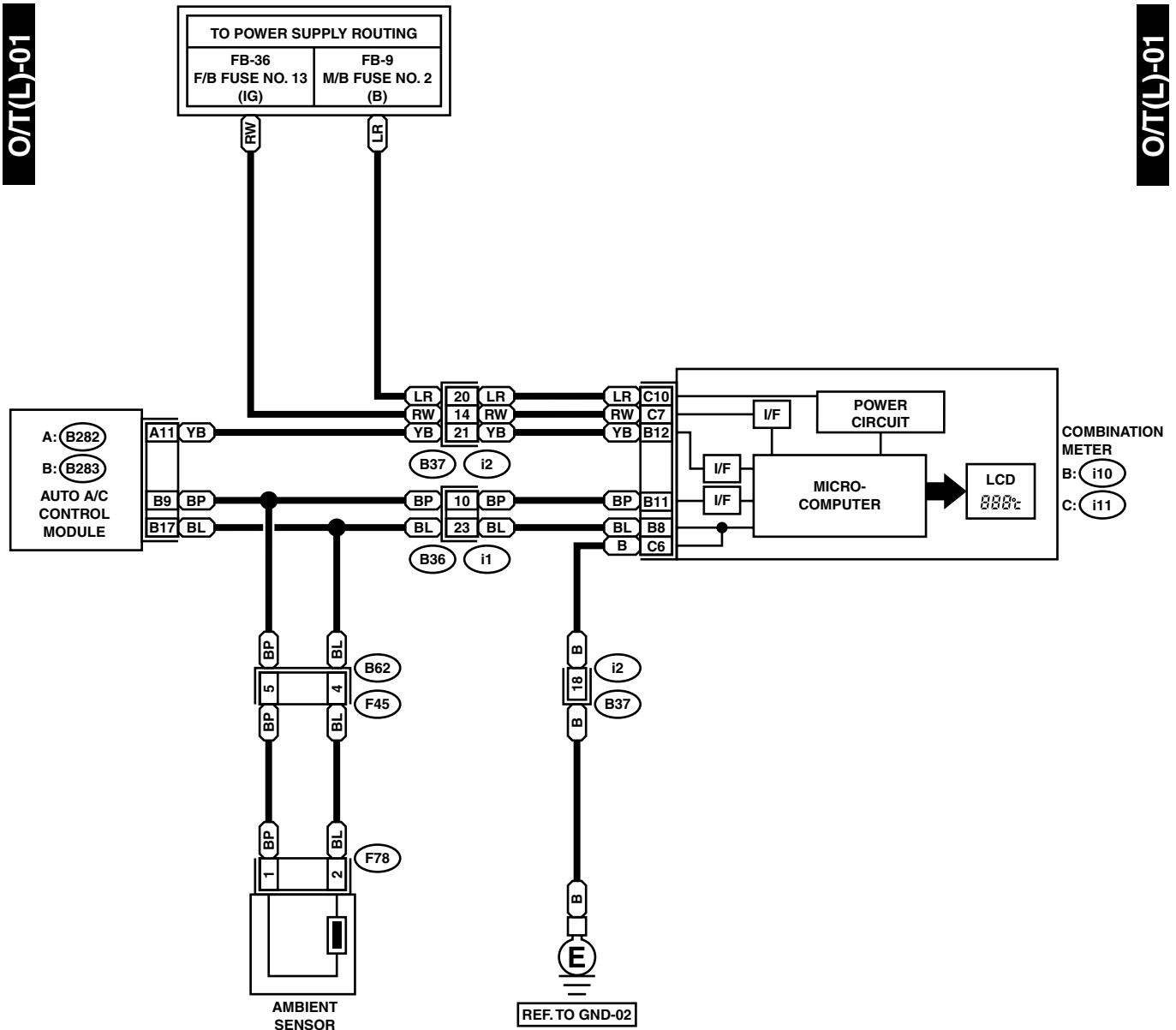
Outside Temperature Display System

WIRING SYSTEM

30. Outside Temperature Display System

A: WIRING DIAGRAM

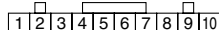
1. LHD MODEL



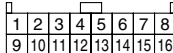
F78 (BLACK)



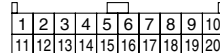
C: i11 (GREEN)



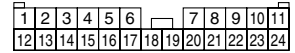
A: B282 (GRAY)



B: B283 (GRAY)

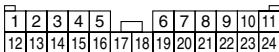


i1 (BROWN)

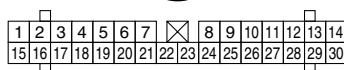


F45

i2



B: i10 (GREEN)



WI-04577

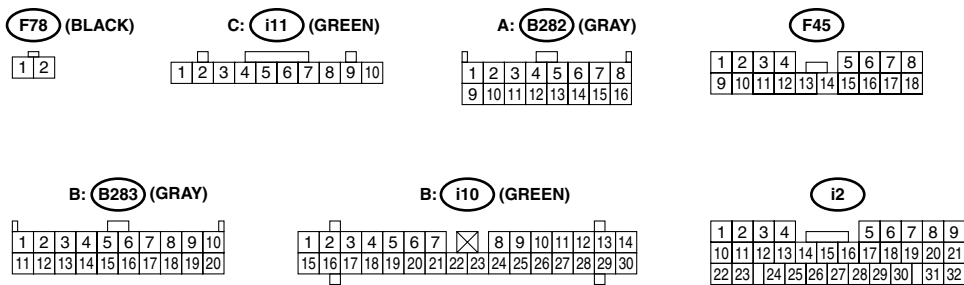
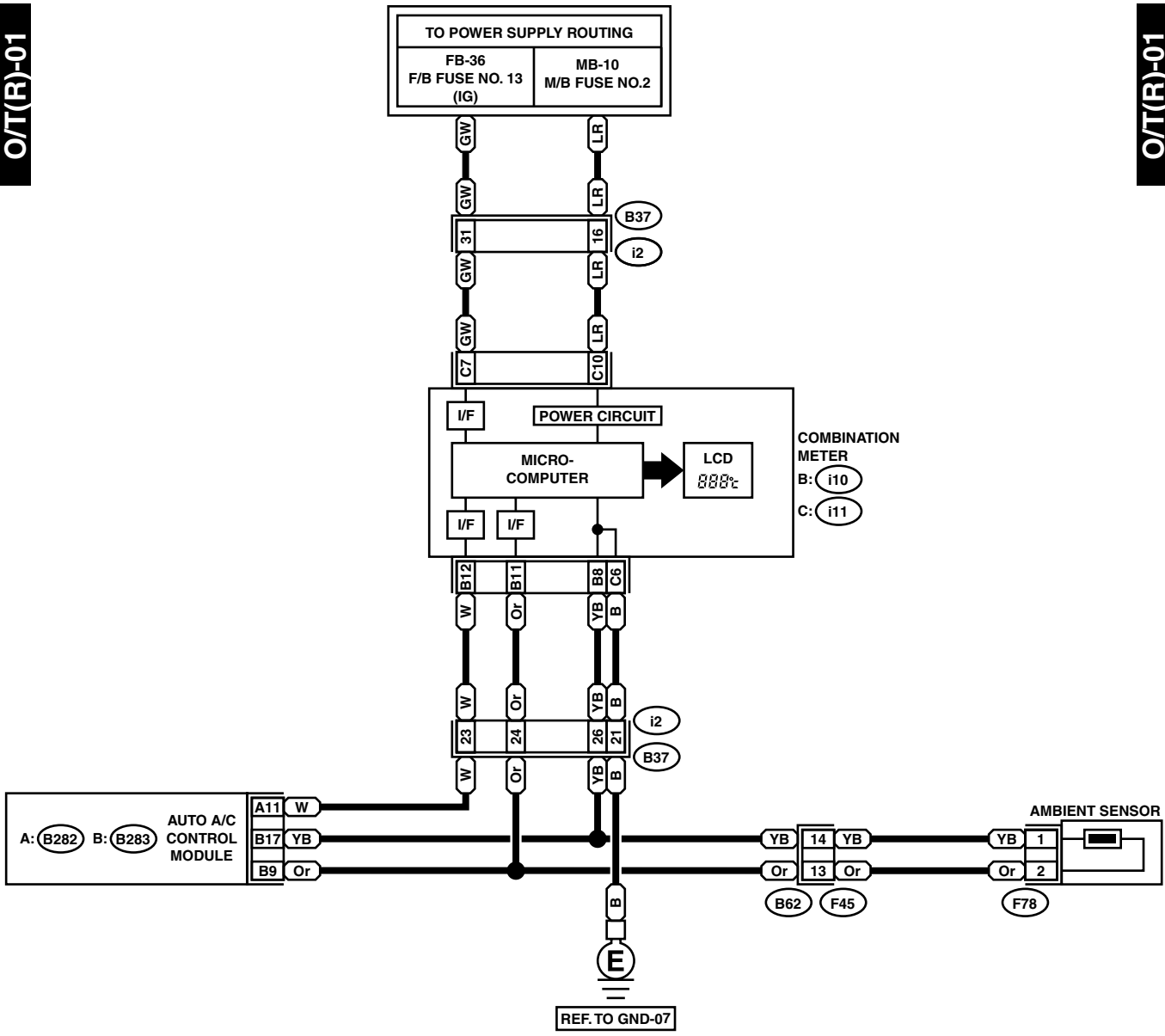
Outside Temperature Display System

WIRING SYSTEM

2. RHD MODEL

O/T(R)-01

O/T(R)-01



WI-02408

Parking Brake and Brake Fluid Level Warning System

WIRING SYSTEM

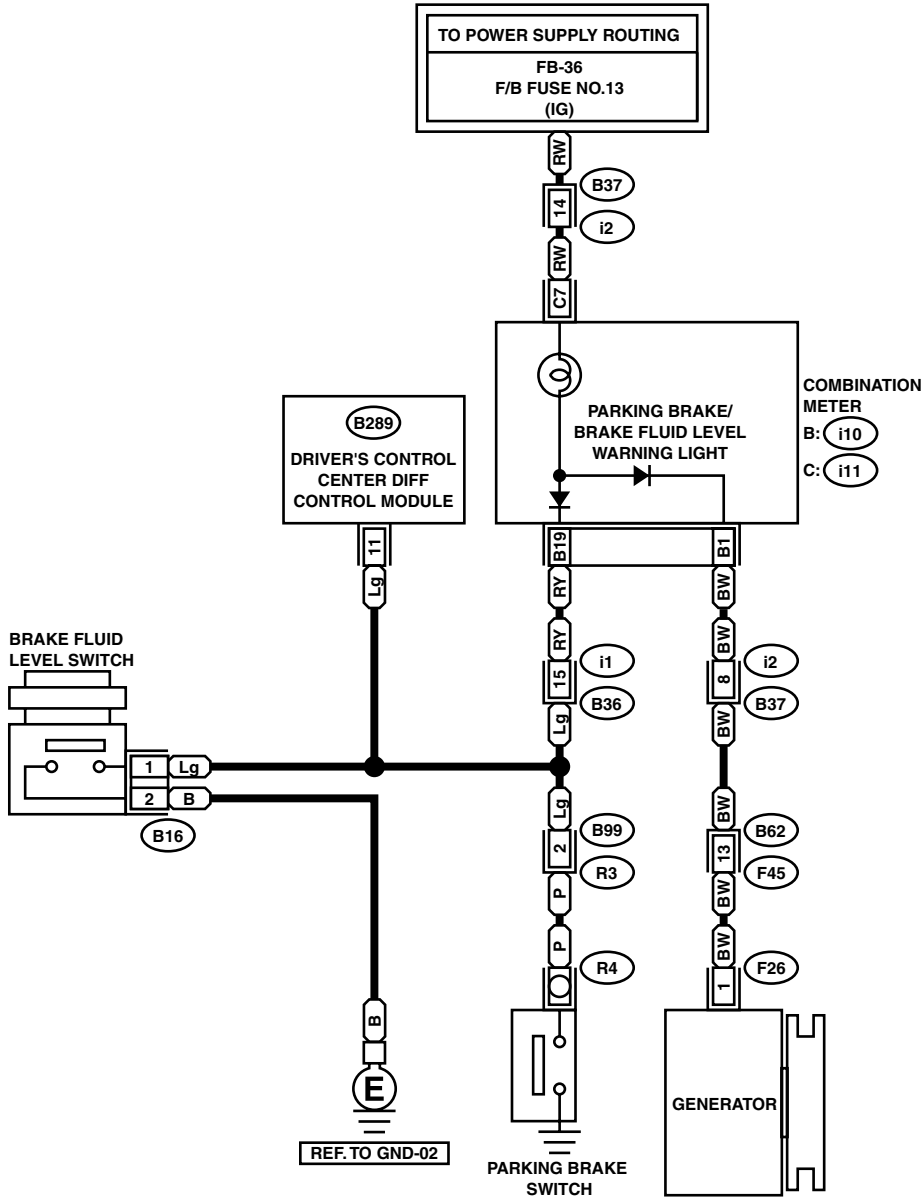
31. Parking Brake and Brake Fluid Level Warning System

A: WIRING DIAGRAM

1. LHD MODEL

BR/W(L)-01

BR/W(L)-01



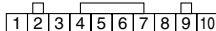
B16 (GRAY)



F26 (GREEN)



C: i11 (GREEN)



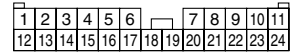
B99



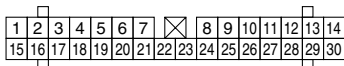
F45

i2

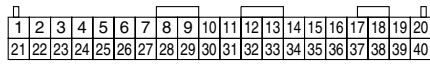
i1 (BROWN)



B: i10 (GREEN)



B289



WI-04500

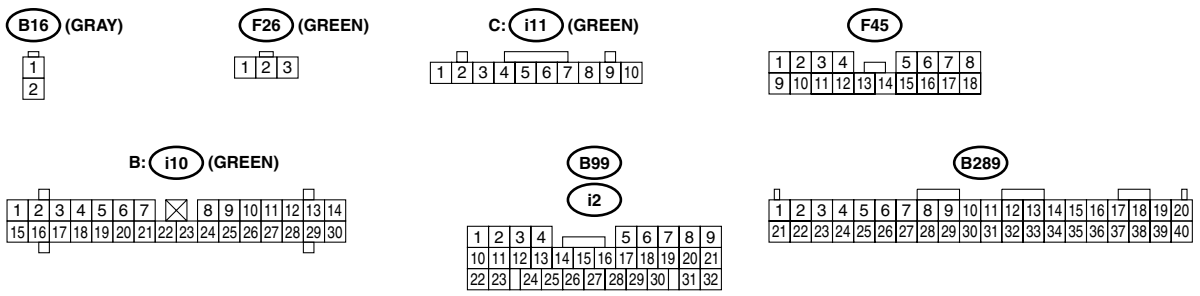
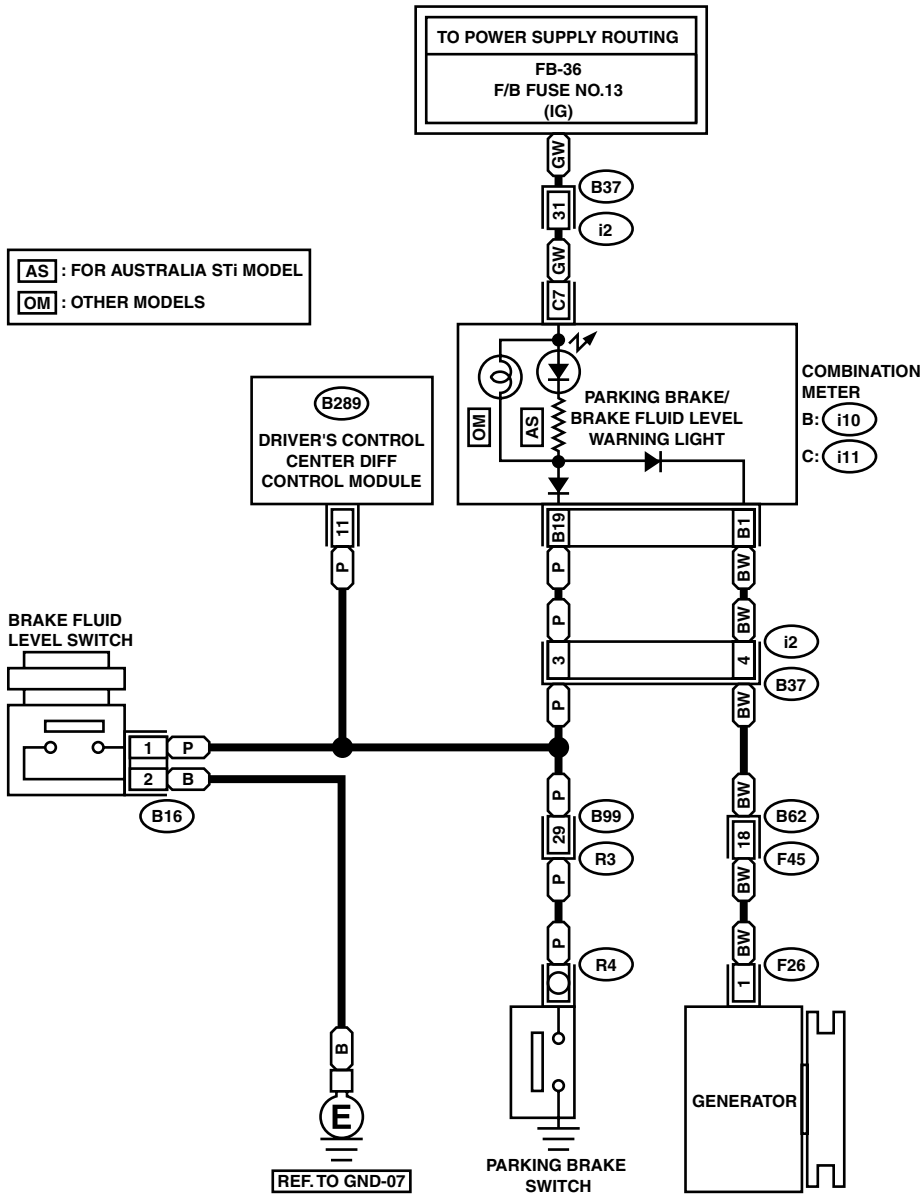
Parking Brake and Brake Fluid Level Warning System

WIRING SYSTEM

2. RHD MODEL

BR/W(R)-01

BR/W(R)-01



WI-04501

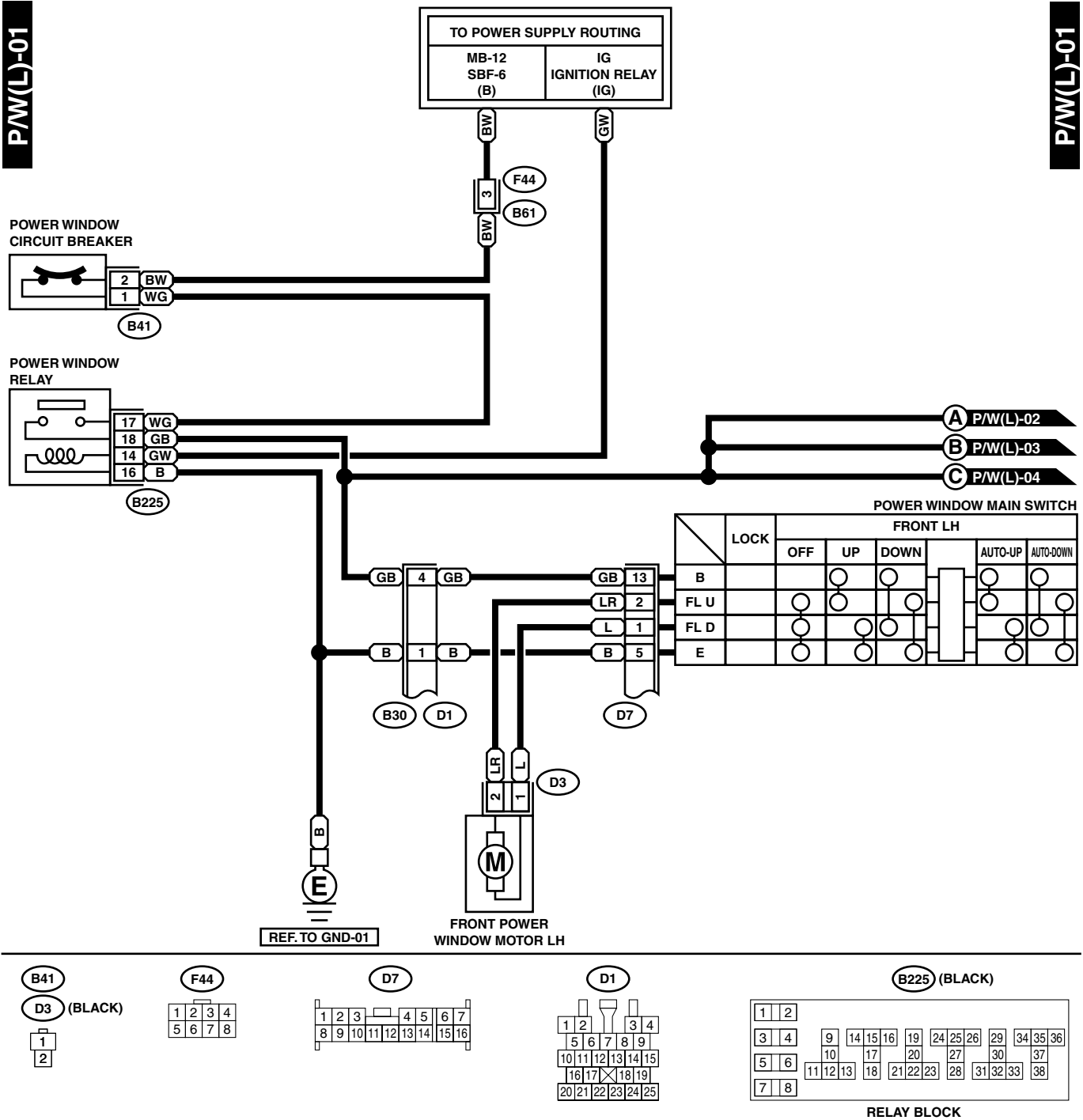
Power Window System

WIRING SYSTEM

32. Power Window System

A: WIRING DIAGRAM

1. LHD MODEL



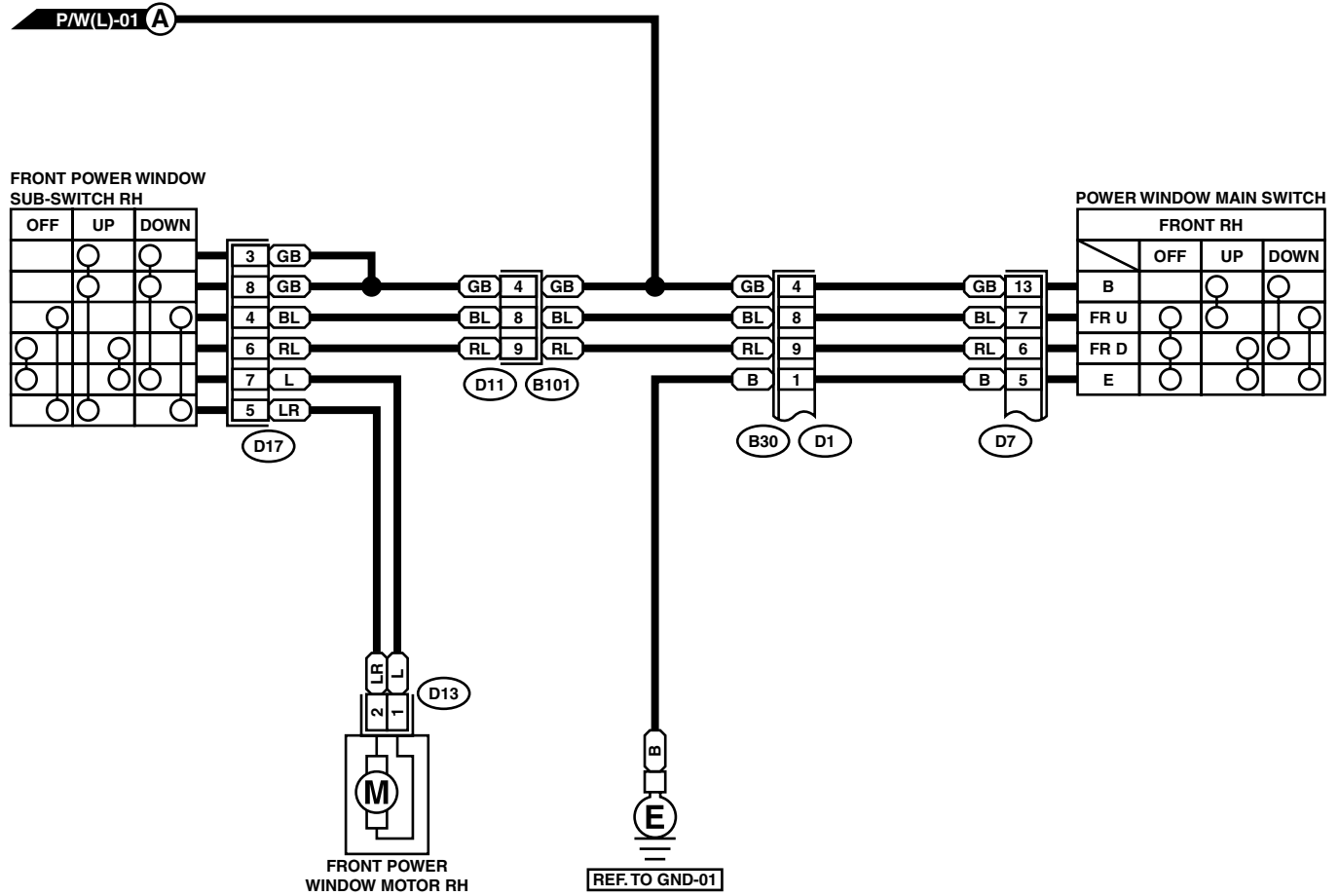
WI-04502

Power Window System

WIRING SYSTEM

P/W(L)-02

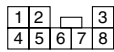
P/W(L)-02



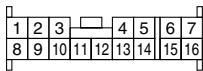
D13 (BLACK)



D17

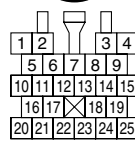


D7



D1

D11



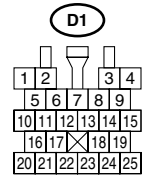
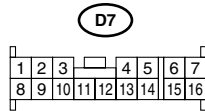
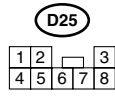
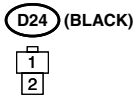
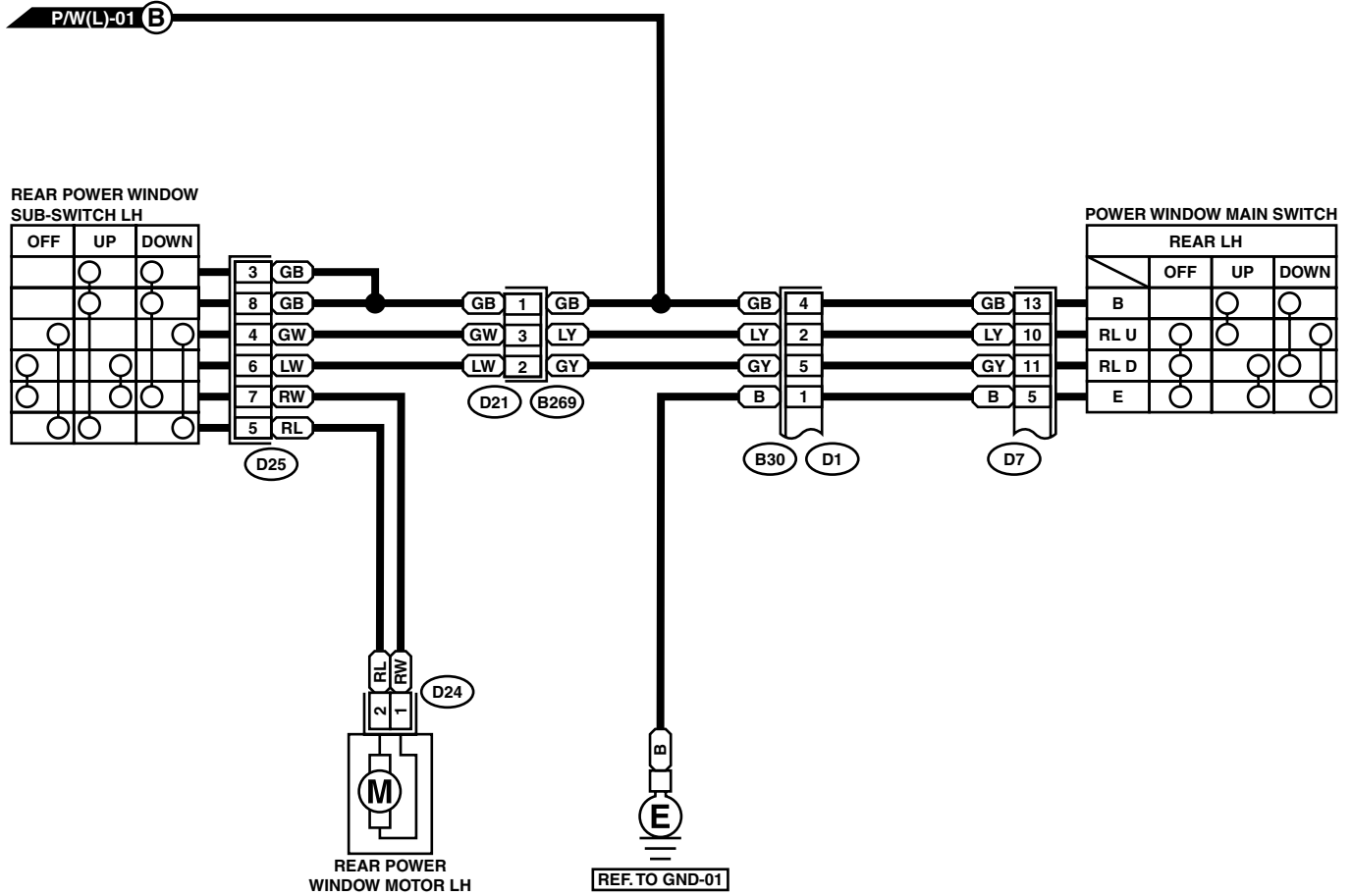
WI-04503

Power Window System

WIRING SYSTEM

P/W(L)-03

P/W(L)-03



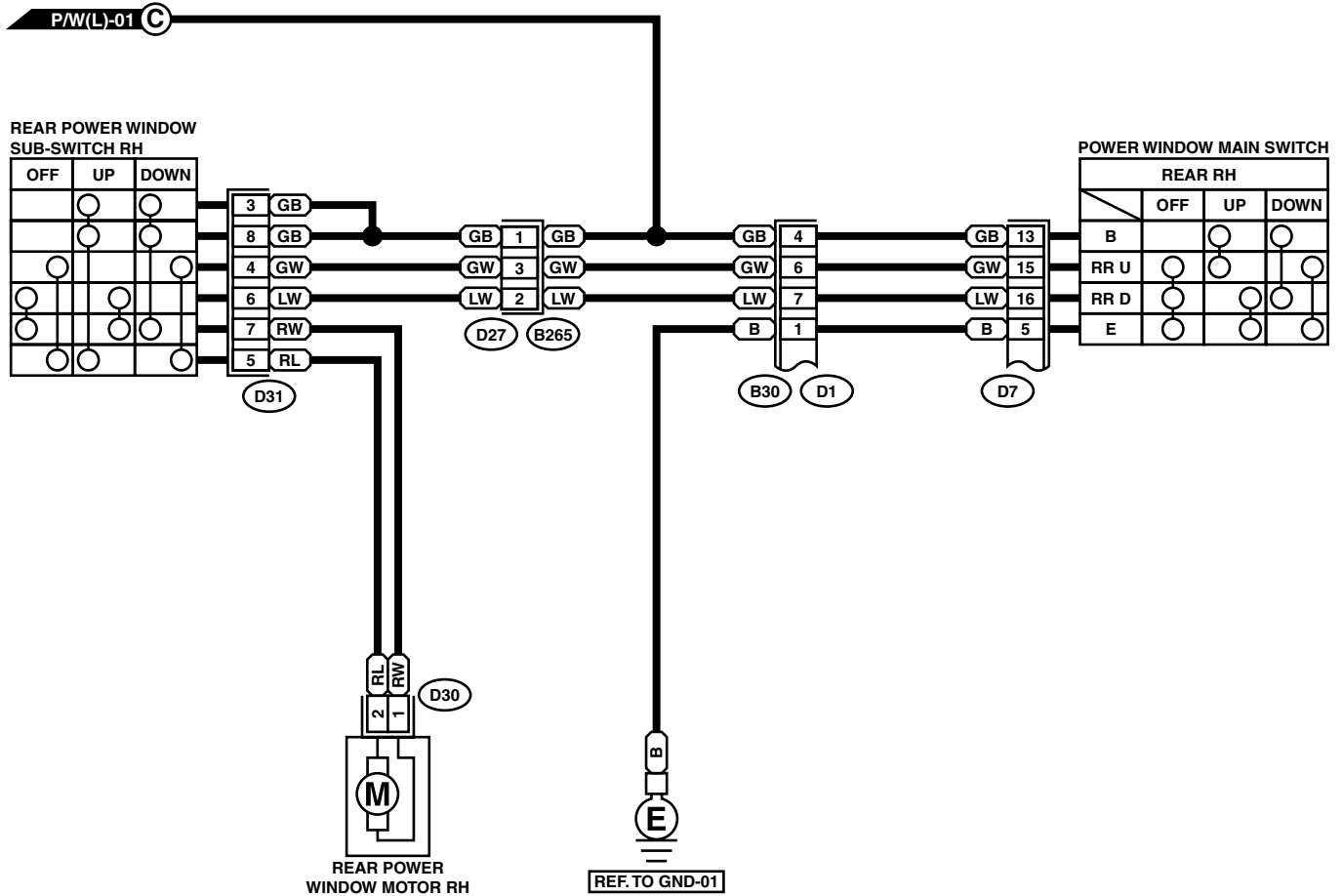
WI-04504

Power Window System

WIRING SYSTEM

P/W(L)-04

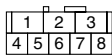
P/W(L)-04



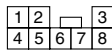
D30 (BLACK)



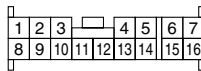
D27



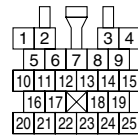
D31



D7



D1

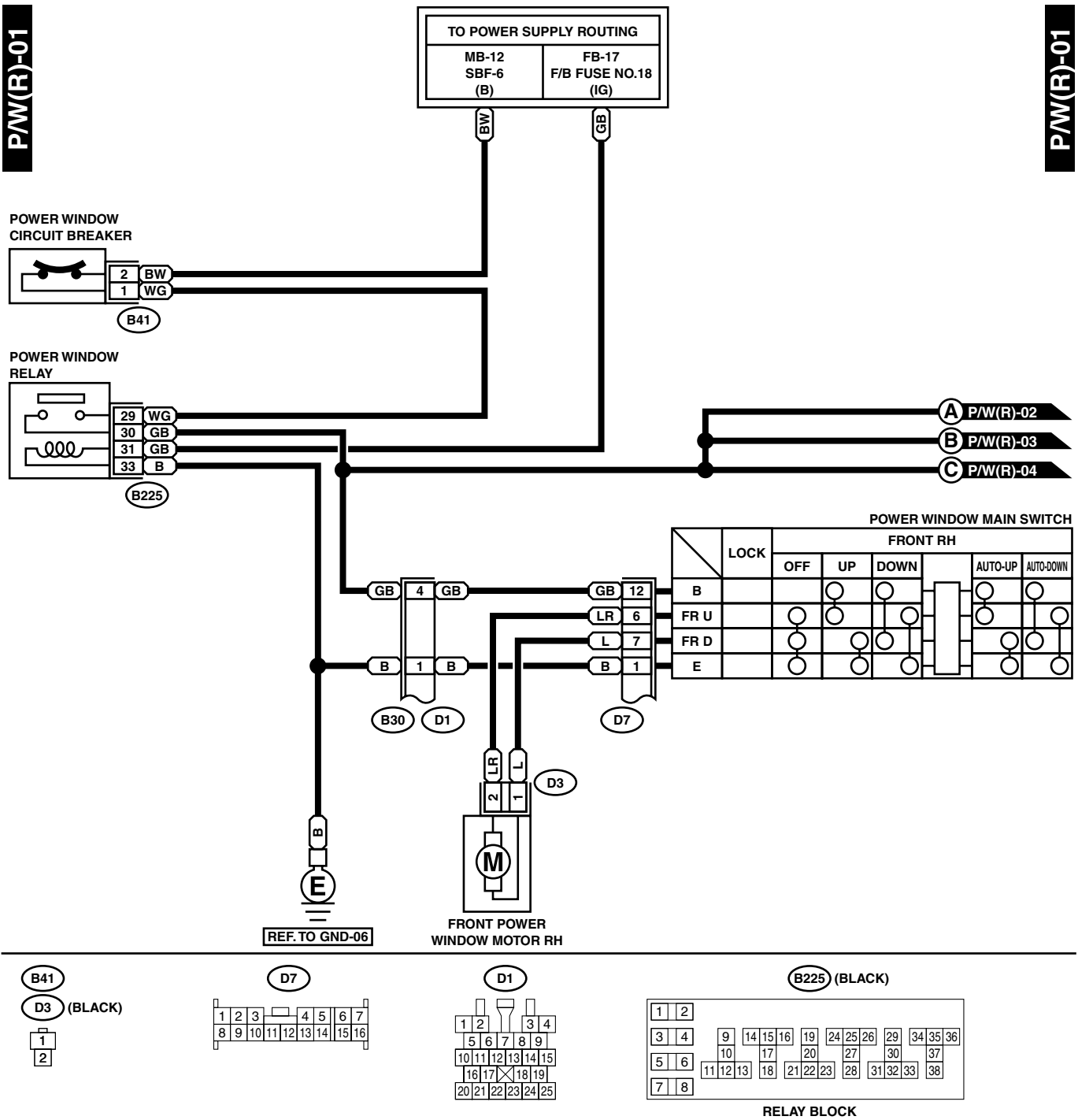


WI-04505

Power Window System

WIRING SYSTEM

2. RHD MODEL



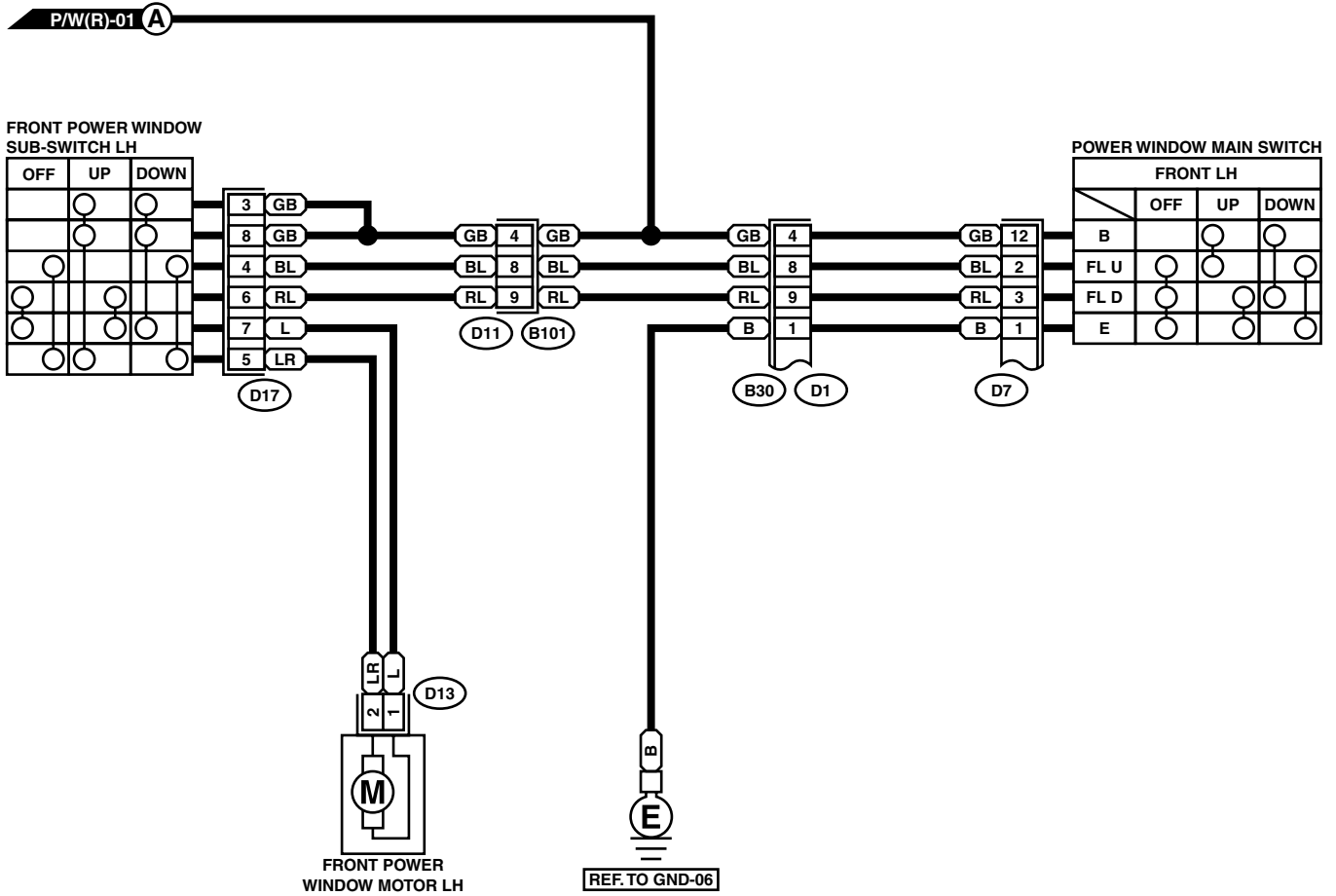
WI-04506

Power Window System

WIRING SYSTEM

P/W(R)-02

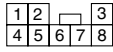
P/W(R)-02



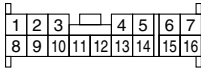
D13 (BLACK)



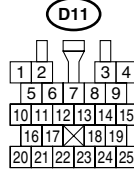
D17



D7



D1



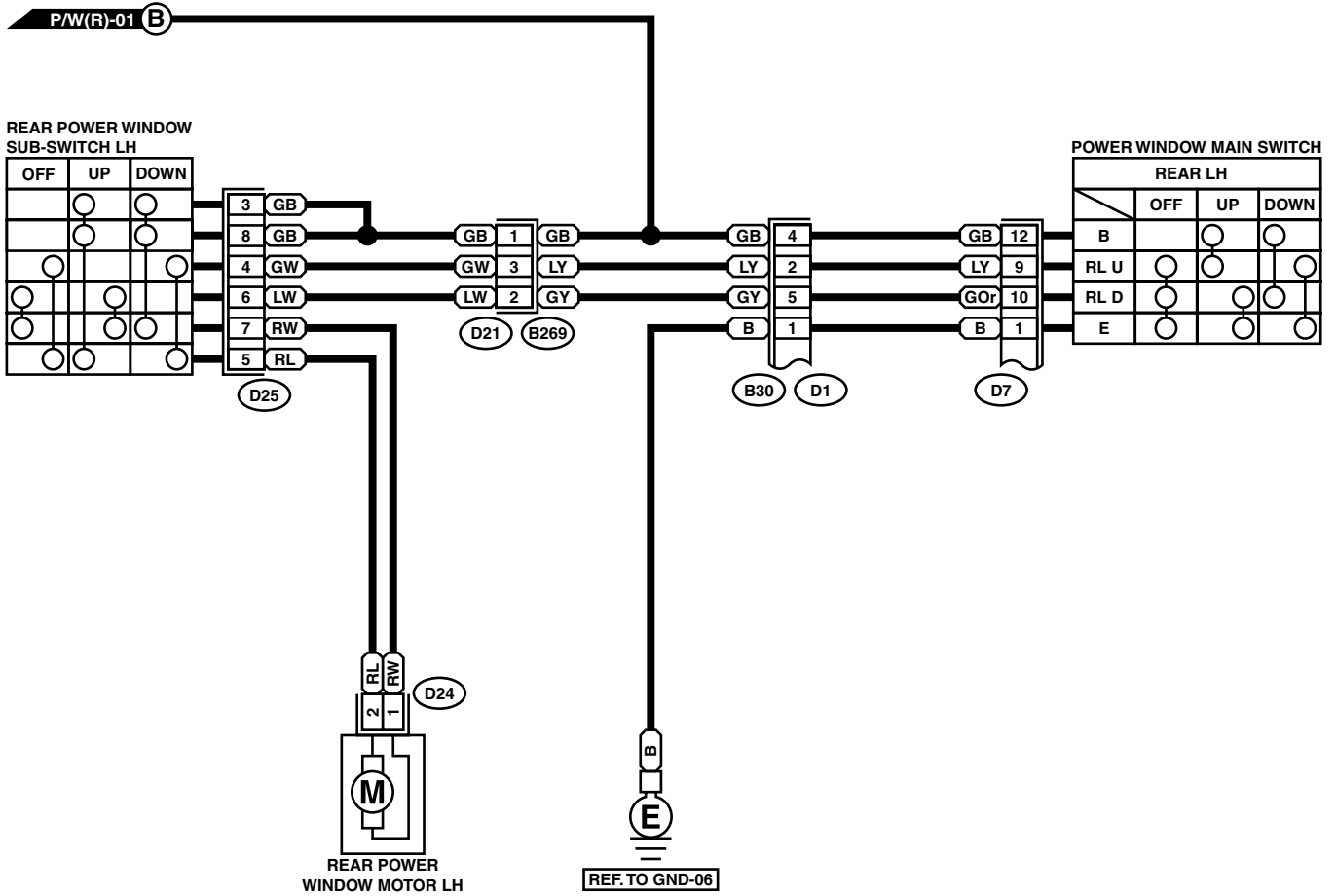
WI-04507

Power Window System

WIRING SYSTEM

P/W(R)-03

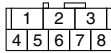
P/W(R)-03



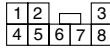
D24 (BLACK)



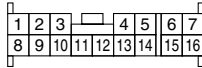
D21



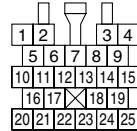
D25



D7



D1



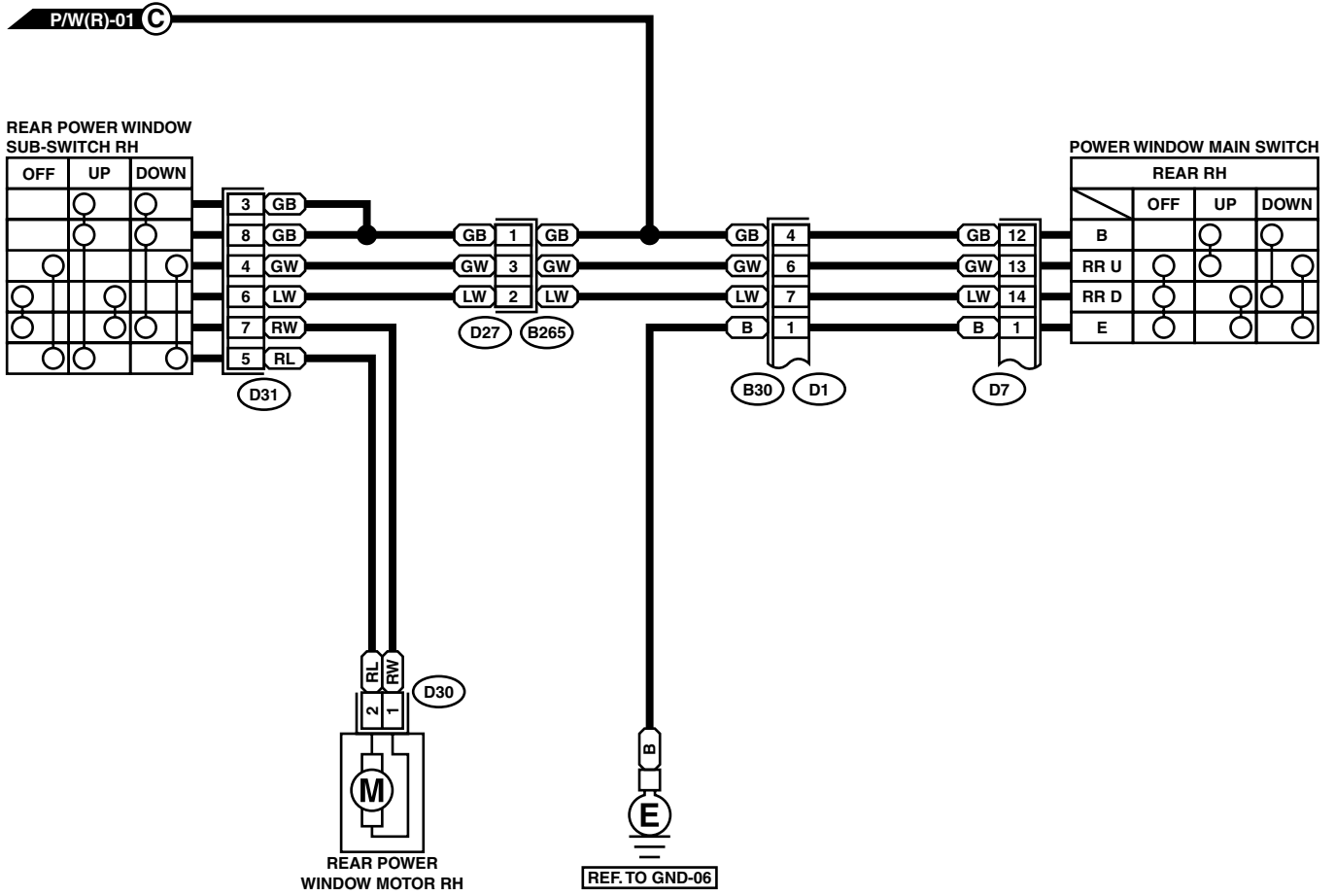
WI-04508

Power Window System

WIRING SYSTEM

P/W(R)-04

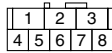
P/W(R)-04



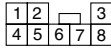
D30 (BLACK)



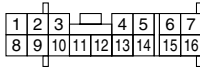
D27



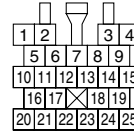
D31



D7



D1



WI-04509

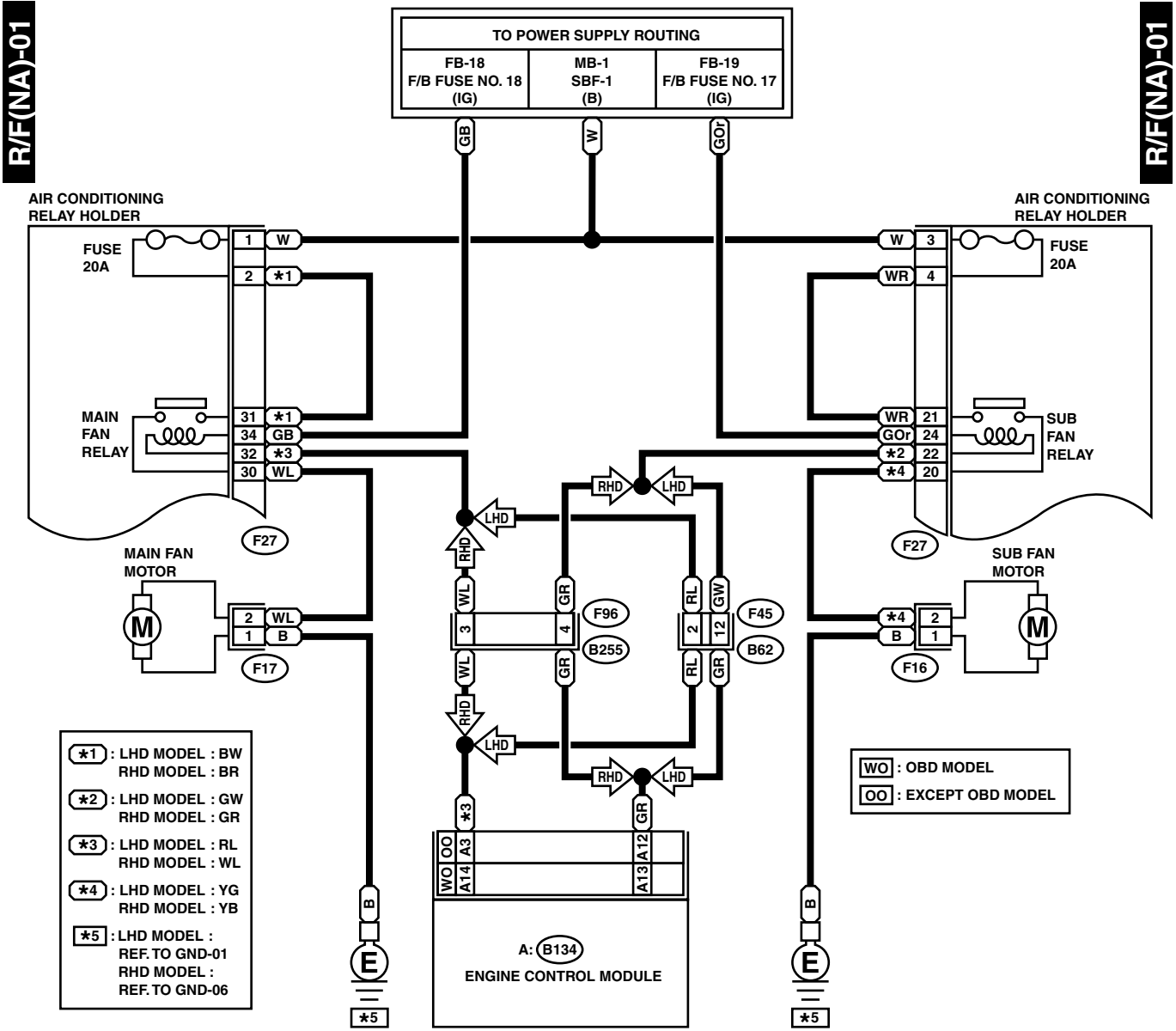
Radiator Fan System

WIRING SYSTEM

33.Radiator Fan System

A: WIRING DIAGRAM

1. NON-TURBO ENGINE MODEL



F16 (BLACK)



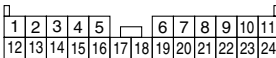
F17 (GRAY)



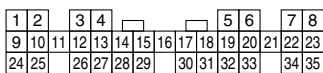
F96



F45



A: B134



F27 (BLACK)



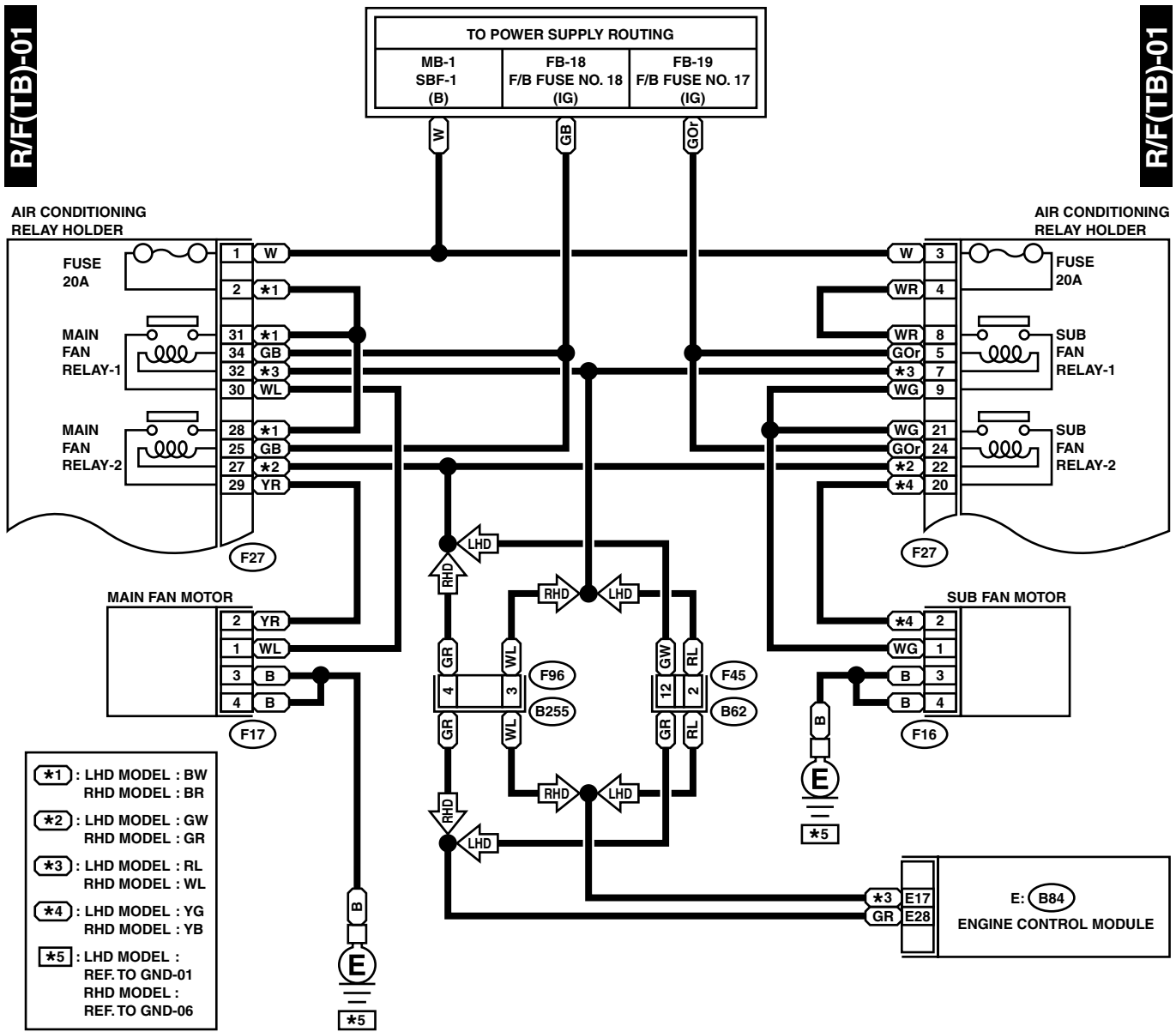
RELAY HOLDER

WI-04510

Radiator Fan System

WIRING SYSTEM

2. TURBO ENGINE MODEL



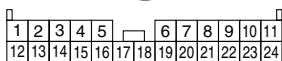
F16 (GRAY)

F17 (GRAY)

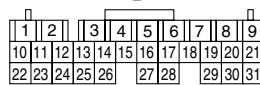
F96



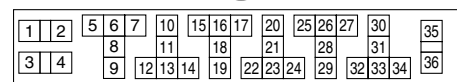
F45



E: B84



F27 (BLACK)



RELAY HOLDER

WI-04511

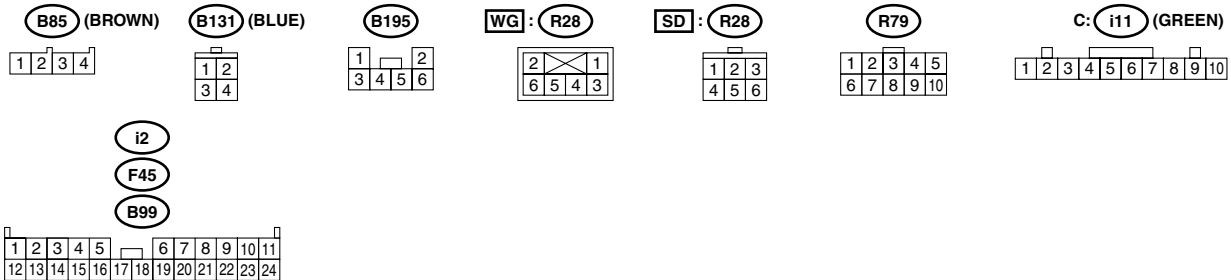
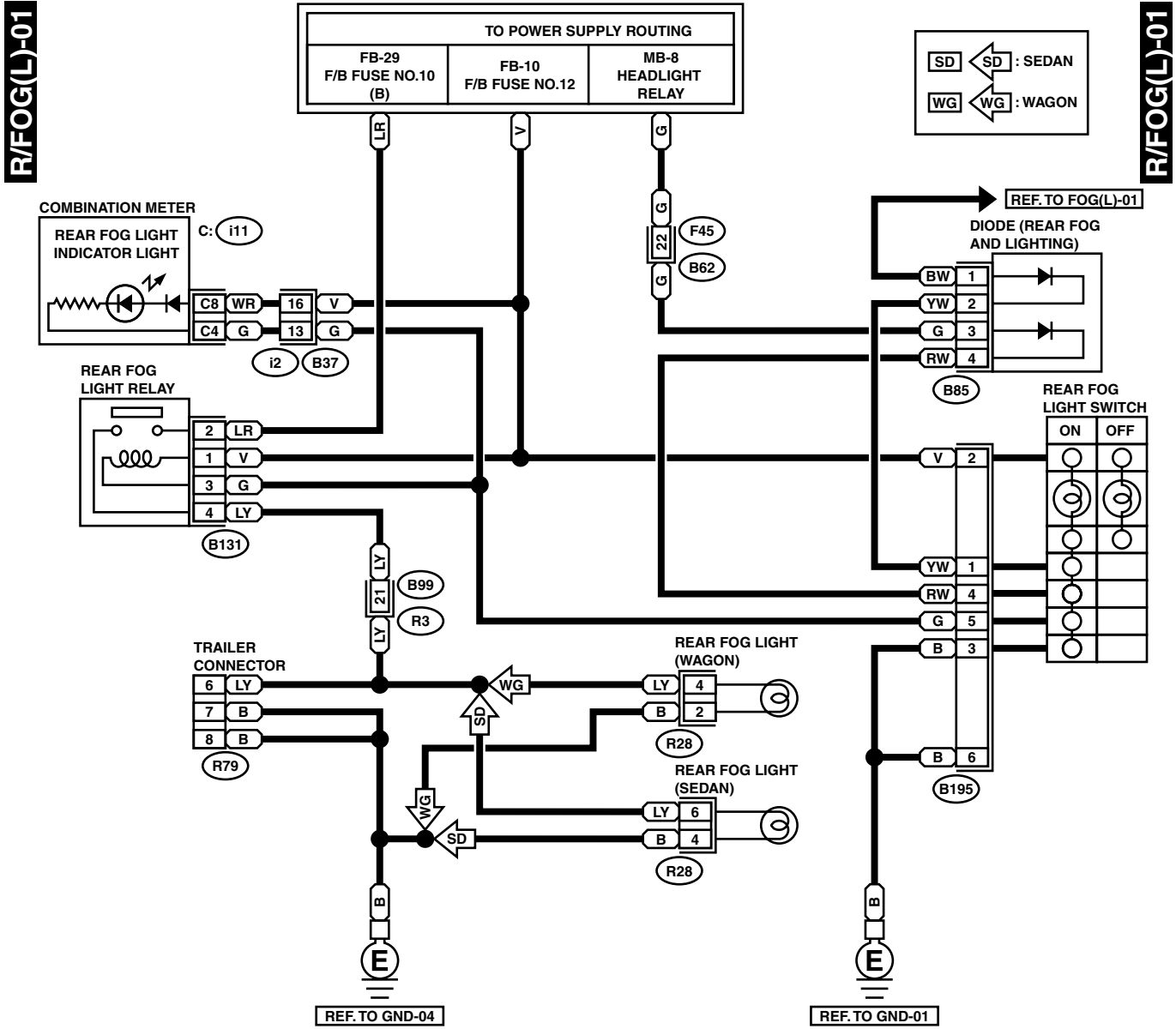
Rear Fog Light System

WIRING SYSTEM

34.Rear Fog Light System

A: WIRING DIAGRAM

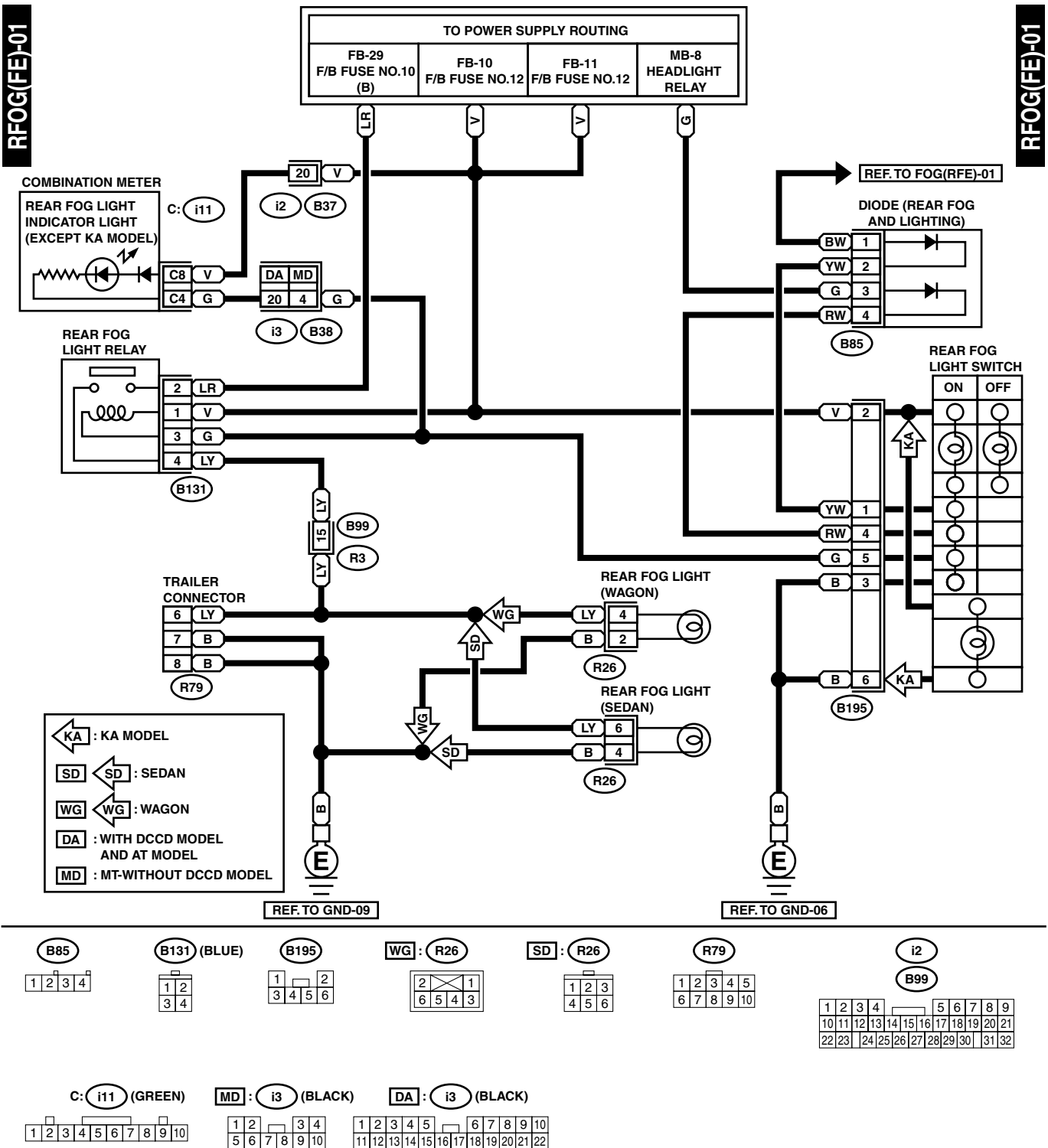
1. LHD MODEL



WI-04512

Rear Fog Light System

2. RHD MODEL



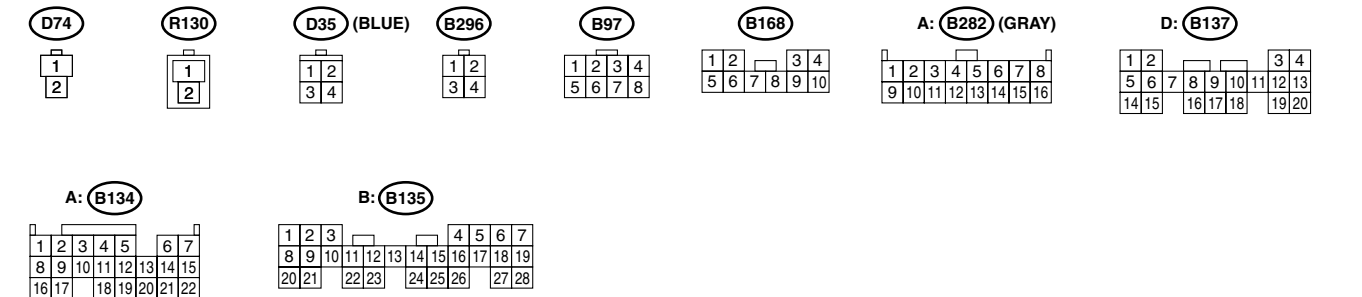
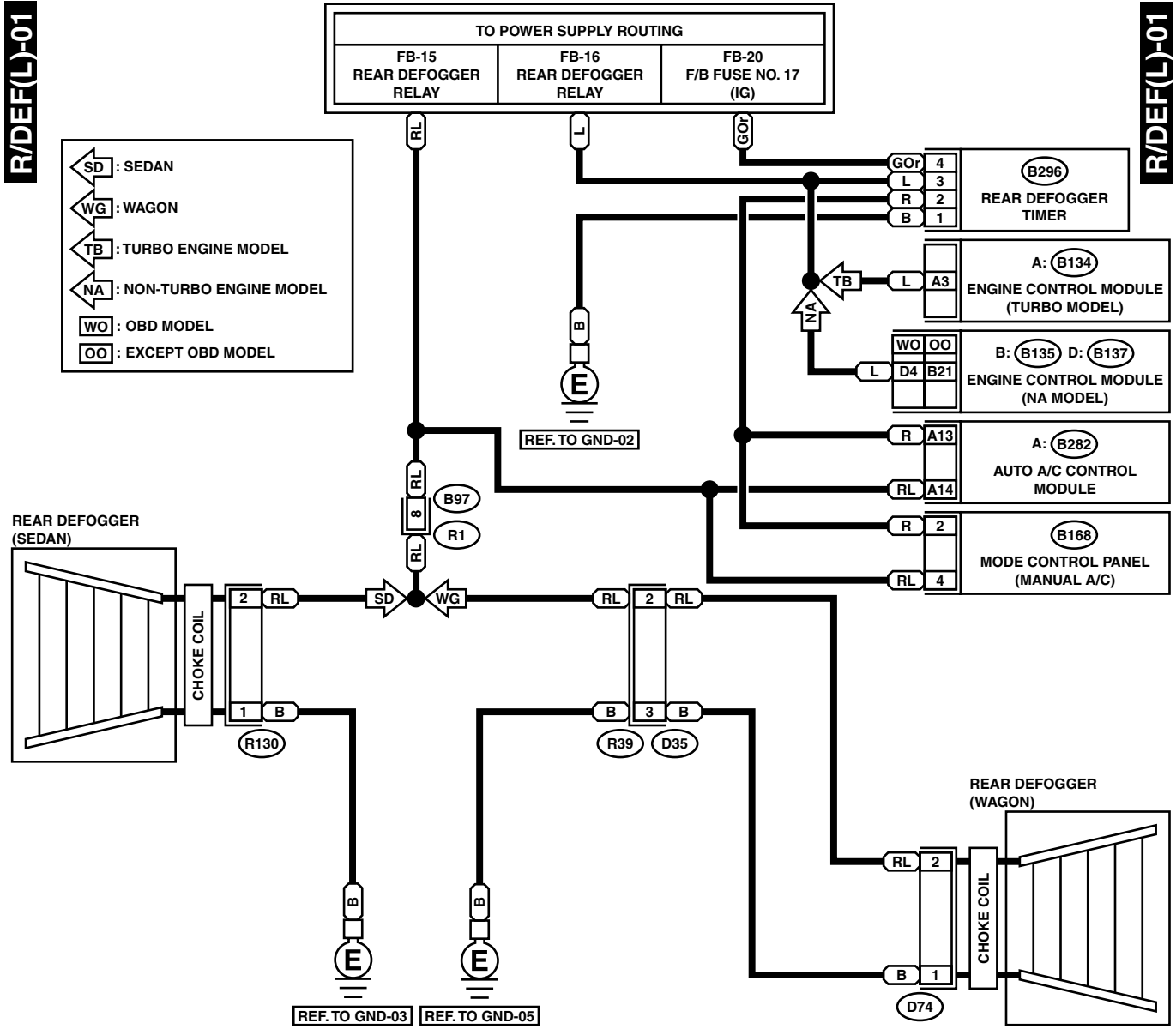
Rear Window Defogger System

WIRING SYSTEM

35.Rear Window Defogger System

A: WIRING DIAGRAM

1. LHD MODEL



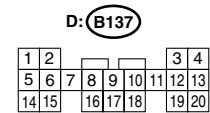
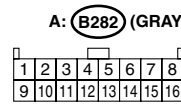
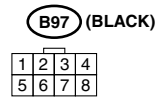
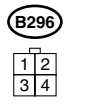
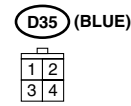
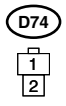
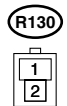
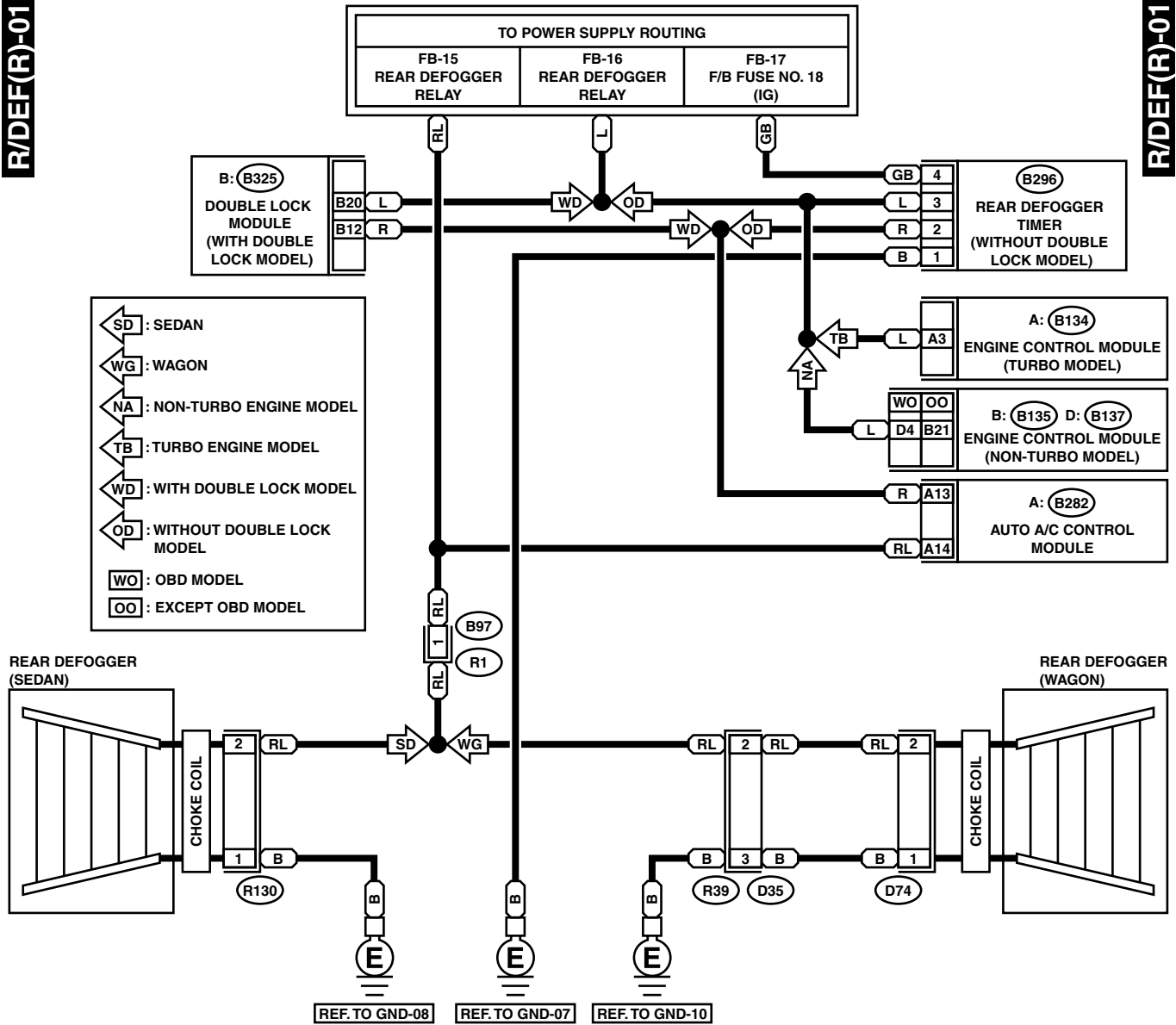
WI-04578

Rear Window Defogger System

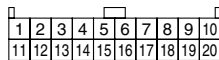
2. RHD MODEL

R/DEF(R)-01

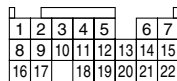
R/DEF(R)-01



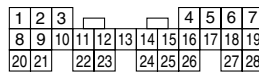
B: (B325) (GRAY)



A: (B134)



B: (B135)



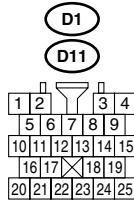
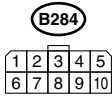
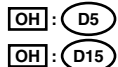
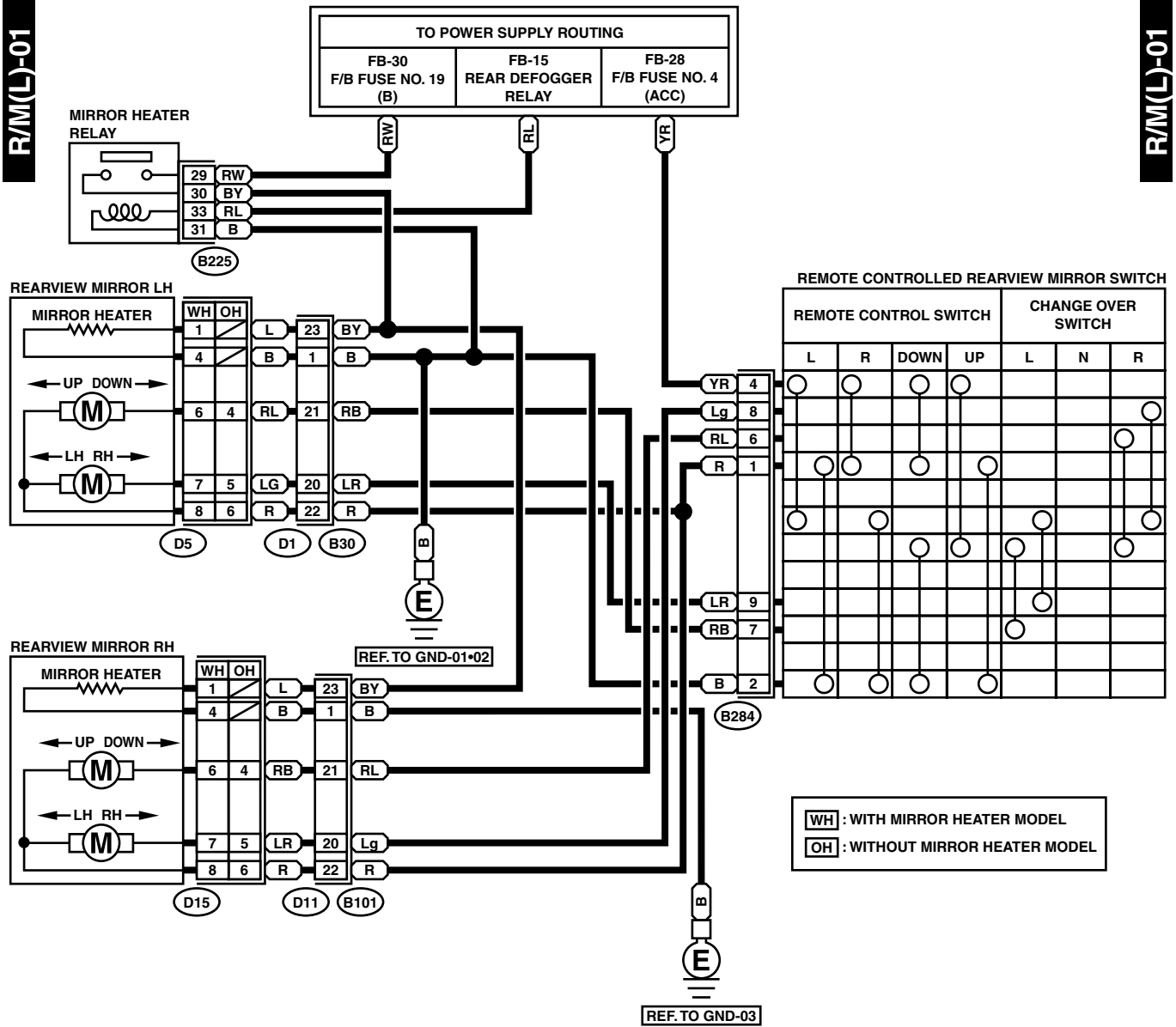
Remote Controlled Rearview Mirror System

WIRING SYSTEM

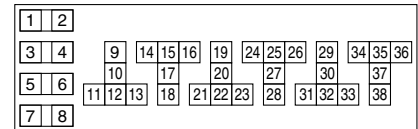
36. Remote Controlled Rearview Mirror System

A: WIRING DIAGRAM

1. LHD MODEL



B225 (BLACK)

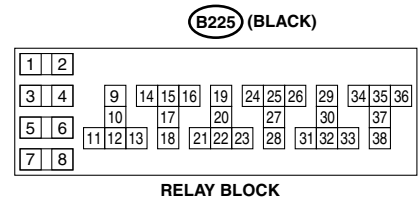
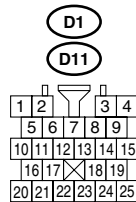
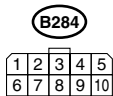
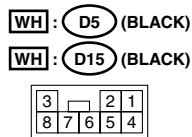
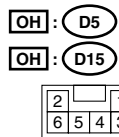
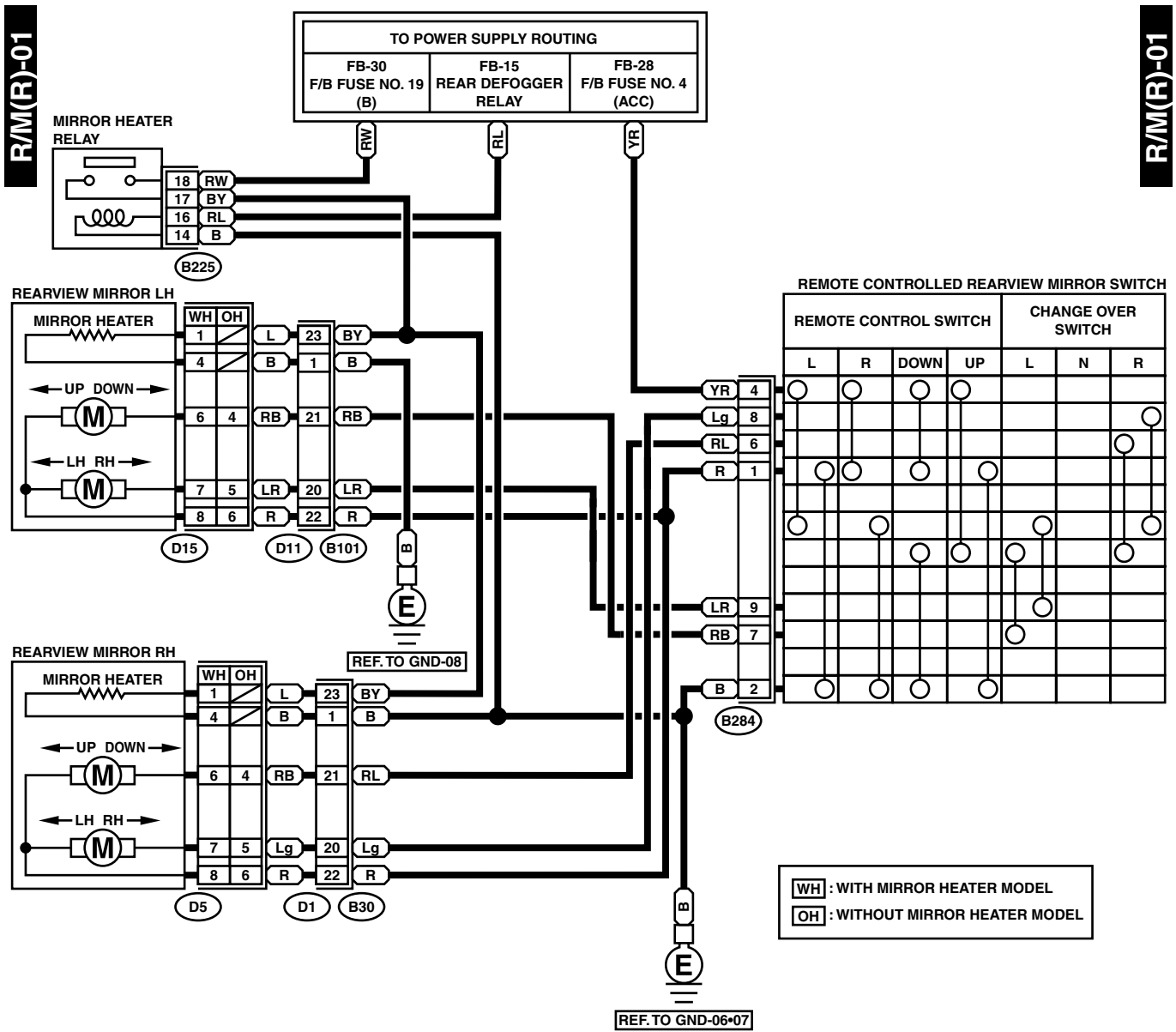


WI-04580

Remote Controlled Rearview Mirror System

WIRING SYSTEM

2. RHD MODEL



WI-04581

Seat Belt Warning System

WIRING SYSTEM

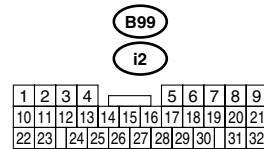
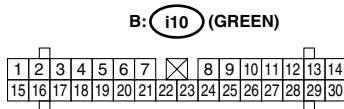
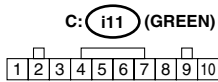
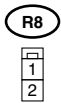
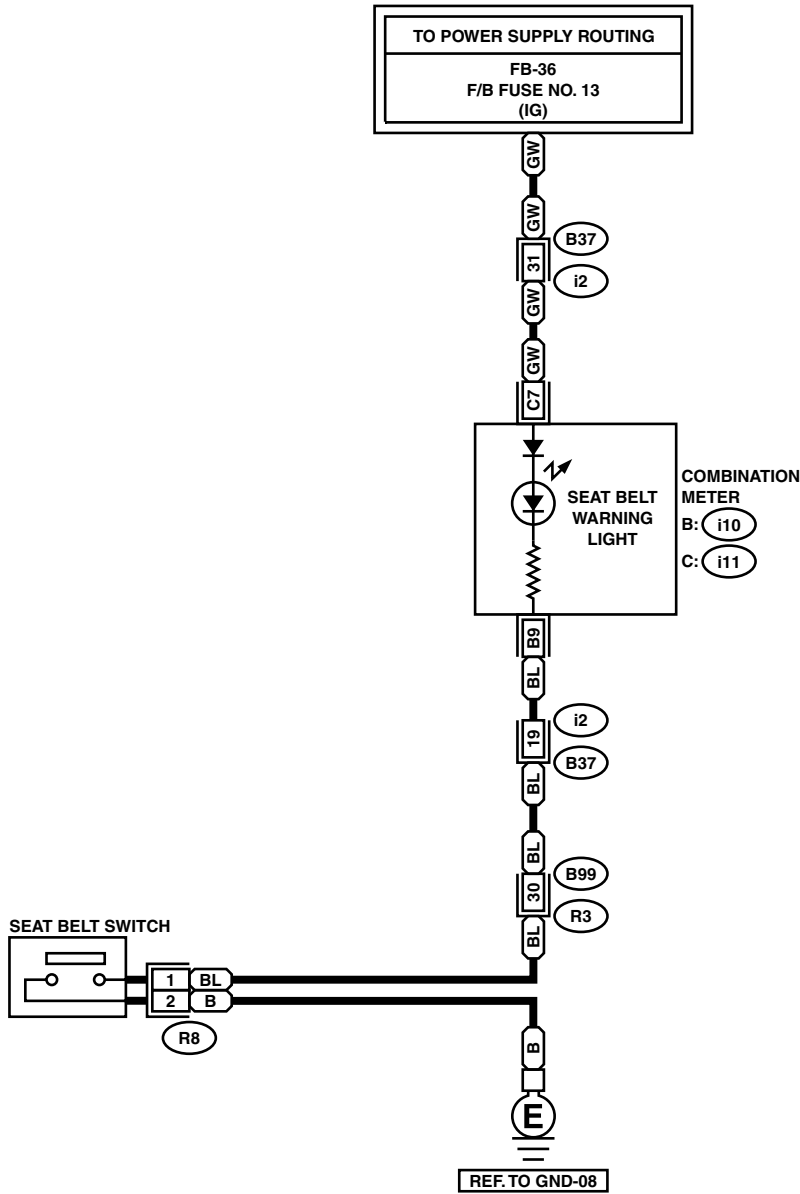
37. Seat Belt Warning System

A: WIRING DIAGRAM

1. WITHOUT SEAT BELT TIMER MODEL

S/BELT-01

S/BELT-01



WI-02427

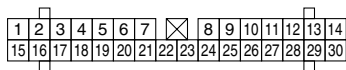
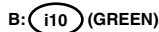
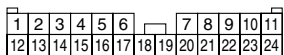
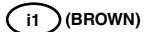
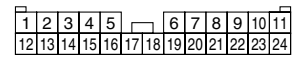
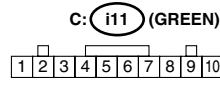
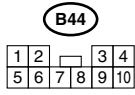
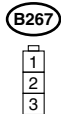
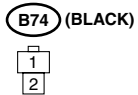
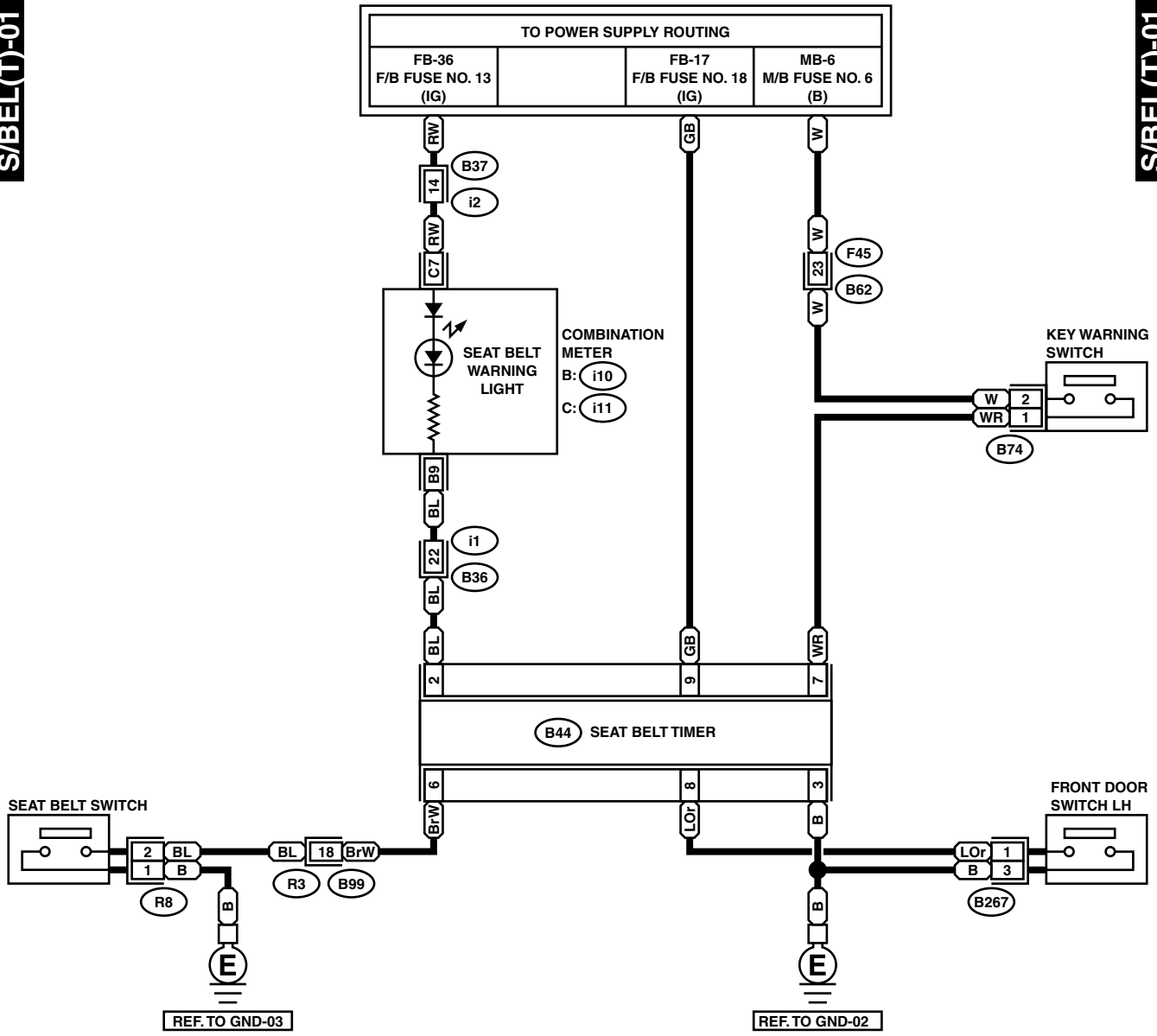
Seat Belt Warning System

WIRING SYSTEM

2. WITH SEAT BELT TIMER EXCEPT FOR EUROPE MODEL

S/BEL(T)-01

S/BEL(T)-01



WI-02428

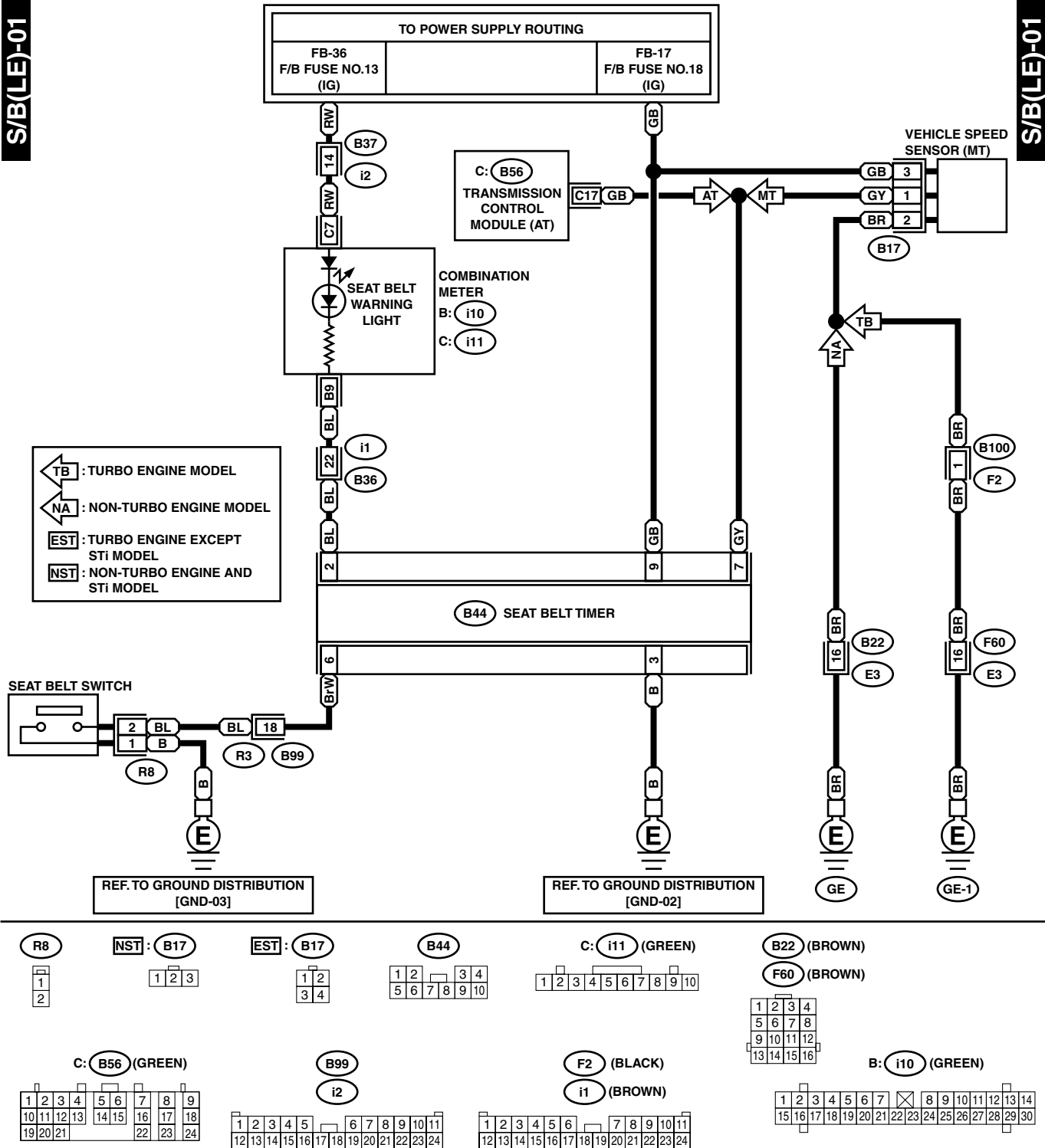
Seat Belt Warning System

WIRING SYSTEM

3. LHD FOR EUROPE MODEL

S/B(LE)-01

S/B(LE)-01



WI-02429

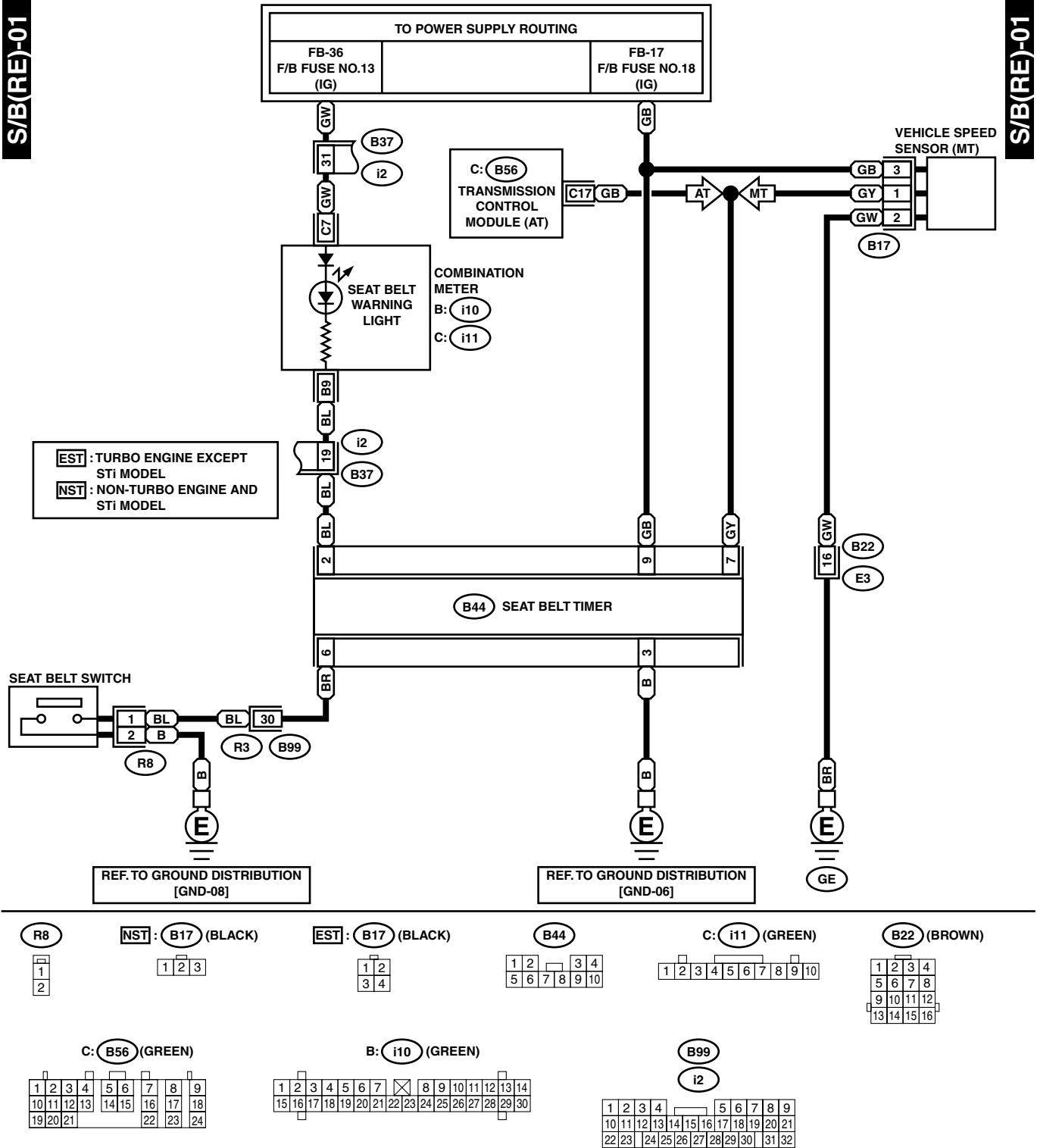
Seat Belt Warning System

WIRING SYSTEM

4. RHD FOR EUROPE MODEL

S/B(RE)-01

S/B(RE)-01



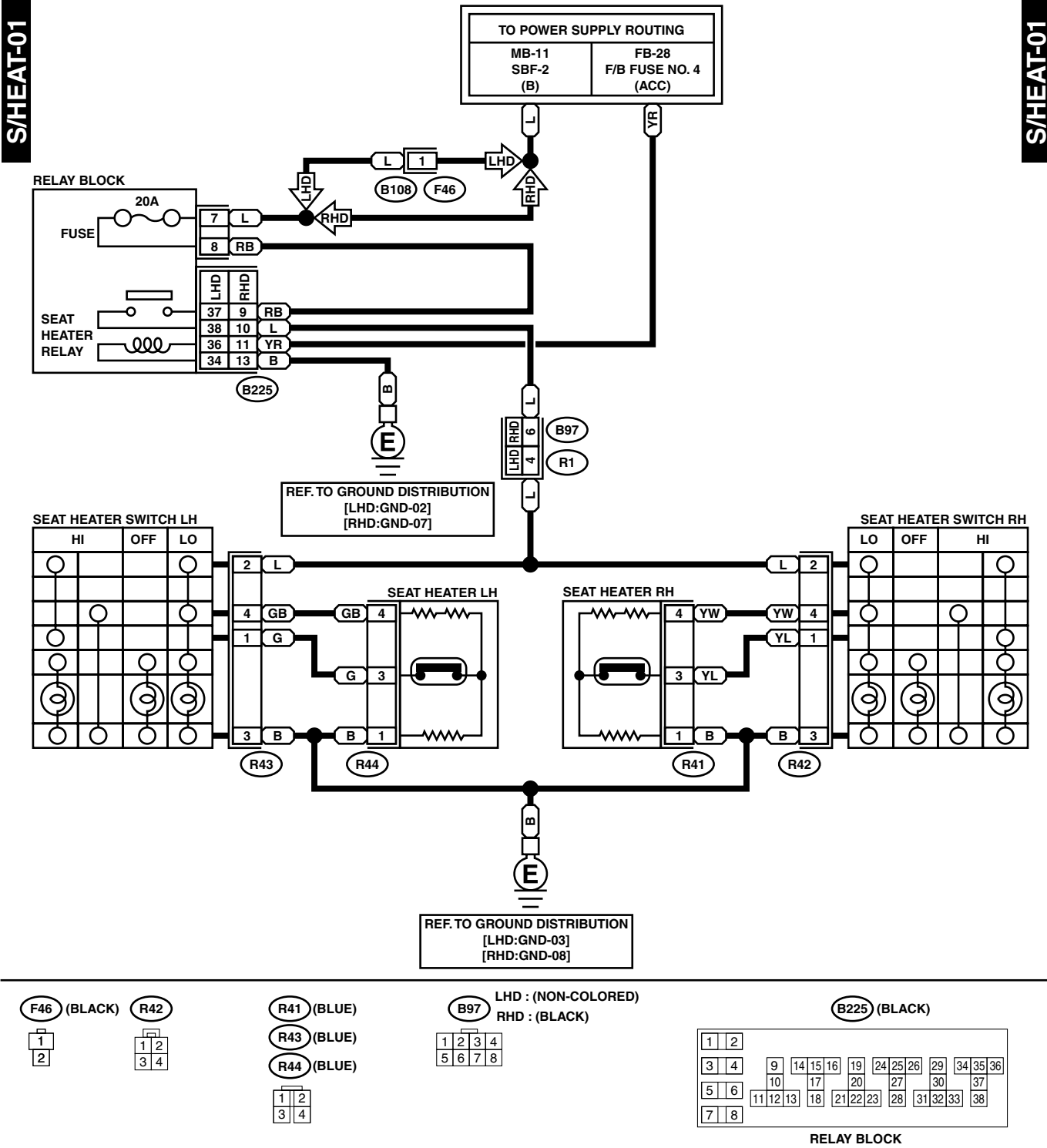
WI-02430

Seat Heater System

WIRING SYSTEM

38. Seat Heater System

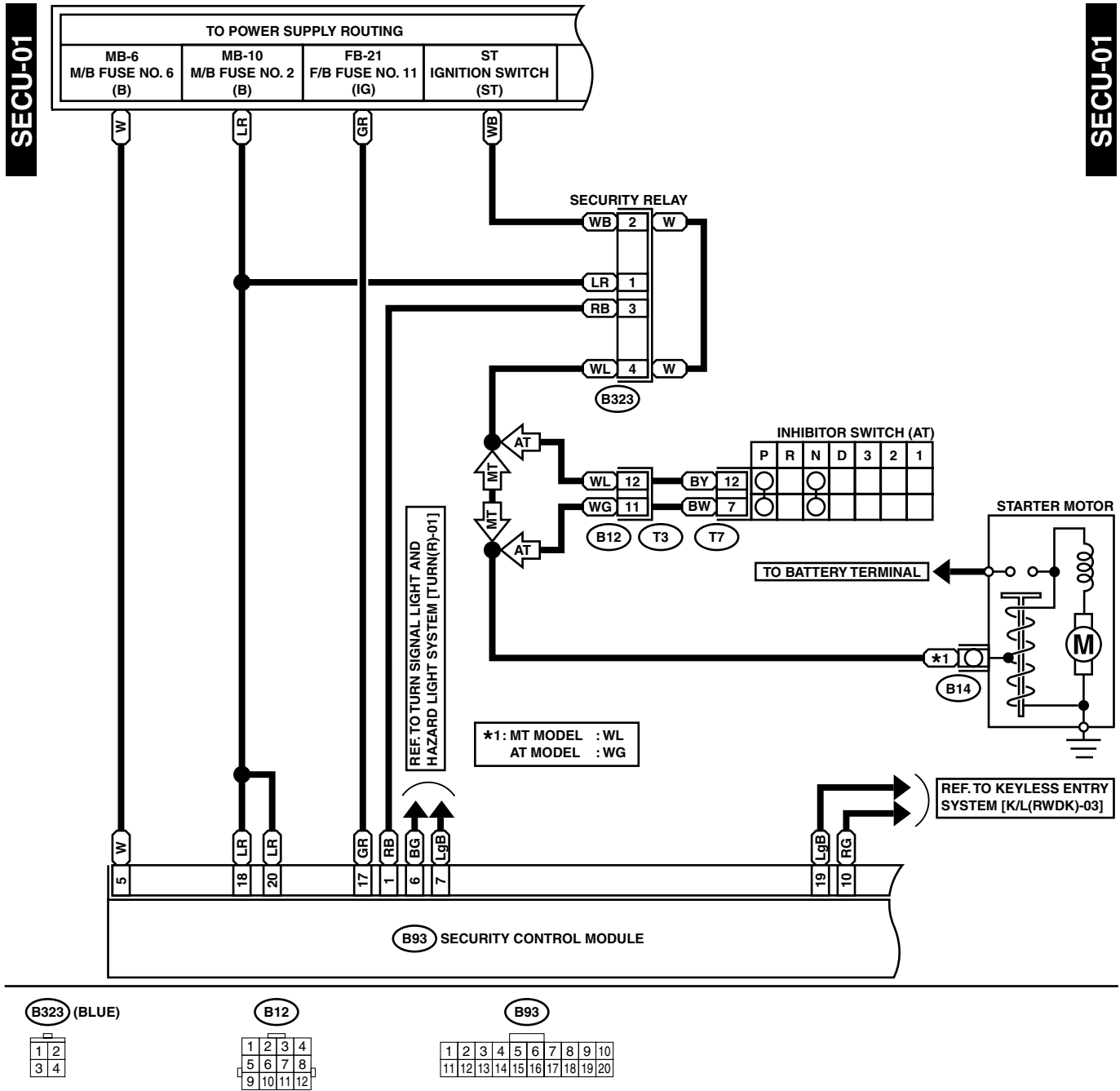
A: WIRING DIAGRAM



WI-02439

39. Security System

A: WIRING DIAGRAM

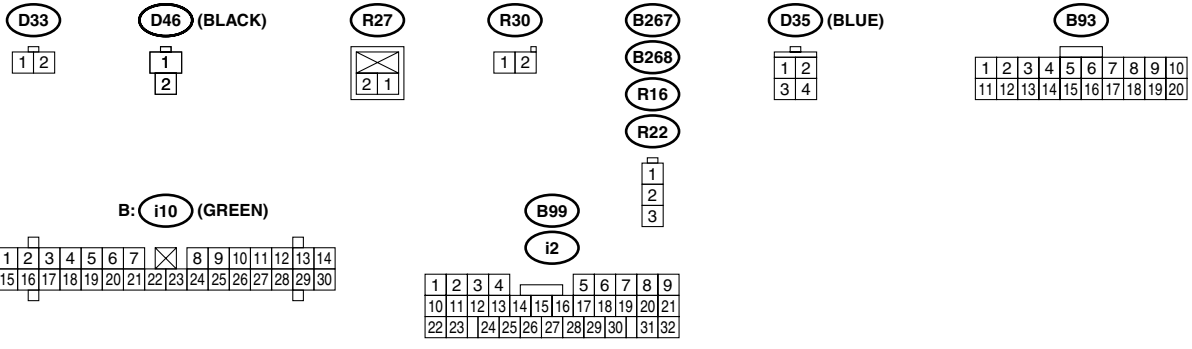
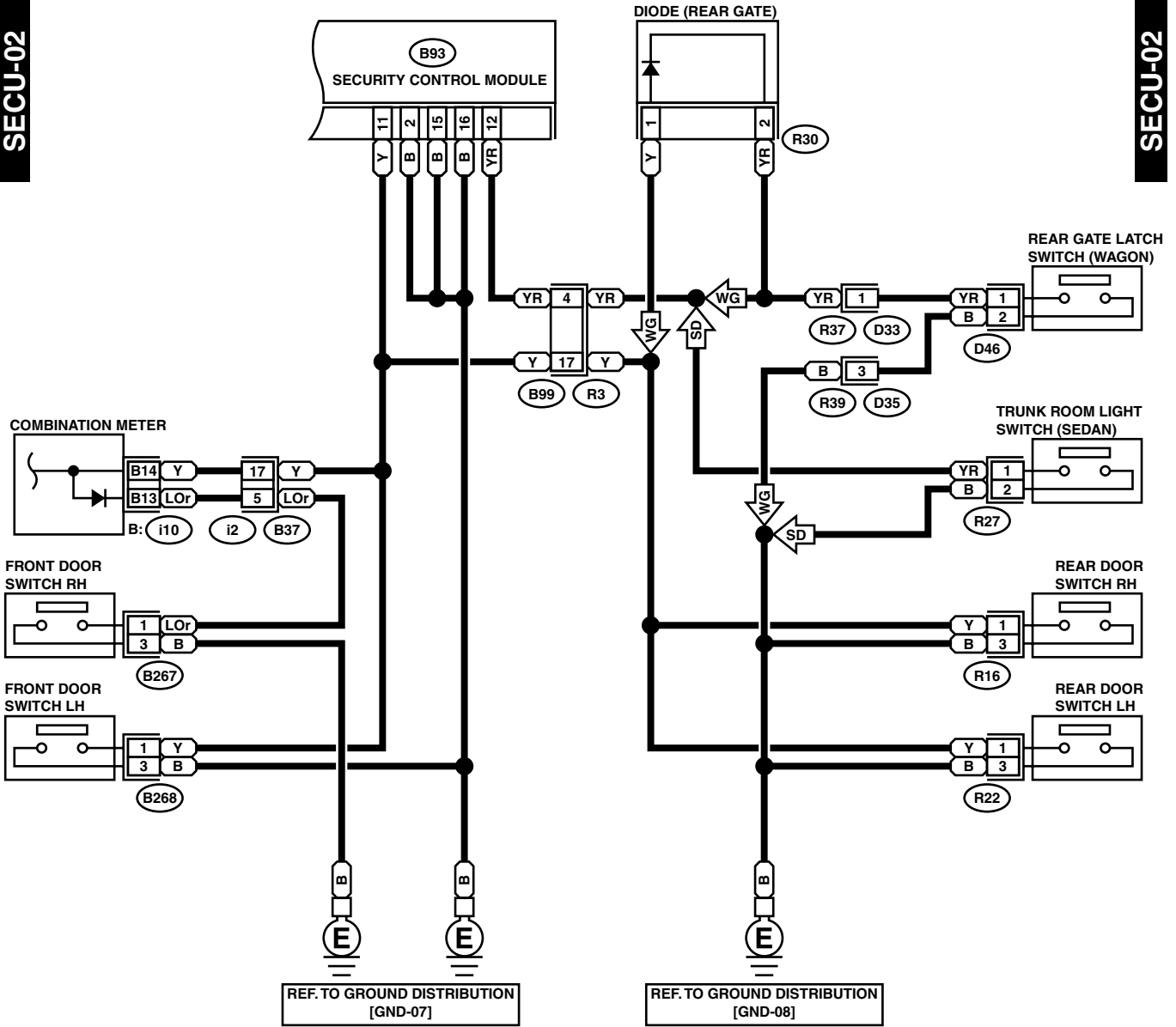


Security System

WIRING SYSTEM

SECU-02

SECU-02



WI-02442

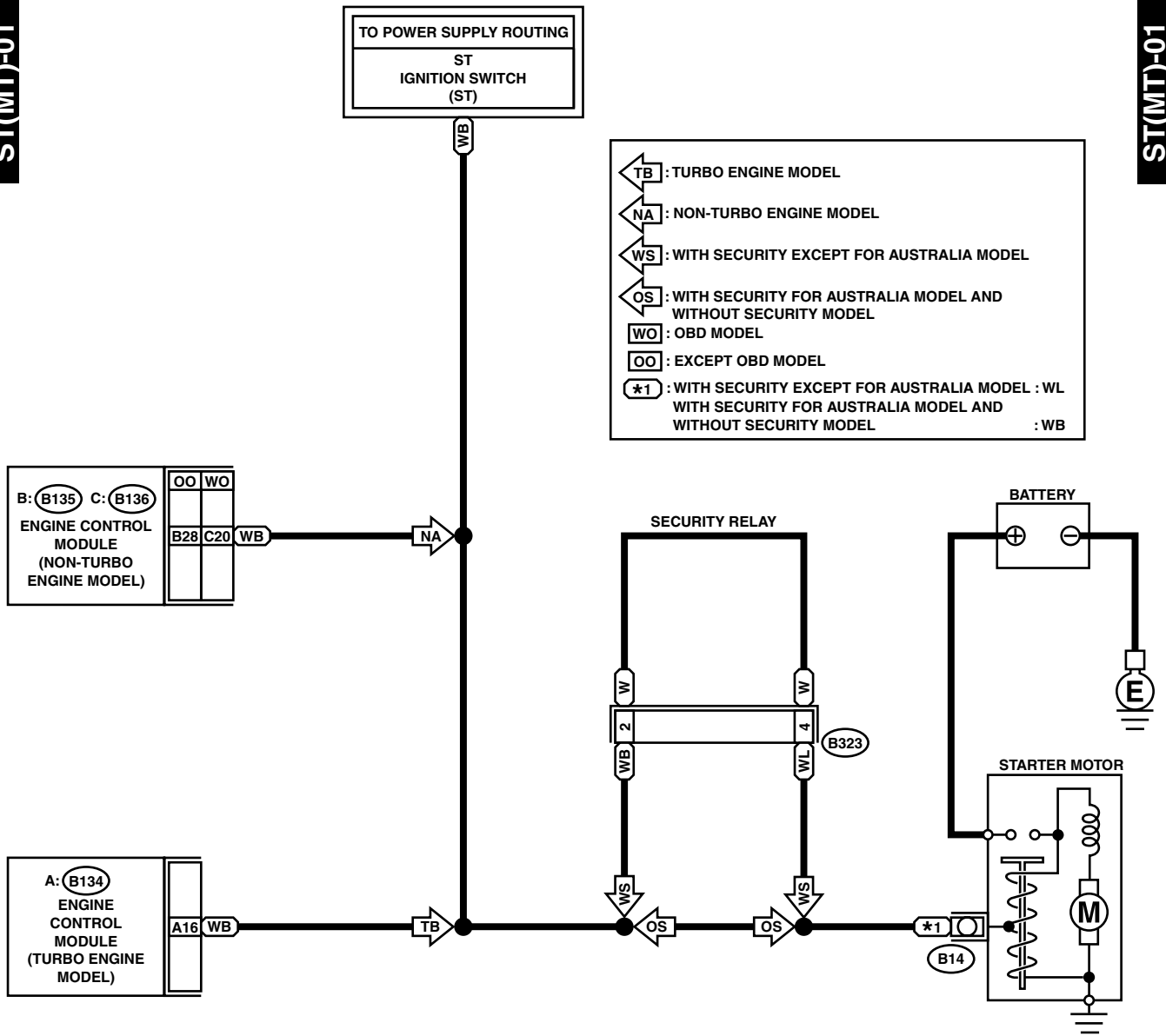
40. Starter System

A: WIRING DIAGRAM

1. MT MODEL

ST(MT)-01

ST(MT)-01



(B323) (BLUE)

1	2
3	4

A: (B134)

1	2	3	4	5	6	7	
8	9	10	11	12	13	14	15
16	17	18	19	20	21	22	

C: (B136)

1	2	3			4	5	6			
7	8	9	10	11	12	13	14	15	16	17
18	19	20	21	22	23	24	25	26		

B: (B135)

1	2	3			4	5	6	7			
8	9	10	11	12	13	14	15	16	17	18	19
20	21	22	23	24	25	26	27	28			

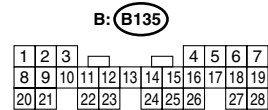
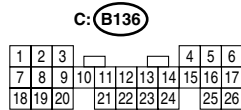
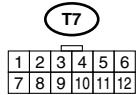
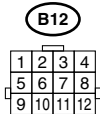
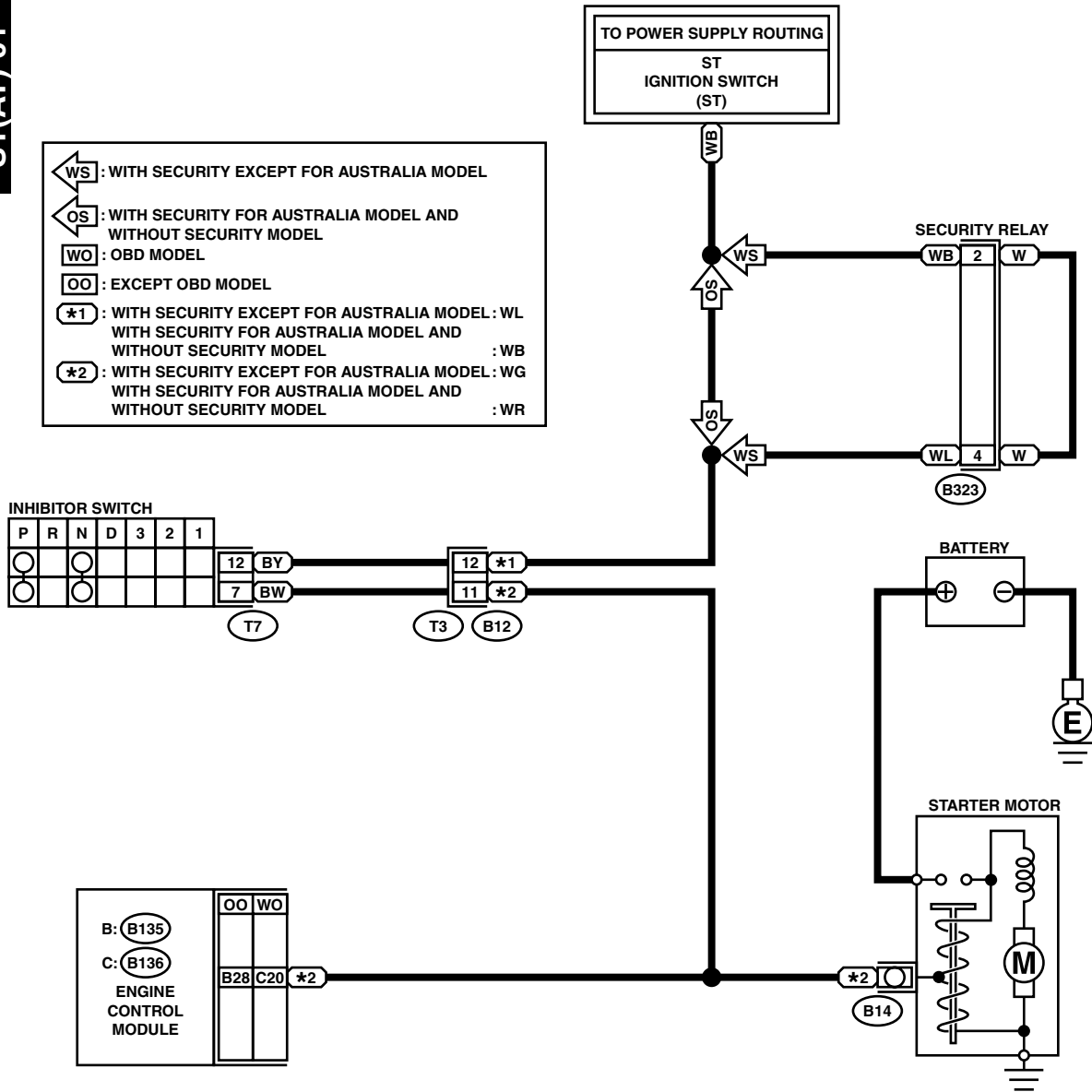
Starter System

WIRING SYSTEM

2. AT MODEL

ST(AT)-01

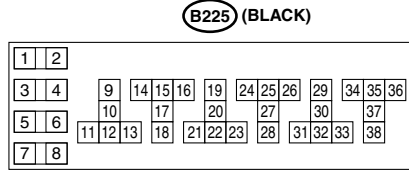
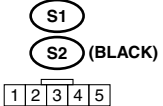
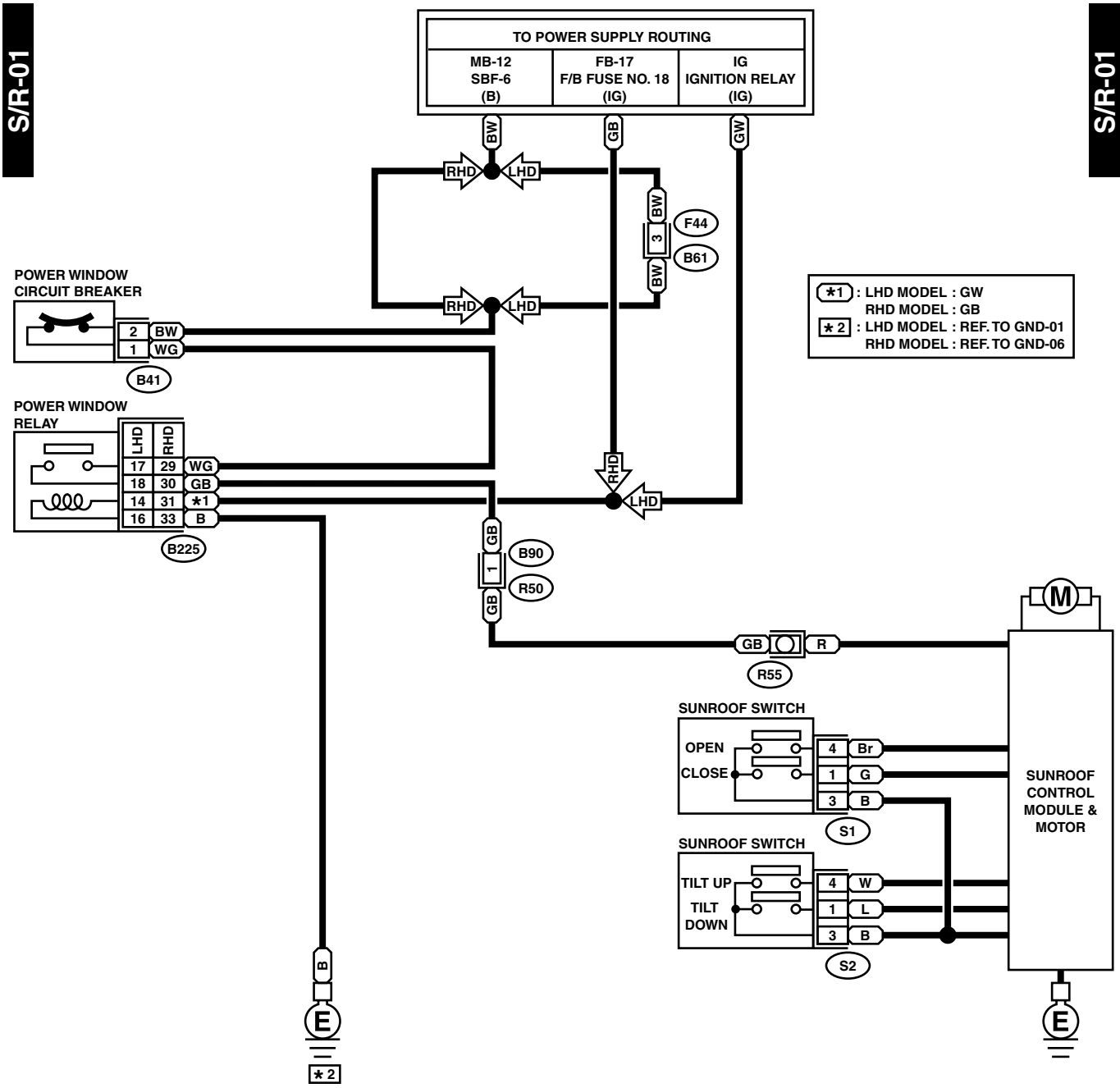
ST(AT)-01



WI-02432

41.Sunroof System

A: WIRING DIAGRAM



RELAY BLOCK

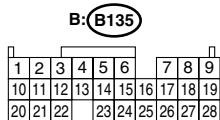
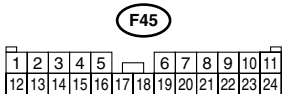
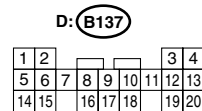
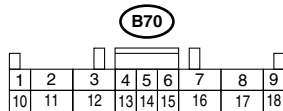
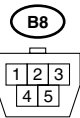
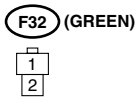
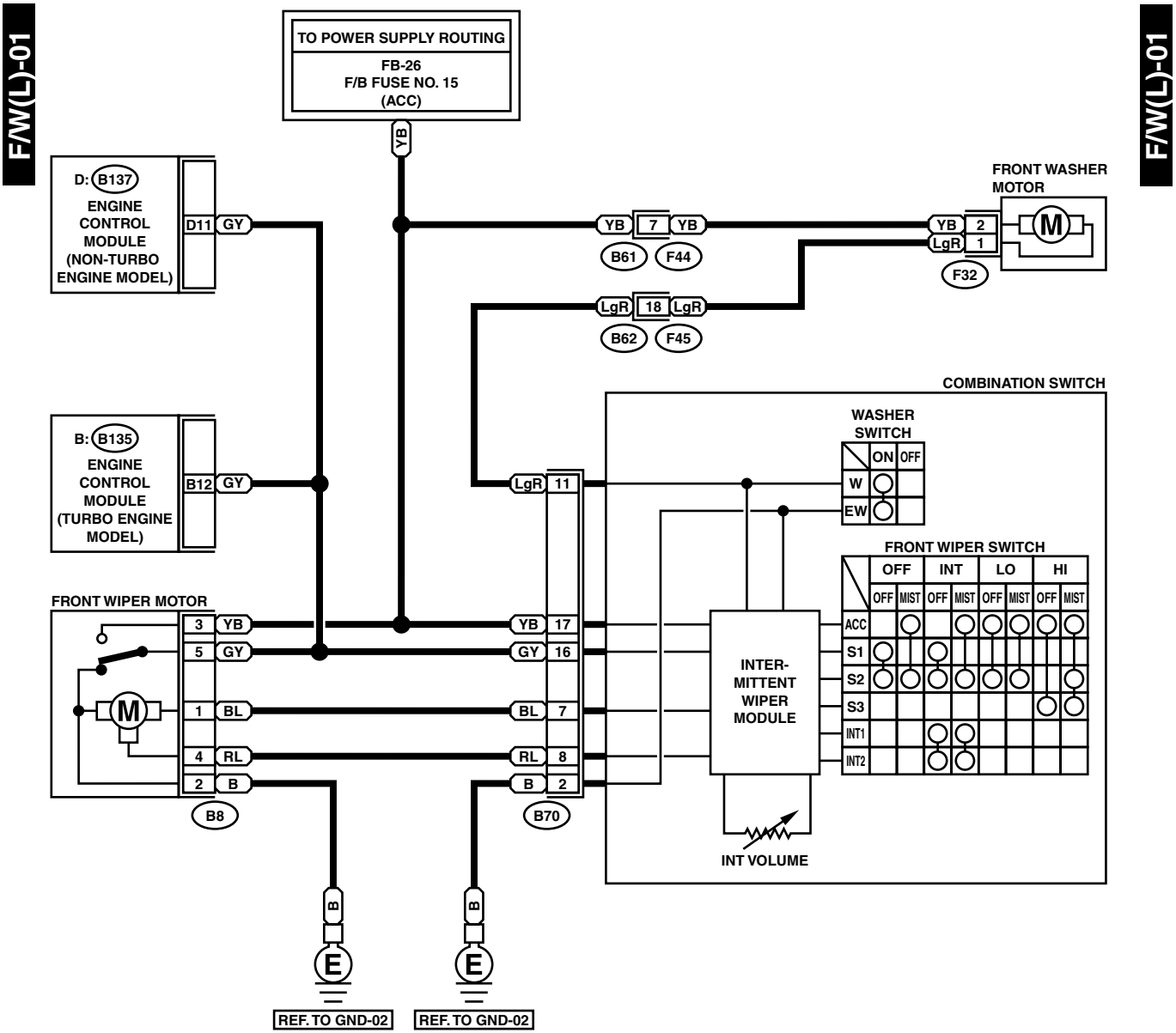
Wiper and Washer System (Front)

WIRING SYSTEM

42. Wiper and Washer System (Front)

A: WIRING DIAGRAM

1. LHD MODEL

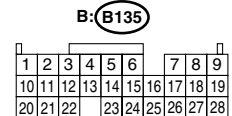
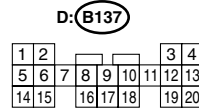
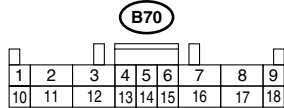
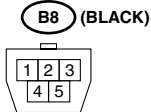
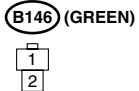
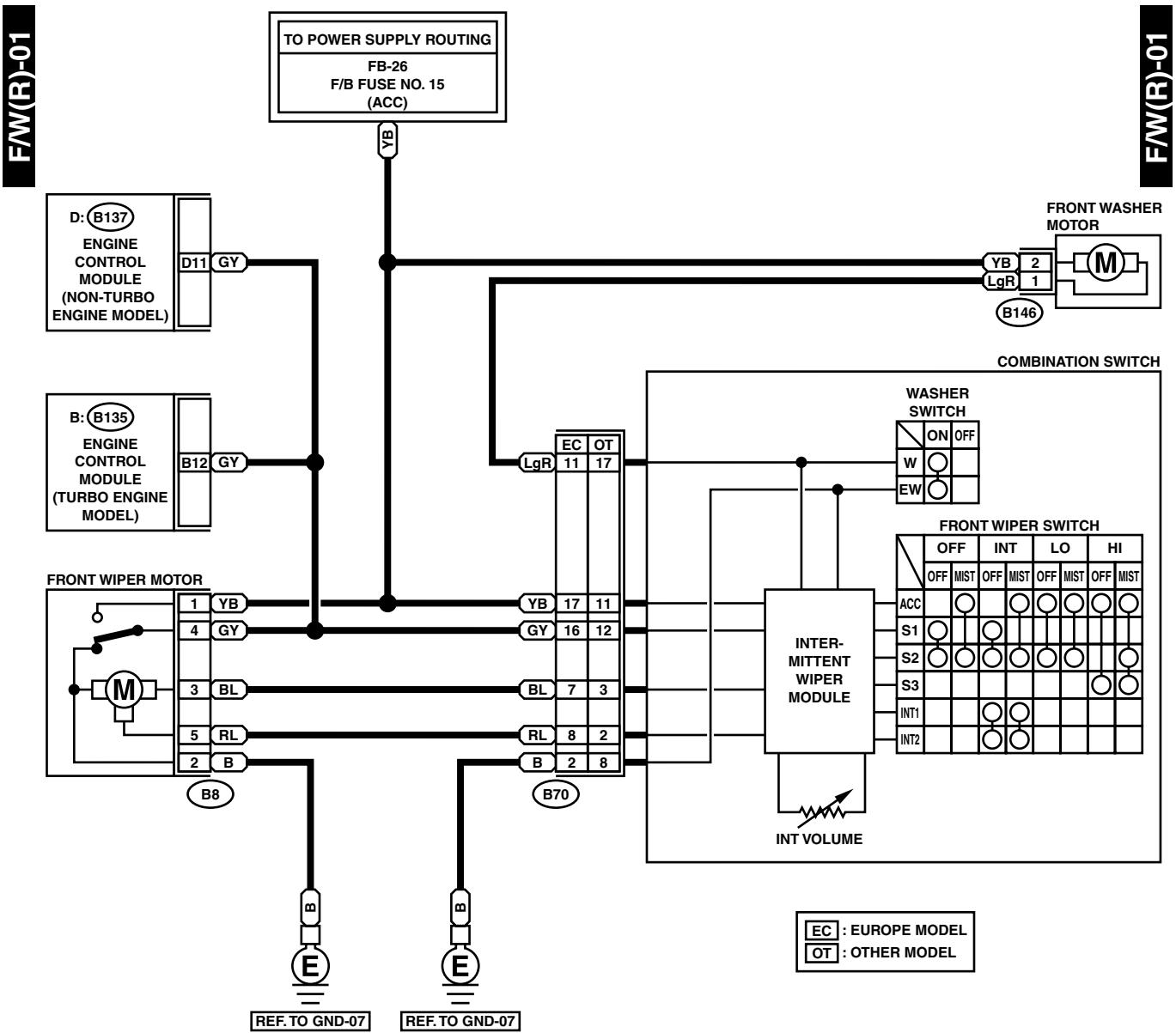


WI-02433

Wiper and Washer System (Front)

WIRING SYSTEM

2. RHD MODEL



WI-02434

Wiper and Washer System (Rear)

WIRING SYSTEM

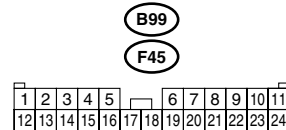
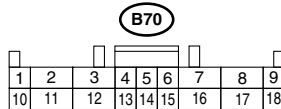
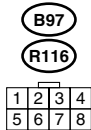
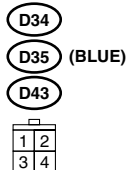
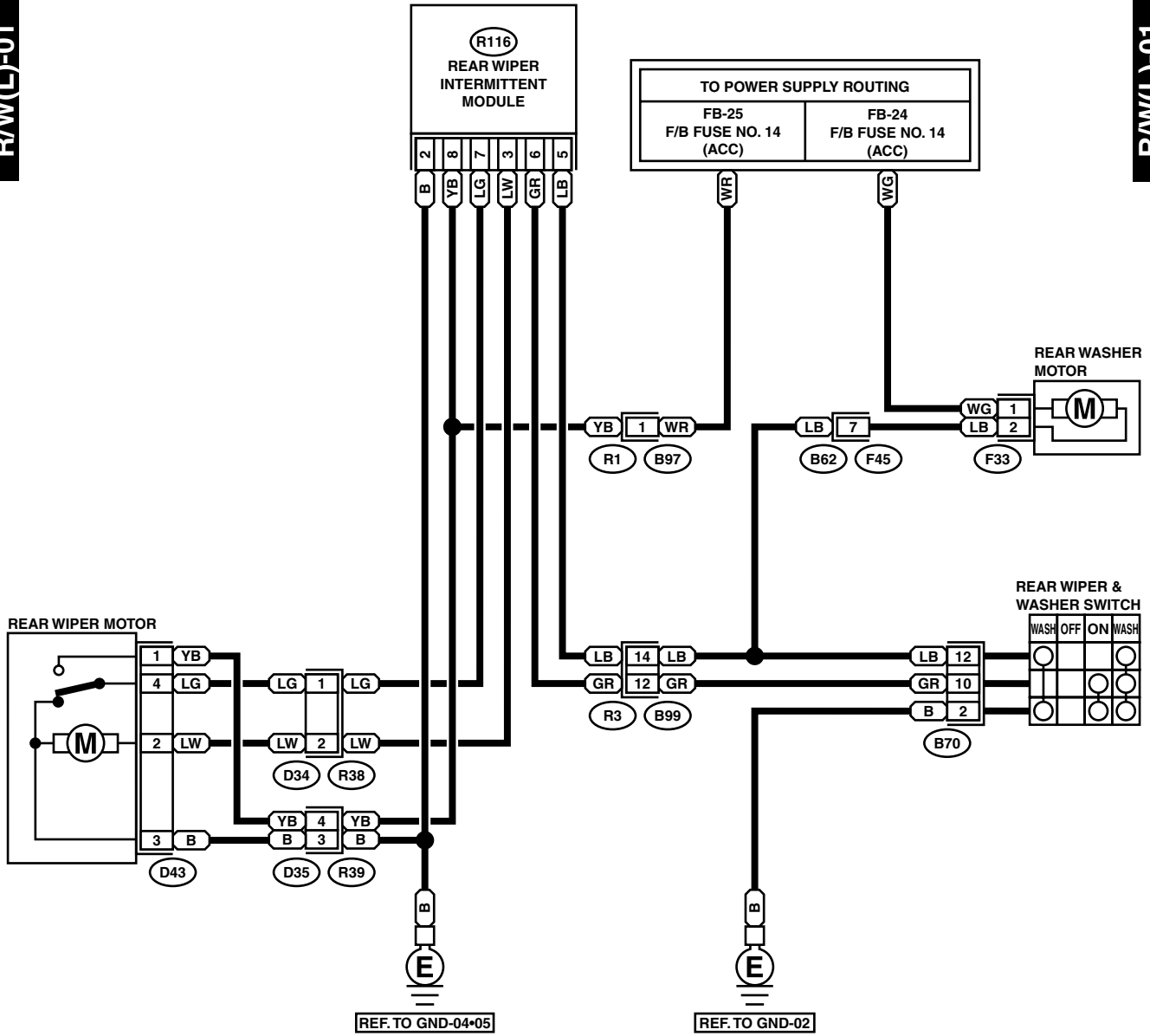
43. Wiper and Washer System (Rear)

A: WIRING DIAGRAM

1. LHD MODEL

R/W(L)-01

R/W(L)-01



WI-04583

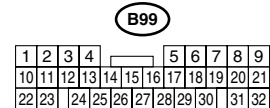
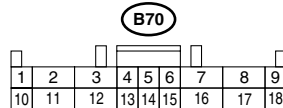
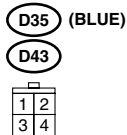
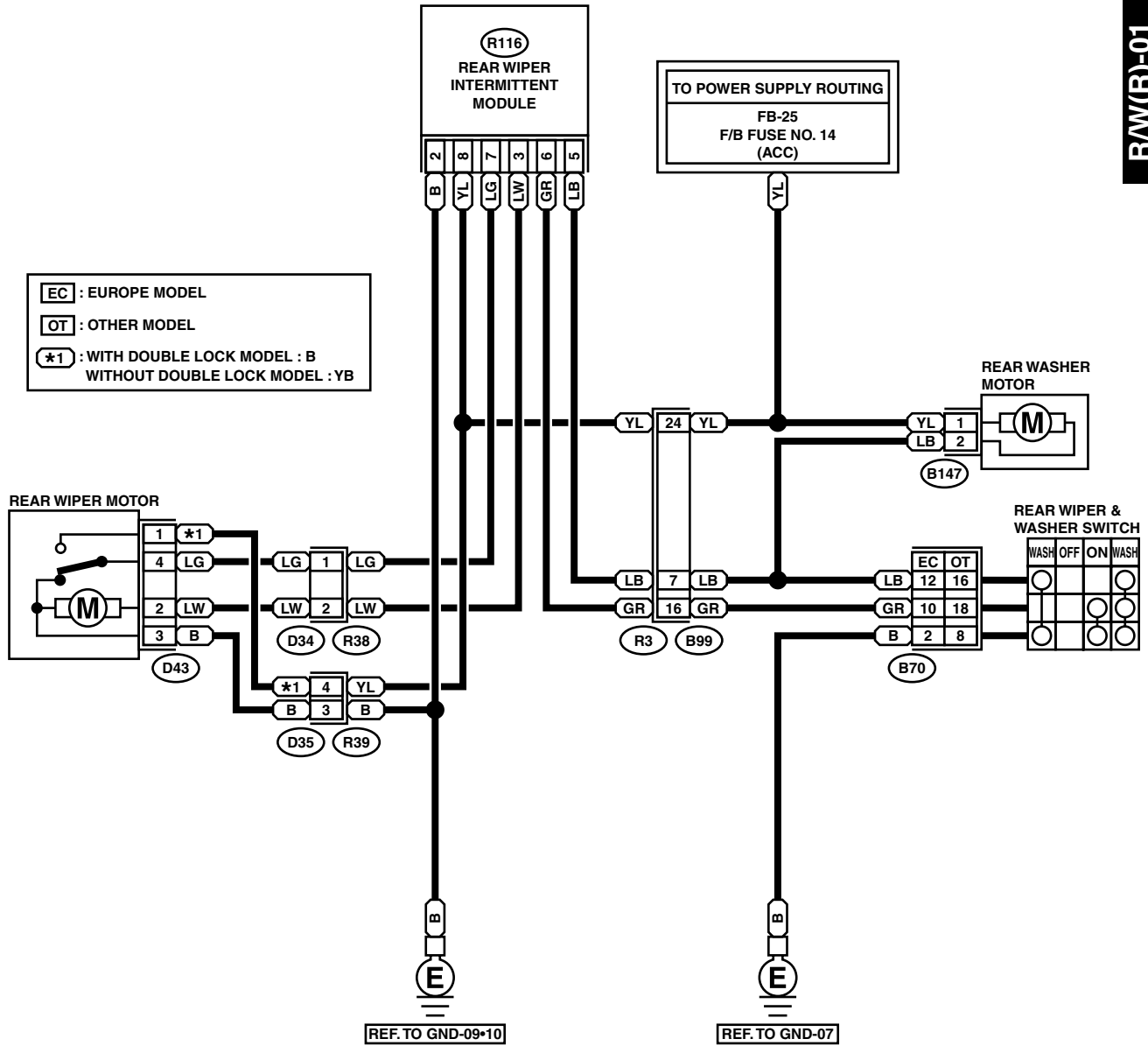
Wiper and Washer System (Rear)

WIRING SYSTEM

2. RHD MODEL

R/W(R)-01

R/W(R)-01



WI-04584

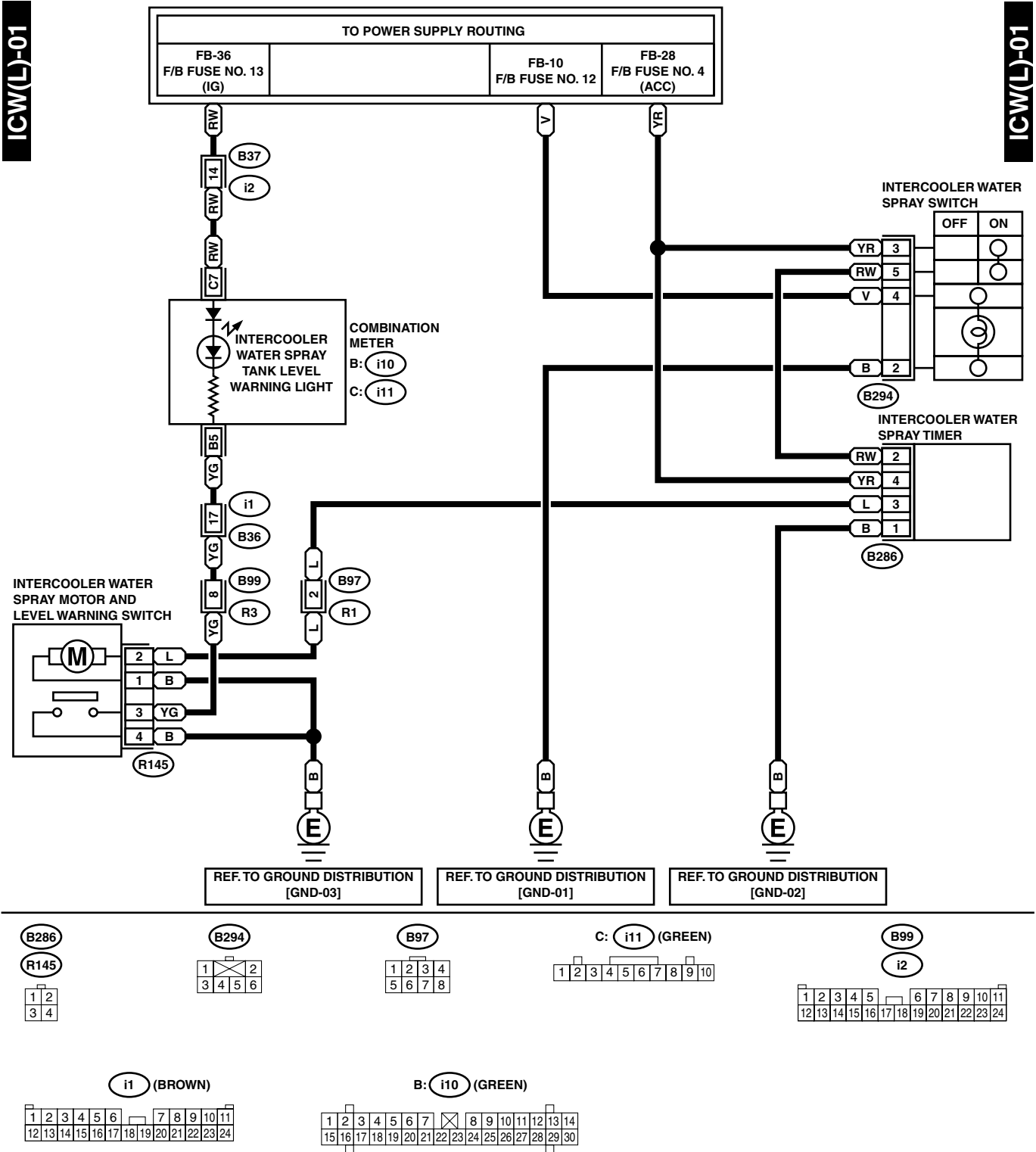
Intercooler Water Spray System

WIRING SYSTEM

44. Intercooler Water Spray System

A: WIRING DIAGRAM

1. LHD MODEL

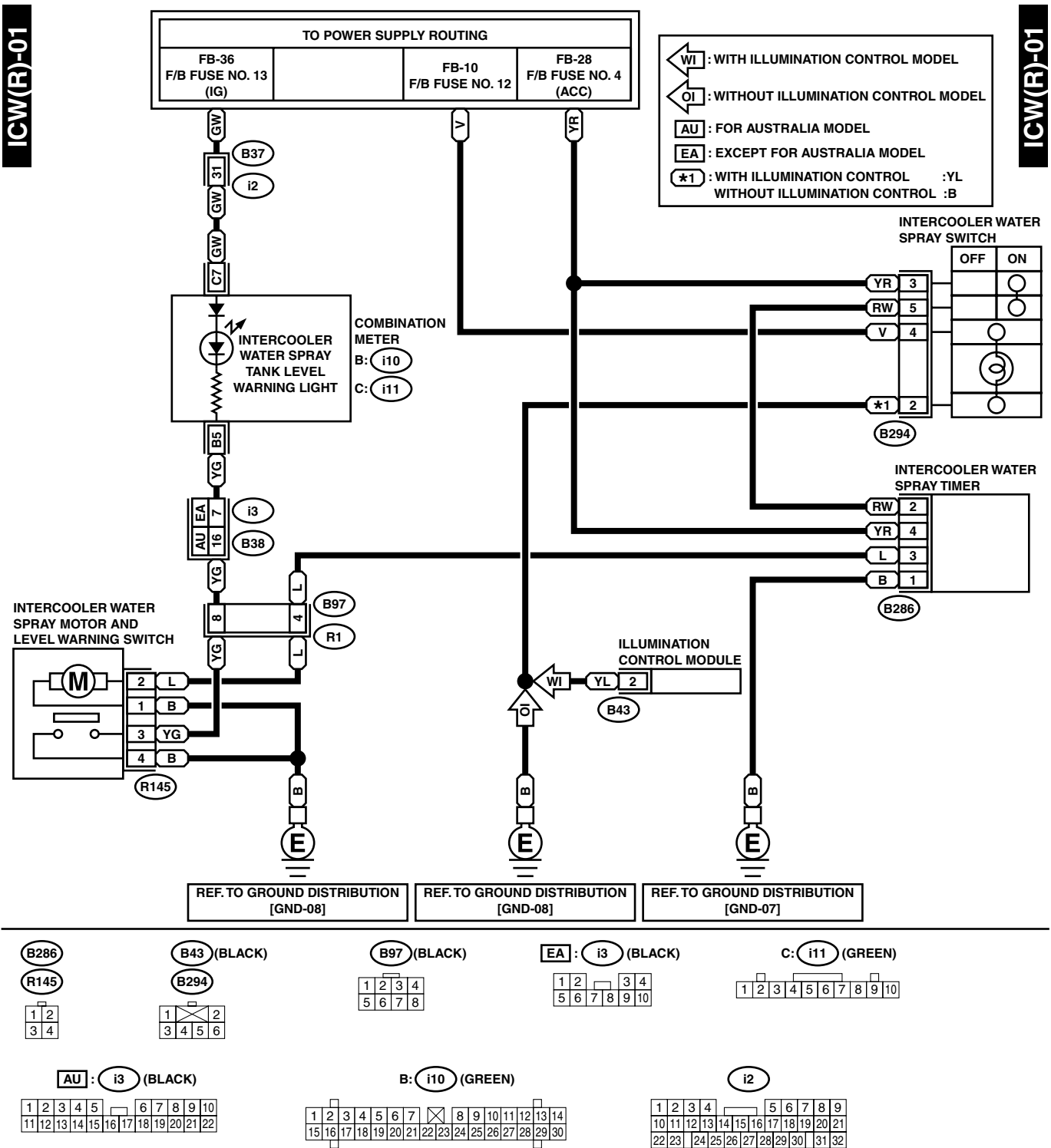


WI-02437

Intercooler Water Spray System

WIRING SYSTEM

2. RHD MODEL



WI-02438

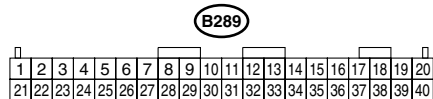
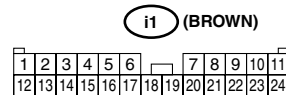
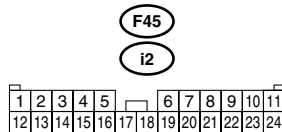
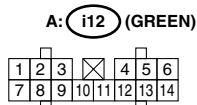
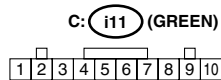
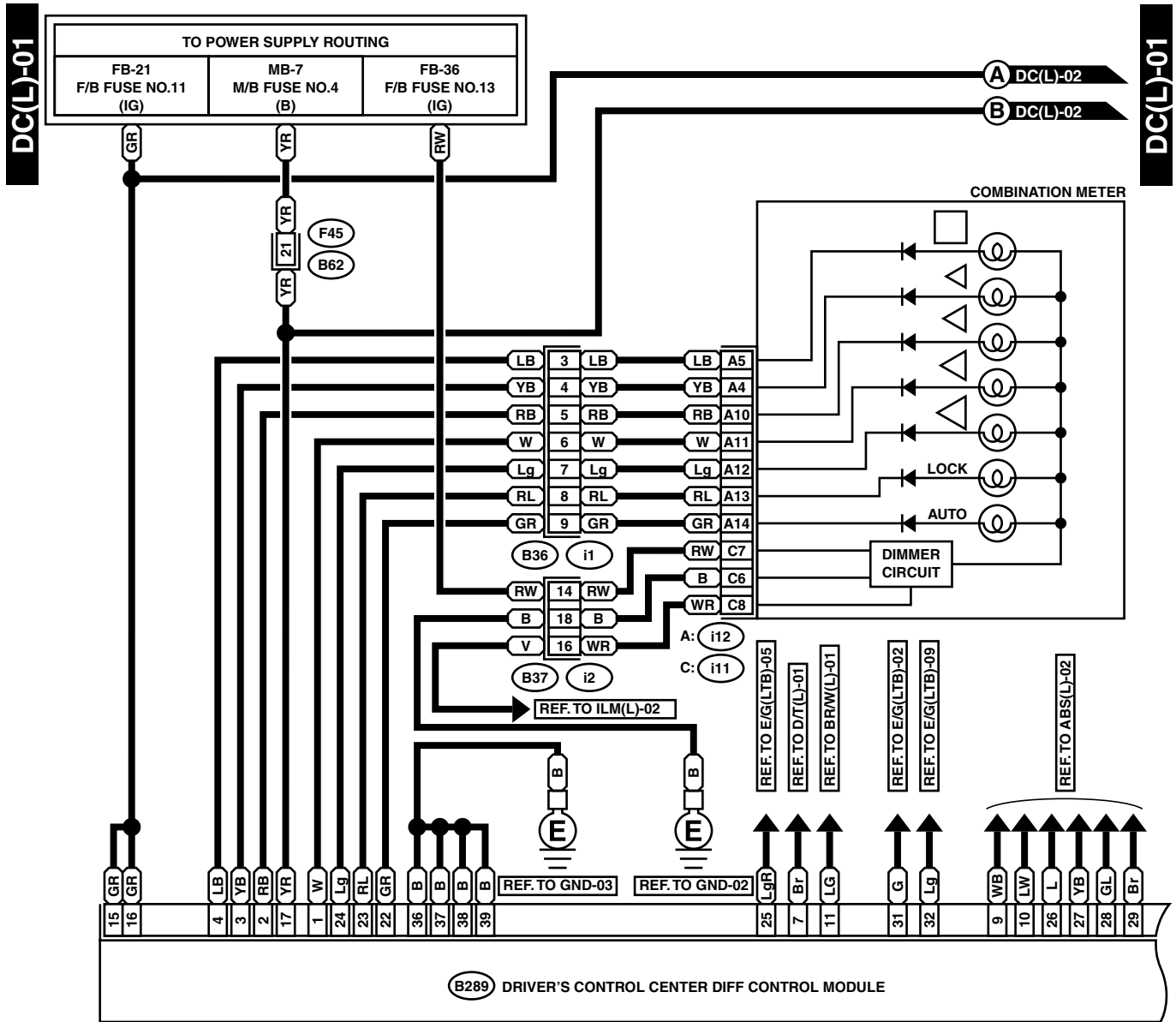
Driver's Control Center Differential Control System

WIRING SYSTEM

45. Driver's Control Center Differential Control System

A: WIRING DIAGRAM

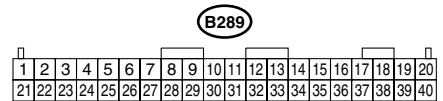
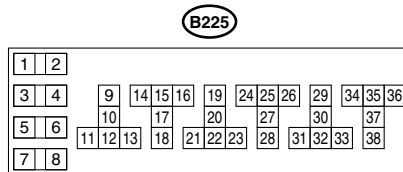
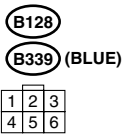
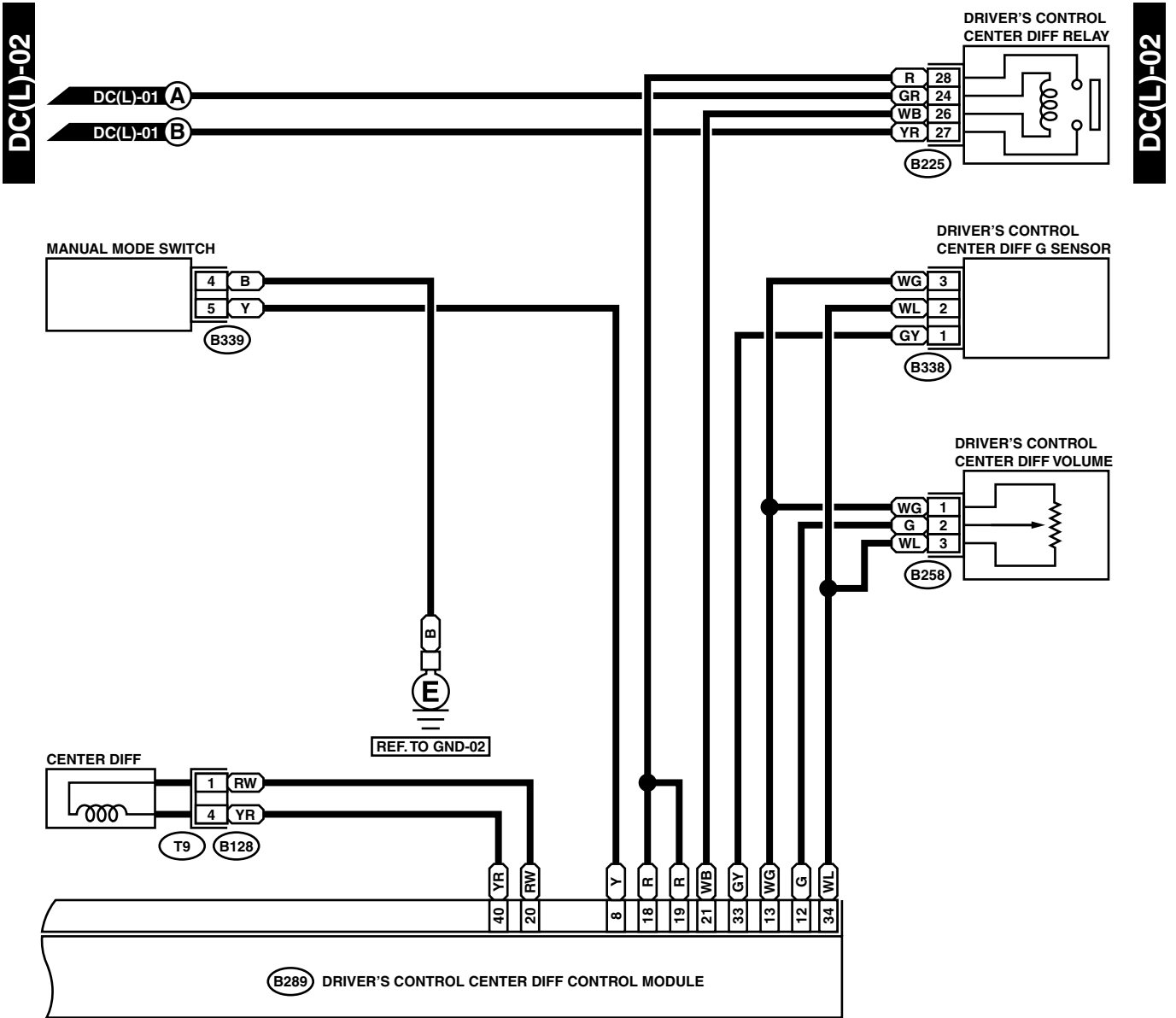
1. LHD MODEL



WI-04516

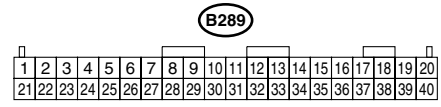
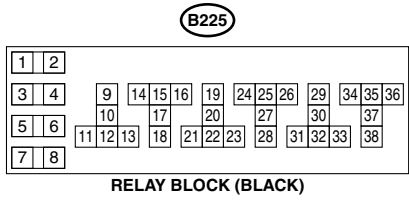
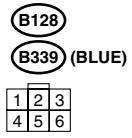
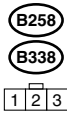
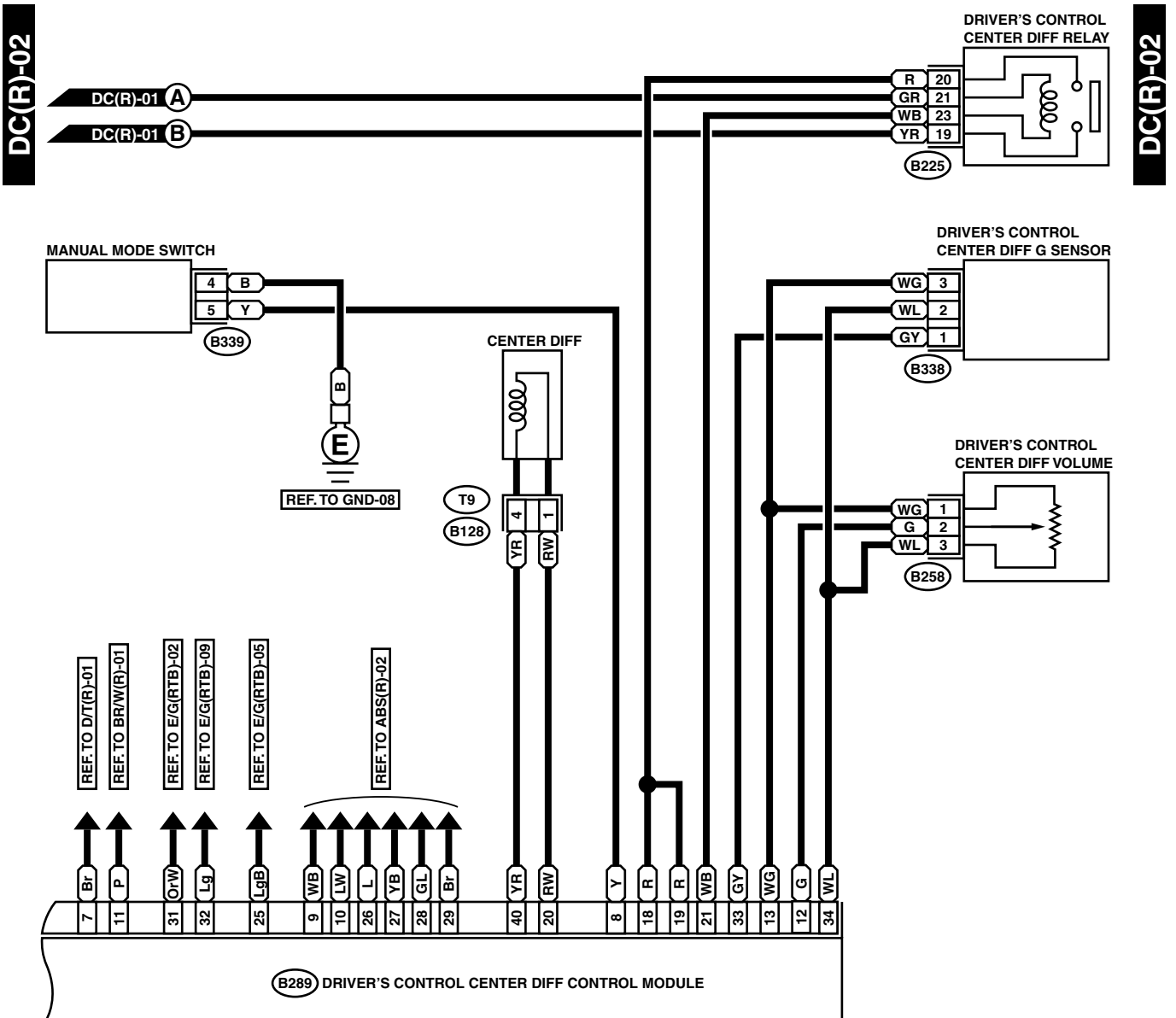
Driver's Control Center Differential Control System

WIRING SYSTEM



Driver's Control Center Differential Control System

WIRING SYSTEM



WI-04519

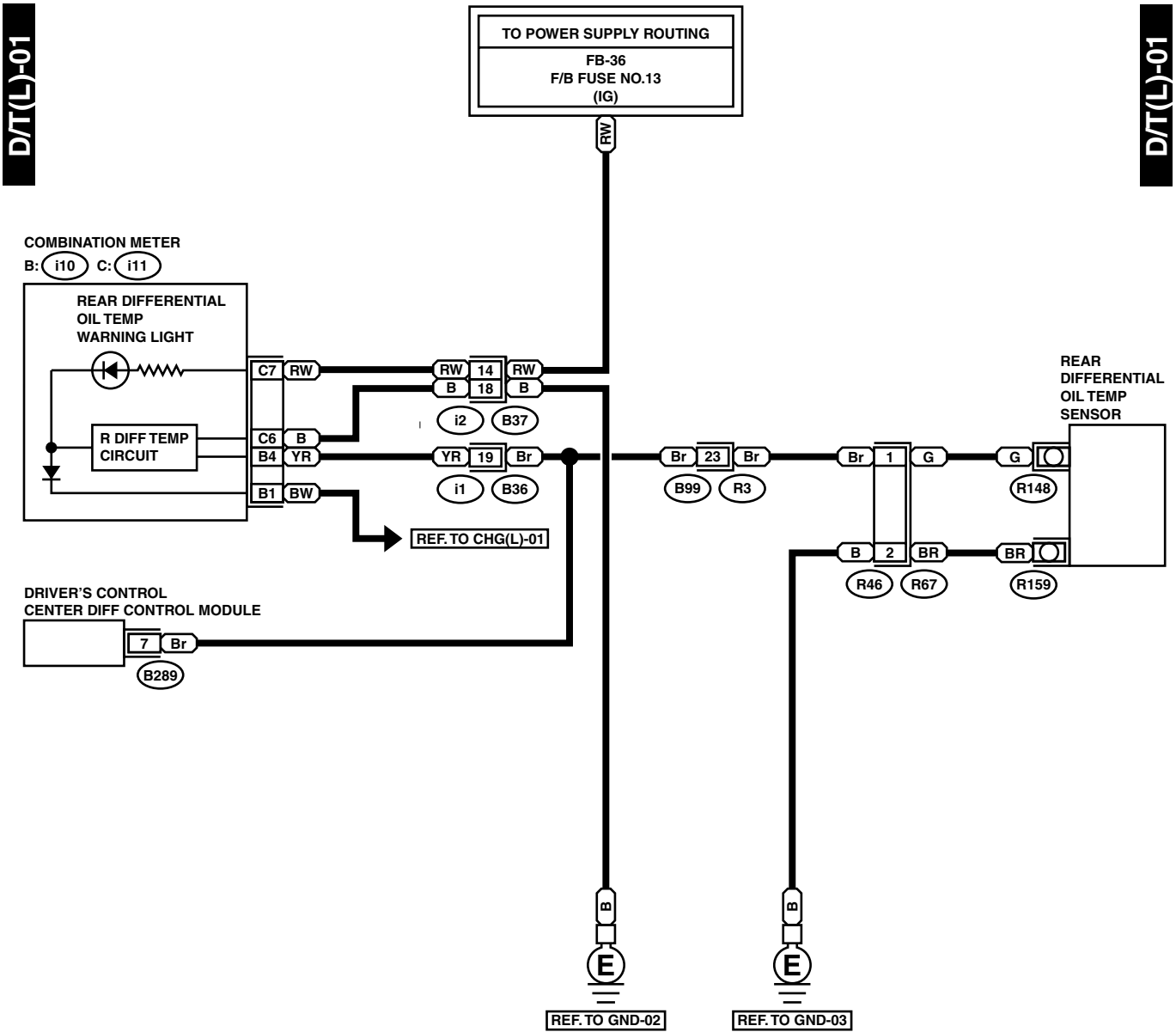
Rear Differential Oil Temperature Warning Light System

WIRING SYSTEM

46.Rear Differential Oil Temperature Warning Light System

A: WIRING DIAGRAM

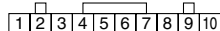
1. LHD MODEL



R46 (BLACK)



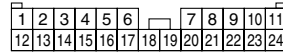
C: i11 (GREEN)



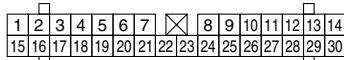
B99



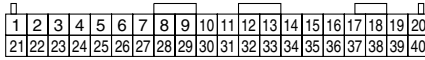
i1 (BROWN)



B: i10 (GREEN)



B289

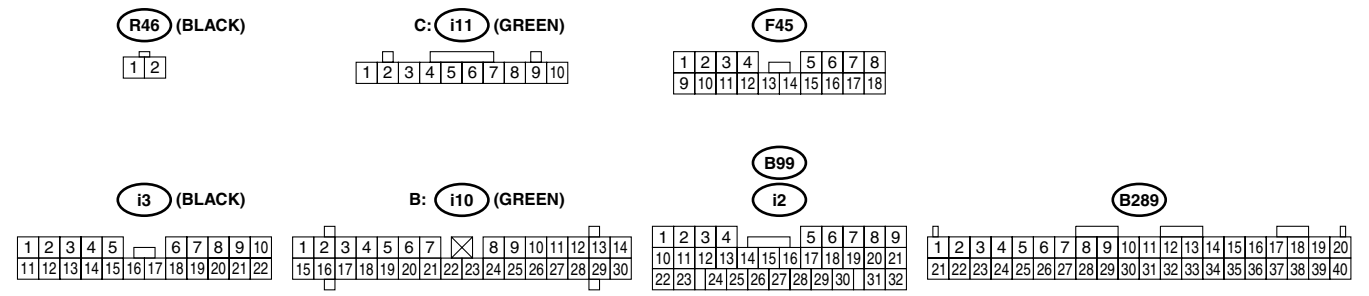
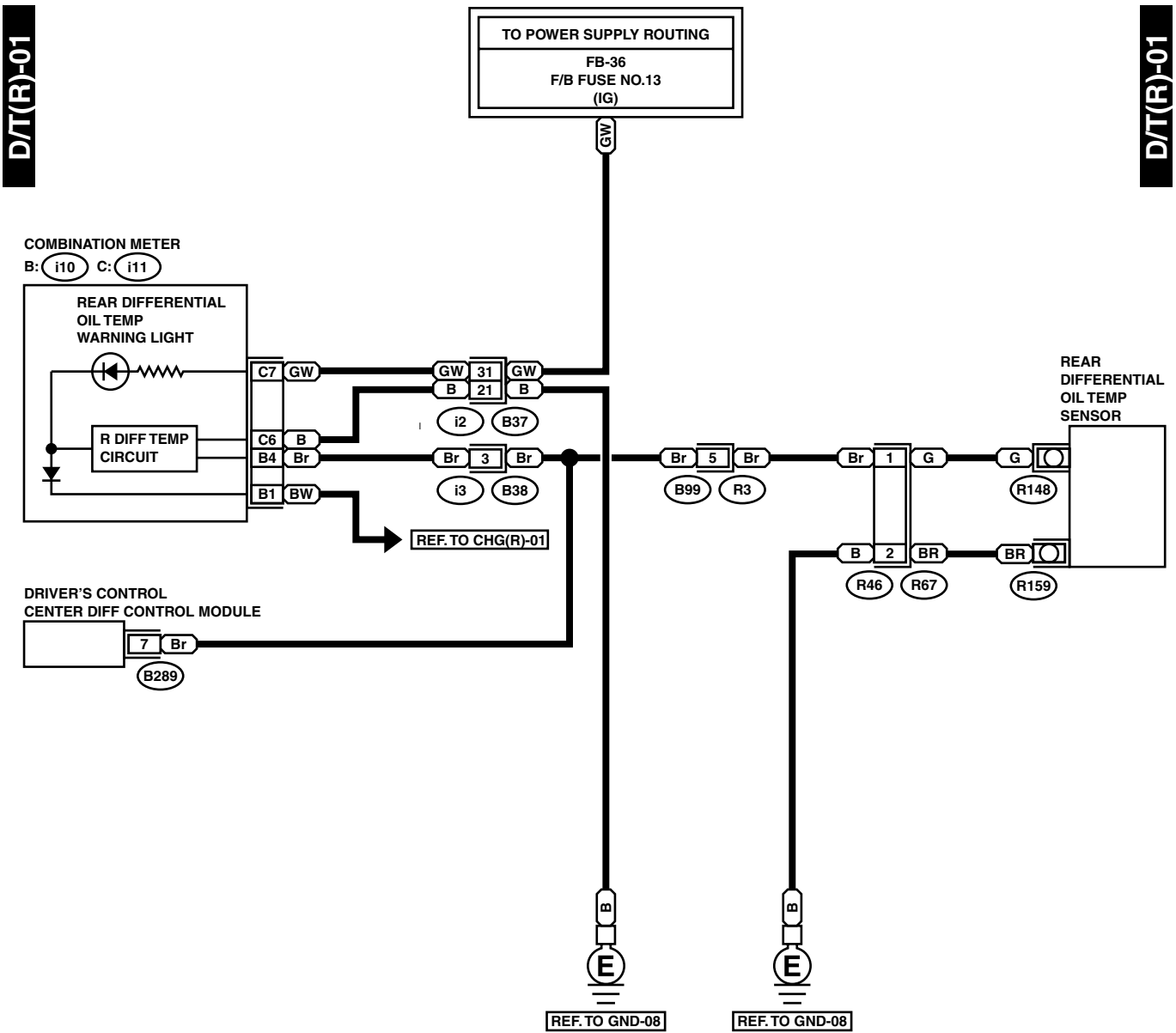


WI-04514

Rear Differential Oil Temperature Warning Light System

WIRING SYSTEM

2. RHD MODEL



WI-04515

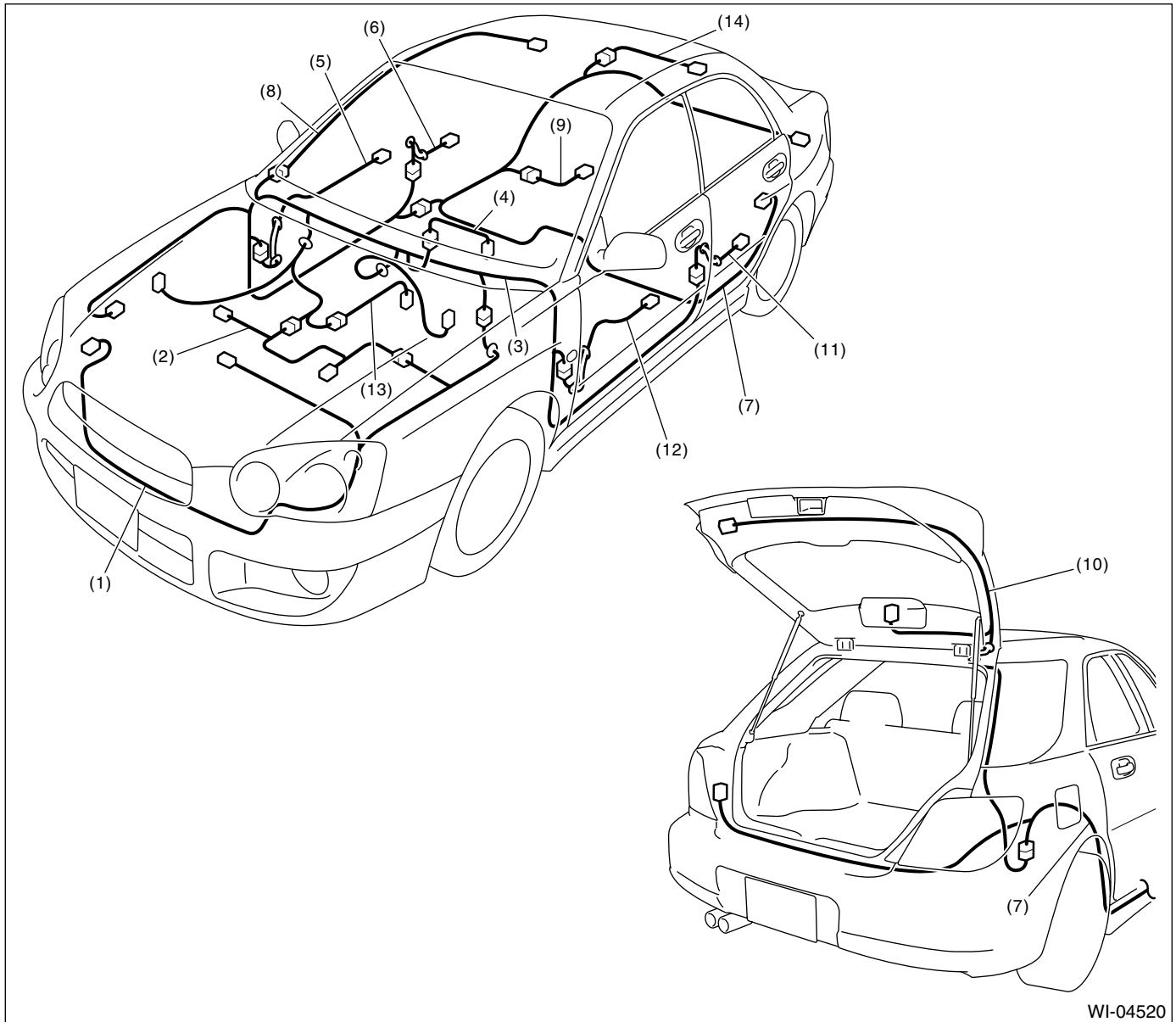
Harness Components Location

WIRING SYSTEM

47. Harness Components Location

A: LOCATION

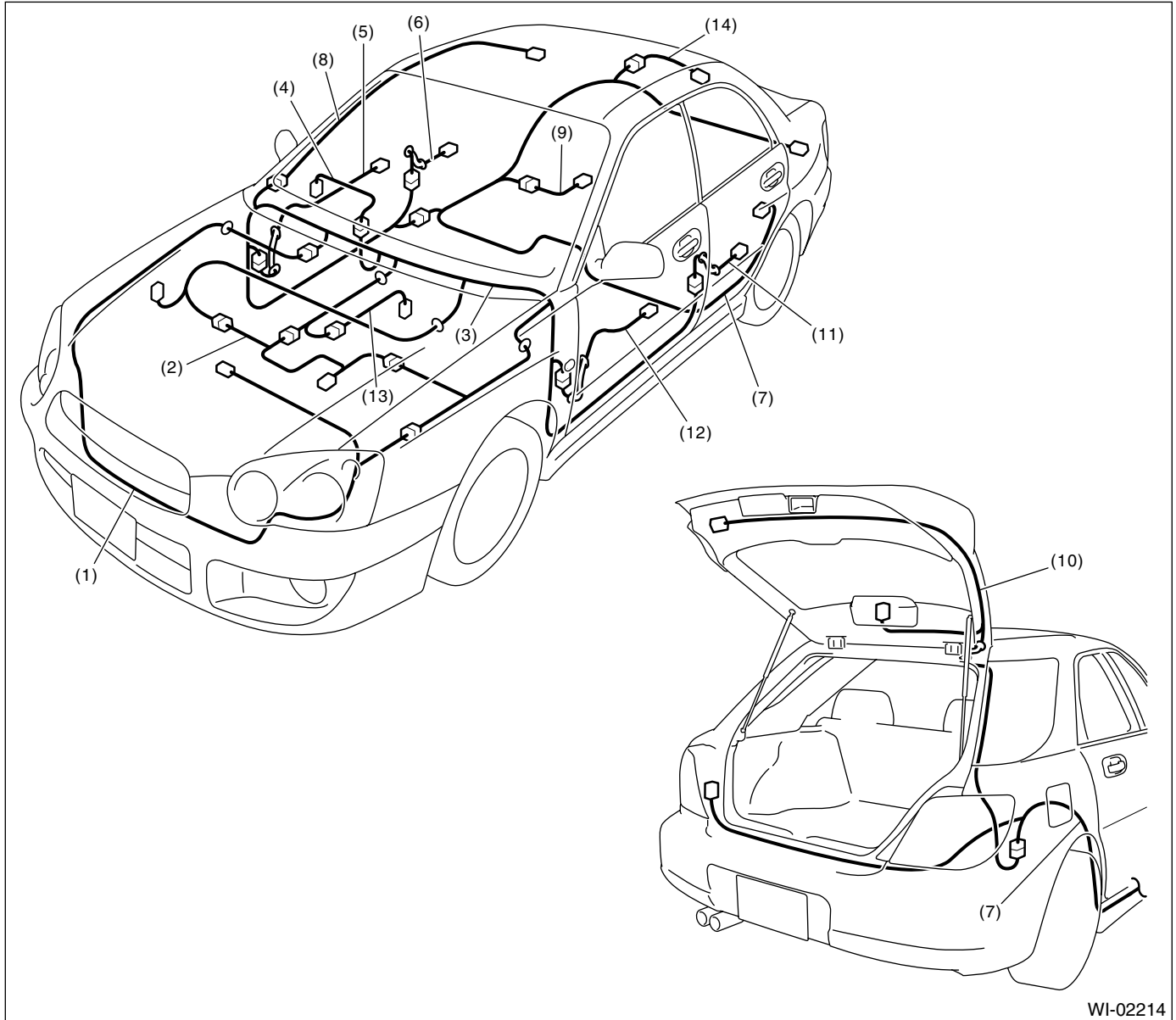
1. LHD MODEL



WI-04520

- | | | |
|-------------------------------------|-------------------------|-------------------------|
| (1) Front wiring harness | (6) Rear door cord RH | (11) Rear door cord LH |
| (2) Engine wiring harness | (7) Rear wiring harness | (12) Front door cord LH |
| (3) Bulkhead wiring harness | (8) Roof cord | (13) Transmission cord |
| (4) Instrument panel wiring harness | (9) Fuel tank cord | (14) Trunk lid cord |
| (5) Front door cord RH | (10) Rear gate cord | |

2. RHD MODEL



WI-02214

- | | | |
|-------------------------------------|-------------------------|-------------------------|
| (1) Front wiring harness | (6) Rear door cord RH | (11) Rear door cord LH |
| (2) Engine wiring harness | (7) Rear wiring harness | (12) Front door cord LH |
| (3) Bulkhead wiring harness | (8) Roof cord | (13) Transmission cord |
| (4) Instrument panel wiring harness | (9) Fuel tank cord | (14) Trunk lid cord |
| (5) Front door cord RH | (10) Rear gate cord | |

Front Wiring Harness

WIRING SYSTEM

48. Front Wiring Harness

A: LOCATION

1. LHD MODEL

• Front Wiring Harness

Connector				Connecting to	
No.	Pole	Color	Area	No.	Name
F2	24	Black	B-5	B100	Bulkhead wiring harness
F4	3	Black	B-1		Front clearance light RH and front turn signal light RH
F5	1	Black	C-3		Horn
F7	2	Gray	C-1		Headlight RH (Low beam)
F16	2	Black	C-1		Sub fan motor (Non-turbo model)
	4	Gray	C-1		Sub fan motor (Turbo model)
F17	2	Gray	C-3		Radiator main fan motor (Non-turbo model)
	4	Gray	C-3		Radiator main fan motor (Turbo model)
F21	2	Black	D-4		Front fog light LH
F22	3	Black	C-4		Front clearance light LH and front turn signal light LH
F23	2	Gray	C-3		Headlight LH (Low beam)
F24	1	Gray	C-3		A/C compressor
F25	1	★	B-2		Generator
F26	3	Green	B-2		
F27	36	Black	B-4		A/C relay holder
F32	2	Green	B-4		Front washer motor
F33	2	★	B-4		Rear washer motor
F34	4	Black	B-4		SBF holder
F35	2	Black	B-4		M/B
F36	3	★	B-4		
F37	6	Black	B-4		
F38	1	★	B-4		
F39	8	★	B-4		
F40	9	Brown	B-5		F/B
F41	7	Gray	B-5		
F44	8	★	B-4	B61	Bulkhead wiring harness
F45	24	★	B-5	B62	Bulkhead wiring harness
F46	2	Black	B-4	B108	Bulkhead wiring harness
F47	1	Black	C-2		Horn
F54	2	★	B-5		Side turn signal light LH
F58	6	Gray	C-4		Headlight leveler LH
F59	6	Gray	B-1		Headlight leveler RH
F60	16	Brown	B-4	E3	Engine wiring harness (Turbo model)
F61	20	Black	B-4	E2	Engine wiring harness (Turbo model)
F68	4	Black	B-4		M/B
F74	16	Blue	B-5	B200	Bulkhead wiring harness
F78	2	Black	C-2		Ambient sensor
F79	2	Gray	B-3		A/C pressure switch
F94	2	Gray	B-4		ABS front sensor LH
F98	2	Black	C-4		Headlight LH (High beam)
F99	2	Black	B-1		Headlight RH (High beam)

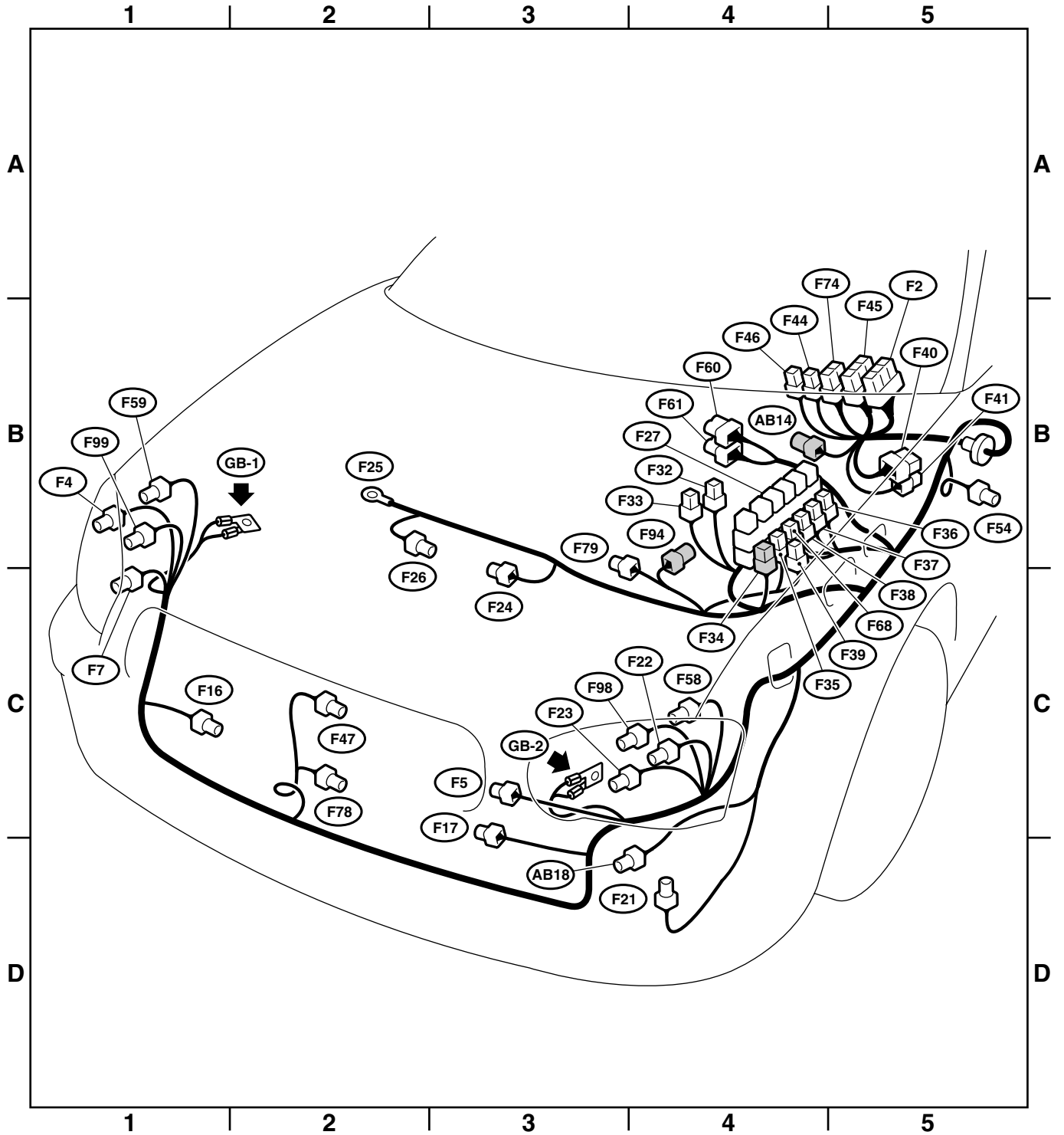
★: Non-colored

Front Wiring Harness

WIRING SYSTEM

• Front Sub Sensor Harness

Connector				Connecting to	
No.	Pole	Color	Area	No.	Name
AB14	2	Yellow	B-4	AB13	Airbag wiring harness
AB18	2	Yellow	D-3		Front sub sensor



WI-04521

Front Wiring Harness

WIRING SYSTEM

2. RHD MODEL

• Front Wiring Harness

Connector				Connecting to	
No.	Pole	Color	Area	No.	Name
F4	3	Black	B-1		Front clearance light RH and front turn signal light RH
F5	1	★	C-3		Horn
F6	2	Black	C-1		Front fog light RH
F7	2	Gray	B-1		Headlight RH (Low beam)
F16	2	Black	C-1		Sub fan motor (Non-turbo model)
	4	Gray	C-1		Sub fan motor (Turbo model)
F17	2	Gray	D-3		Radiator main fan motor (Non-turbo model)
	4	Gray	D-3		Radiator main fan motor (Turbo model)
F21	2	Black	D-4		Front fog light LH
F22	3	Black	C-4		Front clearance light LH and front turn signal light LH
F23	2	Gray	C-3		Headlight LH (Low beam)
F24	1	Gray	C-3		A/C compressor
F25	1	★	B-2		Generator
F26	3	Green	B-2		
F27	36	Black	B-4		A/C relay holder
F34	4	Black	B-4		SBF holder
F35	2	Black	B-4		M/B
F39	8	Black	B-4		
F41	7	Gray	B-3		F/B
F44	8	Black	B-3	B61	Bulkhead wiring harness
F45	18	★	B-3	B62	Bulkhead wiring harness
F47	1	★	C-2		Horn
F49	31	Black	B-2		ABS control module
F51	2	★	B-2		Side turn signal light RH
F58	6	Gray	C-4		Headlight leveler LH
F59	6	Gray	B-1		Headlight leveler RH
F62	8	Gray	B-1		Shield joint connector (ABS)
F73	1	★	C-1		ABS motor ground
F74	22	Black	B-3	B200	Bulkhead wiring harness (ABS)
F78	2	Black	C-2		Ambient sensor
F79	2	Gray	C-3		A/C pressure switch
F94	2	Gray	B-4		ABS front sensor LH
F95	2	Gray	B-2		ABS front sensor RH
F96	4	Gray	C-4	B255	Bulkhead wiring harness
F97	2	★	B-3		ABS condenser
F98	2	Black	C-4		Headlight LH (High beam)
F99	2	Black	B-1		Headlight RH (High beam)

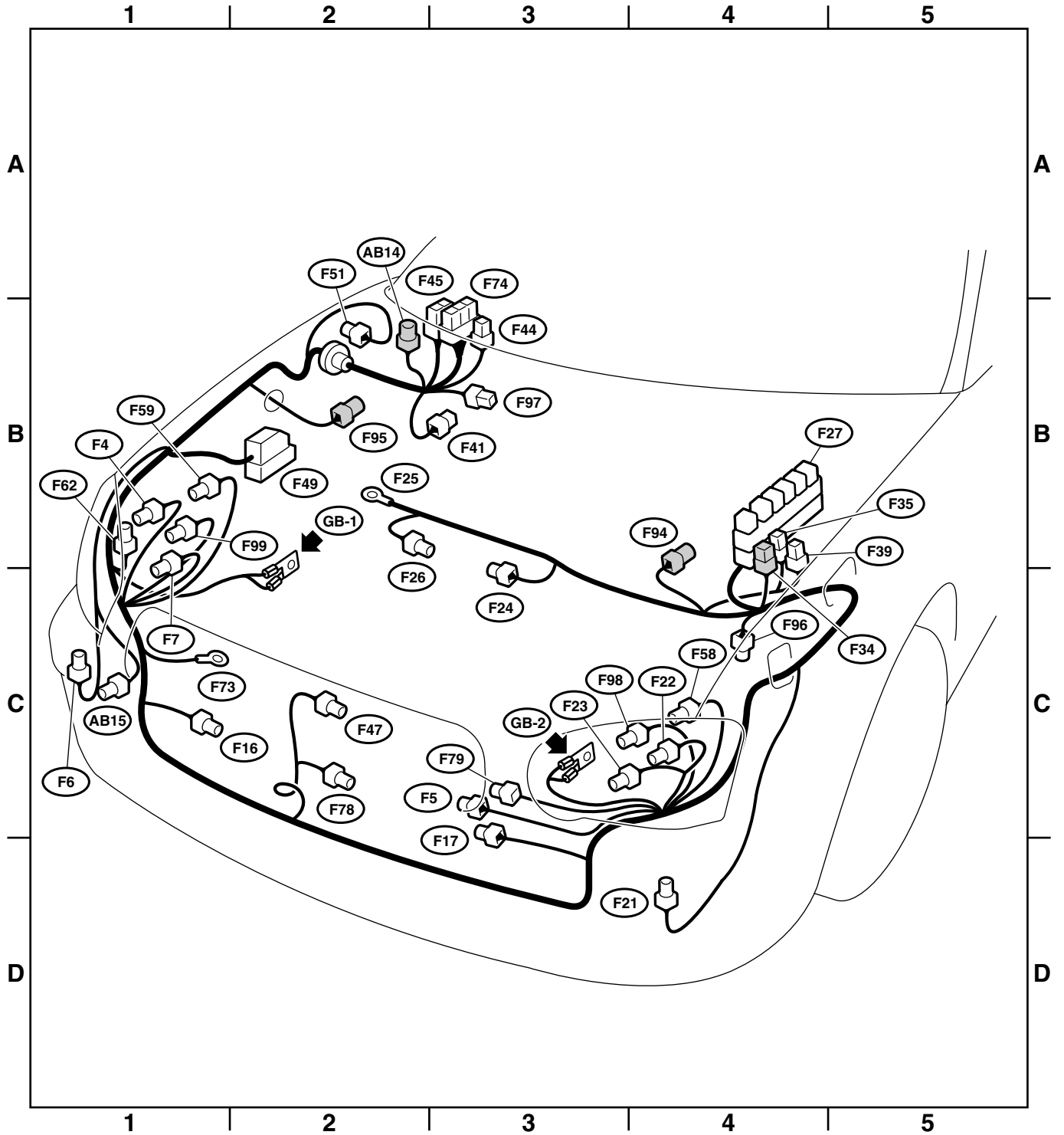
★: Non-colored

Front Wiring Harness

WIRING SYSTEM

• Front Sub Sensor Wiring Harness

Connector				Connecting to	
No.	Pole	Color	Area	No.	Name
AB14	2	Yellow	B-2	AB13	Airbag wiring harness
AB15	2	Yellow	C-1		Front sub sensor RH



WI-04522

Bulkhead Wiring Harness (In Engine Room)

WIRING SYSTEM

49. Bulkhead Wiring Harness (In Engine Room)

A: LOCATION

1. LHD NON-TURBO ENGINE MODEL

• Bulkhead Wiring Harness

Connector				Connecting to	
No.	Pole	Color	Area	No.	Name
B8	5	Gray	B-4		Front wiper motor
B11	20	Black	B-3	T4	Transmission (AT)
B12	12	★	B-3	T3	
B14	1	Black	B-4		Starter (Magnet)
B15	2	Gray	B-2		ABS front sensor RH
B16	2	Gray	B-4		Brake fluid level switch
B17	3	★	B-3		Vehicle speed sensor (MT)
B18	4	★	C-3		Front oxygen (A/F) sensor (With OBD)
B19	4	★	B-3		Rear oxygen sensor (With OBD)
B21	20	Gray	C-2	E2	Engine wiring harness
B22	16	Brown	B-2	E3	
B24	2	Gray	B-3	T1	Back-up light switch (MT)
B25	2	Brown	B-3	T2	Neutral position switch (MT)
B28	3	★	B-2		CO resistor
B29	2	★	B-3	T8	Dual range LO switch (MT)
B301	31	Black	B-2		ABS control module
B302	1	★	B-2		ABS motor ground
B303	8	Gray	B-1		Shield joint connector (ABS)
B305	2	★	B-2		Side turn signal light RH
B306	2	Black	C-1		Front fog light RH
B328	6	Black	B-2	E-58	Engine wiring harness

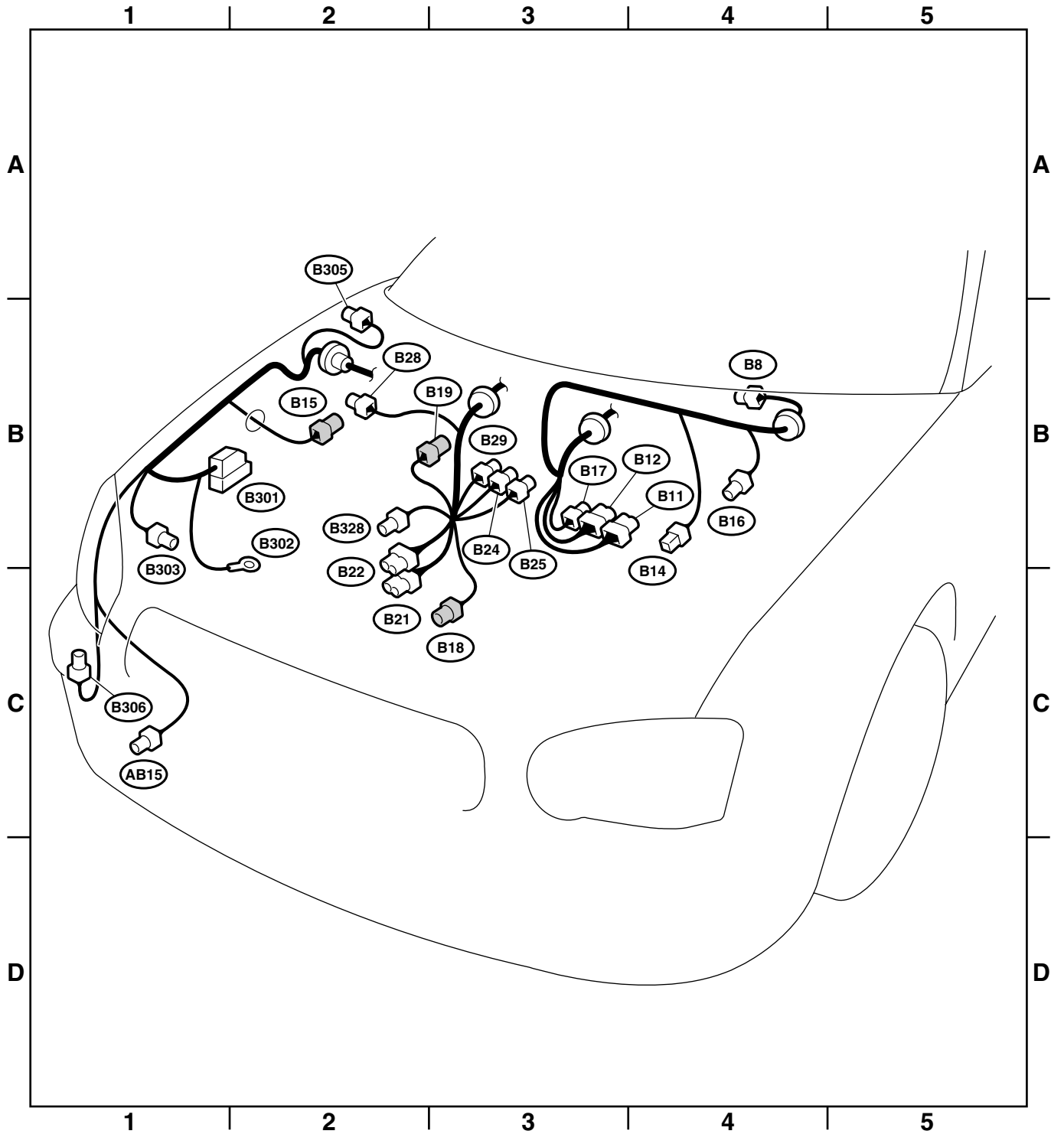
★: Non-colored

Bulkhead Wiring Harness (In Engine Room)

WIRING SYSTEM

• Airbag Wiring Harness

Connector				Connecting to	
No.	Pole	Color	Area	No.	Name
AB15	2	Yellow	C-1		Front sub sensor RH



WI-04523

Bulkhead Wiring Harness (In Engine Room)

WIRING SYSTEM

2. LHD TURBO ENGINE MODEL

• Bulkhead Wiring Harness

Connector				Connecting to	
No.	Pole	Color	Area	No.	Name
B3	5	Gray	B-2		Mass air flow sensor
B8	5	★	B-4		Front wiper motor
B14	1	Black	B-4		Starter (Magnet)
B15	2	Gray	B-2		ABS front sensor RH
B16	2	Gray	B-4		Brake fluid level switch
B17	4	★	B-3		Vehicle speed sensor (Except STi model)
	3	★	B-3		Vehicle speed sensor (STi model)
B18	4	★	B-2		Front oxygen (A/F) sensor
B19	4	★	B-3		Rear oxygen sensor
B20	10	★	B-2	E1	Engine wiring harness
B127	2	Blue	B-2		Wastegate control solenoid valve
B128	6	★	B-3	T9	Transmission (Model with DCCD)
	4	★	B-3	T9	Transmission (Model without DCCD)
B279	2	★	B-2		Exhaust temperature sensor
B301	31	Black	B-2		ABS control module
B302	1	★	B-2		ABS motor ground
B303	8	Gray	B-1		Shield joint connector (ABS)
B305	2	★	B-2		Side turn signal light RH
B306	2	Black	C-1		Front fog light RH

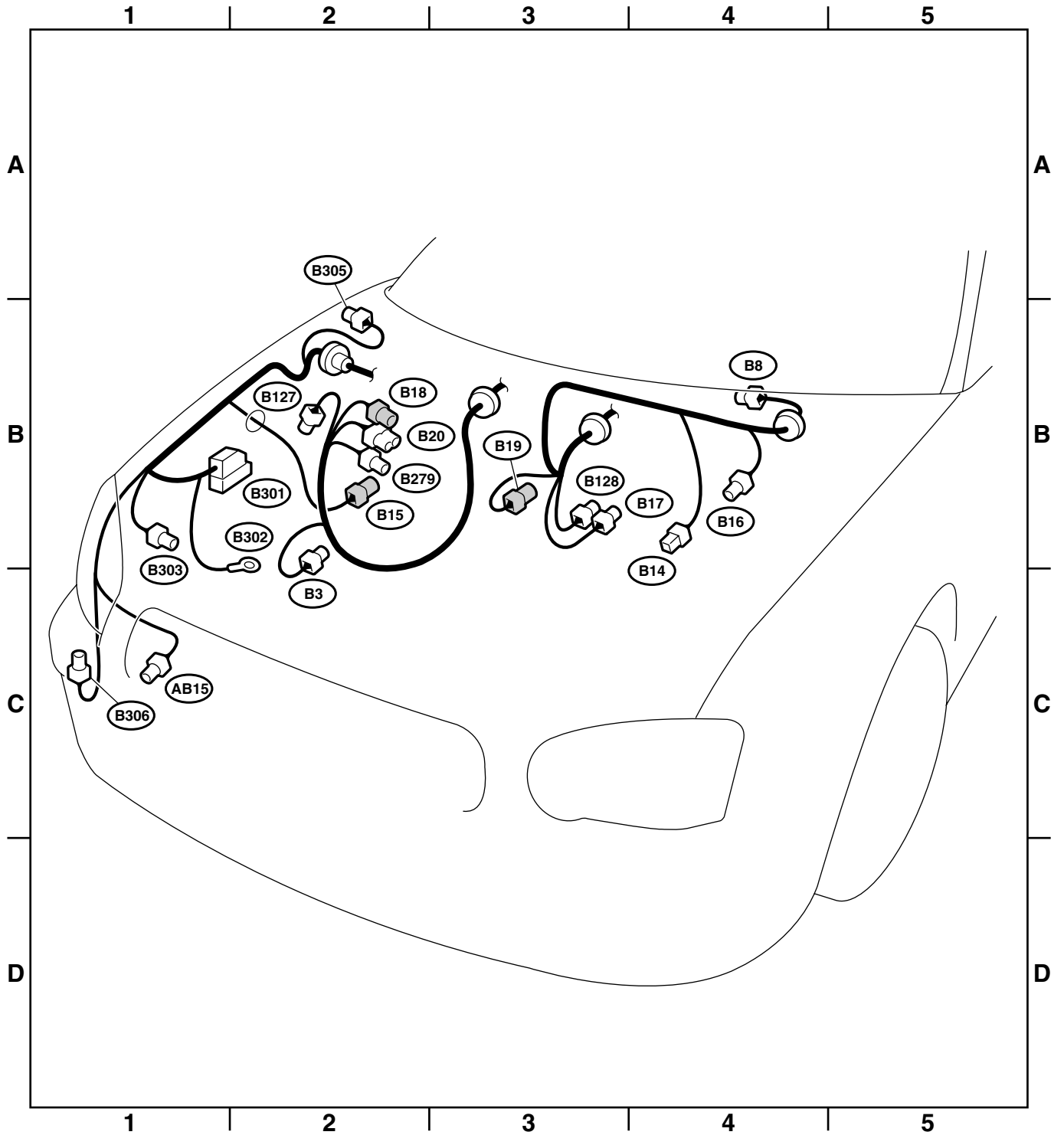
★: Non-colored

Bulkhead Wiring Harness (In Engine Room)

WIRING SYSTEM

• Airbag Wiring Harness

Connector				Connecting to	
No.	Pole	Color	Area	No.	Name
AB15	2	Yellow	C-1		Front sub sensor RH



WI-02218

Bulkhead Wiring Harness (In Engine Room)

WIRING SYSTEM

3. RHD NON-TURBO ENGINE MODEL

• Bulkhead Wiring Harness

Connector				Connecting to	
No.	Pole	Color	Area	No.	Name
B7	6	Black	B-4		Cruise control actuator
B8	5	Black	B-3		Front wiper motor
B11	20	Black	B-3	T4	Transmission (AT)
B12	12	★	B-3	T3	
B14	1	Black	B-3		Starter (Magnet)
B16	2	Gray	B-2		Brake fluid level switch
B17	3	Black	B-3		Vehicle speed sensor (MT)
B18	4	★	B-2		Oxygen sensor (Catalytic converter equipped vehicle without OBD)
	4	★	C-2		Front oxygen (A/F) sensor (With OBD)
B19	4	★	B-3	T5	Rear oxygen sensor (With OBD)
B21	20	Light gray	C-2	E2	Engine wiring harness
B22	16	Brown	B-2	E3	
B24	2	Gray	B-3	T1	Back-up light switch (MT)
B25	2	Brown	B-3	T2	Neutral position switch (MT)
B28	3	★	B-2		CO resistor (Without catalytic converter)
B29	2	★	B-3	T8	Dual range LO switch (MT)
B143	3	★	B-4		M/B
B144	6	Black	B-4		
B145	1	★	B-4		
B146	2	Green	B-4		Front washer motor
B147	2	★	C-4		Rear washer motor
B148	2	★	B-5		Side turn signal light LH
B186	4	Black	B-4		M/B
B255	4	Gray	C-4	F96	Front wiring harness
B328	6	Black	B-2	E58	Engine wiring harness

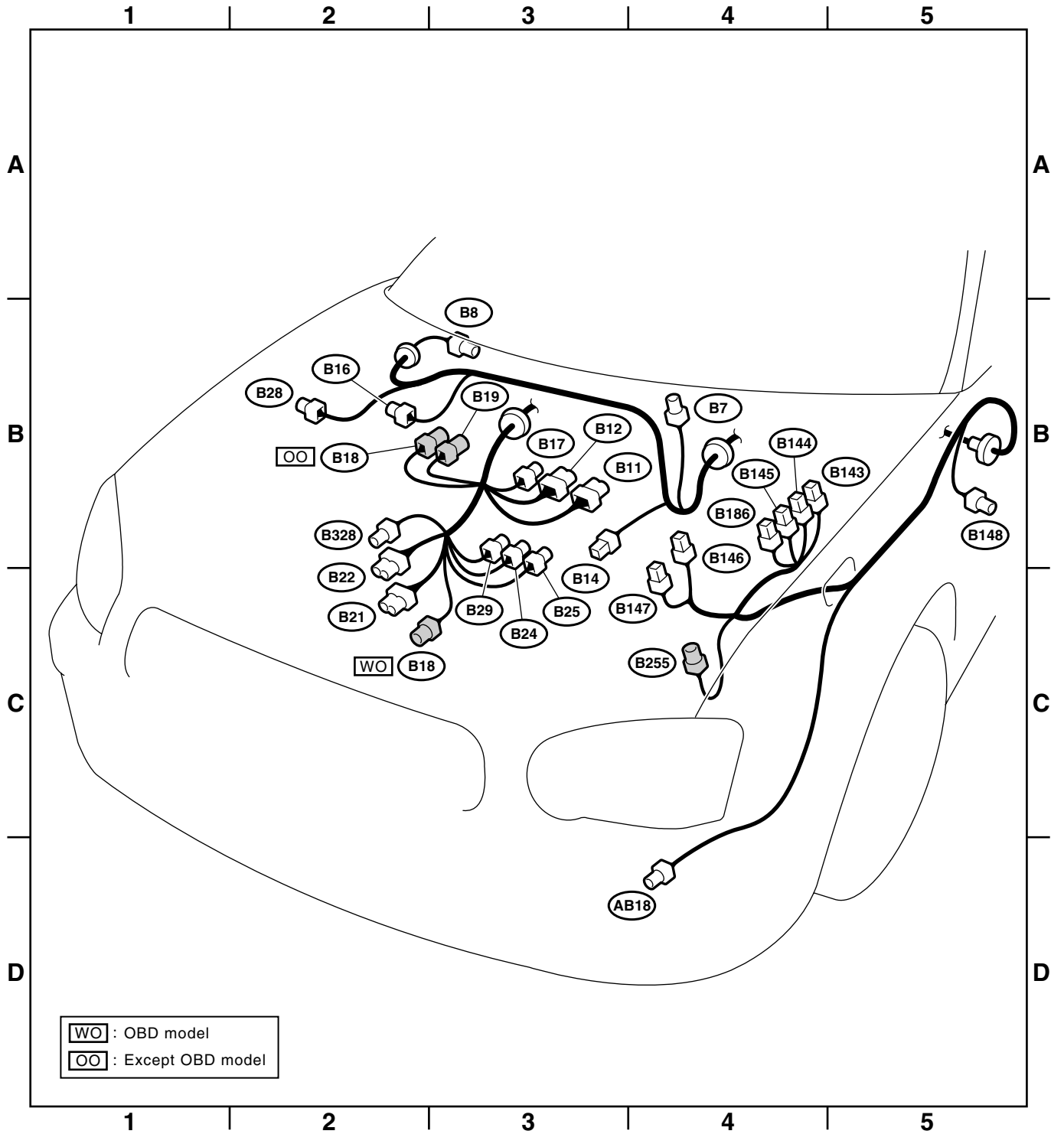
★: Non-colored

Bulkhead Wiring Harness (In Engine Room)

WIRING SYSTEM

• Airbag Wiring Harness

Connector				Connecting to	
No.	Pole	Color	Area	No.	Name
AB18	2	Yellow	D-4		Front sub sensor LH



WI-02219

Bulkhead Wiring Harness (In Engine Room)

WIRING SYSTEM

4. RHD TURBO ENGINE MODEL

• Bulkhead Wiring Harness

Connector				Connecting to	
No.	Pole	Color	Area	No.	Name
B3	5	Black	B-1		Mass air flow sensor
B7	6	Black	B-4		Cruise control actuator
B8	5	Gray	B-3		Front wiper motor
B11	20	Black	B-3	T4	Transmission (AT)
B12	12	★	B-3	T3	
B14	1	Black	B-3		Starter (Magnet)
B16	2	Gray	B-2		Brake fluid level switch
B17	3	Black	B-3		Vehicle speed sensor (MT-STi model)
	4	Black	B-3		Vehicle speed sensor (Except for MT-STi model)
B18	4	★	B-2		Front oxygen (A/F) sensor
B19	4	★	B-3		Rear oxygen sensor
B20	10	★	B-2	E1	Engine wiring harness
B21	20	Black	C-3	E2	Engine wiring harness
B22	16	Brown	C-3	E3	
B127	2	★	B-1		Wastegate control solenoid valve
B128	6	Gray	B-3	T9	Transmission (MT model with DCCD)
	4	Gray	B-3	T9	Transmission (MT model without DCCD)
B143	3	★	B-4		M/B
B144	6	Black	B-4		
B145	1	★	B-4		
B146	2	Green	B-4		Front washer motor
B147	2	★	C-4		Rear washer motor
B148	2	★	B-5		Side turn signal light LH
B186	4	Black	B-4		M/B
B255	4	Gray	C-4	F96	Front wiring harness (With ABS)
B279	2	★	B-2		Exhaust gas temperature sensor

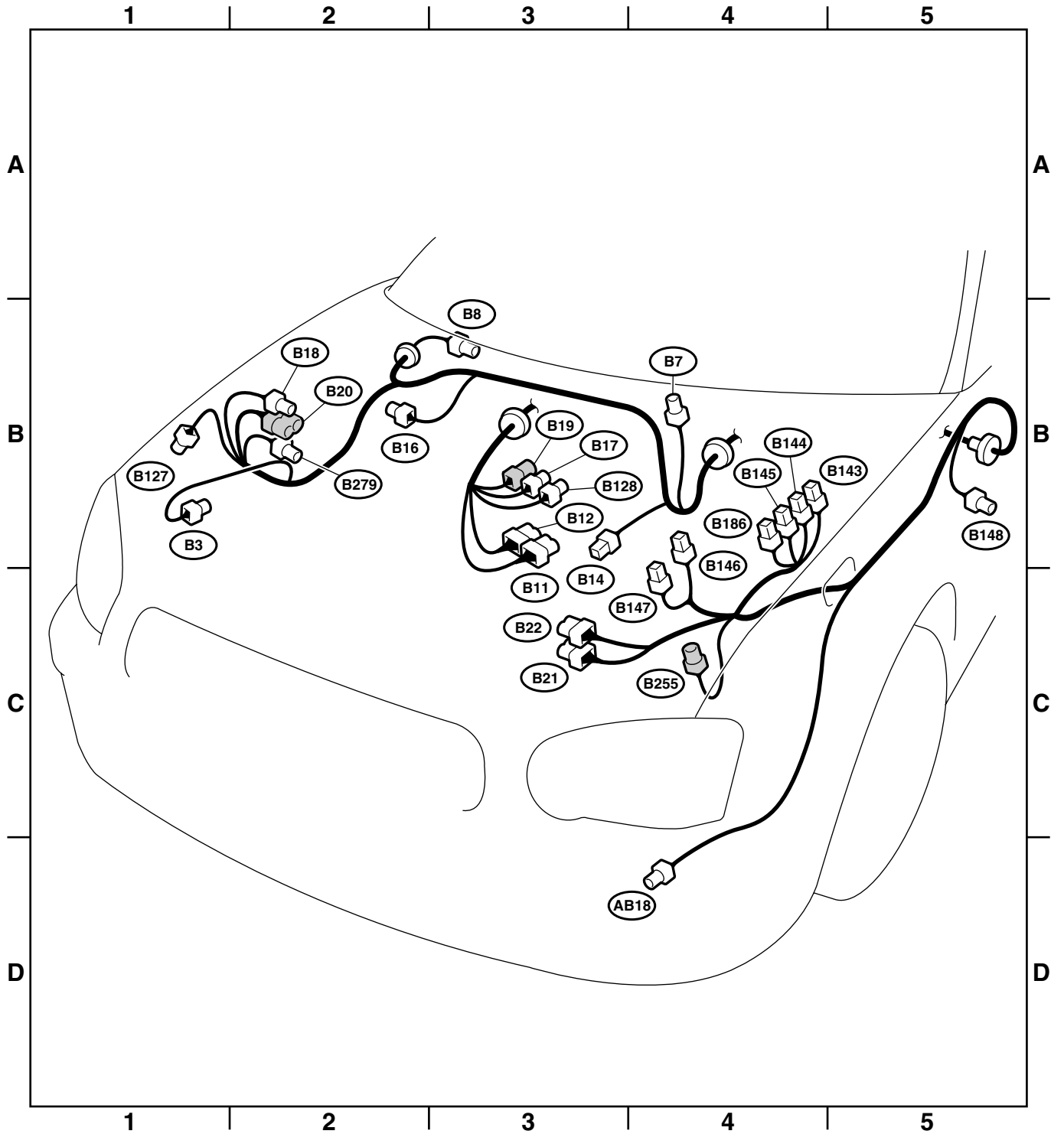
★: Non-colored

Bulkhead Wiring Harness (In Engine Room)

WIRING SYSTEM

• Airbag Wiring Harness

Connector				Connecting to	
No.	Pole	Color	Area	No.	Name
AB18	2	Yellow	D-4		Front sub sensor LH



WI-02220

Bulkhead Wiring Harness (In Compartment)

WIRING SYSTEM

50. Bulkhead Wiring Harness (In Compartment)

A: LOCATION

1. LHD MODEL

• Bulkhead Wiring Harness

Connector				Connecting to	
No.	Pole	Color	Area	No.	Name
B30	25	★	D-1	D1	Front door cord LH
B31	6	Yellow	D-1	AB1	SRS (Airbag) harness
B32	3	Black	B-2		Turn & hazard module
B36	24	Brown	B-3	i1	Instrument panel wiring harness
B37	24	★	B-3	i2	
B40	16	Black	C-2		Data link connector
B41	2	★	C-1		Power window circuit breaker
B44	10	★	C-1		Seat belt warning module
B46	4	Green	B-5		Fuel pump relay
B47	6	Brown	B-5		Main relay
B50	4	★	C-1		Blower fan motor relay
B51	8	Blue	C-1		
B52	7	★	C-1		F/B
B53	12	Black	B-2		Shield joint connector (AT)
B54	24	★	B-3		Transmission control module
B55	24	Gray	B-3		
B56	24	Green	B-2		
B61	8	★	B-1	F44	Front wiring harness
B62	24	★	B-1	F45	
B64	2	Black	B-2		Stop light switch
B68	5	Black	C-3		Steering roll connector
B69	4	★	C-3		Combination switch
B70	18	★	C-3		
B71	17	★	C-3		
B72	4	Blue	C-3		Ignition switch
B74	2	Black	C-3		Key warning switch
B75	2	Green	C-2		Test mode connector
B76	2	Green	C-2		
B77	3	★	B-4		Mode actuator
B79	14	Gray	C-2		Check connector
B81	1×2	★	C-2		Diagnosis terminal (Ground)
B82	6	Black	C-2		Diagnosis connector
B83	6	★	C-4		Shield & sensor ground joint connector (E/G) (With OBD)
	8	★	C-4		Shield & sensor ground joint connector (E/G) (Without OBD)

Connector				Connecting to	
No.	Pole	Color	Area	No.	Name
B84	31	★	C-4		Engine control module
B85	4	Brown	B-3		Diode (Rear fog light)
B86	4	Brown	B-4		Blower fan resistor (Manual A/C)
B87	2	★	B-5		Blower fan motor
B88	4	Brown	B-4		Evaporator thermo switch (Manual A/C)
B90	4	★	B-5	R50	Roof cord
B91	6	Black	B-4		FRESH/RECIRC actuator
B100	24	Black	C-5	F2	Front wiring harness
B101	25	★	B-4	D11	Front door cord RH
B108	2	Black	B-1	F46	Front wiring harness
B116	6	★	C-4		Select lever illumination light
B119	4	★	C-4		Front accessory power supply socket
B120	14	★	C-4		Radio
B121	1	Black	C-4		Audio ground
B125	1	Green	C-5	B126	Line end connector
	1	Black	C-2	B126	Read memory connector
B126	1	Green	C-5	B125	Line end connector
	1	Black	C-2	B125	Read memory connector
B129	2	Black	B-3		Kick down switch (AT)
B131	4	Blue	C-1		Rear fog light relay
B132	8	★	C-2		Head light leveler switch
B133	6	★	D-5		AT power mode & hold mode switch
B134	22	★	C-5		Engine control module (Turbo model)
	35	★	C-5		Engine control module (Non-turbo model)
B135	28	★	C-4		Engine control module
B136	17	★	B-4		Engine control module (Turbo model)
	26	★	B-4		Engine control module (Non-turbo model)
	30	★	B-4		Engine control module (Non-turbo model)
B137	20	★	B-4		Engine control module (Non-turbo model)
	24	★	B-4		Engine control module (Turbo model)
B141	12	★	B-2		Immobilizer control module
B152	12	★	C-1		F/B
B158	10	Gray	D-1		F/B
B160	6	Gray	C-1		Front fog light switch

Bulkhead Wiring Harness (In Compartment)

WIRING SYSTEM

Connector				Connecting to	
No.	Pole	Color	Area	No.	Name
B168	10	★	C-4		Mode control switch (Manual A/C)
B169	6	★	C-4		Blower fan motor switch (Manual A/C)
B176	18	★	C-1		Keyless entry control module
B183	1	★	D-1	B184	Keyless registration connector
B184	1	★	D-1	B183	
B195	6	★	C-1		Rear fog light switch
B198	5	★	C-5	GB-9	Ground joint connector
B200	16	Blue	B-1	F74	Front wiring harness
B208	2	Black	B-5		Glove box light
B224	2	★	C-3		Ignition switch illumination light
B225	38	Black	C-2		Relay block
B256	2	★	B-3		Evaporator sensor
B257	3	★	D-5		ABS lateral G sensor (STi model)
B258	3	★	D-5		DCCD volume
B261	6	★	D-5		Joint connector (ABS STi model)
B264	4	Red	C-1		ABS relay
B271	12	Blue	C-1		F/B
B275	4	★	B-4		Fan control amp.
B282	16	Gray	C-4		Auto A/C control module
B283	20	Gray	C-4		
B284	10	★	D-5		Remote control rear-view mirror switch
B286	4	★	B-5		Intercooler water spray timer
B289	40	★	B-5		DCCD control module
B292	3	★	D-5		ABS G sensor
B293	3	★	B-4		Air mix actuator (Auto A/C)
B294	6	★	C-2		Intercooler water spray switch
B296	4	★	B-2		Rear defogger timer
B300	6	★	C-2		Line end check connector
B304	2	Black	B-5		ABS condenser
B338	3	★	D-5		DCCD G sensor
B339	6	★	D-5		DCCD mode switch

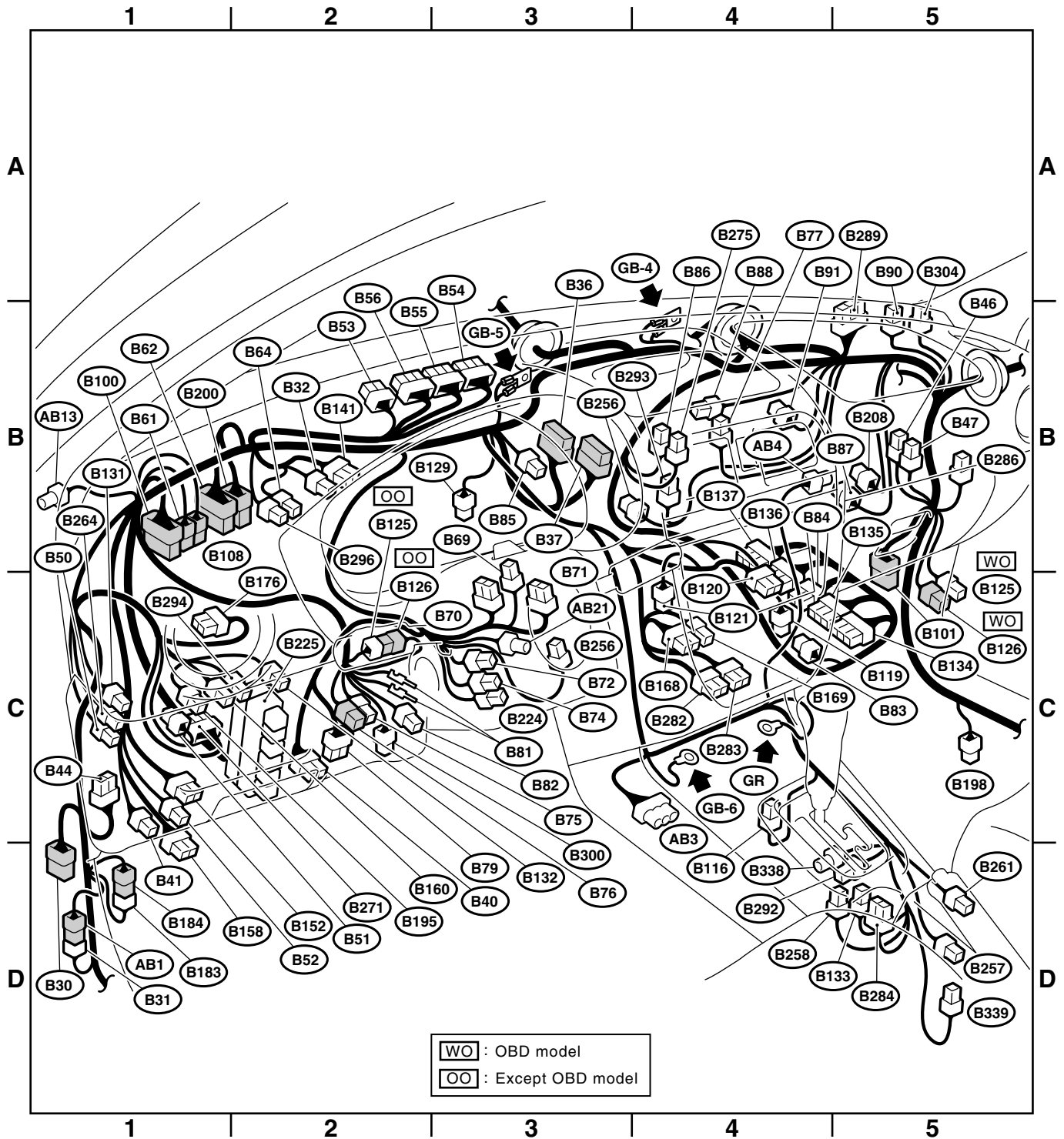
★: Non-colored

Bulkhead Wiring Harness (In Compartment)

WIRING SYSTEM

• Airbag Wiring Harness

Connector				Connecting to	
No.	Pole	Color	Area	No.	Name
AB1	6	Yellow	D-1	B31	Bulkhead wiring harness
AB3	28	Yellow	C-4		Airbag control module
AB4	2	Yellow	B-4		Inflator (Passenger's seat)
AB13	2	Yellow	B-1	AB14	Front sub sensor harness LH
AB21	2	Yellow	C-3	AB26	Inflator (Driver's seat)



Bulkhead Wiring Harness (In Compartment)

WIRING SYSTEM

2. RHD MODEL

• Bulkhead Wiring Harness

Connector				Connecting to	
No.	Pole	Color	Area	No.	Name
B30	25	★	C-5	D1	Front door cord RH
B31	6	Yellow	D-5	AB1	SRS (Airbag) harness
B32	3	Black	B-4		Turn & hazard module
B37	32	★	B-3	i2	Instrument panel wiring harness
B38	10	Black	B-3	i3	Instrument panel wiring harness (MT model without DCCD)
	22	Black	B-3	i3	Instrument panel wiring harness (AT model and MT model with DCCD)
B40	16	Black	C-4		Data link connector
B41	2	★	C-5		Power window circuit breaker
B43	6	Black	C-2		Illumination control module
B44	10	★	D-5		Seatbelt warning module
B46	4	Green	B-1		Fuel pump relay
B47	6	★	B-1		Main relay
B50	4	★	C-5		Blower fan motor relay
B51	8	Blue	C-5		F/B
B52	7	★	C-5		
B53	12	Black	B-4		Shield joint connector (AT)
B54	24	★	B-3		Transmission control module
B55	24	Gray	B-3		
B56	24	Green	B-4		
B61	8	Black	B-5	F44	Front wiring harness
B62	18	★	B-5	F45	
B64	2	Black	C-4		Stop light switch
B65	4	Black	C-4		Stop&brake switch (With cruise control)
B68	5	Black	C-3		Cruise control sub switch
B69	4	★	B-3		Combination switch
B70	18	★	C-3		
B71	17	★	B-3		
B72	4	Blue	C-3		Ignition switch
B74	2	Black	C-3		Key warning switch
B75	2	Green	C-4	B76	Test mode connector
B76	2	Green	C-4	B75	
B77	3	★	B-2		Mode actuator
B79	14	Gray	C-4		Check connector
B81	1×2	★	C-4		Diagnosis terminal (Ground)
B82	6	Black	C-4		Diagnosis connector

Connector				Connecting to	
No.	Pole	Color	Area	No.	Name
B83	4	★	C-2		Shield & sensor ground joint connector (E/G) (Non-turbo model with immobilizer)
	6	★	C-2		Shield & sensor ground joint connector (E/G) (Non-turbo model without immobilizer)
	6	Gray	C-2		Shield & sensor ground joint connector (E/G) (Turbo model)
B84	31	★	B-2		Engine control module
B85	4	Black	B-4		Diode (Lighting)
B86	4	Brown	B-2		Blower fan motor resistor (Manual A/C)
B87	2	★	B-1		Blower fan motor
B88	4	Brown	B-2		Evaporator thermo switch (Manual A/C)
B90	4	★	B-5	R50	Roof cord
B91	6	Black	B-2		FRESH/RECIRC actuator
B93	20	★	B-1		Security control module
B94	20	Black	D-5		Cruise control module
B101	25	★	B-1	D11	Front door cord LH
B107	2	★	B-3		Clutch switch (Cruise control)
B116	6	★	C-2		Select lever illumination light (AT)
B119	4	★	C-2		Front accessory power supply socket
B120	14	★	B-2		Radio
B121	1	★	B-2		Audio ground
B125	1	Green	B-1	B126	Line end connector
	1	Black	C-4	B126	Read memory connector
B126	1	Green	B-1	B125	Line end connector
	1	Black	C-4	B125	Read memory connector
B129	2	Black	B-5		Kick down switch (AT)
B131	4	Blue	C-5		Rear fog light relay
B132	8	★	C-4		Head light leveler switch
B133	6	Blue	D-1		AT power mode & hold mode switch
B134	22	★	C-1		Engine control module (Turbo model)
	35	★	C-1		Engine control module (Non-turbo model)

Bulkhead Wiring Harness (In Compartment)

WIRING SYSTEM

Connector				Connecting to	
No.	Pole	Color	Area	No.	Name
B135	28	★	C-2		Engine control module (Turbo model)
	28	★	C-2		Engine control module (Non-turbo model)
B136	17	★	B-2		Engine control module (Turbo model)
	26	★	B-2		Engine control module (Non-turbo with OBD model)
	30	★	B-2		Engine control module (Non-turbo without OBD model)
B137	20	★	B-2		Engine control module (Non-turbo model)
	24	★	B-2		Engine control module (Turbo model)
B141	12	★	B-3		Immobilizer control module
B152	12	★	C-5		F/B
B158	10	Gray	C-5		F/B
B159	9	Brown	C-5		F/B
B160	6	Gray	C-5		Front fog light switch
B161	6	Brown	C-4		Cruise control main switch
B168	10	★	C-2		Mode control panel (Manual A/C)
B169	6	★	C-2		Blower fan motor switch (Manual A/C)
B176	18	★	C-5		Keyless entry control module
B183	1	★	D-5	B184	Keyless registration connector
B184	1	★	D-5	B183	
B195	6	★	C-5		Rear fog light switch
B198	1	★	B-3	B199	Joint connection (Ground)
B199	1	★	B-3	B198	
B200	22	Black	B-5	F74	Front wiring harness
B208	2	★	B-1		Glove box light
B224	2	★	C-3		Ignition switch illumination light
B225	38	Black	C-4		Relay block
B237	6	Black	C-2		Sports shift switch
B256	2	★	B-2		Evaporator sensor
B257	3	Black	D-1		ABS lateral G sensor
B258	3	★	D-1		DCCD volume
B259	2	★	C-1	B260	Oxygen sensor joint connector (Turbo model)
B260	2	★	C-1	B259	
B261	6	★	B-5		Joint connector (ABS-STi model)
B264	4	Pink	C-5		ABS relay
B271	12	Blue	C-5		F/B
B275	4	★	B-2		Fan control amp

Connector				Connecting to	
No.	Pole	Color	Area	No.	Name
B282	16	Gray	C-2		Auto A/C control module
B283	20	Gray	C-2		
B284	10	★	D-1		Remote control rear-view mirror switch
B286	4	★	B-1		Intercooler water spray timer
B289	40	★	B-4		DCCD control module
B292	3	Black	D-2		ABS G sensor
B293	3	★	B-2		Air mix actuator (Auto A/C)
B294	6	★	C-4		Intercooler water spray switch
B296	4	★	B-4		Rear defogger timer
B300	6	★	C-4		Line end check connector
B323	4	Blue	B-5		Security relay
B324	16	Gray	B-4		Double lock control module
B325	20	Gray	B-4		
B338	3	★	C-1		DCCD G sensor
B339	6	★	D-1		DCCD mode switch

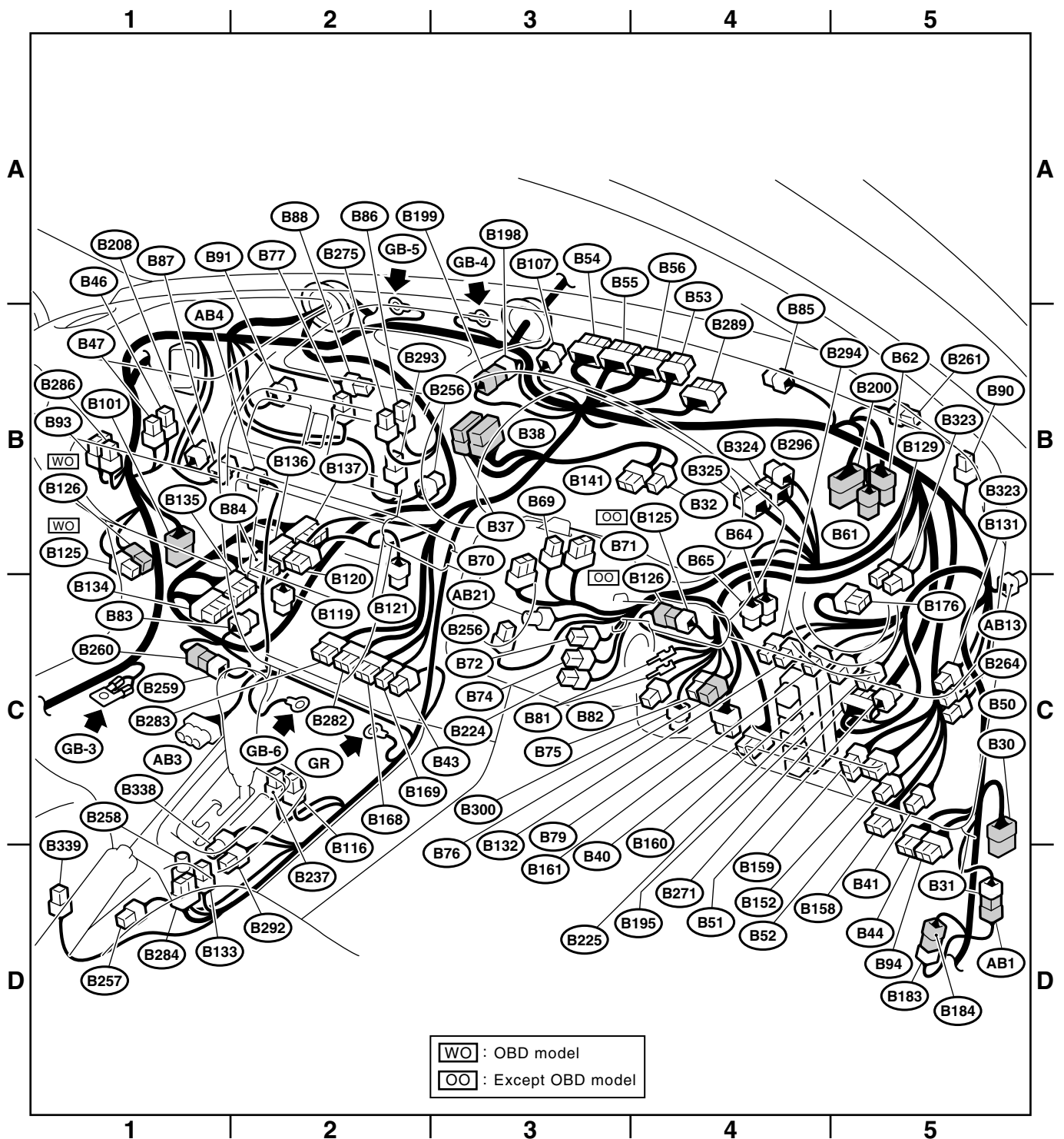
★: Non-colored

Bulkhead Wiring Harness (In Compartment)

WIRING SYSTEM

• Airbag Wiring Harness

Connector				Connecting to	
No.	Pole	Color	Area	No.	Name
AB1	6	Yellow	D-5	B31	Bulkhead wiring harness
AB3	28	Yellow	C-1		Airbag control module
AB4	2	Yellow	B-2		Inflator (Passenger's seat)
AB13	2	Yellow	C-5	AB14	Front sub sensor harness RH
AB21	2	Yellow	C-3	AB26	Inflator (Driver's seat)



Engine Wiring Harness and Transmission Cord

WIRING SYSTEM

51.Engine Wiring Harness and Transmission Cord

A: LOCATION

1. SOHC W/O OBD MODEL

Connector				Connecting to	
No.	Pole	Color	Area	No.	Name
E2	20	Light gray	A-4	B21	Bulkhead wiring harness
E3	16	Brown	A-4	B22	Bulkhead wiring harness
E4	2	Blue	A-3		Purge control solenoid valve
E5	2	Light gray	A-2		Fuel injector No. 1
E6	2	Light gray	A-2		Fuel injector No. 3
E7	6	Black	A-2		Idle air control solenoid valve
E8	3	Light gray	A-3		Engine coolant temperature sensor and thermometer
E10	2	Light gray	B-3		Crankshaft position sensor
E11	1	★	B-2		Oil pressure switch
E12	4	Gray	A-2		Ignition coil and ignitor (1.6 L model)
		Dark gray	A-2		Ignition coil and ignitor (Except 1.6 L model)
E13	4	Dark brown	A-3		Throttle position sensor
E14	2	★	A-3		Knock sensor
E15	2	Black	B-4		Camshaft position sensor
E16	2	Light gray	B-4		Fuel injector No. 2
E17	2	Light gray	B-4		Fuel injector No. 4
E19	1	★	B-2		Power steering oil pressure switch
E20	4	Black	A-3		Pressure sensor and intake air temperature sensor

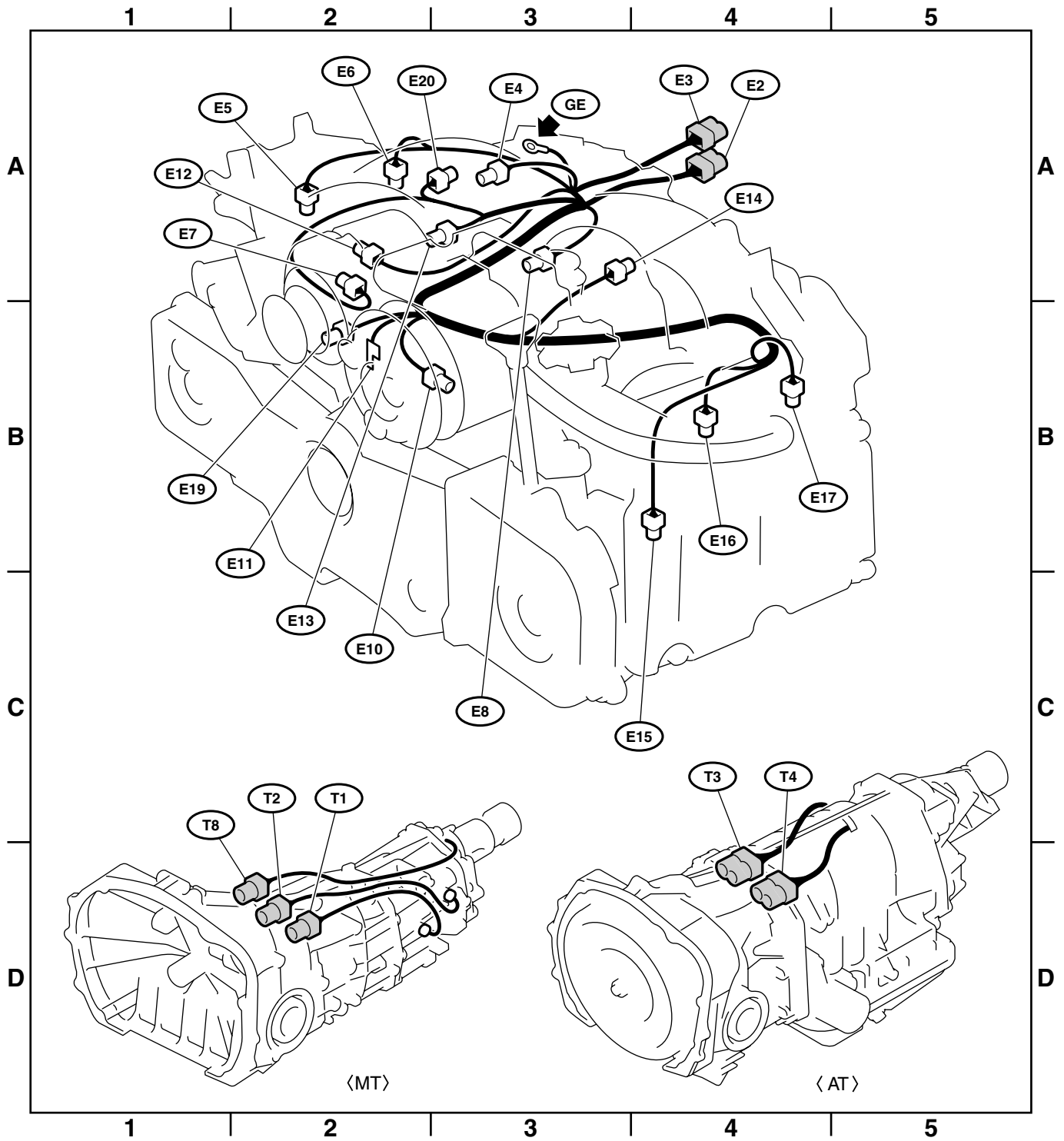
★: Non-colored

Connector				Connecting to	
No.	Pole	Color	Area	No.	Name
T1	2	Gray	D-2	B24	Bulkhead wiring harness (MT)
T2	2	Brown	D-2	B25	Bulkhead wiring harness (MT)
T3	12	Black	D-4	B12	Bulkhead wiring harness (AT)
T4	20	Black	D-4	B11	Bulkhead wiring harness (AT)
T8	2	★	D-2	B29	Bulkhead wiring harness (MT)

★: Non-colored

Engine Wiring Harness and Transmission Cord

WIRING SYSTEM



WI-04526

Engine Wiring Harness and Transmission Cord

WIRING SYSTEM

2. SOHC WITH OBD MODEL

Connector				Connecting to	
No.	Pole	Color	Area	No.	Name
E2	20	Light gray	A-4	B21	Bulkhead wiring harness
E3	16	Brown	A-4	B22	Bulkhead wiring harness
E4	2	Black	A-3		Purge control solenoid valve
E5	2	Light gray	A-2		Fuel injector No. 1
E6	2	Light gray	A-2		Fuel injector No. 3
E7	6	Black	A-2		Idle air control solenoid valve
E8	3	Light gray	A-3		Engine coolant temperature sensor and thermometer
E10	2	Light gray	B-3		Crankshaft position sensor
E11	1	★	B-2		Oil pressure switch
E12	4	Gray	A-2		Ignition coil and ignitor (1.6 L model)
		Dark gray	A-2		Ignition coil and ignitor (Except 1.6 L model)
E13	4	Dark brown	A-3		Throttle position sensor
E14	2	Light gray	A-3		Knock sensor
E15	2	Black	B-4		Camshaft position sensor
E16	2	Light gray	B-4		Fuel injector No. 2
E17	2	Light gray	B-4		Fuel injector No. 4
E18	6	Dark gray	A-4		Exhaust gas recirculation solenoid valve
E19	1	★	B-2		Power steering oil pressure switch
E20	2	Black	A-3		Intake air temperature sensor
E21	3	Light gray	A-2		Pressure sensor
E42	2	Purple	A-3		Air assist injector solenoid valve
E58	6	Black	A-4	B328	Bulkhead wiring harness

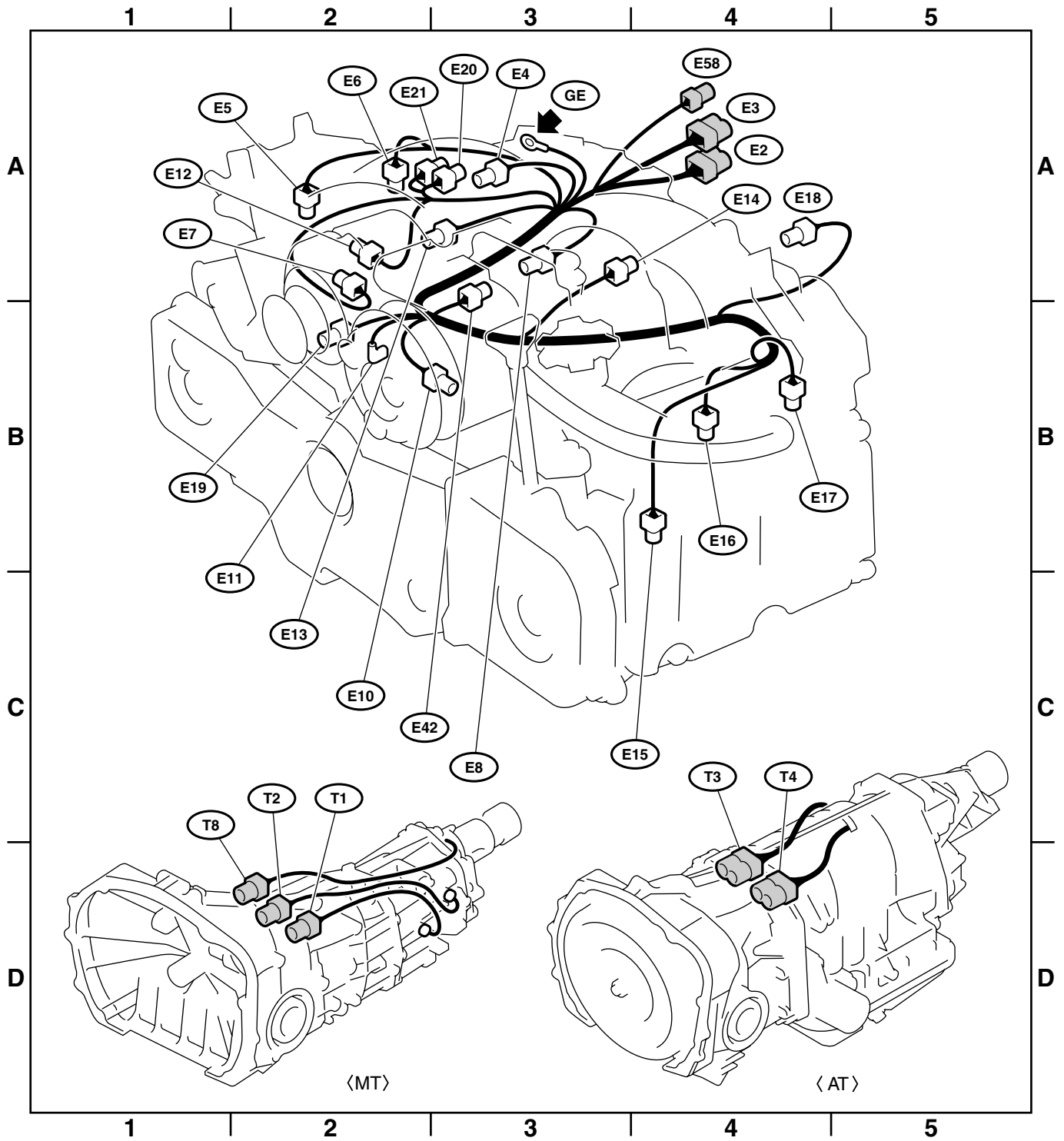
★: Non-colored

Connector				Connecting to	
No.	Pole	Color	Area	No.	Name
T1	2	Gray	D-2	B24	Bulkhead wiring harness (MT)
T2	2	Brown	D-2	B25	Bulkhead wiring harness (MT)
T3	12	Black	D-4	B12	Bulkhead wiring harness (AT)
T4	20	Black	D-4	B11	Bulkhead wiring harness (AT)
T8	2	★	D-2	B29	Bulkhead wiring harness (MT)

★: Non-colored

Engine Wiring Harness and Transmission Cord

WIRING SYSTEM



WI-02224

Engine Wiring Harness and Transmission Cord

WIRING SYSTEM

3. DOHC TURBO MODEL

Connector				Connecting to	
No.	Pole	Color	Area	No.	Name
E1	10	Light gray	A-2	B20	Bulkhead wiring harness
E2	20	Black	B-4	F61	Front wiring harness (LHD model)
				B21	Bulkhead wiring harness (RHD model)
E3	16	Brown	B-4	F60	Front wiring harness (LHD model)
				B22	Bulkhead wiring harness (RHD model)
E4	2	Black	B-3		Purge control solenoid valve
E5	2	Dark gray	A-2		Fuel injector No. 1
E6	2	Dark gray	A-2		Fuel injector No. 3
E7	3	Light gray	A-3		Idle air control solenoid valve
E8	3	Light gray	B-3		Engine coolant temperature sensor and thermometer
E10	2	Light gray	B-2		Crankshaft position sensor
E11	1	★	B-2		Oil pressure switch
E13	3	Black	A-3		Throttle position sensor
E14	2	Brown	A-4		Knock sensor (STi model and except for Australia STi-model)
	2	Light gray	A-4		Knock sensor (Except for STi model - except for Australia)
E15	2	Light gray	B-3		Camshaft position sensor
E16	2	Dark gray	B-4		Fuel injector No. 2
E17	2	Dark gray	B-4		Fuel injector No. 4
E19	1	Light gray	B-2		Power steering oil pressure switch
E21	3	Black	A-3		Pressure sensor
E31	3	★	B-2		Ignition coil No. 1
E32	3	★	B-4		Ignition coil No. 2
E33	3	Black	A-3		Ignition coil No. 3
E34	3	Black	B-4		Ignition coil No. 4
E35	2	★	A-4		Active valve control camshaft position sensor LH
E36	2	★	A-3		Active valve control camshaft position sensor RH
E37	2	Blue	B-3		Active valve control solenoid valve LH
E38	2	Blue	A-2		Active valve control solenoid valve RH
E50	3	Black	B-3		Tumble generator valve angle sensor LH
E51	2	Black	A-4		Tumble generator valve LH
E54	3	Black	A-3		Tumble generator valve angle sensor RH
E55	2	Black	A-2		Tumble generator valve RH

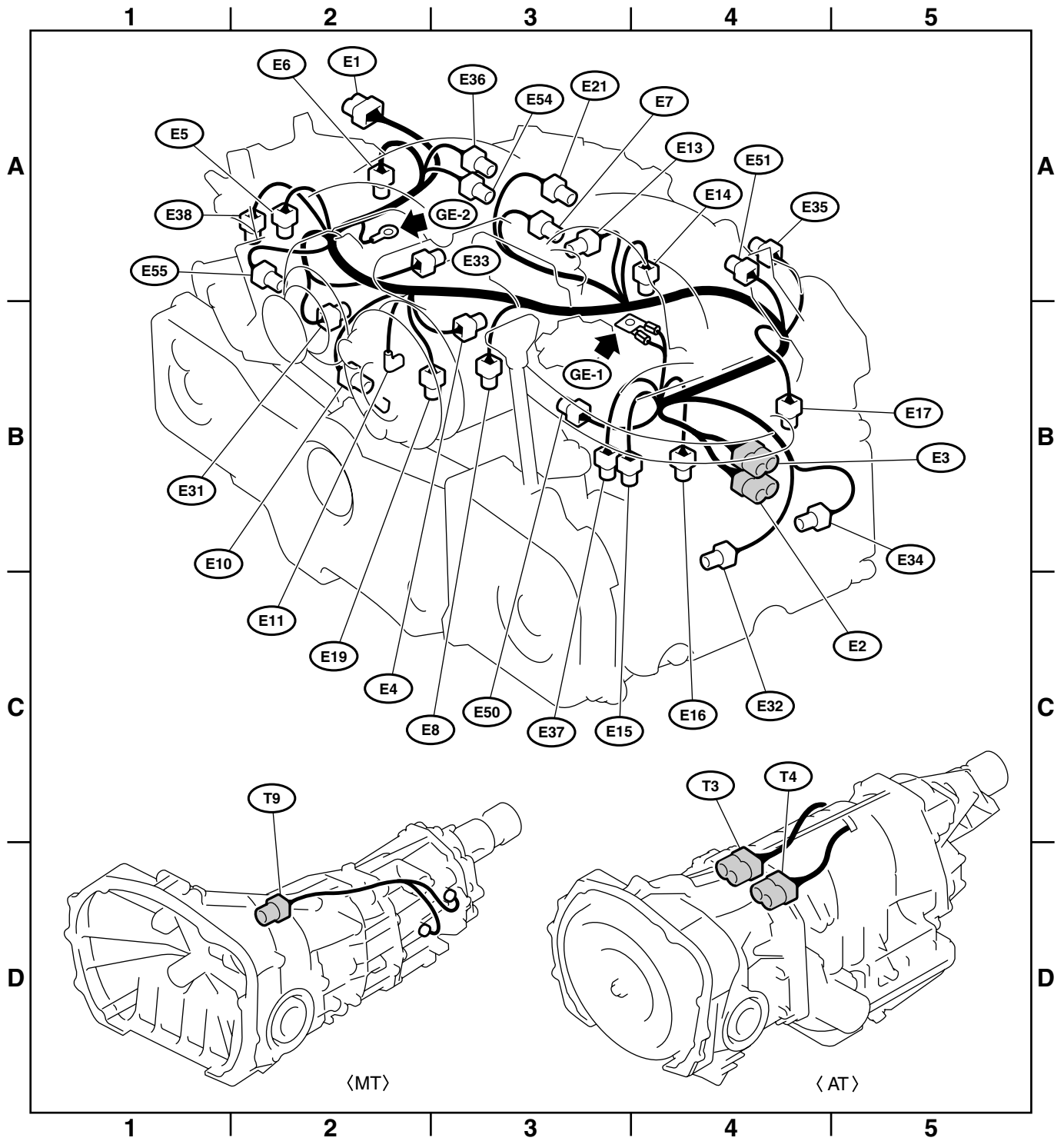
★: Non-colored

Connector				Connecting to	
No.	Pole	Color	Area	No.	Name
T3	12	Black	D-4	B12	Bulkhead wiring harness (AT)
T4	20	Black	D-4	B11	Bulkhead wiring harness (AT)
T9	4	★	D-2	B128	Bulkhead wiring harness (MT model without DCCD)
	6	★	D-2	B128	Bulkhead wiring harness (MT model with DCCD)

★: Non-colored

Engine Wiring Harness and Transmission Cord

WIRING SYSTEM



WI-04527

Instrument Panel Wiring Harness

WIRING SYSTEM

52. Instrument Panel Wiring Harness

A: LOCATION

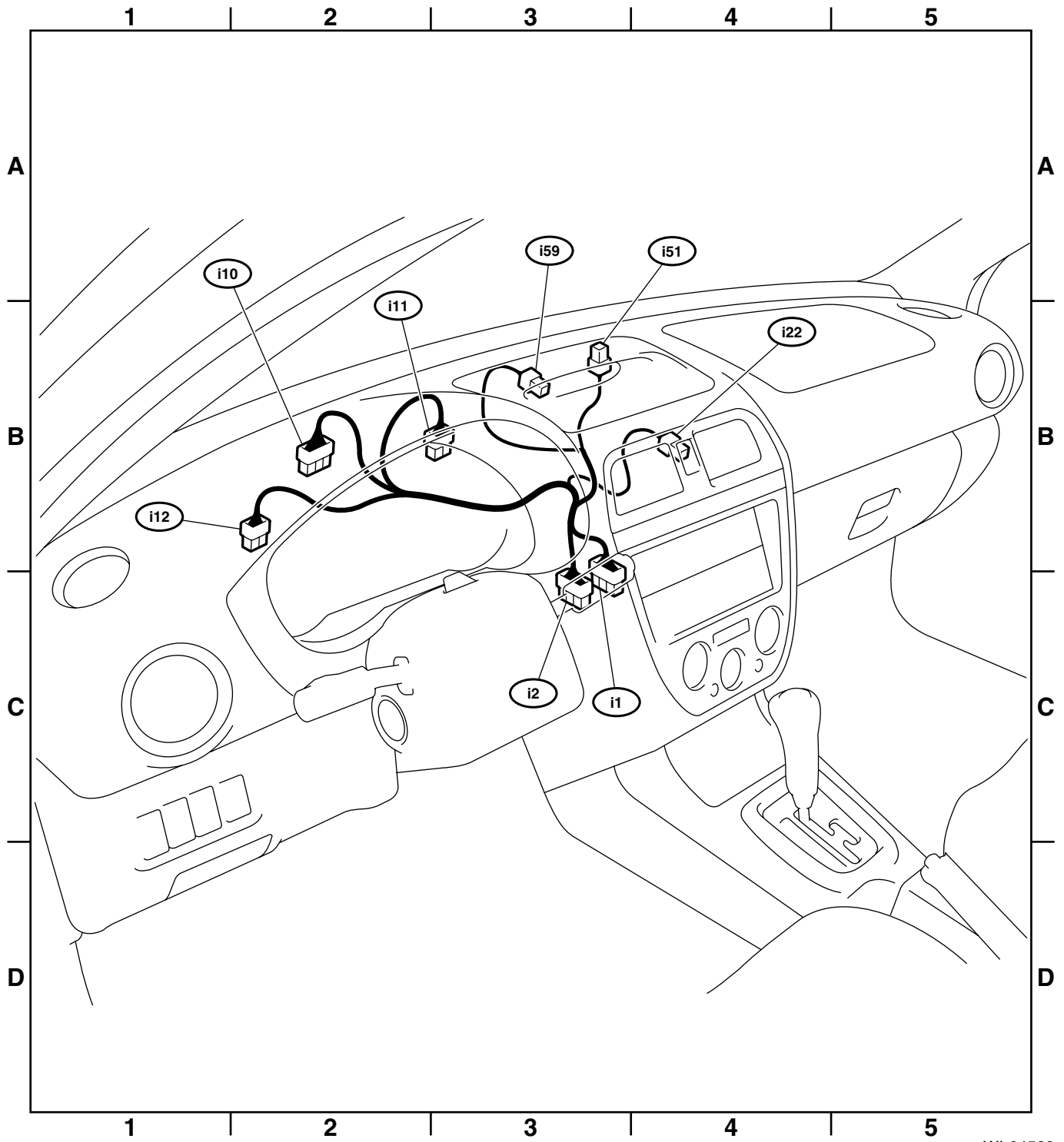
1. LHD MODEL

Connector				Connecting to	
No.	Pole	Color	Area	No.	Name
i1	24	Brown	C-3	B36	Bulkhead wiring harness
i2	24	★	C-3	B37	
i10	30	Green	B-2		Combination meter
i11	10	Green	B-3		
i12	14	Green	B-2		
i22	8	★	B-4		Hazard switch
i51	2	★	B-3		Sunload sensor
i59	4	★	B-3		Clock

★: Non-colored

Instrument Panel Wiring Harness

WIRING SYSTEM



WI-04528

Instrument Panel Wiring Harness

WIRING SYSTEM

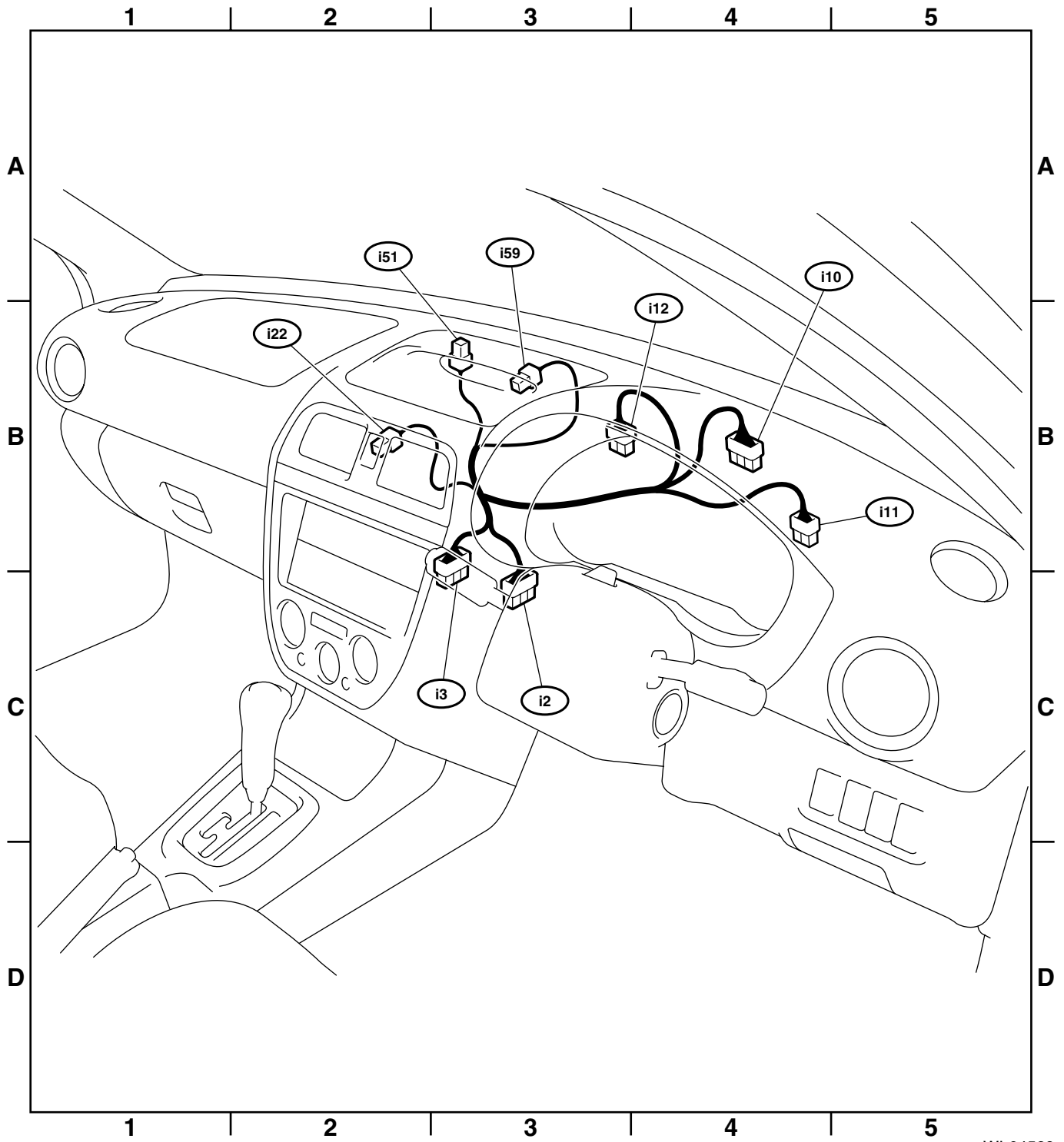
2. RHD MODEL

Connector				Connecting to	
No.	Pole	Color	Area	No.	Name
i2	32	★	C-3	B37	Bulkhead wiring harness
i3	10	Black	C-3	B38	Bulkhead wiring harness (MT model without DCCD)
	22	Black	C-3	B38	Bulkhead wiring harness (AT model and MT model with DCCD)
i10	30	Green	B-4		Combination meter
i11	10	Green	B-4		
i12	14	Green	B-3		
i22	8	★	B-2		Hazard switch
i51	2	★	B-3		Sunload sensor
i59	4	★	B-3		Clock

★: Non-colored

Instrument Panel Wiring Harness

WIRING SYSTEM



WI-04529

53. Rear Wiring Harness, Bulkhead Wiring Harness, Roof Cord and Fuel Tank Cord

A: LOCATION

1. LHD MODEL

• Rear Wiring Harness

Connector				Connecting to	
No.	Pole	Color	Area	No.	Name
R1	8	★	B-2	B97	Bulkhead wiring harness
R3	24	★	B-2	B99	Bulkhead wiring harness
R4	1	Black	B-3		Parking brake switch
R8	2	★	C-4		Seat belt switch
R15	4	★	B-3	R57	Fuel tank cord
R22	3	★	B-5		Rear door switch LH
R41	4	Blue	B-2		Seat heater RH
R42	4	★	B-3		Seat heater switch RH
R43	4	Blue	B-3		Seat heater switch LH
R44	4	Blue	C-4		Seat heater LH
R46	2	Black	B-3	R67	Fuel tank cord
R72	2	★	B-3		Rear ABS sensor RH
R73	2	★	B-5		Rear ABS sensor LH
R97	2	★	B-5		Antenna amp. (Sedan model)

★: Non-colored

• Bulkhead Wiring Harness

Connector				Connecting to	
No.	Pole	Color	Area	No.	Name
B97	8	★	B-2	R1	Rear wiring harness
B99	24	★	B-2	R3	Rear wiring harness
B265	8	★	A-2	D27	Rear door cord RH
B267	3	★	C-4		Front door switch LH
B268	3	★	B-2		Front door switch RH
B269	8	★	B-5	D21	Rear door cord LH

★: Non-colored

• Roof Cord

Connector				Connecting to	
No.	Pole	Color	Area	No.	Name
R50	4	★	B-1	B90	Bulkhead wiring harness
R52	3	★	A-3		Room light
R55	1	Gray	A-2		Sunroof
R56	2	★	A-3		Spot light

★: Non-colored

Rear Wiring Harness, Bulkhead Wiring Harness, Roof Cord and Fuel Tank Cord

WIRING SYSTEM

• Fuel Tank Cord

Connector				Connecting to	
No.	Pole	Color	Area	No.	Name
R57	4	★	B-3	R15	Rear wiring harness
R58	6	★	B-3		Fuel pump assembly
R59	2	★	B-4		Fuel sub level sensor (Turbo model)
R67	2	Black	B-3	R46	Rear wiring harness
R148	1	★	B-4		Rear differential gear oil temperature sensor (+)
R159	1	Black	B-4		Rear differential gear oil temperature sensor (-)

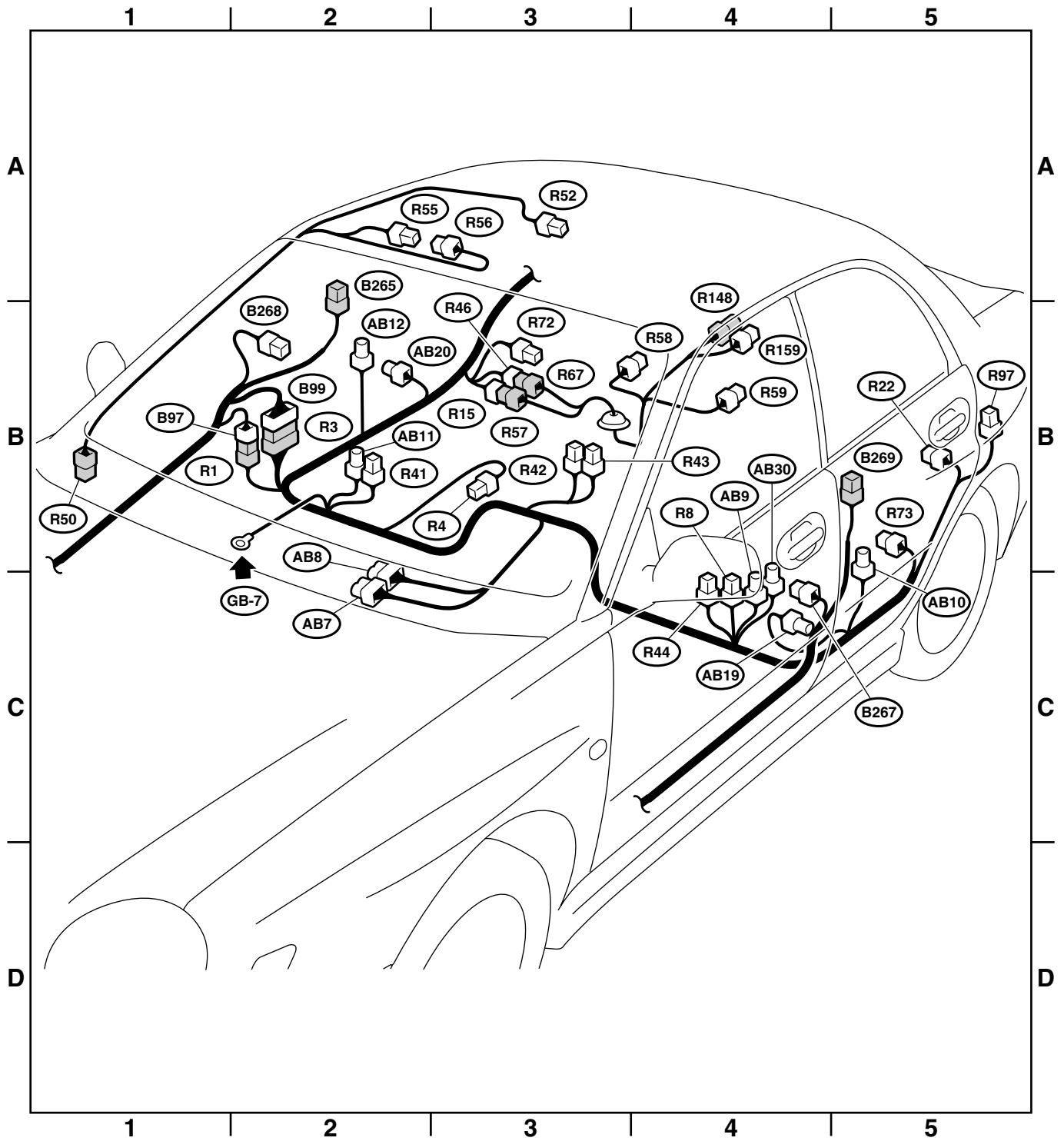
★: Non-colored

• Airbag Wiring Harness

Connector				Connecting to	
No.	Pole	Color	Area	No.	Name
AB7	12	Yellow	C-2		Airbag control module
AB8	12	Yellow	B-2		Airbag control module
AB9	2	Yellow	C-4		Seat airbag module LH
AB10	4	Yellow	B-5		Side sensor LH
AB11	2	Yellow	B-2		Seat airbag module RH
AB12	4	Yellow	B-2		Side sensor RH
AB19	2	Yellow	C-4		Pretensioner LH
AB20	2	Yellow	B-2		Pretensioner RH
AB30	2	Yellow	C-4		Double pretensioner LH

Rear Wiring Harness, Bulkhead Wiring Harness, Roof Cord and Fuel Tank Cord

WIRING SYSTEM



WI-04530

2. RHD MODEL

• Rear Wiring Harness

Connector				Connecting to	
No.	Pole	Color	Area	No.	Name
R1	8	Black	B-2	B97	Bulkhead wiring harness
R3	32	★	B-2	B99	Bulkhead wiring harness
R4	1	★	B-3		Parking brake switch
R8	2	★	B-2		Seat belt switch
R15	4	★	B-3	R57	Fuel tank cord
R22	3	★	B-5		Rear door switch LH
R41	4	Blue	B-2		Seat heater RH
R42	4	★	B-3		Seat heater switch RH
R43	4	Blue	B-3		Seat heater switch LH
R44	4	Blue	C-4		Seat heater LH
R46	2	Black	B-3	R67	Fuel tank cord
R72	2	★	B-3		Rear ABS sensor RH
R73	2	★	B-5		Rear ABS sensor LH
R97	2	★	B-5		Antenna amp. (Sedan model)

★: Non-colored

• Bulkhead Wiring Harness

Connector				Connecting to	
No.	Pole	Color	Area	No.	Name
B97	8	Black	B-2	R1	Rear wiring harness
B99	32	★	B-2	R3	Rear wiring harness
B265	8	★	B-2	D27	Rear door cord RH
B267	3	★	A-2		Front door switch RH
B268	3	★	C-4		Front door switch LH
B269	8	★	B-5	D21	Rear door cord LH

★: Non-colored

• Roof Cord

Connector				Connecting to	
No.	Pole	Color	Area	No.	Name
R50	4	★	B-1	B90	Bulkhead wiring harness
R52	3	★	A-3		Room light
R55	1	Gray	A-2		Sunroof
R56	2	★	A-3		Spot light

★: Non-colored

• Fuel Tank Cord

Connector				Connecting to	
No.	Pole	Color	Area	No.	Name
R57	4	★	B-3	R15	Rear wiring harness
R58	6	★	B-3		Fuel pump assembly
R59	2	★	B-4		Fuel sub level sensor (Turbo and 2.5 L model)
R67	2	Black	B-3	R46	Rear wiring harness
R148	1	★	B-4		Rear differential gear oil temperature sensor (+)
R159	1	Black	B-4		Rear differential gear oil temperature sensor (-)

★: Non-colored

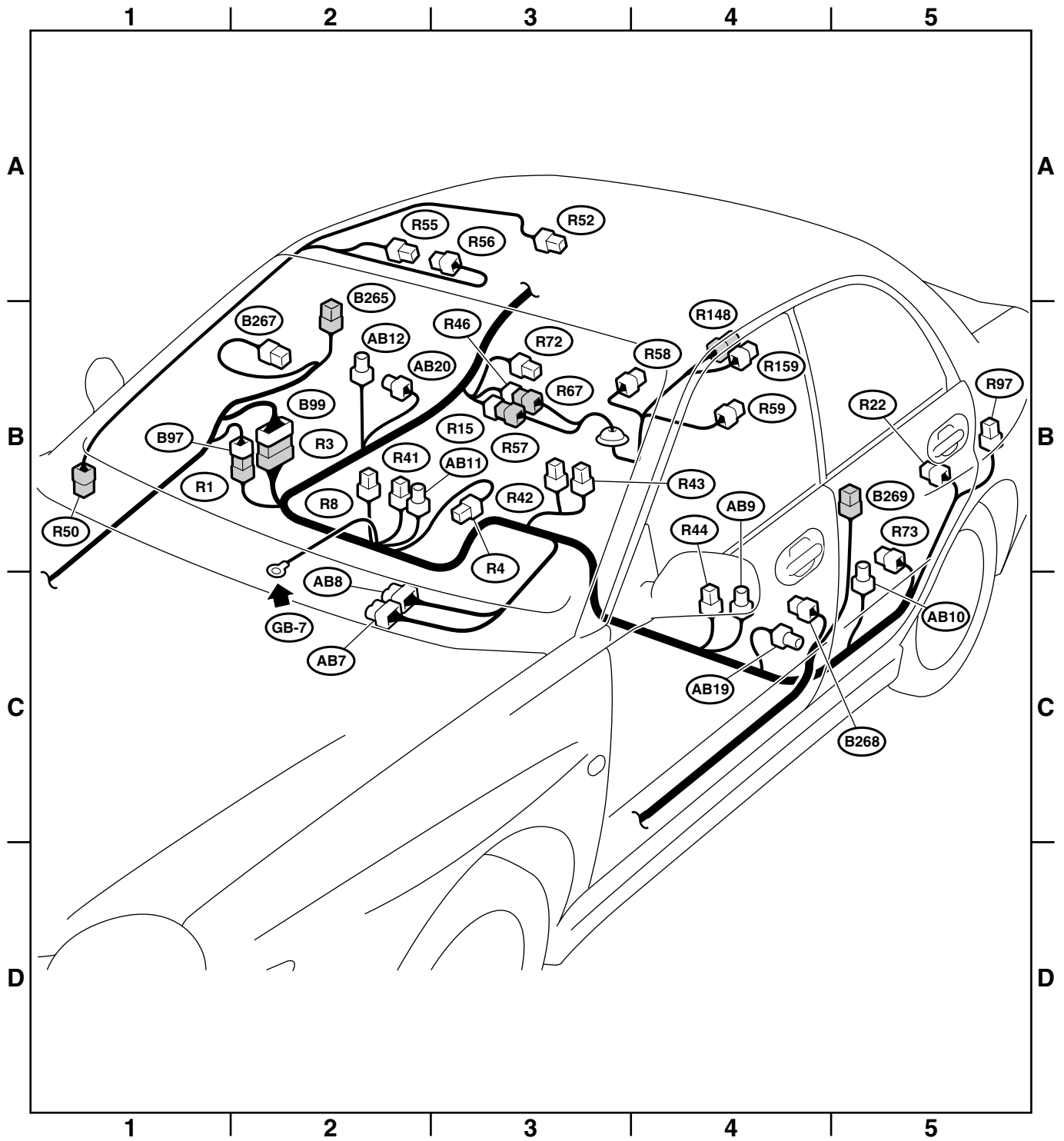
Rear Wiring Harness, Bulkhead Wiring Harness, Roof Cord and Fuel Tank Cord WIRING SYSTEM

• Airbag Wiring Harness

Connector				Connecting to	
No.	Pole	Color	Area	No.	Name
AB7	12	Yellow	C-2		Airbag control module
AB8	12	Yellow	C-2		Airbag control module
AB9	2	Yellow	C-4		Seat airbag module LH
AB10	4	Yellow	C-5		Side sensor LH
AB11	2	Yellow	B-2		Seat airbag module RH
AB12	4	Yellow	B-2		Side sensor RH
AB19	2	Yellow	C-4		Pretensioner LH
AB20	2	Yellow	B-2		Pretensioner RH

Rear Wiring Harness, Bulkhead Wiring Harness, Roof Cord and Fuel Tank Cord

WIRING SYSTEM



WI-04531

Door Cord

WIRING SYSTEM

54. Door Cord

A: LOCATION

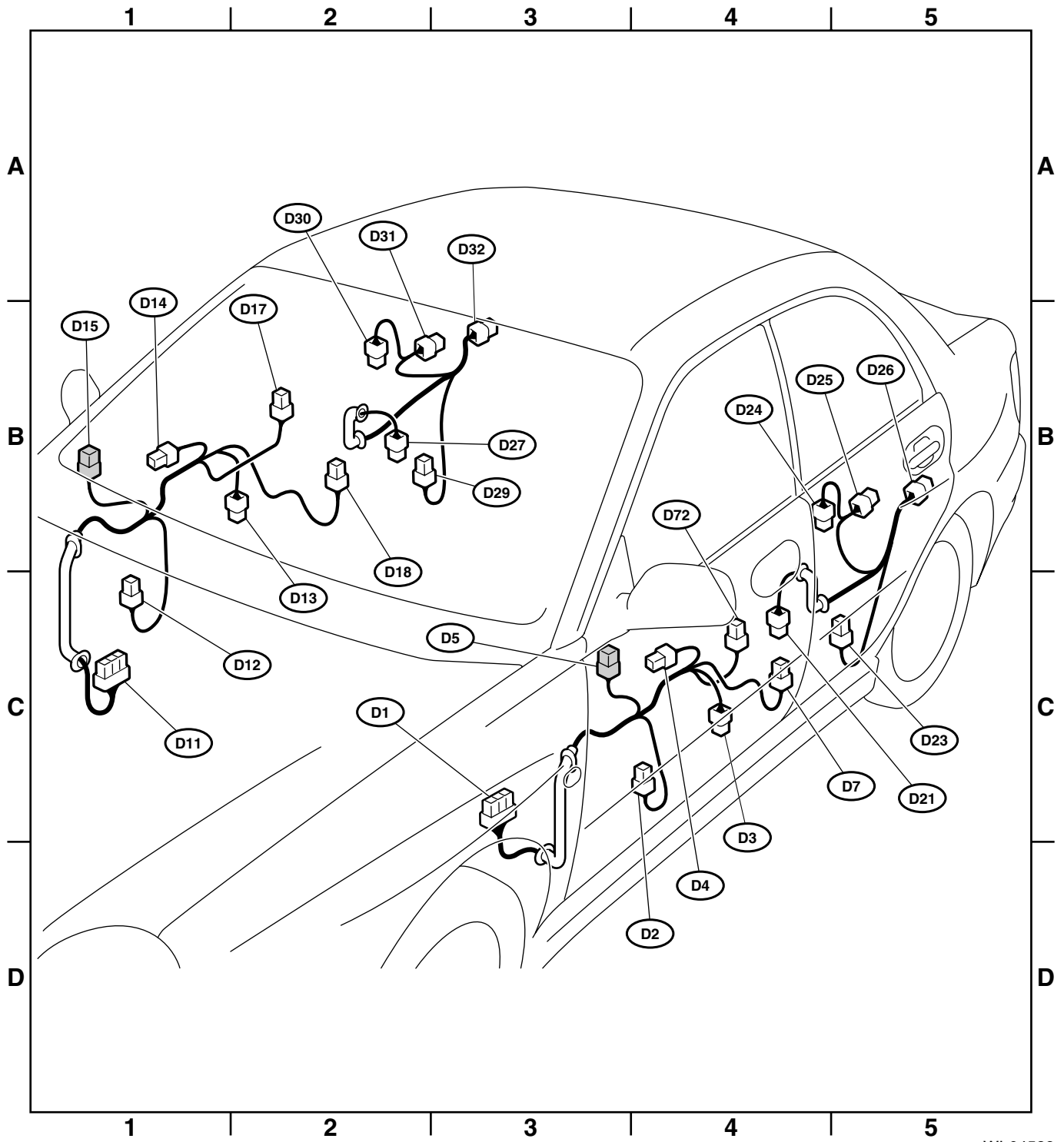
1. LHD MODEL

Connector				Connecting to	
No.	Pole	Color	Area	No.	Name
D1	25	★	C-3	B30	Bulkhead wiring harness
D2	2	★	C-4		Front door speaker (Driver side)
D3	2	Black	C-4		Front power window motor (Driver side)
D4	2	Black	C-4		Front door tweeter (Driver side)
D5	6	★	C-3		Remote control rearview mirror (Without mirror heater)
	8	Black	C-3		Remote control rearview mirror (With mirror heater)
D7	16	★	C-4		Power window main switch
D11	25	★	C-1	B101	Bulkhead wiring harness
D12	2	★	C-1		Front door speaker RH
D13	2	Black	B-2		Front power window motor RH
D14	2	★	B-1		Front door tweeter RH
D15	6	★	B-1		Remote control rearview mirror RH (Without mirror heater)
	8	Black	B-1		Remote control rearview mirror RH (With mirror heater)
D17	6	★	B-2		Front power window sub switch RH
D18	4	★	B-2		Front door lock actuator RH
D21	8	★	C-4	B269	Bulkhead wiring harness
D23	2	★	C-5		Rear door speaker LH
D24	2	Black	B-4		Rear power window motor LH
D25	8	★	B-5		Rear power window sub switch LH
D26	4	★	B-5		Rear door lock actuator LH
D27	8	★	B-2	B265	Bulkhead wiring harness
D29	2	★	B-2		Rear door speaker RH
D30	2	Black	B-2		Rear power window motor RH
D31	8	★	B-2		Rear power window sub switch RH
D32	4	★	B-3		Rear door lock actuator RH
D72	4	★	C-4		Front door lock actuator LH

★: Non-colored

Door Cord

WIRING SYSTEM



WI-04532

Door Cord

WIRING SYSTEM

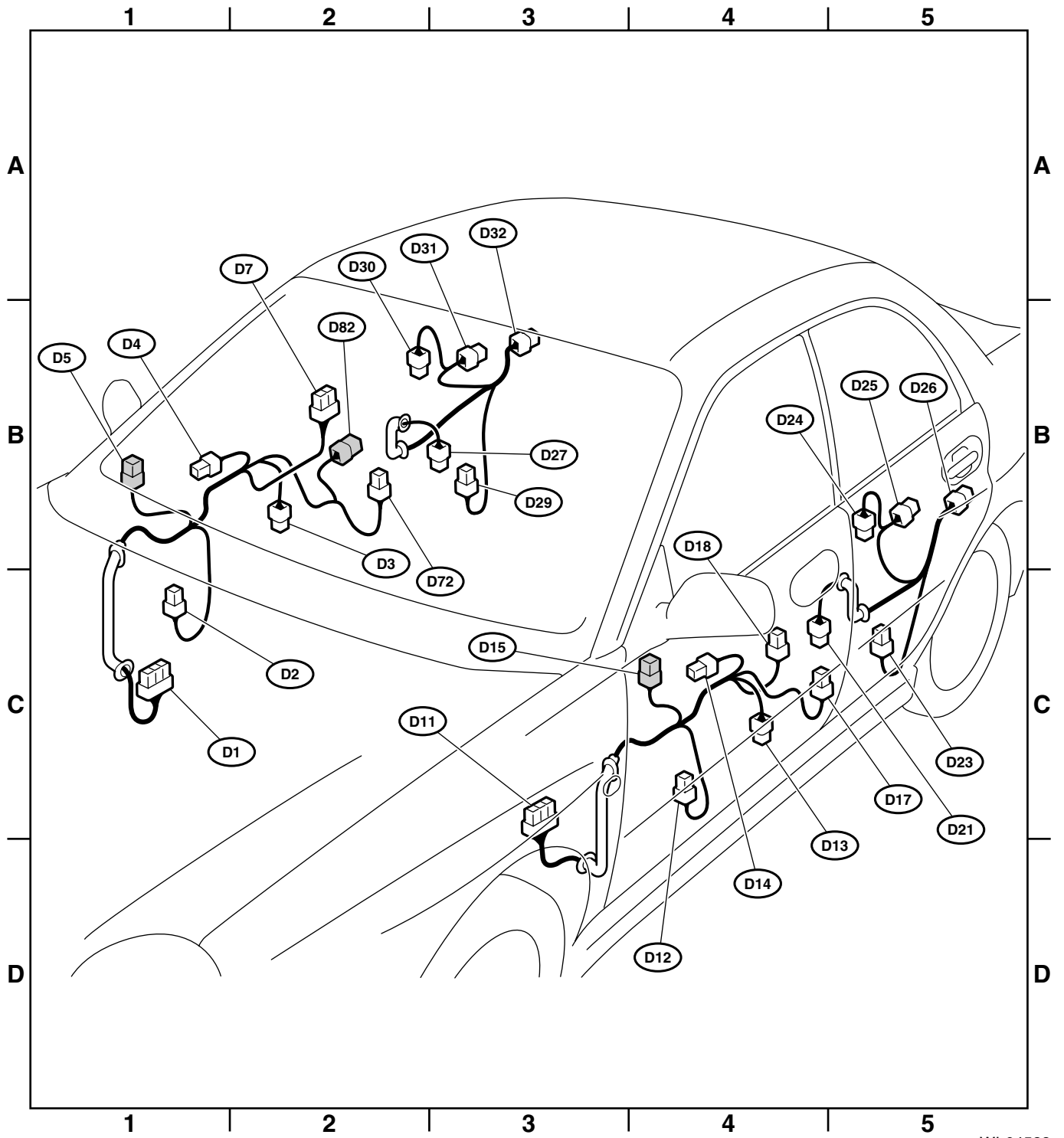
2. RHD MODEL

Connector				Connecting to		
No.	Pole	Color	Area	No.	Name	
D1	25	★	C-1	B30	Bulkhead wiring harness	
D2	2	★	C-1		Front door speaker (Driver side)	
D3	2	Black	B-2		Front power window motor (Driver side)	
D4	2	★	B-1		Front door tweeter (Driver side)	
D5	6	★	B-1		Remote control rearview mirror (Without mirror heater)	
	8	Black	B-1		Remote control rearview mirror (With mirror heater)	
D7	16	★	B-2		Power window main switch	
D11	25	★	C-3	B101	Bulkhead wiring harness	
D12	2	★	C-4		Front door speaker LH	
D13	2	Black	C-4		Front power window motor LH	
D14	2	★	C-4		Front door tweeter LH	
D15	6	★	C-4		Remote control rearview mirror LH (Without mirror heater)	
	8	Black	C-3		Remote control rearview mirror LH (With mirror heater)	
D17	8	★	C-4		Front power window sub switch LH	
D18	4	★	C-4		Front door lock actuator LH (Without double lock)	
	6	Black	C-4		Front door lock actuator LH (With double lock)	
D21	8	★	C-4		B269	Bulkhead wiring harness
D23	2	★	C-5	Rear door speaker LH		
D24	2	Black	B-5	Rear power window motor LH		
D25	8	★	B-5	Rear power window sub switch LH		
D26	4	★	B-5	Rear door lock actuator LH (Without double lock)		
	6	Black	B-5	Rear door lock actuator LH (With double lock)		
D27	8	★	B-2	B265	Bulkhead wiring harness	
D29	2	★	B-3		Rear door speaker RH	
D30	2	Black	B-2		Rear power window motor RH	
D31	8	★	B-3		Rear power window sub switch RH	
D32	4	★	B-3		Rear door lock actuator RH (Without double lock)	
	6	Black	B-3		Rear door lock actuator RH (With double lock)	
D72	4	★	B-2		Front door lock actuator RH (Without double lock)	
	6	Black	B-2		Front door lock actuator RH (With double lock)	
D82	3	Brown	B-2			Key cylinder switch

★: Non-colored

Door Cord

WIRING SYSTEM



WI-04533

Rear Wiring Harness and Trunk Lid Cord

WIRING SYSTEM

55.Rear Wiring Harness and Trunk Lid Cord

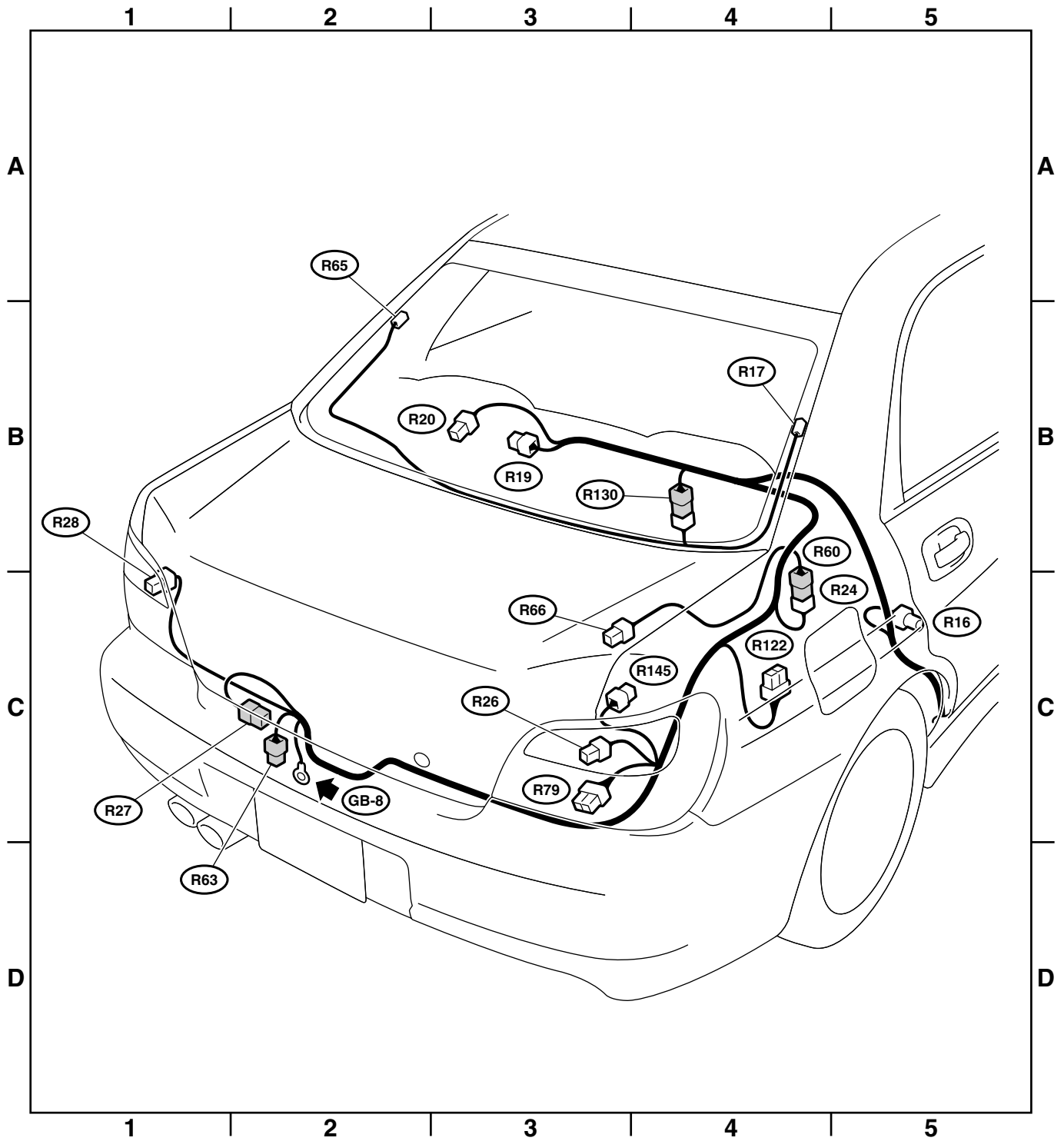
A: LOCATION

Connector				Connecting to	
No.	Pole	Color	Area	No.	Name
R16	3	★	C-5		Rear door switch RH
R17	1	Black	B-4		Rear defogger
R19	2	★	B-3		High-mounted stop light
R20	2	Black	B-3		Trunk room light
R24	2	★	C-4	R60	Trunk lid cord
R26	6	★	C-3		Rear combination light RH
R27	2	★	C-2		Trunk room light switch
R28	6	★	C-1		Rear combination light LH
R60	2	★	C-4	R24	Rear wiring harness
R63	2	Black	C-2		License plate light
R65	1	Black	B-2		Rear defogger
R66	2	Black	C-3		High-mounted stop light (Rear spoiler)
R79	10	★	C-3		Trailer connector
R122	10	Black	C-4		Fuel pump control module (Turbo Model)
R130	2	★	B-4		Rear defogger choke coil
R145	4	★	C-3		Intercooler water spray motor

★: Non-colored

Rear Wiring Harness and Trunk Lid Cord

WIRING SYSTEM



WI-02231

Rear Wiring Harness and Rear Gate Cord

WIRING SYSTEM

56. Rear Wiring Harness and Rear Gate Cord

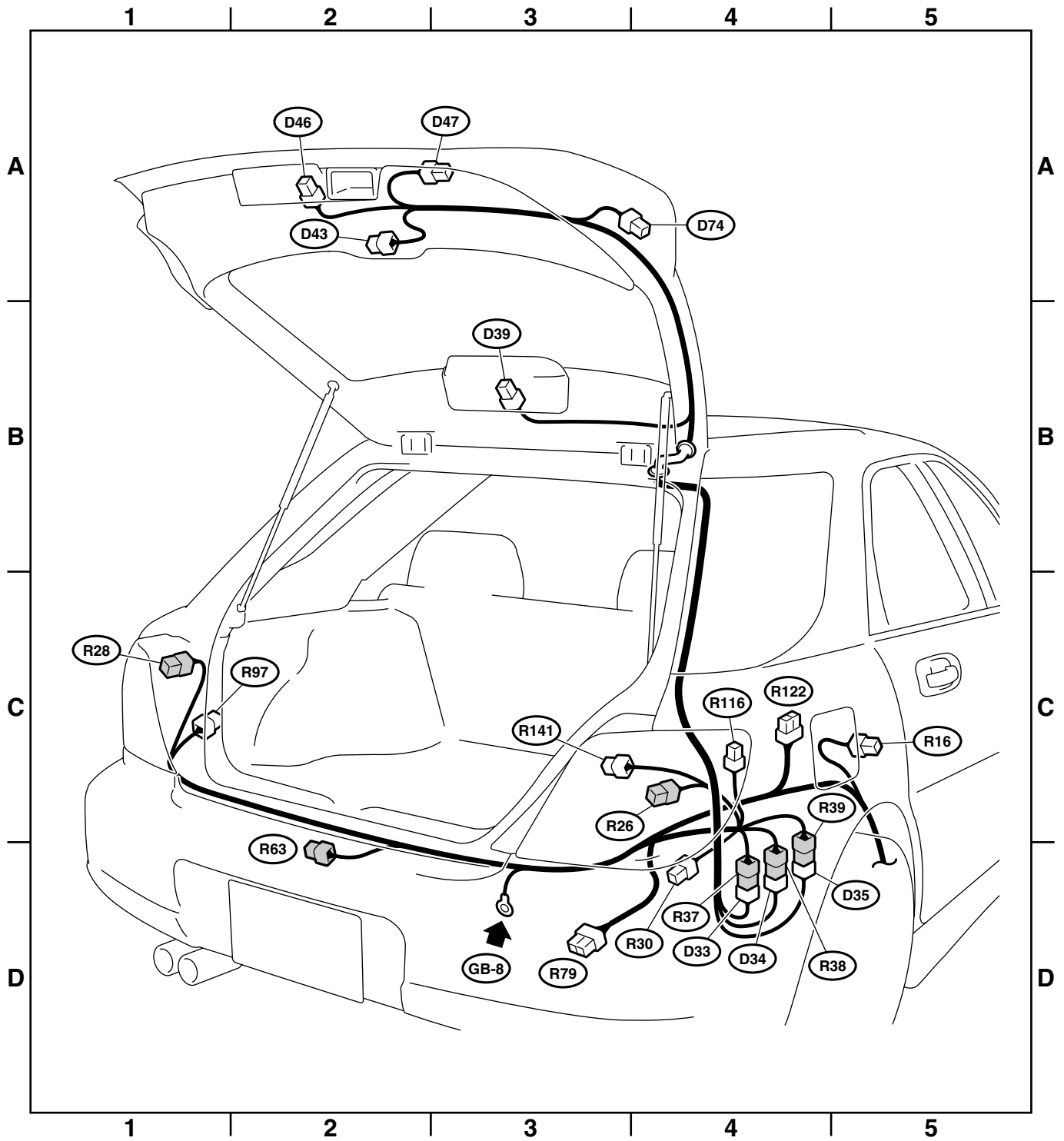
A: LOCATION

Connector				Connecting to	
No.	Pole	Color	Area	No.	Name
R16	3	★	C-5		Rear door switch RH
R26	6	★	C-4		Rear combination light RH
R28	6	★	C-1		Rear combination light LH
R30	2	★	D-4		Diode (Luggage room light)
R37	2	★	D-4	D33	Rear gate cord
R38	4	★	D-4	D34	Rear gate cord
R39	4	Blue	D-4	D35	Rear gate cord
R63	2	Black	D-2		License plate light
R79	10	★	D-3		Trailer connector
R97	2	★	C-1		Antenna amp.
R116	8	★	C-4		Rear wiper intermittent module
R122	10	Black	C-4		Fuel pump control module (Turbo Model)
R141	2	★	C-3		Luggage room light
★: Non-colored					

Connector				Connecting to	
No.	Pole	Color	Area	No.	Name
D33	2	★	D-4	R37	Rear wiring harness
D34	4	★	D-4	R38	Rear wiring harness
D35	4	Blue	D-4	R39	Rear wiring harness
D39	2	★	B-3		High-mounted stop light
D43	4	★	A-2		Rear wiper motor
D46	2	Black	A-2		Rear gate latch switch
D47	2	Blue	A-3		Rear gate lock actuator cord
D74	2	★	A-4		Rear defogger choke coil
★: Non-colored					

Rear Wiring Harness and Rear Gate Cord

WIRING SYSTEM



WI-02232

