

**WIRING SYSTEM SECTION**

**WIRING SYSTEM**

**WI**

This service manual has been prepared to provide SUBARU service personnel with the necessary information and data for the correct maintenance and repair of SUBARU vehicles.

This manual includes the procedures for maintenance, disassembling, reassembling, inspection and adjustment of components and diagnostics for guidance of experienced mechanics.

Please peruse and utilize this manual fully to ensure complete repair work for satisfying our customers by keeping their vehicle in optimum condition. When replacement of parts during repair work is needed, be sure to use SUBARU genuine parts.

All information, illustration and specifications contained in this manual are based on the latest product information available at the time of publication approval.

# WIRING SYSTEM



---

	<b>Page</b>
1. Basic Diagnostics Procedure .....	3
2. Working Precautions .....	14
3. Power Supply Routing.....	15
4. Ground Distribution .....	29
5. Airbag System.....	47
6. Air Conditioning System.....	53
7. Anti-lock Brake System .....	65
8. AT Control System .....	71
9. Audio System .....	83
10. Charging System.....	87
11. Combination Meter.....	89
12. Cruise Control System .....	97
13. Engine Coolant Temperature Gauge System .....	100
14. Engine Electrical System .....	102
15. Fuel Gauge System .....	177
16. Full-Time Dual-Range System .....	179
17. Front Accessory Power Supply System.....	181
18. Headlight Beam Leveler System.....	182
19. Horn System .....	183
20. Immobilizer System.....	184
21. Keyless Entry System .....	188
22. Back-up Light System .....	197
23. Clearance Light and Illumination Light System .....	198
24. Front Fog Light System.....	210
25. Headlight System .....	213
26. In Compartment Light System.....	215
27. Stop Light System .....	219
28. Turn Signal Light and Hazard Light System.....	220
29. Oil Pressure Warning Light System .....	224
30. Outside Temperature Display System .....	226
31. Parking Brake and Brake Fluid Level Warning System .....	228
32. Power Window System .....	230
33. Radiator Fan System .....	238
34. Rear Fog Light System .....	240
35. Rear Window Defogger System.....	242
36. Remote Controlled Rearview Mirror System.....	244
37. Seat Belt Warning System .....	246
38. Seat Heater System .....	250
39. Security System .....	251
40. Starter System .....	253
41. Sunroof System.....	255
42. Wiper and Washer System (Front).....	256
43. Wiper and Washer System (Rear) .....	258

44.	Intercooler Water Spray System .....	260
45.	Driver's Control Center Differential Control System .....	262
46.	Rear Differential Oil Temperature Warning Light System .....	266
47.	Harness Components Location .....	268
48.	Front Wiring Harness .....	270
49.	Bulkhead Wiring Harness (In Engine Room) .....	274
50.	Bulkhead Wiring Harness (In Compartment) .....	282
51.	Engine Wiring Harness and Transmission Cord .....	288
52.	Instrument Panel Wiring Harness .....	294
53.	Rear Wiring Harness, Bulkhead Wiring Harness, Roof Cord and Fuel Tank Cord .....	298
54.	Door Cord .....	304
55.	Rear Wiring Harness and Trunk Lid Cord .....	308
56.	Rear Wiring Harness and Rear Gate Cord .....	310

## 1. Basic Diagnostics Procedure

### A: BASIC PROCEDURES

#### 1. GENERAL

The most important purpose of diagnostics is to determine which part is malfunctioning quickly, to save time and labor.

#### 2. IDENTIFICATION OF TROUBLE SYMPTOM

Determine what the problem is based on symptom.

#### 3. PROBABLE CAUSE OF TROUBLE

Look at the wiring diagram and check system's circuit. Then check the switch, relay, fuse, ground, etc.

#### 4. LOCATION AND REPAIR OF TROUBLE

- 1) Using the diagnostics narrow down the causes.
- 2) If necessary, use a voltmeter, ohmmeter, etc.
- 3) Before replacing certain component parts (switch, relay, etc.), check the power supply, ground, for open wiring harness, poor connectors, etc. If no problems are encountered, check the component parts.

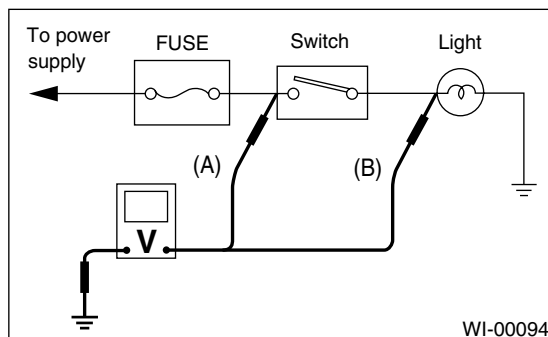
#### 5. CONFIRMATION OF SYSTEM OPERATION

After repairing, ensure that the system operates properly.

### B: BASIC INSPECTION

#### 1. VOLTAGE MEASUREMENT

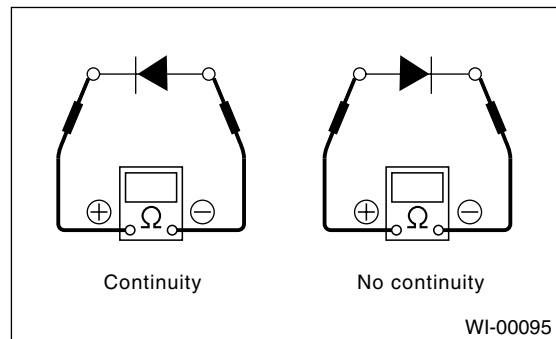
- 1) Using a voltmeter, connect the negative lead to a good ground point or negative battery terminal and the positive lead to the connector or component terminal.
- 2) Contact the positive probe of the voltmeter on connector (A).
- The voltmeter will indicate a voltage.
- 3) Shift the positive probe to connector (B). The voltmeter will indicate no voltage.



- 4) With test set-up held as it is, turn the switch ON. The voltmeter will indicate a voltage and, at the same time, the light will come on.
- 5) The circuit is in good order. If a problem such as a lamp failing to light occurs, use the procedures outlined above to track down malfunction.

#### 2. CIRCUIT CONTINUITY CHECKS

- 1) Disconnect the battery cable or connector so there is no voltage between check points. Contact the two leads of an ohmmeter to each of the check points. If the circuit has diodes, reverse the two leads and check again.
- 2) Use an ohmmeter to check for the diode continuity. When contacting the negative lead to diode positive side and positive lead to negative side, there should be continuity. When contacting the two leads in reverse, there should be no continuity.



- 3) Symbol "○—○" indicates that continuity exists between two points or terminals. For example, when a switch position is "3", continuity exists among terminals 1, 3 and 6, as shown in table below.

Terminal	1	2	3	4	5	6
Switch Position						
OFF						
1	○—○				○—○	
2	○—○			○—○		○—○
3	○—○		○—○			○—○
4	○—○	○—○				○—○

WI-00096

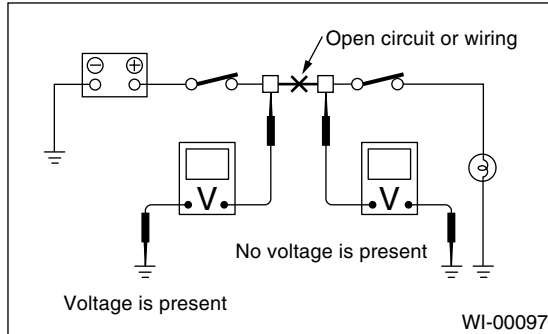
# Basic Diagnostics Procedure

## WIRING SYSTEM

### 3. HOW TO DETERMINE AN OPEN CIRCUIT

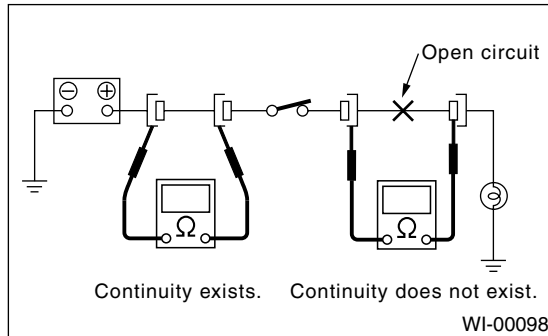
#### 1) Voltmeter Method:

An open circuit is determined by measuring the voltage between respective connectors and ground using a voltmeter, starting with the connector closest to power supply. The power supply must be turned ON so that current flows in the circuit. If voltage is not present between a particular connector and ground, the circuit between that connector and previous connector is open.



#### 2) Ohmmeter method:

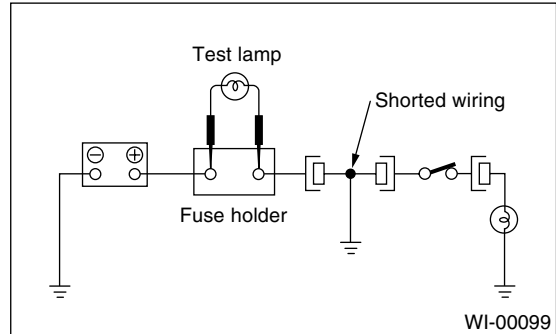
Disconnect all connectors affected, and check the continuity in wiring between adjacent connectors. When the ohmmeter indicates "infinite", the wiring is open.



### 4. HOW TO DETERMINE A SHORT CIRCUIT

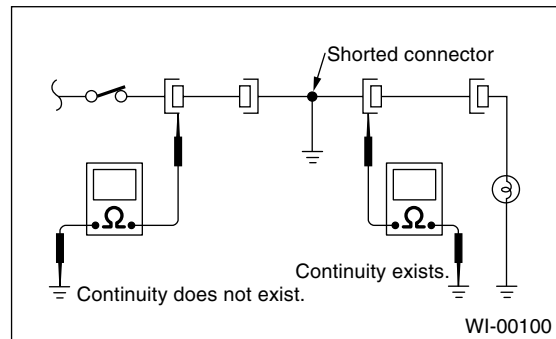
#### 1) Test lamp method:

Connect a test lamp (rated at approx. 3 watts) in place of the blown fuse and allow current to flow through the circuit. Disconnect one connector at a time from the circuit, starting with the one located farthest from power supply. If the test lamp goes out when a connector is disconnected, the wiring between that connection and next connector (farther from the power supply) is shorted.



#### 2) Ohmmeter method:

Disconnect all affected connectors, and check the continuity between each connector and ground. When the ohmmeter indicates continuity between a particular connector and ground, that the connector is shorted.



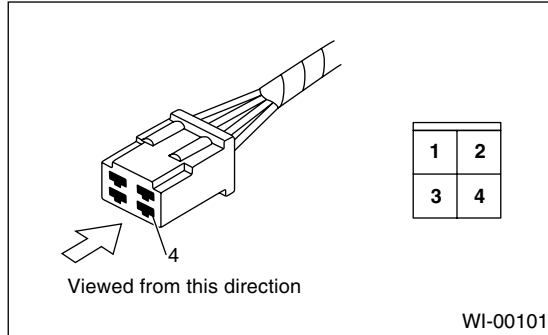
## C: HOW TO READ WIRING DIAGRAMS

### 1. WIRING DIAGRAM

The wiring diagram of each system is illustrated so that you can understand the path through which electric current flows from battery.

Sketches and codes are used in the diagrams. They should read as follows:

- Each connector and its terminal position are indicated by a sketch of the connector in a disconnected state which is viewed from front.



- The number of poles or pins, presence of a lock, and pin number of each terminal are indicated in the sketch of each connector. In the sketch, the highest pole number refers to the number of poles which connector has. For example, the sketch of connector shown in the figure indicates the connector has 9 poles.

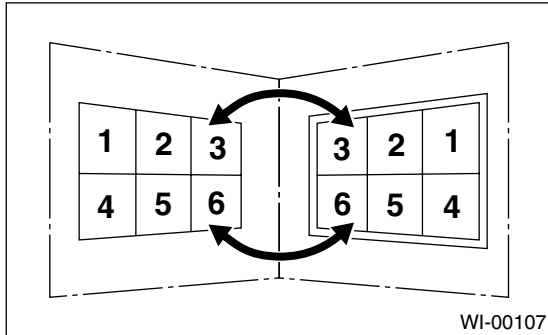
Connector used in vehicle	Connector shown in wiring diagram		
	Sketch	Symbol	Number of poles
	<p>Double frames</p> <p>Indicates a lock is included.</p> <p>Indicates the number of poles.</p>		<p>Numbered in order from upper right to lower left.</p>
	<p>Indicates a lock is included.</p> <p>Single frame</p>		<p>Numbered in order from upper left to lower right</p>

WI-00102

# Basic Diagnostics Procedure

## WIRING SYSTEM

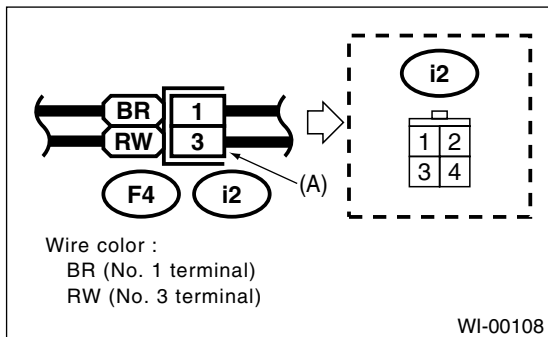
- When one set of connectors is viewed from the front side, the pole numbers of one connector are symmetrical to those of other. When these two connectors are connected as a unit, the poles which have the same number are joined.



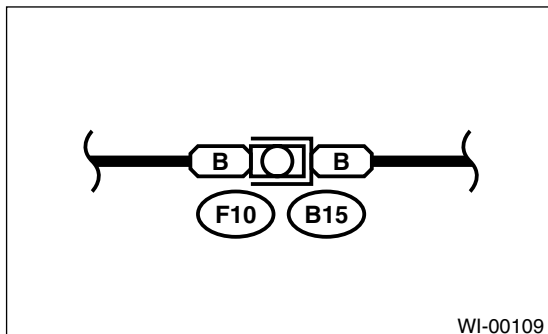
- Electrical wiring harness:**  
The connectors are numbered along with the number of poles, external colors, and mating connections in accompanying list.
- The sketch of each connector in the wiring diagram usually shows (A) side of the connector. The relationship between wire color, terminal number and connector is described in figure.

**NOTE:**

A wire which runs in one direction from a connector terminal sometimes may have a different color from that which runs in the other direction from that terminal.

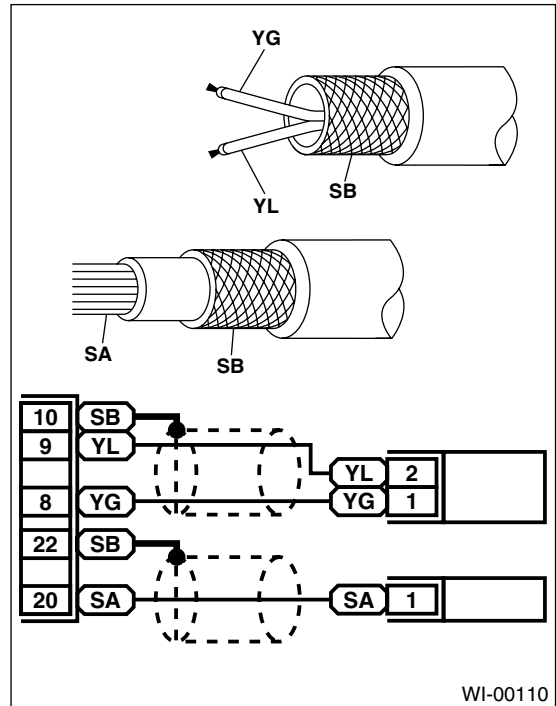


- In wiring diagram, connectors which have no terminal number refer to one-pole types. Sketches of these connectors are omitted intentionally.

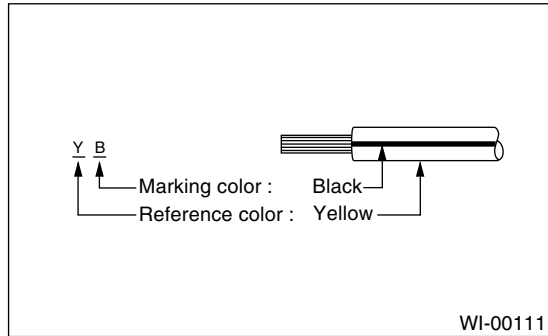


- The following color codes are used to indicate the colors of the wires used.

Color code	Color
L	Blue
B	Black
Y	Yellow
G	Green
R	Red
W	White
Br	Brown
Lg	Light green
Gr	Gray
P	Pink
Or	Orange
Lb	Light Blue
V	Violet
SA	Sealed (Inner)
SB	Sealed (Outer)



- The wire color code, which consists of two letters (or three letters including Br or Lg), indicates the standard color (base color of the wire covering) by its first letter and stripe marking by its second letter.



- The table lists the nominal sectional areas and allowable currents of wires.

### CAUTION:

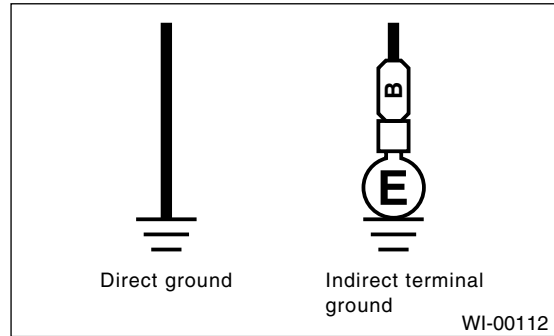
**When replacing or repairing a wire, be sure to use the same size and type of wire which was originally used.**

### NOTE:

- The allowable current in the table indicates tolerable amperage of each wire at an ambient temperature of 40°C (104°F).
- The allowable current changes with ambient temperature. Also, it changes if a bundle of more than two wires is used.

Nominal sectional area mm <sup>2</sup>	No. of strands/ strand diameter	Outside diameter of finished wiring mm	Allowable current Amps/ 40°C (104°F)
0.3	7/0.26	1.8	7
0.5	7/0.32	2.2 (or 2.0)	12
0.75	30/0.18	2.6 (or 2.4)	16
0.85	11/0.32	2.4 (or 2.2)	16
1.25	16/0.32	2.7 (or 2.5)	21
2	26/0.32	3.1 (or 2.9)	28
3	41/0.32	3.8 (or 3.6)	38
5	65/0.32	4.6 (or 4.4)	51
8	50/0.45	5.5	67

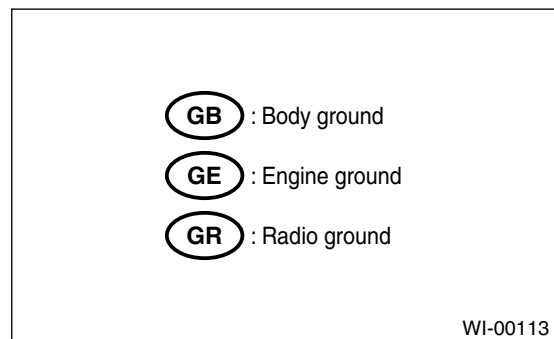
- Each unit is directly grounded to the body or indirectly grounds through a harness ground terminal. Different symbols are used in the wiring diagram to identify the two grounding systems.



- The ground points shown in the wiring diagram refer to the following:

### NOTE:

All wiring harnesses are provided with a ground point which should be securely connected.



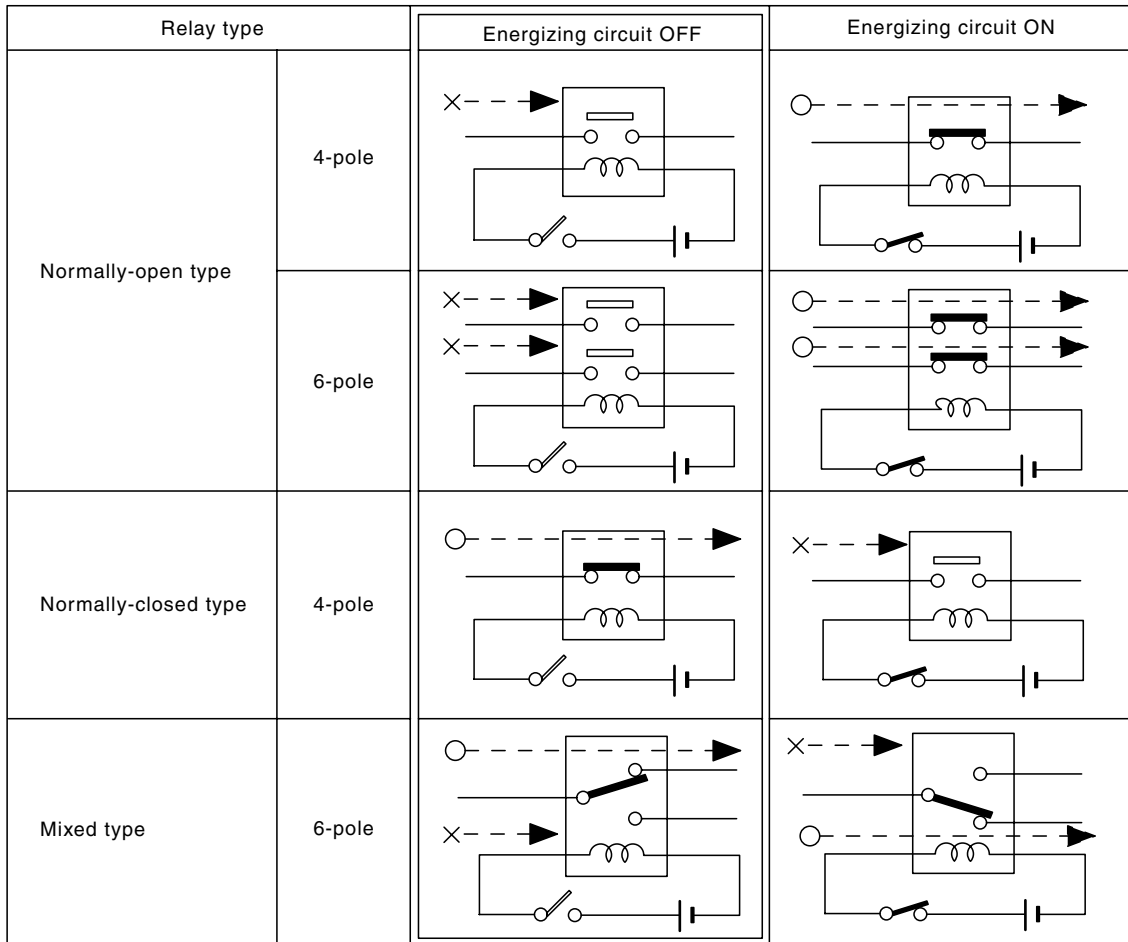
- Relays are classified as normally-open or normally-closed. The normally-closed relay has one or more contacts.



# Basic Diagnostics Procedure

## WIRING SYSTEM

The wiring diagram shows the relay mode when energizing circuit is OFF.



Key to symbols:

○ —▶ : Current flows.

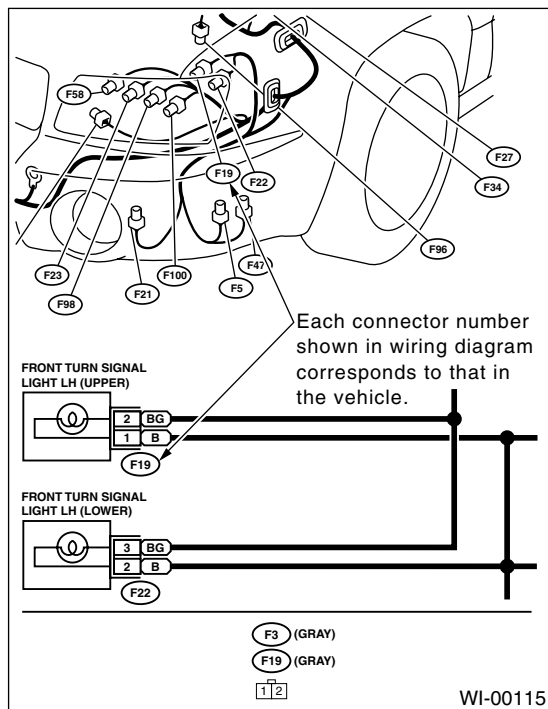
× —▶ : Current does not flow.

WI-00114

- Each connector number shown in the wiring diagram corresponds to that in wiring harness. The location of each connector in actual vehicle is determined by reading the first character of the connector (for example, a “F” for F8, “I” for i16, etc.) and type of wiring harness.

The first character of each connector number refers to the area or system of the vehicle.

Symbol	Wiring harness and cord
F	Front wiring harness
B	Bulkhead wiring harness
E	Engine wiring harness
T	Transmission cord, Rear oxygen sensor cord
D	Door cord LH & RH, Rear door cord LH & RH, Rear gate cord
i	Instrument panel wiring harness
R	Rear wiring harness, Fuel tank cord, Roof cord, Trunk lid cord
AB	Airbag wiring harness

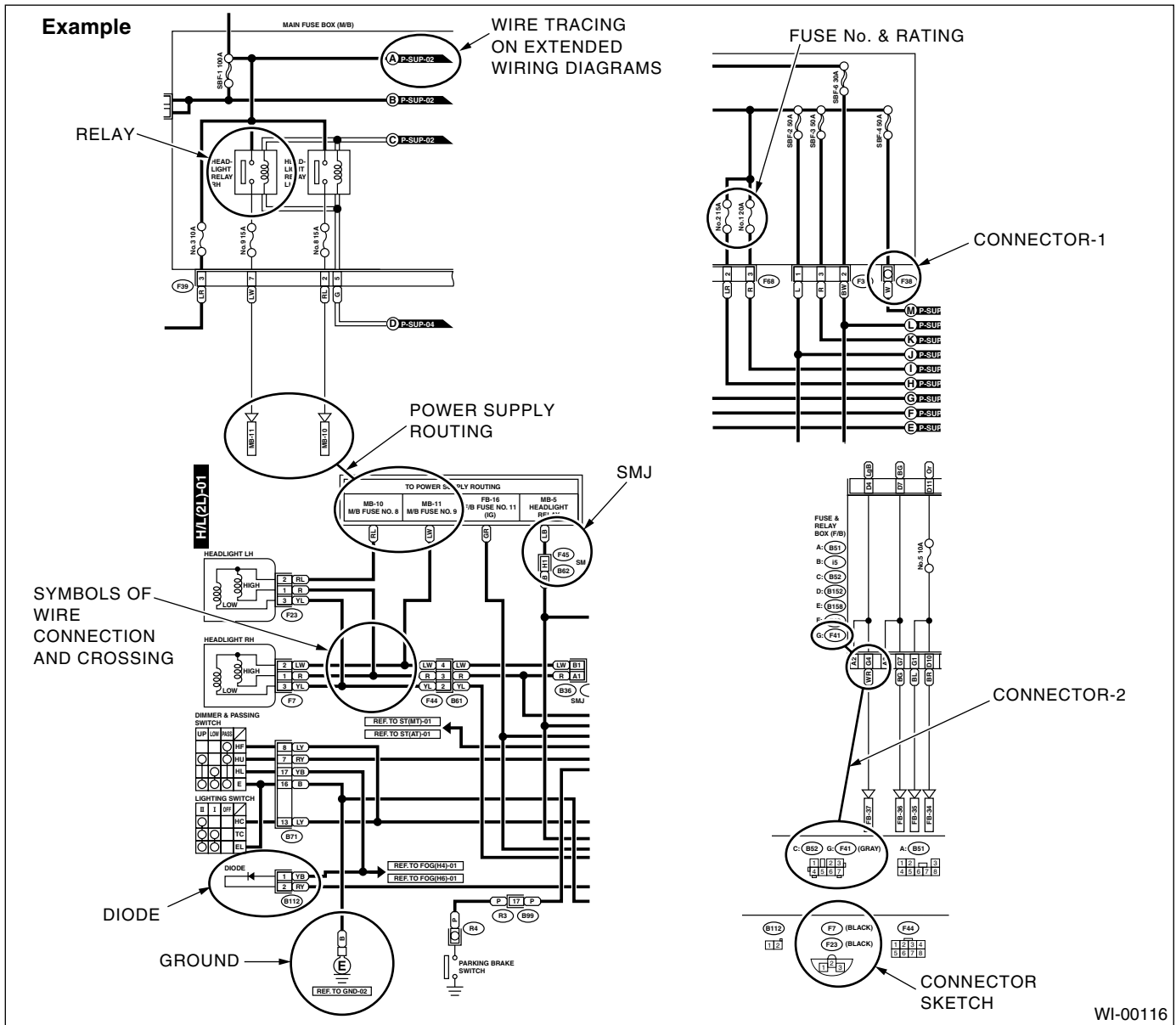


# Basic Diagnostics Procedure

## WIRING SYSTEM

### D: SYMBOLS IN WIRING DIAGRAMS

A number of symbols are used in each wiring diagram to easily identify parts or circuits.



## 1. RELAY

A symbol used to indicate a relay.

## 2. CONNECTOR-1

The sketch of the connector indicates one-pole types.

## 3. WIRING CONNECTION

Some wiring diagrams are indicated in foldouts for convenience. Wiring destinations are indicated where necessary by corresponding symbols (as when two pages are needed for clear indication).

## 4. FUSE No. & RATING

The "FUSE No. & RATING" corresponds with that used in fuse box (main fuse box, fuse and joint box).

## 5. CONNECTOR-2

- Each connector is indicated by a symbol.
- Each terminal number is indicated in the corresponding wiring diagram in an abbreviated form.
- For example, terminal number "G4" refers to No. 4 terminal of connector (G: F41) shown in the connector sketch.

## 6. CONNECTOR SKETCH

- Each connector sketch clearly identifies the shape and color of a connector as well as terminal locations. Non-colored connectors are indicated in natural color.
- When more than two types of connector number are indicated in a connector sketch, it means that the same type connectors are used.

## 7. GROUND

Each grounding point can be located easily by referring to the corresponding wiring harness.

## 8. DIODE

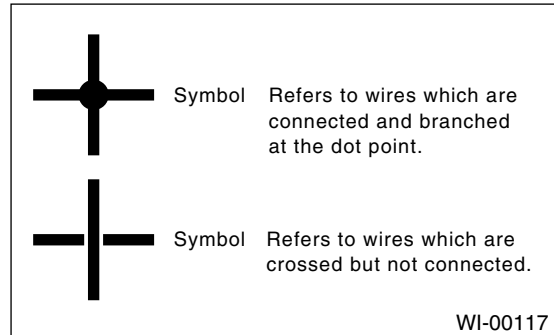
A symbol is used to indicate a diode.

## 9. WIRE TRACING ON EXTENDED WIRING DIAGRAMS

For a wiring diagram extending over at least two pages, a symbol (consisting of the same characters with arrows), facilitates wire tracing from one page to the next.

A  $\longleftrightarrow$  A, B  $\longleftrightarrow$  B

## 10. SYMBOLS OF WIRE CONNECTION AND CROSSING



## 11. POWER SUPPLY ROUTING

A symbol is used to indicate the power supply in each wiring diagram.

"MB-5", "MB-6", etc., which are used as power-supply symbols throughout the text, correspond with those shown in POWER SUPPLY ROUTING in the wiring diagram.

Accordingly, using the POWER SUPPLY ROUTING and wiring diagrams permits service personnel to understand the entire electrical arrangement of a system.

## 12. CLASSIFICATION BY SPECIFICATION

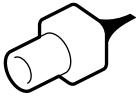
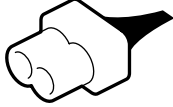




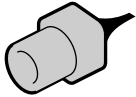
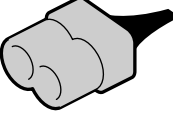
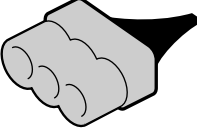
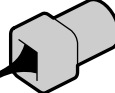

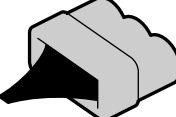
When the wiring diagrams differ according to vehicle specifications, the specification difference is described by using abbreviations.

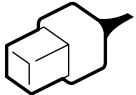
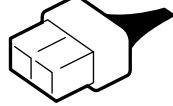
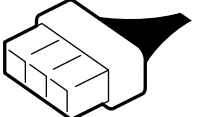

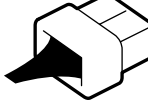
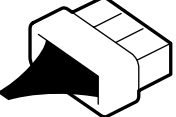
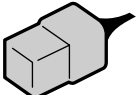
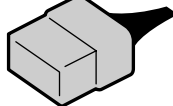
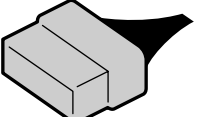
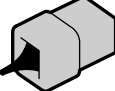

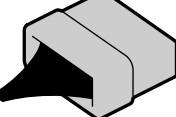
# Basic Diagnostics Procedure

WIRING SYSTEM

## E: CONNECTOR SYMBOL IN WIRING HARNESS

Main symbols of connector (in wiring harness) are indicated in below.

<b>Water proof type</b>	<b>Female</b>		
	Pole: From 1 to 8	Pole: From 9 to 20	Pole: More than 21
			
			
	<b>Male</b>		
			
			

<b>Standard type</b>	<b>Female</b>		
	Pole: From 1 to 8	Pole: From 9 to 20	Pole: More than 21
			
			
	<b>Male</b>		
			
			

WI-02445

**F: ABBREVIATION IN WIRING DIAGRAMS**

Abbreviation	Full name
ABS	Antilock Brake System
ACC	Accessory
A/C	Air Conditioning
AD	Auto Down
AT	Automatic Transmission
AU	Auto Up
+B	Battery
DCCD	Driver's Control Center Differential
DIFF	Differential
DN	Down
E	Ground
F/B	Fuse & Joint Box
FL1.5	Fusible link 1.5 mm <sup>2</sup>
IG	Ignition
Illumi.	Illumination
LH	Left Hand
Lo	Low
M	Motor
M/B	Main Fuse Box
MG	Magnet
Mi	Middle
OP	Optional Parts
PASS	Passing
RH	Right Hand
SBF	Slow Blow Fuse
ST	Starter
SW	Switch
UP	Up
WASH	Washer

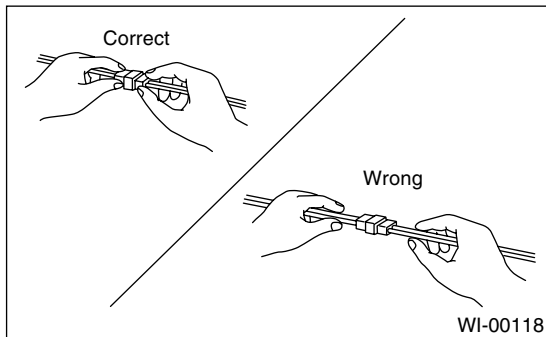
## 2. Working Precautions

### A: PRECAUTIONS WHEN WORKING WITH THE PARTS MOUNTED ON THE VEHICLE

- 1) When working under a vehicle which is jacked-up, always be sure to use safety stands.
- 2) The parking brake must always be applied during working. Also, in automatic transmission models, keep the select lever set to P (Parking) range.
- 3) Be sure the workshop is properly ventilated when running the engine. Further, be careful not to touch the belt or fan while the engine is operating.
- 4) Be careful not to touch hot metal parts, especially the radiator and exhaust system immediately after the engine has been shut off.

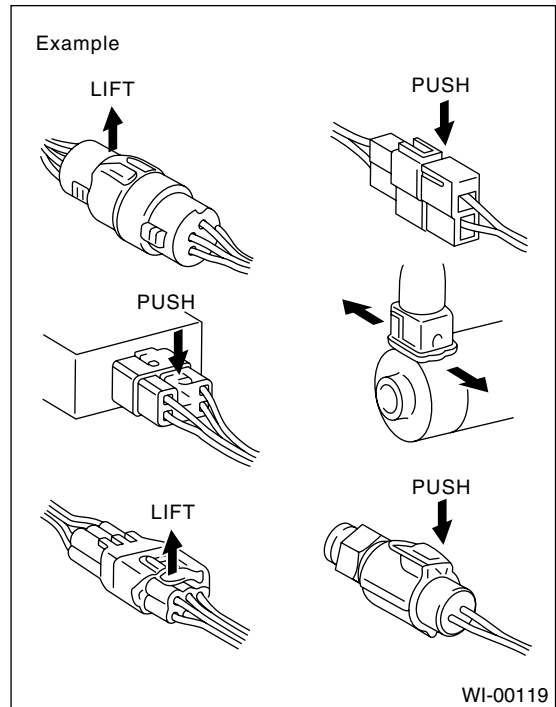
### B: PRECAUTIONS IN TROUBLE DIAGNOSIS AND REPAIR OF ELECTRIC PARTS

- 1) The battery cable must be disconnected from battery's (-) terminal, and the ignition switch must be set to OFF position, unless otherwise required by the diagnostics.
- 2) Securely fasten the wiring harness with clamps and slips so that the harness does not interfere with body end parts or edges and bolts or screws.
- 3) When installing the parts, be careful not to catch them on the wiring harness.
- 4) When disconnecting a connector, do not pull the wires, but pull while holding the connector body.



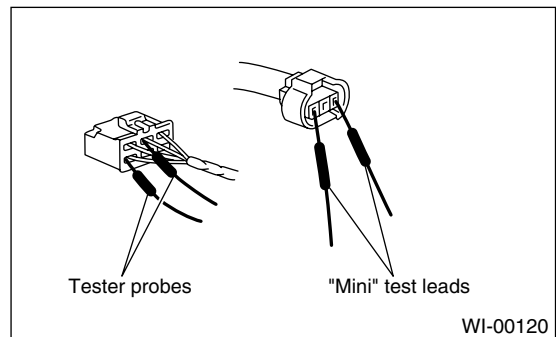
- 5) Some connectors are provided with a lock. One type of such a connector is disconnected by pushing the lock, and the other, by moving the lock up. In either type the lock shape must be identified before attempting to disconnect the connector.

To connect, insert the connector until it snaps and confirm that it is tightly connected.



- 6) When checking continuity between connector terminals, or measuring the voltage across the terminal and ground, always contact tester probe(s) on terminals from the wiring connection side. If the probe is too thick to gain access to the terminal, use "mini" test leads.

To check water-proof connectors (which are not accessible from the wiring side), contact test probes on the terminal side being careful not to bend or damage terminals.



- 7) Sensors, relays, electrical unit, etc., are sensitive to strong impacts. Handle them with care so that they are not dropped or mishandled.

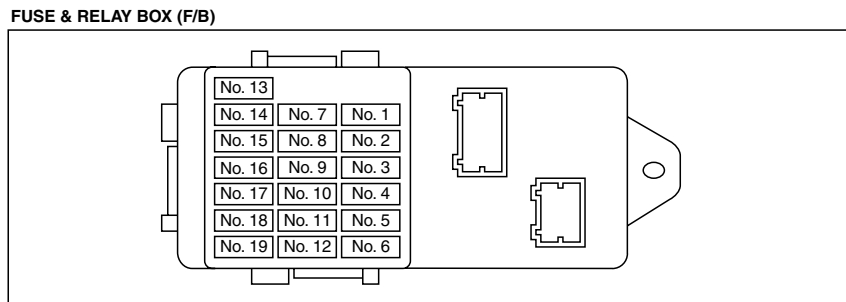
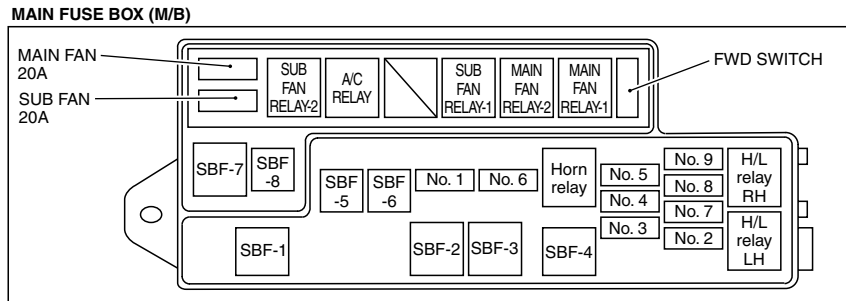
## 3. Power Supply Routing

### A: WIRING DIAGRAM

#### 1. LHD MODEL

P-SUP(L)-01

P-SUP(L)-01



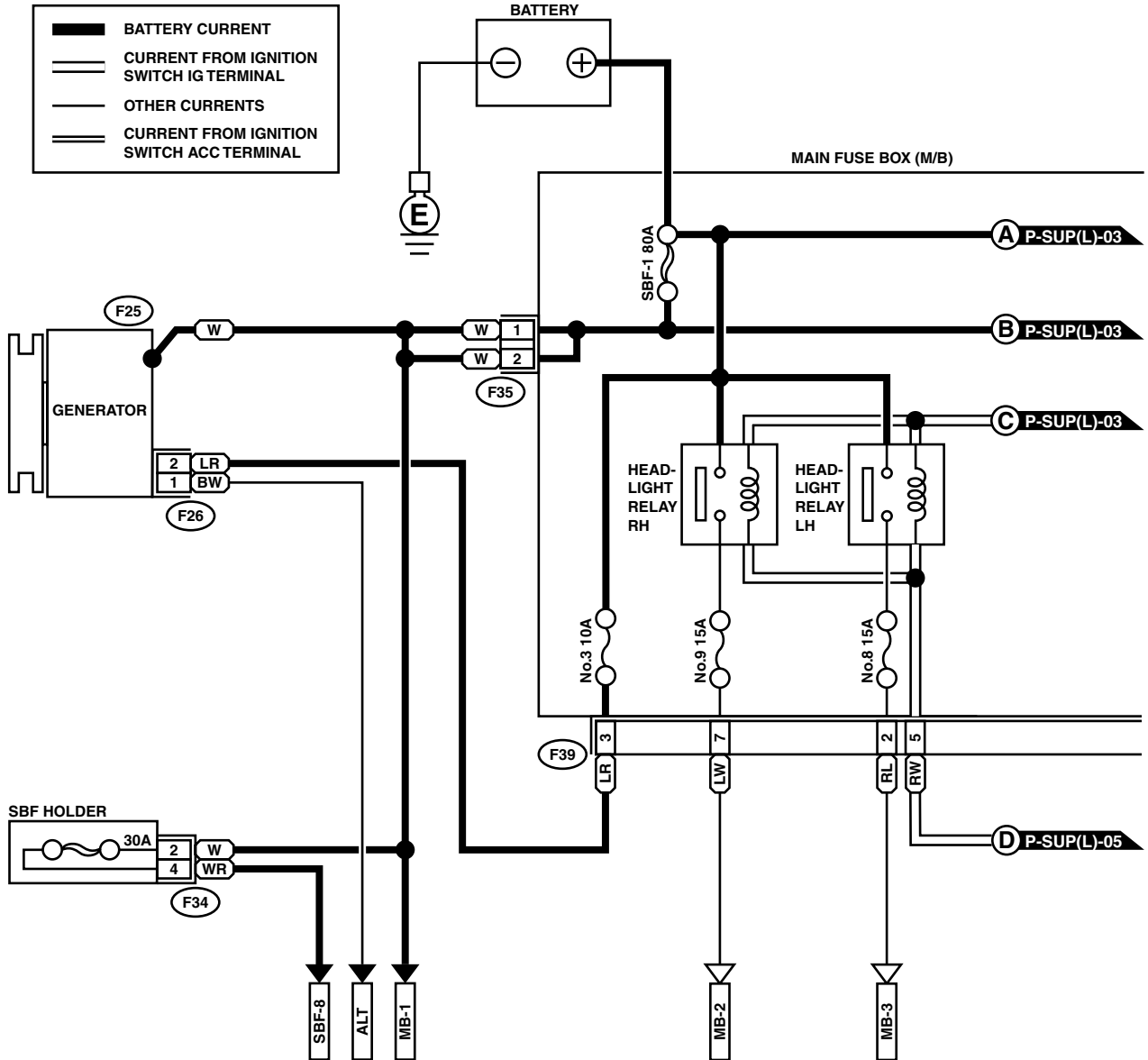
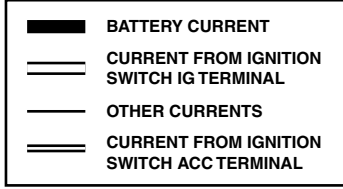


# Power Supply Routing

WIRING SYSTEM

P-SUP(L)-02

P-SUP(L)-02



F35 (BLACK)



F26 (GREEN)



F34 (BLACK)



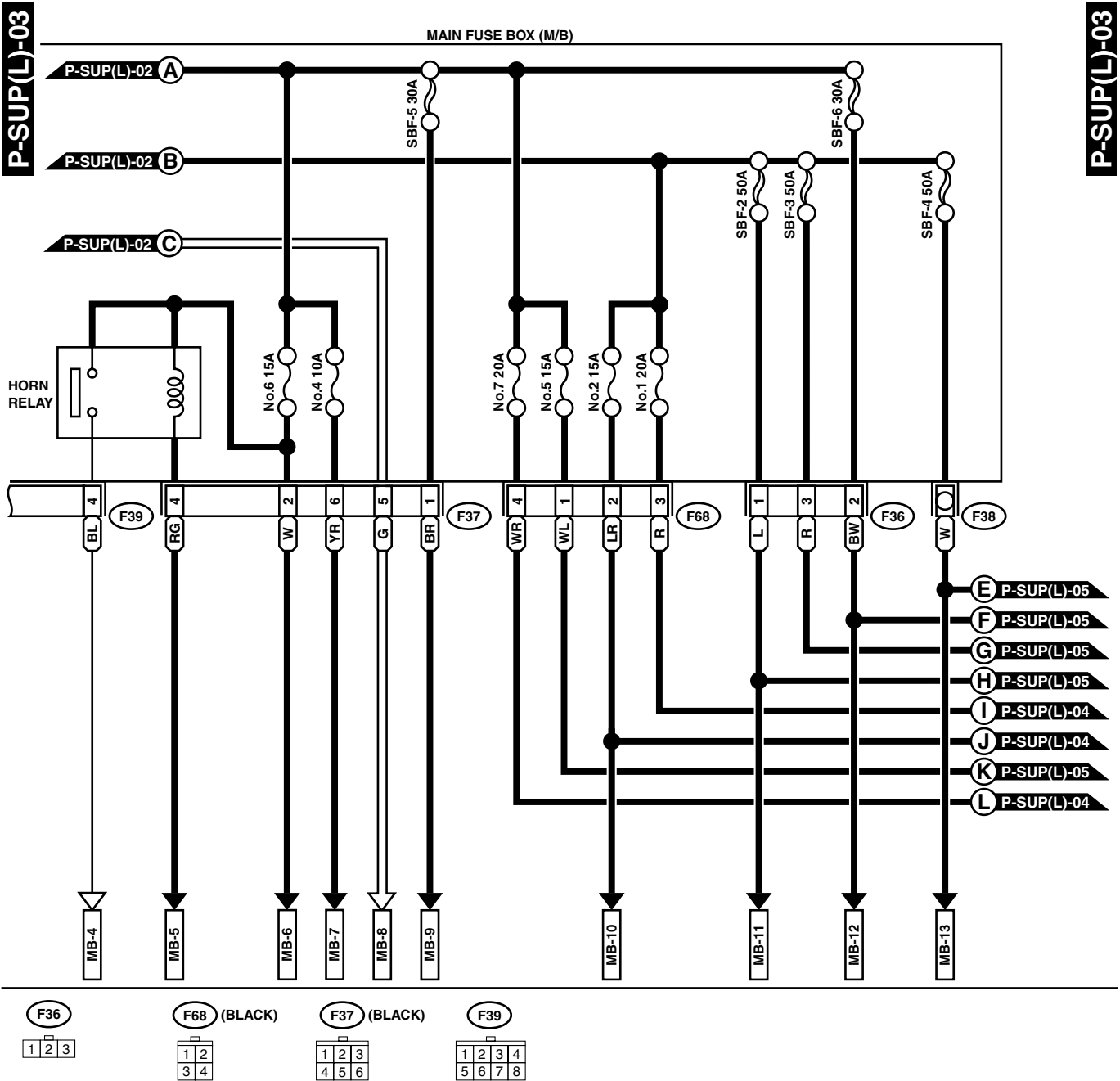
F39 (BLACK)



WI-02234

# Power Supply Routing

WIRING SYSTEM



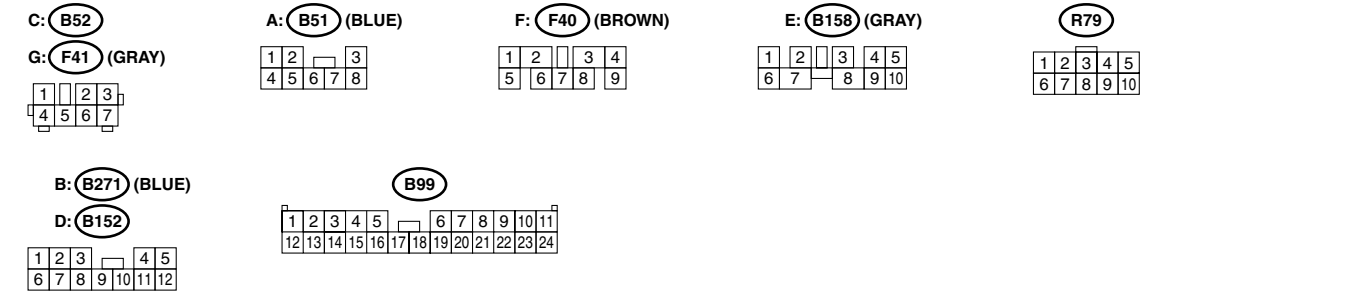
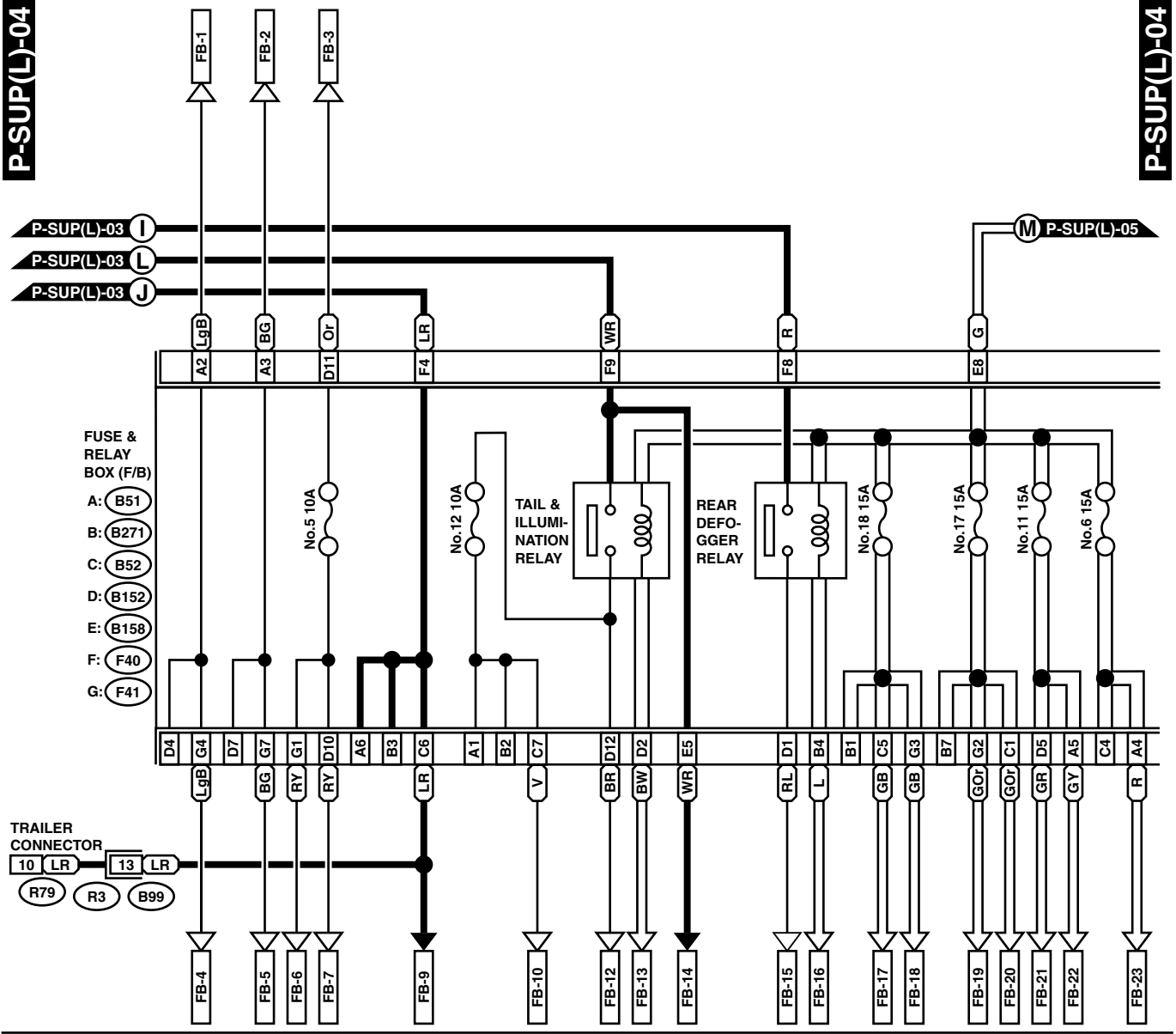
WI-04535

# Power Supply Routing

WIRING SYSTEM

P-SUP(L)-04

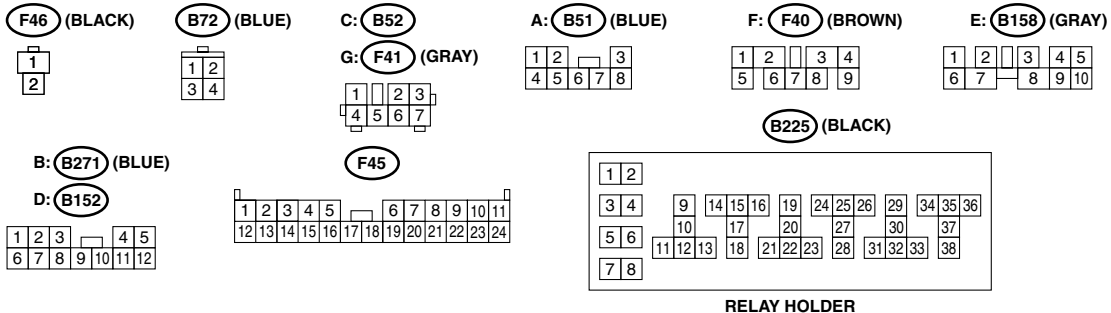
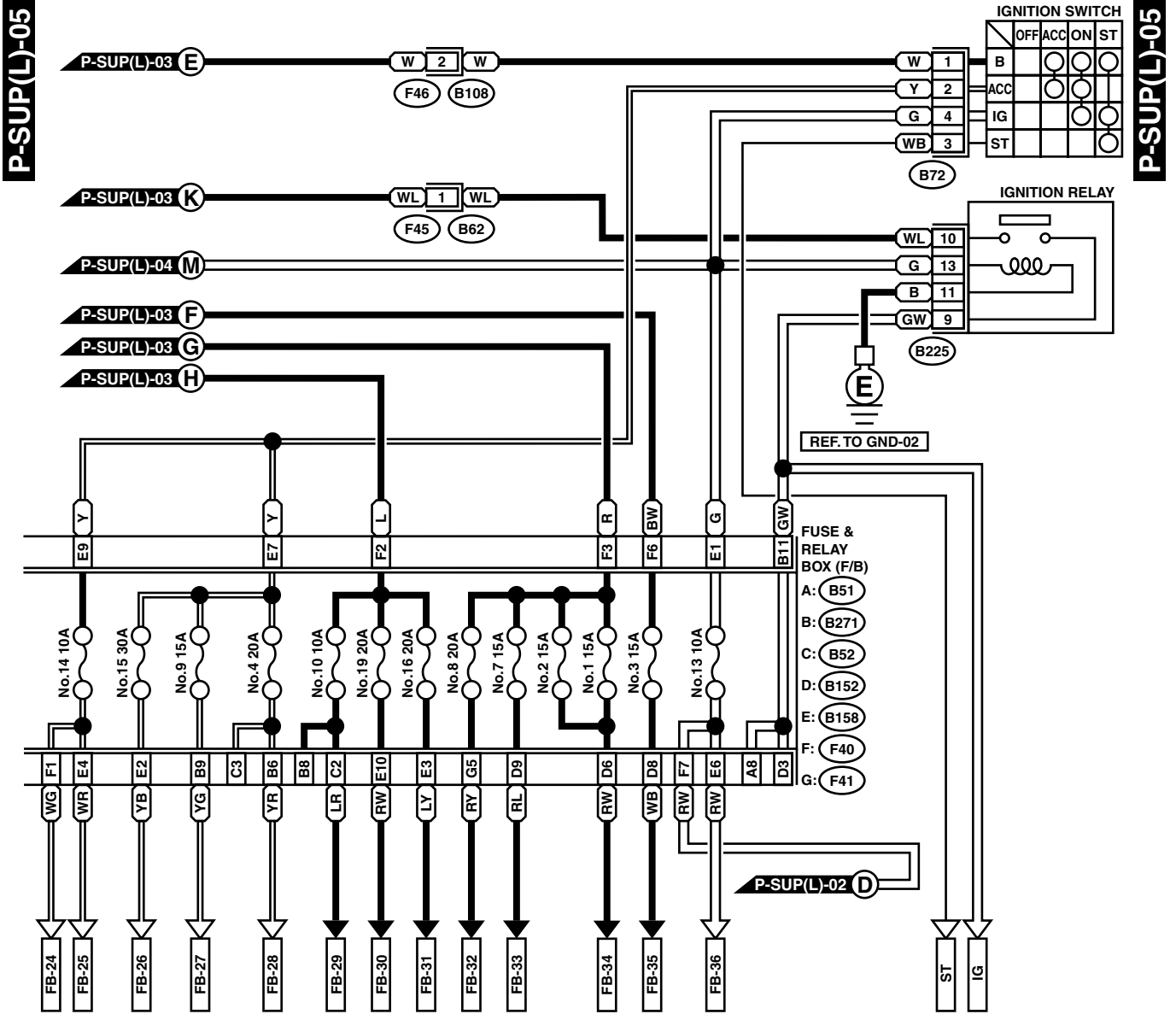
P-SUP(L)-04



WI-02236

# Power Supply Routing

WIRING SYSTEM



WI-04431

# Power Supply Routing

## WIRING SYSTEM

No.	Load
MB-1	Air conditioning relay holder
MB-2	Combination meter Headlight RH
MB-3	Headlight LH
MB-4	Horn
MB-5	Cruise control sub switch Horn switch
MB-6	Hazard switch Key warning switch
MB-7	Driver's control center differential control module Driver's control center differential relay Transmission control module
MB-8	Diode (With rear fog light model) Lighting switch
MB-9	Data link connector Engine control module Fuel pump relay Immobilizer control module Main relay
MB-11	Fuse (Seat heater)
MB-12	Power window circuit breaker
MB-13	Relay holder
SBF-8	ABS control module
IG	Hazard switch Power window relay
ST	Engine control module Inhibitor switch (AT) Starter motor (MT)
FB-1	Hazard switch Rear turn signal light RH Trailer connector Turn signal switch
FB-2	Hazard switch Rear turn signal light LH Trailer connector Turn signal switch
FB-3	Parking switch
FB-4	Front turn signal light RH Side turn signal light RH
FB-5	Front turn signal light LH Side turn signal light LH
FB-6	Front clearance light LH Front clearance light RH
FB-7	License plate light Tail light LH Tail light RH Trailer connector
FB-9	Auto A/C control module Combination meter Keyless entry control module Luggage room light (Wagon) Radio Room light Spot light Trunk room light (Sedan)

No.	Load
FB-10	Bright switch Combination meter Front fog light relay Front fog light switch Headlight leveling switch Illumination light Rear fog light relay Rear fog light switch
FB-12	Parking switch
FB-13	Engine control module Lighting switch
FB-14	Parking switch
FB-15	Mirror heater relay Rear defogger Rear defogger switch
FB-16	Engine control module Rear defogger timer
FB-17	ABS relay Back-up light switch (MT) Check connector Cruise control actuator Cruise control main switch Cruise control module Inhibitor switch (AT) Seat belt timer Vehicle speed sensor (MT)
FB-18	Headlight leveler LH Headlight leveler RH
FB-19	Air conditioning relay Sub fan relay Pressure switch (A/C)
FB-20	AUTO A/C control module Blower motor relay Mode control panel Rear defogger timer
FB-21	Driver's control center differential control module Driver's control center differential relay Engine control module Fuel pump relay Ignition coil and ignitor Immobilizer control module Transmission control module
FB-22	Airbag control module
FB-23	Airbag control module
FB-24	Rear washer motor
FB-25	Rear wiper intermittent module Rear wiper motor
FB-26	Front washer motor Front wiper motor Front wiper switch
FB-27	Auto A/C control module Radio
FB-28	Front accessory power supply socket Remote controlled rearview mirror switch Intercooler water spray switch Intercooler water spray timer Seat heater relay

# Power Supply Routing

WIRING SYSTEM

No.	Load
FB-29	Rear fog light relay
FB-30	Mirror heater relay
FB-31	Stop light switch
FB-32	ABS control module
FB-33	Front fog light relay
FB-34	Blower motor relay
FB-35	Keyless entry control module
FB-36	Combination meter

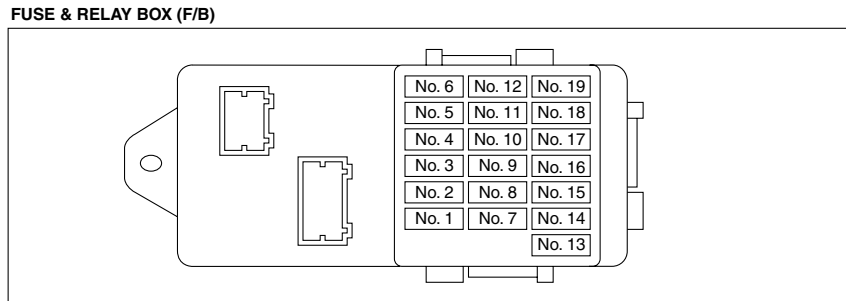
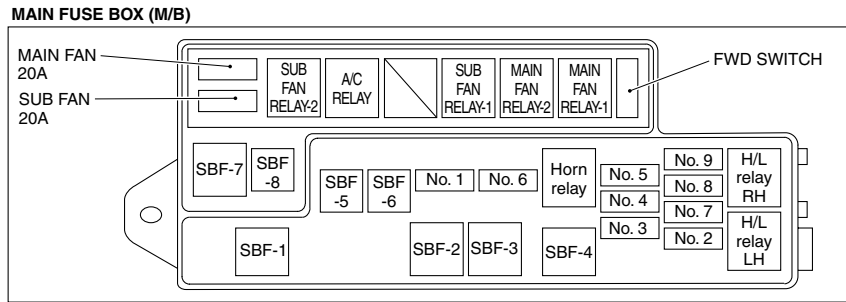
# Power Supply Routing

WIRING SYSTEM

## 2. RHD MODEL

P-SUP(R)-01

P-SUP(R)-01

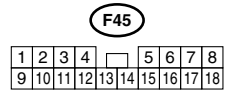
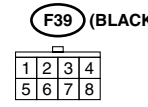
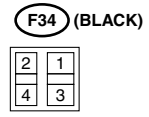
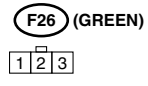
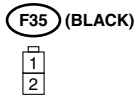
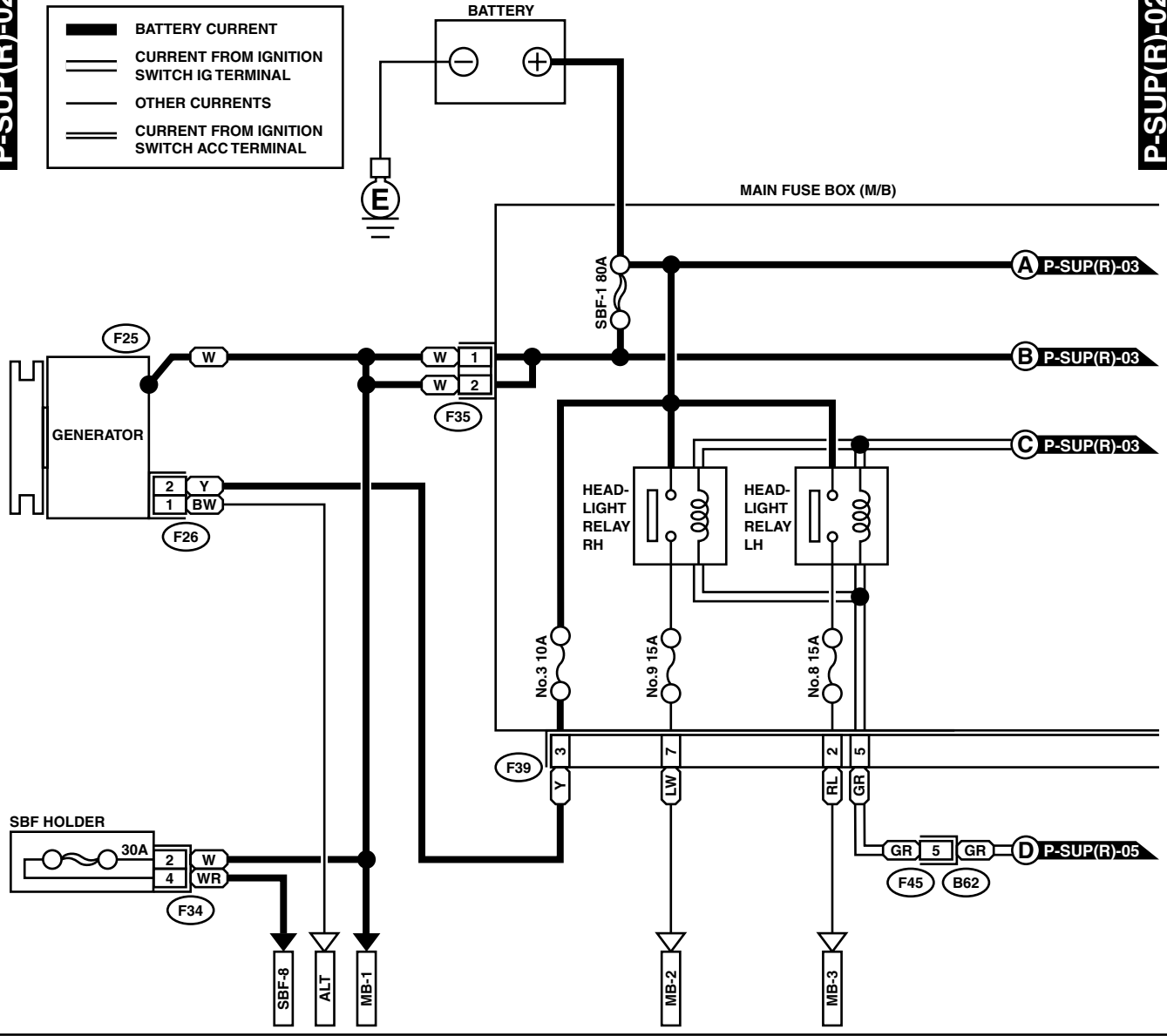
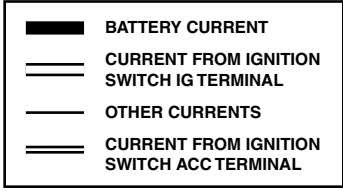


WI-02238

# Power Supply Routing

**P-SUP(R)-02**

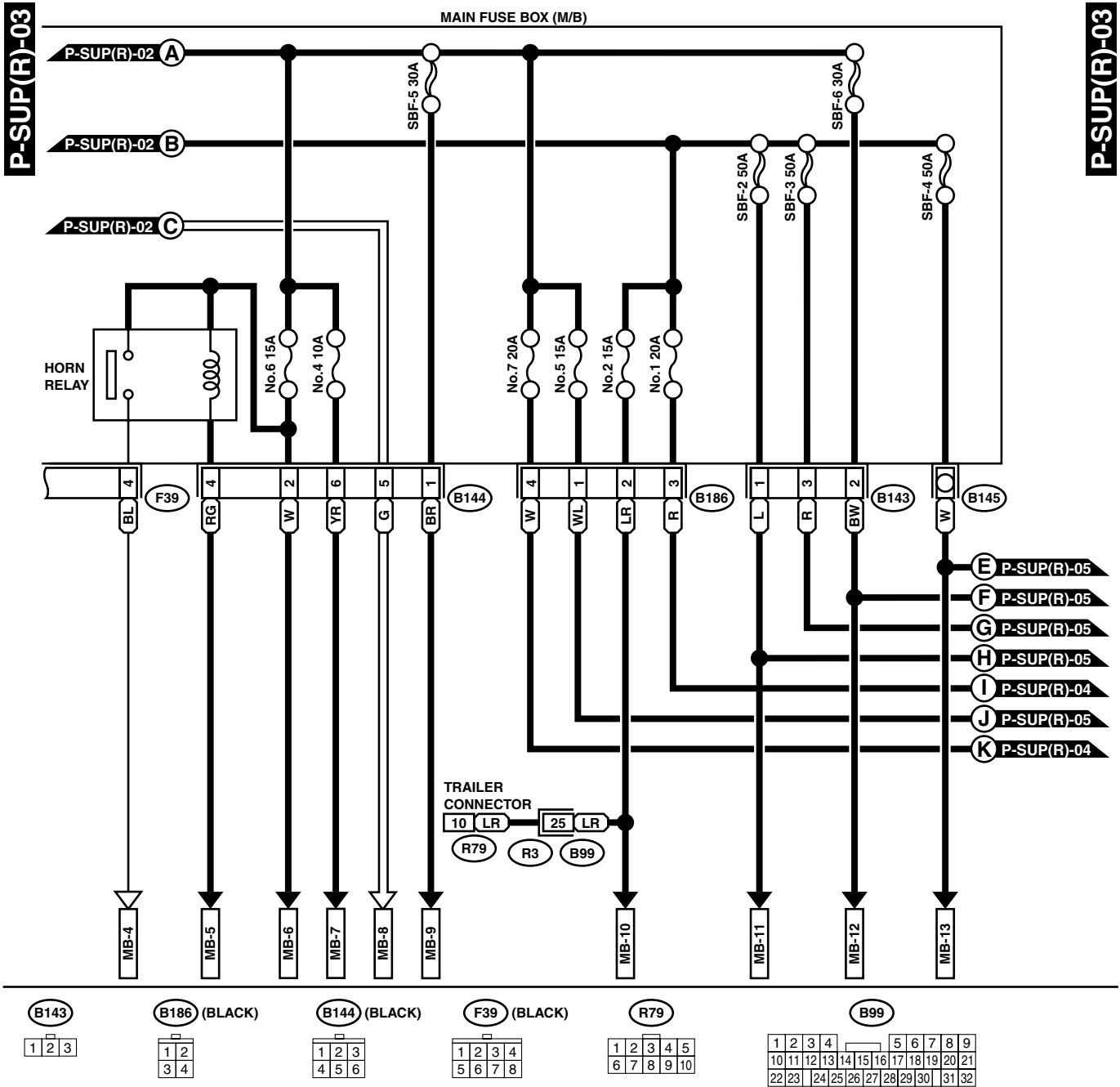
**P-SUP(R)-02**





# Power Supply Routing

WIRING SYSTEM



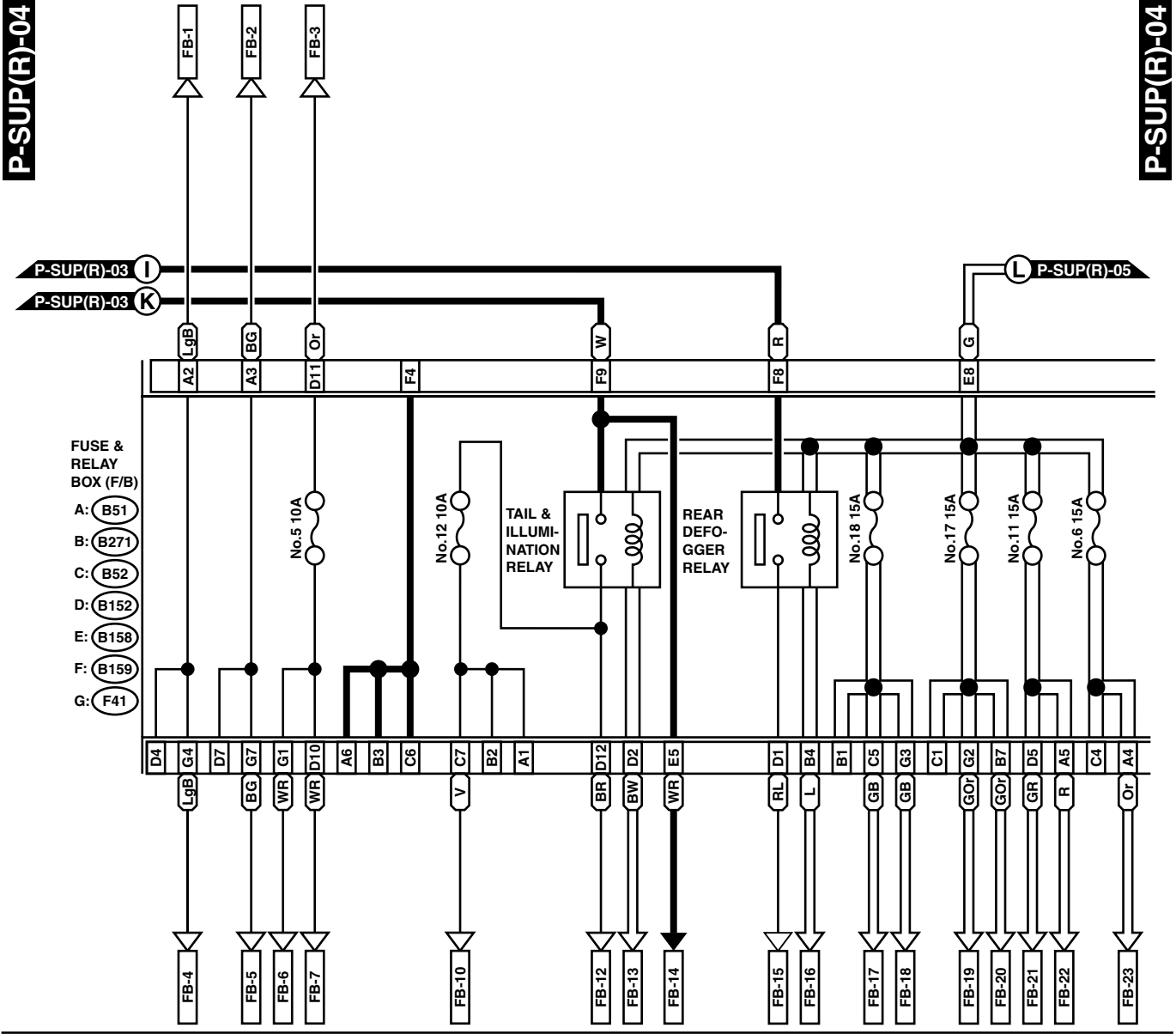
WI-02240

# Power Supply Routing

WIRING SYSTEM

**P-SUP(R)-04**

**P-SUP(R)-04**



C: (B52)

A: (B51) (BLUE)

F: (B159) (BROWN)

E: (B158) (GRAY)

B: (B271) (BLUE)

G: (F41) (GRAY)

1	2	3
4	5	6

1	2	3	4
5	6	7	8

1	2	3	4	5
6	7	8	9	10

D: (B152)

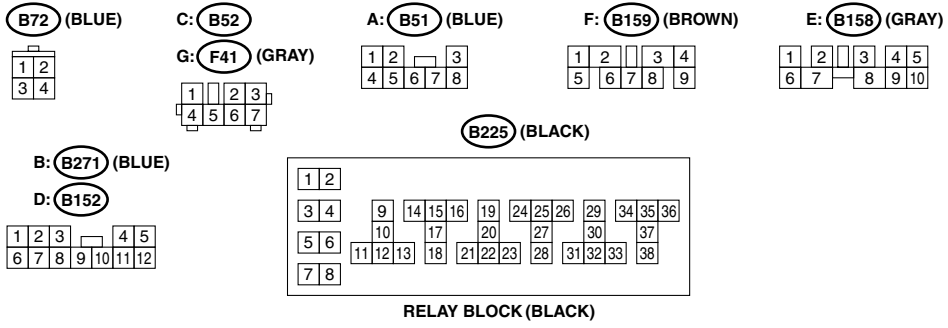
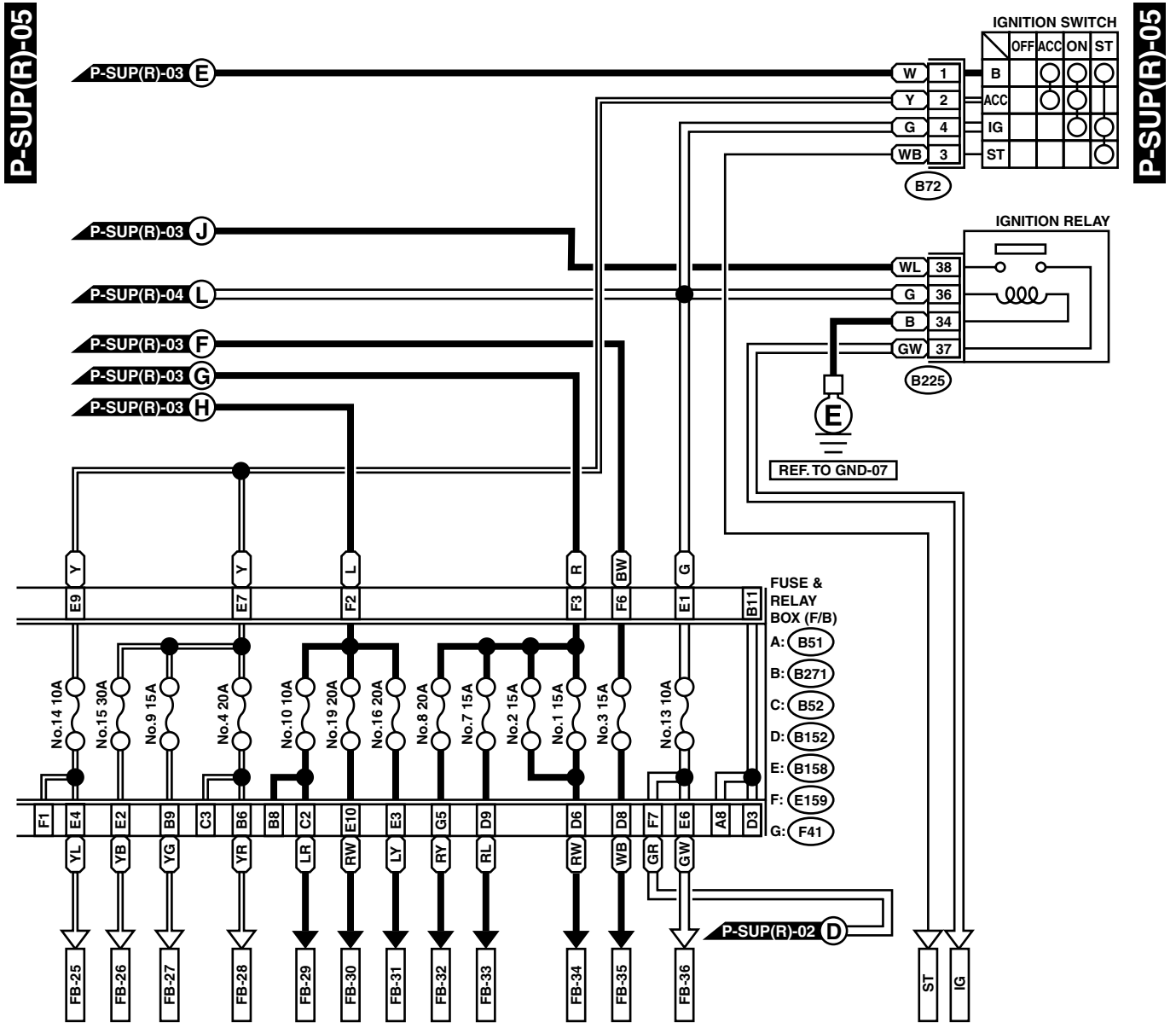
1	2	3	4	5
6	7	8	9	10
11	12			

1	2	3
4	5	6

WI-02241

# Power Supply Routing

WIRING SYSTEM



WI-04536

# Power Supply Routing

WIRING SYSTEM

No.	Load
MB-1	Air conditioning relay holder
MB-2	Combination meter Headlight RH
MB-3	Headlight LH
MB-4	Horn
MB-5	Cruise control sub switch Horn switch
MB-6	Hazard switch Keyless entry control module Key warning switch Security control module
MB-7	Driver's control center differential control module Driver's control center differential relay Transmission control module
MB-8	Diode (With rear fog light model) Lighting switch
MB-9	Data link connector Engine control module Fuel pump relay Immobilizer control module Main relay
MB-10	Auto A/C Control module Combination meter Ignition switch illumination light Keyless entry control module Luggage room light (Wagon) Radio Room light Security control module Security relay Spot light Trunk room light (Sedan)
MB-11	Fuse (Seat heater)
MB-12	Power window circuit breaker
MB-13	Relay holder
SBF-8	ABS control module
IG	Hazard switch
ST	Engine control module Inhibitor switch (AT) Security relay Starter motor (MT)
FB-1	Hazard switch Rear turn signal light RH Trailer connector Turn signal switch
FB-2	Hazard switch Rear turn signal light LH Side turn signal light LH Trailer connector Turn signal switch
FB-3	Parking switch
FB-4	Front turn signal light RH Side turn signal light RH
FB-5	Front turn signal light LH
FB-6	Front clearance light LH Front clearance light RH

No.	Load
FB-7	License plate light Tail light LH Tail light RH Trailer connector
FB-10	Bright switch Combination meter Front fog light relay Front fog light switch Headlight leveling switch Illumination control module Illumination light Rear fog light relay Rear fog light switch
FB-12	Parking switch
FB-13	Engine control module Lighting switch
FB-14	Parking switch
FB-15	Mirror heater relay Rear defogger Rear defogger switch
FB-16	Engine control module Rear defogger timer
FB-17	ABS relay Back-up light switch (MT) Check connector Cruise control actuator Cruise control main switch Cruise control module Inhibitor switch (AT) Power window relay Rear defogger timer Seatbelt timer Vehicle speed sensor (MT)
FB-18	Headlight leveler LH Headlight leveler RH
FB-19	Air conditioning relay Pressure switch Sub fan relay
FB-20	AUTO A/C control module Blower motor relay Mode control panel Double lock control module
FB-21	Driver's control center differential control module Driver's control center differential relay Engine control module Fuel pump relay Ignition coil and ignitor Immobilizer control module Security control module Transmission control module
FB-22	Airbag control module
FB-23	Airbag control module
FB-25	Rear washer motor Rear wiper intermittent module Rear wiper motor

# Power Supply Routing

## WIRING SYSTEM

---

No.	Load
FB-26	Front washer motor Front wiper motor Front wiper switch
FB-27	Auto A/C control module Radio
FB-28	Front accessory power supply socket Remote controlled rearview mirror switch Intercooler water spray switch Intercooler water spray timer Seat heater relay
FB-29	Rear fog light relay
FB-30	Mirror heater relay
FB-31	Stop light switch
FB-32	ABS control module
FB-33	Front fog light relay
FB-34	Blower motor relay
FB-35	Double lock control module Keyless entry control module
FB-36	Combination meter

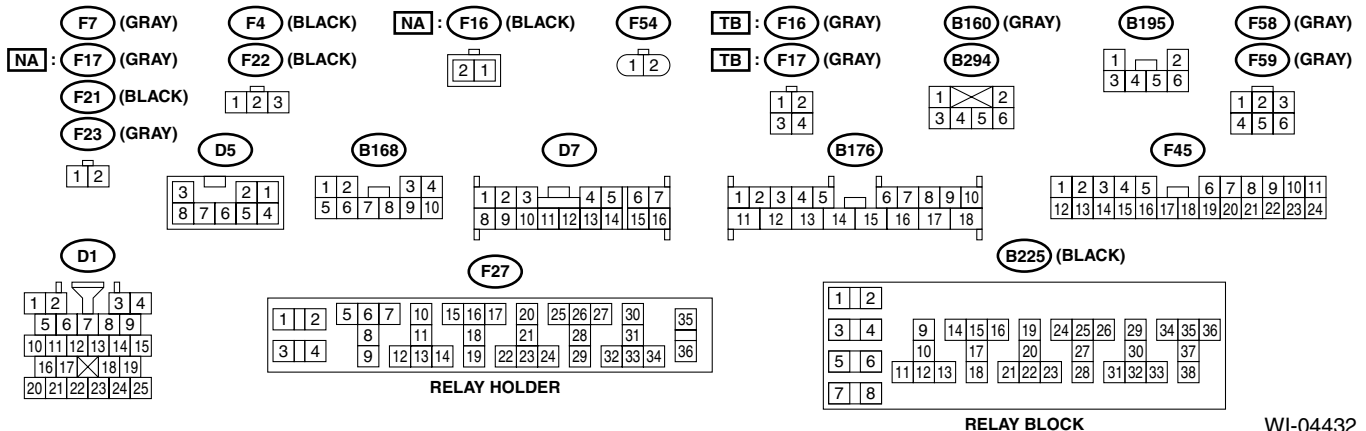
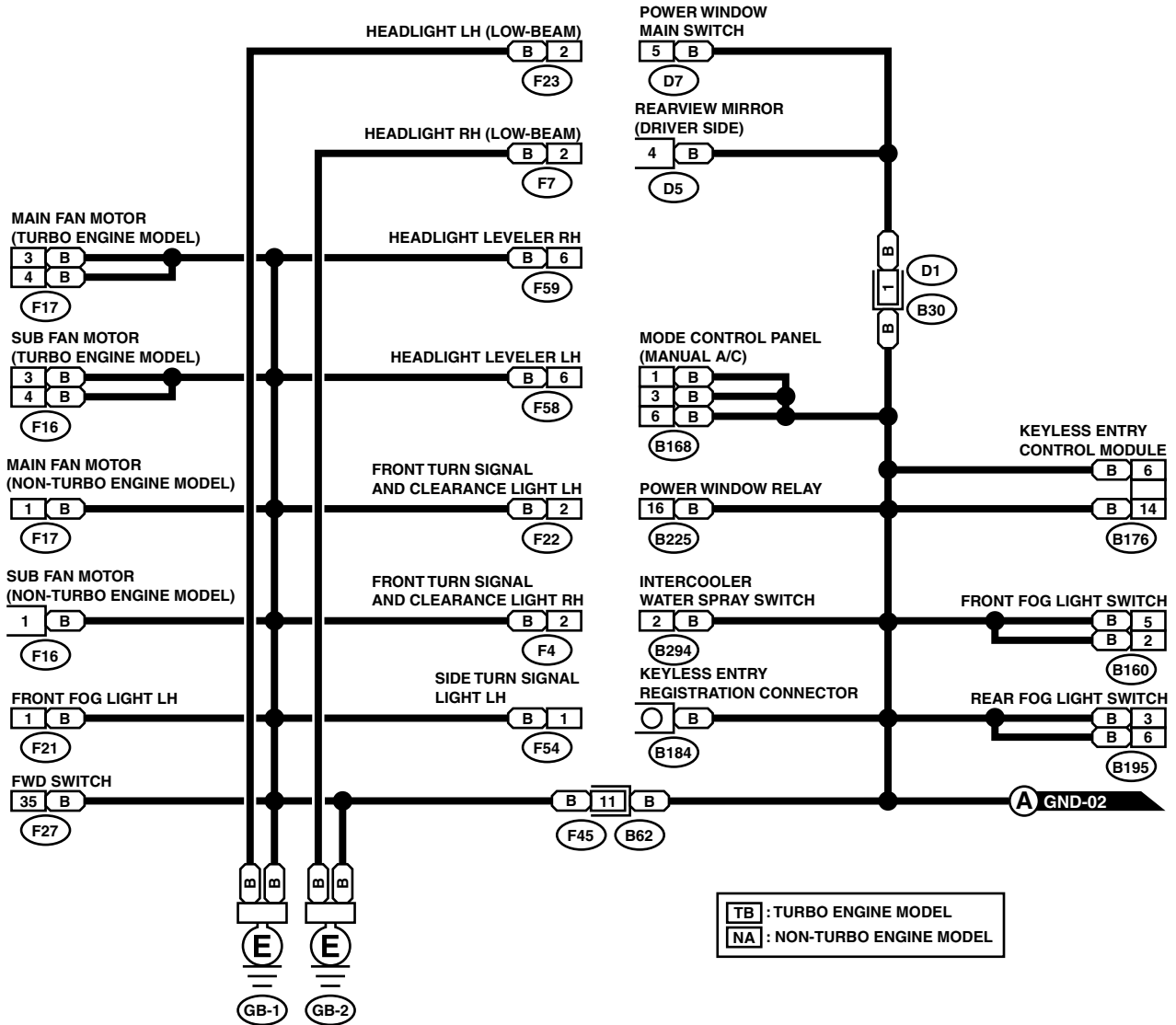
## 4. Ground Distribution

### A: WIRING DIAGRAM

#### 1. CHASSIS GROUND LHD MODEL

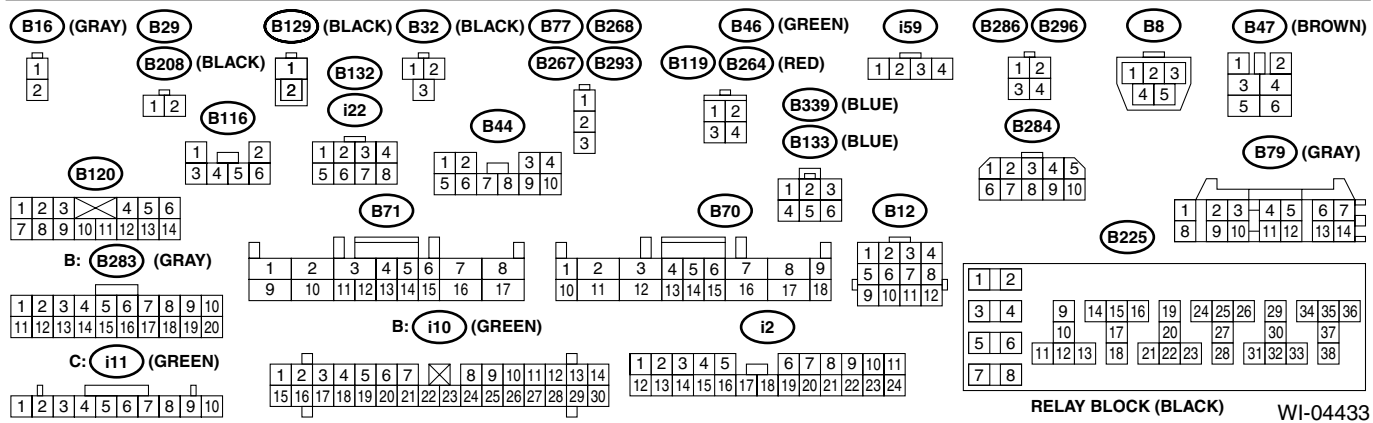
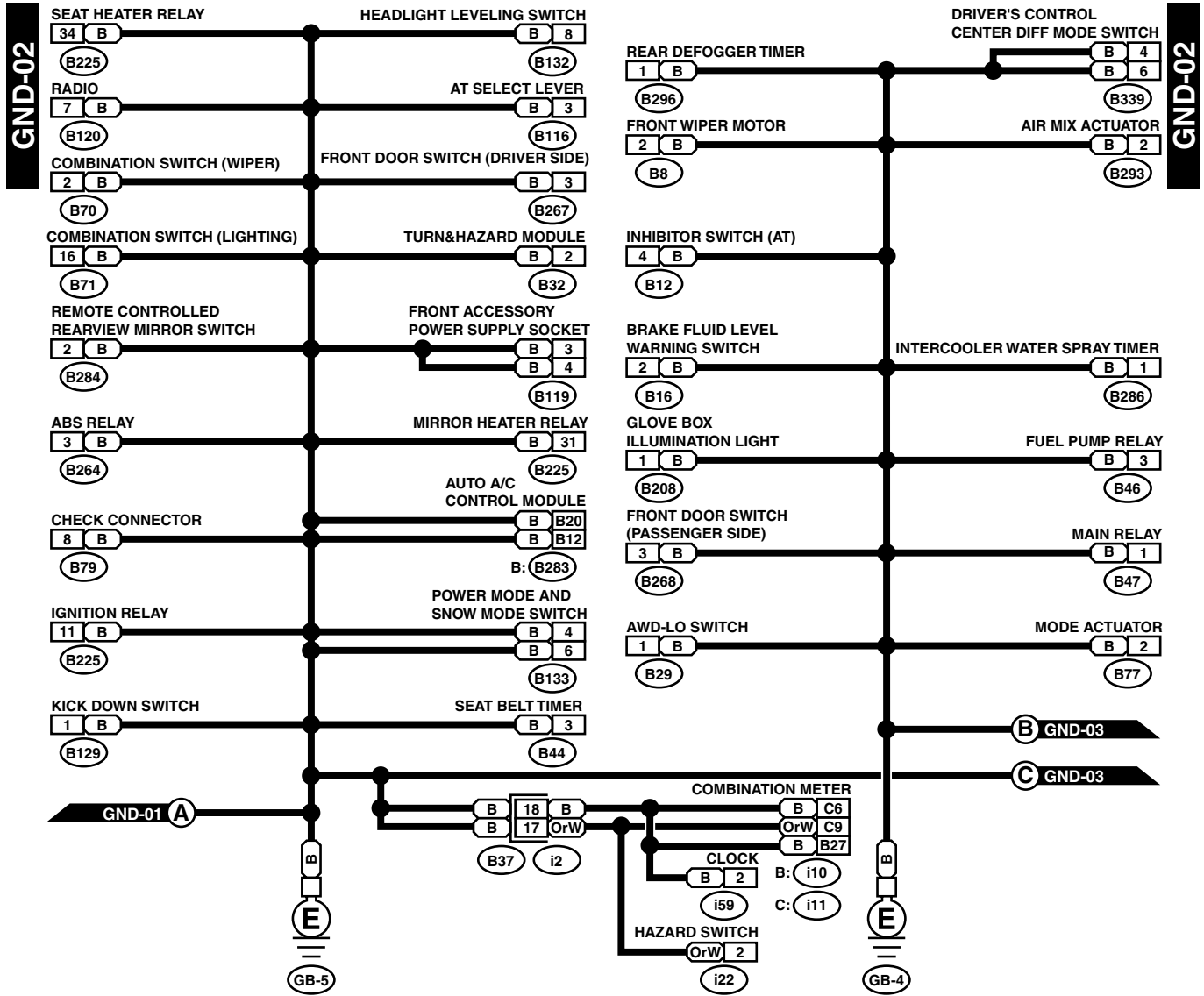
GND-01

GND-01

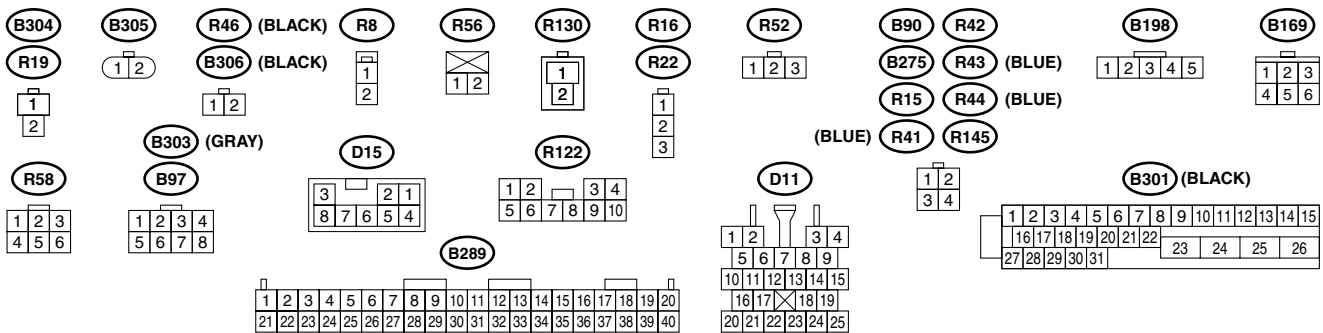
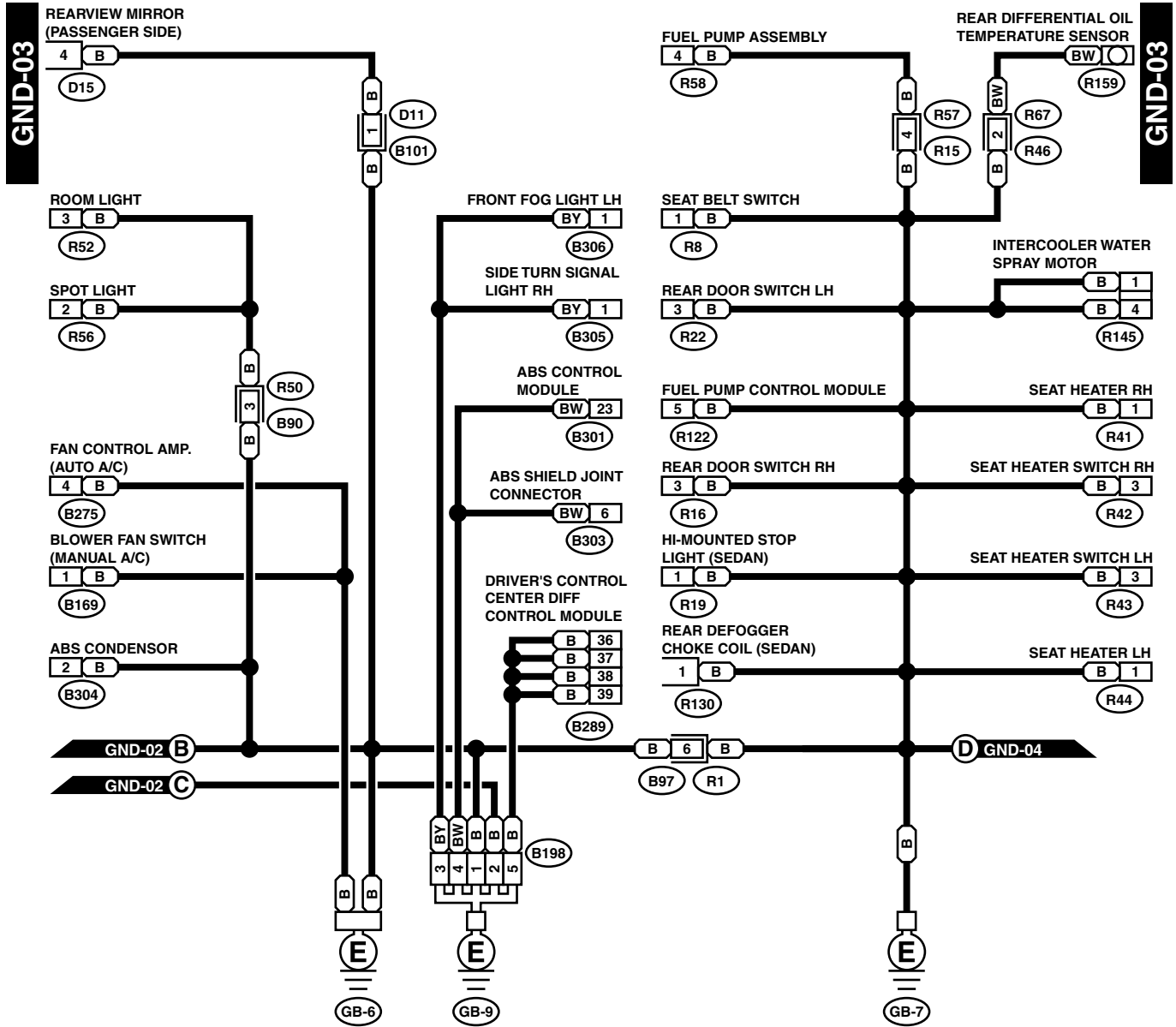


# Ground Distribution

WIRING SYSTEM



# Ground Distribution

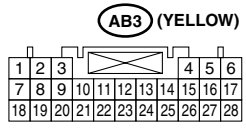
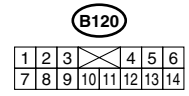
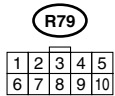
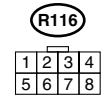
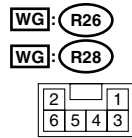
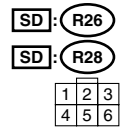
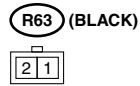
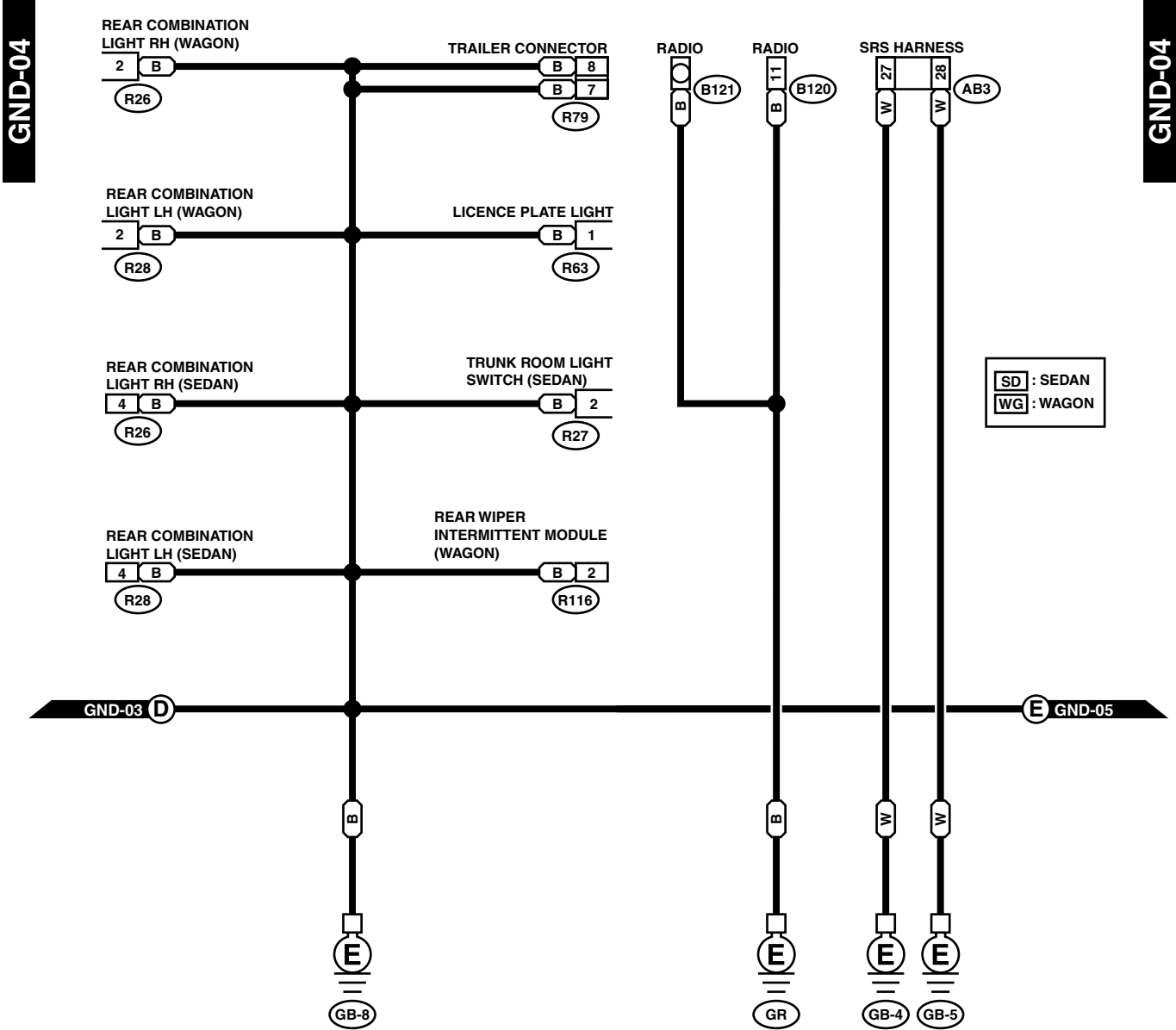


WI-04434



# Ground Distribution

WIRING SYSTEM



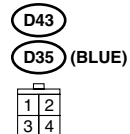
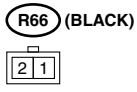
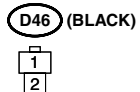
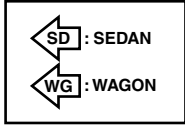
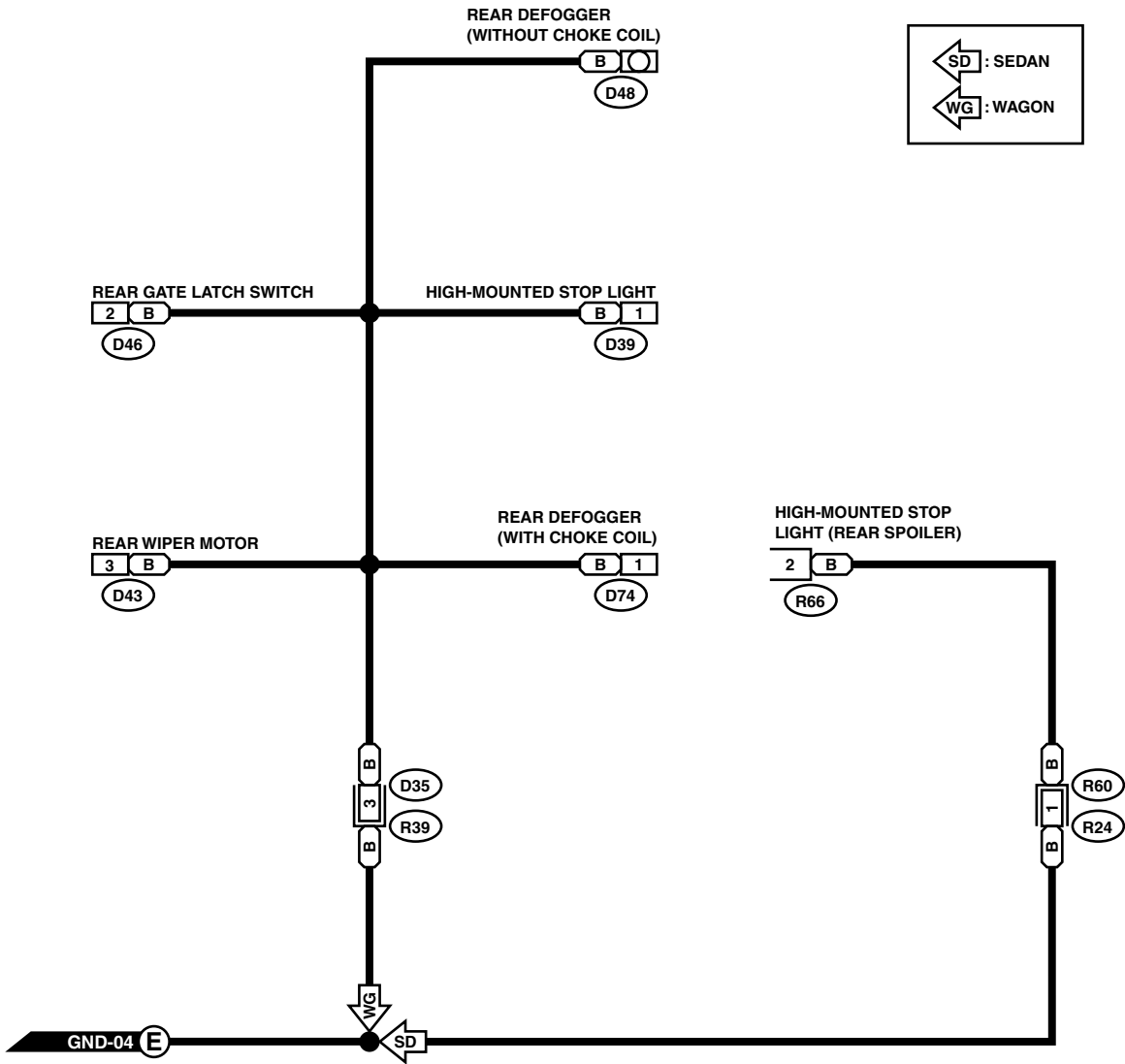
WI-04537

# Ground Distribution

WIRING SYSTEM

GND-05

GND-05

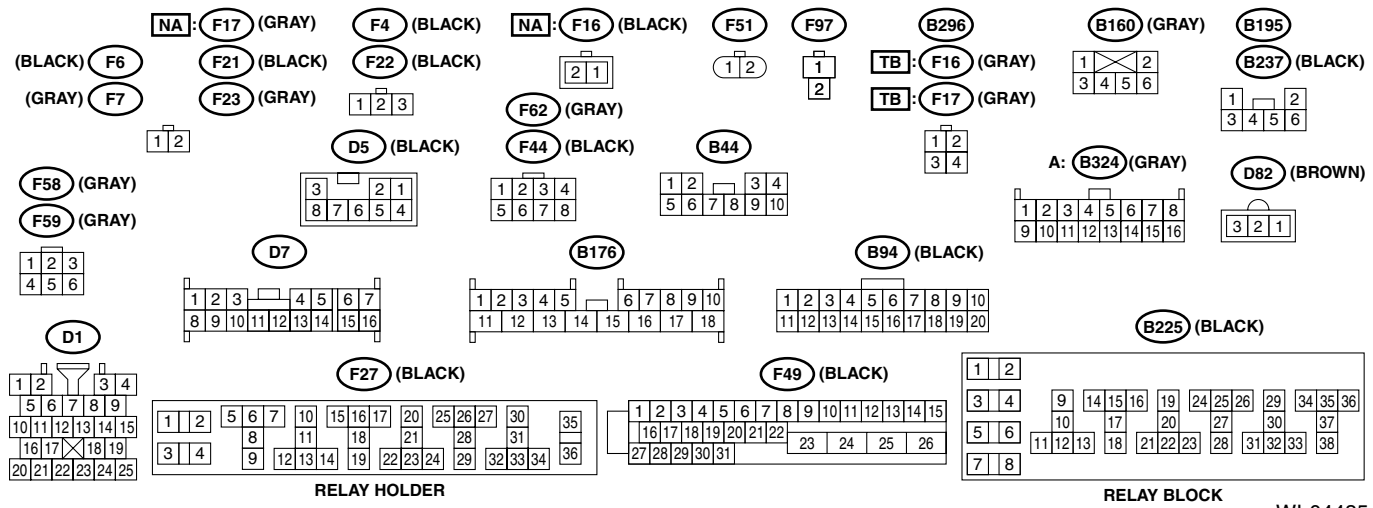
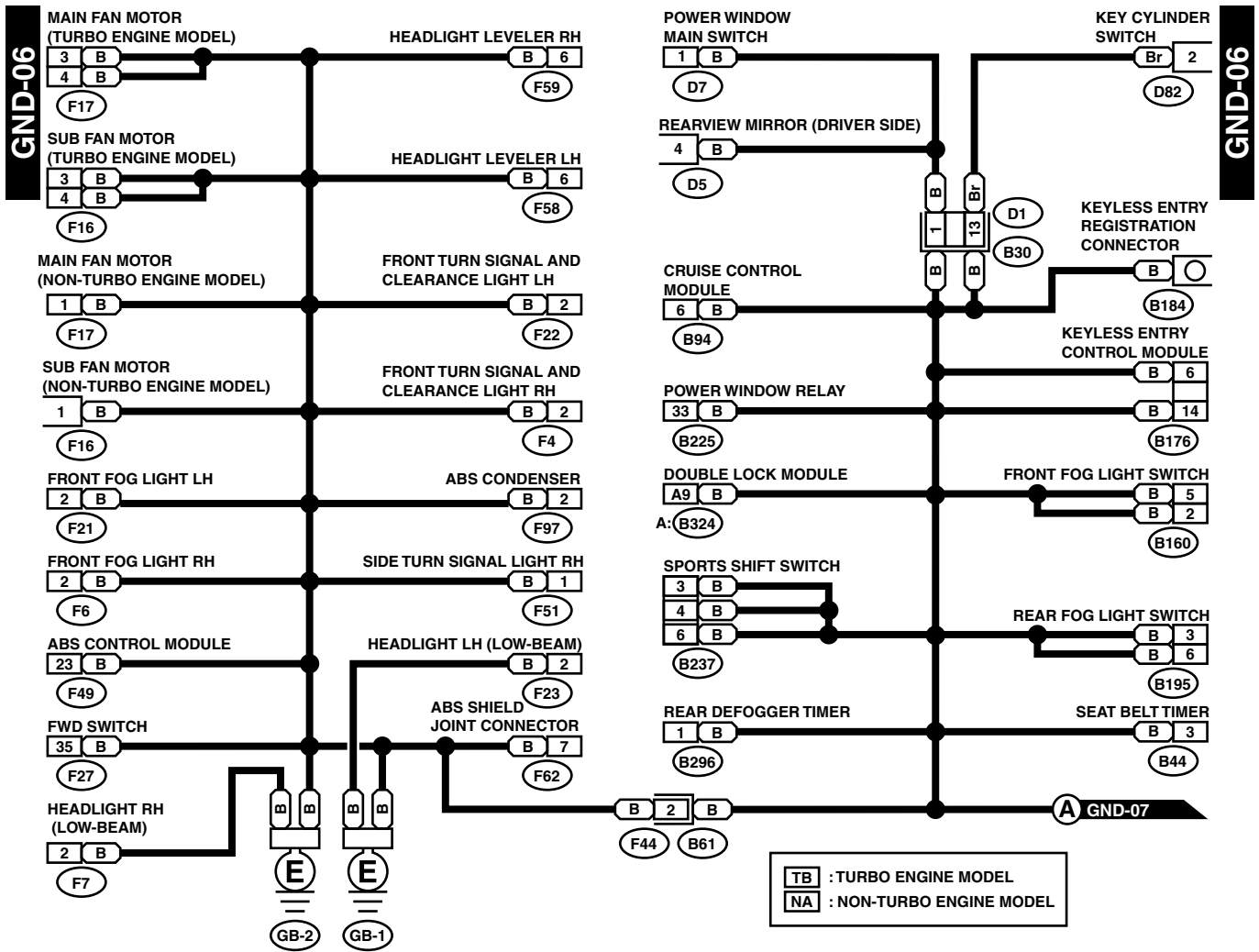


WI-04538

# Ground Distribution

## WIRING SYSTEM

### 2. CHASSIS GROUND RHD MODEL



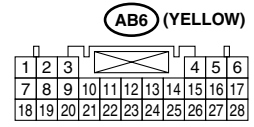
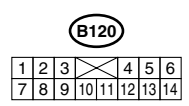
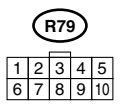
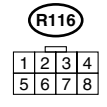
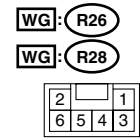
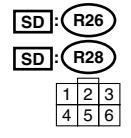
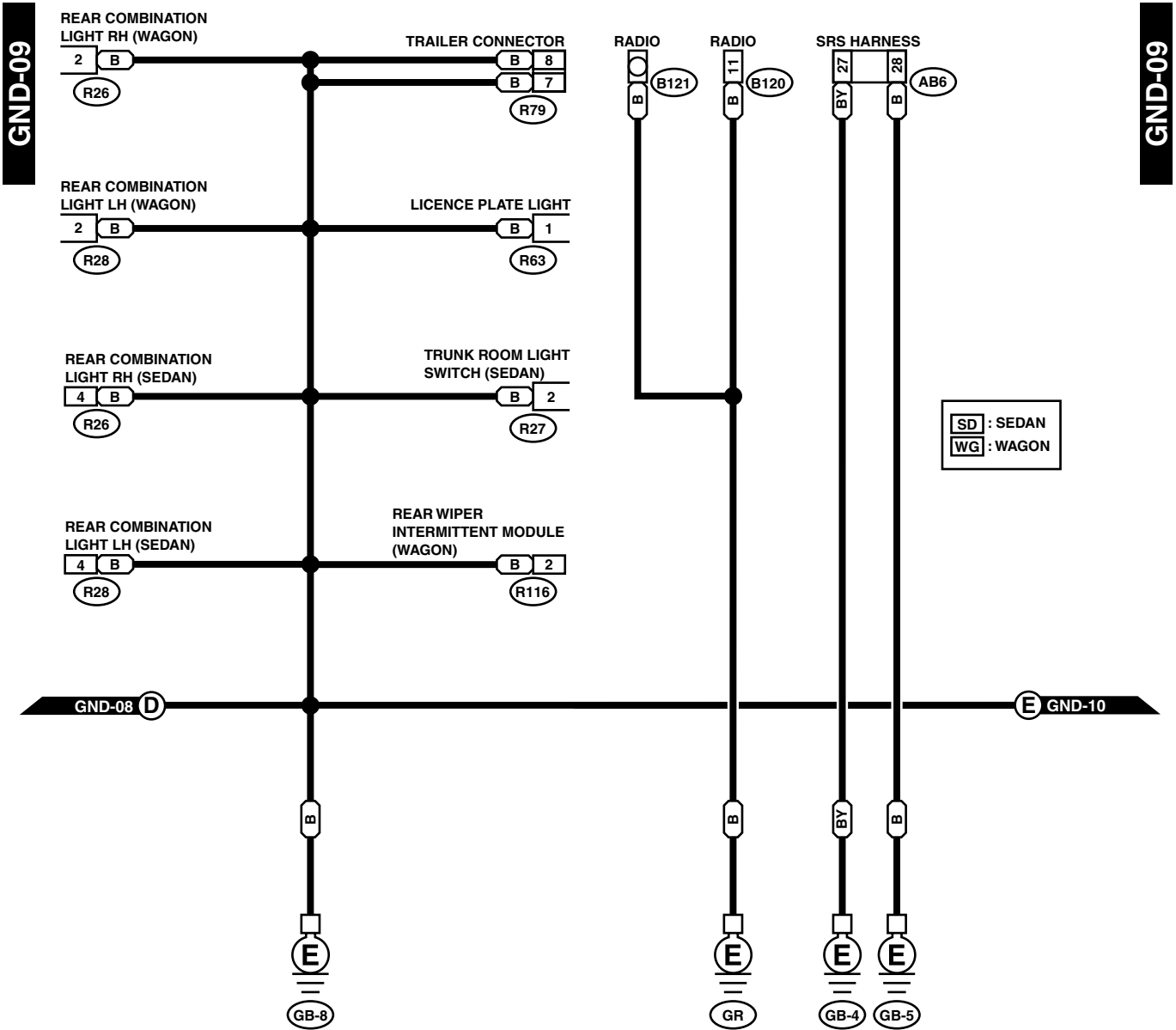
WI-04435





# Ground Distribution

WIRING SYSTEM



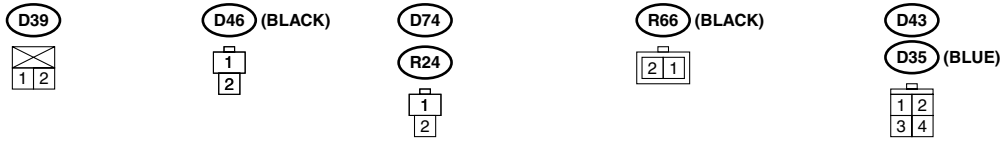
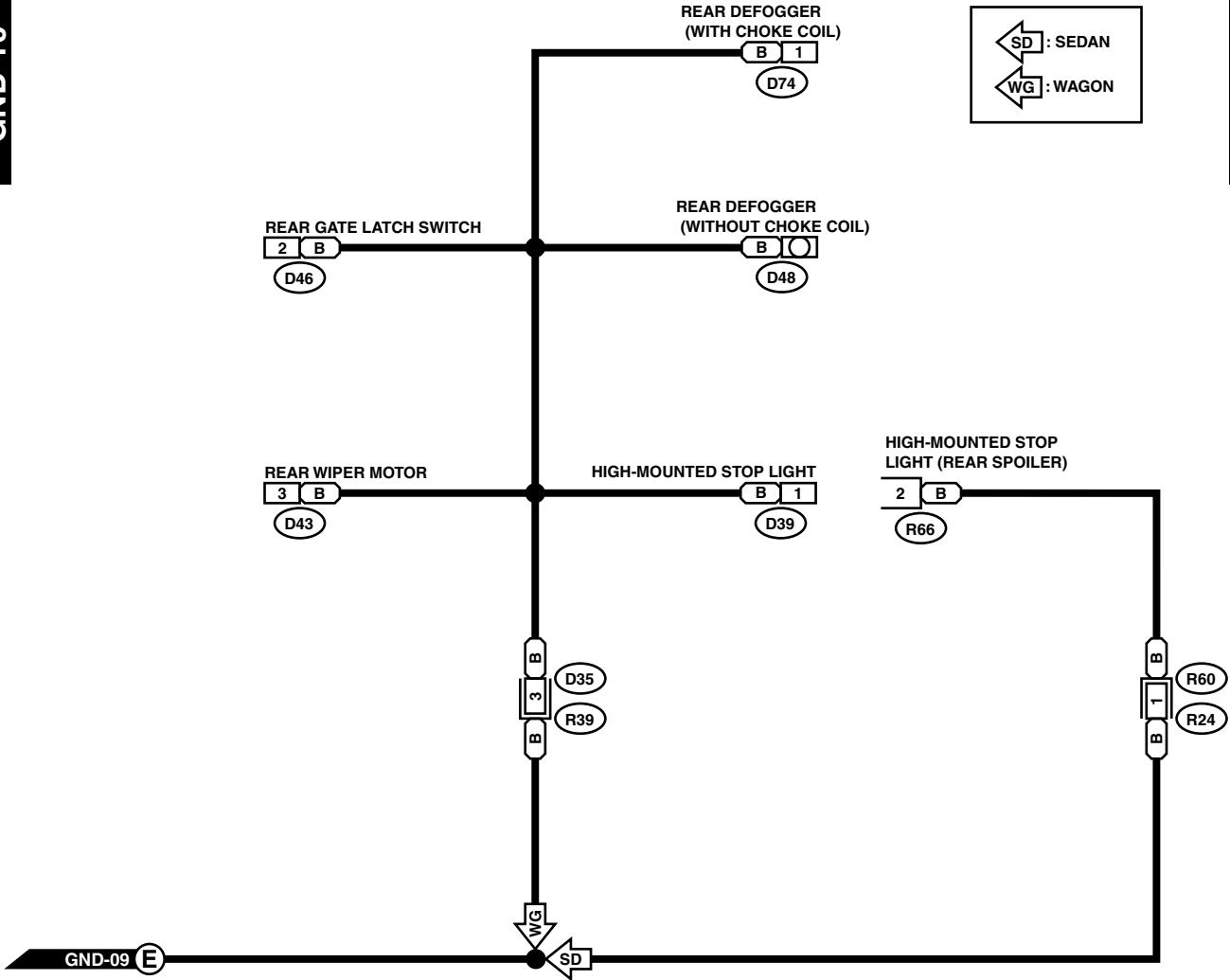
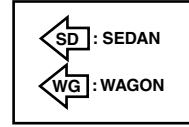
WI-02251

# Ground Distribution

WIRING SYSTEM

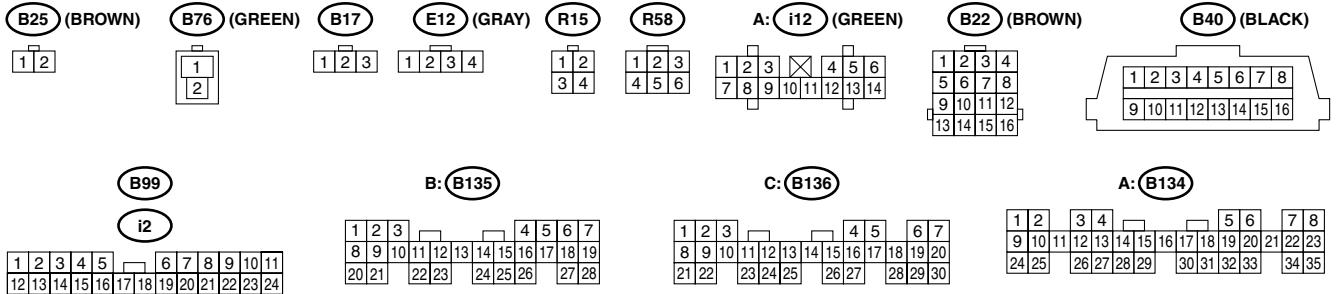
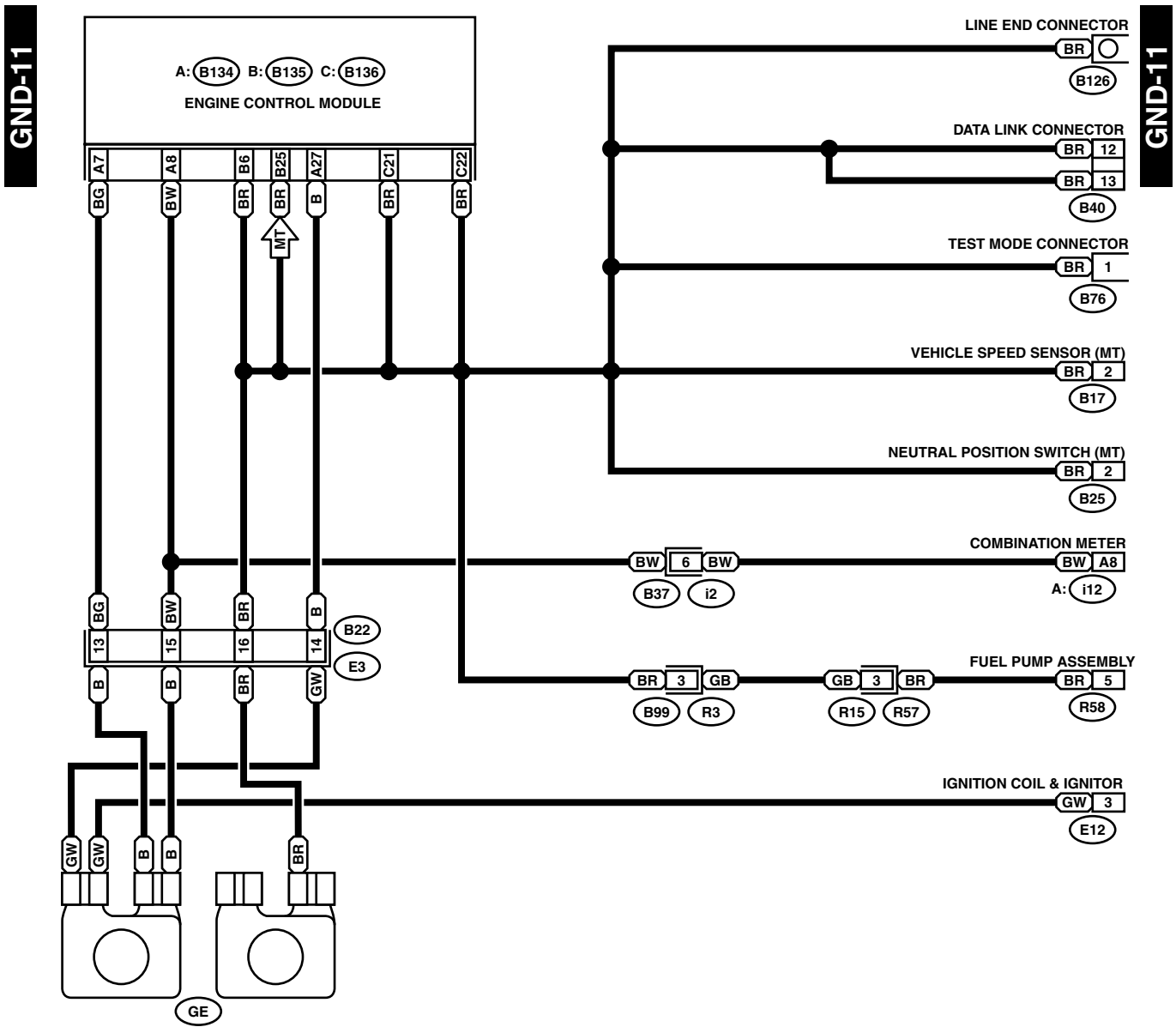
GND-10

GND-10



WI-04539

## 3. ENGINE GROUND LHD SOHC W/O OBD ENGINE MODEL

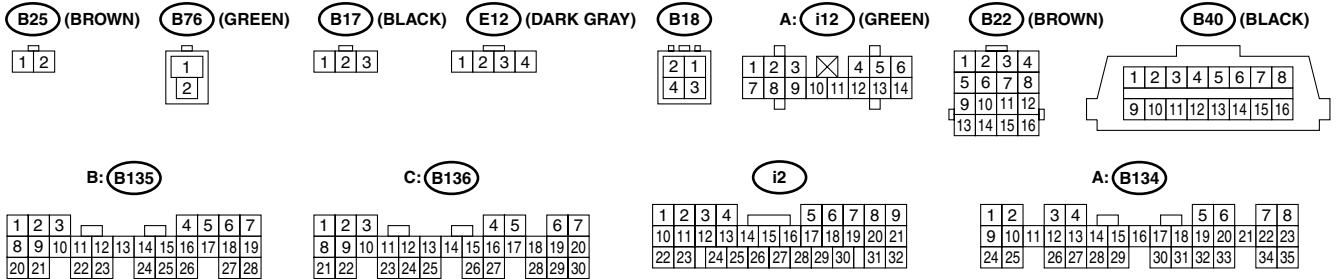
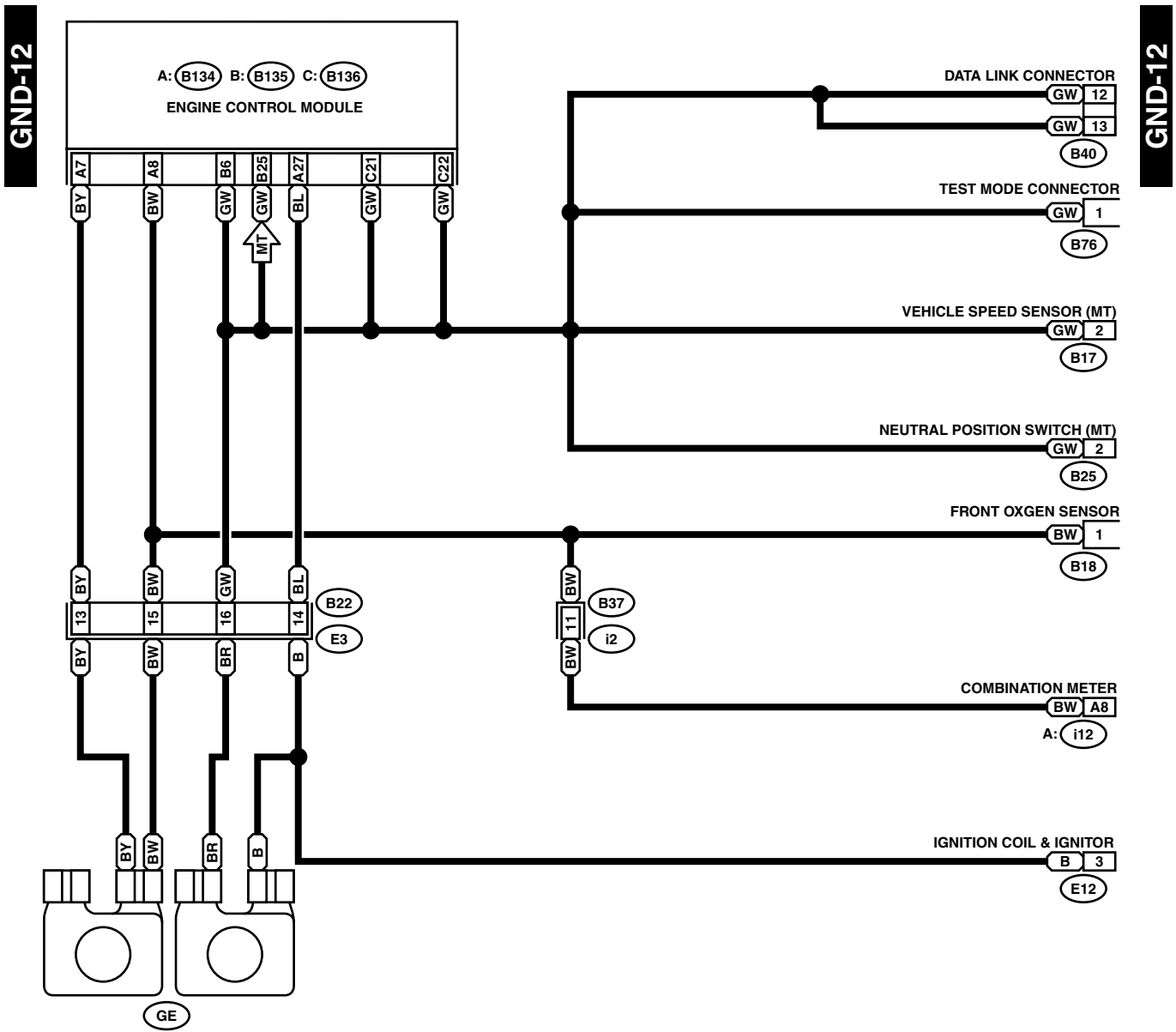




# Ground Distribution

WIRING SYSTEM

## 4. ENGINE GROUND RHD SOHC W/O OBD ENGINE MODEL



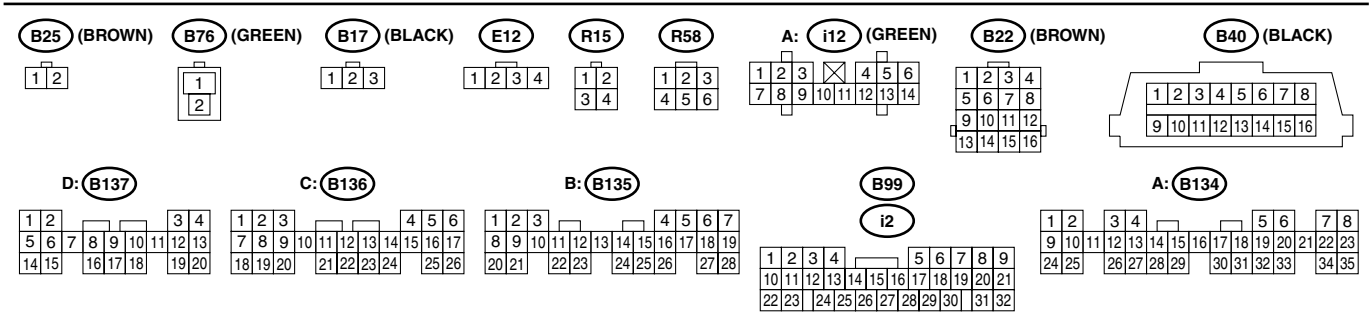
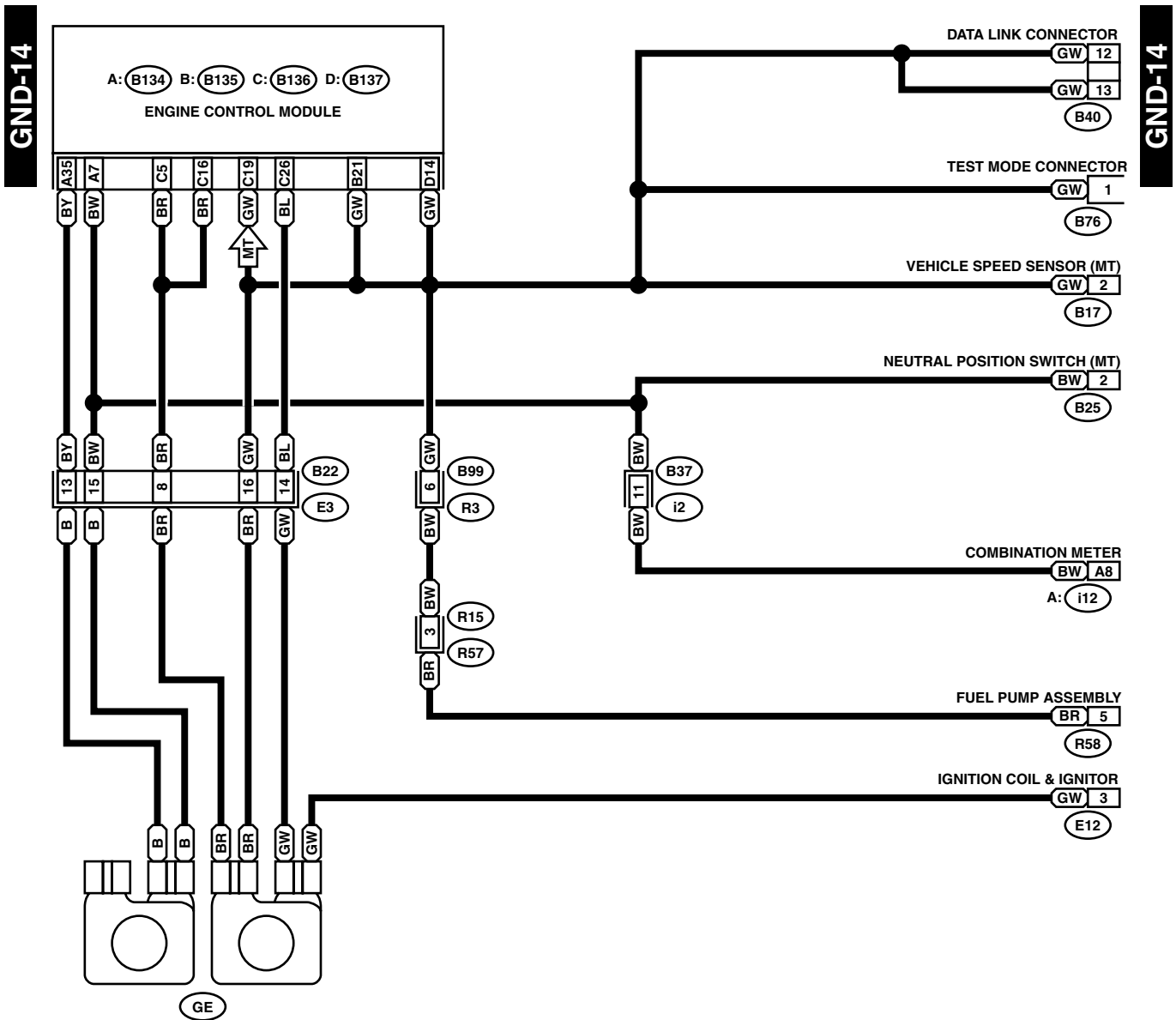
WI-02254



# Ground Distribution

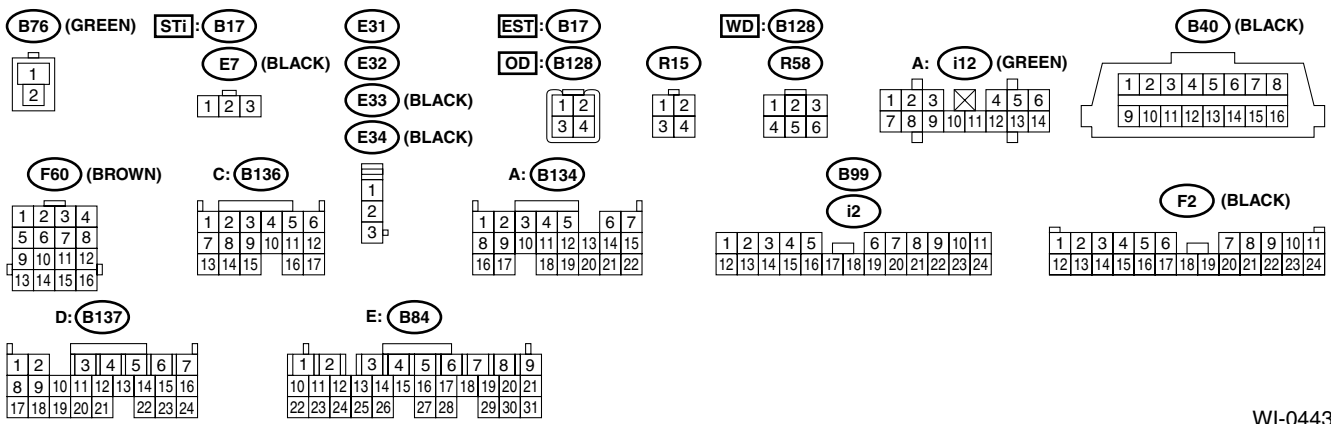
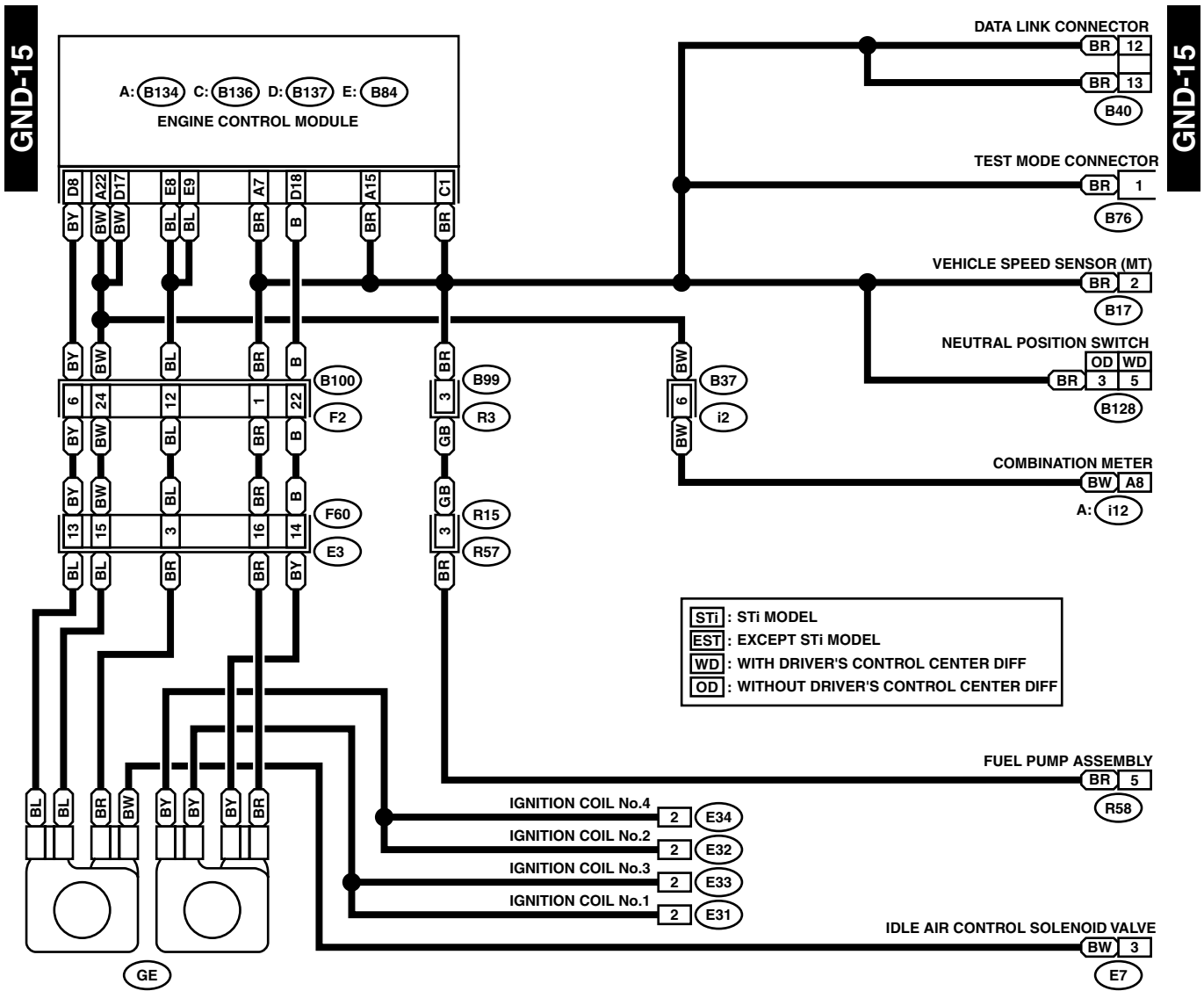
WIRING SYSTEM

## 6. ENGINE GROUND RHD SOHC WITH OBD ENGINE MODEL



WI-02256

## 7. ENGINE GROUND LHD TURBO ENGINE MODEL

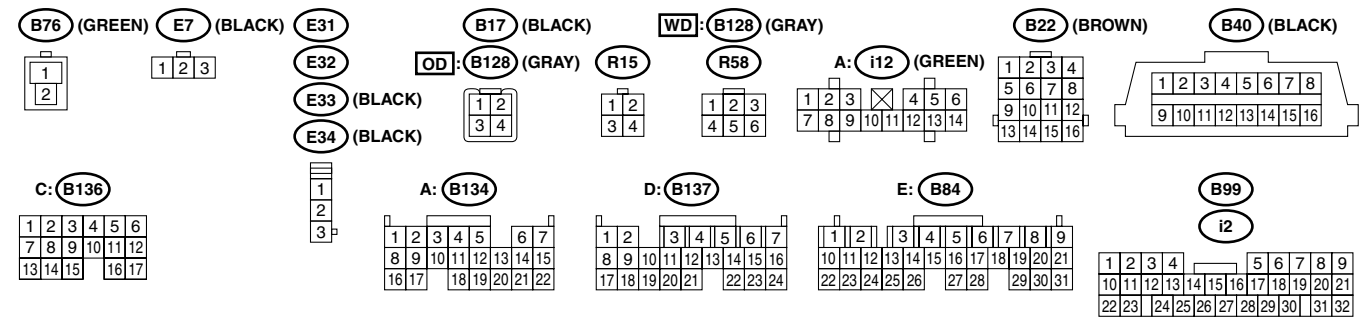
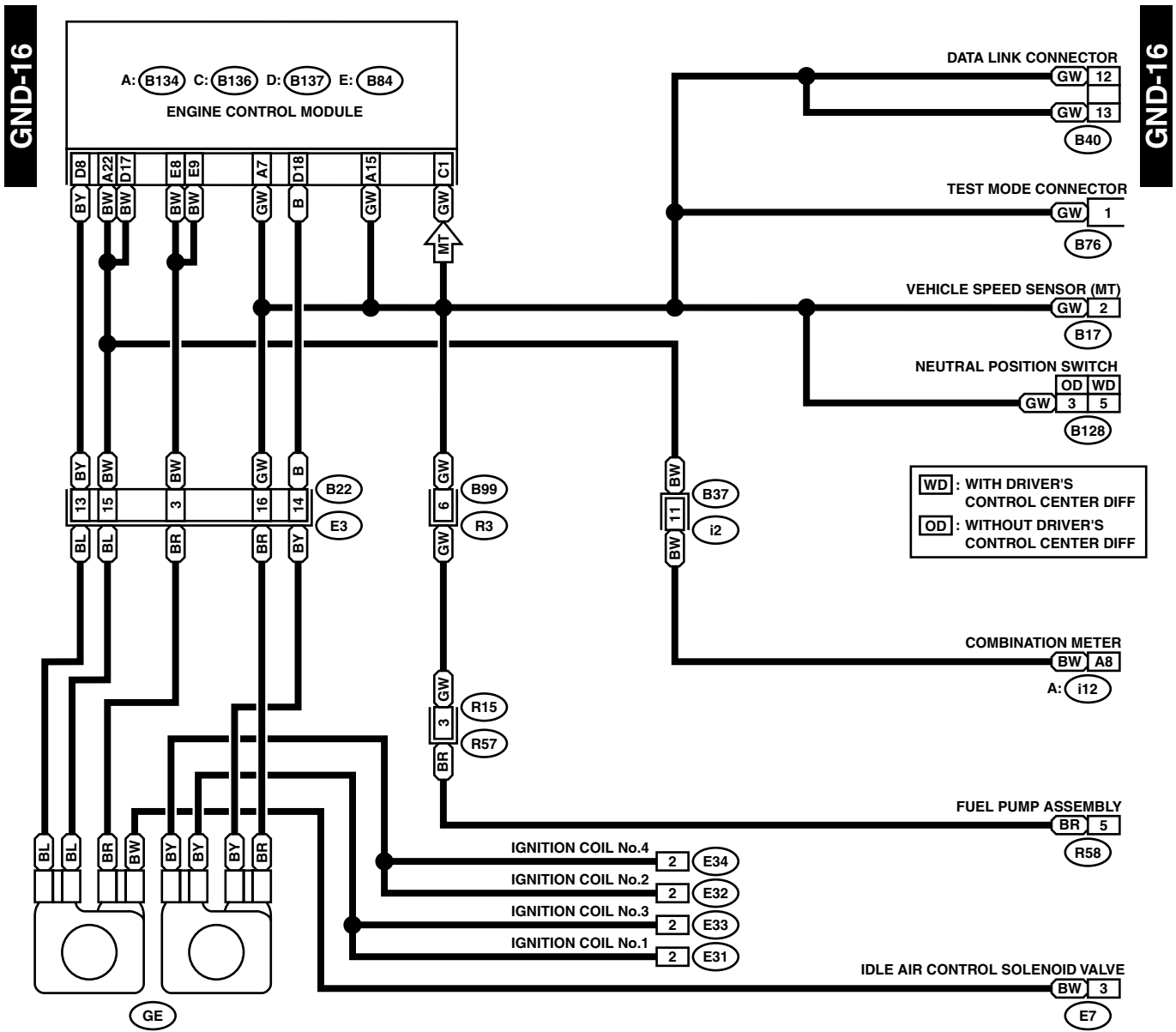


WI-04438

# Ground Distribution

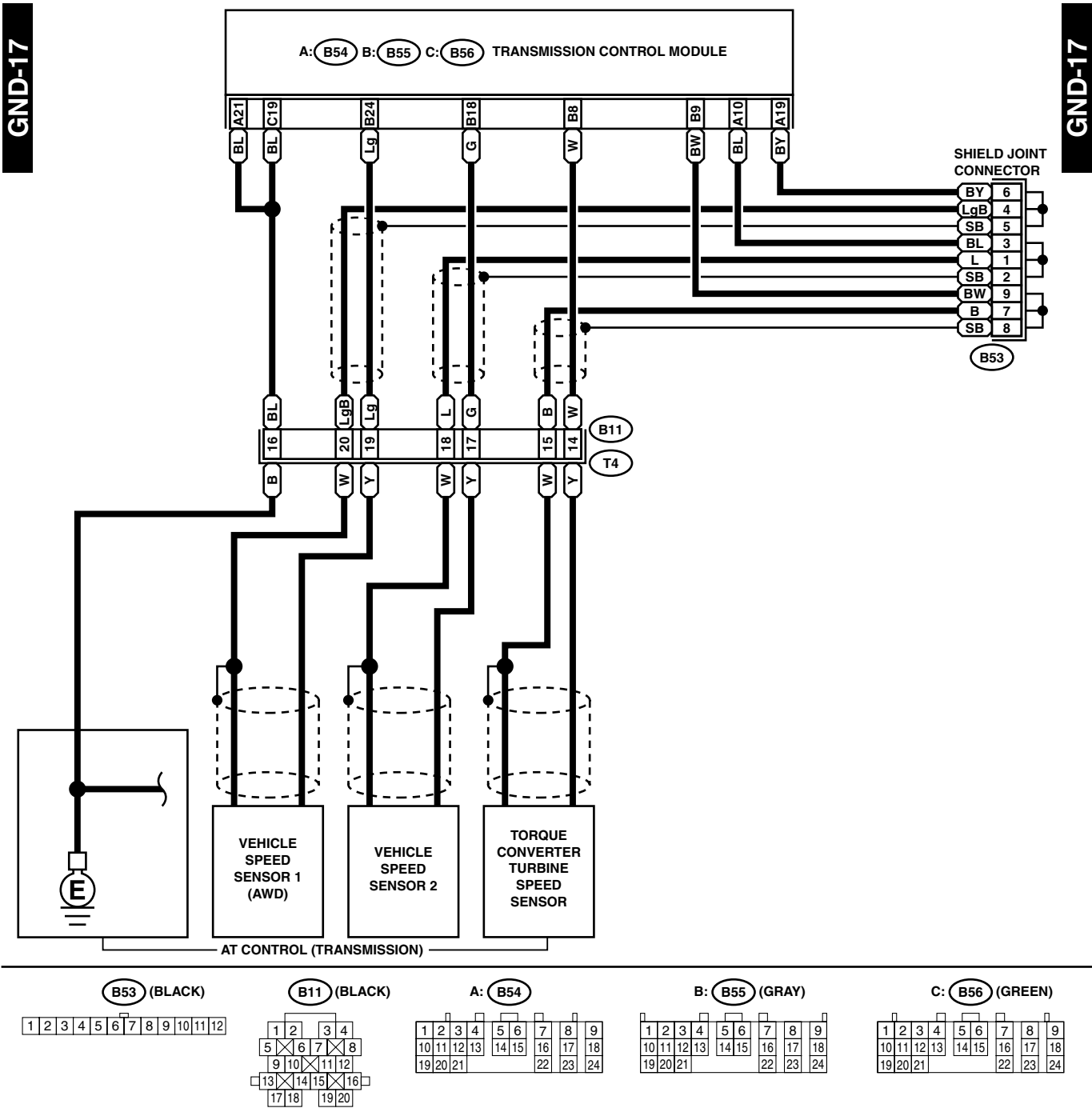
WIRING SYSTEM

## 8. ENGINE GROUND RHD TURBO ENGINE MODEL



WI-04439

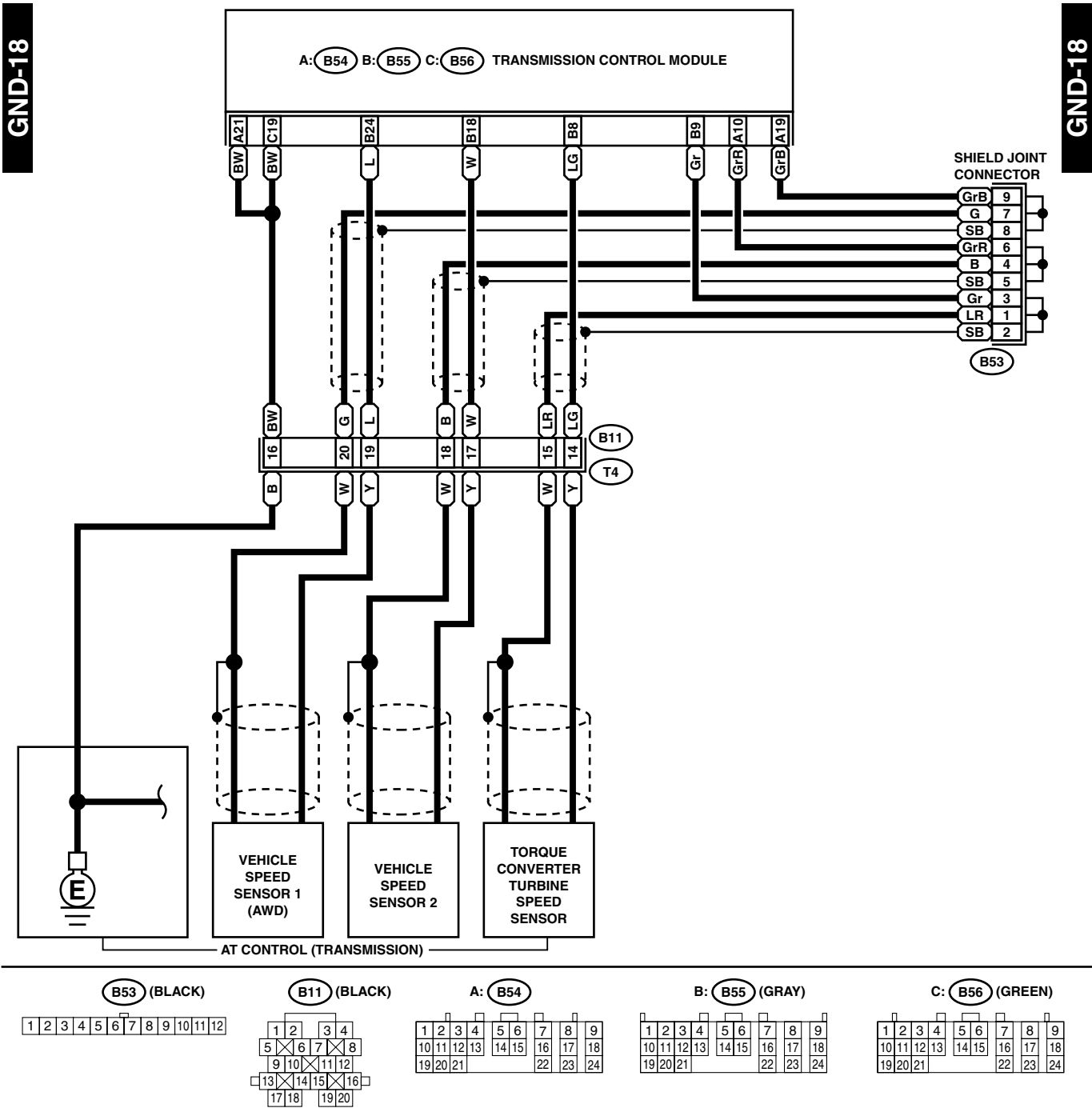
## 9. TRANSMISSION GROUND LHD MODEL



# Ground Distribution

WIRING SYSTEM

## 10. TRANSMISSION GROUND RHD MODEL

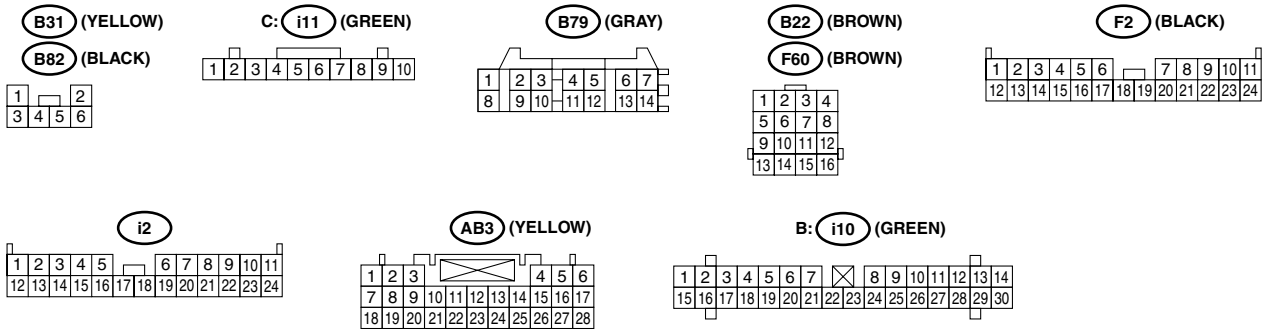
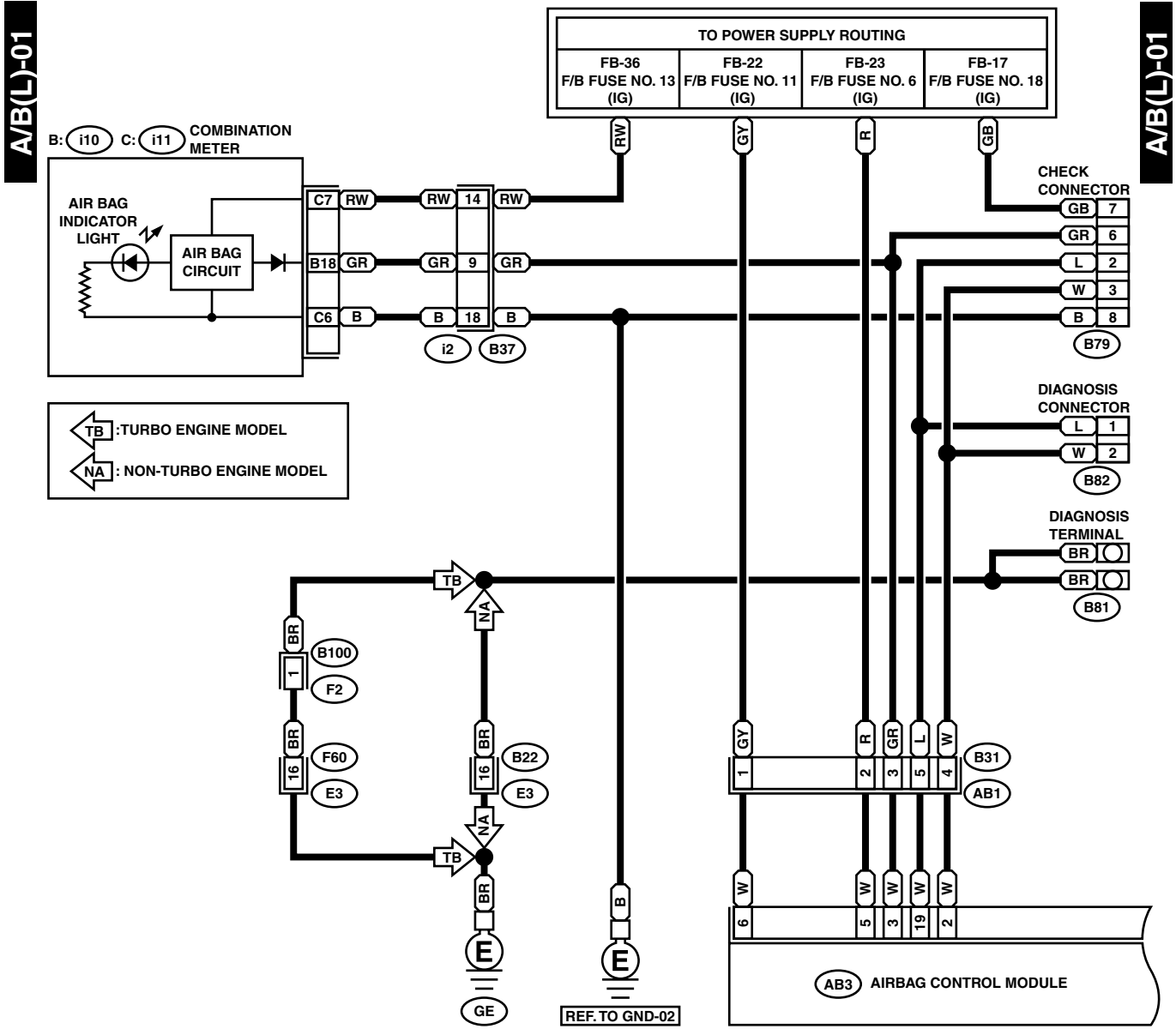


WI-04542

## 5. Airbag System

### A: WIRING DIAGRAM

#### 1. LHD MODEL



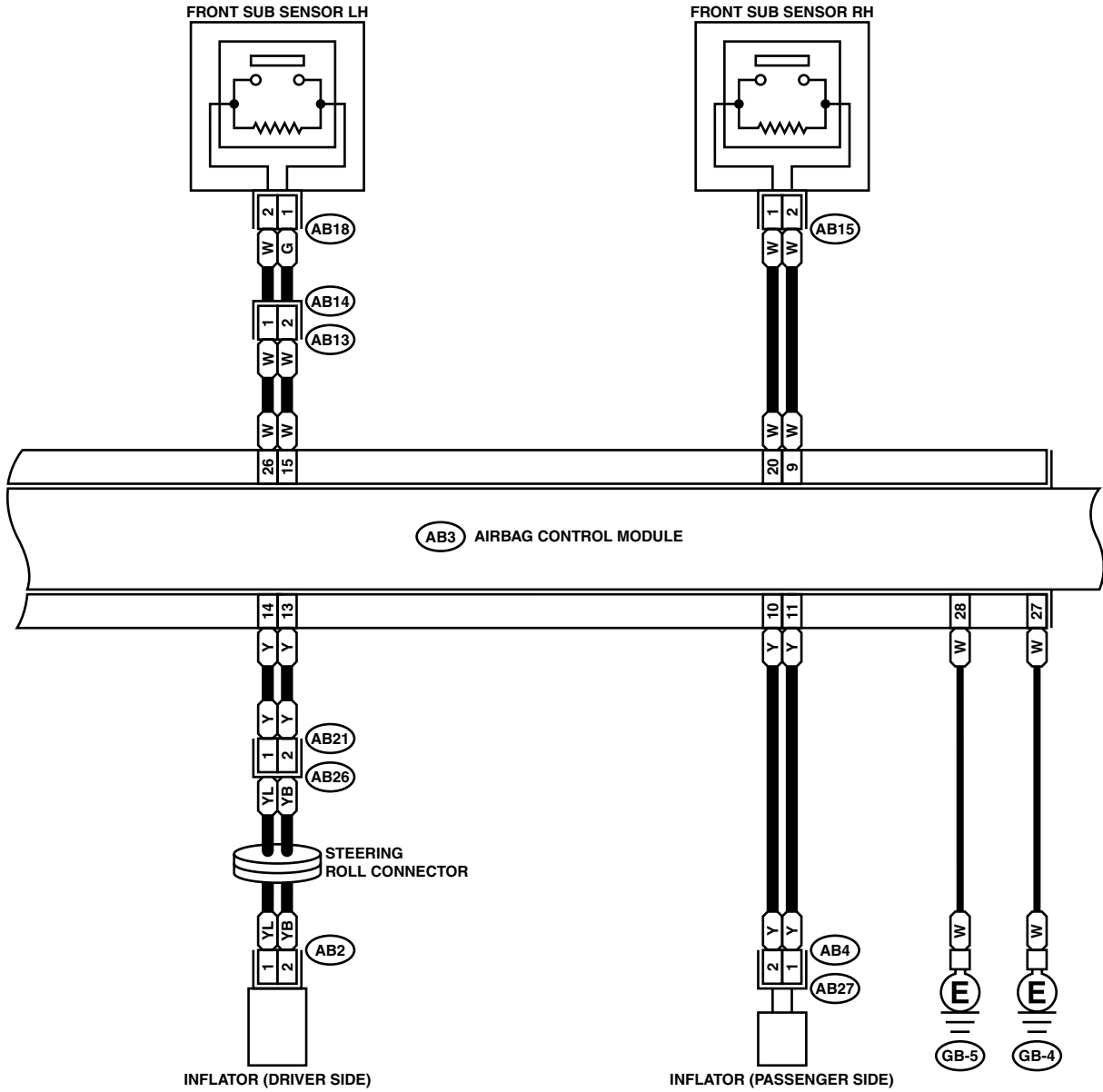


# Airbag System

WIRING SYSTEM

A/B(L)-02

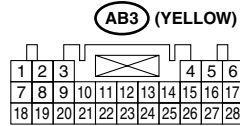
A/B(L)-02



- AB4 (YELLOW)
- AB13 (YELLOW)
- AB21 (YELLOW)
- 1 2



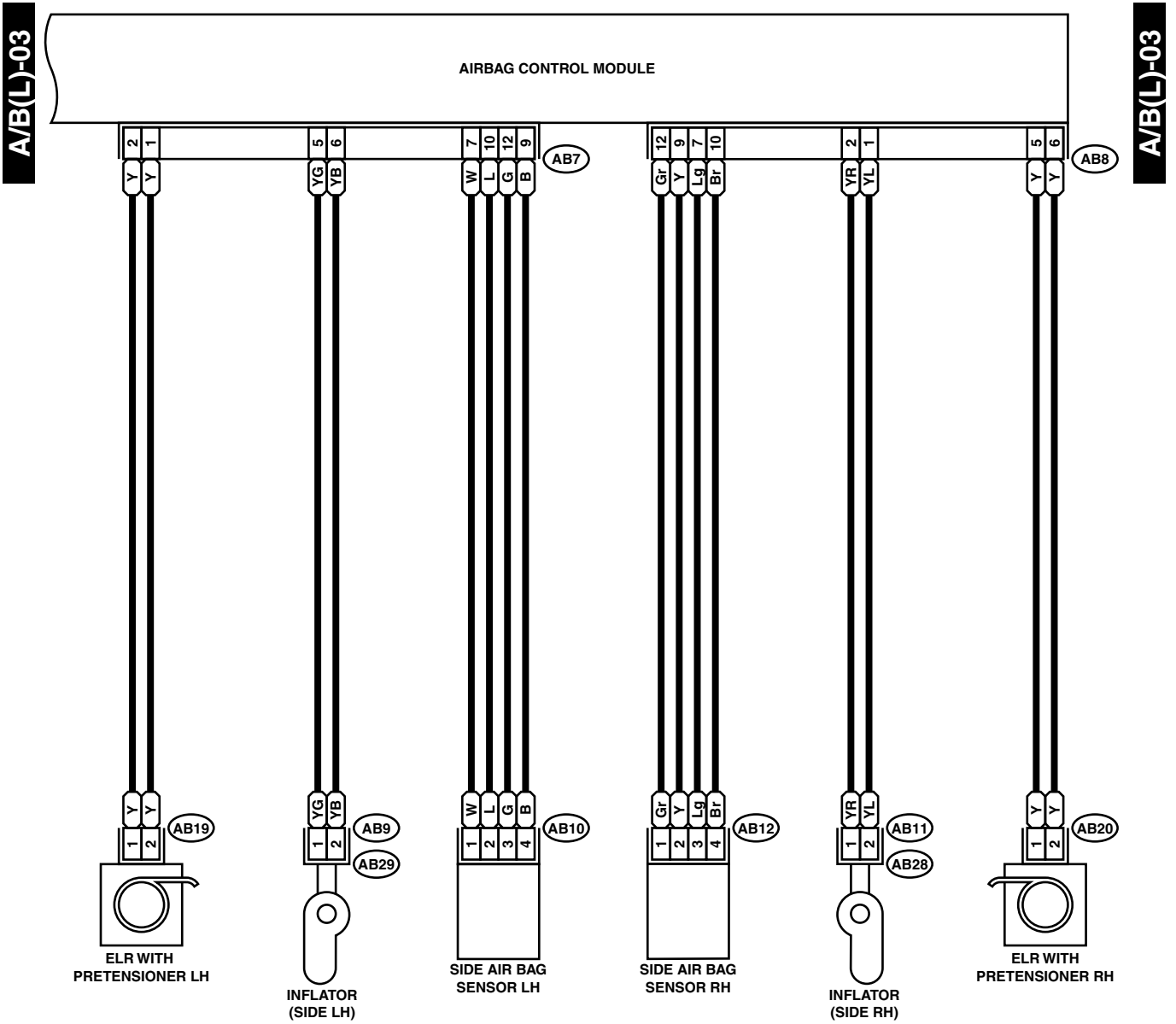
- AB15 (YELLOW)
- AB18 (YELLOW)
- 1 2



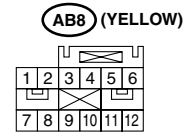
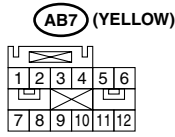
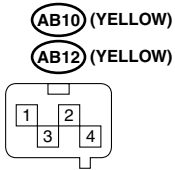
WI-02262

# Airbag System

WIRING SYSTEM



- AB9 (YELLOW)
- AB11 (YELLOW)
- AB19 (YELLOW)
- AB20 (YELLOW)

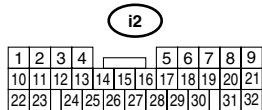
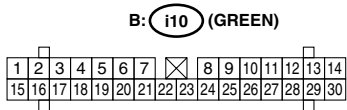
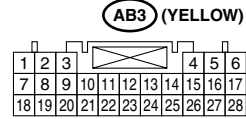
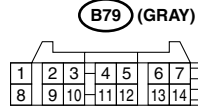
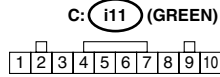
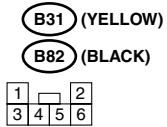
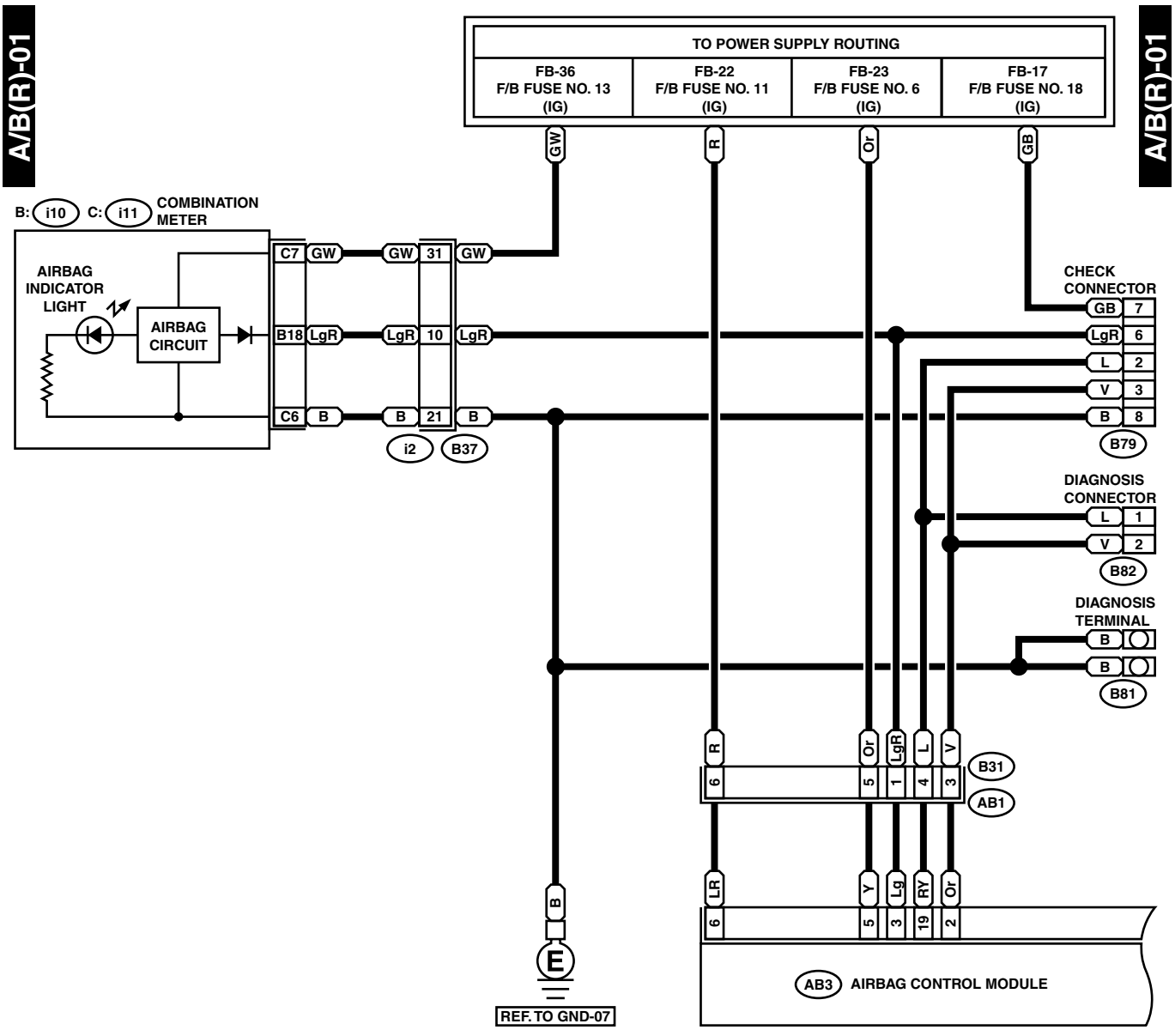


WI-02263

# Airbag System

WIRING SYSTEM

## 2. RHD MODEL



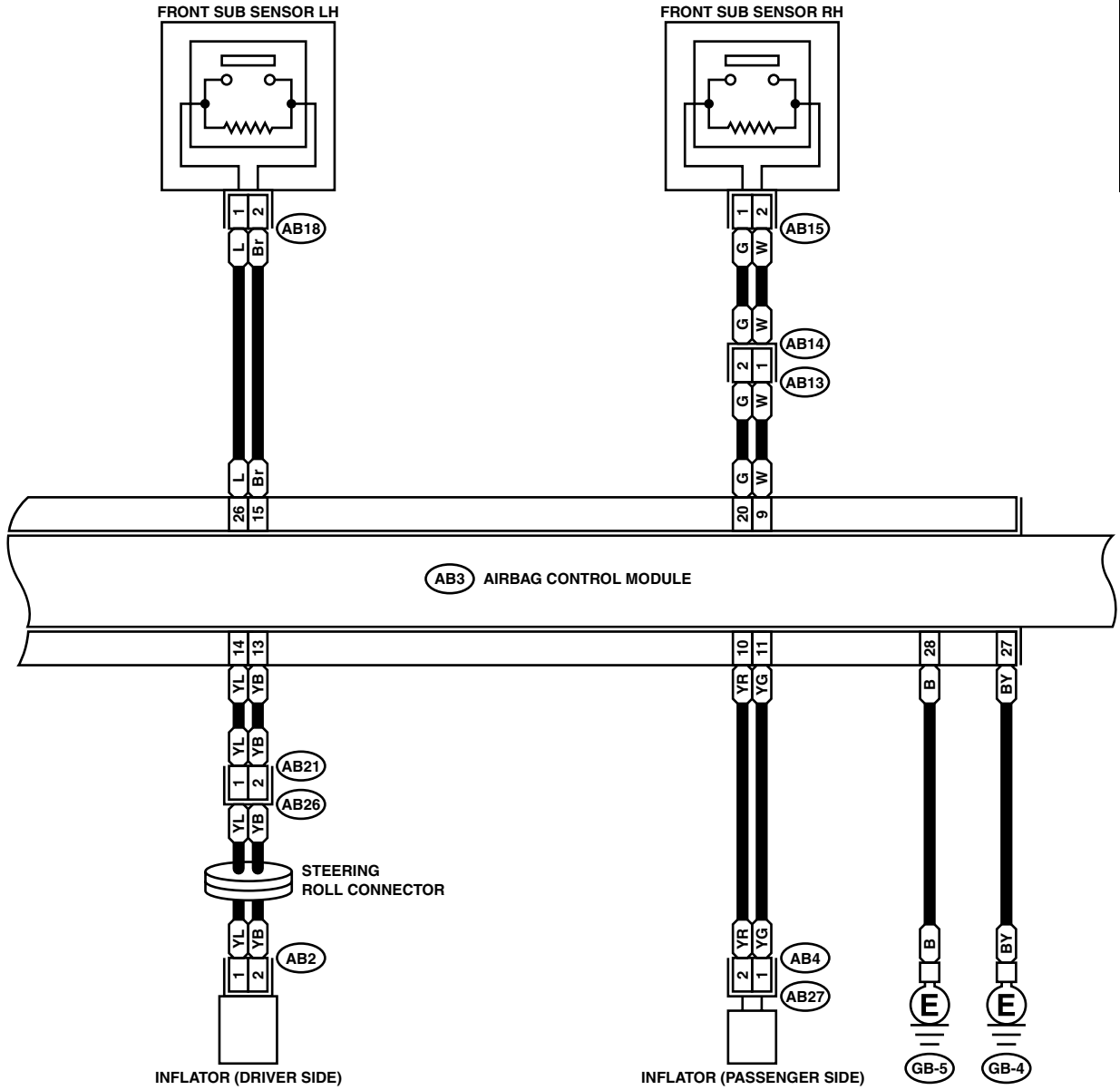
WI-02264

# Airbag System

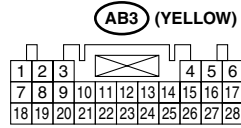
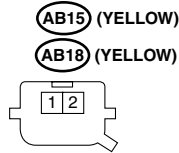
WIRING SYSTEM

A/B(R)-02

A/B(R)-02



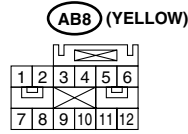
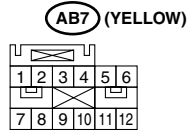
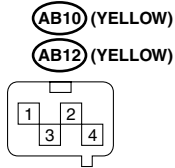
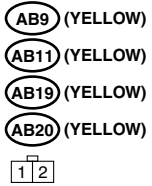
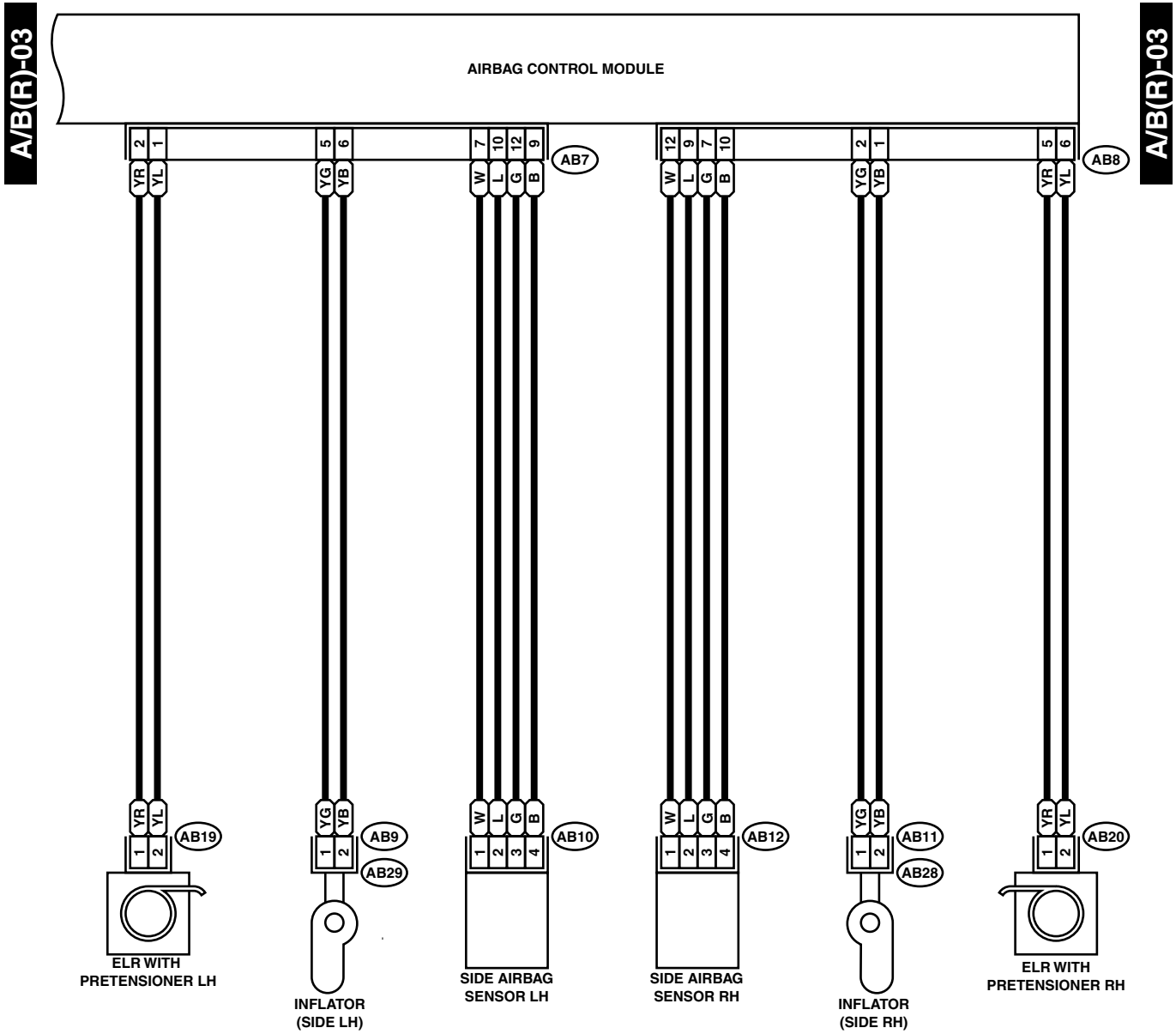
- AB4 (YELLOW)
- AB13 (YELLOW)
- AB21 (YELLOW)
- 1 2



WI-02265

# Airbag System

WIRING SYSTEM

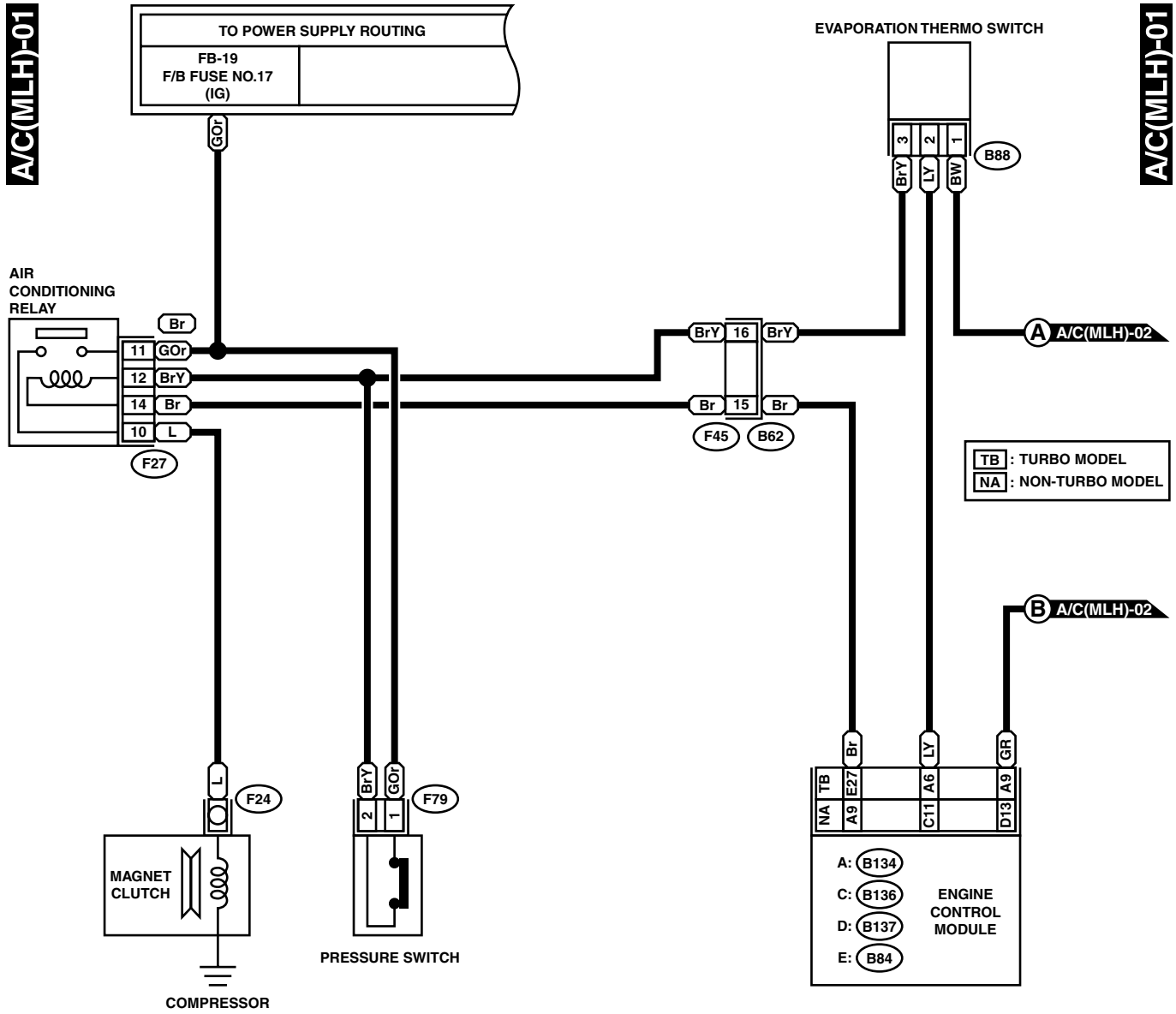


WI-02266

## 6. Air Conditioning System

### A: WIRING DIAGRAM

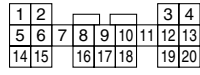
#### 1. MANUAL A/C LHD MODEL



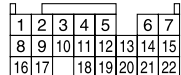
F79 (GRAY)      B88 (BROWN)



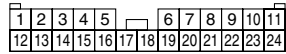
D: B137



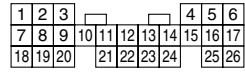
TB A: B134



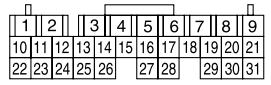
F45



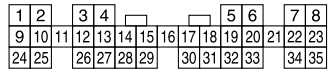
C: B136



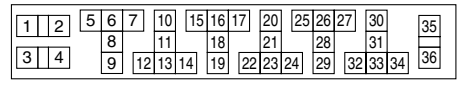
E: B84



NA A: B134



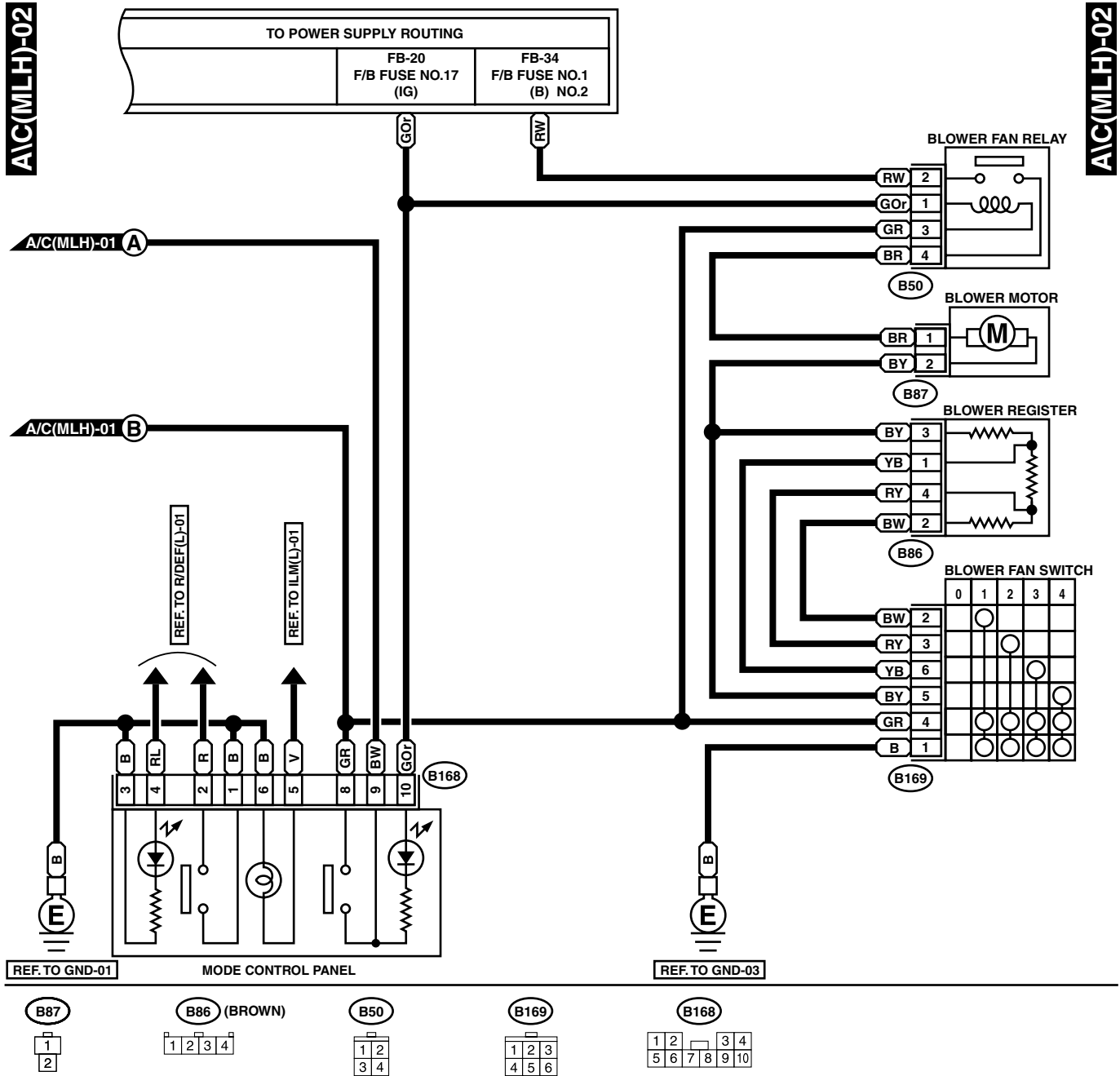
F27 (BLACK)



RELAY HOLDER

# Air Conditioning System

WIRING SYSTEM

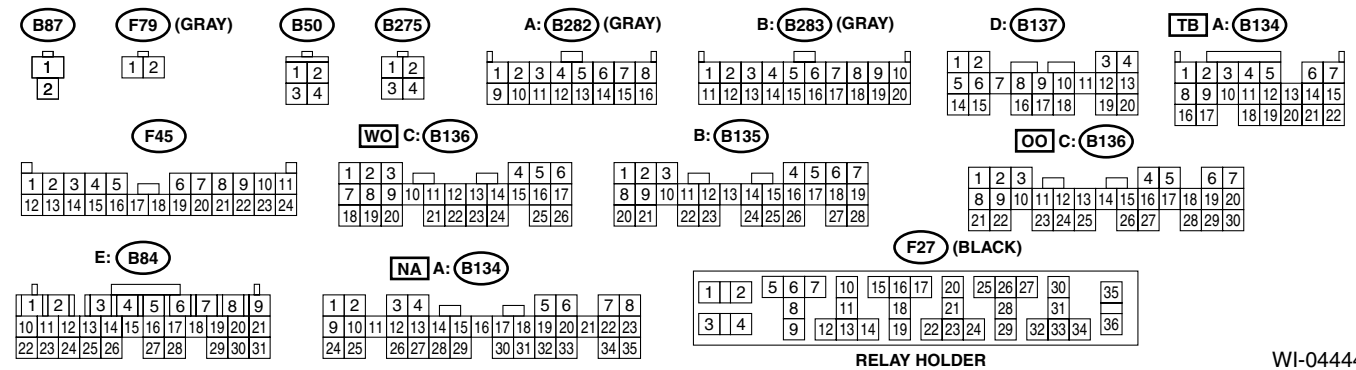
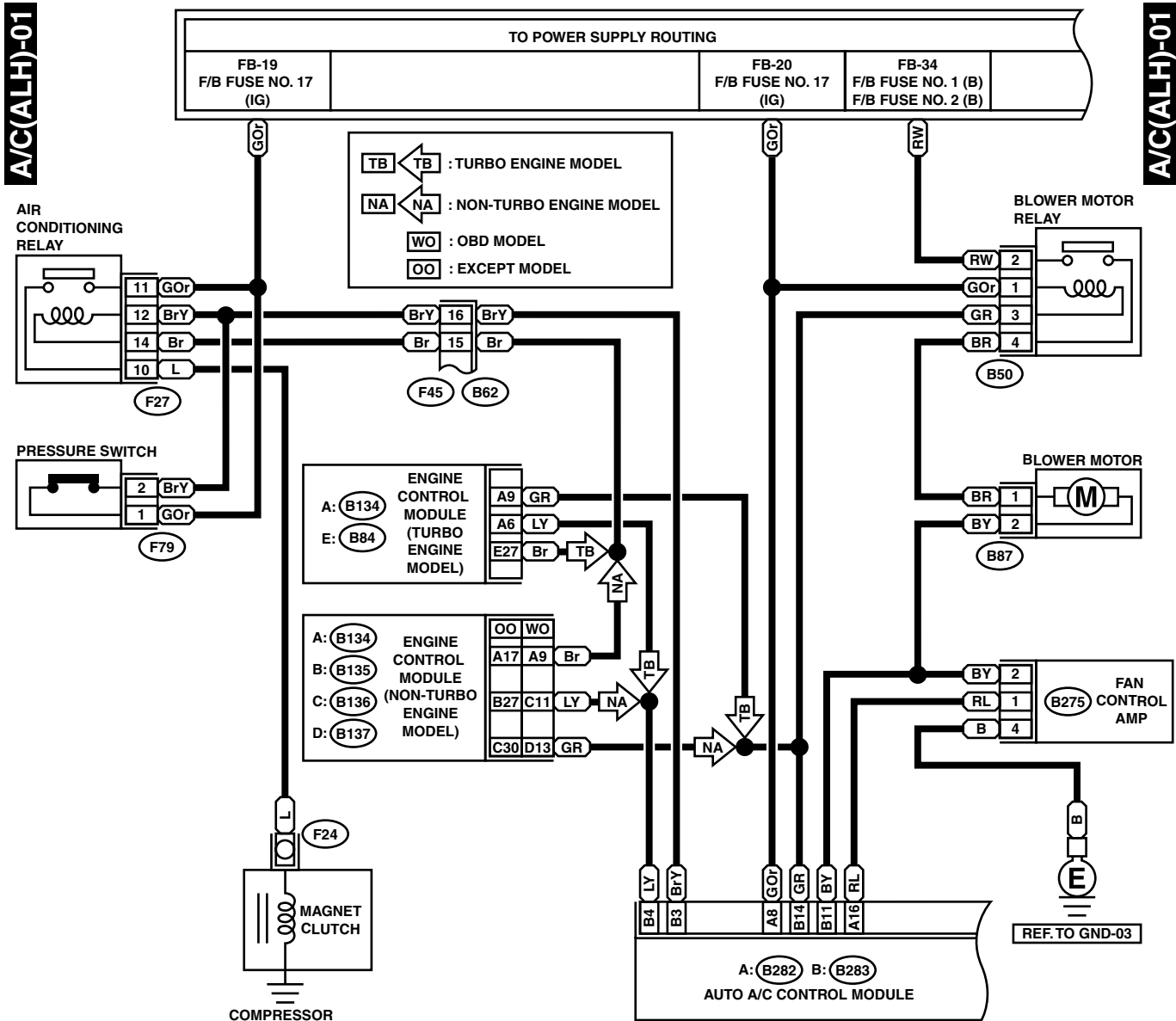


WI-04441

# Air Conditioning System

WIRING SYSTEM

## 2. AUTO A/C LHD MODEL



RELAY HOLDER

WI-04444

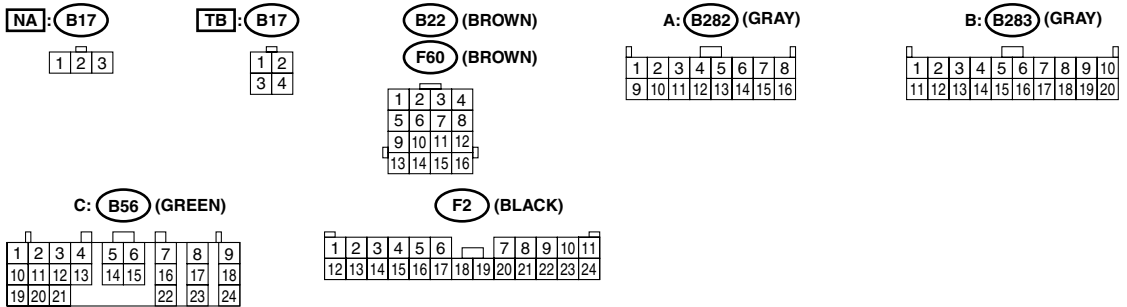
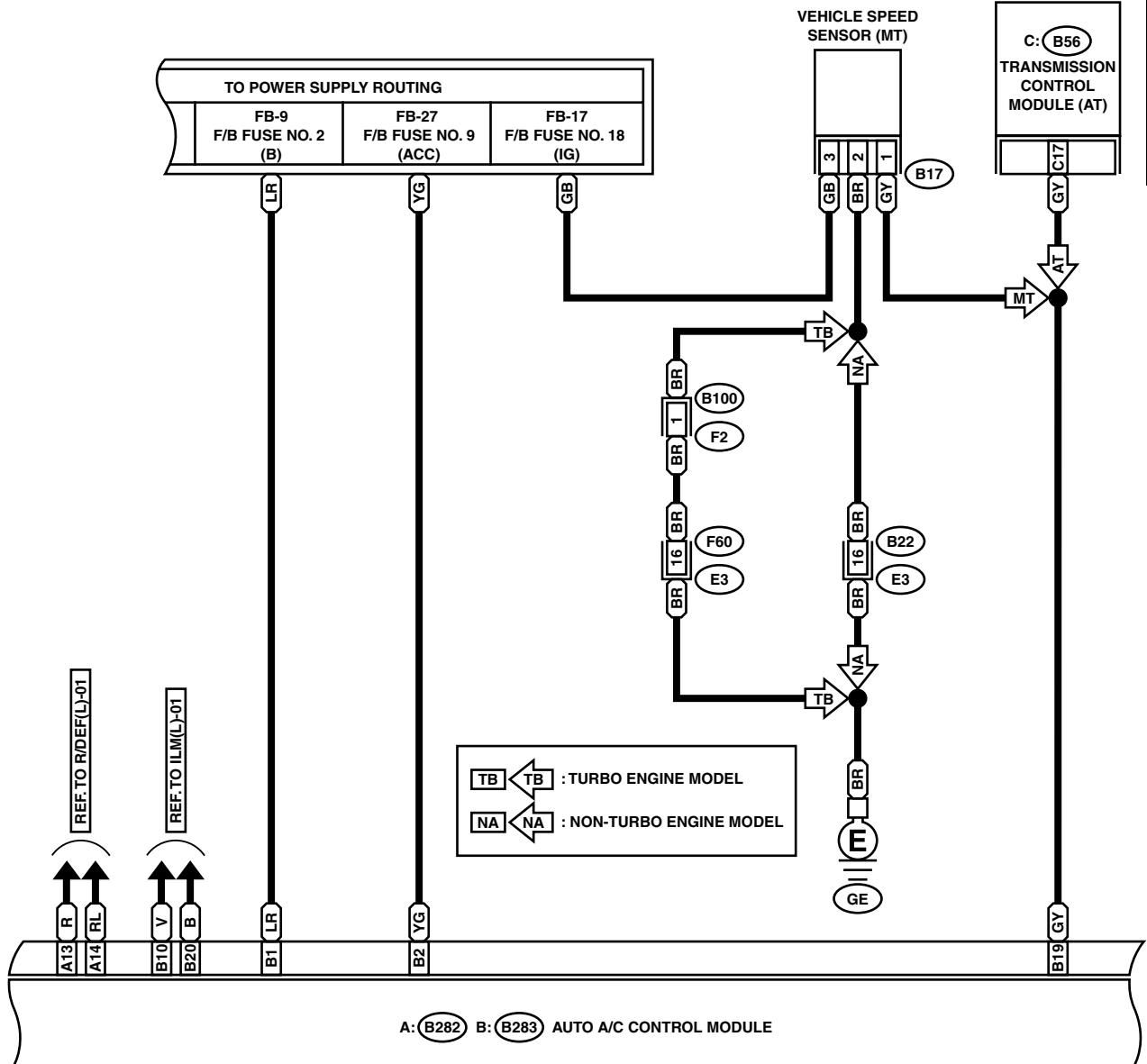


# Air Conditioning System

WIRING SYSTEM

**A/C(ALH)-02**

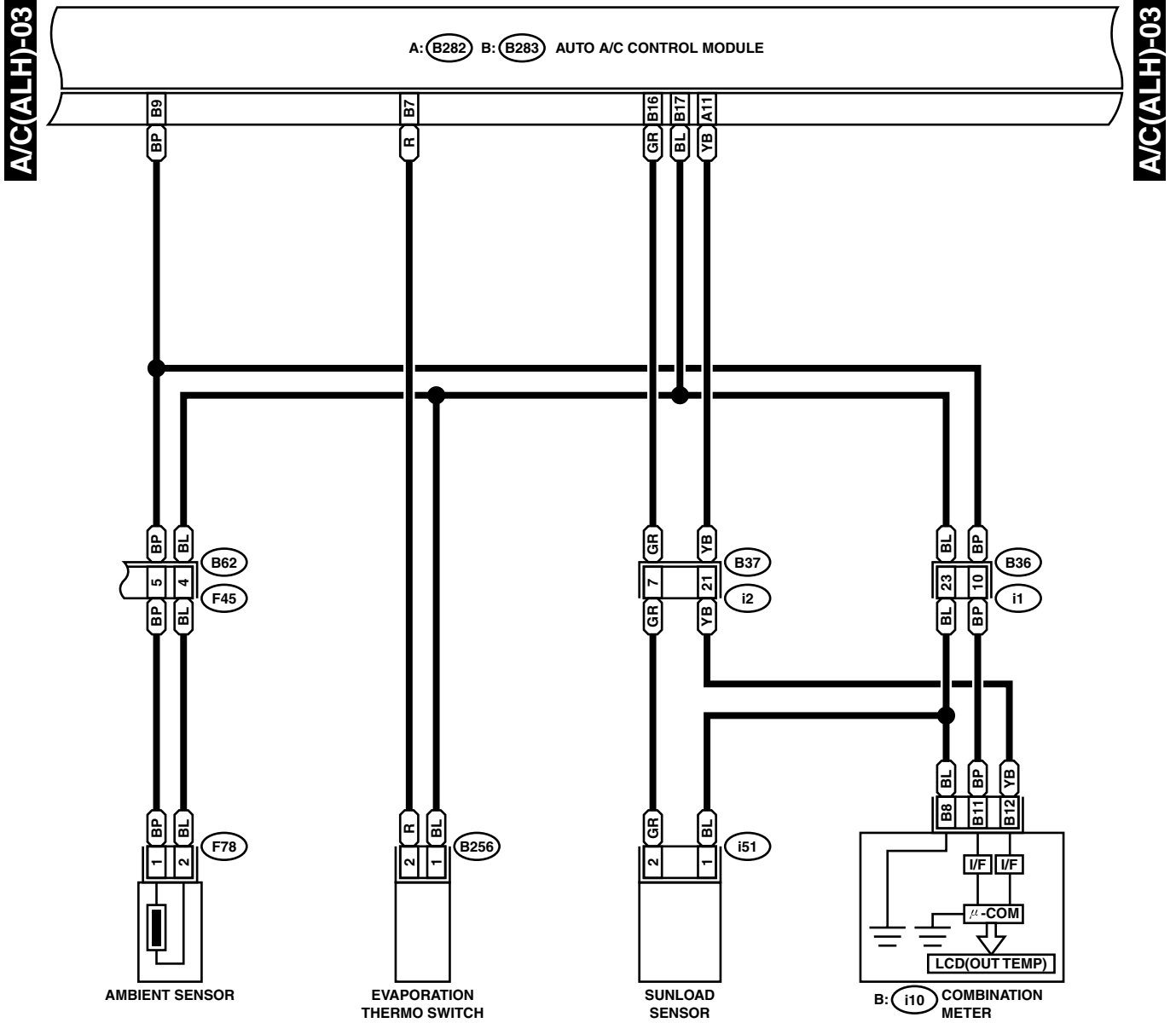
**A/C(ALH)-02**



WI-02272

# Air Conditioning System

WIRING SYSTEM



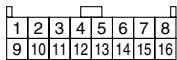
(B256)

(F78) (BLACK)

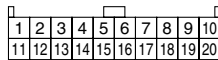
(i51)

1 2

A: (B282) (GRAY)

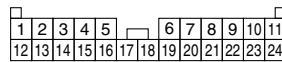


B: (B283) (GRAY)

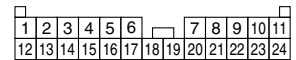


(F45)

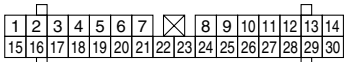
(i2)



(i1) (BROWN)



B: (i10) (GREEN)



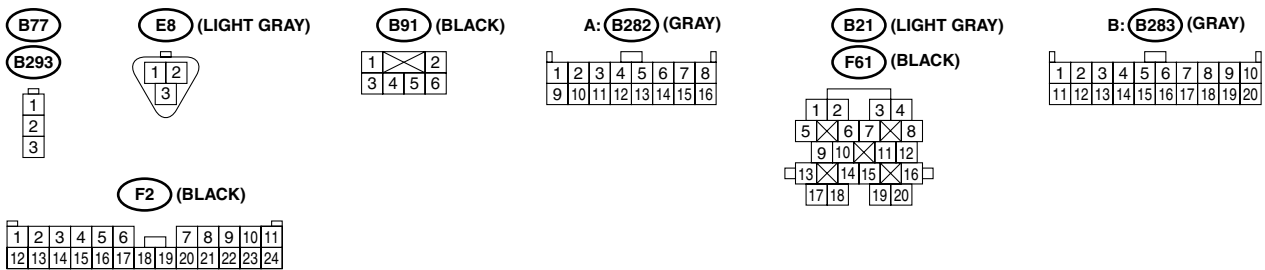
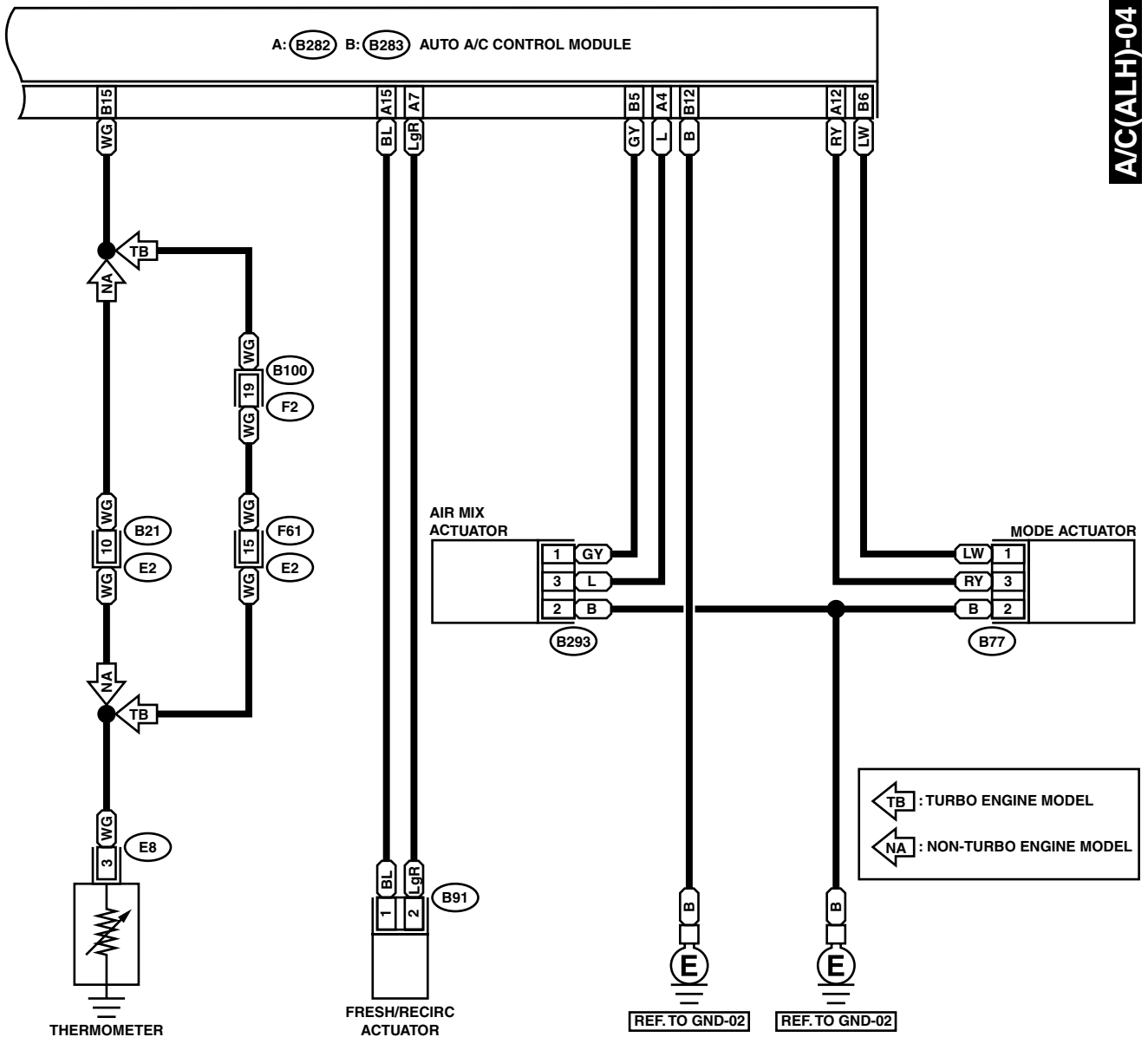
WI-02273

# Air Conditioning System

WIRING SYSTEM

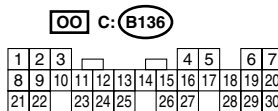
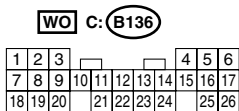
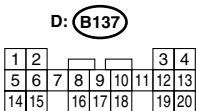
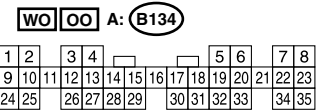
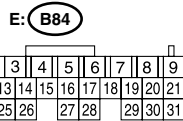
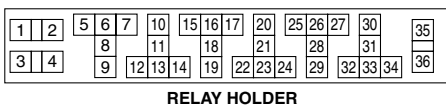
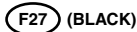
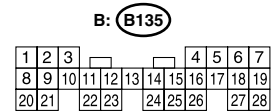
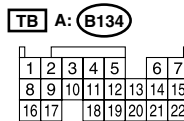
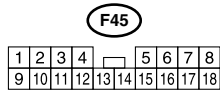
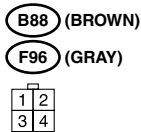
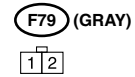
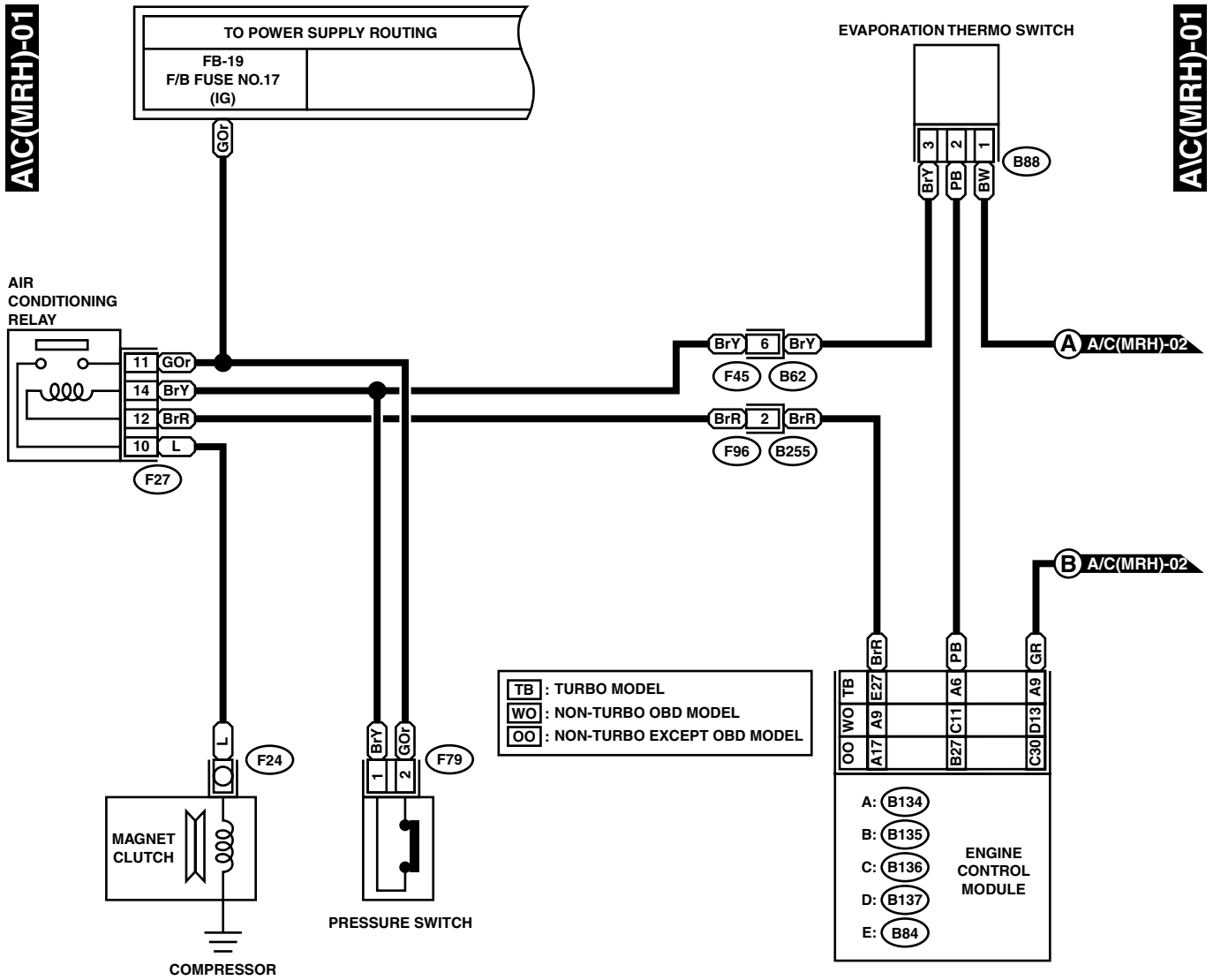
A/C(ALH)-04

A/C(ALH)-04



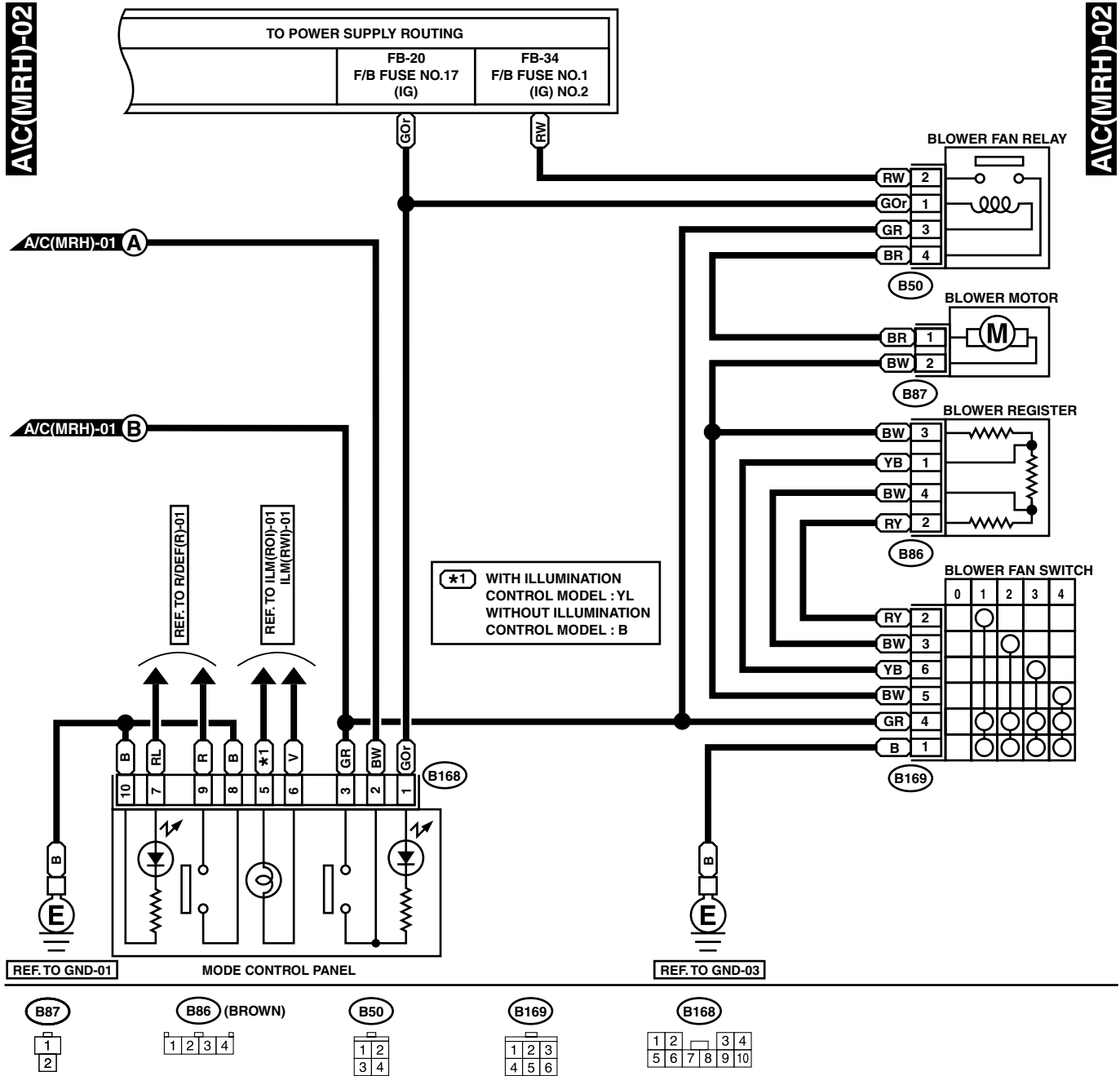
WI-02274

## 3. MANUAL A/C RHD MODEL



# Air Conditioning System

WIRING SYSTEM



WI-04443

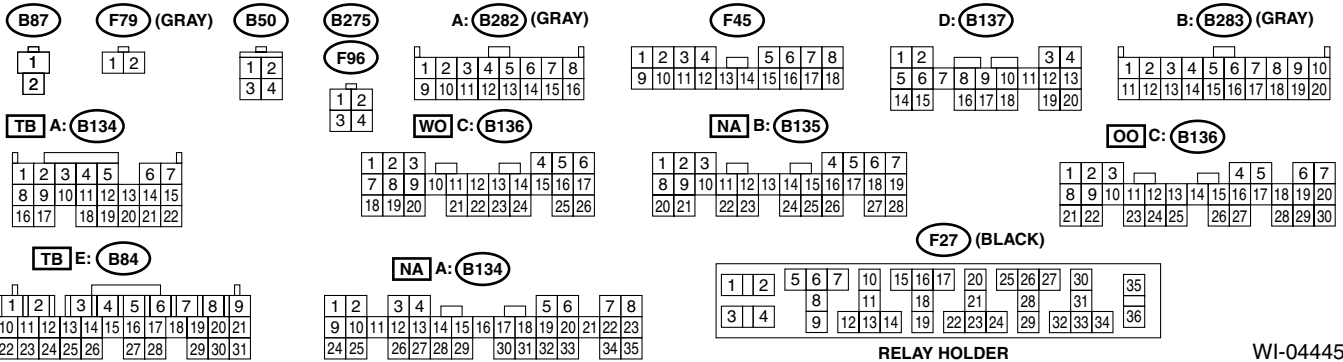
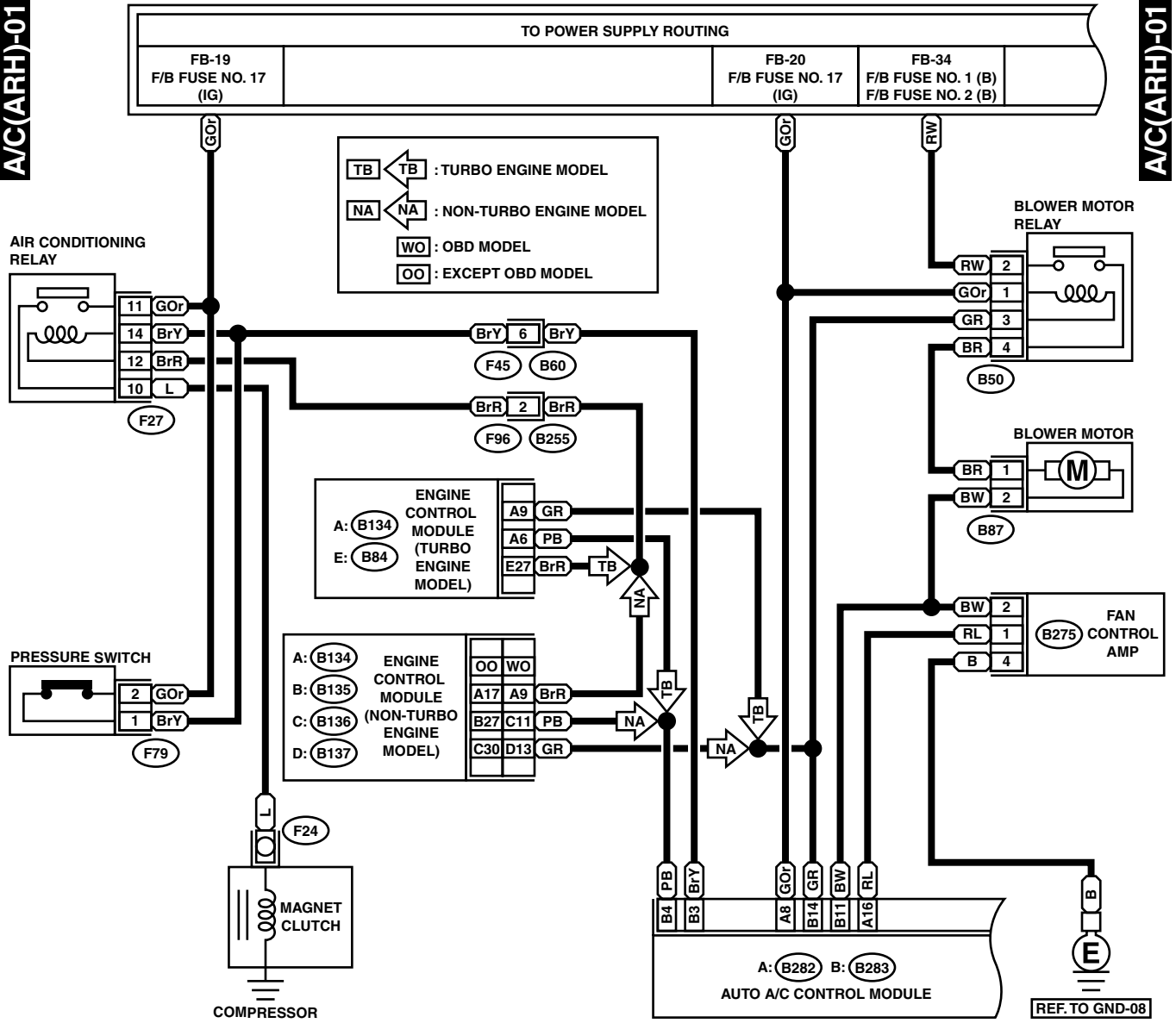
# Air Conditioning System

WIRING SYSTEM

## 4. AUTO A/C RHD MODEL

A/C(ARH)-01

A/C(ARH)-01



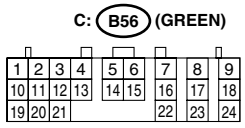
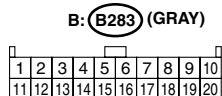
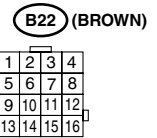
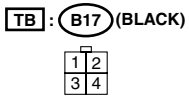
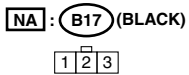
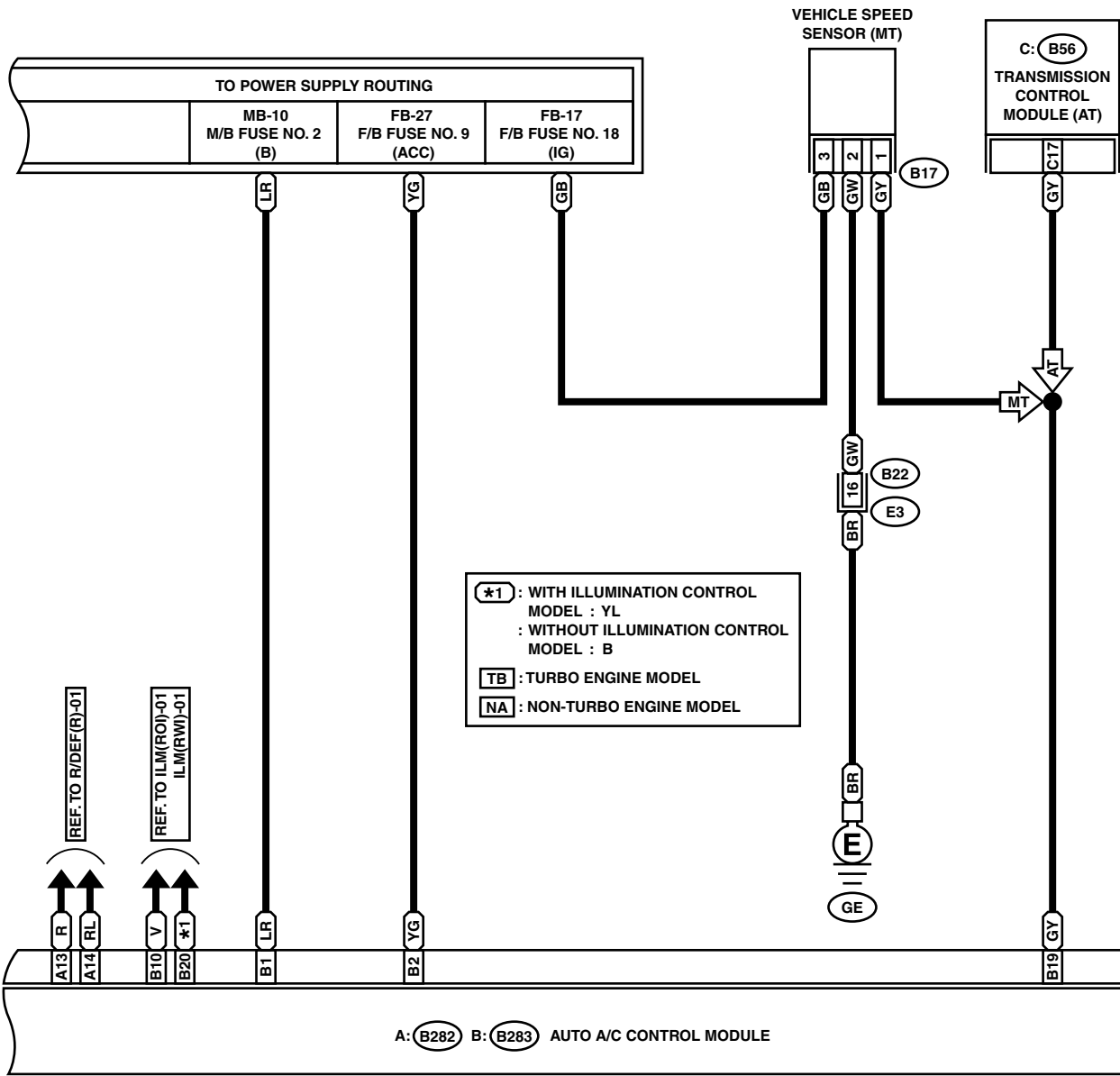
WI-04445

# Air Conditioning System

WIRING SYSTEM

**A/C(ARH)-02**

**A/C(ARH)-02**



WI-02276



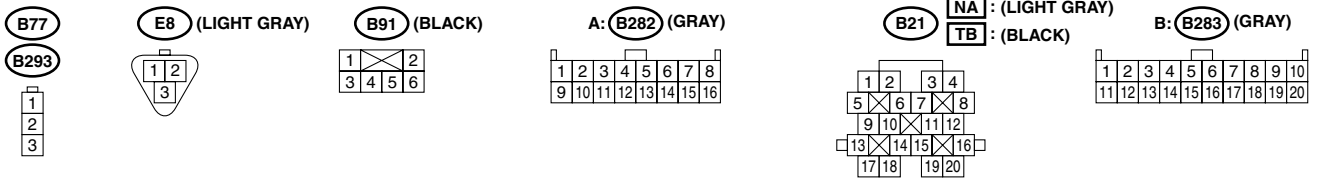
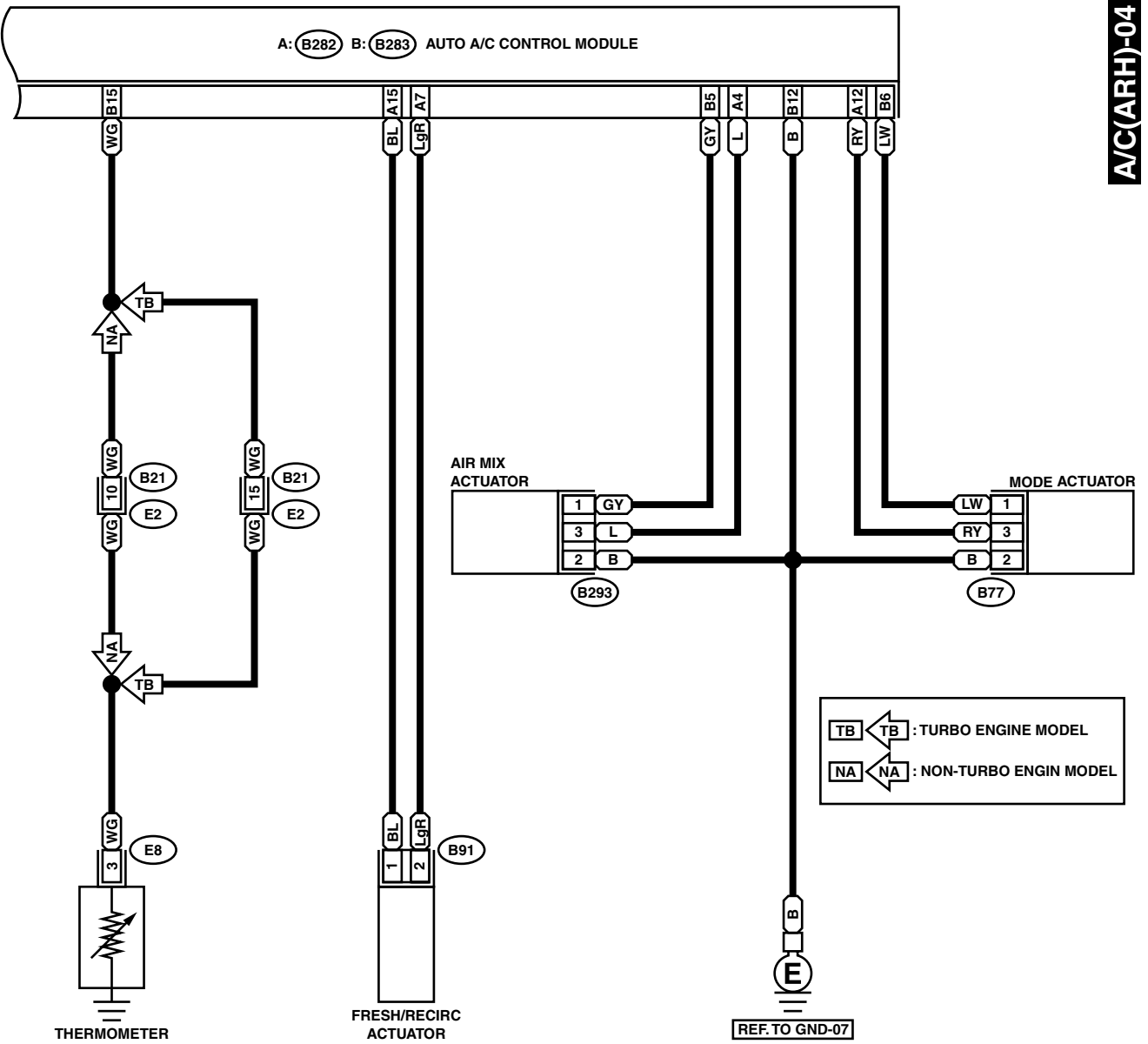


# Air Conditioning System

WIRING SYSTEM

A/C(ARH)-04

A/C(ARH)-04

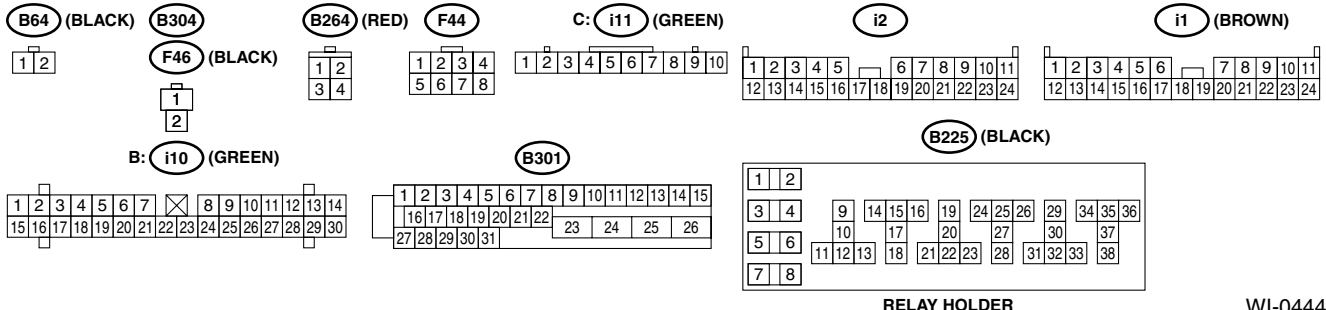
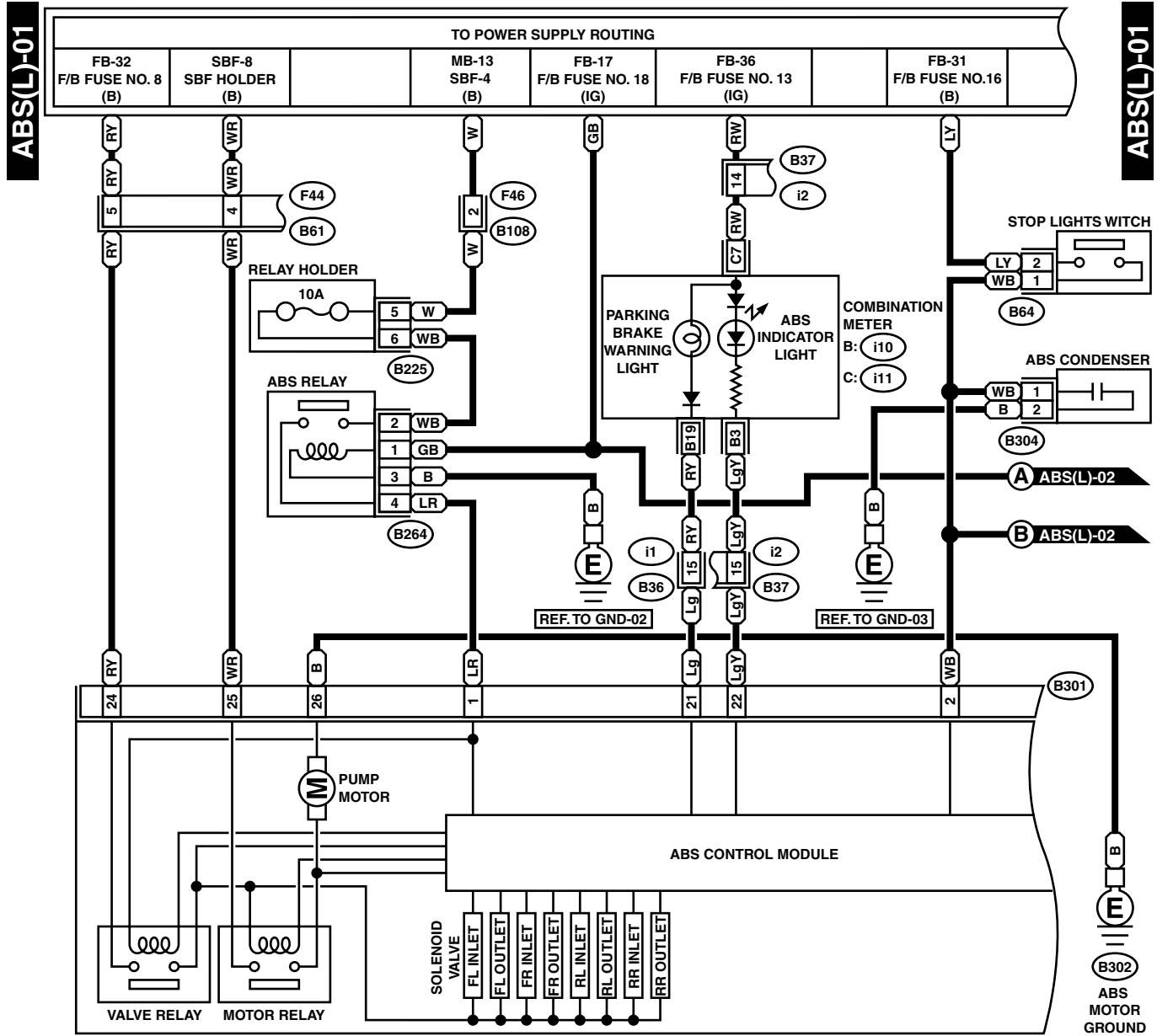


WI-02278

## 7. Anti-lock Brake System

### A: WIRING DIAGRAM

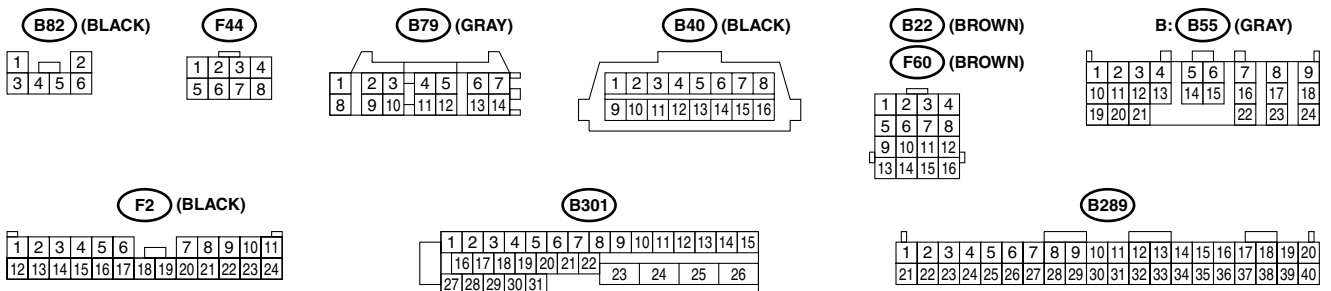
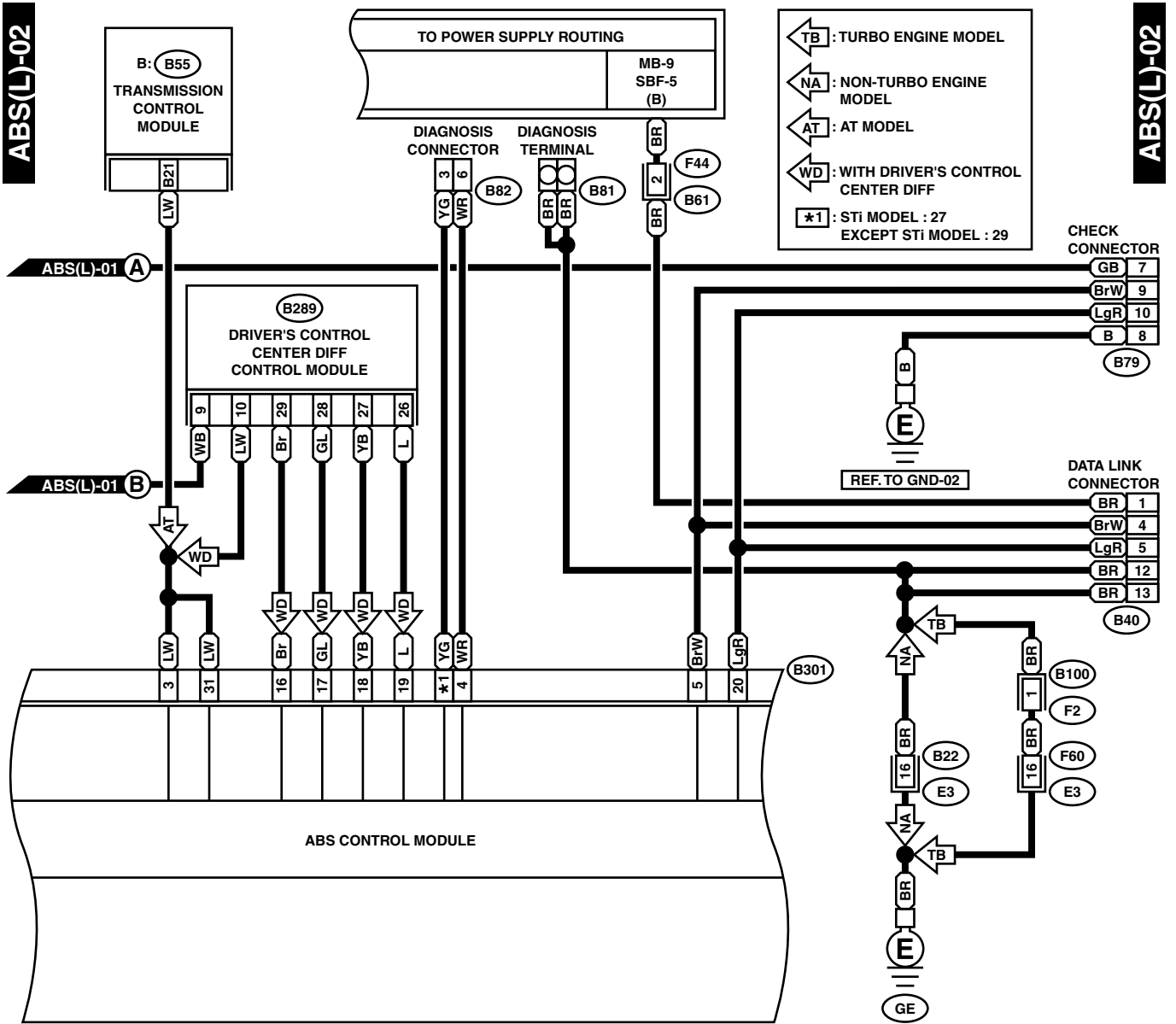
#### 1. LHD MODEL



WI-04446

# Anti-lock Brake System

WIRING SYSTEM



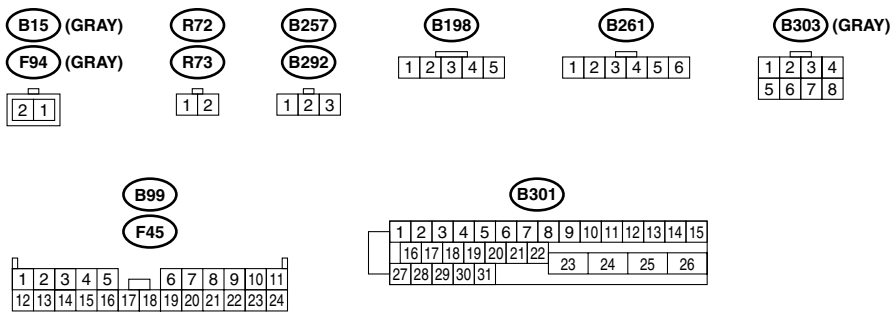
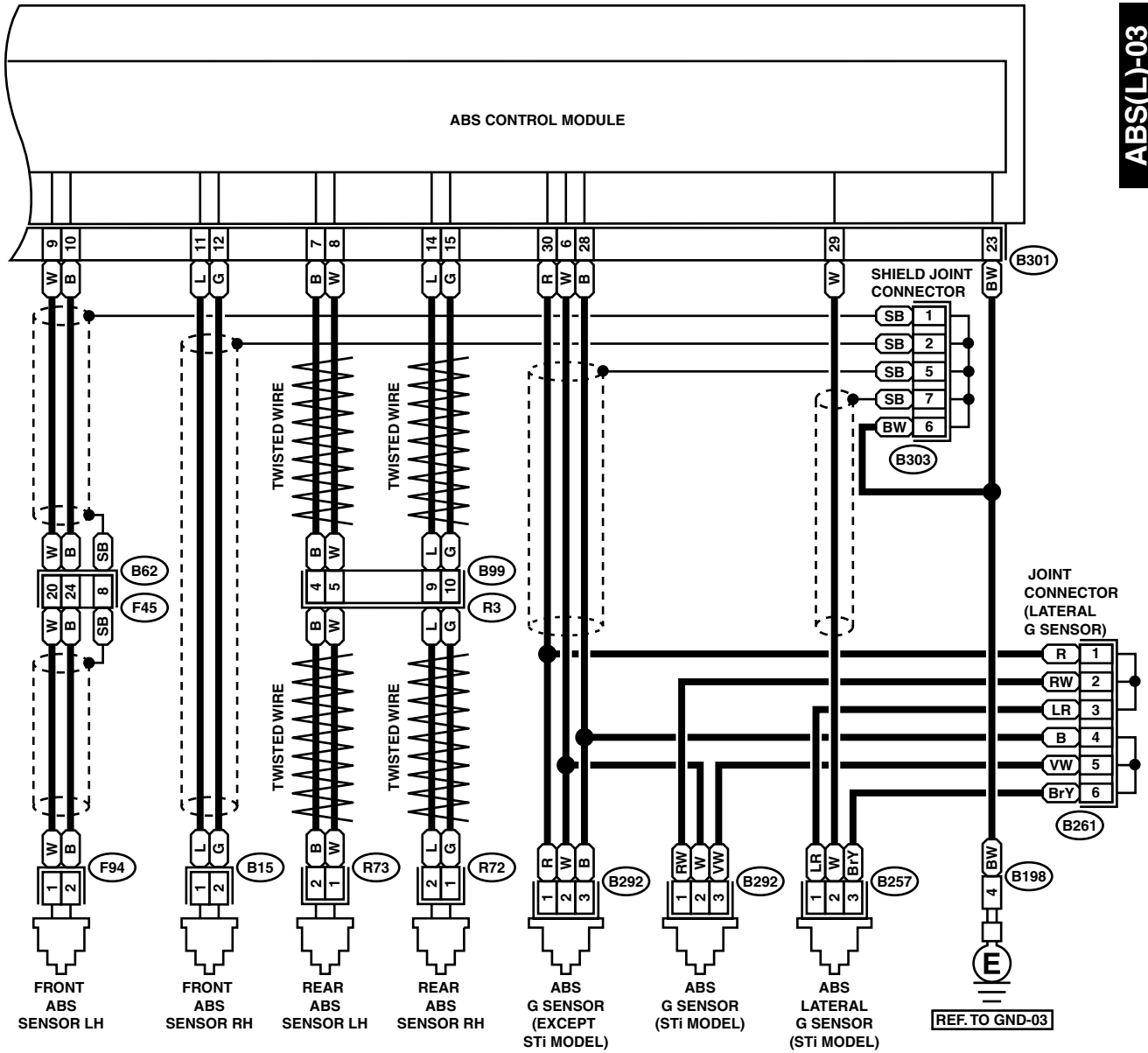
WI-04447

# Anti-lock Brake System

WIRING SYSTEM

ABS(L)-03

ABS(L)-03

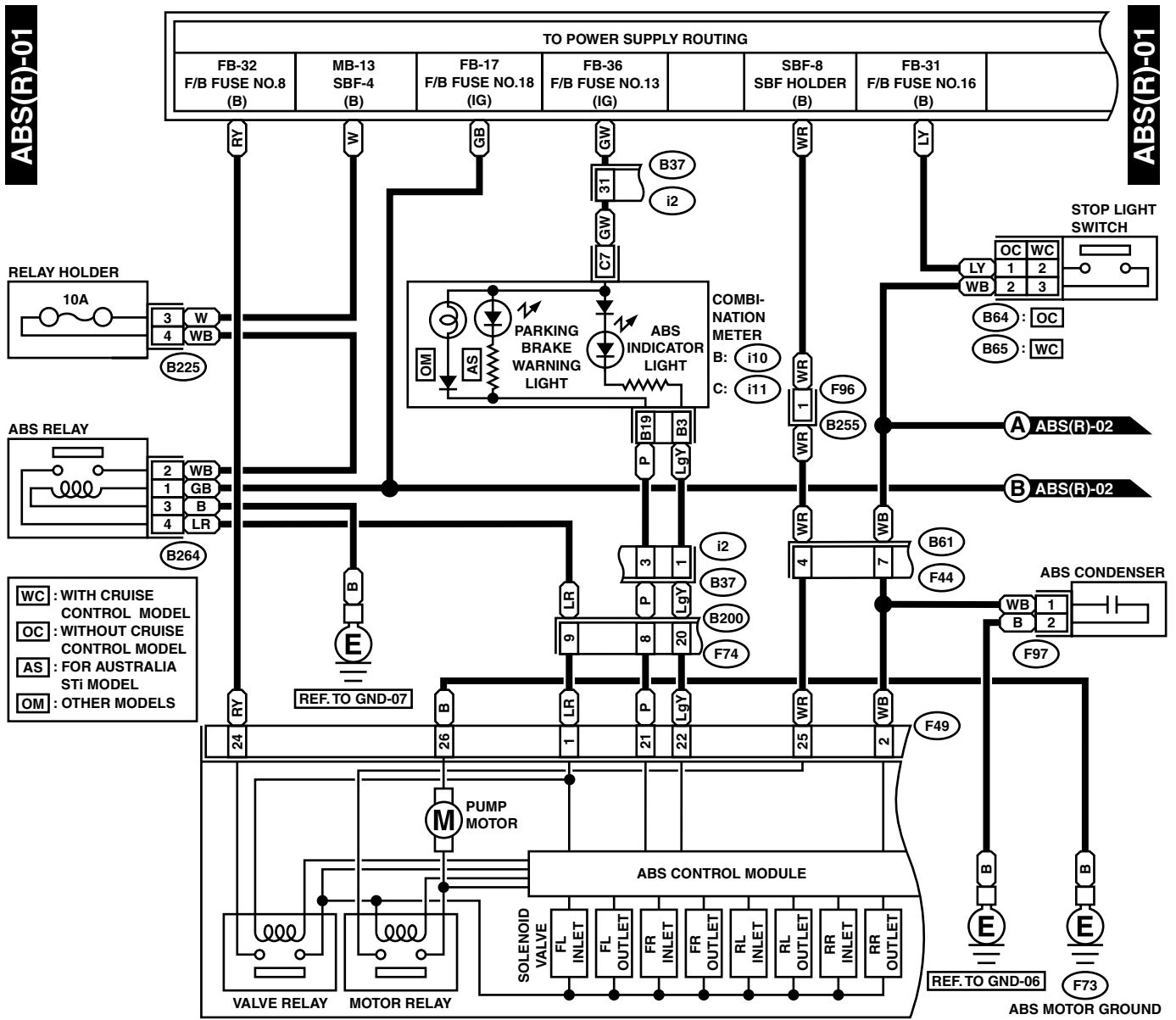


WI-02281

# Anti-lock Brake System

## WIRING SYSTEM

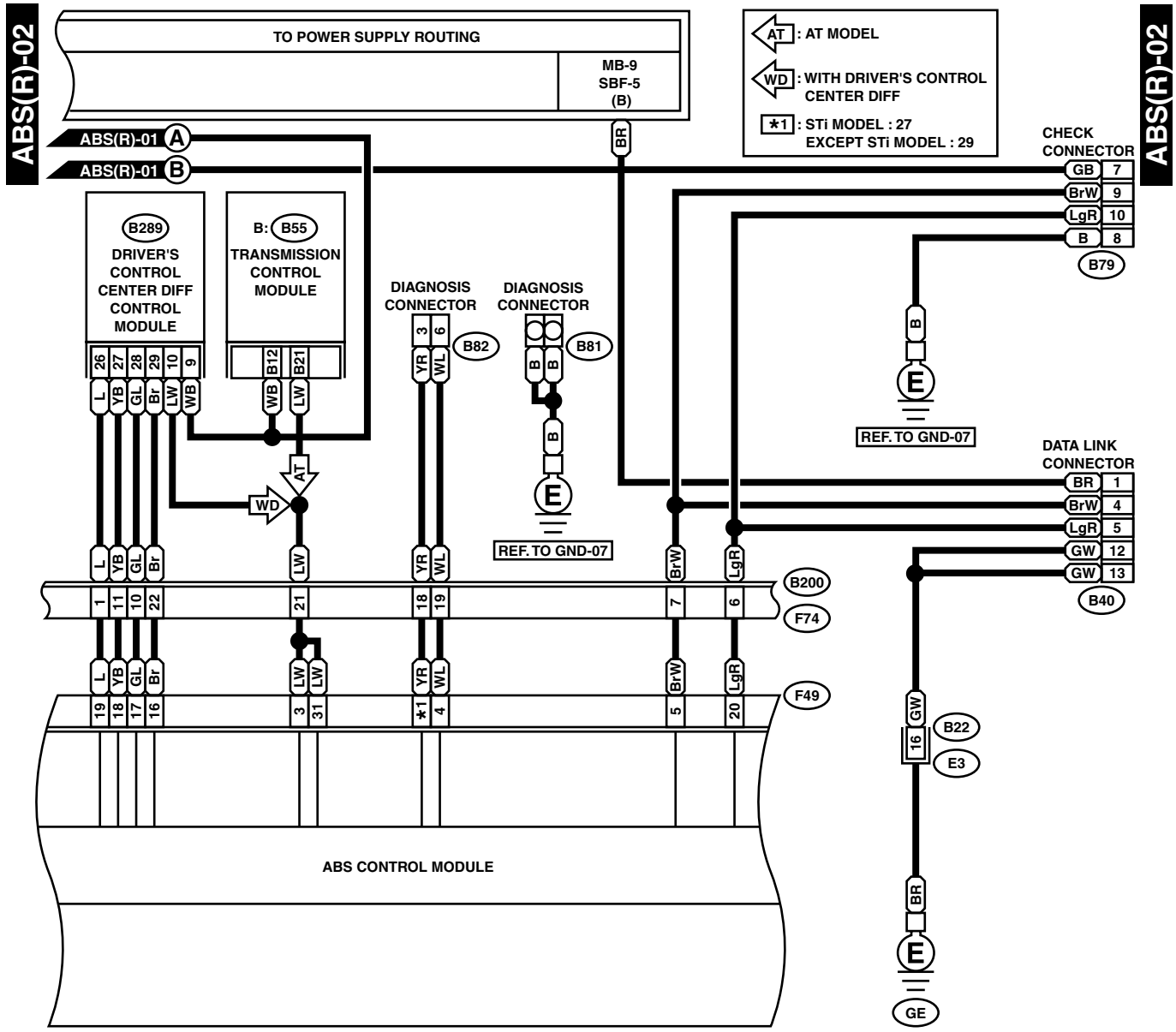
### 2. RHD MODEL



WI-04543

# Anti-lock Brake System

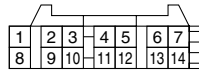
WIRING SYSTEM



**B82 (BLACK)**



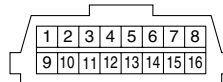
**B79 (GRAY)**



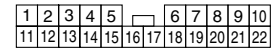
**B22 (BROWN)**



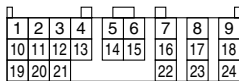
**B40 (BLACK)**



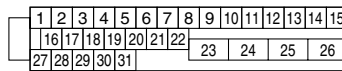
**F74 (BLACK)**



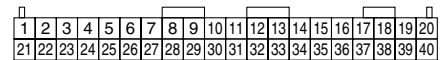
**B: B55 (GRAY)**



**F49 (BLACK)**



**B289**



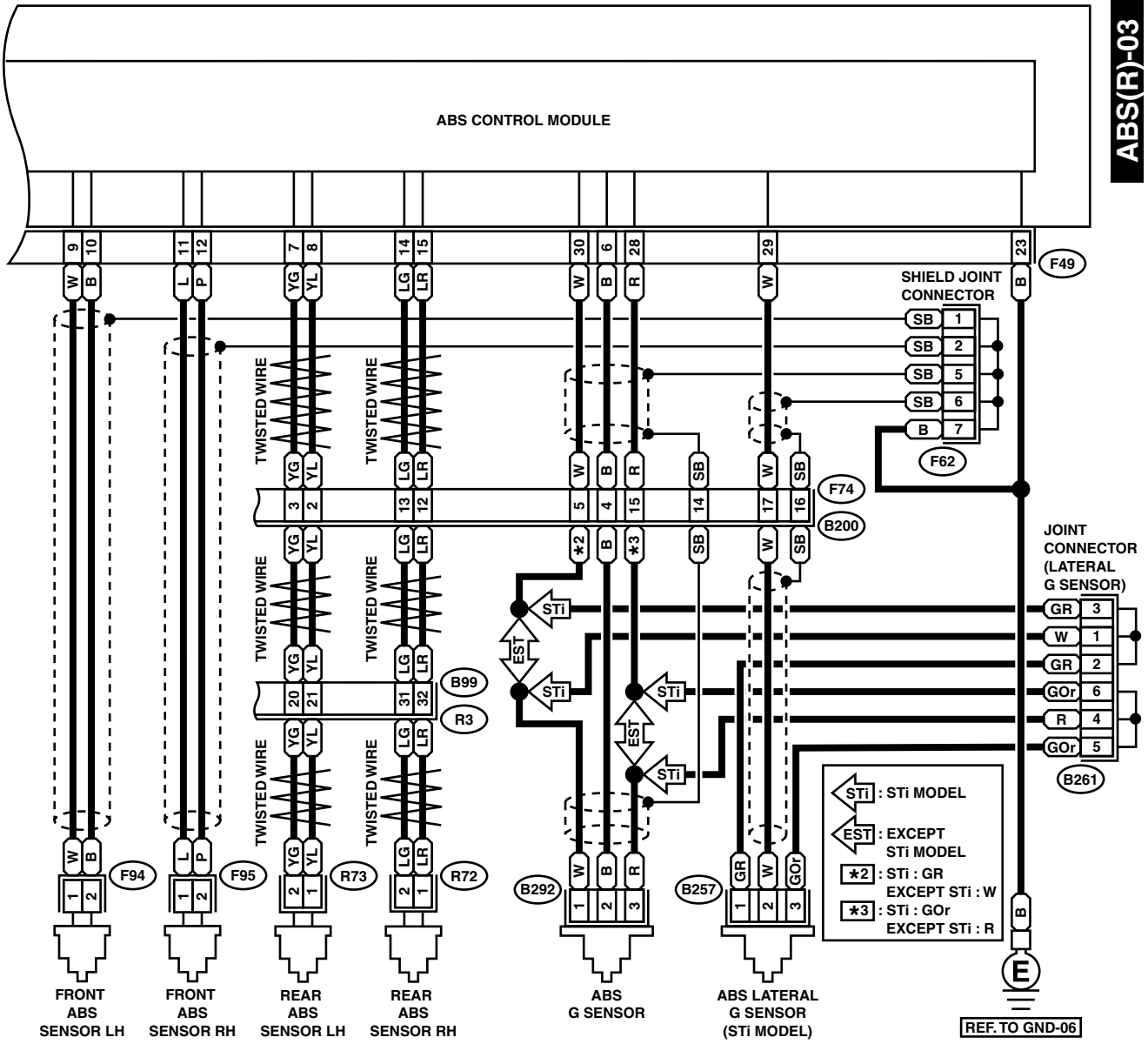
WI-04448

# Anti-lock Brake System

WIRING SYSTEM

ABS(R)-03

ABS(R)-03



F94 (GRAY)

F95 (GRAY)

2	1
---	---

R72

R73

1	2
---	---

B257 (BLACK)

B292 (BLACK)

1	2	3
---	---	---

B261

1	2	3	4	5	6
---	---	---	---	---	---

F62 (GRAY)

1	2	3	4
5	6	7	8

F74 (BLACK)

1	2	3	4	5		6	7	8	9	10	
11	12	13	14	15	16	17	18	19	20	21	22

F49 (BLACK)

1	2	3	4	5	6	7	8	9	10	11	12	13	14	15
16	17	18	19	20	21	22		23	24	25	26			
27	28	29	30	31										

B99

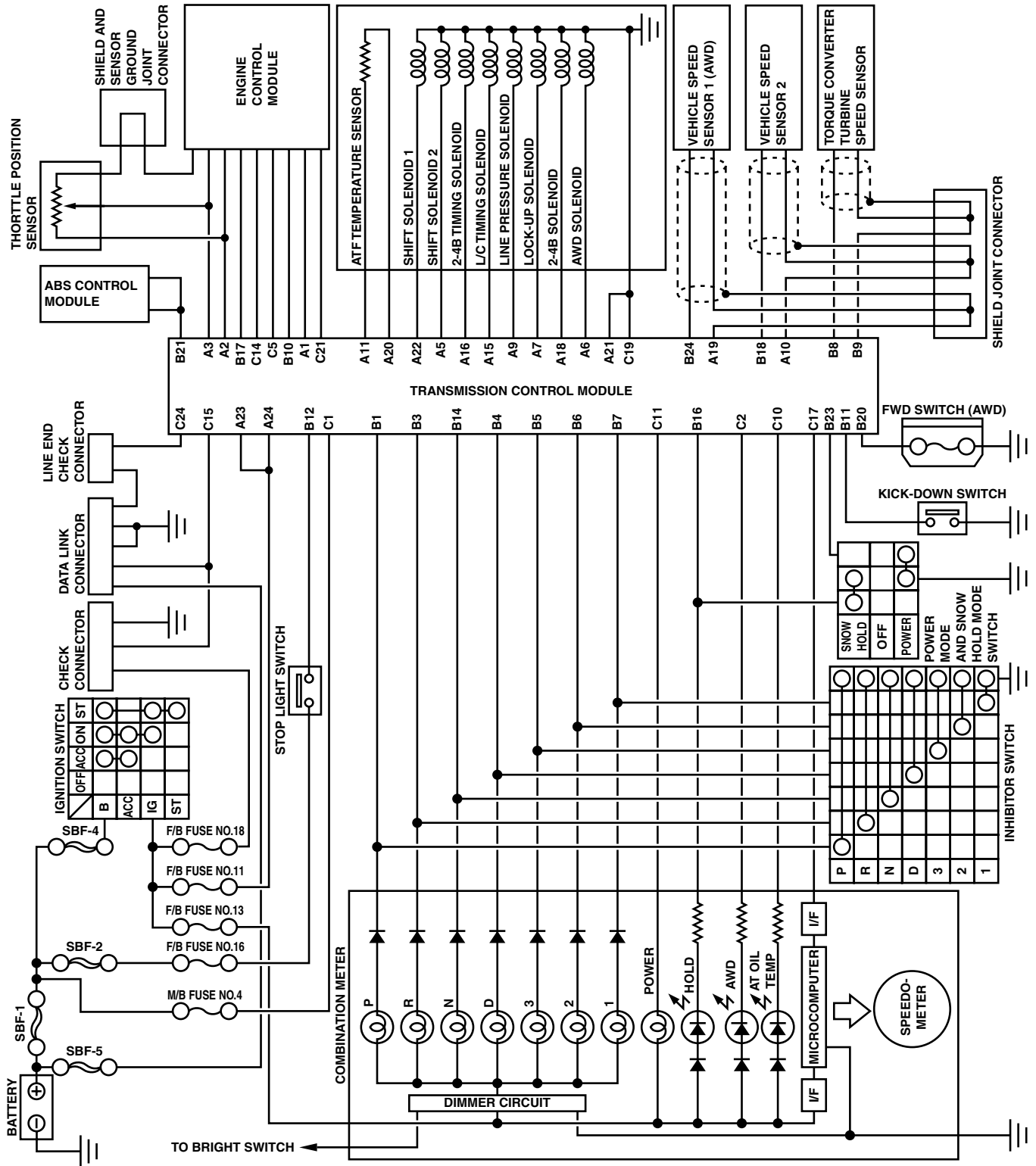
1	2	3	4		5	6	7	8	9		
10	11	12	13	14	15	16	17	18	19	20	21
22	23	24	25	26	27	28	29	30	31	32	

WI-04449

## 8. AT Control System

### A: WIRING DIAGRAM

#### 1. LHD MODEL



WI-04450

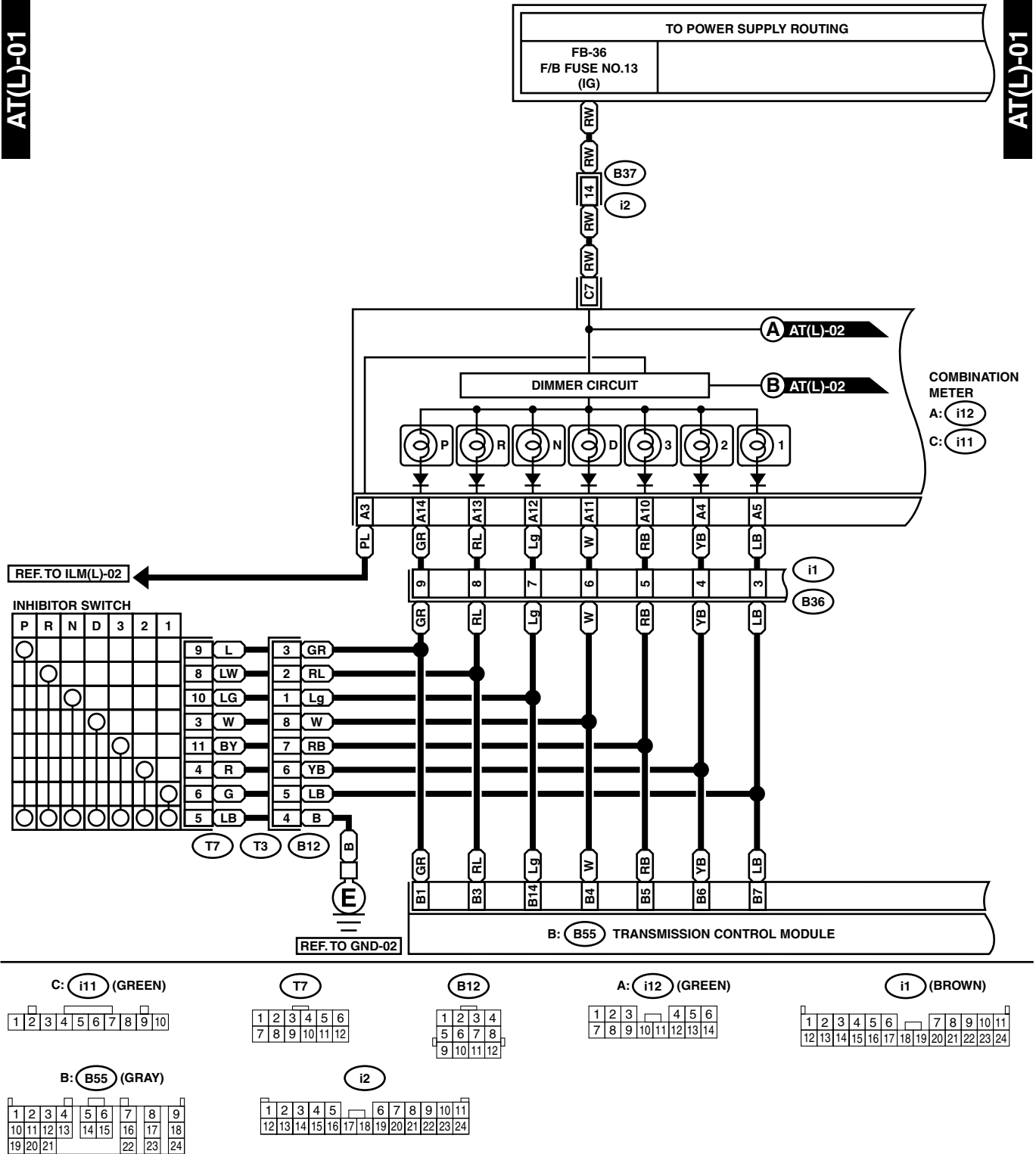


# AT Control System

WIRING SYSTEM

AT(L)-01

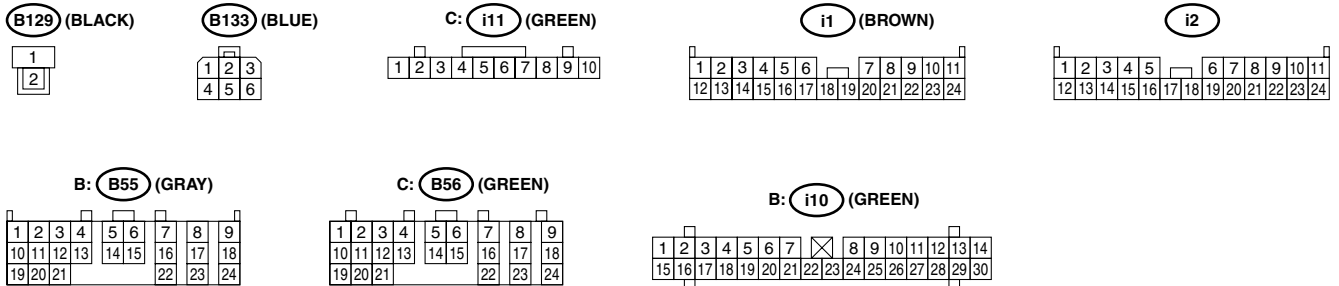
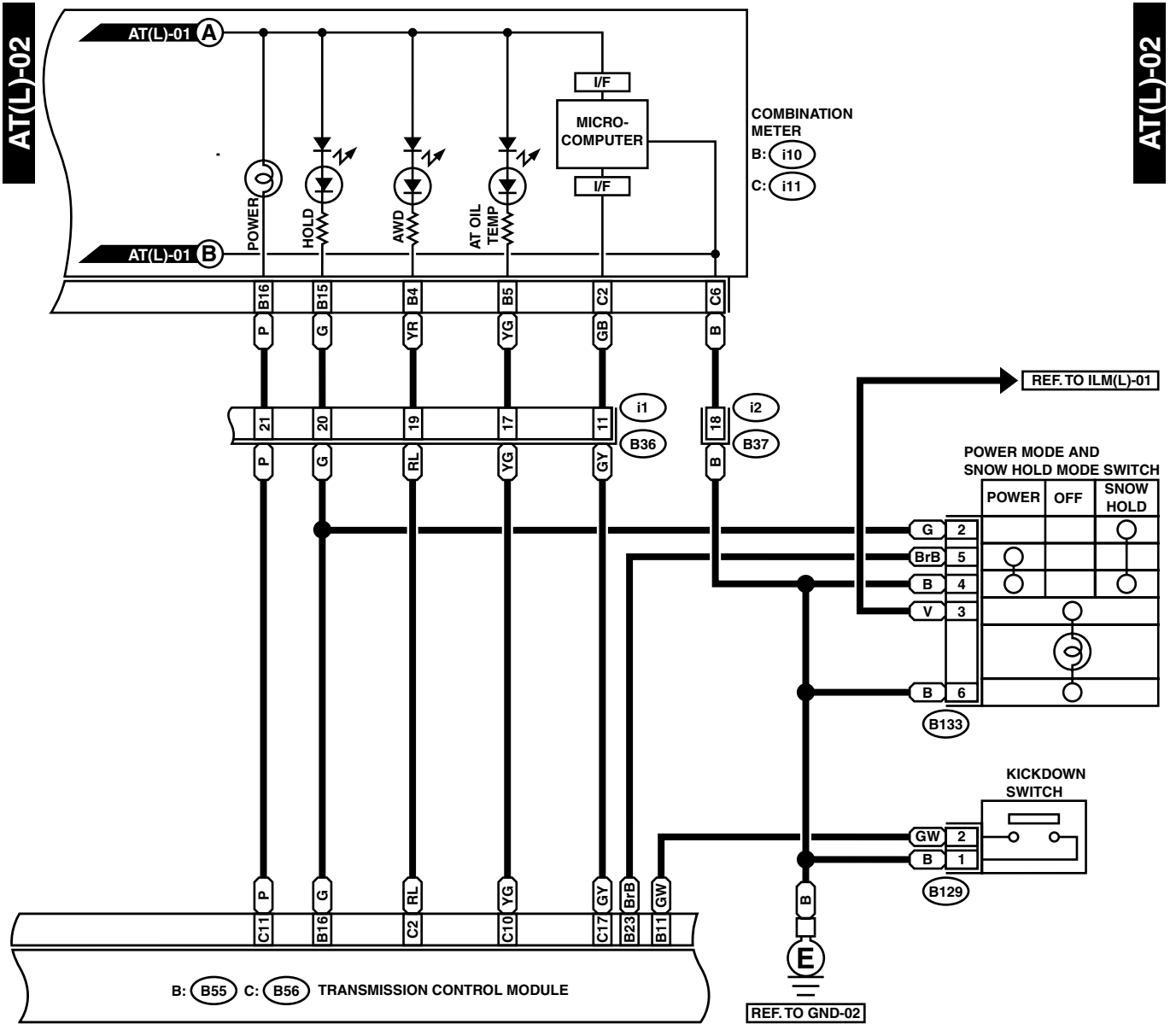
AT(L)-01



WI-02285

# AT Control System

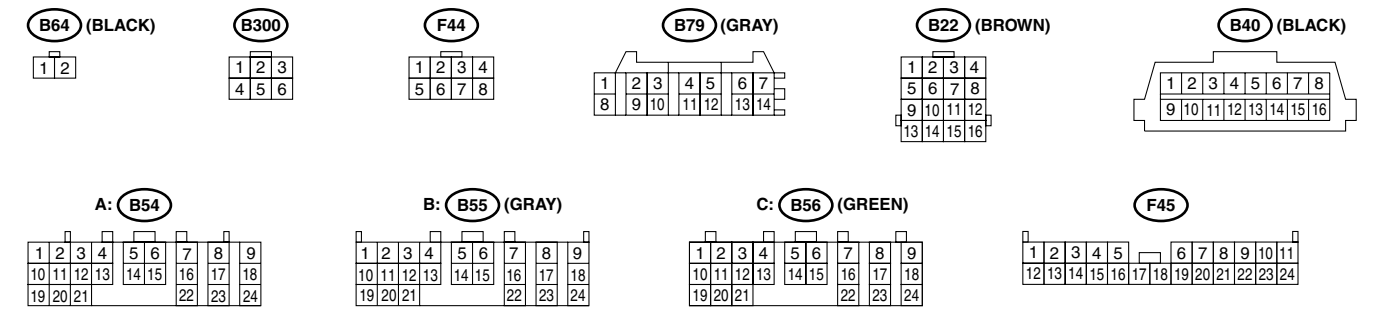
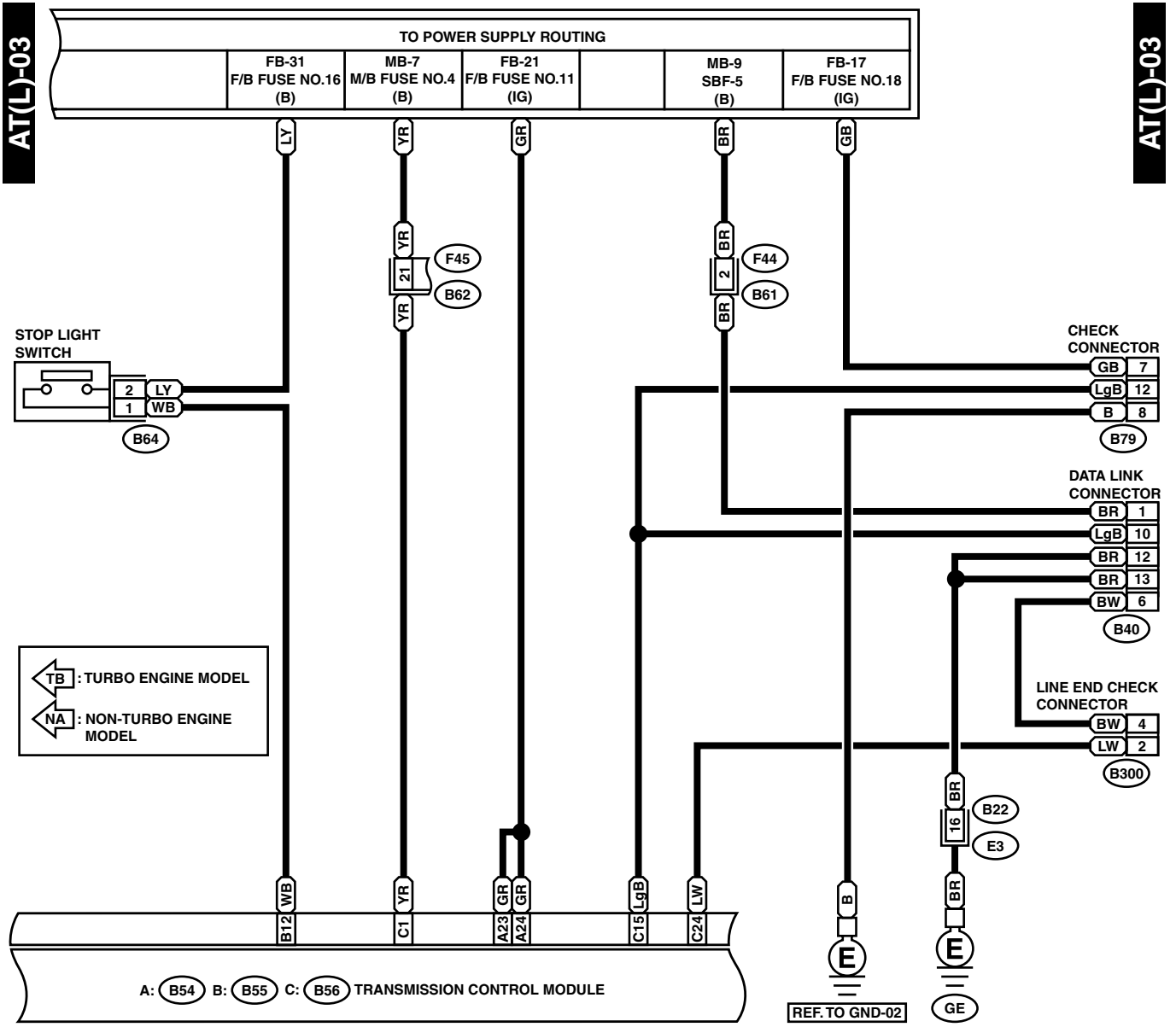
WIRING SYSTEM



WI-04451

# AT Control System

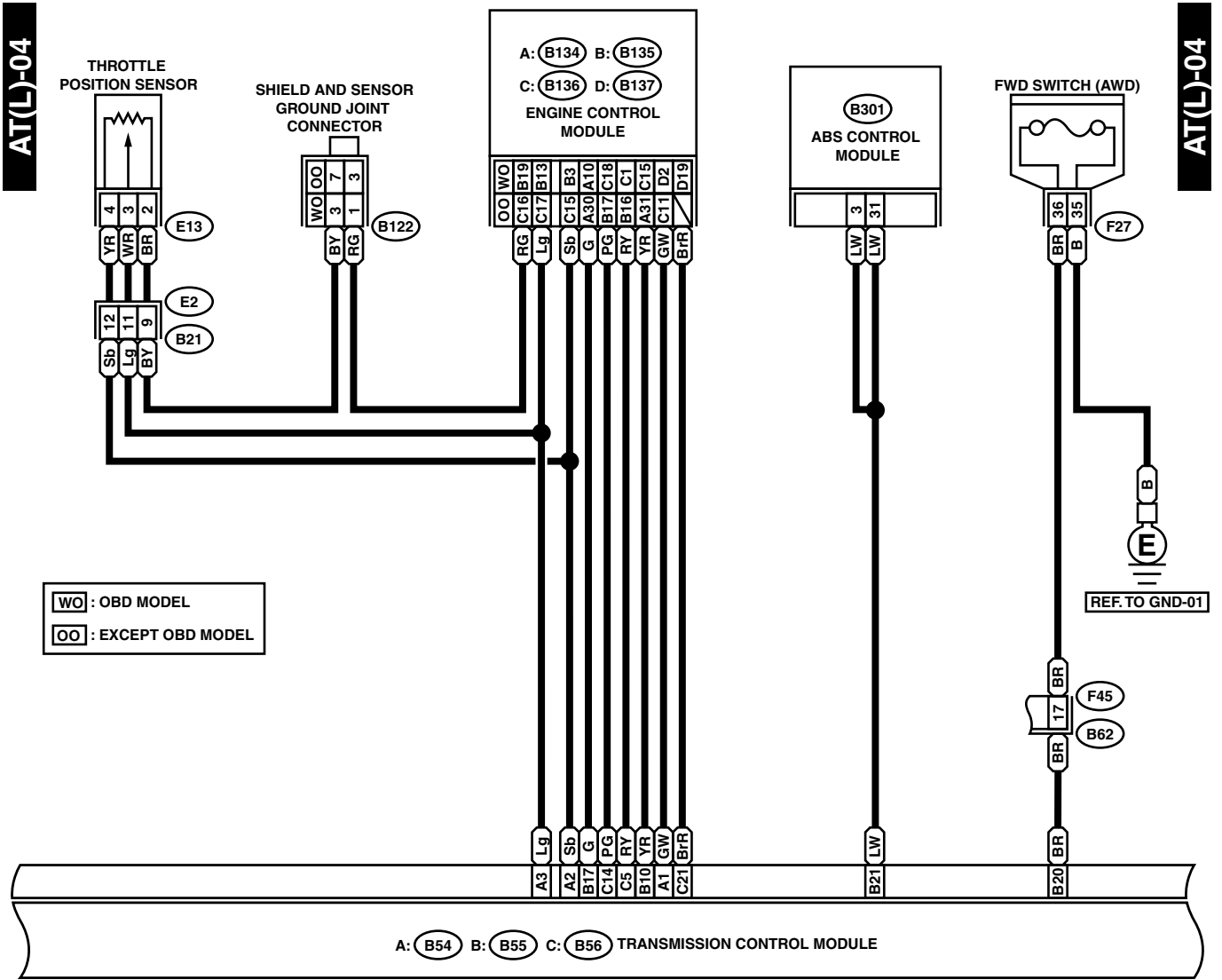
WIRING SYSTEM



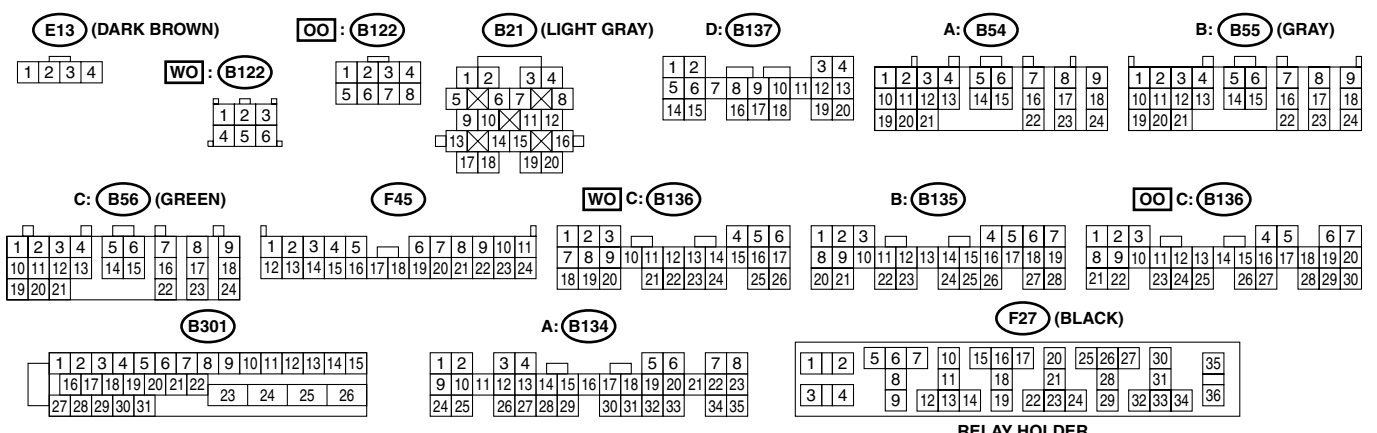
WI-02287

# AT Control System

WIRING SYSTEM



WO : OBD MODEL  
OO : EXCEPT OBD MODEL

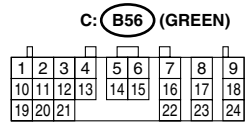
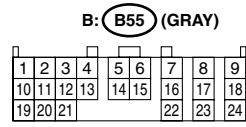
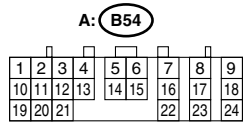
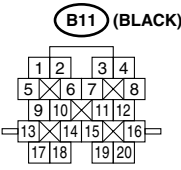
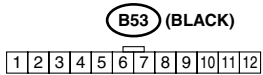
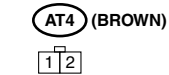
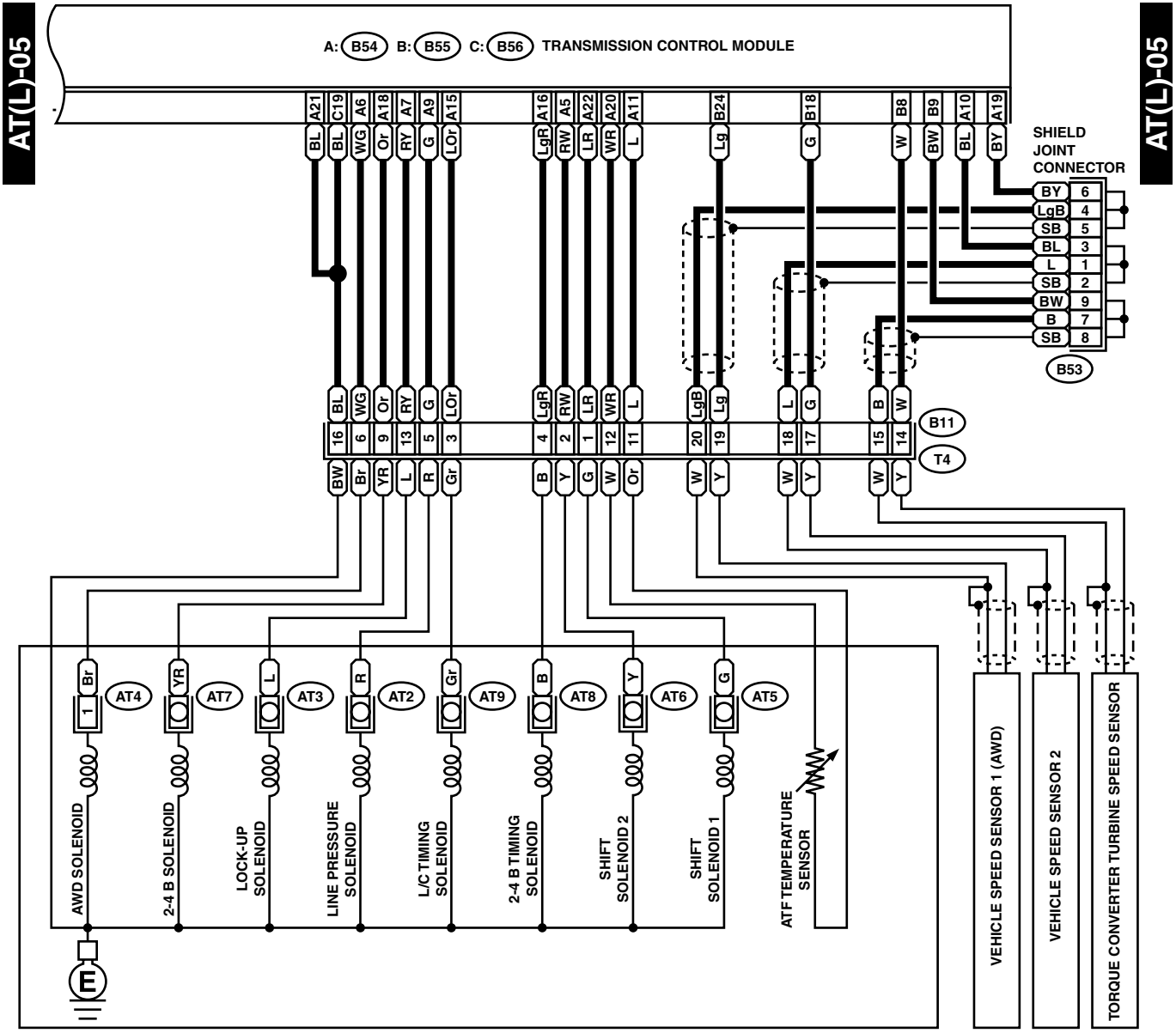


RELAY HOLDER

WI-04452

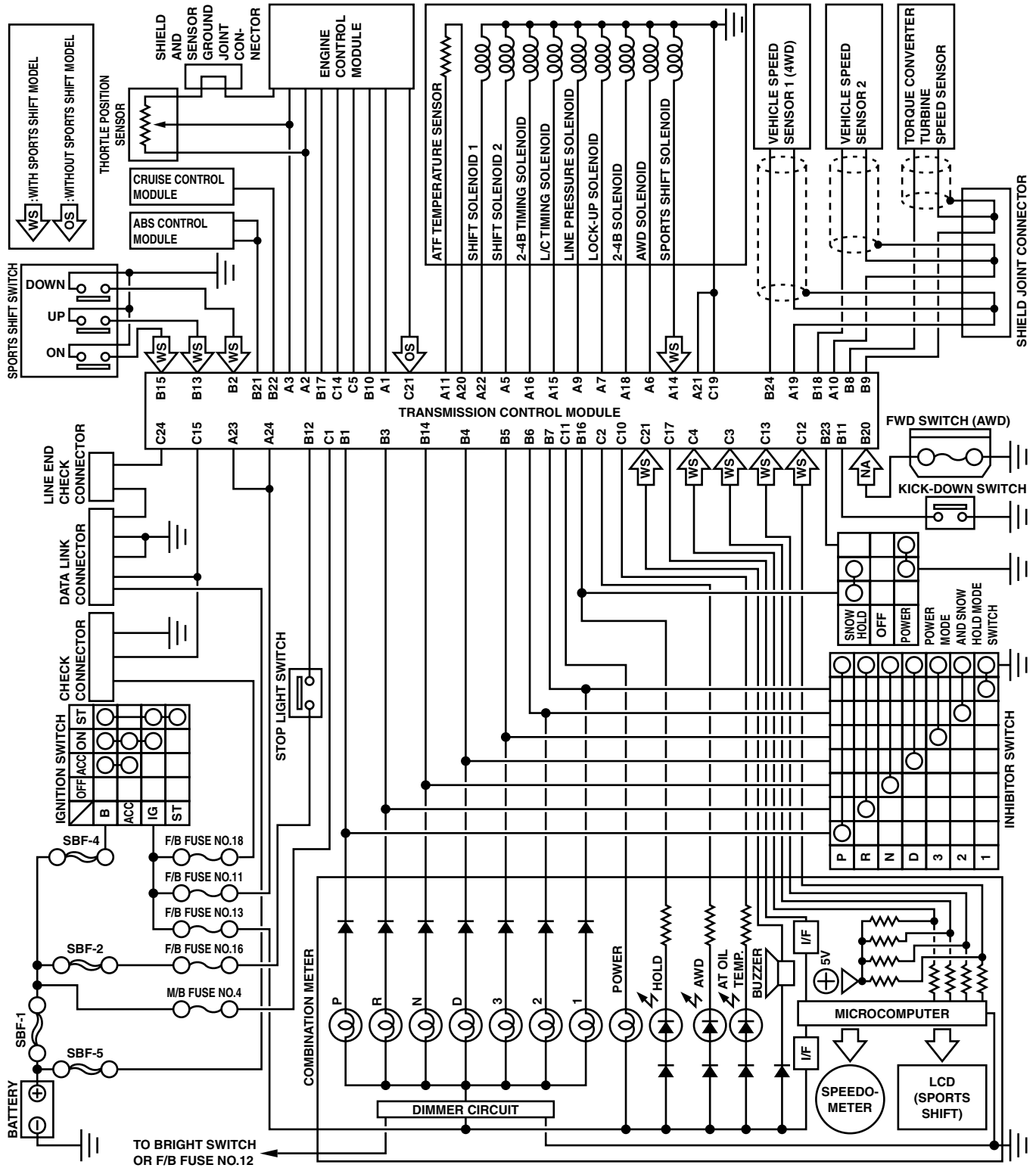
# AT Control System

WIRING SYSTEM



WI-02289

## 2. RHD MODEL



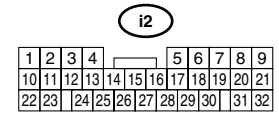
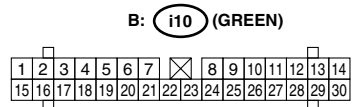
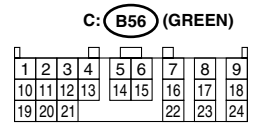
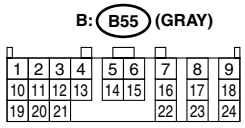
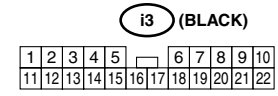
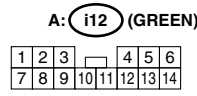
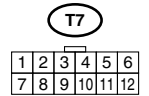
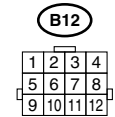
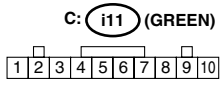
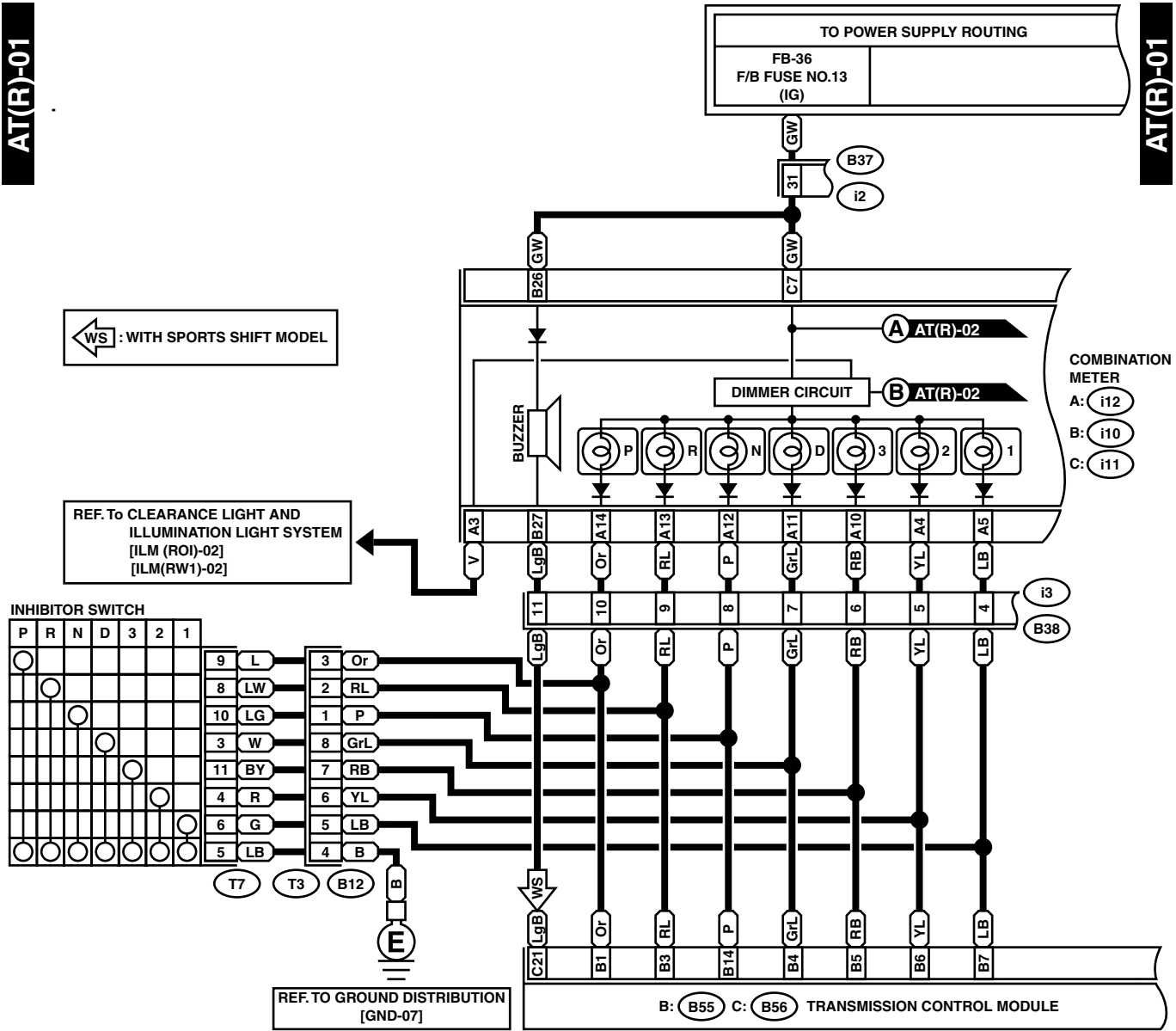
WI-04453

# AT Control System

## WIRING SYSTEM

AT(R)-01

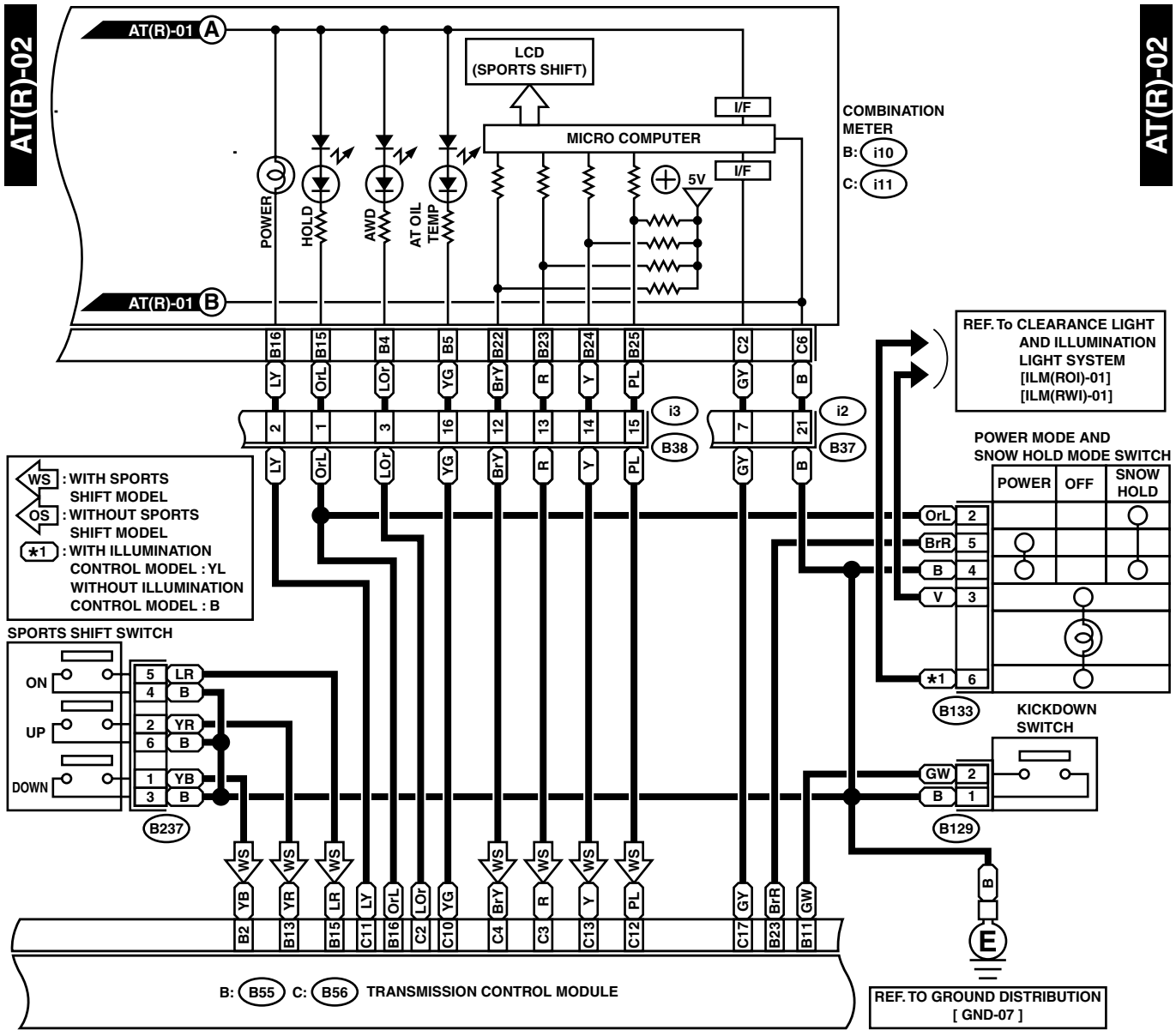
AT(R)-01



WI-04544

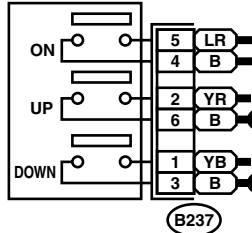
# AT Control System

WIRING SYSTEM

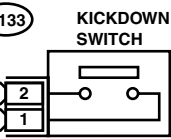
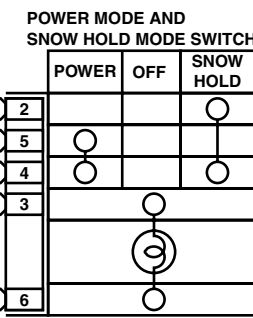


WS : WITH SPORTS SHIFT MODEL  
 OS : WITHOUT SPORTS SHIFT MODEL  
 \*1 : WITH ILLUMINATION CONTROL MODEL : YL  
 WITHOUT ILLUMINATION CONTROL MODEL : B

SPORTS SHIFT SWITCH

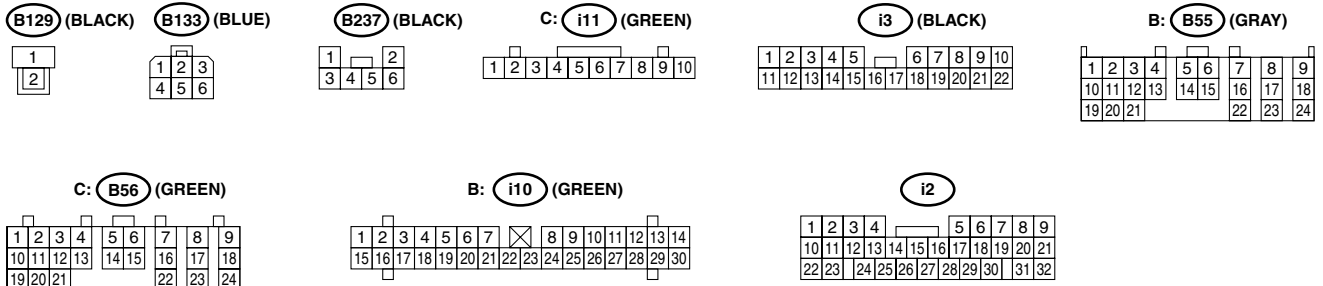


REF. To CLEARANCE LIGHT AND ILLUMINATION LIGHT SYSTEM [ILM(ROI)-01] [ILM(RWI)-01]



B: B55 C: B56 TRANSMISSION CONTROL MODULE

REF. TO GROUND DISTRIBUTION [GND-07]

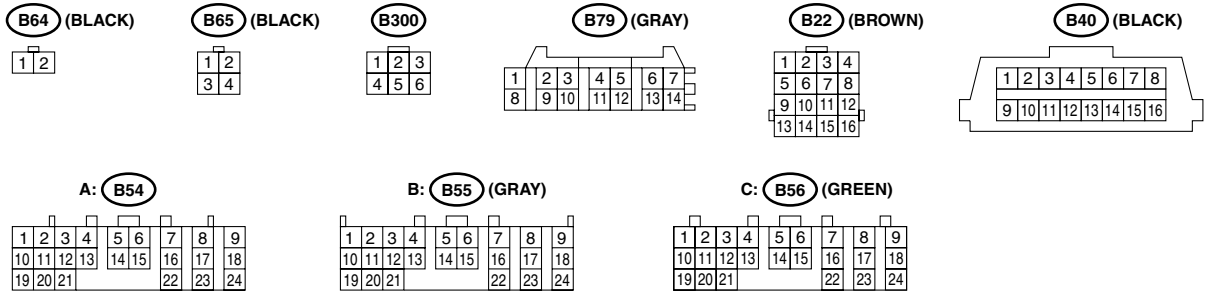
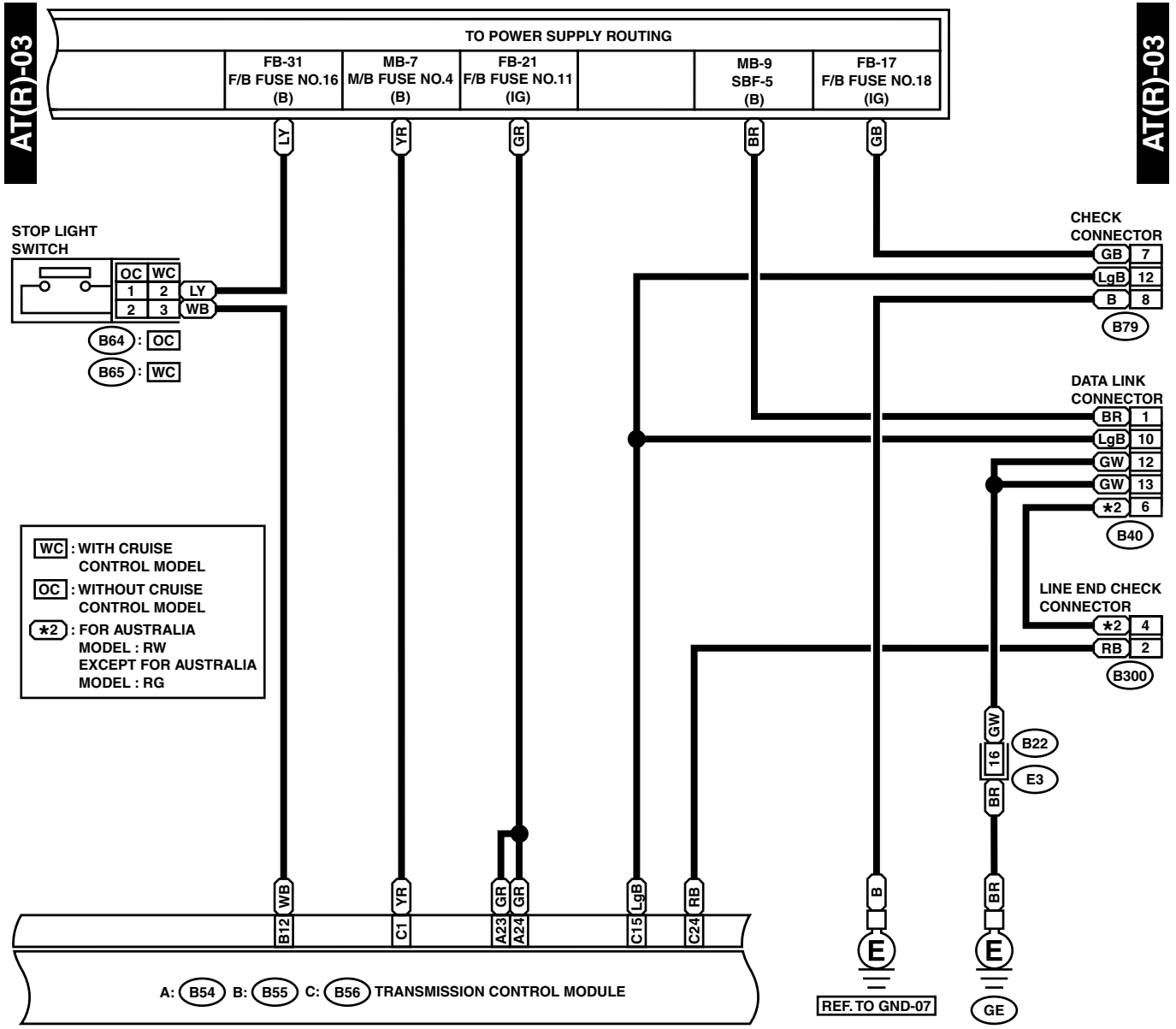


WI-04454



# AT Control System

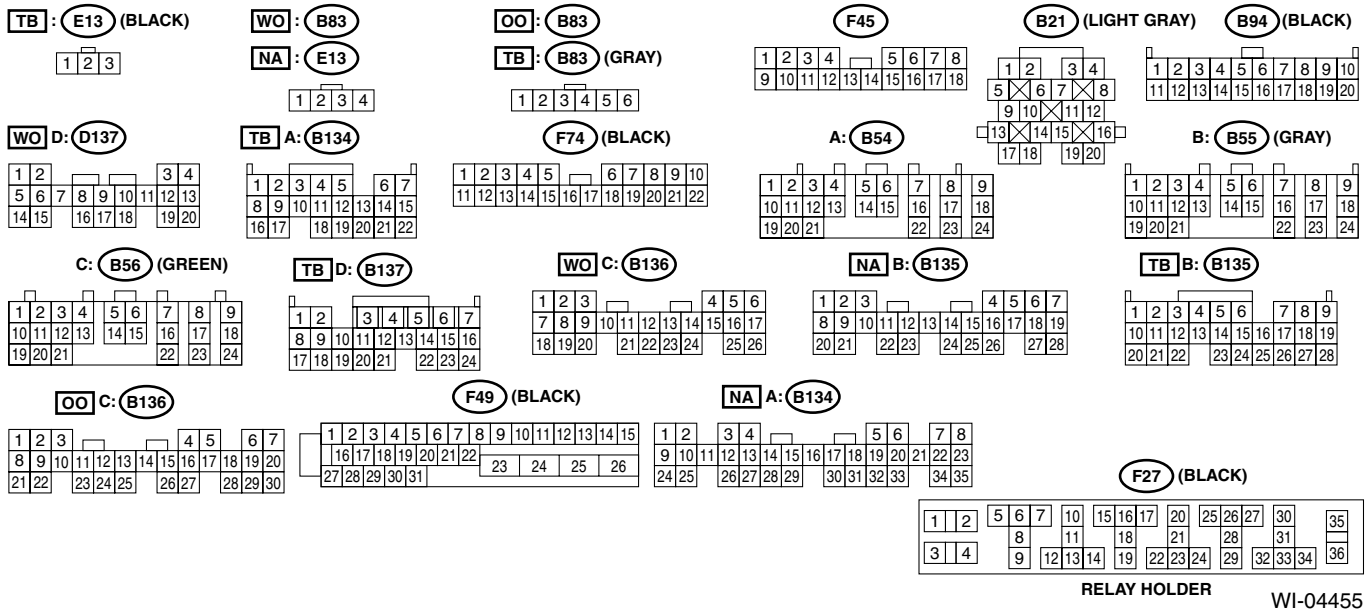
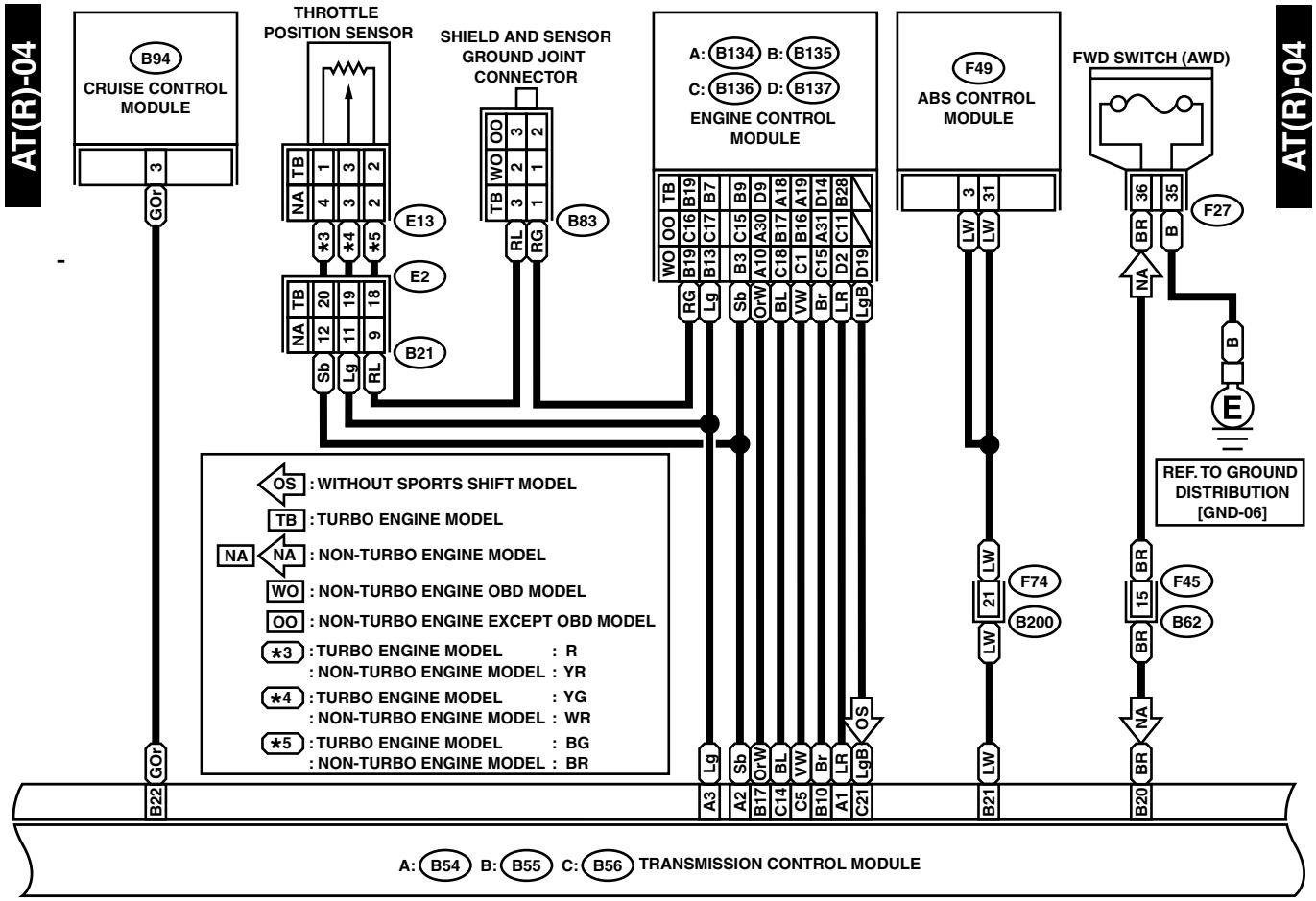
## WIRING SYSTEM



WI-02292

# AT Control System

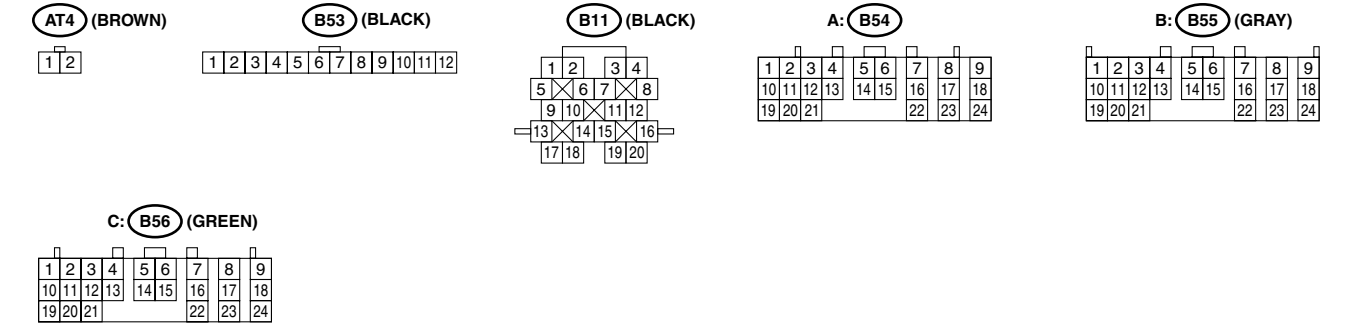
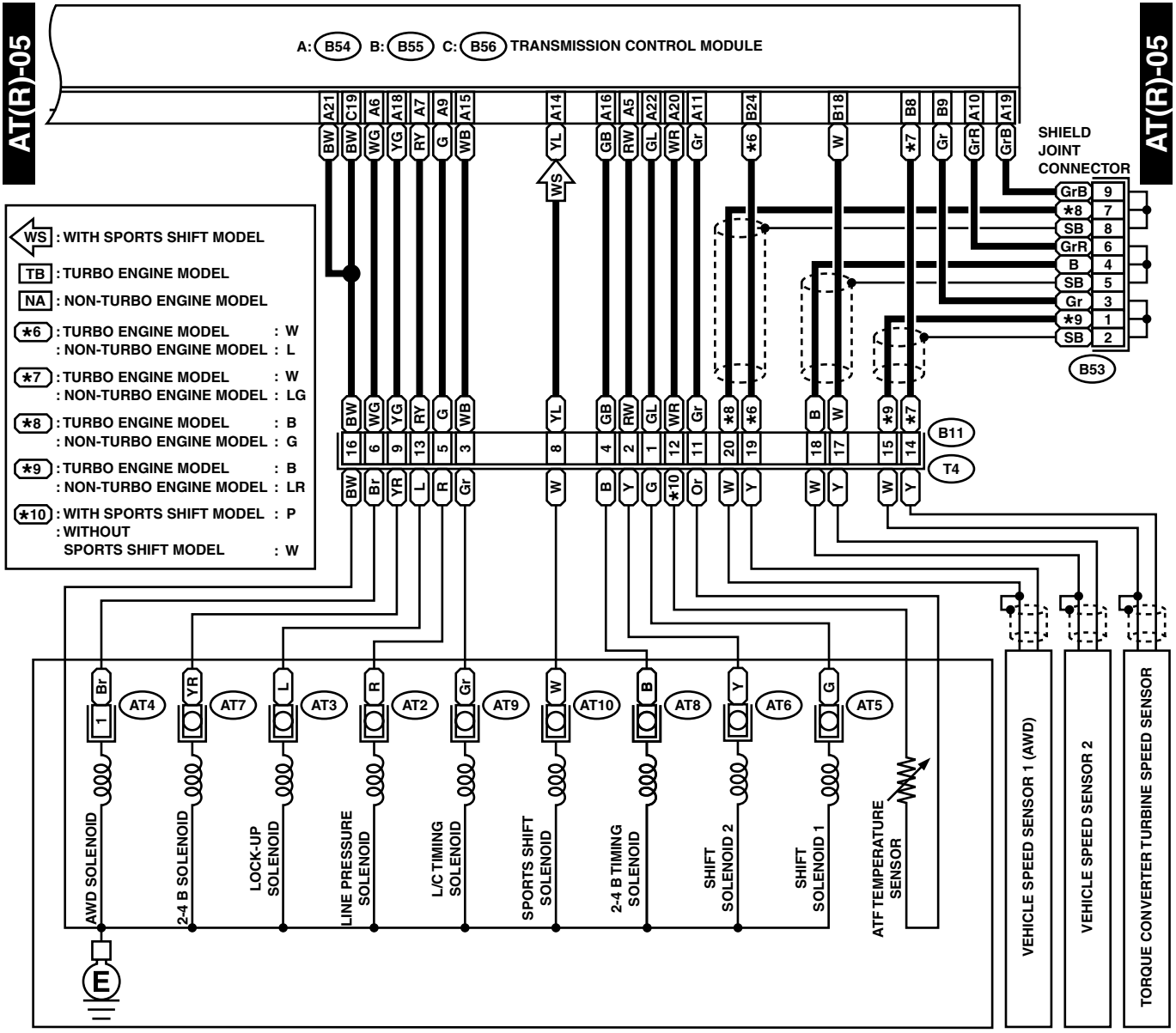
WIRING SYSTEM



RELAY HOLDER WI-04455

# AT Control System

WIRING SYSTEM



WI-04545

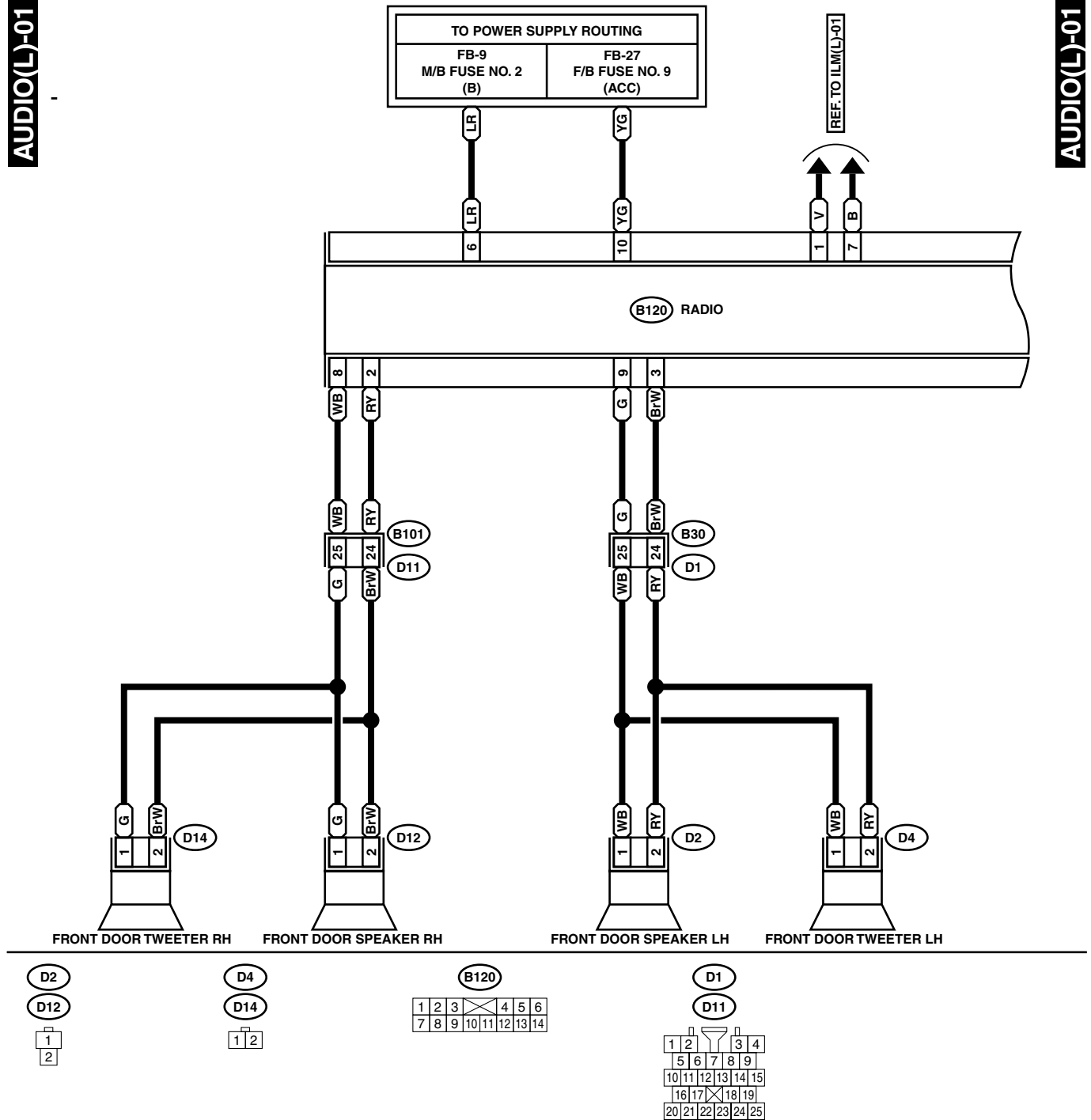
## 9. Audio System

### A: WIRING DIAGRAM

#### 1. LHD MODEL

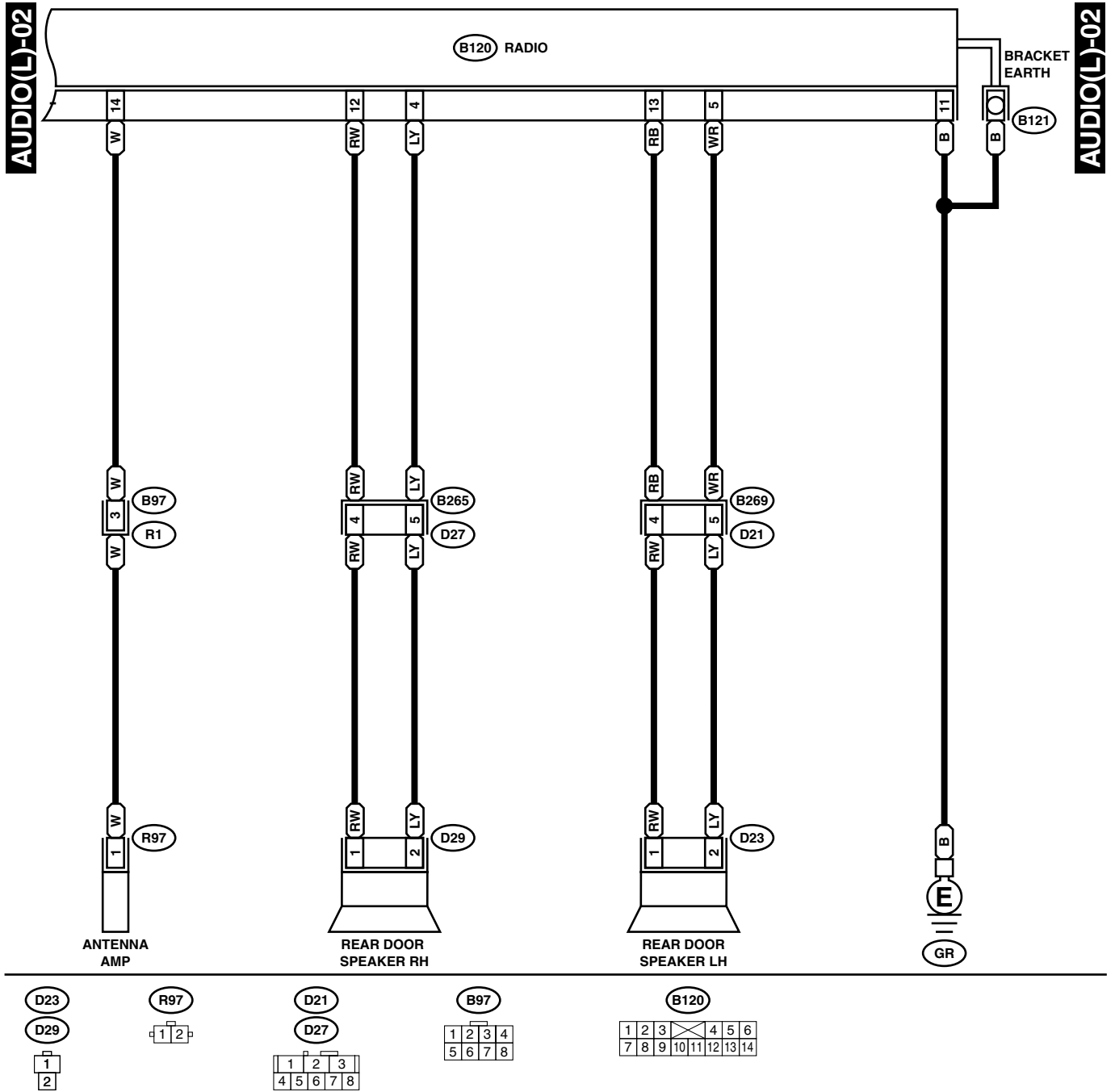
AUDIO(L)-01

AUDIO(L)-01



# Audio System

WIRING SYSTEM



WI-04456

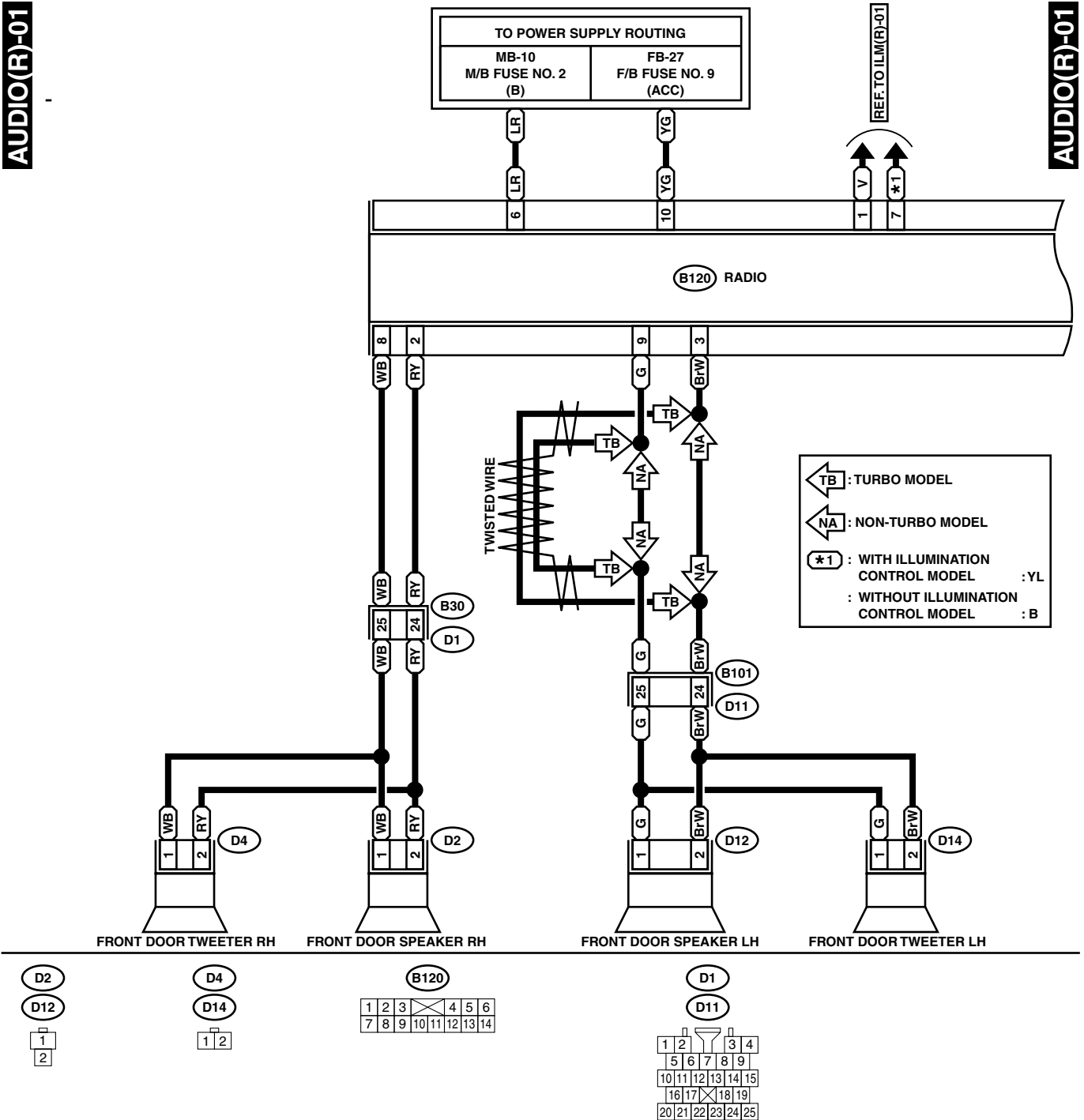
# Audio System

WIRING SYSTEM

## 2. RHD MODEL

AUDIO(R)-01

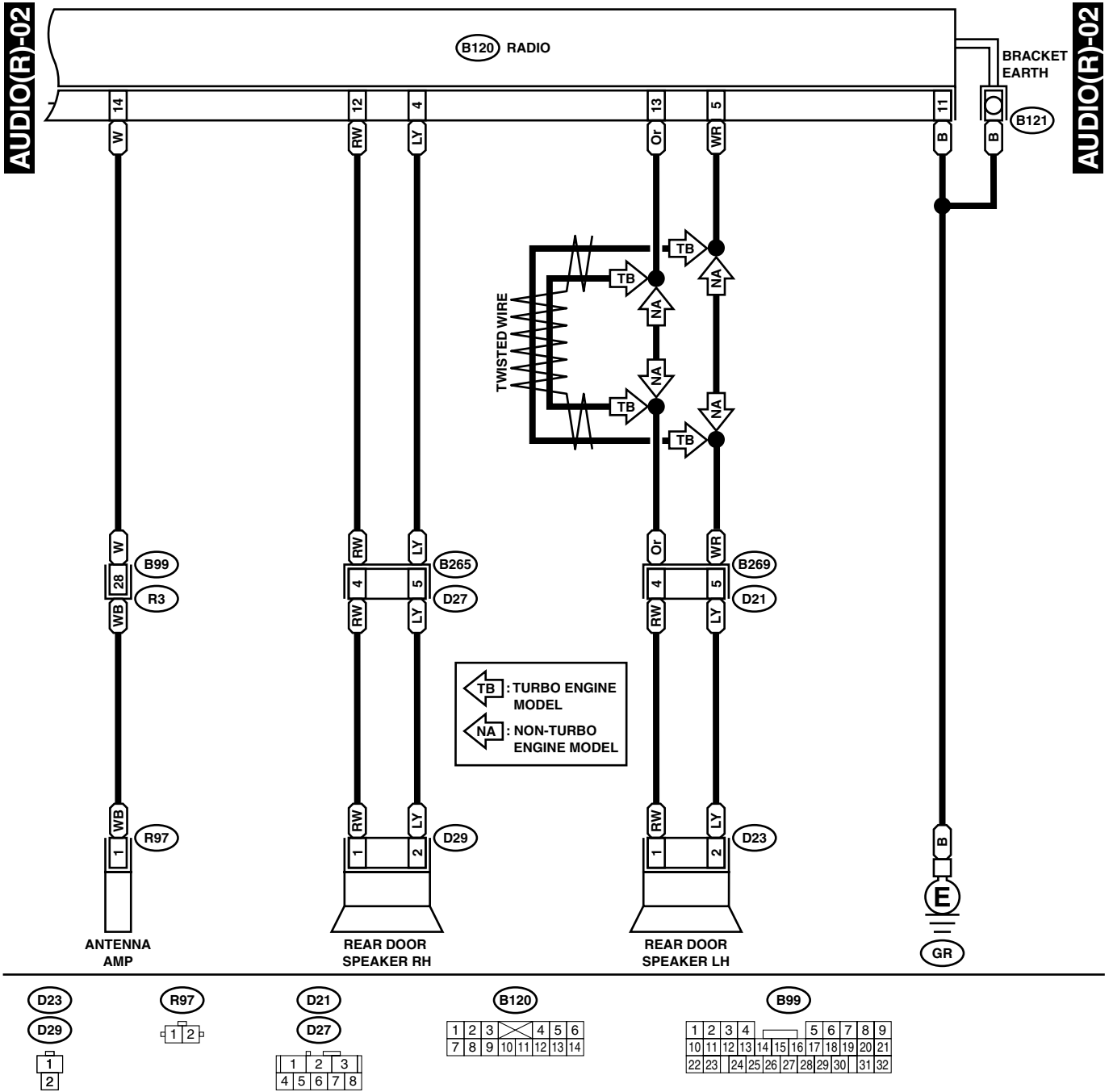
AUDIO(R)-01



WI-02297

# Audio System

WIRING SYSTEM



WI-04457

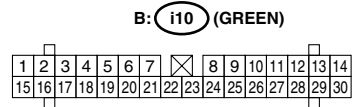
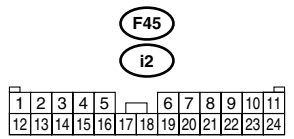
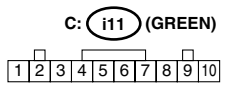
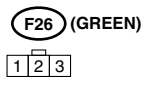
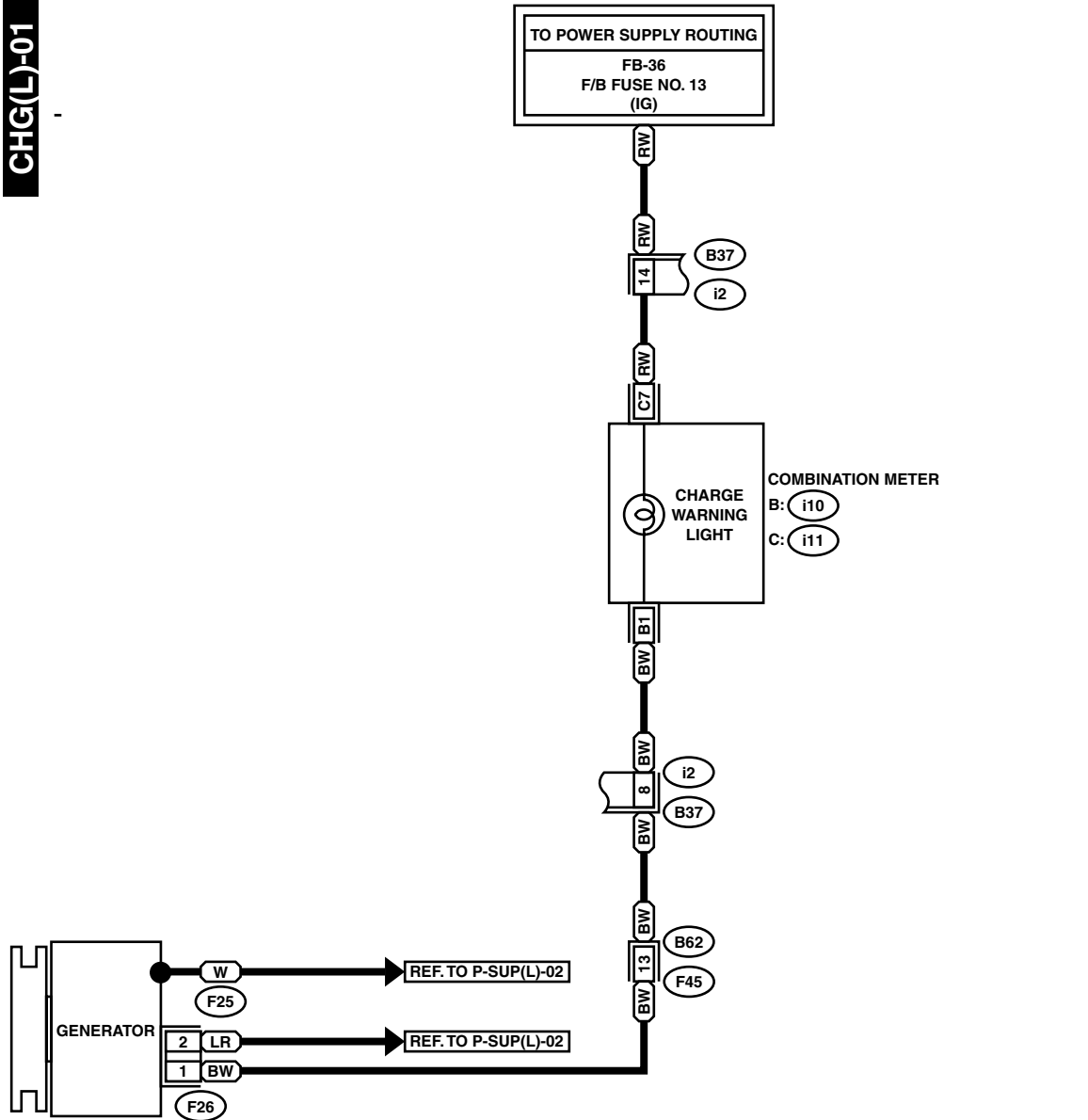
## 10. Charging System

### A: WIRING DIAGRAM

#### 1. LHD MODEL

**CHG(L)-01**

**CHG(L)-01**





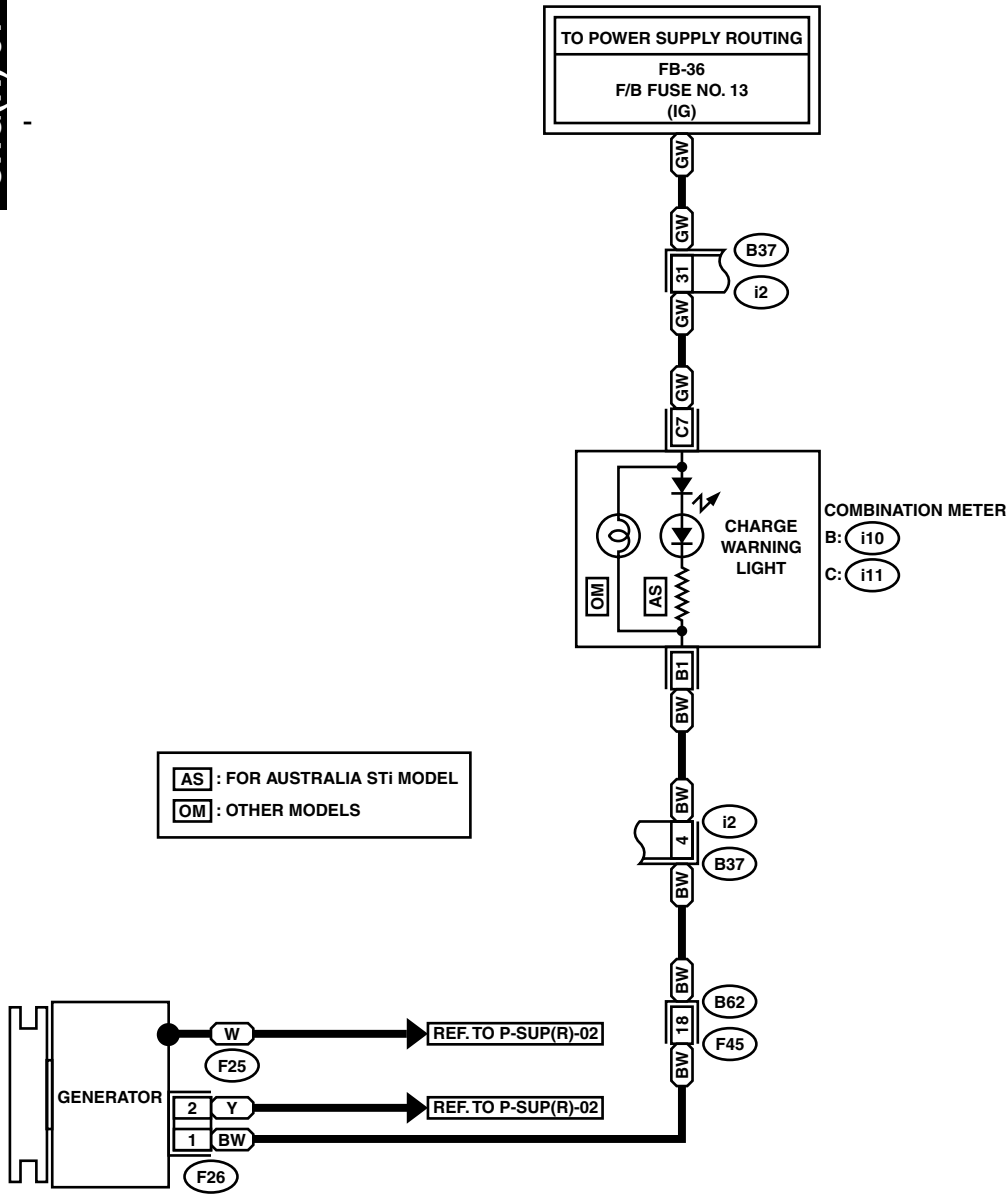
# Charging System

WIRING SYSTEM

## 2. RHD MODEL

CHG(R)-01

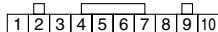
CHG(R)-01



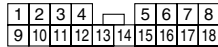
F26 (GREEN)



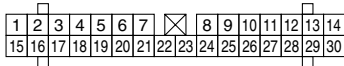
C: i11 (GREEN)



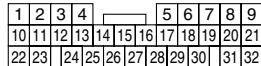
F45



B: i10 (GREEN)



i2



WI-04459

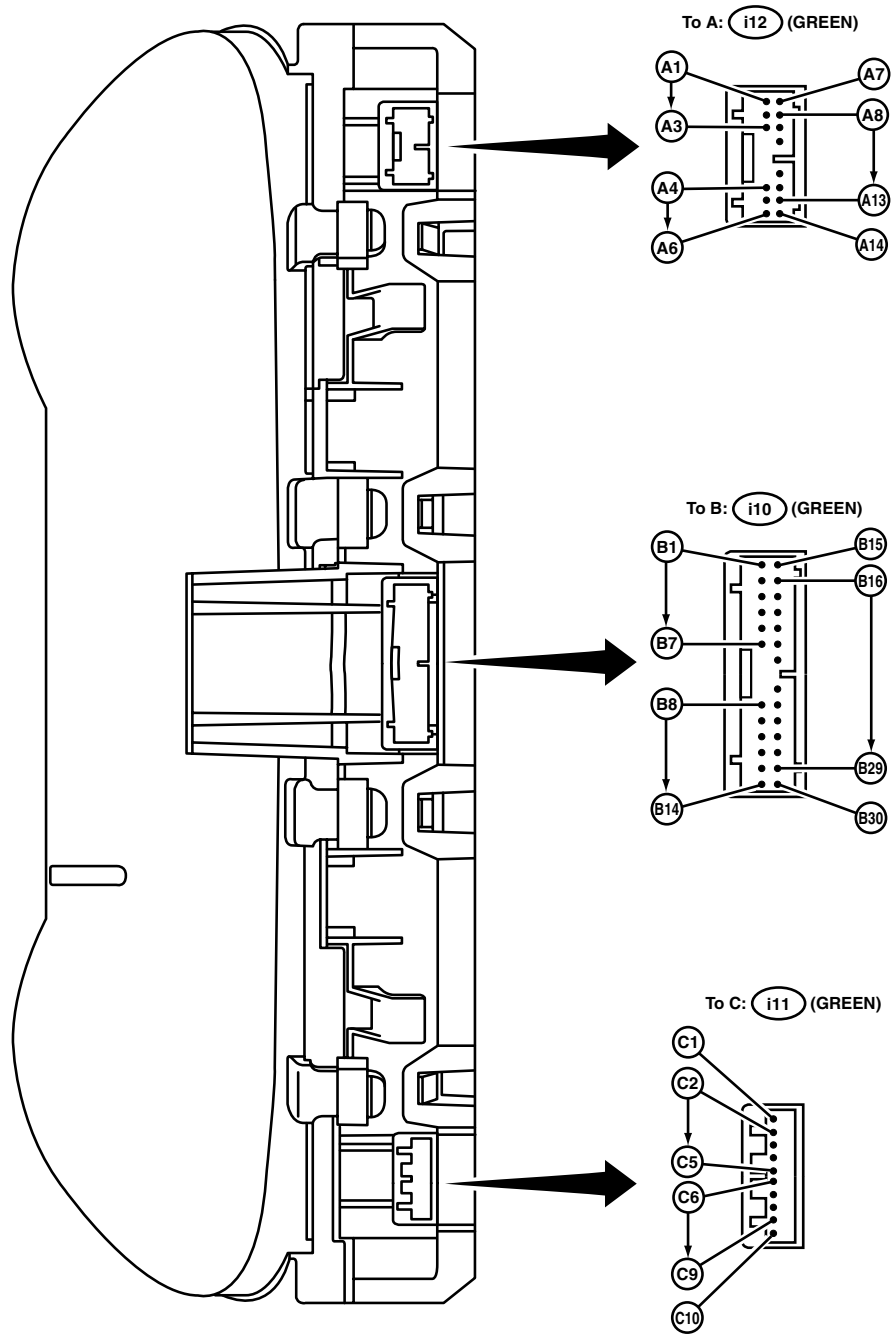
# 11. Combination Meter

## A: WIRING DIAGRAM

### 1. EXCEPT FOR AUSTRALIA STI MODEL

CM(EA)-01

CM(EA)-01

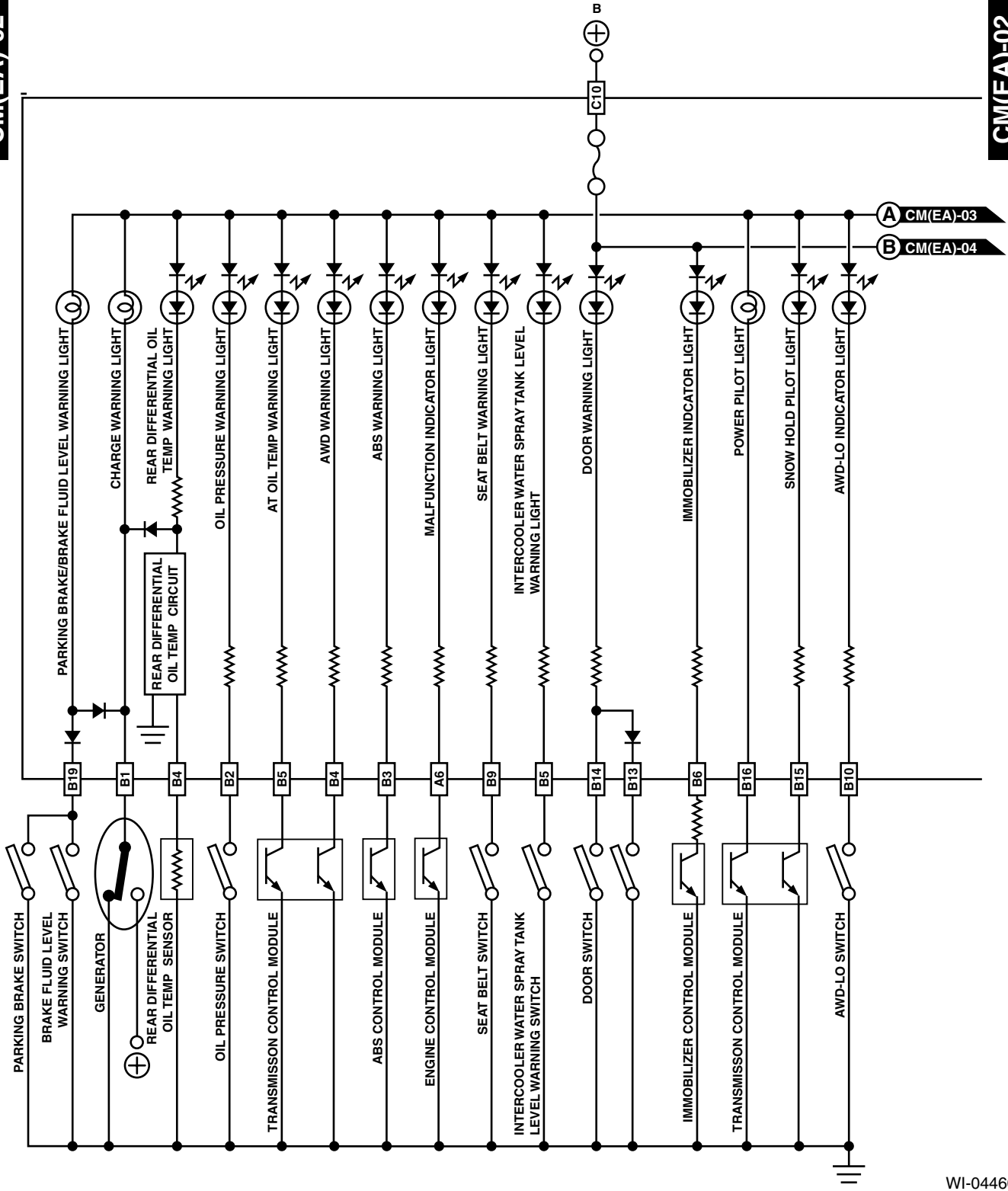


# Combination Meter

WIRING SYSTEM

CM(EA)-02

CM(EA)-02



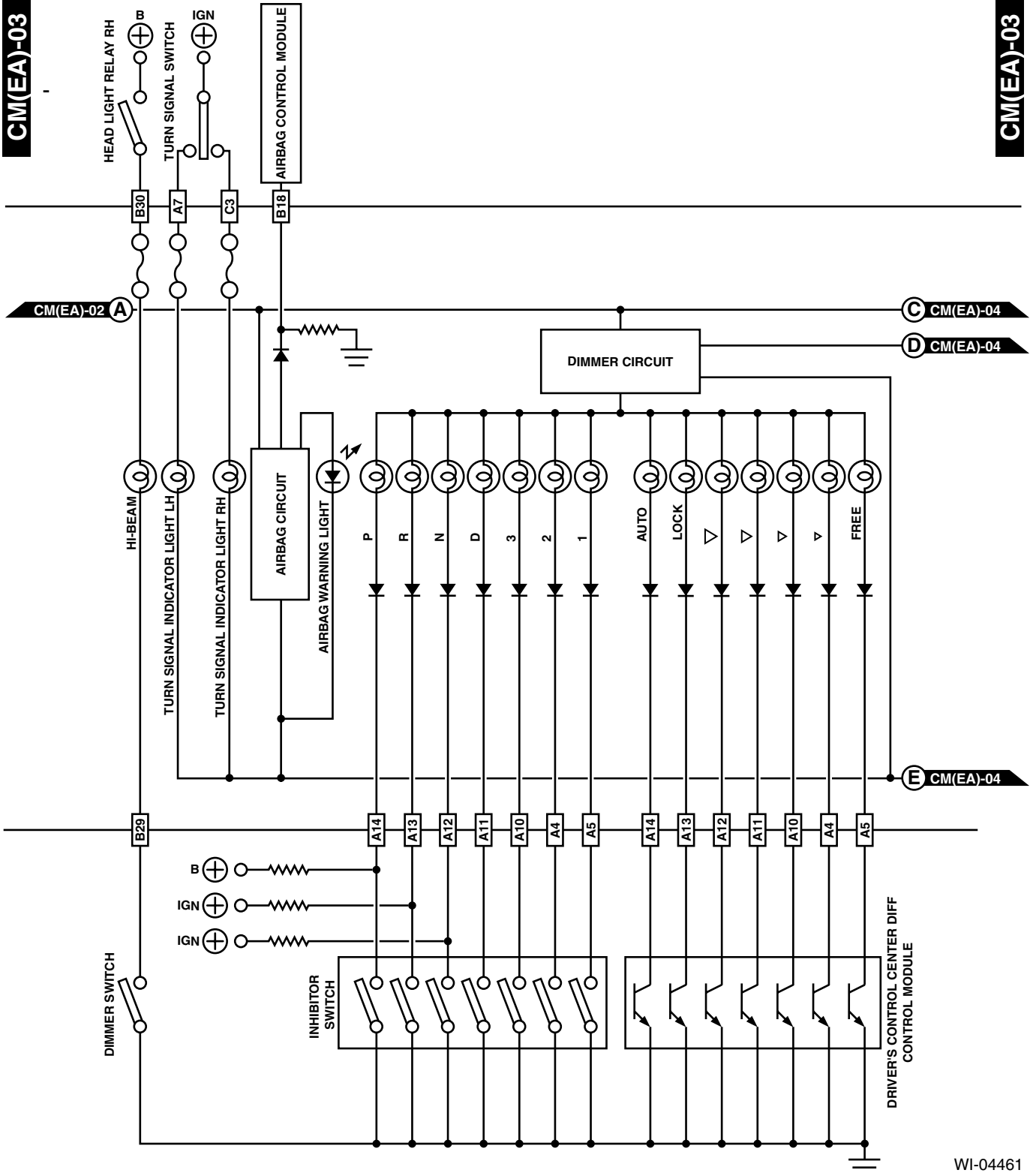
WI-04460

# Combination Meter

WIRING SYSTEM

CM(EA)-03

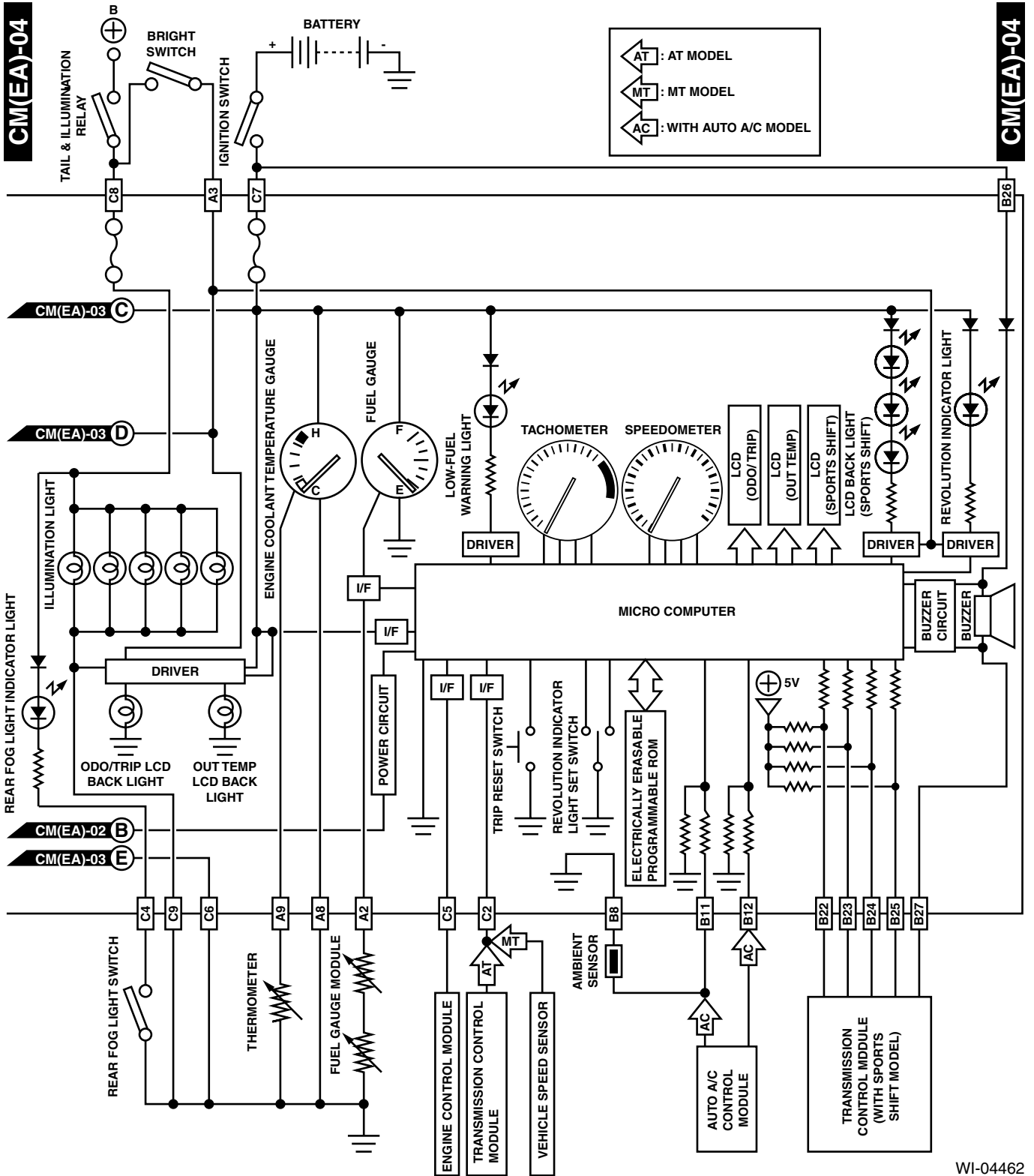
CM(EA)-03



WI-04461

# Combination Meter

## WIRING SYSTEM

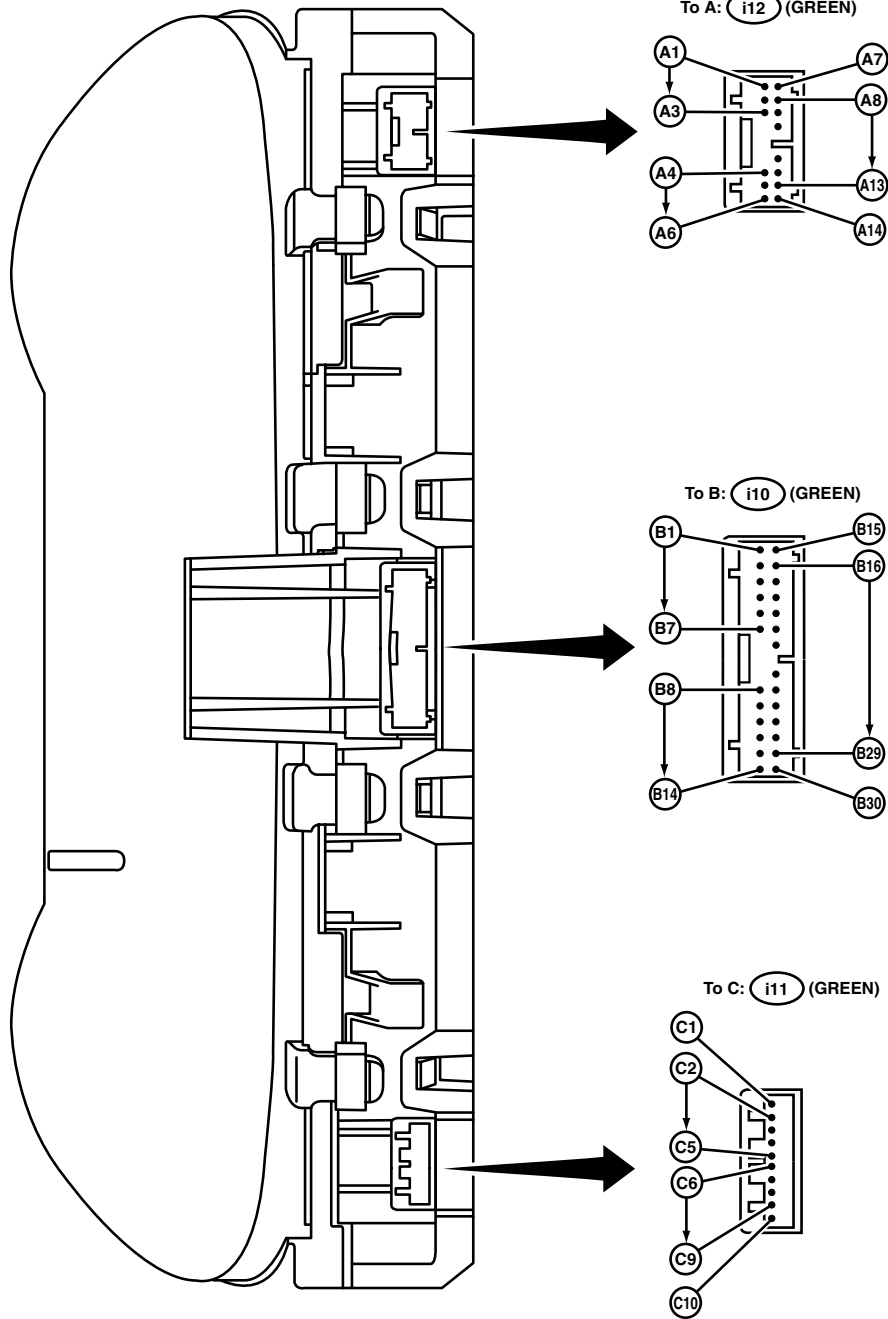


WI-04462

## 2. FOR AUSTRALIA STi MODEL

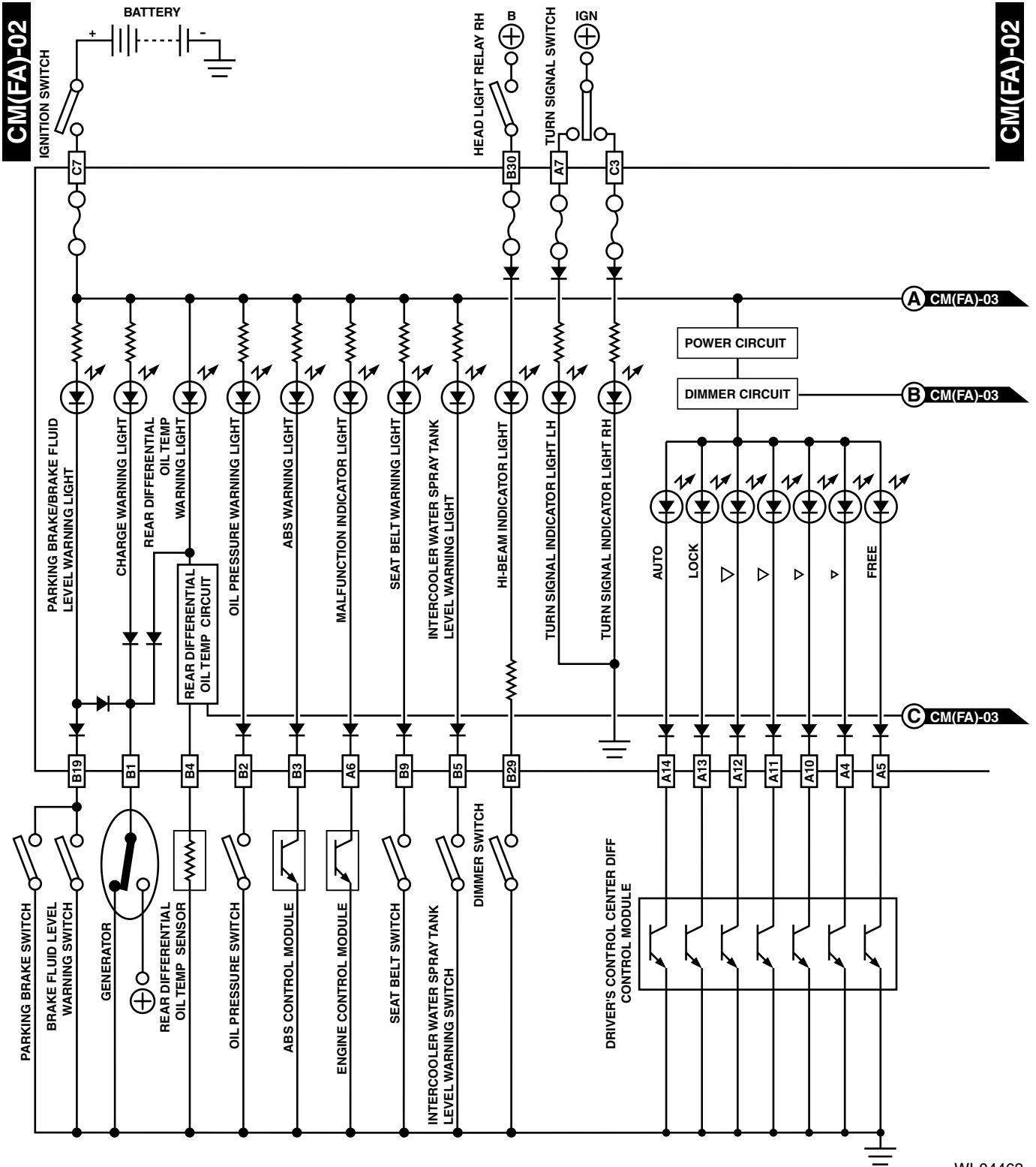
CM(FA)-01

CM(FA)-01



# Combination Meter

WIRING SYSTEM



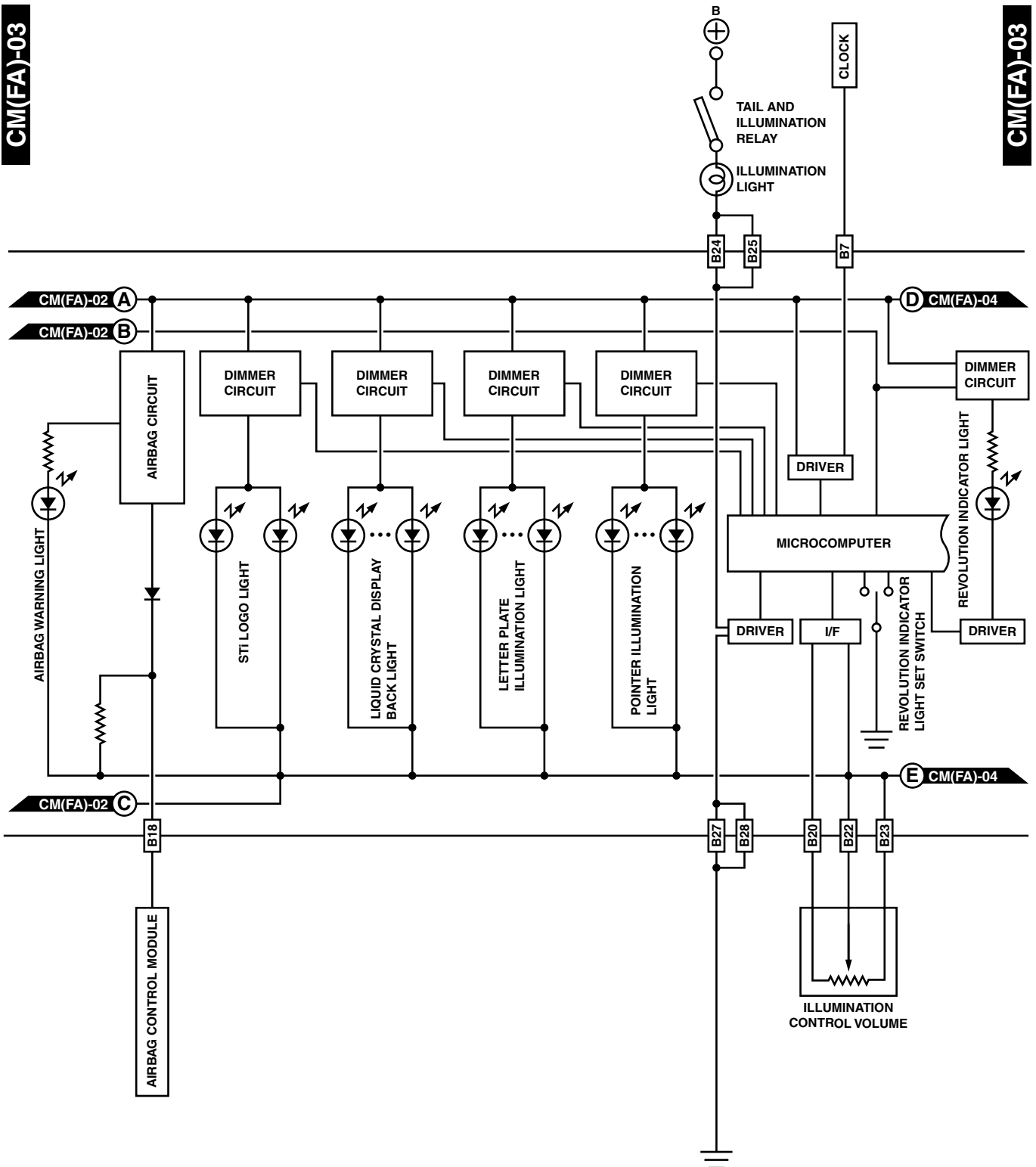
WI-04463

# Combination Meter

WIRING SYSTEM

CM(FA)-03

CM(FA)-03

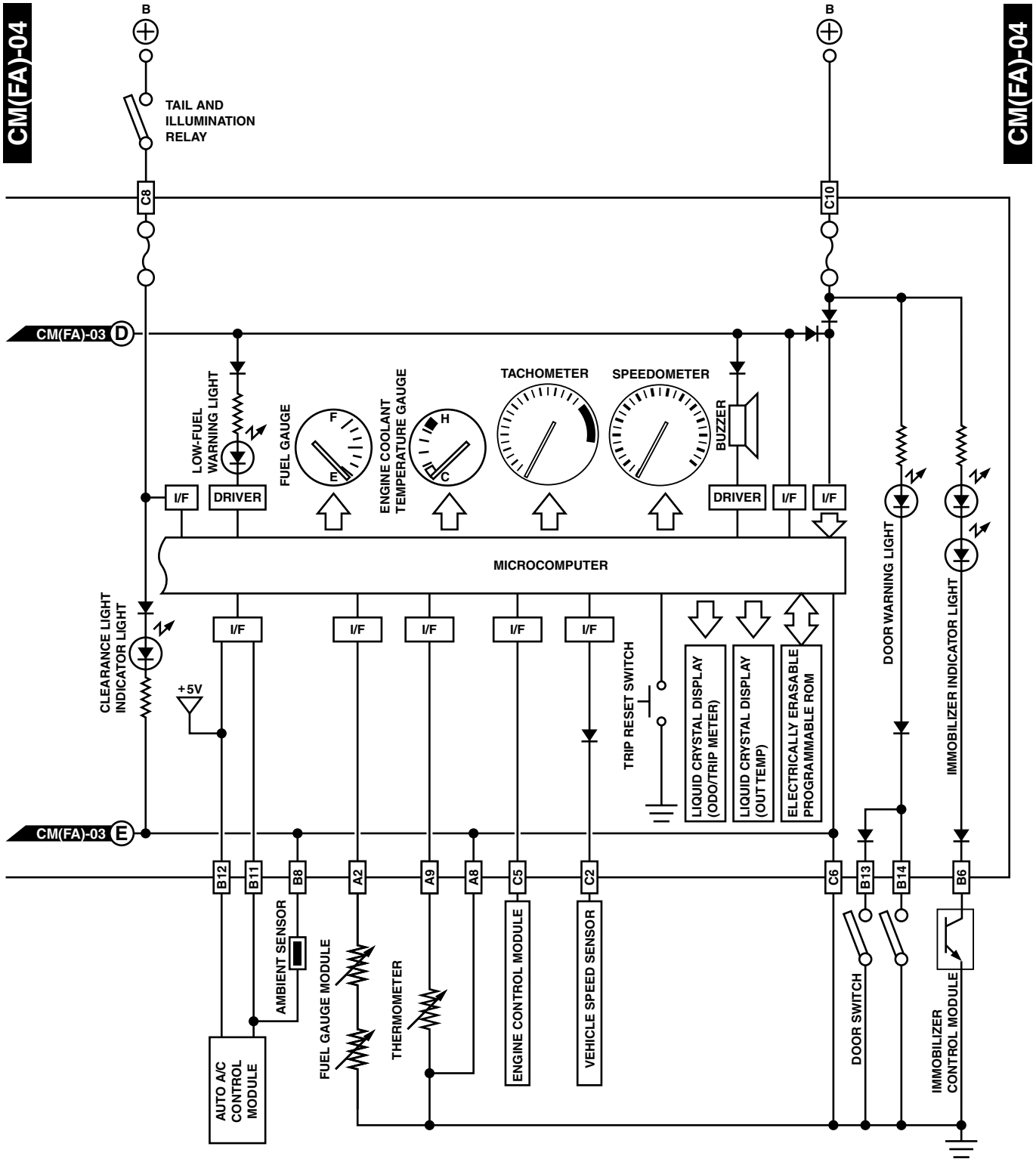


WI-04464



# Combination Meter

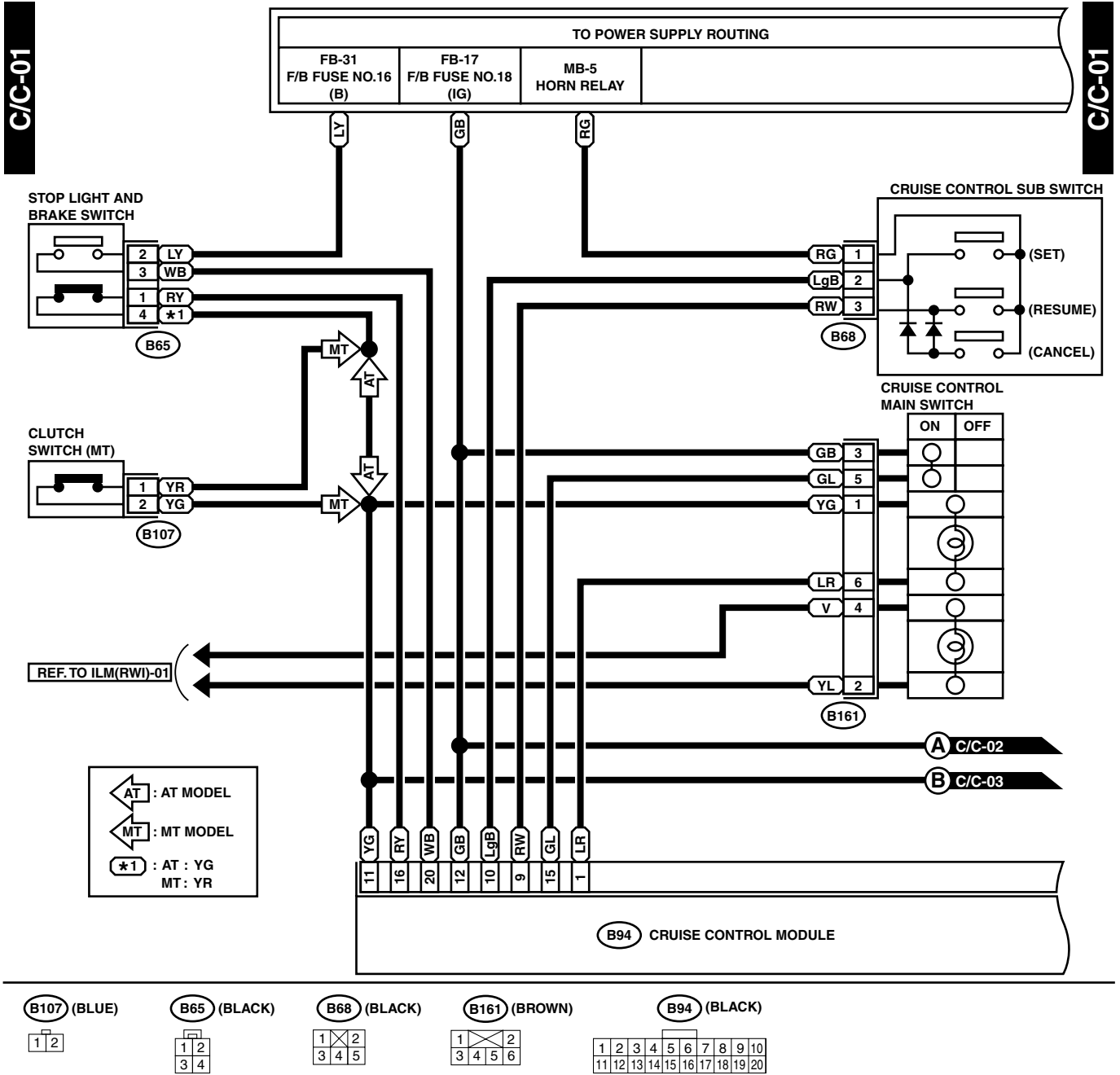
WIRING SYSTEM



WI-04465

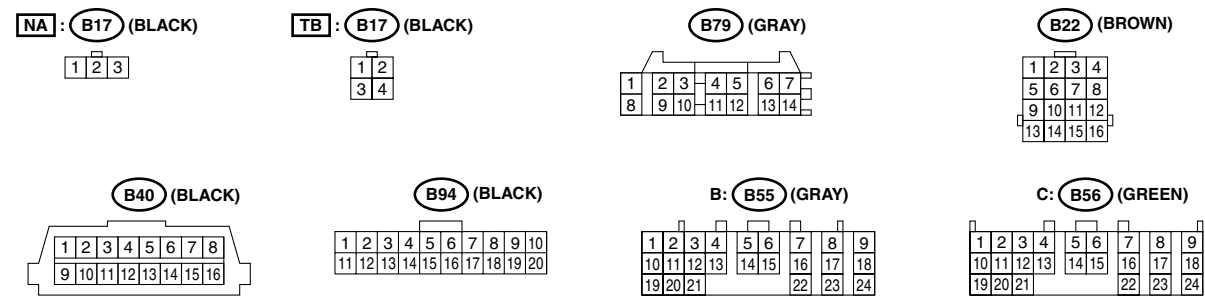
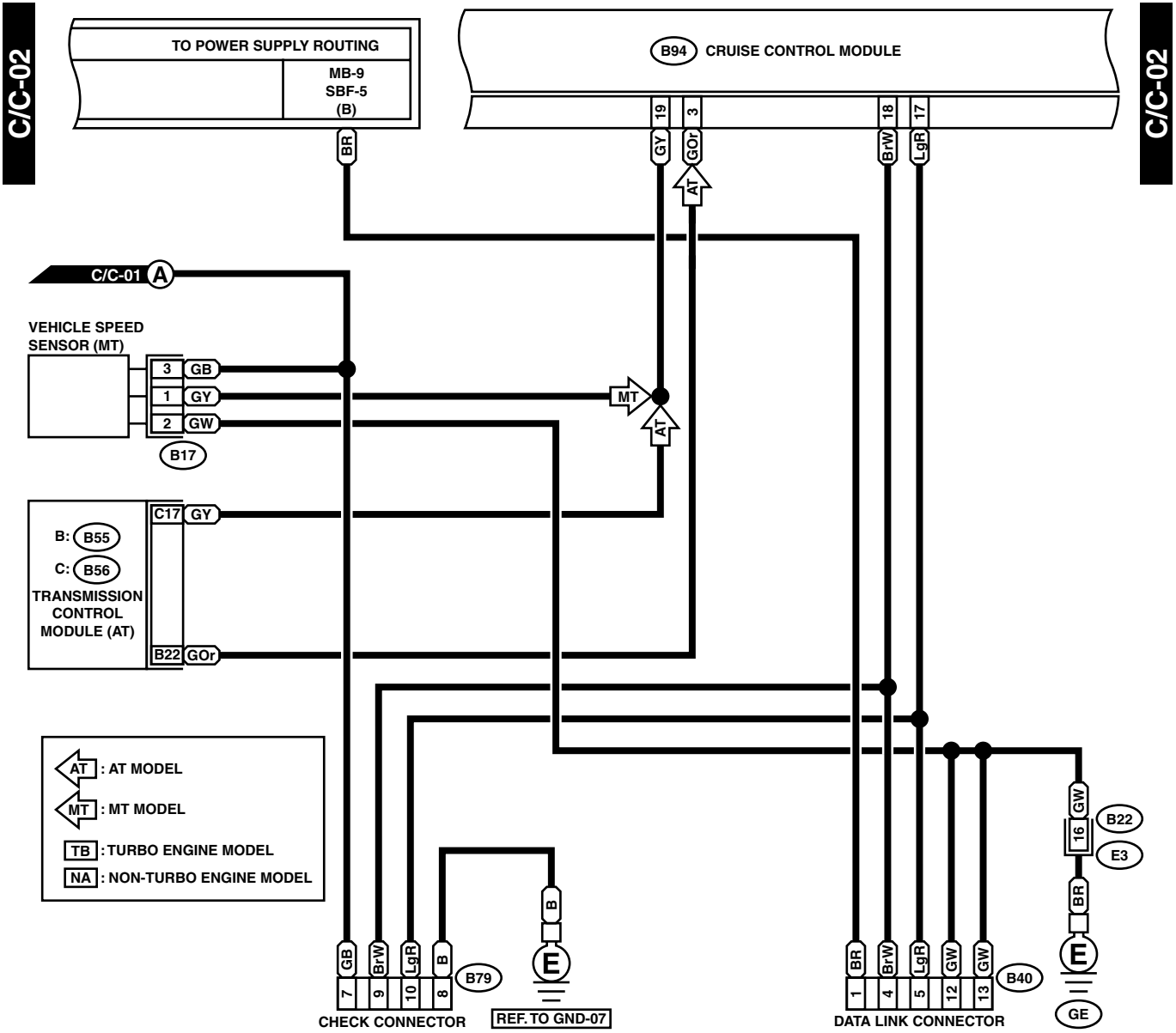
## 12. Cruise Control System

### A: WIRING DIAGRAM



# Cruise Control System

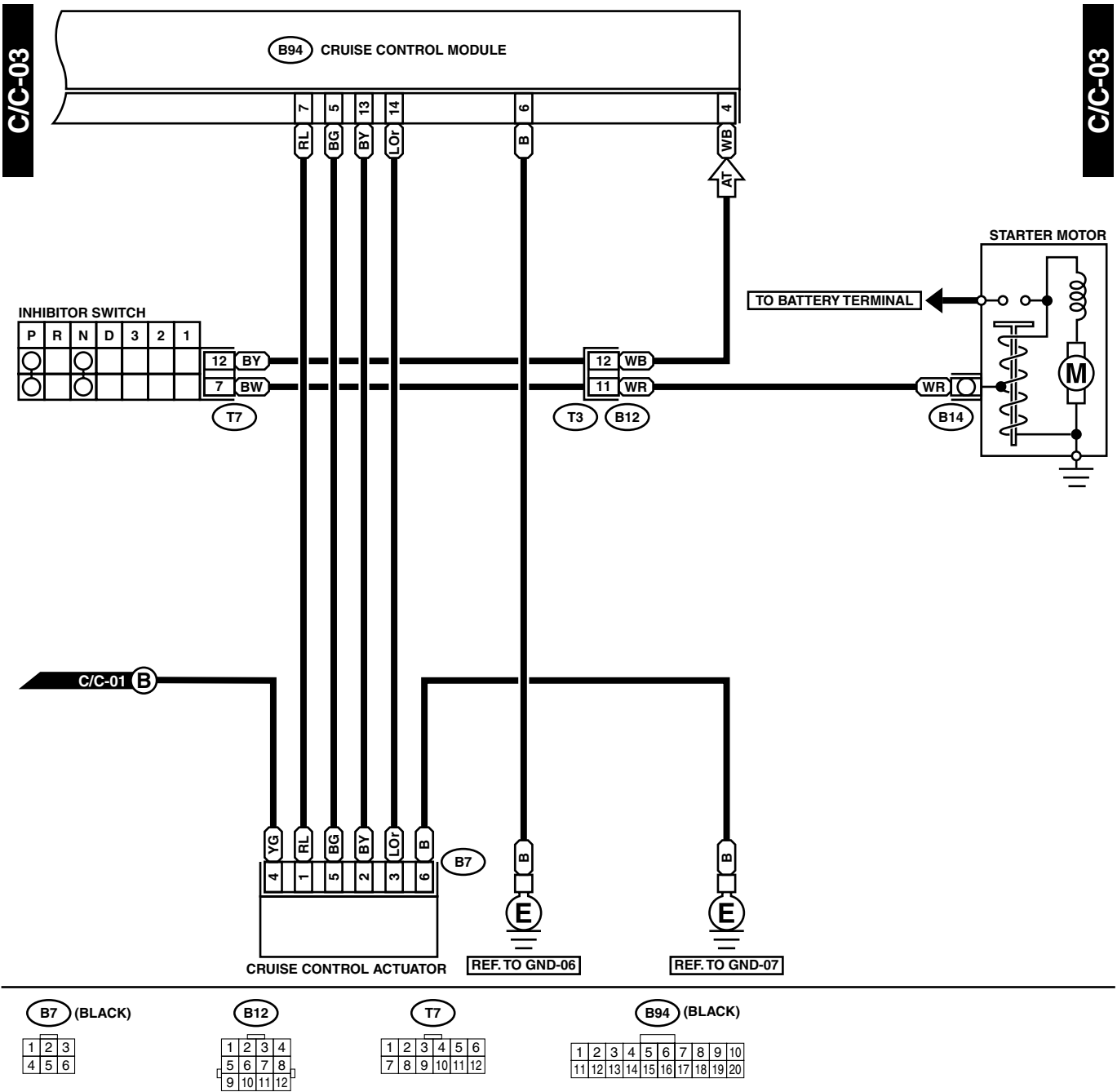
WIRING SYSTEM



WI-02527

# Cruise Control System

WIRING SYSTEM



**(B7) (BLACK)**

1	2	3
4	5	6

**(B12)**

1	2	3	4
5	6	7	8
9	10	11	12

**(T7)**

1	2	3	4	5	6
7	8	9	10	11	12

**(B94) (BLACK)**

1	2	3	4	5	6	7	8	9	10
11	12	13	14	15	16	17	18	19	20

WI-02528

# Engine Coolant Temperature Gauge System

WIRING SYSTEM

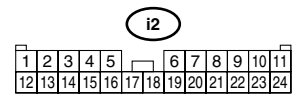
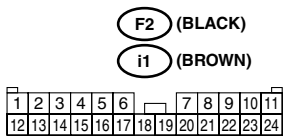
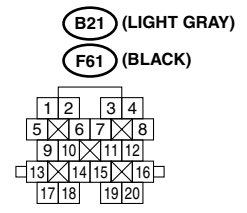
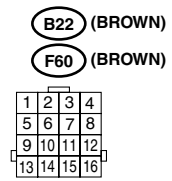
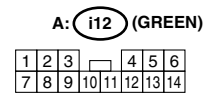
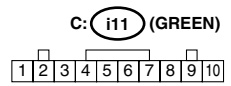
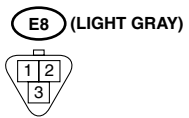
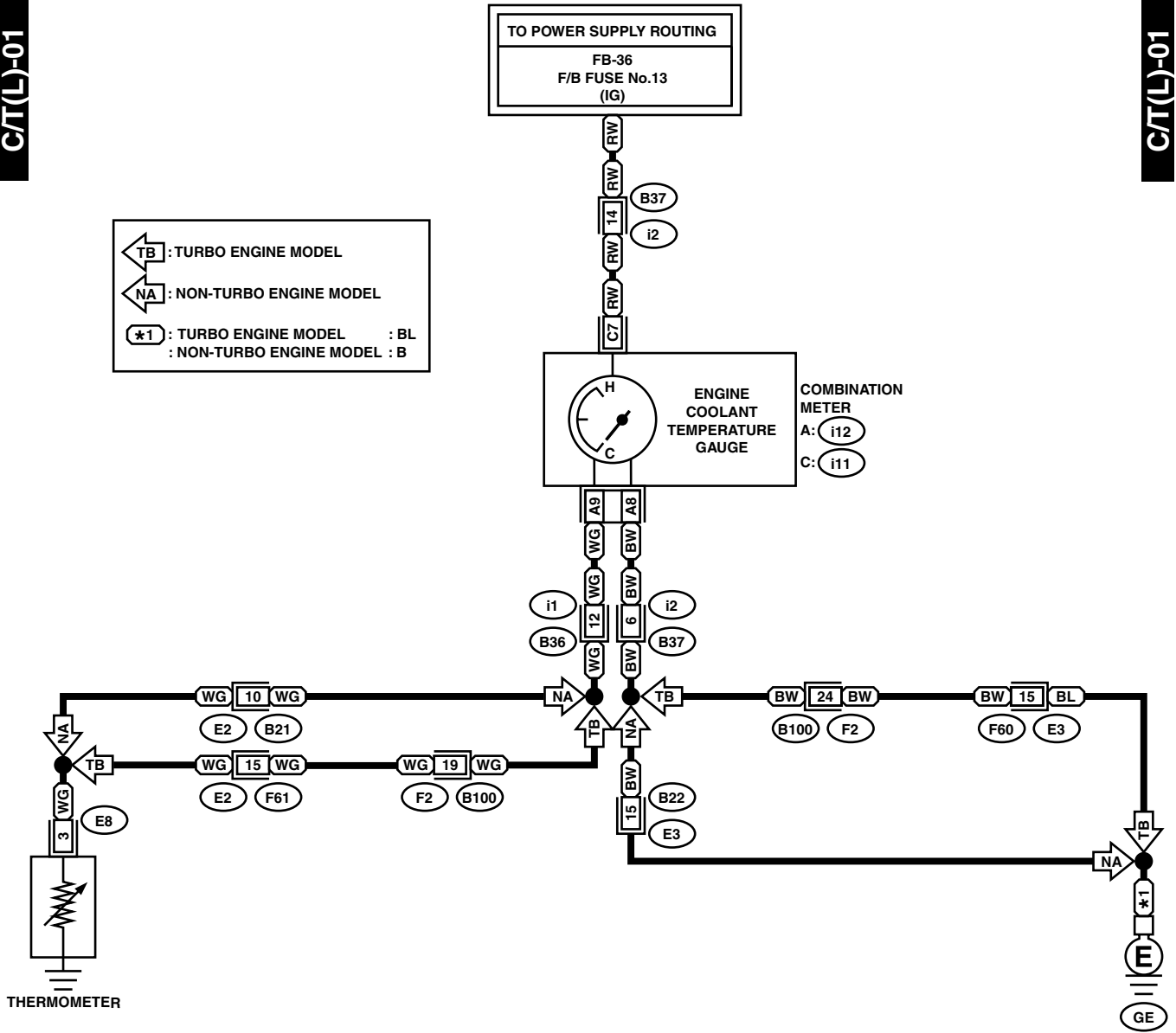
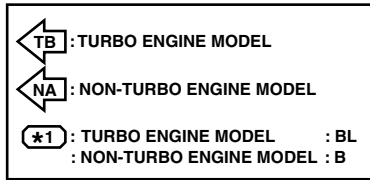
## 13.Engine Coolant Temperature Gauge System

### A: WIRING DIAGRAM

#### 1. LHD MODEL

C/Π(L)-01

C/Π(L)-01



WI-04546

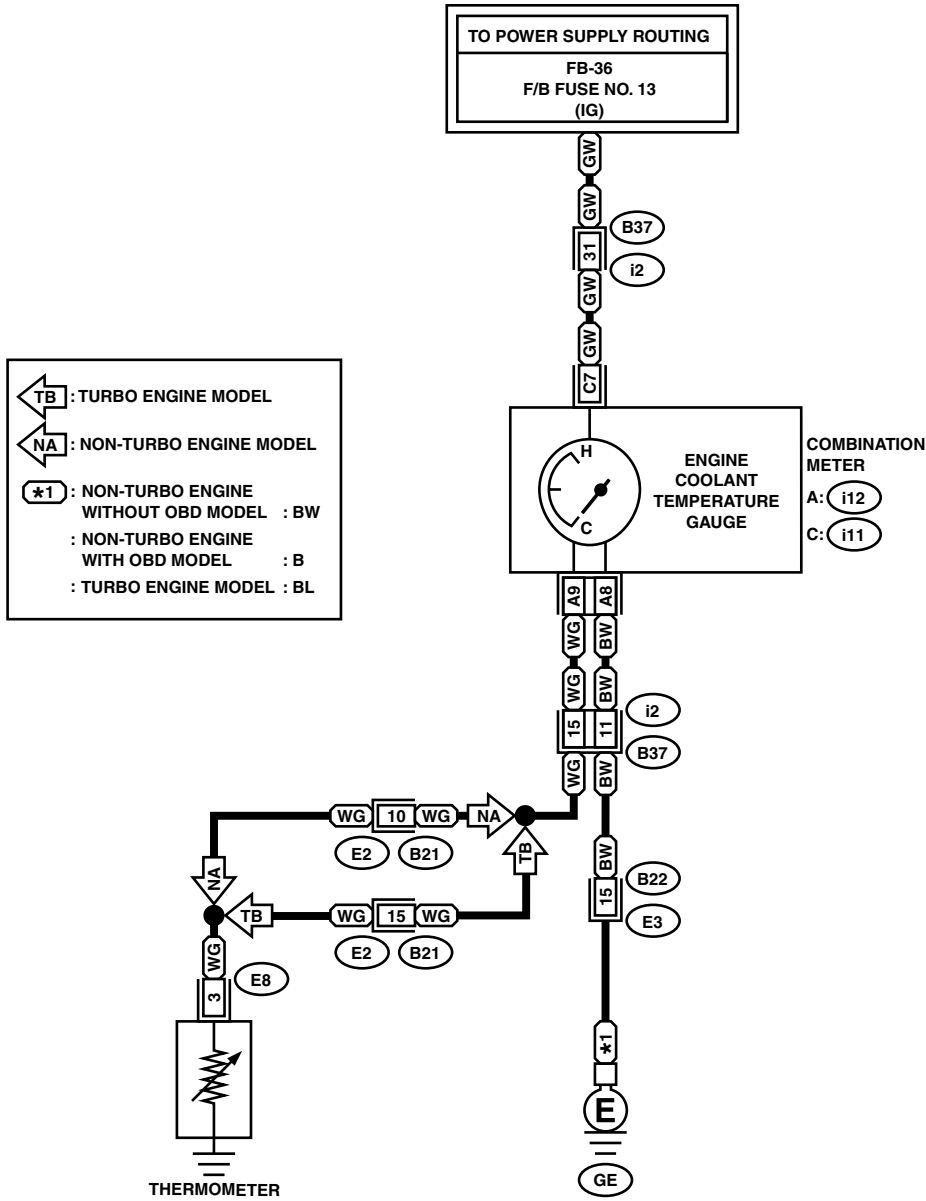
# Engine Coolant Temperature Gauge System

WIRING SYSTEM

## 2. RHD MODEL

C/T(R)-01

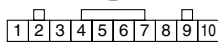
C/T(R)-01



E8 (LIGHT GRAY)



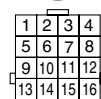
C: i11 (GREEN)



A: i12 (GREEN)

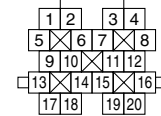


B22 (BROWN)

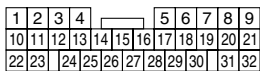


B21 NA : (LIGHT GRAY)

TB : (BLACK)



i2



WI-02306